

# **PARTS CATALOG**

## **OFFSET DISK HARROW**

**GAPCR 18/20/24/28/30D**

**Code: 0501091169**



**Series: S-0412**

**Rev.: 00**

**Date Rev.: JANEIRO/2019**

**ORIGINAL PARTS  
TATU**



# PRODUCTS

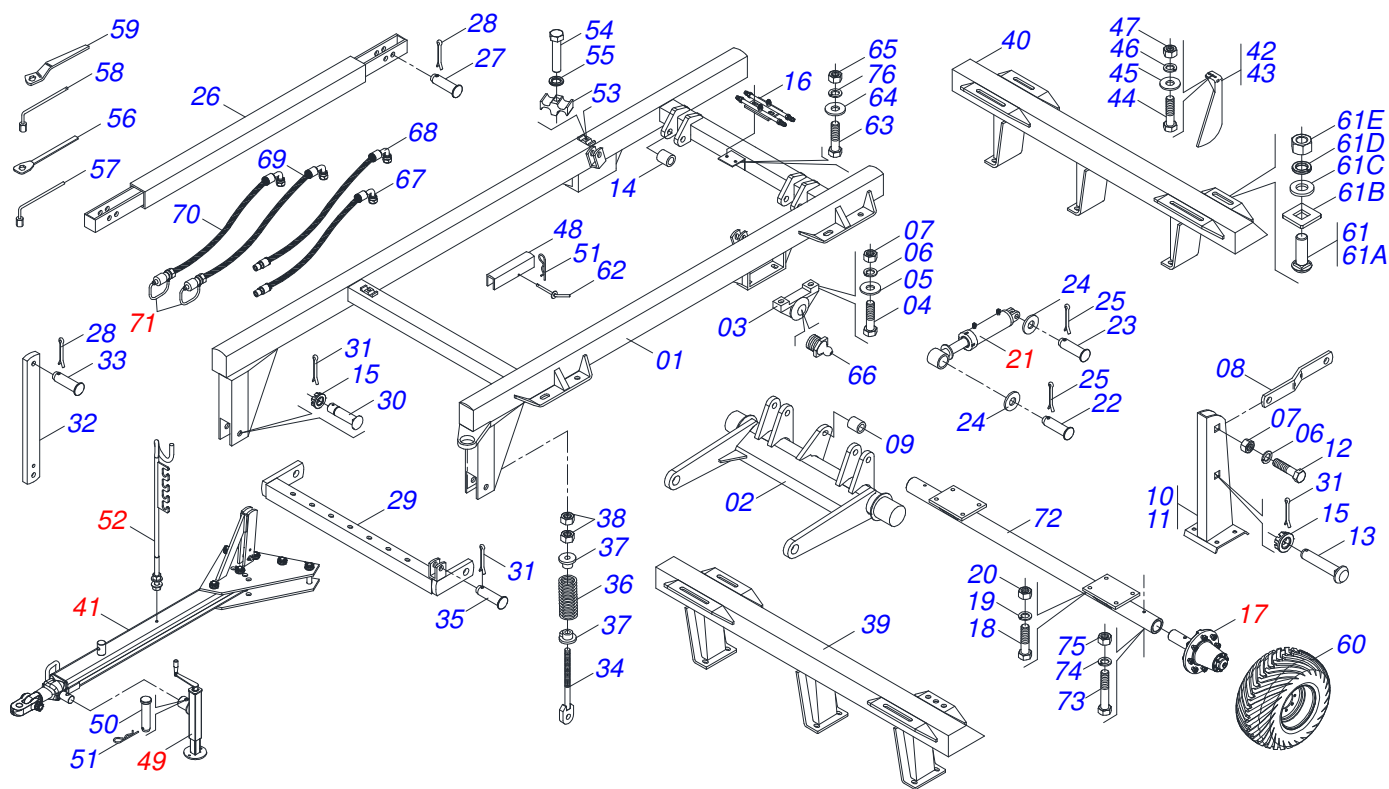
Code	Description
0102060198	GAPCR 18X32X9,00 DM PN400/60 S-0412
0102060199	GAPCR 20X32X9,00DMRS PN400/60 S0412
0102060200	GAPCR 24X32X9,00DMRS PN400/60 S0412
0102060207	GAPCR 24X34X9,00DMRS PN400/60 S0412
0102060201	GAPCR 28X32X9,00DMRS PN400/60 S0412
0102060202	GAPCR 30X32X9,00DMRS PN400/60 S0412

## ATTENTION: **IMPORTANT**

MARCHESAN S/A RESERVES THE RIGHT AT ANY TIME TO MAKE IMPROVEMENTS IN THE DESIGN, MATERIAL OR SPECIFICATIONS OF MACHINERY, EQUIPMENT OR PARTS WITHOUT THEREBY BECOMING LIABLE TO MAKE SIMILAR CHANGES IN MACHINERY, EQUIPMENT OR PARTS PREVIOUSLY SOLD.

# INDEX

0909095043	ASSY FRAME 18/20/24/28/30D	.....	1
0501051885	CARRYING-WHEELS	.....	2
0511059181	HYDRAULIC CYLINDER 50,8 X 127 X 515 X 243	.....	3
0511041570	DRAWBAR ASSY 3" GASPCR12/16	.....	4
0511048088	DRAWBAR JACK	.....	5
0501040257	3/4 X 1200 HOSE HOLDER A	.....	6
0501053834	MALE QUICK COUPLING AGRICULTURAL WITH COVER - 1/2 NPT	.....	7
0909095045		.....	8
0501046926	330MM X 2-1/8" RD. OIL BATH BEARING	.....	9

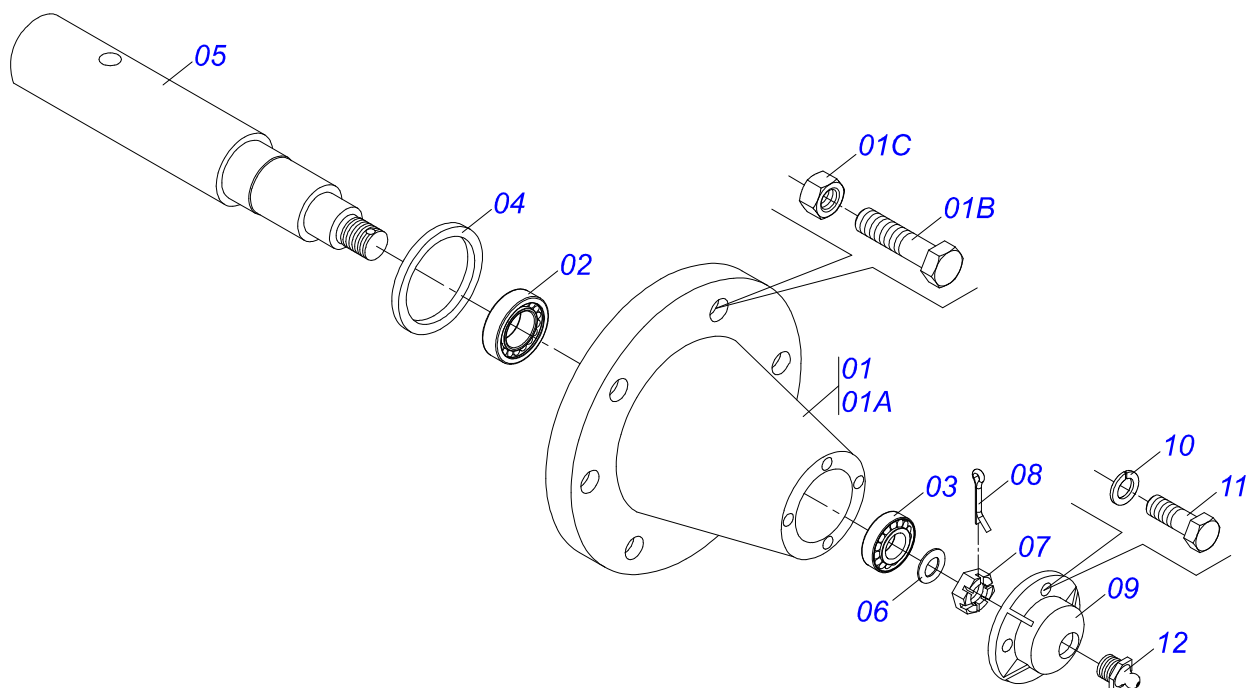


Item	Code	Description	18	20	24	28	30
01	0501067249	CENTER FRAME	01	01	01	01	01
02	0501067244	CARRYING-WHEELS	01	01	01	01	01
03	0502010972	ARTICULACION BEARING	02	02	02	02	02
04	0503011432	1" X 4" BOLT	06	06	06	06	06
05	0501010065	1" SPRING WASHER	04	04	04	04	04
06	0503011438	SPRING WASHER	12	12	12	12	12
07	0501010059	1.5/8 NUT	08	08	08	08	08
08	0501110404	SUPPORT BAR	02	02	02	02	02
09	0511019921	1.3" X 0.1" X 1" SLEEVE	02	02	02	02	02
10	0501068260	RIGHT SUSPENSION TOWER	01	01	01	01	01
11	0501068261	LEFT SUSPENSION TOWER	01	01	01	01	01
12	0511017974	1 U BOLT OF THE SUSPENSION TOWER	02	02	02	02	02
13	0511018006	1-1/2 X 4.13" U BOLT OF SUSP TOWER	02	02	02	02	02
14	0521010737	2" X 1.5" X 1.4" SLEEVE	06	06	06	06	06
15	0501011301	1.1/2 UNC 6FPP 2.5/16 NUT	09	09	09	09	09
16	0501068706	DOUBLE CONNECTION	01	01	01	01	01
17	0501051885	CARRYING-WHEELS	02	02	02	02	02
18	0501010098	HEX BOLT 3/4 UNC X 2 C S G.5 ZN	08	08	08	08	08
19	0503011442	3/4" SPRING WASHER	08	08	08	08	08
20	0503010014	3/4" NUT	08	08	08	08	08
21	0511059181	HYDRAULIC CYLINDER 50,8 X 127 X 515 X 243	02	02	02	02	02
22	0521010547	1.2" X 6.5" COUPLING SHAFT	02	02	02	02	02
23	0511010174	1.2" X 5.9" COUPLING SHAFT	02	02	02	02	02
24	0501017779	FLAT WASHER	04	04	04	04	04
25	0503010523	1/4" X 2" COTTERPIN	07	07	07	07	07
26	0501067243	STABILIZER BAR	01	01	01	01	01
27	0521010575	C0.9" X 3.3" COUPLING SHAFT	02	02	02	02	02
28	0503010571	1/4" X 1.1/2 COTTERPIN	04	04	04	04	04
29	0501067241	OFFSET BAR	01	01	01	01	01
30	0521812052	PIVOT SHAFT	02	02	02	02	02
31	0503010534	3/8 X 2-1/2 COTTERPIN	02	02	02	02	02

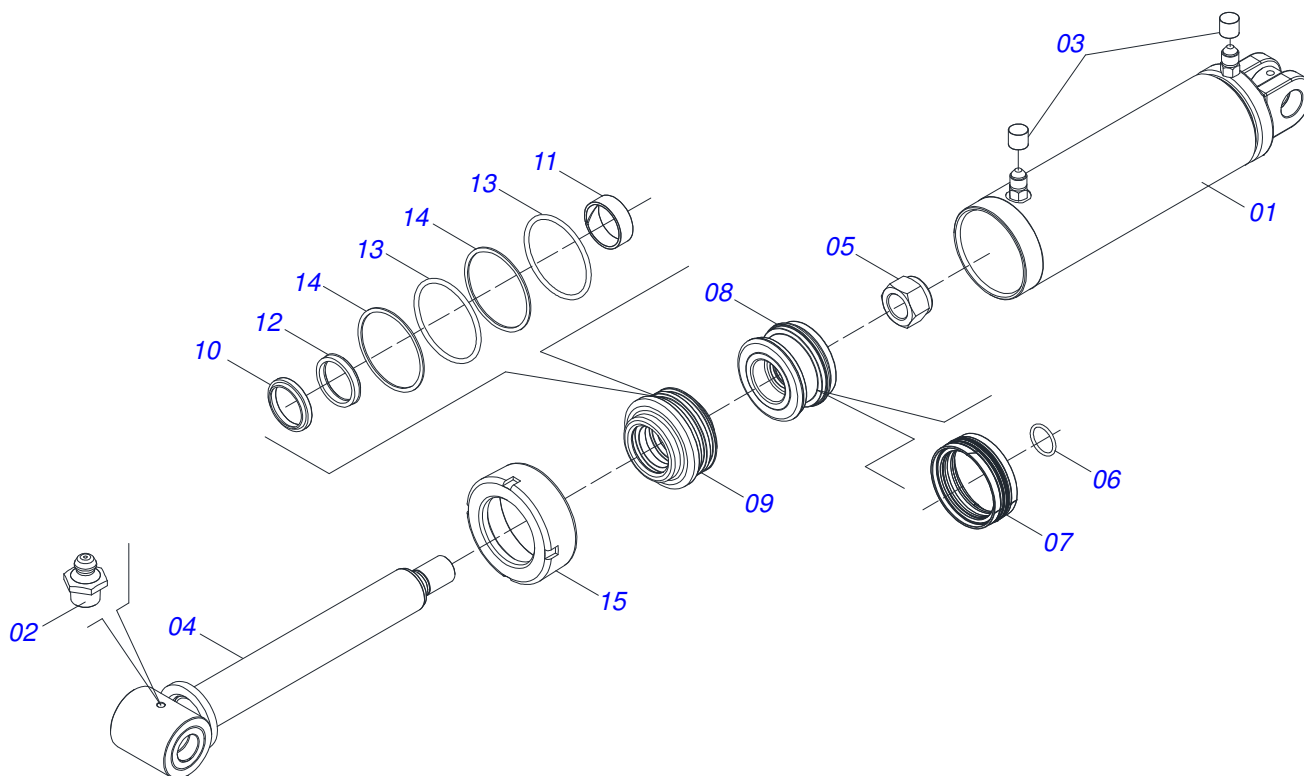


**GAPCR 18/20/24/28/30D**  
**ASSY FRAME 18/20/24/28/30D**

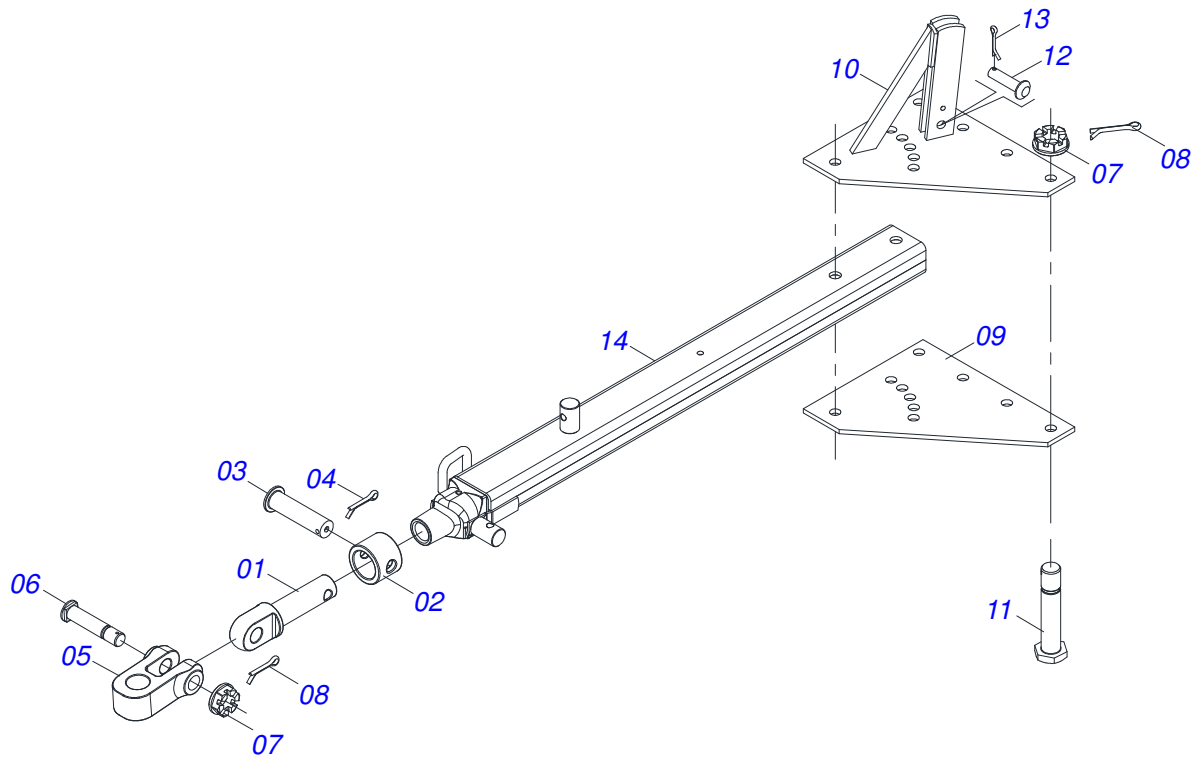
Item	Code	Description	18	20	24	28	30
32	0511016121	STABILIZER BAR TOWER	01	01	01	01	01
33	0521810575	COUPLING SHAFT	02	02	02	02	02
34	0501066362	SPRING ROD	01	01	01	01	01
35	0521010592	1.1" X 3.1" COUPLING SHAFT	01	01	01	01	01
36	0503031341	2.7 X 8 X 0.5 COMPRESSION SPRING	01	01	01	01	01
37	0502020394	SPRING SUPPORT	02	02	02	02	02
38	0501010087	1.1/4" NUT	02	02	02	02	02
39	0501060488	106.15" FRONT FRAME	01	00	00	00	00
39.	0501060489	129.14" FRONT FRAME	00	01	00	00	00
39..	0501060490	155.5" FRONT FRAME	00	00	01	00	00
39...	0501068572	182.3" FRONT FRAME	00	00	00	01	00
39....	0501063647	197" FRONT FRAME	00	00	00	00	01
40	0501060492	116" REAR FRAME	01	00	00	00	00
40.	0501060493	127" REAR FRAME	00	01	00	00	00
40..	0501060494	155" REAR FRAME	00	00	01	00	00
40...	0501068573	182" REAR FRAME	00	00	00	01	00
40....	0501063648	REAR FRAME	00	00	00	00	01
41	0511041570	DRAWBAR ASSY 3" GASPCR12/16	01	01	01	01	01
42	0501060423	FRONT SCRAPER	09	10	12	14	15
43	0501060424	REAR SCRAPER	09	10	12	14	15
44	0503010233	5/8" X 2-1/2" BOLT	18	20	24	28	30
45	0501012140	FLAT WASHER	18	20	24	28	30
46	0503010027	SPRING WASHER	18	20	24	28	30
47	0503010013	5/8" NUT	18	20	24	28	30
48	0501066386	TRANSPORT LOCK 9.54"	02	02	02	02	02
49	0511048088	DRAWBAR JACK	01	01	01	01	01
50	0561014251	COUPLING SHAFT	01	01	01	01	01
51	0503030168	HAIR PIN	02	02	02	02	02
52	0501040257	3/4 X 1200 HOSE HOLDER A	01	01	01	01	01
53	0502012702	BODY SUPPORT CLAMP	02	02	02	02	02
54	0503012555	7/16" X 2" BOLT	03	03	03	03	03
55	0503010180	7/16" SPRING WASHER	03	03	03	03	03
56	0501061044	2-1/8" AND 2-1/2" CABLE FLAT WRENCH	01	01	01	01	01
57	0501061045	1" WRENCH CYLINDRICAL	01	01	01	01	01
58	0503016137	1-1/4" WRENCH CABLE CYLINDRICAL	01	01	01	01	01
59	0501011432	1-1/2" AND 1-5/8 GANG BOLT WRENCH	01	01	01	01	01
60	0503060102	WHEEL AND TIRE	04	04	04	04	04
61	0501041102	1-1/4" X 3-3/4" ASSY BOLT	08	08	08	08	08
61A	0501015348	1-1/4" X 3-3/4" BOLT	08	08	08	08	08
61B	0501010953	1-1/4" SQUARE WASHER	08	08	08	08	08
61C	0531010713	FLAT WASHER	08	08	08	08	08
61D	0503010070	SPRING WASHER	08	08	08	08	08
61E	0501010087	1.1/4" NUT	08	08	08	08	08
62	0501068994	0.3" X 3.1" LOCK PIN	02	02	02	02	02
63	0503010237	3/8" X 1" BOLT	02	02	02	02	02
64	0501010984	FLAT WASHER	02	02	02	02	02
65	0503010026	3/8" NUT	00	02	02	02	02
66	0503010002	1800 GREASE FITTING	05	05	05	05	05
67	0501080054	3/8" X 17" TR-TC HOSE ASSY	02	02	02	02	02
68	0501080413	3/8" X 27" TR-TC HOSE ASSY	02	02	02	02	02
69	0501080458	3/8" X 315" TC-TM HOSE ASSY	01	01	01	01	01
70	0501080459	3/8" X 322" TC-TM HOSE ASSY	01	01	01	01	01
71	0501053834	MALE QUICK COUPLING AGRICULTURAL WITH COVER - 1/2 NPT	02	02	02	02	02
72	0511069623	WHEEL SISTEM FIXER	02	02	02	02	02
73	0503010706	1/2" X 4.1/2" BOLT	02	02	02	02	02
74	0503010019	1/2" SPRING WASHER	02	02	02	02	02
75	0503010060	1/2" NUT	02	02	02	02	02
76	0503010025	3/8 SPRING WASHER	02	02	02	02	02



Item	Code	Description	QT
01	0501110738	CARRYING WHEEL HUB	01
01A	0502012260	CAIXA RODADO TRANSPORTE GCRO 2240	01
01B	0501010186	PARAFUSO ROD 5/8UNF X 2.1/8CR	08
01C	0503010064	5/8 UNF CONIC NUT	08
02	0503011156	ROLAMENTO 2780/2720 IMP	01
03	0503010008	ROLAMENTO 3780/37203	01
04	0503013314	RETENTOR 5166-GB 63,5 X 110 X 13 ARCA	01
05	0511012494	SPINDLE	01
06	0511012492	ARRUELA LISA 28 X 46 X 6,30	01
07	0503030009	1" CASTLE NUT	01
08	0503010018	5/32 X 1-1/2 COTTERPIN	01
09	0502020591	PROTECCION COVER	01
10	0503011444	SPRING WASHER	04
11	0503010358	5/16" X 5/8" BOLT	04
12	0503010002	1800 GREASE FITTING	01

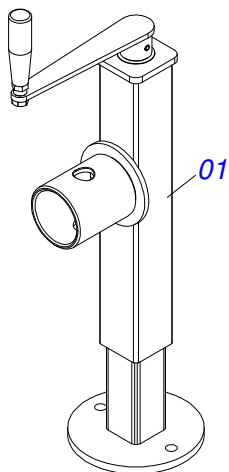


Item	Code	Description	QT
001	0501067256	4" X 16" CYLINDER CASE	01
002	0503010002	1800 GREASE FITTING	02
003	0503030385	CYLINDER PLUG N-002	02
004	0521066345	50,80 X 452 TURNBUCLE	01
005	0503010817	1-1/4" SELF-ADJUSTING NUT	01
006	0503010345	2-218 N 3006-9B O-RING	01
007	0503015633	SELEMASTER SEALING	01
008	0502012842	50,80 X 101,60 PISTON	01
009	0581010678	50,80 X 101 RING SUPPORT	01
010	0503015636	SCRAPER SEAL	01
011	0503018025	RING GUIDE	01
012	0503018026	1870-2000-375 B GASKET	01
013	0503010338	2-342 N 3006-9B O-RING	02
014	0503011061	8-342 BACK-UP RING	02
015	0502012822	101,60 MOBILE COVER	01

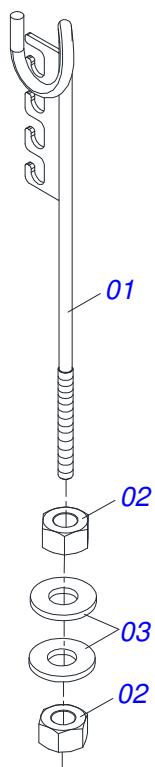


Item	Code	Description	QT
001	0502040223	DRAWBOLT	01
002	0502040327	ANEL TRAVA ENGATE	01
003	0511014902	COUPLING SHAFT	01
004	0503010571	1/4" X 1.1/2 COTTERPIN	01
005	1902040733	U COUPLING HOOK	01
006	0521012545	COUPLING SHAFT	01
007	0501011301	1.1/2 UNC 6FPP 2.5/16 NUT	07
008	0503010010	1/4" X 2.1/2" COTTERPIN	07
009	0511016137	UPPER /LOWER PLATE	01
010	0501067250	UPPER PLATE WITH SUPPORT	01
011	0501016419	1-1/2" X 7.5" BOLT	06
012	0521010779	COUPLING SHAFT	01
013	0503010523	1/4" X 2" COTTERPIN	01
014	0501069323	DRAWBAR ASSY	01

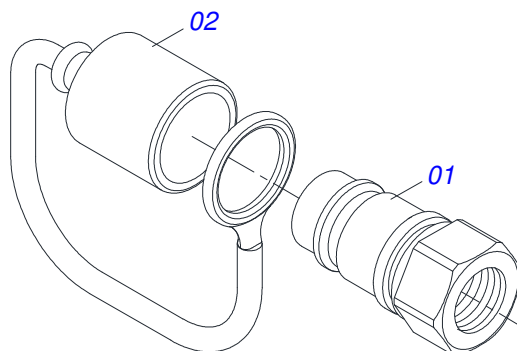




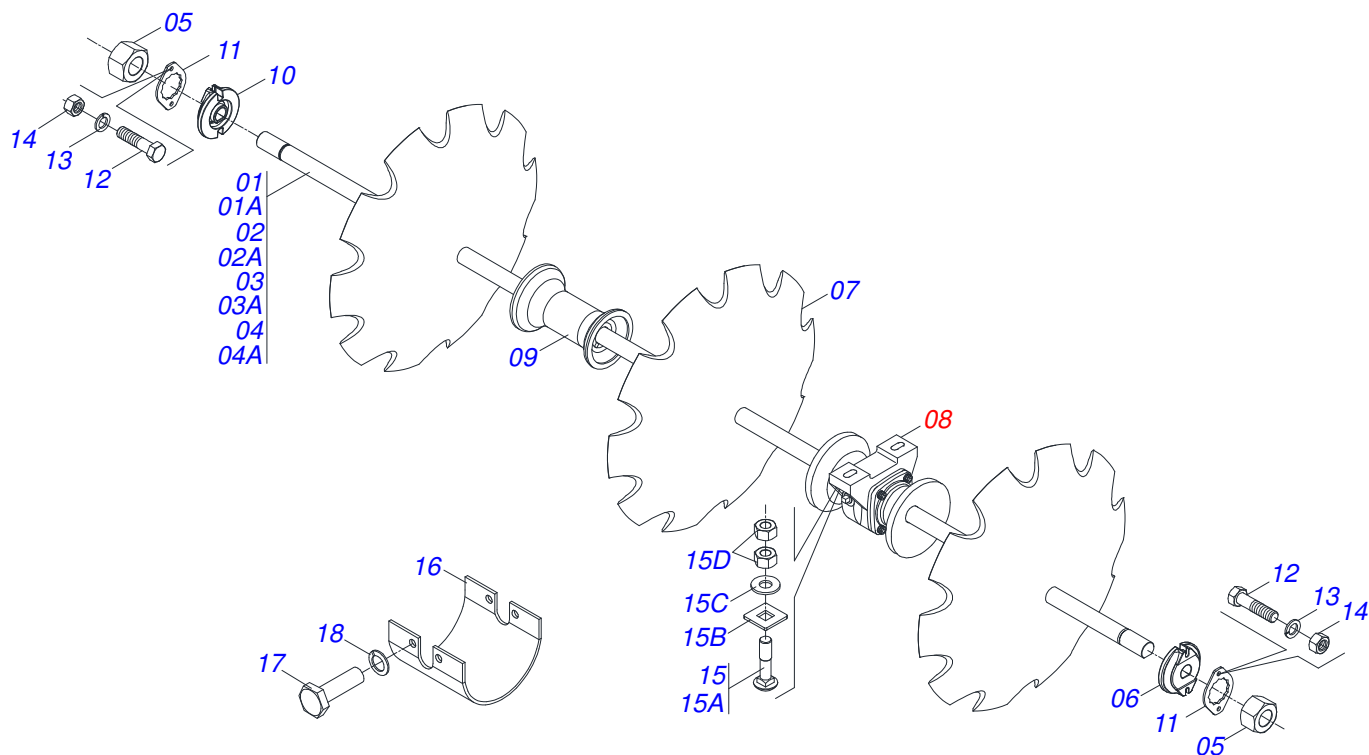
Item	Code	Description	QT
01	0503062227	DRAWBAR JACK	01



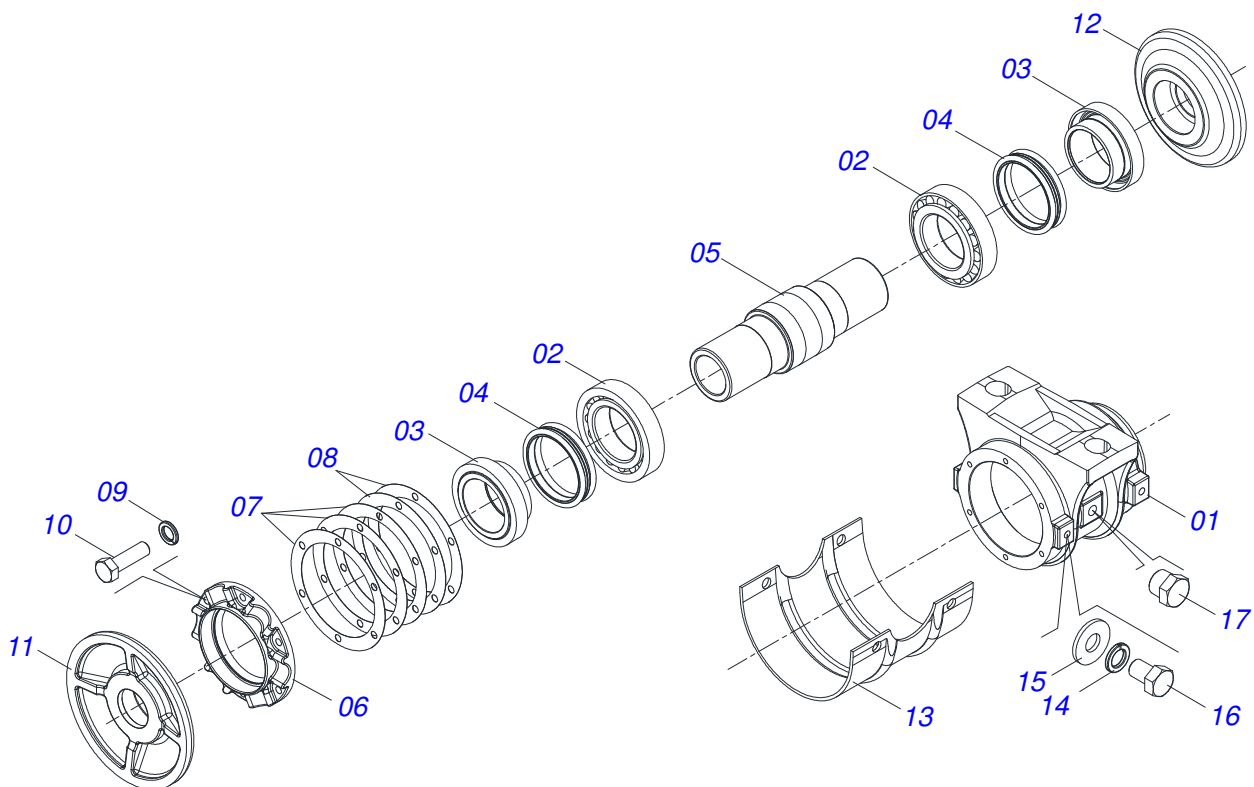
Item	Code	Description	QT
01	0511067334	HOSE SOPPORT ASSY	01
02	0503010014	3/4" NUT	02
03	0501010322	FLAT WASHER	02



Item	Code	Description	QT
01	0503011627	QUICK CONNECTION (MALE) AGR 1/2 NPT	01
02	0503011882	QUICK CONNECTION COVER	01



Item	Code	Description	18	20	24	28	30
01	0501041516	2-1/8" X 49" AXLE WITH NUTS	02	00	00	00	00
01A	0501013757	2-1/8" X 49" AXLE	02	00	00	00	00
02	0501041497	2-1/8 X 63" AXLE WITH NUTS	02	04	00	00	06
02A	0501013758	2-1/8" X 63" AXLE	02	04	00	00	06
03	0511042123	2-1/8" X 76" AXLE WITH NUTS	00	00	04	00	00
03A	0501013759	2-1/8" X 76" AXLE	00	00	04	00	00
04	0501041514	2-1/8" X 8.9" AXLE WITH NUTS	00	00	00	04	00
04A	0501013760	2-1/8" X 8.9" AXLE	00	00	00	04	00
05	0502040063	2.1/8" X 54 99 NUT	08	08	08	08	12
06	0502010594	2-1/8" EXTERNAL AXLE WASHER	02	04	04	04	06
07	0602046013	34" X 0.3" NOTCHED DISC BLADE	00	00	24	00	00
07.	0602040001	30" X 0.3" NOTCHED DISC BLADE	18	20	24	28	30
08	0501046926	330MM X 2-1/8" RD. OIL BATH BEARING	08	08	08	08	12
09	0502010643	13" 2-1/8" SPACER	06	08	12	12	12
10	0502010595	2-1/8" INNER AXLE WASHER	04	04	04	04	06
11	0501010348	2-1/8"TO 2-1/2" NUT LOCK	08	08	08	08	12
12	0503010232	5/8" X 1.3/4" BOLT	16	16	16	16	24
13	0503010027	SPRING WASHER	16	16	16	16	24
14	0503010013	5/8" NUT	16	16	16	16	24
15	0501042139	1" X 4.3" ASSY BOLT	16	16	16	16	24
15A	0501010952	1" X 4.3" BOLT	16	16	16	16	24
15B	0501010951	1" SQUARE WASHER	16	16	16	16	24
15C	0501011445	FLAT WASHER	16	16	16	16	24
15D	0501010059	1.5/8 NUT	32	32	32	32	48
16	0511013169	PROTECTION COVER BEARING	08	08	08	08	12
17	0503010834	1/2 X 1 BOLT	32	32	32	32	48
18	0503010019	1/2" SPRING WASHER	32	32	32	32	48



Item	Code	Description	QT
001	0502010742	HOUSING DM	01
002	0503010117	32216 ROLLER BEARING	02
003	0502040123	SEAL RETAINER	02
004	0503030028	JB-257 SEAL	02
005	0502040034	BEARING AXLE	01
006	0502010645	HOUSING CAP DM	01
007	0503030536	7.1" X 5.5" X 0.01" JOINT	03
008	0503030686	7.1" X 5.5" X 0.004" JOINT	02
009	0503011443	SPRING WASHER	06
010	0503010751	C3/8" X 1.1/4" HEX BOLT G.5	06
011	0502040260	OUTER FLANGE	01
012	0502040261	INNER FLANGE	01
013	0511013169	PROTECTION COVER BEARING	01
014	0503010019	1/2" SPRING WASHER	04
015	0511017302	FLAT WASHER	04
016	0503011401	1/2" X 3/4" BOLT	04
017	0503010856	OIL PLUG	02





**MARCHESAN IMPLEMENTOS E MÁQUINAS AGRÍCOLAS TATU S.A.**

AV. Marchesan, 1979 - Post office box, 131 - CEP 15994-900 - Matão - SP - Brazil

Phone +55 16.3382-8282

(FAX Parts) + 55 16.3382. 8297 - (Export) + 55 16.3382.1003

e.mail: [tatu@marchesan.com.br](mailto:tatu@marchesan.com.br) [www.marchesan.com.br](http://www.marchesan.com.br)

**Technical Publications: Elaboration**

JOSÉ DOMINGOS GASPARI

**Technical Publications: Revision**

MARINA PEREZ NIZA

*Contact Catálogo:*

*E-mail = [jgaspari@marchesan.com.br](mailto:jgaspari@marchesan.com.br)*

**ORIGINAL PARTS  
TATU**

