

OFFSET DISK HARROW

GAICR 300 - 14/16/18/20/22/24/26D - AXIS 1.3/4"

Code: 0501091165
Series: S-0703
Revision: 00
Date Revision: JULHO/2022

PARTS CATALOGUE



MARCHESAN



PRODUCTS

Code	Description
0102460001	GAICR 300 14 X 26 X 6,00 CM S-0703
0102460019	GAICR 300 14 X 26 X 6,00 DM S-0703
0102460109	GAICR 300 14 X 28 X 6,0 DM RDF S703
0102460002	GAICR 300 14 X 28 X 6,00 CM S-0703
0102460020	GAICR 300 14 X 28 X 6,00 DM S-0703
0102460108	GAICR 300 14 X 28 X 6,00 DM PN750 S703
0102460003	GAICR 300 14 X 28 X 7,50 CM S-0703
0102460021	GAICR 300 14 X 28 X 7,50 DM S-0703
0102460128	GAICR 300 14 X 28 X 7,5DMPN750 S703
0102460043	GAICR 300 14 X 30 X 7,50 CM S-0703
0102460050	GAICR 300 14 X 30 X 7,50 DM S-0703
0102460106	GAICR 300 14 X 30 X 7,50 DM S/PNEU
0102460124	GAICR 300 14 X 30 X 7,50DM RDF S703
0102460125	GAICR 300 14X28X6,00 DMO S-0703
0102460004	GAICR 300 16 X 26 X 6,00 CM S-0703
0102460022	GAICR 300 16 X 26 X 6,00 DM S-0703
0102460110	GAICR 300 16 X 28 X 6,0 DM RDF S703
0102460005	GAICR 300 16 X 28 X 6,00 CM S-0703
0102460023	GAICR 300 16 X 28 X 6,00 DM S-0703
0102460006	GAICR 300 16 X 28 X 7,50 CM S-0703
0102460024C	GAICR 300 16 X 28 X 7,50 DM EXP S-0703
0102460024	GAICR 300 16 X 28 X 7,50 DM S-0703
0102460131	GAICR 300 16 X 28 X 7,50 DM PN11L15 S-0703
0102460146	GAICR 300 16 X 30 X 7,50 CM S-0703
0102460044	GAICR 300 16 X 30 X 7,50 CM S-0703
0102460051	GAICR 300 16 X 30 X 7,50 DM S-0703
0102460136	GAICR 300 16 X 30 X 7,50 DM PN11L15 S-0703
0102460111	GAICR 300 16 X 30 X 9,00 DM S-0703
0102460222	GAICR 300 16X30X7,5 DR DMO E 1.3/4 S-0703
0102460007	GAICR 300 18 X 26 X 6,00 CM S-0703

ATTENTION: IMPORTANT

Marchesan S.A. reserves the right to improve and/or modify the technical features of its products, without obligation to do the same with those products already sold and without prior knowledge of the dealer or the consumer. The photos are only illustrative.



PRODUCTS

0102460025	GAICR 300 18 X 26 X 6,00 DM S-0703
0102460008	GAICR 300 18 X 28 X 6,00 CM S-0703
0102460026	GAICR 300 18 X 28 X 6,00 DM S-0703
0102460026C	GAICR 300 18 X 28 X 6,00 DM EXP S-0703
0102460138	GAICR 300 18 X 28 X 6,00 DM PN11L15 S-0703
0102460009	GAICR 300 18 X 28 X 7,50 CM S-0703
0102460027	GAICR 300 18 X 28 X 7,50 DM S-0703
0102460121	GAICR 300 18 X 28 X 7,50 DMO S-0703
0102460045	GAICR 300 18 X 30 X 7,50 CM S-0703
0102460052	GAICR 300 18 X 30 X 7,50 DM S-0703
0102460115	GAICR 300 18 X 30 X 9,0 DM S-0703
0102460010	GAICR 300 20 X 26 X 6,00 CM S-0703
0102460028C	GAICR 300 20 X 26 X 6,00 DM EXP S-0703
0102460028	GAICR 300 20 X 26 X 6,00 DM S-0703
0102460011	GAICR 300 20 X 28 X 6,00 CM S-0703
0102460029	GAICR 300 20 X 28 X 6,00 DM S-0703
0102460012	GAICR 300 20 X 28 X 7,50 CM S-0703
0102460030C	GAICR 300 20 X 28 X 7,50 DM EXP S-0703
0102460030	GAICR 300 20 X 28 X 7,50 DM S-0703
0102460046	GAICR 300 20 X 30 X 7,50 CM S-0703
0102460053	GAICR 300 20 X 30 X 7,50 DM S-0703
0102460105	GAICR 300 20 X 30 X 9,00 DM S-0703
0102460134	GAICR 300 20X30X7,50 DM DR 11L15 S-0703
0102460013	GAICR 300 22 X 26 X 6,00 CM S-0703
0102460031	GAICR 300 22 X 26 X 6,00 DM S-0703
0102460014	GAICR 300 22 X 28 X 6,00 CM S-0703
0102460032	GAICR 300 22 X 28 X 6,00 DM S-0703
0102460015	GAICR 300 22 X 28 X 7,50 CM S-0703
0102460033	GAICR 300 22 X 28 X 7,50 DM S-0703
0102460047	GAICR 300 22 X 30 X 7,50 CM S-0703
0102460133	GAICR 300 22 X 30 X 7,50 DM PN11L15 S-0703

ATTENTION: IMPORTANT

Marchesan S.A. reserves the right to improve and/or modify the technical features of its products, without obligation to do the same with those products already sold and without prior knowledge of the dealer or the consumer. The photos are only illustrative.



PRODUCTS

0102460054	GAICR 300 22 X 30 X 7,50 DM S-0703
0102460016	GAICR 300 24 X 26 X 6,00 CM S-0703
0102460034	GAICR 300 24 X 26 X 6,00 DM S-0703
0102460017	GAICR 300 24 X 28 X 6,00 CM S-0703
0102460035	GAICR 300 24 X 28 X 6,00 DM S-0703
0102460018	GAICR 300 24 X 28 X 7,50 CM S-0703
0102460036C	GAICR 300 24 X 28 X 7,50 DM EXP S-0703
0102460036	GAICR 300 24 X 28 X 7,50 DM S-0703
0102460048	GAICR 300 24 X 30 X 7,50 CM S-0703
0102460055C	GAICR 300 24 X 30 X 7,50 DM EXP S-0703
0102460055	GAICR 300 24 X 30 X 7,50 DM S-0703
0102460127	GAICR 300 24X28X7,50 CM MT S-0703
0102460122	GAICR 300 24X30X7,50 DM PN 11L15 S-0703
0102460037	GAICR 300 26 X 26 X 6,00 CM S-0703
0102460040	GAICR 300 26 X 26 X 6,00 DM S-0703
0102460038	GAICR 300 26 X 28 X 6,00 CM S-0703
0102460041	GAICR 300 26 X 28 X 6,00 DM S-0703
0102460039	GAICR 300 26 X 28 X 7,50 CM S-0703
0102460042	GAICR 300 26 X 28 X 7,50 DM S-0703
0102460042C	GAICR 300 26 X 28 X 7,50 DM EXP S-0703
0102460135	GAICR 300 26 X 30 X 7,50 DM PN11L15 S-0703
0102460049	GAICR 300 26 X 30 X 7,50 CM S-0703
0102460056	GAICR 300 26 X 30 X 7,50 DM S-0703
0102460112	GAICR 300 26X28X7,50DM PN11L15 S703

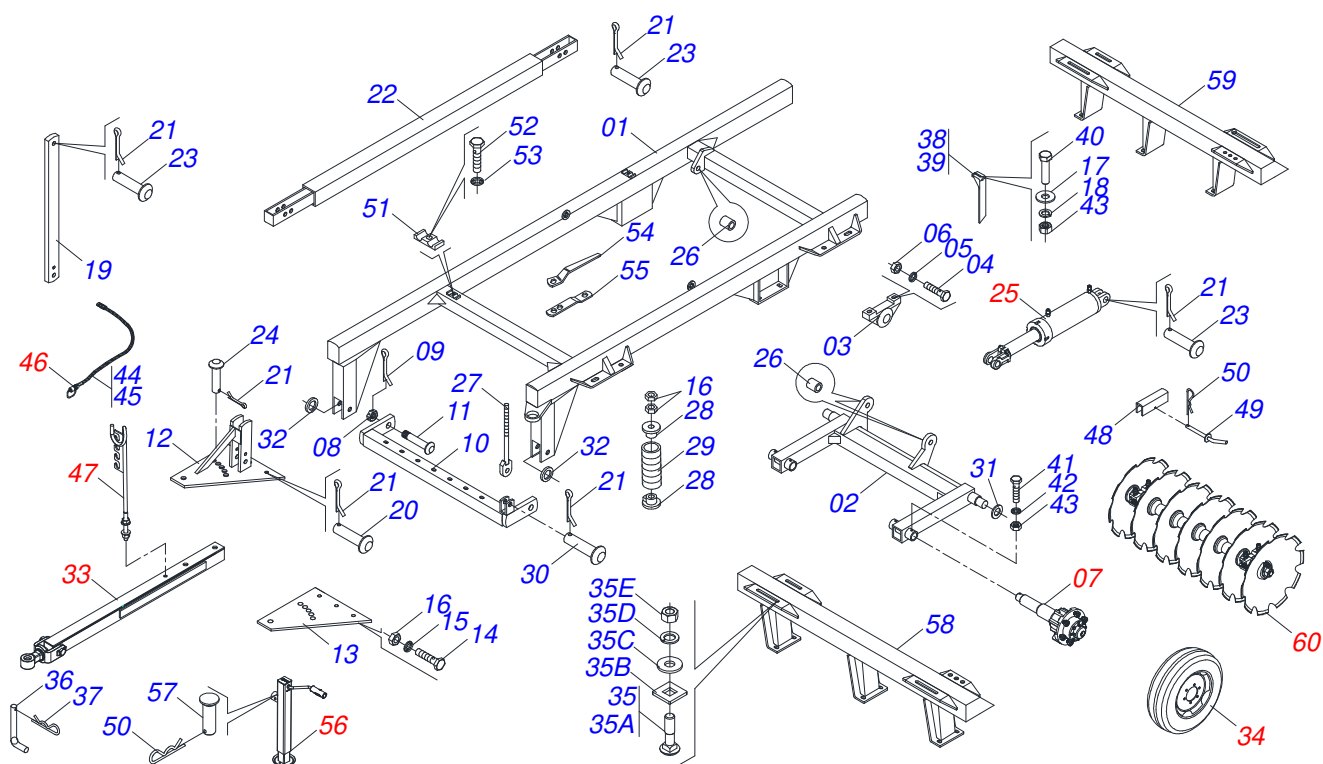
ATTENTION: IMPORTANT

Marchesan S.A. reserves the right to improve and/or modify the technical features of its products, without obligation to do the same with those products already sold and without prior knowledge of the dealer or the consumer. The photos are only illustrative.



INDEX

0909091365	ASSY FRAME - 14D	1
0909091126	ASSY FRAME - 16/18D	2
0909091127	ASSY FRAME - 20/22/24/26D	3
0501051634	TSTUB SHAFT & HUB ASSY	4
0501054931	STUB SHAFT & HUB	5
0501051142	CARRYING WHEEL HUB	6
0511058298	HYDRAULIC CYLINDER 44,45 X 85,7 X 515 X 203	7
0511059180	HYDRAULIC CYLINDER 50,80 X 101,60 X 515 X 203	8
0501048420	HYDRAULIC CYLINDER	9
0501044359	DRAWBAR ASSY	10
0521053943	HITCH WITH ASSY ROTULA SUPPORT	11
0501041096	DRAWBAR ASSY	12
0521048502	ASSY TRACTION BAR	13
0521057520	HITCH ASSY	14
0503060091	L29.5"X0.63"-10L WHEEL AND	15
0503060181	WHEEL AND TIRE	16
0503011360	HOSE KIT	17
0501053834	MALE QUICK COUPLER	18
0501040257	3/4 X 1200 HOSE HOLDER A	19
0503062157	HEADER JACK	20
0909091396	GANG DISC 14/16/18/20/22/24/26D	21
0511042130	AGRICULTURAL BEARING	22
0511042128	AGRICULTURAL BEARING	23
0521040965	AGRICULTURAL BEARING	24
0511052021	BEARING DMO 292 1.3/4"	25



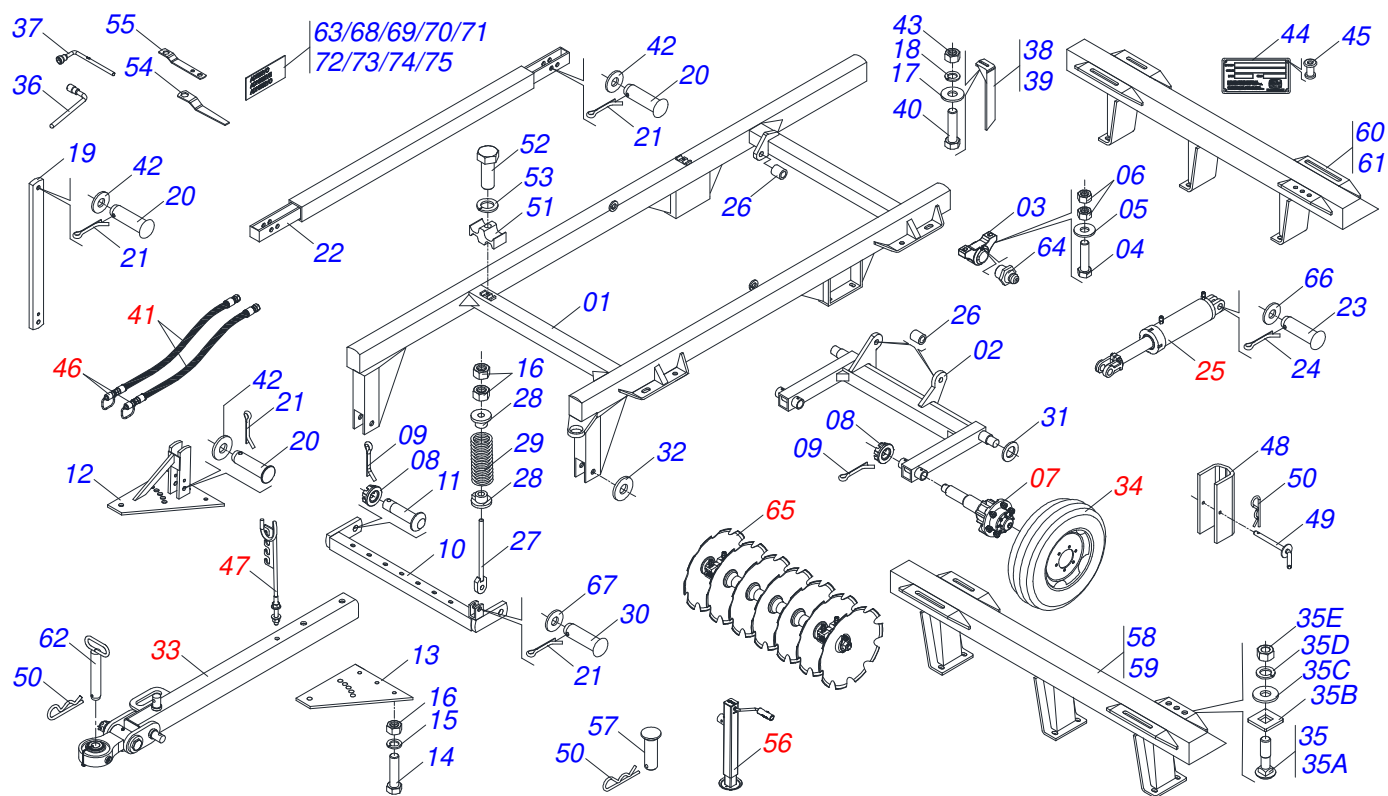
Item	Code	Description	See page	QT
01	0511066917	FRAME 12 TO 16		01
02	0501066950	CARRYING-WHEELS		01
03	0502010006	ARTICULACION BEARING		02
04	0503010797	3/4" X 4" BOLT		04
05	0501010322	FLAT WASHER		04
06	0503010014	3/4" NUT		08
07	0501051634	TSTUB SHAFT & HUB ASSY	4	01
08	0501011301	1.1/2 UNC 6FPP 2.5/16 NUT		03
09	0503010010	1/4" X 2.1/2" COTTERPIN		03
10	0501060370	OFFSET BAR		01
11	0521017538	11-1/2" X 5" COUPLING SHAFT		02
12	0501066099	UPPER PLATE WITH SUPPORT		01
13	0501010241	UPPER /LOWER PLATE		01
14	0503011198	C3/4" X 6" SCREW		03
15	0503011442	3/4" SPRING WASHER		04
16	0503010014	3/4" NUT		04
17	0511017302	FLAT WASHER		32
18	0503010019	1/2" SPRING WASHER		32
19	0511012972	TSTABILIZER BAR TOWER		01
20	0521010576	0.9" X 3.7" COUPLING SHAFT		01
21	0503010571	1/4" X 1.1/2 COTTERPIN		06
22	0511066932	STABILIZER BAR		01
23	0521010575	C0.9" X 3.3" COUPLING SHAFT		03
24	0521012534	0.9" X 6.1" AXLE		01
25	0511058298	HYDRAULIC CYLINDER 44,45 X 85,7 X 515 X 203	7	01
26	0511019920	SLEEVE 32,70 X 38,80 X 25,40		03
27	0501064698	SPRING ROD		01
28	0502020392	SPRING SUPPORT		02
29	0503030441	12.7" X 5.7" X 0.5"SPRING		01
30	0521010592	1.1" X 3.1" COUPLING SHAFT		01
31	0501017579	FLAT WASHER		02



ASSY FRAME - 14D

0909091365

Item	Code	Description	See page	QT
32	0511019880	FLAT WASHER		02
33	0501044359	DRAWBAR ASSY	10	01
33.	0501041096	DRAWBAR ASSY	12	01
34	0503060091	L29.5"X0.63"-10L WHEEL AND	15	02
34.	0503060181	WHEEL AND TIRE	16	02
35	0501040877	C1" X 3-1/4" ASSY BOLT		08
35A	0501010171	BOLT 1 UNC X 3.1/2 C S G.5		01
35B	0502012861	1" SQUARE WASHER		01
35C	0501010065	1" SPRING WASHER		01
35D	0503010012	1" SPRING WASHER		01
35E	0501010059	1.5/8 NUT		01
36	0521010453	AXI SHAFT		01
37	0503031035	HITCH PIN CLIP		01
38	0501064168	REAR SCRAPER		04
39	0501064167	REAR SCRAPER		04
40	0503010740	BOLT 1/2 UNC X 2 CS G.5 ZN		08
41	0503010547	1/2" X 4" BOLT		02
42	0503010019	1/2" SPRING WASHER		10
43	0503010060	1/2" NUT		10
44	0501080443	3/8 X 6000 TR-TM HOSE		01
45	0501080421	3/8" X 230" TR-TM HOSE ASS		01
46	0501053834	MALE QUICK COUPLER	18	02
47	0501040257	3/4 X 1200 HOSE HOLDER A	19	01
48	0511010839	TRANSPORT LOCK 7.9" X 2.1" X 0.4"		01
49	0501068994	8,30 X 78 LOCK PIN		01
50	0503030168	HITCH PIN CLIP		02
51	0502012702	BODY SUPPORT CLAMP		02
52	0503012555	SCREW 7/16 UNC X 2 CS RT G.7 ZN		02
53	0503010180	7/16" SPRING WASHER		02
54	0501011431	1-3/4" GANG BOLT WRENCH		02
55	0511018451	5/8" X 3/4" X 1" UNIVERSAL		01
56	0503062157	HEADER JACK	20	01
57	0521010549	COUPLING SHAFT		01
58	0511064954	FRONT FRAME		01
59	0511064955	REAR FRAME		01
60	0909091396	GANG DISC 14/16/18/20/22/24/26D	21	01



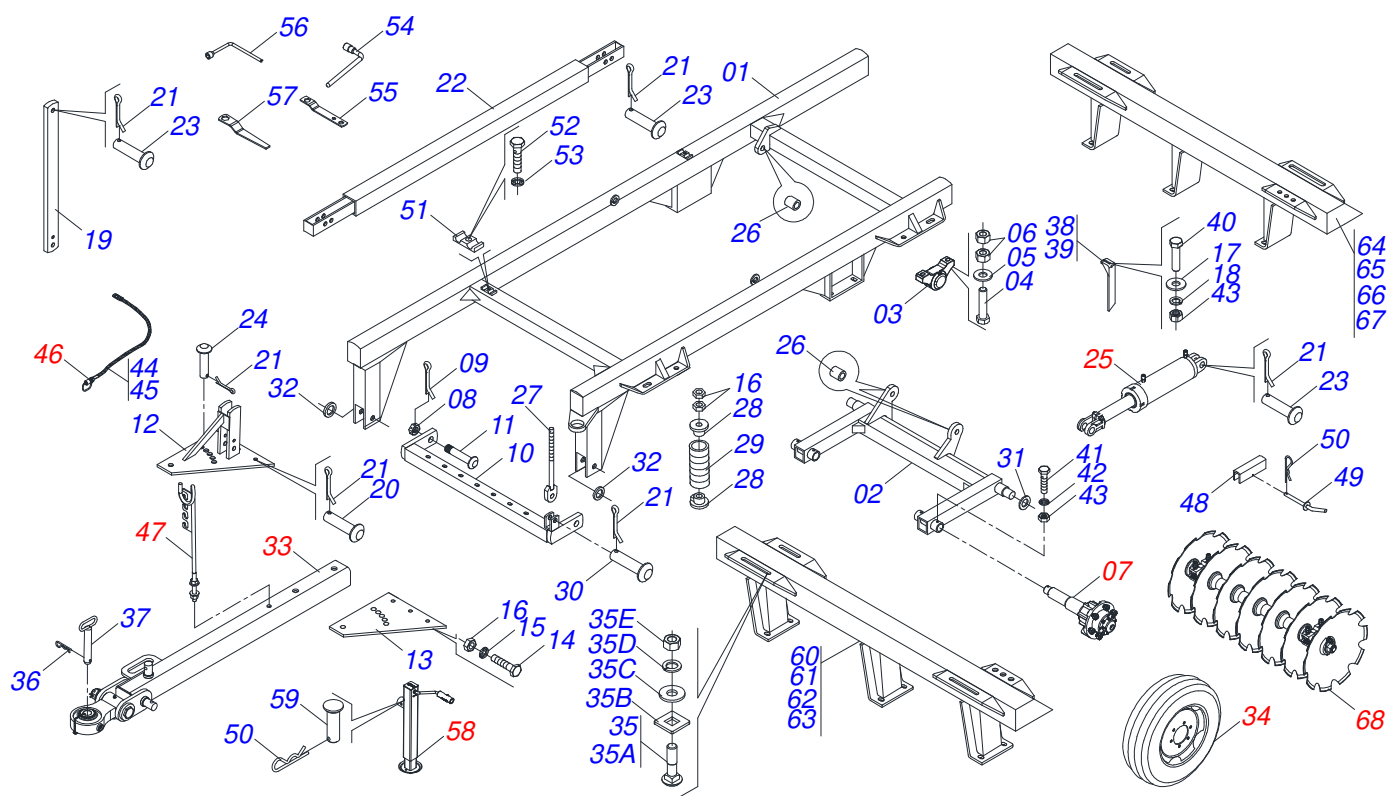
Item	Code	Description	See page	16	18
01	0501065574	FRAME		01	01
02	0501065518	CARRYING-WHEELS		01	01
03	0501110856	ARTICULACION BEARING		02	02
04	0503010797	3/4" X 4" BOLT		04	04
05	0501010322	FLAT WASHER		04	04
06	0503010014	3/4" NUT		08	08
07	0501051634	TSTUB SHAFT & HUB ASSY	4	02	02
08	0501011301	1.1/2 UNC 6FPP 2.5/16 NUT		03	03
09	0503010010	1/4" X 2.1/2" COTTERPIN		03	03
10	0501066262	OFFSET BAR		01	01
11	0521817538	COUPLING SHAFT		02	02
12	0501066235	UPPER PLATE WITH SUPPORT		01	01
13	0511013000	UPPER /LOWER PLATE		01	01
14	0501010334	1" X 7" BOLT		05	05
15	0503011438	SPRING WASHER		05	05
16	0501010059	1.5/8 NUT		05	05
17	0511017302	FLAT WASHER		16	16
18	0503010019	1/2" SPRING WASHER		16	16
19	0511012972	TSTABILIZER BAR TOWER		01	01
20	0521810576	COUPLING SHAFT		03	03
21	0503010571	1/4" X 1.1/2 COTTERPIN		04	04
22	0511066932	STABILIZER BAR		01	01
23	0521810779	AXIS JUNCTION 31.75 X 95 HOLE 80 SA ATCR		02	02
24	0503010523	1/4" X 2" COTTERPIN		02	02
25	0511059180	HYDRAULIC CYLINDER 50,80 X 101,60 X 515 X 203	8	01	01
26	0511019920	SLEEVE 32,70 X 38,80 X 25,40		03	03
27	0501064698	SPRING ROD		01	01
28	0502020392	SPRING SUPPORT		02	02
29	0503030441	12.7" X 5.7" X 0.5"SPRING		01	01
30	0521810592	COUPLING SHAFT		01	01
31	0501017579	FLAT WASHER		02	02



ASSY FRAME - 16/18D

0909091126

Item	Code	Description	See page	16	18
32	0511019880	FLAT WASHER		02	02
33	0521048502	ASSY TRACTION BAR	13	01	01
34	0503060091	L29.5"X0.63"-10L WHEEL AND	15	02	02
34.	0503060181	WHEEL AND TIRE	16	02	02
35	0501040877	C1" X 3-1/4" ASSY BOLT		08	08
35A	0501010171	BOLT 1 UNC X 3.1/2 C S G.5		08	08
35B	0502012861	1" SQUARE WASHER		08	08
35C	0501010065	1" SPRING WASHER		08	08
35D	0503010012	1" SPRING WASHER		08	08
35E	0501010059	1.5/8 NUT		08	08
36	0503018438	1" WRENCH CYLINDRICAL HEX		01	01
37	0501061617	1" GANG BOLT WRENCH		01	01
38	0501064168	REAR SCRAPER		04	05
39	0501064167	REAR SCRAPER		04	05
40	0503011082	C1/2" X 1.3/4" SCREW		16	10
41	0503011360	HOSE KIT	17	01	01
42	0501011445	FLAT WASHER		03	03
43	0503010060	1/2" NUT		16	12
44	0503034003	SERIAL NUMBER TAG 61 X 118		01	01
45	0503010001	3.2 X 5.5 RIVET		04	04
46	0501053834	MALE QUICK COUPLER	18	02	02
47	0501040257	3/4 X 1200 HOSE HOLDER A	19	01	01
48	0511010839	TRANSPORT LOCK 7.9" X 2.1" X 0.4"		01	01
49	0501068994	8,30 X 78 LOCK PIN		01	01
50	0503030168	HITCH PIN CLIP		02	02
51	0502012702	BODY SUPPORT CLAMP		02	02
52	0503012555	SCREW 7/16 UNC X 2 CS RT G.7 ZN		02	02
53	0503010180	7/16" SPRING WASHER		02	02
54	0501011431	1-3/4" GANG BOLT WRENCH		02	02
55	0511018451	5/8" X 3/4" X 1" UNIVERSAL		01	01
56	0503062157	HEADER JACK	20	01	01
57	0521010549	COUPLING SHAFT		01	01
58	0511064956	FRONT FRAME		01	00
59	0511064958	FRONT FRAME		00	01
60	0511064957	REAR FRAME		01	00
61	0511064959	REAR FRAME		00	01
62	0501069080	COUPLING SHAFT		01	01
63	0503060824	ASSY STICKER		01	01
64	0503010002	1800 GREASE FITTING		02	02
65	0909091396	GANG DISC 14/16/18/20/22/24/26D	21	01	01
66	0501017779	32 X 60 X 4.75 FLAT WASHER		02	02
67	0561011883	FLAT WASHER		01	01
68	0503031827	LUBRICATE AND RETIGHTEN DAILY DECAL		01	01
69	0503031428	READ MANUAL DECAL		01	01
70	0503031087	ADHESIVE LABEL		01	01
71	0503034499	HOSE IDENTIFICATION DECAL		01	01
72	0503034078	LIFTING POINTS DECAL		04	04
73	0503033038	DANGER SIGN		01	01
74	0503031738	ADHESIVE LABEL		01	01
75	0503031739	ADHESIVE LABEL		01	01



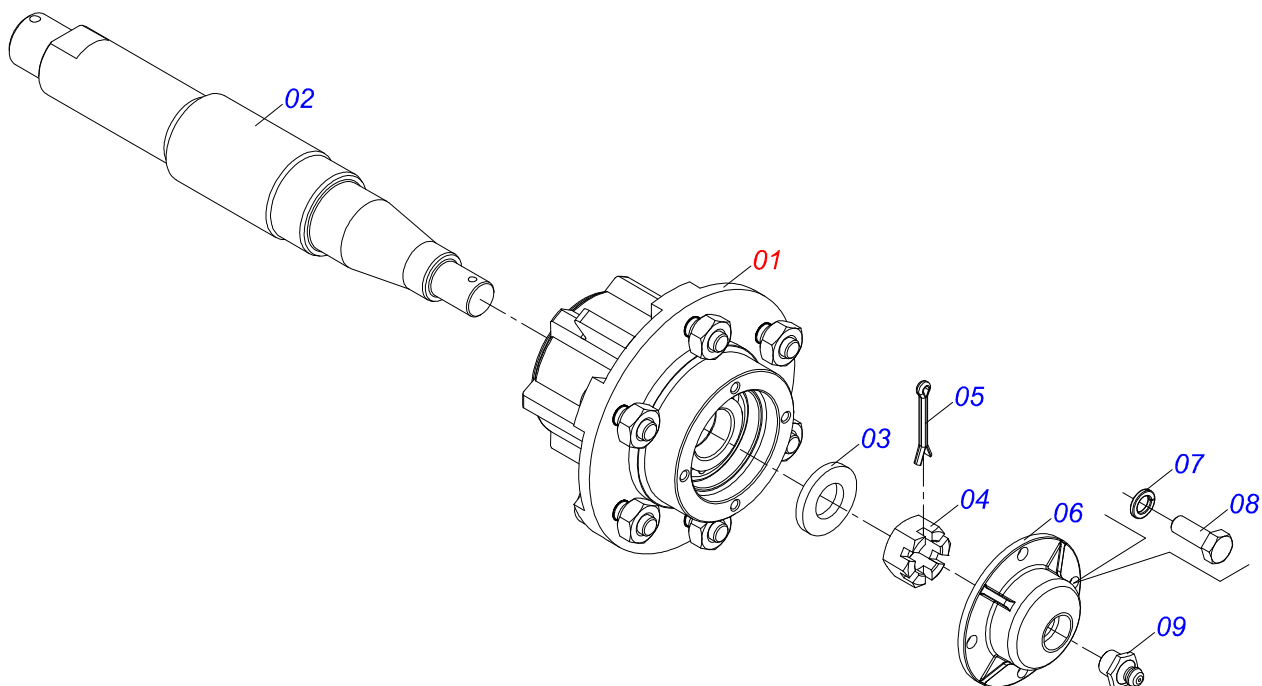
Item	Code	Description	See page	20	22	24	26
01	0501064754	FRAME		01	01	01	01
02	0501065518	CARRYING-WHEELS		01	01	01	01
03	0502010006	ARTICULACION BEARING		02	02	02	02
04	0503010797	3/4" X 4" BOLT		04	04	04	04
05	0501010322	FLAT WASHER		04	04	04	04
06	0503010014	3/4" NUT		08	08	08	08
07	0501054931	STUB SHAFT & HUB	5	02	02	02	02
08	0501011301	1.1/2 UNC 6FPP 2.5/16 NUT		03	03	03	03
09	0503010010	1/4" X 2.1/2" COTTERPIN		03	03	03	03
10	0501066262	OFFSET BAR		01	01	01	01
11	0521017538	11-1/2" X 5" COUPLING SHAFT		02	02	02	02
12	0501066235	UPPER PLATE WITH SUPPORT		01	01	01	01
13	0511013000	UPPER /LOWER PLATE		01	01	01	01
14	0501010334	1" X 7" BOLT		04	04	04	04
15	0503011438	SPRING WASHER		12	12	12	12
16	0501010059	1.5/8 NUT		12	12	12	12
17	0511017302	FLAT WASHER		32	32	32	32
18	0503010019	1/2" SPRING WASHER		32	32	32	32
19	0511012972	TSTABILIZER BAR TOWER		01	01	01	01
20	0521010576	0.9" X 3.7" COUPLING SHAFT		01	01	01	01
21	0503010571	1/4" X 1.1/2 COTTERPIN		32	32	32	32
22	0511066932	STABILIZER BAR		01	01	01	01
23	0521010575	C0.9" X 3.3" COUPLING SHAFT		03	03	03	03
24	0521012534	0.9" X 6.1" AXLE		01	01	01	01
25	0501048420	HYDRAULIC CYLINDER	9	01	01	01	01
26	0511019920	SLEEVE 32,70 X 38,80 X 25,40		03	03	03	03
27	0501064698	SPRING ROD		01	01	01	01
28	0502020392	SPRING SUPPORT		02	02	02	02
29	0503030441	12.7" X 5.7" X 0.5"SPRING		01	01	01	01
30	0521010592	1.1" X 3.1" COUPLING SHAFT		01	01	01	01
31	0501017579	FLAT WASHER		02	02	02	02



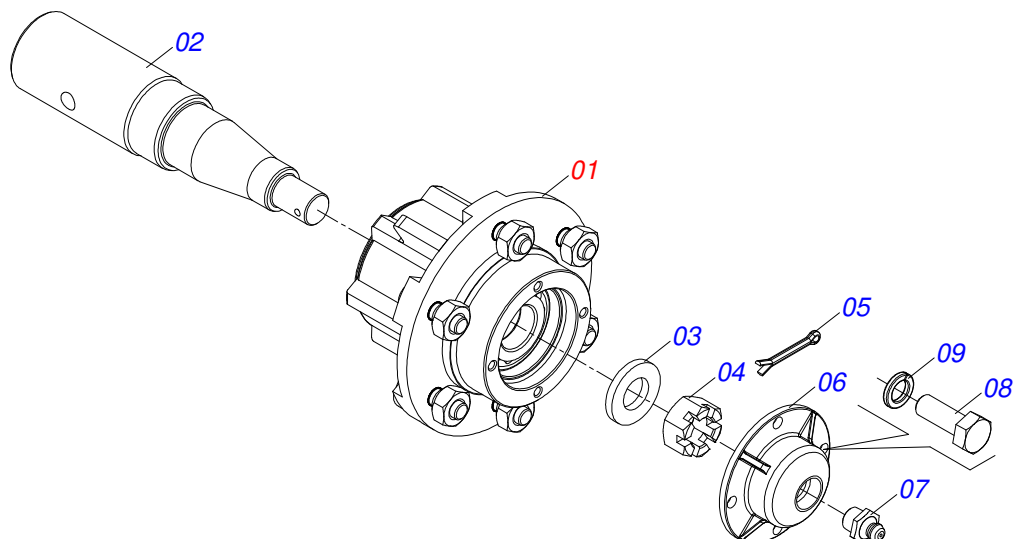
ASSY FRAME - 20/22/24/26D

0909091127

Item	Code	Description	See page	20	22	24	26
32	0511019880	FLAT WASHER		02	02	02	02
33	0521048502	ASSY TRACTION BAR	13	01	01	01	01
34	0503060091	L29.5"X0.63"-10L WHEEL AND	15	02	02	02	02
34.	0503060181	WHEEL AND TIRE	16	02	02	02	02
35	0501040877	C1" X 3-1/4" ASSY BOLT		08	08	08	08
35A	0501010171	BOLT 1 UNC X 3.1/2 C S G.5		08	08	08	08
35B	0502012861	1" SQUARE WASHER		08	08	08	08
35C	0501010065	1" SPRING WASHER		08	08	08	08
35D	0503010012	1" SPRING WASHER		08	08	08	08
35E	0501010059	1.5/8 NUT		08	08	08	08
36	0503031035	HITCH PIN CLIP		01	01	01	01
37	0501069080	COUPLING SHAFT		01	01	01	01
38	0501064168	REAR SCRAPER		06	07	08	09
39	0501064167	REAR SCRAPER		06	07	08	09
40	0503010740	BOLT 1/2 UNC X 2 CS G.5 ZN		14	16	18	20
41	0503010547	1/2" X 4" BOLT		02	02	02	02
42	0503010019	1/2" SPRING WASHER		14	16	18	20
43	0503010060	1/2" NUT		14	16	18	20
44	0501080443	3/8 X 6000 TR-TM HOSE		01	01	01	01
45	0501080421	3/8" X 230" TR-TM HOSE ASS		01	01	01	01
46	0501053834	MALE QUICK COUPLER	18	02	02	02	02
47	0501040257	3/4 X 1200 HOSE HOLDER A	19	01	01	01	01
48	0511010839	TRANSPORT LOCK 7.9" X 2.1" X 0.4"		01	01	01	01
49	0501068994	8,30 X 78 LOCK PIN		01	01	01	01
50	0503030168	HITCH PIN CLIP		02	02	02	02
51	0502012702	BODY SUPPORT CLAMP		02	02	02	02
52	0503012555	SCREW 7/16 UNC X 2 CS RT G.7 ZN		02	02	02	02
53	0503010180	7/16" SPRING WASHER		02	02	02	02
54	0503018438	1" WRENCH CYLINDRICAL HEX		01	01	01	01
55	0501061617	1" GANG BOLT WRENCH		01	01	01	01
56	0501011431	1-3/4" GANG BOLT WRENCH		02	02	02	02
57	0511018451	5/8" X 3/4" X 1" UNIVERSAL		01	01	01	01
58	0503062157	HEADER JACK	20	01	01	01	01
59	0521010549	COUPLING SHAFT		01	01	01	01
60	0511064960	FRONT FRAME		01	00	00	00
61	0511064962	FRONT FRAME		00	01	00	00
62	0511064964	FRONT FRAME		00	00	01	00
63	0511064966	FRONT FRAME		00	00	00	01
64	0511064961	REAR FRAME		01	00	00	00
65	0511064963	REAR FRAME		00	01	00	00
66	0511064965	REAR FRAME		00	00	01	00
67	0511064967	REAR FRAME		00	00	00	01
68	0909091396	GANG DISC 14/16/18/20/22/24/26D	21	01	01	01	01

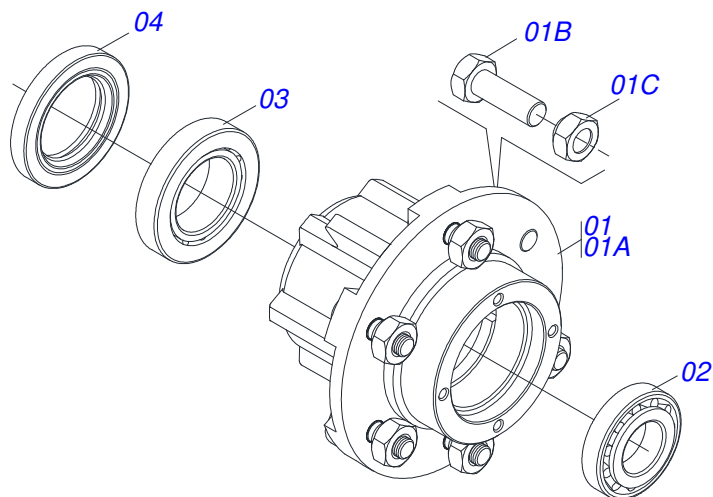


Item	Code	Description	See page	QT
01	0501051142	CARRYING WHEEL HUB	6	01
02	0521010821	2.5" X 16.5" AXLE		01
03	0501016545	FLAT WASHER		01
04	0503030009	1" CASTLE NUT		01
05	0503010018	5/32 X 1-1/2 COTTERPIN		01
06	0502020591	PROTECCION COVER		01
07	0503011444	SPRING WASHER		04
08	0503010358	5/16" X 5/8" BOLT		04
09	0503010002	1800 GREASE FITTING		01

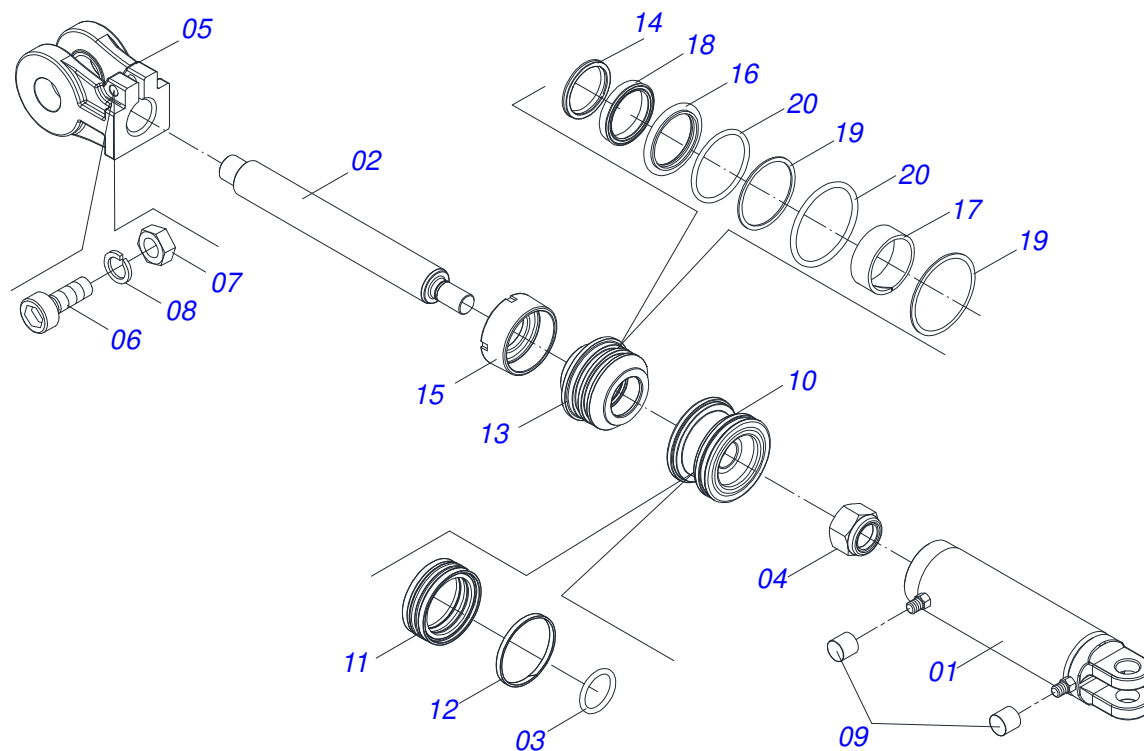


Item	Code	Description	See page	QT
01	0501051142	CARRYING WHEEL HUB	6	01
02	0541010739	2.5" X 12.2" AXLE		01
03	0501016545	FLAT WASHER		01
04	0503030009	1" CASTLE NUT		01
05	0503010018	5/32 X 1-1/2 COTTERPIN		01
06	0502020591	PROTECCION COVER		01
07	0503010002	1800 GREASE FITTING		01
08	0503010358	5/16" X 5/8" BOLT		04
09	0503011444	SPRING WASHER		04

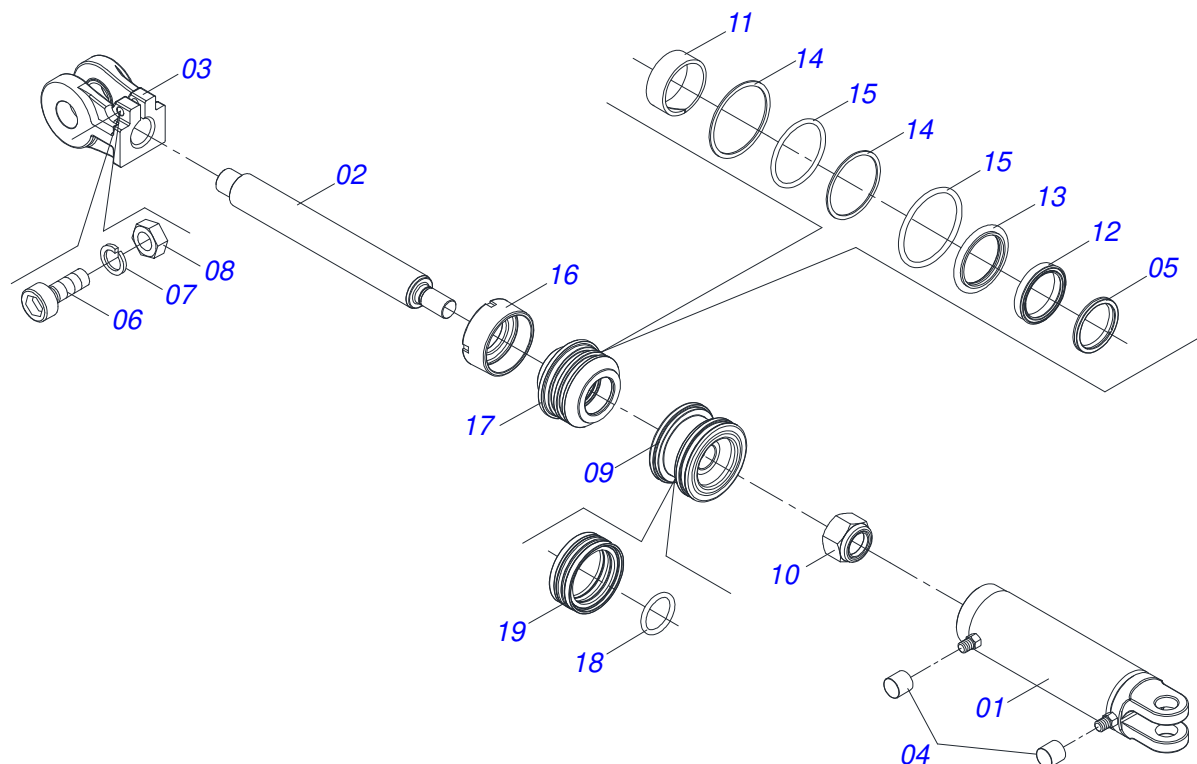
CARRYING WHEEL HUB



Item	Code	Description	See page	QT
01	0501110728	WHEEL HUB		01
01A	0502011121	CARRYING WHEEL HUB		01
01B	0501010127	9/16" X 1-7/8" LUG BOLT		06
01C	0503010035	9/16" CONIC NUT		06
02	0503010037	30207 ROLLER BEARING		01
03	0503010006	32210 ROLLER BEARING		01
04	0503012928	SEAL		01

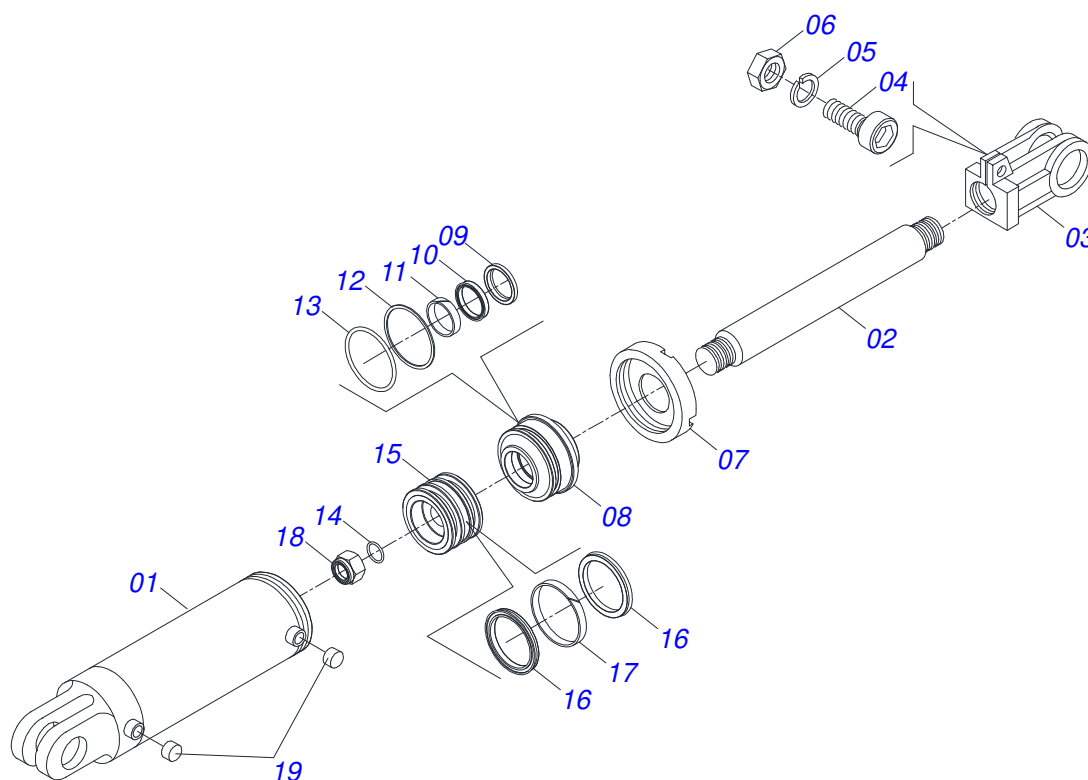


Item	Code	Description	See page	QT
01	0511061588	3.4" X 16" CYLINDER CASE		01
02	0521010421	HYDRAULIC CYLINDER TURNBUCKLE		01
03	0503010042	2-214 N 3006-9B O'RING		01
04	0503010063	1" SELF-ALIGNING NUT		01
05	0502040747	32.54 CLEVIS CLAMP		01
06	0503011094	3/8" X 2" BOLT		01
07	0503010026	3/8" NUT		01
08	0503010025	3/8" SPRING WASHER		01
09	0503030385	CYLINDER PLUG N-002		02
10	0571019710	1.7" X 3.4" PISTON		01
11	0503017935	RING		01
12	0503018144	RING		01
13	0571019711	RING SUPPORT		01
14	0503010761	D-1750 SCRAPER RING		01
15	0571019709	DETACHABLE COVER		01
16	0503017936	RING		01
17	0503017938	RING GUIDE		01
18	0503017937	GASKET		01
19	0503017940	8-337 BACK-UP RING		02
20	0503017939	2-337 N 3006-9B O' RING		02



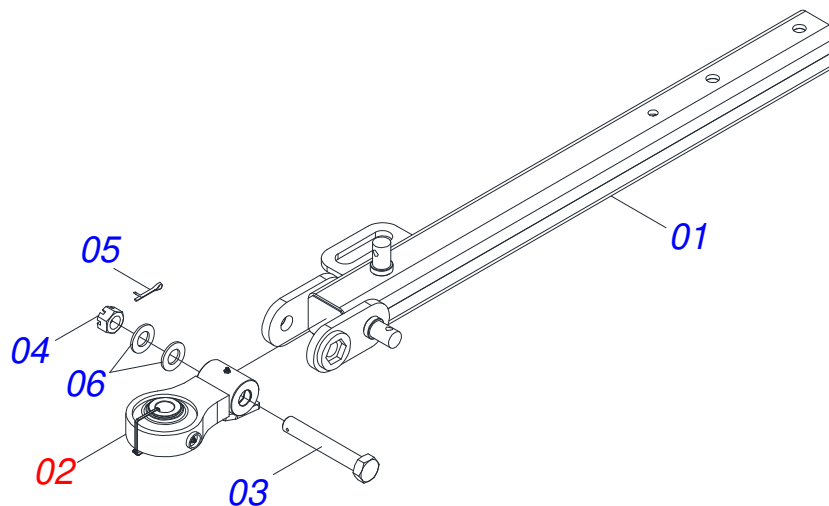
Item	Code	Description	See page	QT
01	0511070658	CYLINDER CASE		01
02	0571019958	HYDRAULIC CYLINDER TURNBUCKLE		01
03	0502040747	32.54 CLEVIS CLAMP		01
04	0503030385	CYLINDER PLUG N-002		02
05	0503010039	D-2000 SCRAPER RING		01
06	0503011094	3/8" X 2" BOLT		01
07	0503011443	3/8" SPRING WASHER		01
08	0503010026	3/8" NUT		01
09	0502012820	50.80 X 101.60 PISTON		01
10	0503010817	1.1/4" SELF LOCKING NUT		01
11	0503018025	RING GUIDE		01
12	0503018026	1870-2000-375 B GASKET		01
13	0503018024	RING BS		01
14	0503010338	2-342 N 3006-9B O-RING		02
15	0503011061	8-342 BACK-UP RING		02
16	0502012822	101.60 END CAP		01
17	0502012821	50.80 X 101.60 RING SUPPORT		01
18	0503018029	2-217 O-RING		01
19	0503015633	SELEMASTER SEALING		01

HYDRAULIC CYLINDER

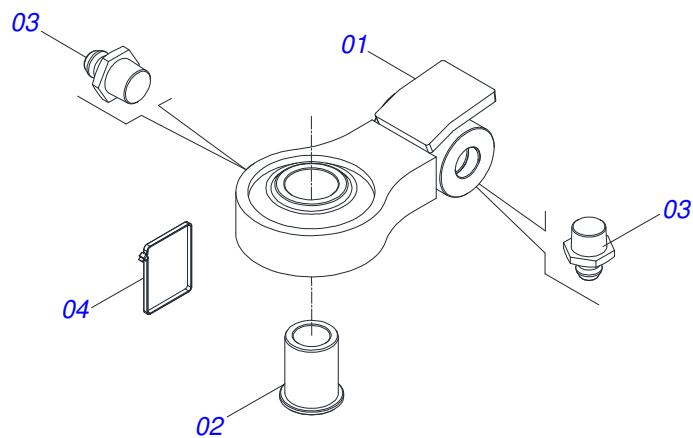


Item	Code	Description	See page	QT
01	0501069906	4" X 16" CYLINDER CASE		01
02	0521010422	HYDRAULIC CYLINDER TURNBUCKLE		01
03	0502040747	32.54 CLEVIS CLAMP		01
04	0503011094	3/8" X 2" BOLT		01
05	0503010025	3/8" SPRING WASHER		01
06	0503010026	3/8" NUT		01
07	0502010017	4" HEAD		01
08	0502010778	2" X 4.2" RING SUPPORT		01
09	0503010039	D-2000 SCRAPER RING		01
10	0503010991	1870-2000-375-B GASKET		01
11	0503010952	W2-2250-500 RING		01
12	0503011061	8-342 BACK-UP RING		01
13	0503010338	2-342 N 3006-9B O'RING		01
14	0503010345	2-218 N 3006-9B O'RING		01
15	0502010992	2.0" X 4.0" PISTON		01
16	0503010043	PACKING 3750-3250		02
17	0503010994	W2-4000-500 PK RING G.E		01
18	0503010817	1.1/4" SELF LOCKING NUT		01
19	0503030385	CYLINDER PLUG N-002		02
20	0501031799	HYDRAULIC CYLINDER REPAIR KIT		01

DRAWBAR ASSY

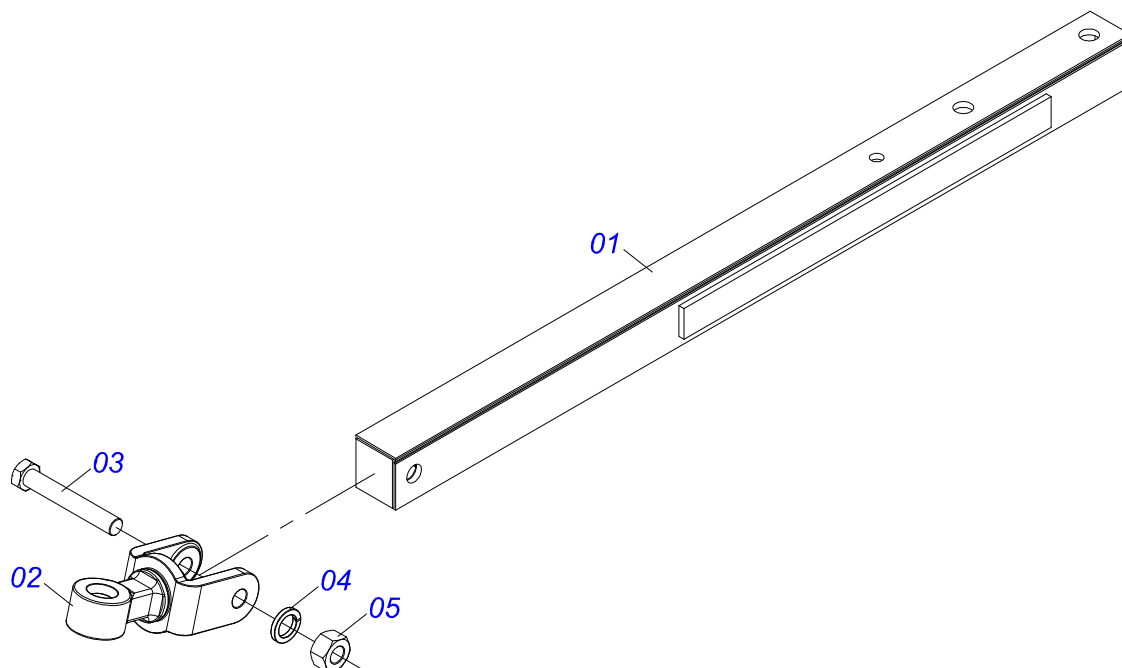


Item	Code	Description	See page	QT
01	0501066715	DRAWBAR ASSY		01
02	0521053943	HITCH WITH ASSY ROTULA SUPPORT	11	01
03	0501017291	1-1/2" X 8.1" BOLT		01
04	0501011301	1.1/2 UNC 6FPP 2.5/16 NUT		01
05	0503010010	1/4" X 2.1/2" COTTERPIN		01
06	0501017779	32 X 60 X 4.75 FLAT WASHER		02

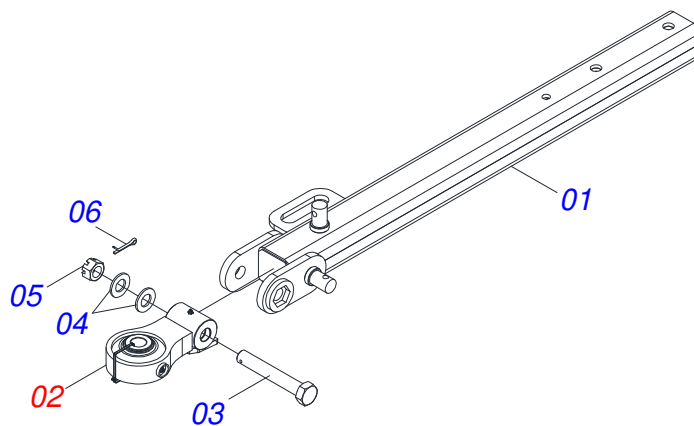


Item	Code	Description	See page	QT
01	0521069166	HITCH		01
02	0581018413	SLEEVE		01
03	0503010002	1800 GREASE FITTING		02
04	0503016033	4.8 X 1.3 X 300 MM NYLON CLAMP		01

DRAWBAR ASSY

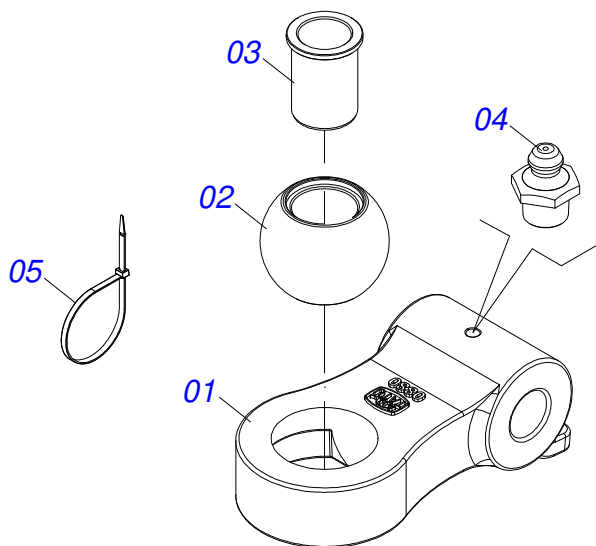


Item	Code	Description	See page	QT
01	0501060188	DRAWBAR ASSY		01
02	0521061775	TRACTOR HITCH		01
03	0501010060	1" X 6-1/2" BOLT		01
04	0503011438	SPRING WASHER		01
05	0501010059	1.5/8 NUT		01

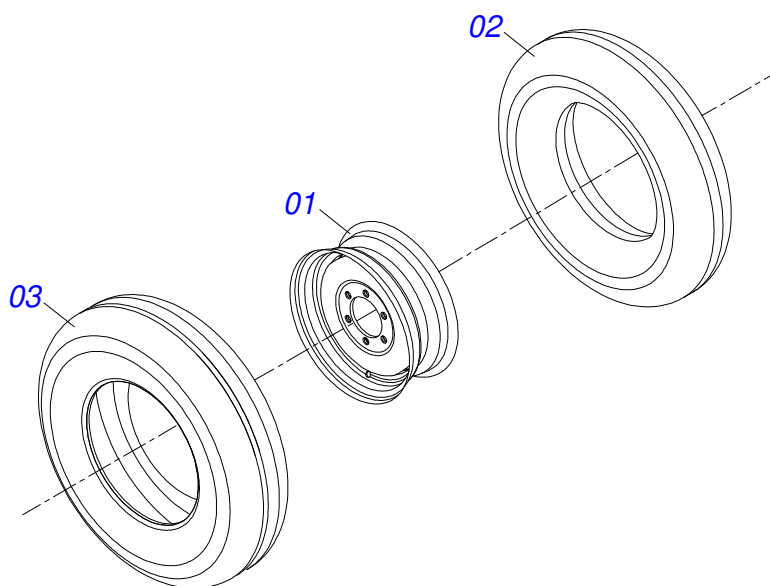


Item	Code	Description	See page	QT
01	0521069165	DRAWBAR ASSY		01
02	0521057520	HITCH ASSY	14	01
03	0581015973	1.1/4 UNC X 8 C S G5 SCREW		01
04	0501017779	32 X 60 X 4.75 FLAT WASHER		02
05	0503013026	1.1/4" CASTLE NUT		01
06	0503010010	1/4" X 2.1/2" COTTERPIN		01

HITCH ASSY

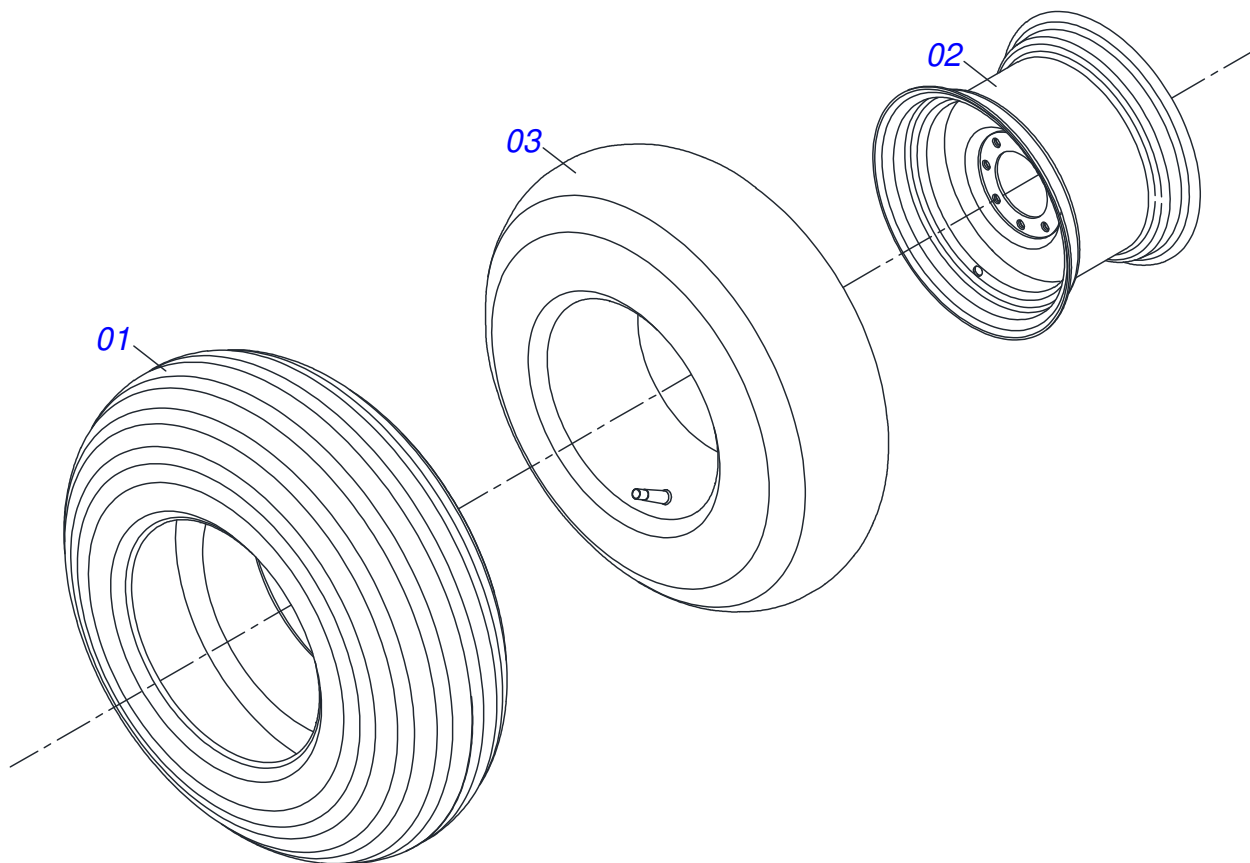


Item	Code	Description	See page	QT
01	0502040880	HITCH BODY		01
02	0502040885	BODY ATTACHMENT		01
03	0591012511	SLEEVE		01
04	0503010002	1800 GREASE FITTING		01
05	0503018829	NYLON CLAMP		01

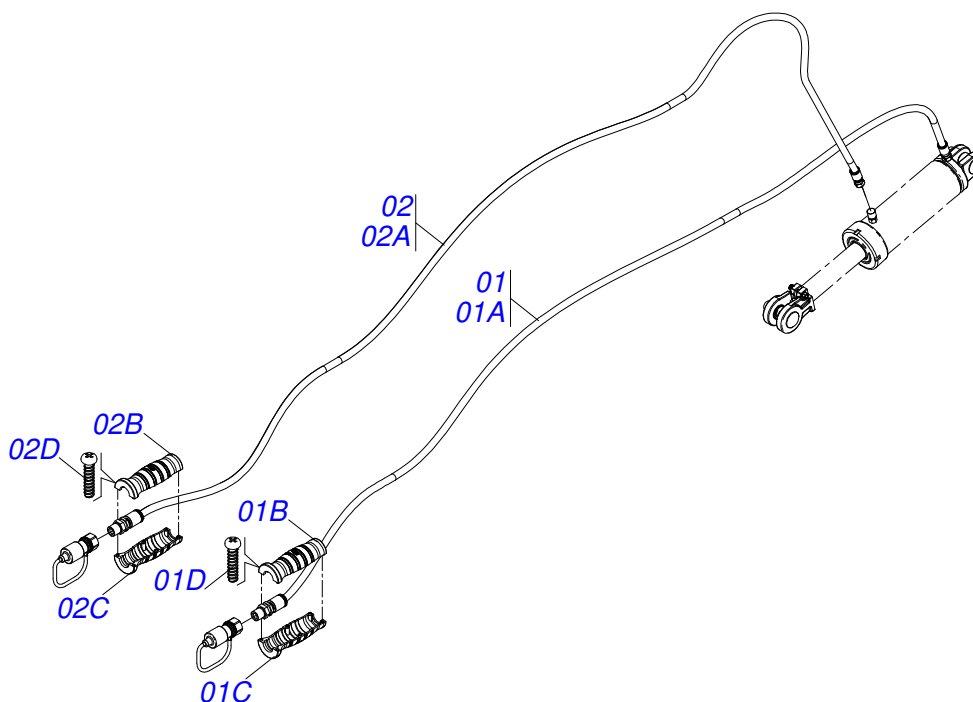


Item	Code	Description	See page	QT
01	0503010893	WHEEL		01
02	0503010033	7.50 X 16 INNER TIRE		01
03	0503010120	CANVAS TIRE		01

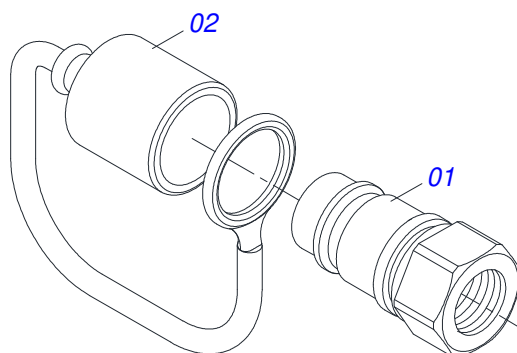
WHEEL AND TIRE



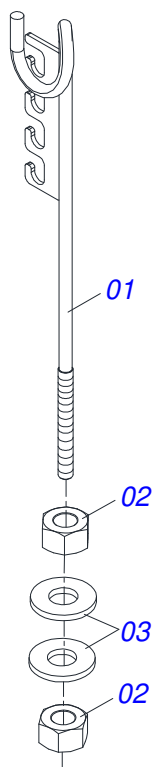
Item	Code	Description	See page	QT
01	0503010858	CANVAS TIRE		01
02	0503011468	WEEL		01
03	0503010860	AIR CHAMBER 11L 15		01



Item	Code	Description	See page	QT
01	0521056233	3/8 X 6000 TR-TM HOSE BLACK / RED		01
01A	0501080443	3/8 X 6000 TR-TM HOSE		01
01B	0503034495	HYDRAULIC HOSE GRIP (RED)		01
01C	0503034492	HYDRAULIC HOSE GRIP (BLACK)		01
01D	0503018952	PLASTIC BOLT		06
02	0521055893	3/8 X 5850 TR-TM HOSE BLACK / BLUE		01
02A	0501080421	3/8" X 230" TR-TM HOSE ASS		01
02B	0503034492	HYDRAULIC HOSE GRIP (BLACK)		01
02C	0503034494	HYDRAULIC HOSE GRIP (BLUE)		01
02D	0503018952	PLASTIC BOLT		06

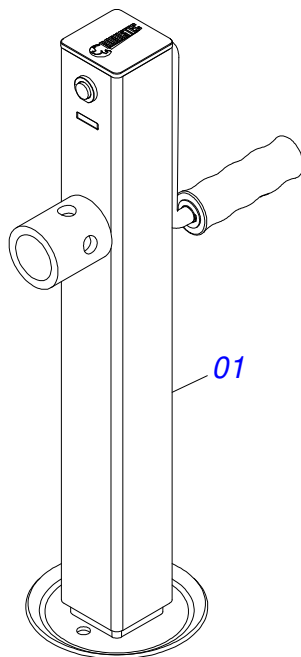


Item	Code	Description	See page	QT
01	0503011627	MALE QUICK COUPLER AGR 1/2 NPT		01
02	0503011882	MALE QUICK COUPLER CAP		01

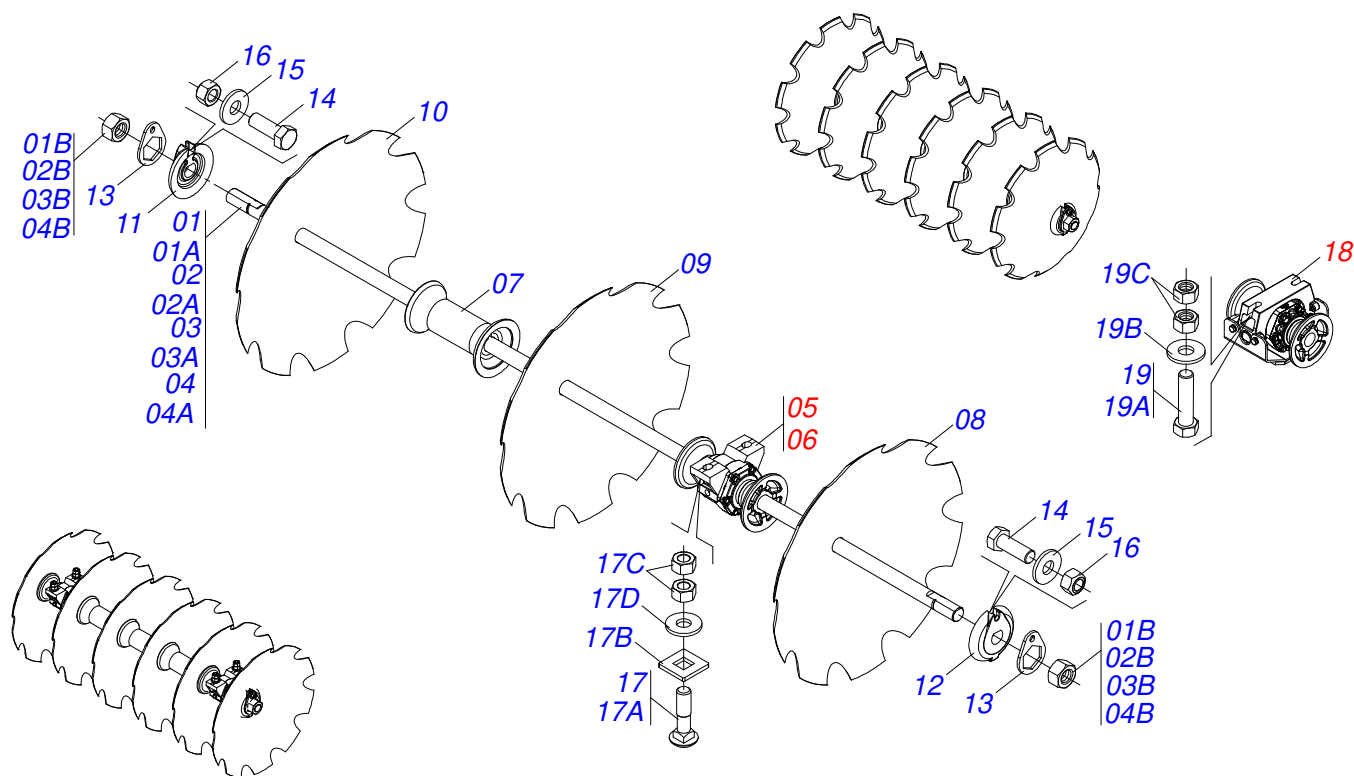


Item	Code	Description	See page	QT
01	0511067334	HOSE SOPPORT ASSY		01
02	0503010014	3/4" NUT		02
03	0501010322	FLAT WASHER		02

HEADER JACK



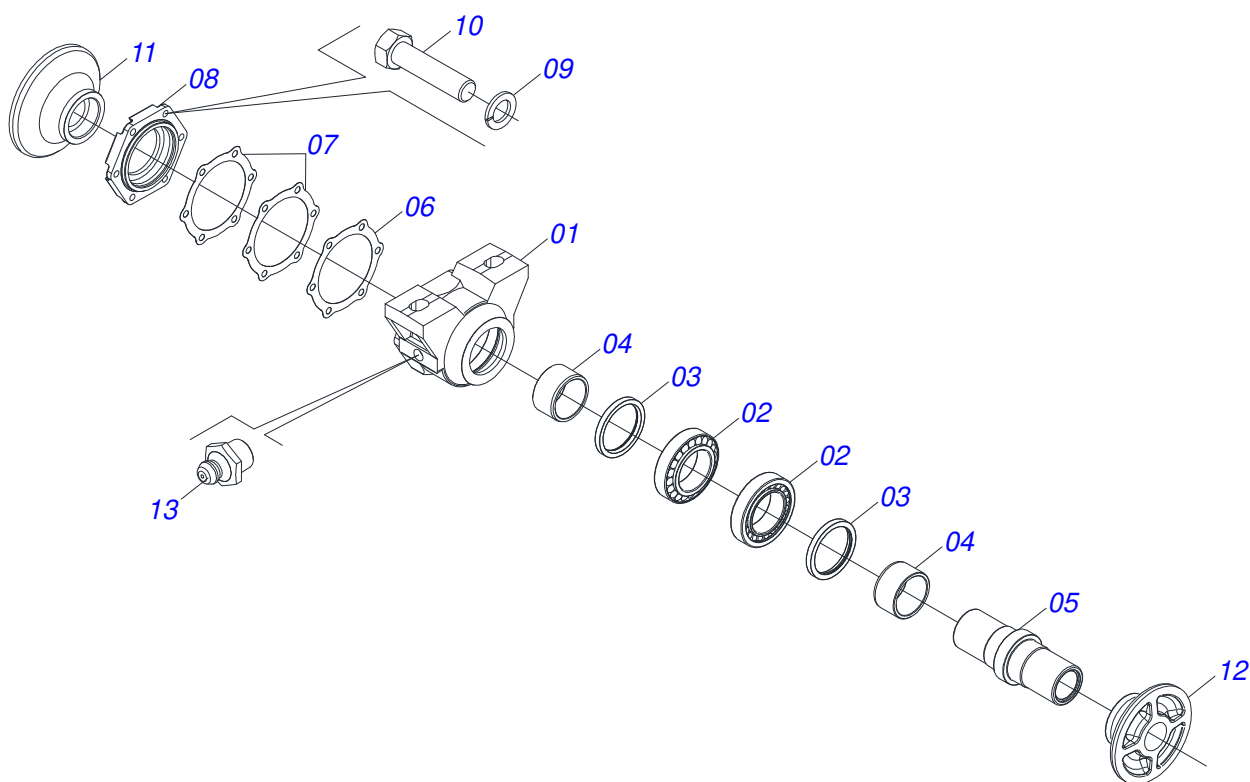
Item	Code	Description	See page	QT
01	0503062157	HEADER JACK	20	01



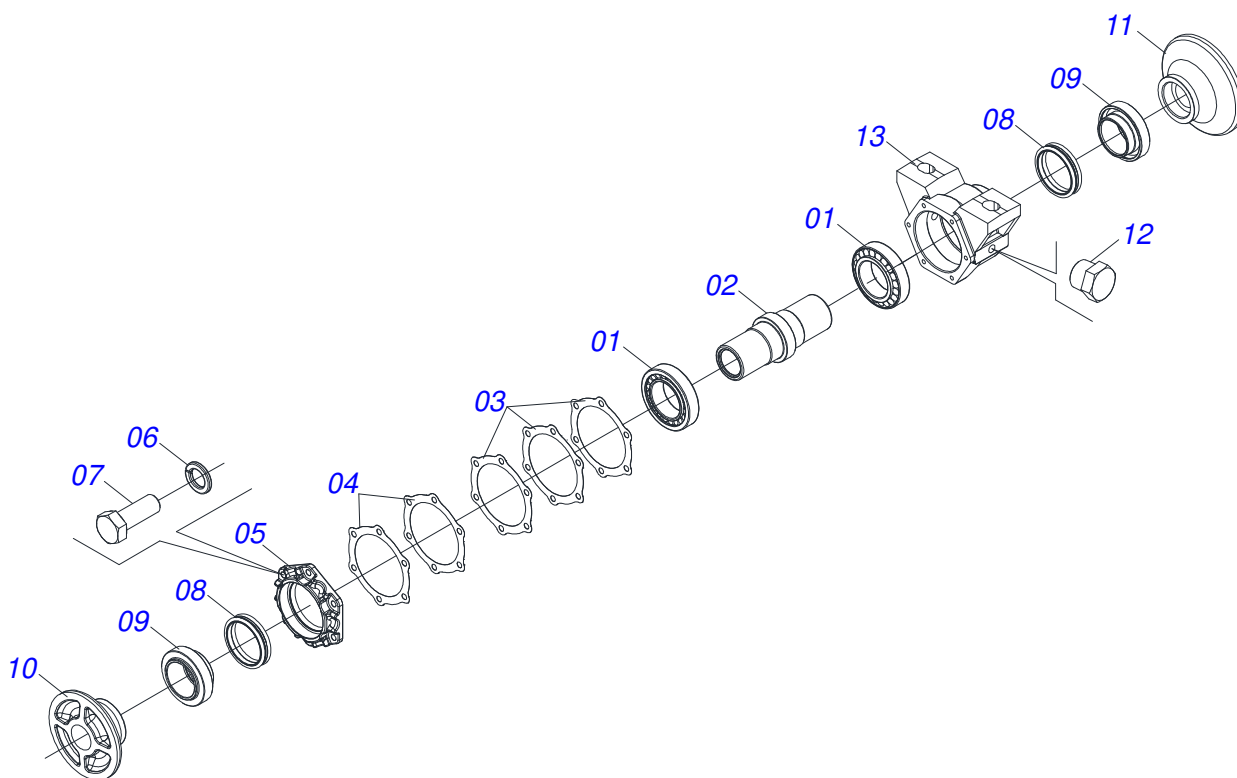
Item	Code	Description	See page	14	16	18	20	22	24	26
01	0511044702	1.3/4" X 1960 AXLE ASSY		02	02	00	00	00	00	00
01A	0541010246	1.3/4" X 1960 AXLE		01	01	00	00	00	00	00
01B	0501010333	1.3/4" NUT		02	02	00	00	00	00	00
02	0511044994	1.3/4 7FPP X 2260AXLE		00	02	02	00	00	00	00
02A	0541010271	1.3/4 7FPP X 2260 AXLE		00	01	01	00	00	00	00
02B	0501010333	1.3/4" NUT		00	02	02	00	00	00	00
03	0511044700	1.3/4" X 1360MM AXLE		00	00	02	04	02	00	00
03A	0541010244	1.3/4 X 1360 AXLE		00	00	01	01	01	00	00
03B	0501010333	1.3/4" NUT		00	00	02	02	02	00	00
04	0511044701	1.3/4" X 1660 AXLE WITH NUT		00	00	00	00	02	04	02
04A	0541010245	1.3/4 X 1660 AXLE		00	00	00	00	01	01	01
04B	0501010333	1.3/4" NUT		00	00	00	00	02	02	02
05	0511042130	AGRICULTURAL BEARING	22	00	00	06	08	00	08	08
06	0511042128	AGRICULTURAL BEARING	23	06	06	06	00	08	00	00
07	0502012193	292 X 1.3/4" SPACER		08	08	06	08	10	12	14
08	0602033006	26" X 0.2" NOTCHED DISC BLADE		14	16	18	20	22	24	26
08.	0602037111	DR28X6 C107AF02FR46,04 10REC ROME		14	16	18	20	22	24	26
09	0602037001	28" X 7,5MM NOTCHED DISC BLADE		14	16	18	20	22	24	26
09.	0602039003	28X6 C102AF04FR1.13/16 10R TAT/CV NOTCHED DISC BLADE		14	16	18	20	22	24	26
10	0602040041	30X7,5 C105AF04FR1.13/16 10R T/CV NOTCHED DISC		14	16	18	20	22	24	26
11	0502012222	1-3/4" EXTERNAL AXLE WASHER		02	02	04	04	04	04	04
12	0502012221	1-1/2" INNER AXLE WASHER		02	02	04	04	04	04	04
13	0511014339	1-5/8" 2.8" NUT LOCK		04	04	08	08	08	08	08
14	0503010232	5/8" X 1.3/4" BOLT		04	04	08	08	08	08	08
15	0501012140	FLAT WASHER		04	04	08	08	08	08	08
16	0503012412	5/8 UNC SELF LOCKING NUT		04	04	08	08	08	08	08
17	0511040034	3/4" X 3-1/4" BOLT ASSY		12	12	16	16	16	16	16
17A	0501017303	3/4" X 3-1/4" BOLT		12	12	16	16	16	16	16
17B	0501010949	3/4" SQUARE WASHER		12	12	16	16	16	16	16
17C	0503010014	3/4" NUT		24	24	32	32	32	32	32



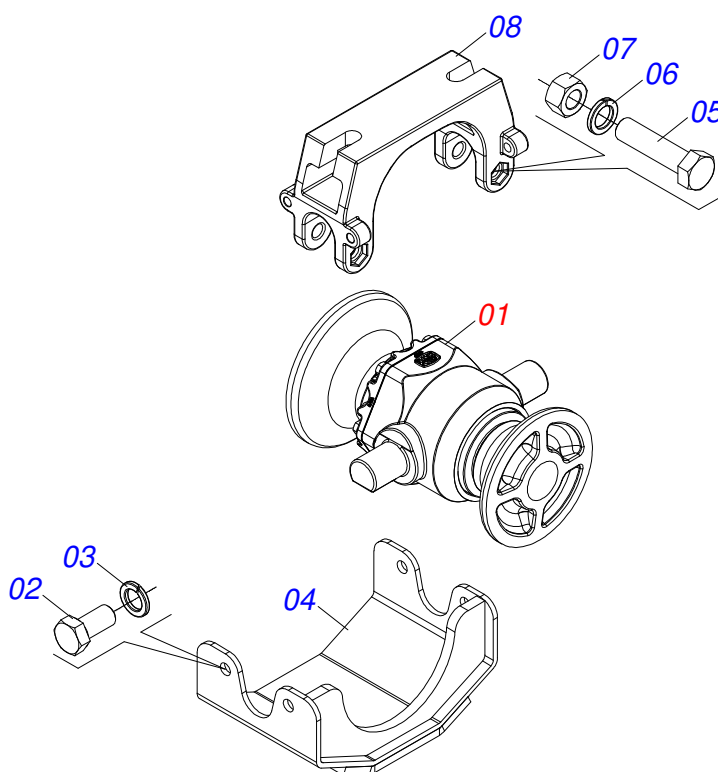
Item	Code	Description	See page	14	16	18	20	22	24	26
17D	0501010322	FLAT WASHER		12	12	16	16	16	16	16
18	0521040965	AGRICULTURAL BEARING	24	00	06	00	00	00	00	00
19	0521047424	SCREW ASSY		00	12	00	00	00	00	00
19A	0501010500	3/4"X3"BOLT		00	01	00	00	00	00	00
19B	0501010322	FLAT WASHER		00	01	00	00	00	00	00
19C	0503012183	SNC 3/4" ZIN 1K03097 NUT		00	02	00	00	00	00	00



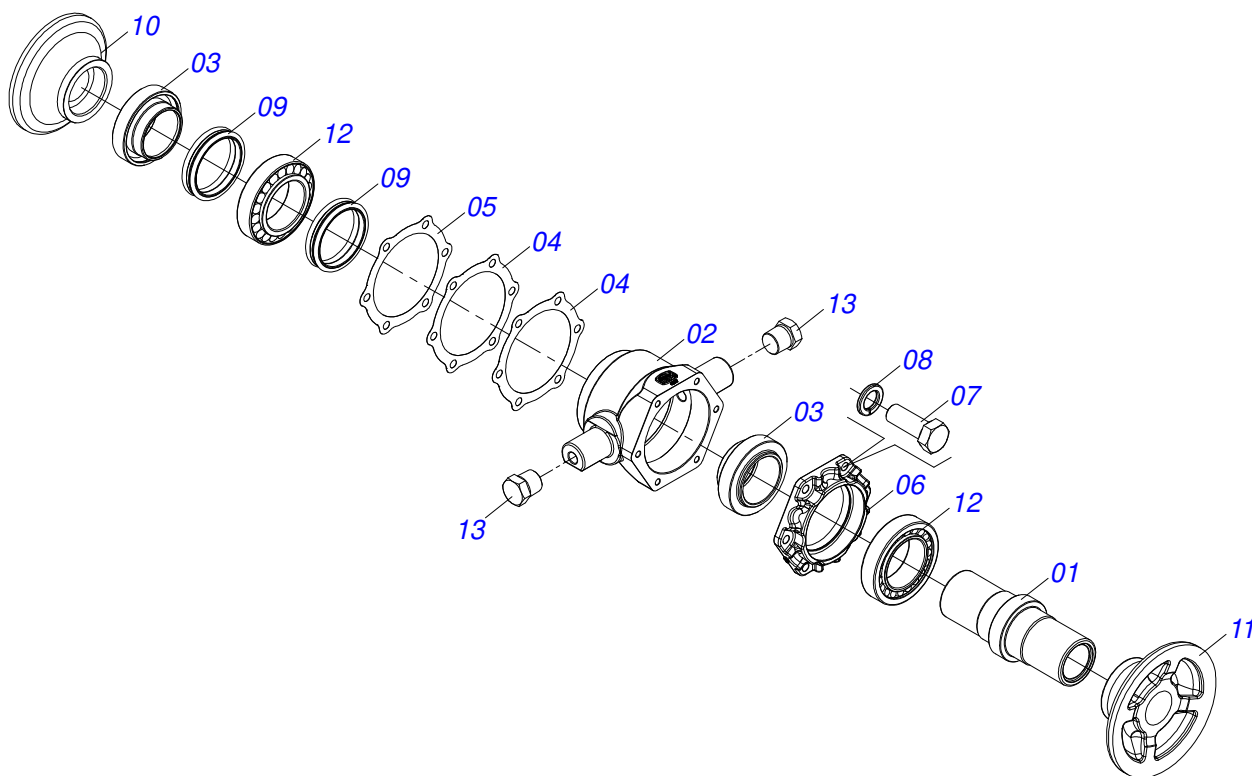
Item	Code	Description	See page	QT
001	0502020497	HOUSING CM		01
002	0503010104	3984/3920 ROLLER BEARING		02
003	0503013439	6681-GB SEAL		02
004	0511010236	SPACING BUSHING		02
005	0502010824	AXLE CM/DM		01
006	0503030685	5.5" X 4.4" X 0.003" GASKET		01
007	0503030030	5.6" X 4.4" X 0.01" GASKET		02
008	0502020069	HOUSING CAP CM		01
009	0503011443	3/8" SPRING WASHER		06
010	0503010237	3/8" X 1" BOLT		06
011	0502012195	BEARING OUTER FLANGE		01
012	0502012194	INNER FLANGE		01
013	0503010002	1800 GREASE FITTING		02



Item	Code	Description	See page	QT
001	0503010104	3984/3920 ROLLER BEARING		02
002	0502010824	AXLE CM/DM		01
003	0503030030	5.6" X 4.4" X 0.01" GASKET		03
004	0503030685	5.5" X 4.4" X 0.003" GASKET		02
005	0502020161	WEAR PLATE BEARING		01
006	0503011443	3/8" SPRING WASHER		06
007	0503010237	3/8" X 1" BOLT		06
008	0503030027	DUO-CONE SEAL		02
009	0502010823	SEAL RETAINER		02
010	0502012194	INNER FLANGE		01
011	0502012195	BEARING OUTER FLANGE		01
012	0503010856	OIL PLUG		02
013	0502020477	HOUSING DM		01



Item	Code	Description	See page	QT
01	0511052021	BEARING DMO 292 1.3/4"	25	01
02	0503010834	1/2 X 1 BOLT		04
03	0503010019	1/2" SPRING WASHER		04
04	0502012626	CENTER OSCILLATING BEARING SUPPORT		01
05	0503010762	SCREW 5/8 UNC X 3.1/2 CS G.5 ZN		02
06	0503010013	5/8" NUT		02
07	0503010027	5/8" SPRING WASHER		02
08	0521067341	BEARING SWING COVER WITH ENHANCED		01



Item	Code	Description	See page	QT
01	0502010824	AXLE CM/DM		01
02	0502012343	AGRICULTURAL HOUSING BEARING		01
03	0502010823	SEAL RETAINER		02
04	0503030030	5.6" X 4.4" X 0.01" GASKET		02
05	0503030685	5.5" X 4.4" X 0.003" GASKET		01
06	0502020161	WEAR PLATE BEARING		01
07	0503010237	3/8" X 1" BOLT		06
08	0503011443	3/8" SPRING WASHER		06
09	0503030027	DUO-CONE SEAL		02
10	0502012194	INNER FLANGE		01
11	0502012195	BEARING OUTER FLANGE		01
12	0503010104	3984/3920 ROLLER BEARING		02
13	0503010856	OIL PLUG		02
14	3402301275	TATU OIL		0,2Lts



ANNOTATION

Lined writing area for annotations, consisting of 25 horizontal lines.





MARCHESAN

Technical Publications | Elaboration and Revision
JOSÉ DOMINGOS GASPARI

www.marchesan.com.br

