

OFFSET DISK HARROW

GAICR 25/26/28/29/32/36/40/44D
GAICR 25/26/28/29/32/36/40/44D

Code: 0501091164
Series: S-0791
Revision: 00
Revision Date: JANUARY/2021

PARTS CATALOGUE



MARCHESAN



PRODUCTS

Code	Working Width	Description
0102260358		GAICR 25 X 28 X 6,00 DM S-0791
0102260685		GAICR 25 X 28 X 6,00 DM C/P S-0791
0102260685C		GAICR 25 X 28 X 6,00 DM C/P EXP S-0791
0102260695		GAICR 25 X 28 X 6,00 DM DR C/PROT S-0791
0102260695C		GAICR 25 X 28 X 6,00 DM DR C/PROT EXP S-0791
0102260503		GAICR 26 X 26 X 6,00 DM S-0791
0102260310		GAICR 26 X 28 X 6,00 DM S-0791
0102260031		GAICR 26 X 28 X 7,50 DM S-0791
0102260031C		GAICR 26 X 28 X 7,50 DM EXP S-0791
0102260688		GAICR 26 X 28 X 7,50 DM PN11L15 S-0791
0102260255		GAICR 28 X 26 X 6,00 ALQUIP
0102260075		GAICR 28 X 26 X 6,00 CM S-0791
0102260093		GAICR 28 X 26 X 6,00 DM S-0791
0102260129		GAICR 28 X 26 X 6,00 DM C/P SA
0102260115		GAICR 28 X 28 X 6,00 CM S-0791
0102260121		GAICR 28 X 28 X 6,00 DM S-0791
0102260094C		GAICR 28 X 28 X 7,5 DM EXP S-0791
0102260440C		GAICR 28 X 28 X 7,5 DM C/P DR PN11L15 SA EXP
0102260076		GAICR 28 X 28 X 7,50 CM S-0791
0102260094		GAICR 28 X 28 X 7,50 DM S-0791
0102260131		GAICR 28 X 28 X 7,50 DM C/P SA
0102260242		GAICR 28 X 28 X 7,50 DM C/P DR AUST
0102260172		GAICR 28 X 28 X 7,50 DM C/PROT
0102260541		GAICR 28 X 28 X 7,50 DM MT S-0791
0102260449		GAICR 28 X 28 X 7,50DM PN11L15 S791
0102260273		GAICR 28 X 30 X 7,50 DM S-0791
0102260390		GAICR 28X 28X 7,5DM C/P DR 11L15 AU
0102260440		GAICR 28X28X7,5DM C/P DR PN11L15 SA
0102260492		GAICR 29 X 26 X 6,00 DM S-0791
0102260491		GAICR 29 X 28 X 6,00 DM S-0791

ATTENTION: IMPORTANT

Marchesan S.A. reserves the right to improve and/or modify the technical features of its products, without obligation to do the same with those products already sold and without prior knowledge of the dealer or the customer. The photos are only illustrative.



PRODUCTS

0102260496	GAICR 29 X 28 X 6,00 DM C/P S-0791
0102260496C	GAICR 29 X 28 X 6,00 DM C/P EXP S-0791
0102260694	GAICR 29 X 28 X 6,00 DM DR C/PROT S-0791
0102260694C	GAICR 29 X 28 X 6,00 DM DR C/PROT EXP S-0791
0102260167	GAICR 32 X 28 X 7,50 DM UR
0102260262	GAICR 36 X 26 X 6,00 ALQUIP
0102260168	GAICR 36 X 28 X 7,50 DM UR
0102260261	GAICR 40 X 26 X 6,00 ALQUIP
0102260169	GAICR 40 X 28 X 7,50 DM UR
0102260260	GAICR 44 X 26 X 6,00 ALQUIP

ATTENTION: IMPORTANT

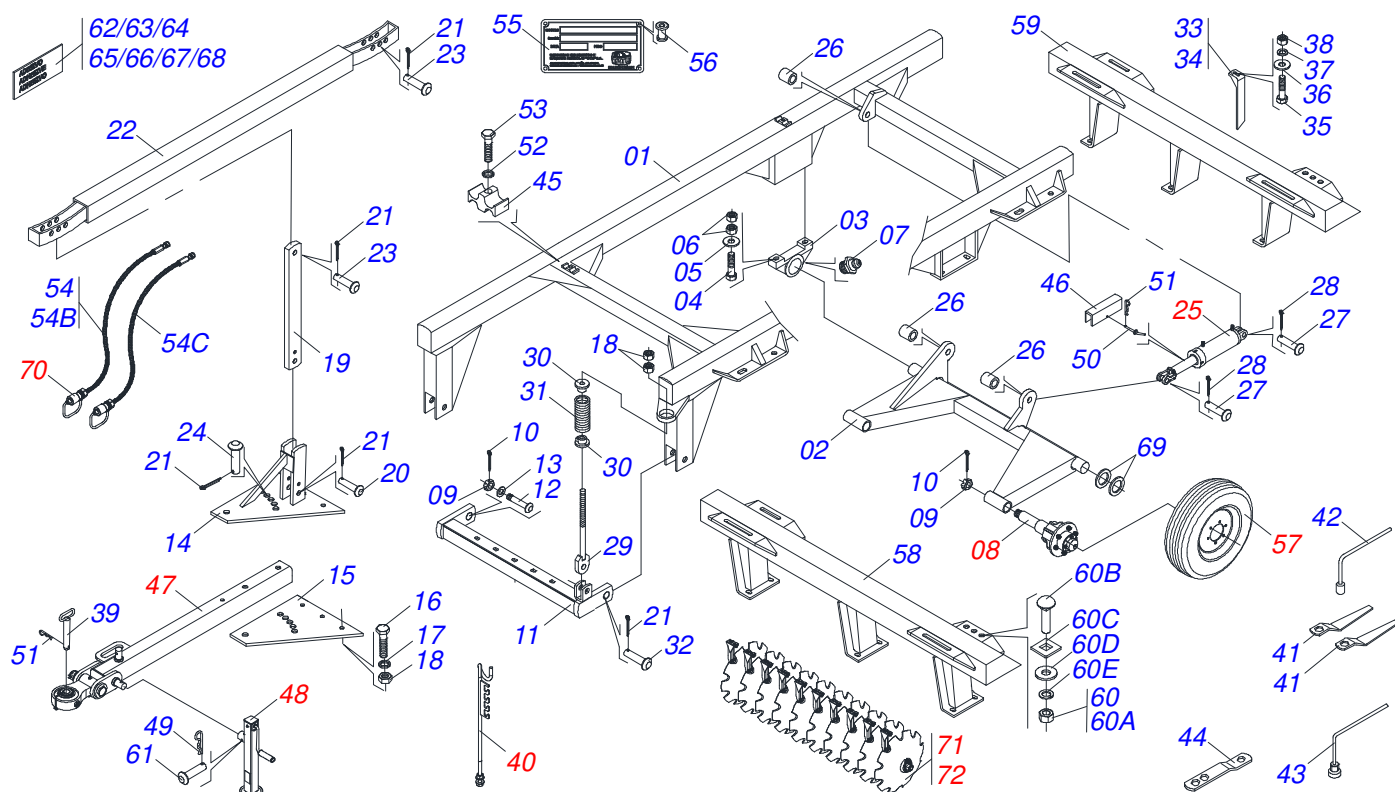
Marchesan S.A. reserves the right to improve and/or modify the technical features of its products, without obligation to do the same with those products already sold and without prior knowledge of the dealer or the customer. The photos are only illustrative.



MARCHESAN

INDEX

0909091710	FRAME 25/26/28/29 DISCS	1
0909090316	WHEEL TYPE OFFSET DISK HARROW	2
0501048420	HYDRAULIC CYLINDER	3
0511059180	HYDRAULIC CYLINDER 50,80 X 101,60 X 515 X 203	4
0501046331	HYDRAULIC CYLINDER	5
0501051043	HOSE ASSY	6
0501051634	STUB SHAFT HUB ASSY	7
0501047809	3" X 85"STUB SHAFT & HUB ASSY	8
0501051142	CARRYING WHEEL HUB	9
0501053834	MALE QUICK COUPLER	10
0501040257	ASSY 3/4 X 38 HOSE SUPPORT	11
0521048502	ASSY TRACTION BAR	12
0501046307	DRAWBAR ASSY	13
0521057520	HITCH ASSY	14
0503062157	DRAWBAR JACK	15
0511048088	DRAWBAR JACK	16
0511043153	DRAWBAR JACK	17
0503060091	L29.5"X0.63"-10L WHEEL AND	18
0503060005	29.5"X0.63"-10L WHEEL WITH TIRE ASSY	19
0909090101	SECTION DISCS FRONTS	20
0909099133	GANG DISC	21
0501043202	262 X 1-5/8" OIL BATH BRG ASSY,RG	22
0501043090	262 X 1-5/8" GRESABLE BRG ASSY,RG	23
0501046925	BEARING	24



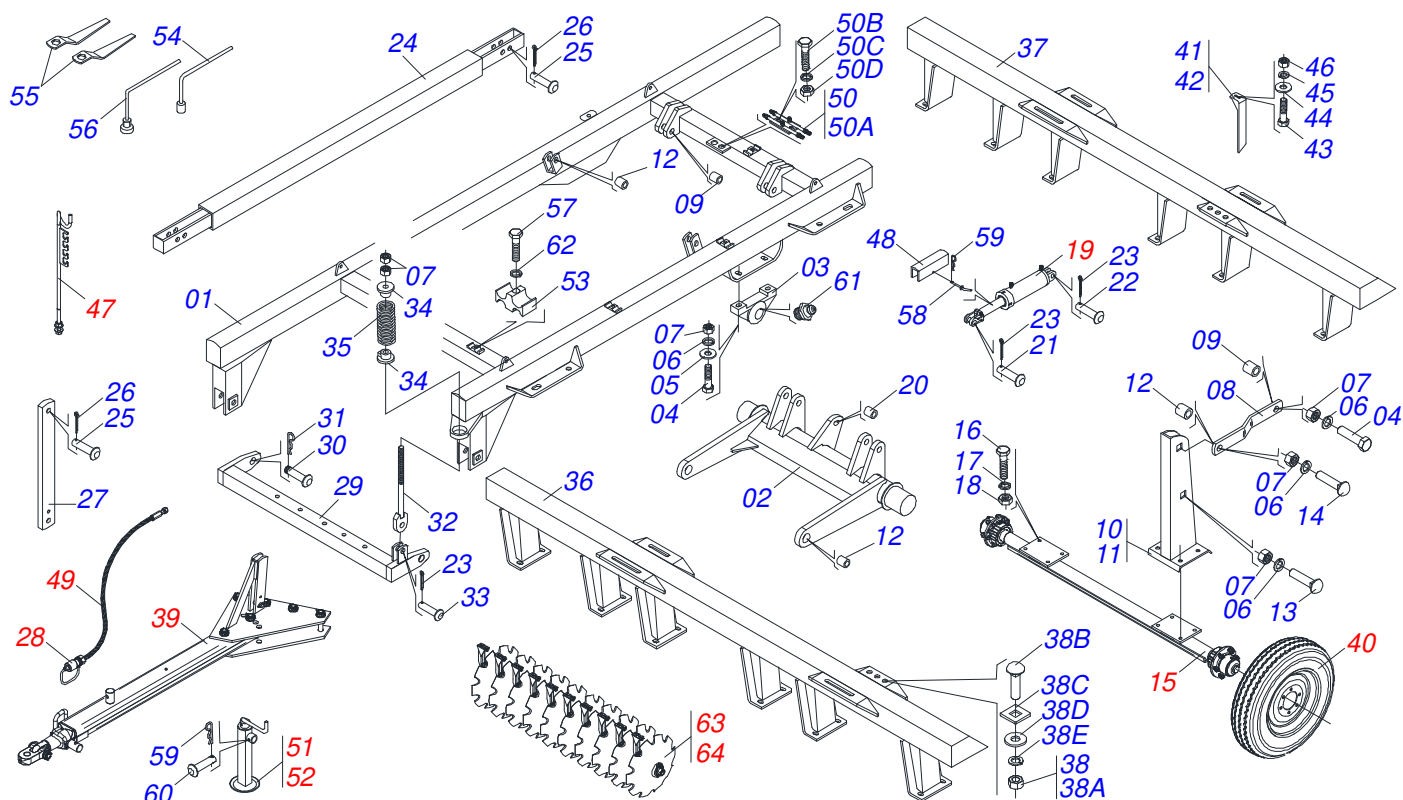
Item	Code	Description	See page	25	26	28	29
01	0501064754	FRAME		01	00	00	00
01.	0501064754	FRAME		00	01	00	01
01..	0501065575	FRAME ASSY		00	00	01	00
02	0501065518	CARRYING-WHEELS		01	01	01	01
03	0501110856	ARTICULACION BEARING		02	02	00	00
03.	0501048457	262MM X 1.5/8" RD OIL BATH BEARING		00	00	02	00
03..	0501110856	ARTICULACION BEARING		00	00	00	02
04	0503010797	3/4" X 4" BOLT		04	04	04	04
05	0501010322	20,50 X 46 X 4,00 ZN FLAT WASHER		04	04	04	04
06	0503010014	3/4" ZN G.5 (HEAVY) UNC HEX NUT		08	08	08	08
07	0503010002	1800 GREASE FITTING		04	04	04	04
08	0501051634	STUB SHAFT HUB ASSY	7	02	02	02	02
09	0501011301	1.1/2" UNC 6FPP 2.5/16" NUT		05	05	05	05
10	0503010010	SPLIT PIN 1/4" X 2.1/2"		05	05	05	05
11	0501066262	OFFSET BAR		01	01	01	01
12	0521017538	11-1/2" X 5" COUPLING SHAFT		02	02	02	02
13	0511019880	FLAT WASHER		02	02	02	02
14	0501066235	UPPER PLATE WITH SUPPORT		01	01	01	01
15	0511013000	UPPER /LOWER PLATE		01	01	01	01
16	0501010334	1" X 7" BOLT		04	04	04	04
17	0503011438	SPRING WASHER		04	04	04	04
18	0501010059	1.5/8 NUT		06	06	06	06
19	0511012972	STABILIZER BAR TOWER		01	01	01	01
20	0521010576	0.9" X 3.7" COUPLING SHAFT		01	01	01	01
21	0503010571	1/4" X 1.1/2" SPLIT PIN		05	05	05	05
22	0511066932	STABILIZER BAR		01	01	01	01
23	0521010575	C0.9" X 3.3" COUPLING SHAFT		02	02	02	02
24	0521012534	0.9" X 6.1" AXLE		01	01	01	01
25	0501048420	HYDRAULIC CYLINDER	3	01	01	01	00
25.	0511059180	HYDRAULIC CYLINDER 50,80 X 101,60 X 515 X 203	4	00	00	00	01



Item	Code	Description	See page	25	26	28	29
26	0511019921	1.3" X 0.1" X 1" SLEEVE		03	03	03	03
27	0521012538	1.2" X 3.5" COUPLING SHAFT		02	02	02	02
28	0503010523	1/4" X 2" SPLIT PIN		02	02	02	02
29	0501064698	SPRING ROD		01	01	01	01
30	0502020392	SPRING SUPPORT		02	02	02	02
31	0503030441	12.7" X 5.7" X 0.5" SPRING		01	01	01	01
32	0521010592	1.1" X 3.1" COUPLING SHAFT		01	01	01	01
33	0501064168	FRONT SCRAPER		07	07	09	08
34	0501064167	REAR SCRAPER		07	07	09	08
35	0503011082	C1/2" X 1.3/4" SCREW		28	28	32	00
35.	0503010740	BOLT 1/2 UNC X 2 CS G.5 ZN		00	00	00	34
36	0511017302	FLAT WASHER 13,50 X 32,50 X 3,0 ZN		28	28	32	34
37	0503010019	1/2" SPRING WASHER		28	28	32	34
38	0503010060	1/2 UNC G.5 ZN HEX NUT		28	28	32	34
39	0501069080	COUPLING SHAFT		01	01	01	01
40	0501040257	ASSY 3/4 X 38 HOSE SUPPORT	11	01	01	01	01
41	0501011431	1-3/4" GANG BOLT WRENCH		02	02	02	02
42	0503016140	3/4" WRENCH CABLE CYLINDRICAL		01	01	01	01
43	0501061617	1" GANG BOLT WRENCH		01	01	01	01
44	0511018451	5/8" X 3/4" X 1" UNIVERSAL		01	01	01	01
45	0502012702	BODY SUPPORT CLAMP		02	02	02	02
46	0511010839	TRANSPORT LOCK 7.9" X 2.1" X 0.4"		01	01	01	01
47	0521048502	ASSY TRACTION BAR	12	01	01	01	01
48	0503062157	DRAWBAR JACK	15	01	01	01	01
49	0503030168	HITCH PIN CLIP		02	02	02	02
50	0501068994	8,30 X 78 LOCK PIN		01	01	01	01
51	0503031035	HITCH PIN CLIP		01	01	01	01
52	0503010180	7/16" SPRING WASHER		02	02	02	02
53	0503012555	SCREW 7/16 UNC X 2 CS RT G.7 ZN		02	02	02	02
54	0503011360	HOSE KIT		01	01	01	01
54A	0503033158	PLASTIC BAG		01	01	01	01
54B	0521055893	3/8 X 5850 TR-TM HOSE BLACK / BLUE		01	01	01	01
54C	0521056233	3/8 X 6000 TR-TM HOSE BLACK / RED		01	01	01	01
55	0503034003	61 X 118 SERIAL NUMBER TAG		01	01	01	01
56	0503010001	RIVET 3,2 X 5,5		04	04	04	04
57	0503060091	L29.5"X0.63"-10L WHEEL AND	18	02	02	02	02
58	0501065148	FRONT FRAME - 24/25D		01	00	00	00
58.	0501069549	FRONT FRAME - 26D		00	01	00	00
58..	0501065150	FRONT FRAME - 28/29D		00	00	01	01
59	0501069550	REAR FRAME - 25/26D		01	01	00	00
59.	0501065151	REAR FRAME - 28D		00	00	01	00
59..	0501067031	REAR FRAME - 29/30D		00	00	00	01
60	0501040877	C1" X 3-1/4" ASSY BOLT		08	08	08	08
60A	0501010059	1.5/8 NUT		08	08	08	08
60B	0501010171	BOLT 1 UNC X 3.1/2 C S G.5		08	08	08	08
60C	0502012861	1" SQUARE WASHER		08	08	08	08
60D	0501010065	1" SPRING WASHER		08	08	08	08
60E	0503010012	1" SPRING WASHER		08	08	08	08
61	0521010549	COUPLING SHAFT		01	01	01	01
62	0503031087	AUTO CONTROL APPROVED DECAL		01	01	01	01
63	0503034078	LIFTING POINTS DECAL		04	04	04	04
64	0503031738	WARNING DECAL		01	01	01	01
65	0503033038	DANGER DECAL		01	01	01	01
66	0503060787	GAICR DECAL SET		01	01	01	01
67	0503031827	LUBRICATE AND RETIGHTEN DAILY DECAL		01	01	01	01
68	0503031428	READ MANUAL DECAL		01	01	01	01
69	0501017579	FLAT WASHER		02	02	02	02



Item	Code	Description	See page	25	26	28	29
70	0501053834	MALE QUICK COUPLER	10	02	02	02	02
71		GANG DISC	21				
72		SECTION DISCS FRONTS	20				

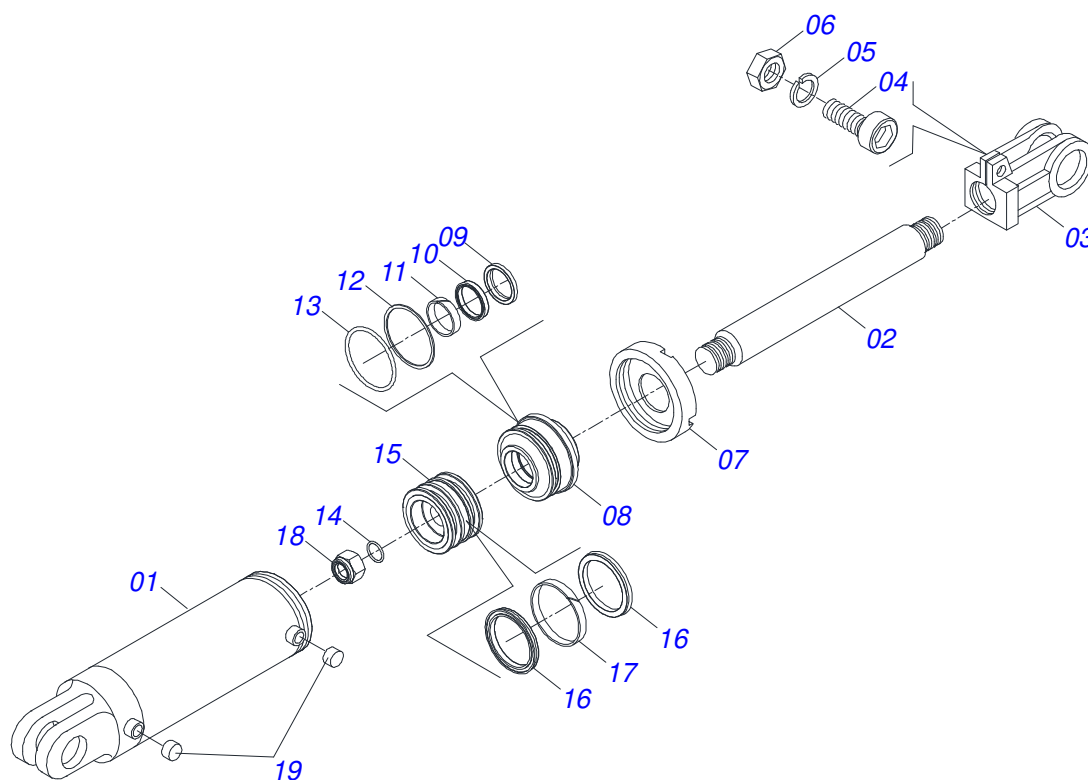


Item	Code	Description	See page	32	36	40	44
01	0501067290	CENTER FRAME		01	01	01	00
01.	0511065123	FRAME		00	00	01	01
02	0501067244	WHEELS		01	01	01	01
03	0502010972	ARTICULACION BEARING		02	02	02	02
04	0503011432	BOLT		06	06	06	06
05	0501010065	1" SPRING WASHER		04	04	04	04
06	0503010012	1" SPRING WASHER		08	08	08	08
07	0501010059	1.5/8 NUT		06	06	06	06
08	0501019347	SUPPORT BAR		02	02	02	02
09	0511019921	1.3" X 0.1" X 1" SLEEVE		05	05	05	05
10	0501068260	RIGHT SUSPENSION TOWER		01	01	01	01
11	0501068261	LEFT SUSPENSION TOWER		01	01	01	01
12	0501010297	1.3" X 1.7" X 1.3" BUSHING		02	02	02	02
13	0511018006	1-1/2 X 4.13" U BOLT OF SUSP TOWER		02	02	02	02
14	0511017974	1" U BOLT SUSPENSION TOWER		02	02	02	02
15	0501047809	3" X 85"STUB SHAFT & HUB ASSY	8	01	01	01	01
16	0501010098	BOLT 3/4" UNC X 2 C S G.5 ZN		08	08	08	08
17	0503010023	3/4" SPRING WASHER		09	09	09	09
18	0503010014	3/4" ZN G.5 (HEAVY) UNC HEX NUT		10	10	10	10
19	0501046331	HYDRAULIC CYLINDER	5	02	02	02	02
20	0511019920	SLEEVE 32,70 X 38,80 X 25,40		08	08	08	08
21	0521010546	1.2" X 5.7" COUPLING SHAFT		02	02	02	02
22	0521010547	1.2" X 6.5" COUPLING SHAFT		02	02	02	02
23	0503010523	1/4" X 2" SPLIT PIN		06	06	06	06
24	0501064747	STABILIZER BAR		01	01	01	01
25	0521010575	C0.9" X 3.3" COUPLING SHAFT		02	02	02	02
26	0503010571	1/4" X 1.1/2" SPLIT PIN		03	03	03	03
27	0511013526	STABILIZER BAR TOWER		01	01	01	01
28	0501053834	MALE QUICK COUPLER	10	02	02	02	02
29	0501067241	OFFSET BAR		01	01	01	01

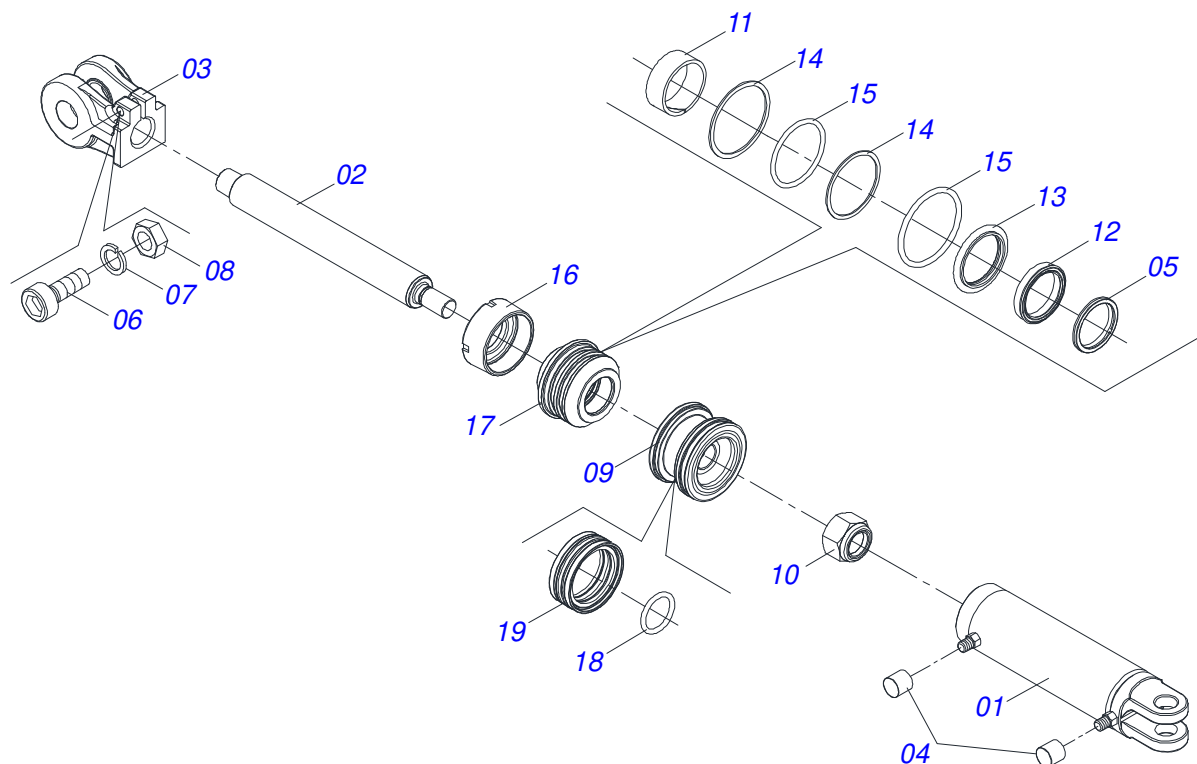


GAICR 25/26/28/29/32/36/40/44D
WHEEL TYPE OFFSET DISK HARROW

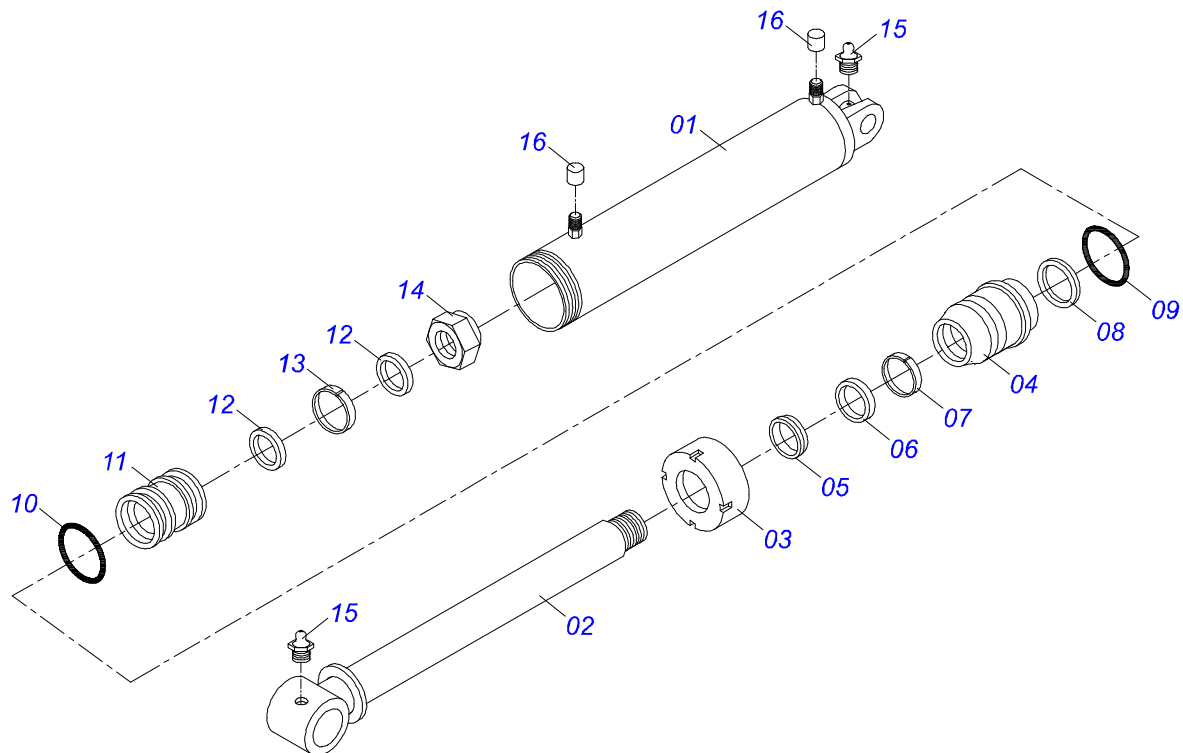
Item	Code	Description	See page	32	36	40	44
30	0521010620	1.5" X 4.6" COUPLING SHAFT		02	02	02	02
31	0503010534	3/8" X 2.1/2" SPLIT PIN		02	02	02	02
32	0501064699	SPRING ROD		01	01	01	01
33	0521010592	1.1" X 3.1" COUPLING SHAFT		01	01	01	01
34	0502020394	SPRING SUPPORT		02	02	02	02
35	0503030441	12.7" X 5.7" X 0.5" SPRING		01	01	01	01
36	0501064439	FRONT FRAME		01	00	00	00
36.	0501064448	FRONT FRAME		00	01	00	00
36..	0501063981	FRONT FRAME		00	00	01	00
36...	0501065159	FRONT FRAME		00	00	00	01
37	0501064438	REAR FRAME		01	00	00	00
37.	0501064449	REAR FRAME		00	01	00	00
37..	0501063980	REAR FRAME		00	00	01	00
37...	0501065160	REAR FRAME		00	00	00	01
38	0501040877	C1" X 3-1/4" ASSY BOLT		08	08	08	08
38A	0501010059	1.5/8 NUT		08	08	08	08
38B	0501010171	BOLT 1 UNC X 3.1/2 C S G.5		08	08	08	08
38C	0502012861	1" SQUARE WASHER		08	08	08	08
38D	0501010065	1" SPRING WASHER		08	08	08	08
38E	0503010012	1" SPRING WASHER		08	08	08	08
39	0501046307	DRAWBAR ASSY	13	01	01	01	01
40	0503060005	29.5"X0.63"-10L WHEEL WITH TIRE ASSY	19	02	02	02	02
41	0501064168	FRONT SCRAPER		09	11	11	12
42	0501064167	REAR SCRAPER		09	11	11	12
43	0503010740	BOLT 1/2 UNC X 2 CS G.5 ZN		36	44	52	58
44	0511017302	FLAT WASHER 13,50 X 32,50 X 3,0 ZN		72	88	104	119
45	0503010019	1/2" SPRING WASHER		36	44	52	58
46	0503010060	1/2 UNC G.5 ZN HEX NUT		36	44	52	58
47	0501040257	ASSY 3/4 X 38 HOSE SUPPORT	11	01	01	01	01
48	0501066386	TRANSPORT LOCK 9.54"		02	02	02	02
49	0501051043	HOSE ASSY	6	01	00	00	00
50	0501043448	OIL TUBE ASSY		01	01	01	01
50A	0501068706	DOUBLE CONNECTION		01	01	01	01
50B	0501010080	3/8" BOLT		02	02	02	02
50C	0503010025	3/8 SPRING WASHER		05	05	05	05
50D	0503010026	3/8" NUT		02	02	02	02
51	0511048088	DRAWBAR JACK	16	01	00	00	00
52	0511043153	DRAWBAR JACK	17	00	01	01	01
53	0502010477	HOSE CLAMP		05	05	05	05
54	0501061617	1" GANG BOLT WRENCH		01	01	01	01
55	0501011431	1-3/4" GANG BOLT WRENCH		02	02	02	02
56	0501061609	3/4" WRENCH CABLE CYLINDRICAL		01	01	01	01
57	0503010751	C3/8" X 1.1/4" HEX BOLT G.5		03	03	03	03
58	0501068994	8,30 X 78 LOCK PIN		03	03	03	03
59	0503030168	HITCH PIN CLIP		04	04	04	04
60	0521010549	COUPLING SHAFT		01	01	01	01
61	0503010002	1800 GREASE FITTING		02	02	02	02
62	0503010025	3/8 SPRING WASHER		02	02	02	02
63		GANG DISC	21				
64		SECTION DISCS FRONTS	20				



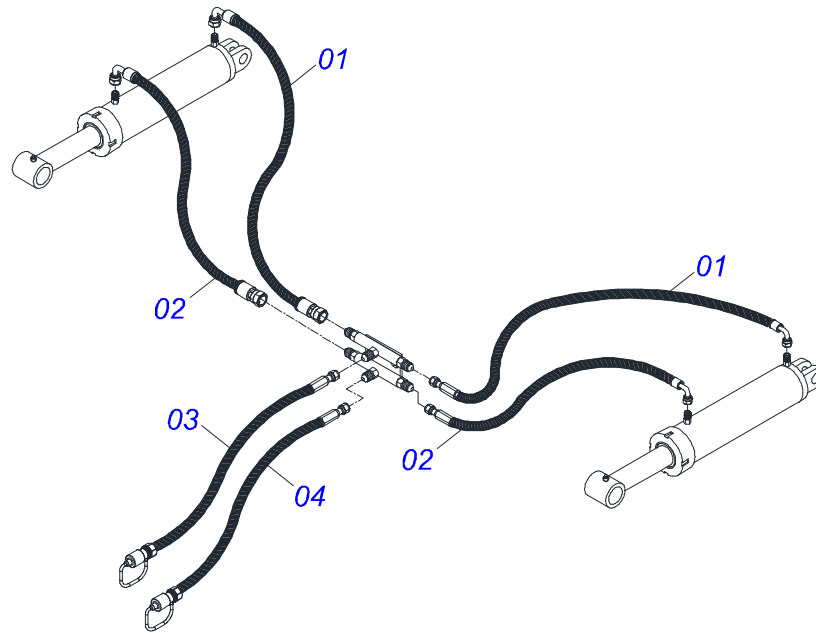
Item	Code	Description	See page	QT
01	0501069906	4" X 16" CYLINDER CASE		01
02	0521010422	HYDRAULIC CYLINDER TURNBUCKLE		01
03	0502040747	32.54 CLEVIS CLAMP		01
04	0503011094	BOLT 3/8" UNC X 2" C C S I 12.9		01
05	0503010025	3/8 SPRING WASHER		01
06	0503010026	3/8" NUT		01
07	0502010017	4" LID		01
08	0502010778	2" X 4.2" RING SUPPORT		01
09	0503010039	D-2000 SCRAPER RING		01
10	0503010991	1870-2000-375-B GASKET		01
11	0503010952	W2-2250-500 RING		01
12	0503011061	8-342 BACK-UP RING		01
13	0503010338	2-342 N 3006-9B O'RING		01
14	0503010345	2-218 N 3006-9B O'RING		01
15	0502010992	2.0" X 4.0" PISTON		01
16	0503010043	PACKING 3750-3250		02
17	0503010994	W2-4000-500 PK RING G.E		01
18	0503010817	SELF LOCKING NUT 1.1/4 UNF ALTA G.5 ZN		01
19	0503030385	CYLINDER PLUG N-002		02
20	0501031799	HYDRAULIC CYLINDER REPAIR KIT		01



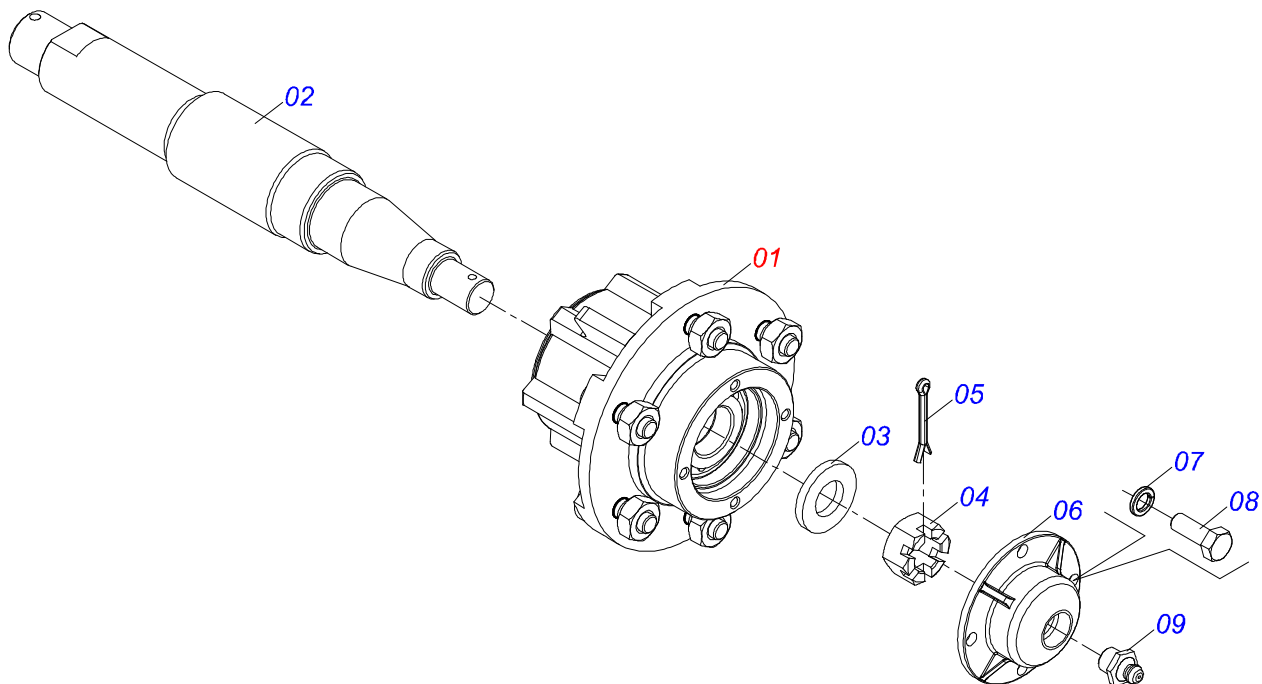
Item	Code	Description	See page	QT
01	0511070658	CYLINDER CASE		01
02	0571019958	HYDRAULIC CYLINDER TURNBUCKLE		01
03	0502040747	32.54 CLEVIS CLAMP		01
04	0503030385	CYLINDER PLUG N-002		02
05	0503010039	D-2000 SCRAPER RING		01
06	0503011094	BOLT 3/8" UNC X 2" C C S I 12.9		01
07	0503011443	SPRING WASHER 3/8"		01
08	0503010026	3/8" NUT		01
09	0502012820	2" X 4" PISTON		01
10	0503010817	SELF LOCKING NUT 1.1/4 UNF ALTA G.5 ZN		01
11	0503018025	RING GUIDE W2-2250-750		01
12	0503018026	GASKET 1870-2000-375 B POLYMAX		01
13	0503018024	RING BS OD050805200171D-BR		01
14	0503010338	2-342 N 3006-9B O'RING		02
15	0503011061	8-342 BACK-UP RING		02
16	0502012822	END CAP 4"		01
17	0502012821	2" X 4" RING SUPPORT		01
18	0503018029	O'RING 2-217 N 3006 90B		01
19	0503015633	SELEMASTER SEALING		01



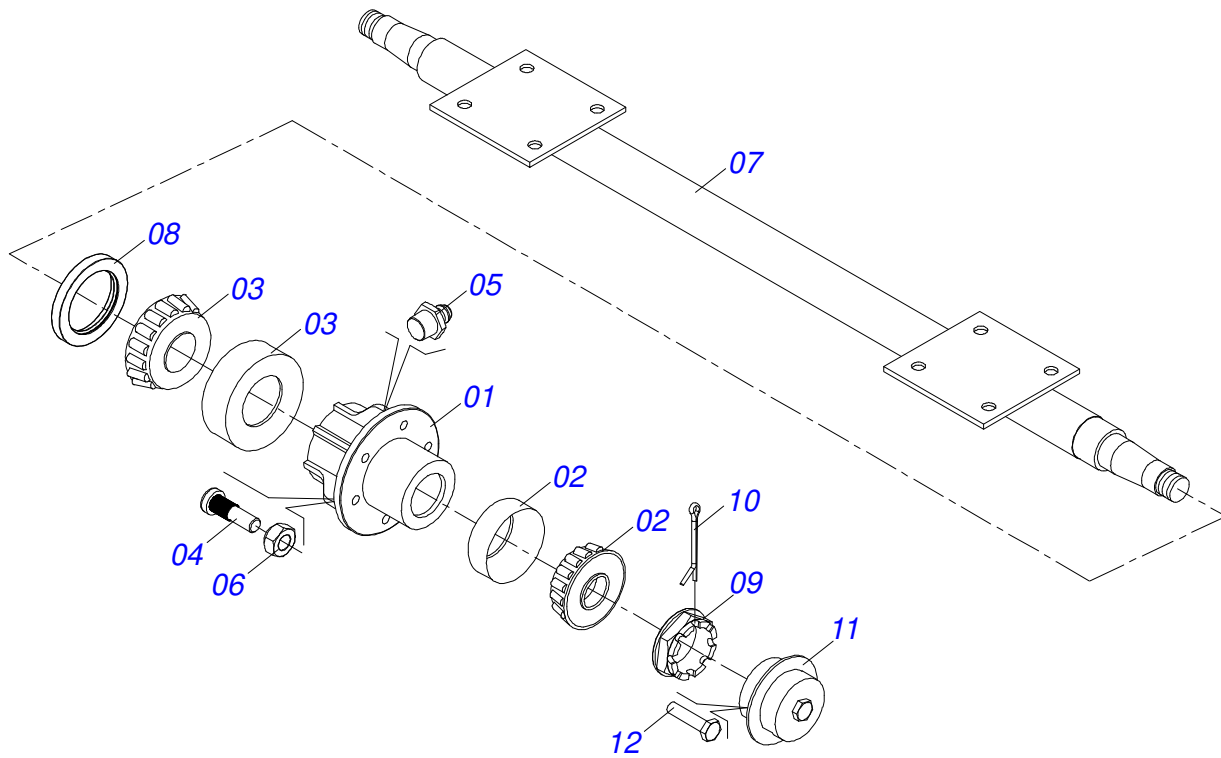
Item	Code	Description	See page	QT
01	0501067256	4" X 16" CYLINDER CASE		01
02	0501067733	2" X 17.5" TURNBUCLE WITH BUSHING		01
03	0502010017	4" LID		01
04	0502010778	2" X 4.2" RING SUPPORT		01
05	0503010039	D-2000 SCRAPER RING		01
06	0503010991	1870-2000-375-B GASKET		01
07	0503010952	W2-2250-500 RING		01
08	0503011061	8-342 BACK-UP RING		01
09	0503010338	2-342 N 3006-9B O'RING		01
10	0503010345	2-218 N 3006-9B O'RING		01
11	0502010992	2.0" X 4.0" PISTON		01
12	0503010043	PACKING 3750-3250		02
13	0503010994	W2-4000-500 PK RING G.E		01
14	0503010817	SELF LOCKING NUT 1.1/4 UNF ALTA G.5 ZN		01
15	0503010002	1800 GREASE FITTING		02
16	0503030385	CYLINDER PLUG N-002		02
17	0501031248	HYDRAULIC CYLINDER REPAIR KIT		01



Item	Code	Description	See page	QT
01	0501080054	3/8" X 17" TR-TC HOSE ASSY		02
02	0501080413	3/8" X 27" TR-TC HOSE		02
03	0501080458	3/8" X 315" TC-TM HOSE ASSY		01
04	0501080459	3/8" X 322" TC-TM HOSE ASSY		01

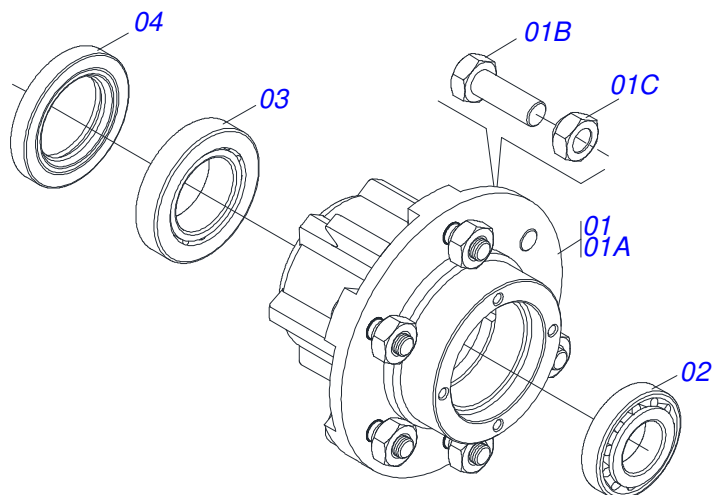


Item	Code	Description	See page	QT
01	0501051142	CARRYING WHEEL HUB	9	01
02	0521010821	2.5" X 16.5" AXLE		01
03	0501016545	FLAT WASHER		01
04	0503030009	1" CASTLE NUT		01
05	0503010018	5/32" X 1-1/2" SPLIT PIN		01
06	0502020591	PROTECCION COVER		01
07	0503011444	SPRING WASHER 5/16"		04
08	0503010358	5/16" X 5/8" BOLT		04
09	0503010002	1800 GREASE FITTING		01

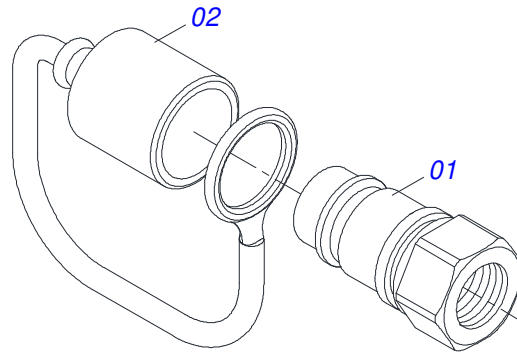


Item	Code	Description	See page	QT
01	0502011389	BOX		02
02	0503010006	32210 ROLLER BEARING		02
03	0503010005	32212 ROLLER BEARING		02
04	0501010186	WHEEL BOLT 5/8" UNF X 2.1/8CR		12
05	0503010002	1800 GREASE FITTING		02
06	0503010064	5/8 UNF CONIC NUT		12
07	0501067004	3" X 85" AXLE		01
08	0503011866	SEAL 00573-B WITH HOLE		02
09	0501010888	1.3/4" 2.5/16" CASTLE NUT		02
10	0503010010	SPLIT PIN 1/4" X 2.1/2"		02
11	0502020593	COVER		02
12	0503010295	SCREW 5/16 UNC X 5/8 CS G.2 ZN		02

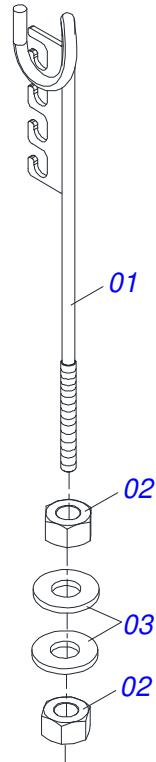
CARRYING WHEEL HUB



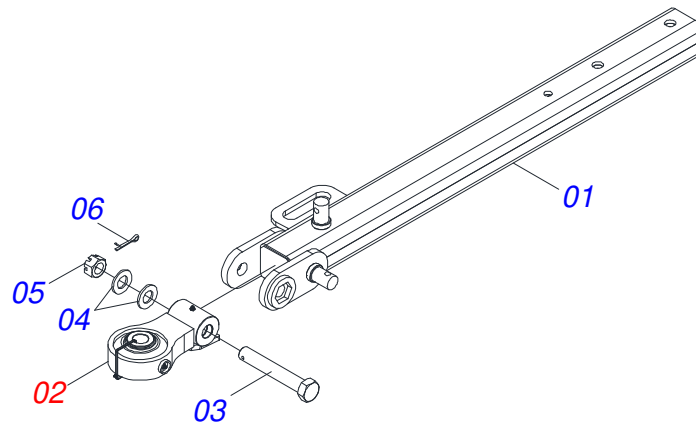
Item	Code	Description	See page	QT
01	0501110728	WHEEL HUB		01
01A	0502011121	CARRYING WHEEL HUB		01
01B	0501010127	9/16" X 1-7/8" LUG BOLT		06
01C	0503010035	9/16" CONIC NUT		06
02	0503010037	30207 ROLLER BEARING		01
03	0503010006	32210 ROLLER BEARING		01
04	0503012928	SEAL		01



Item	Code	Description	See page	QT
01	0503011627	MALE QUICK COUPLER AGR 1/2 NPT		01
02	0503011882	MALE QUICK COUPLER CAP		01

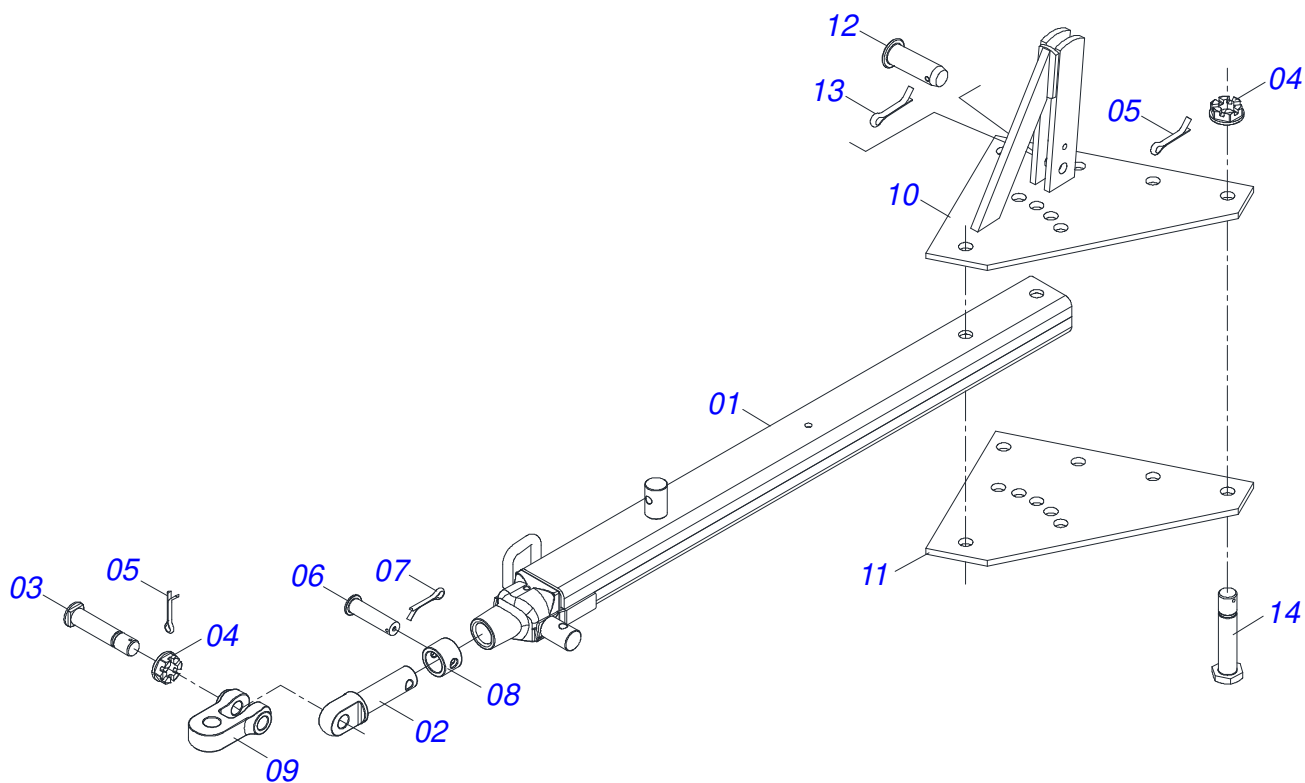


Item	Code	Description	See page	QT
01	0511067334	HOSE SUPPORT		01
02	0503010014	3/4" ZN G.5 (HEAVY) UNC HEX NUT		02
03	0501010322	20,50 X 46 X 4,00 ZN FLAT WASHER		02

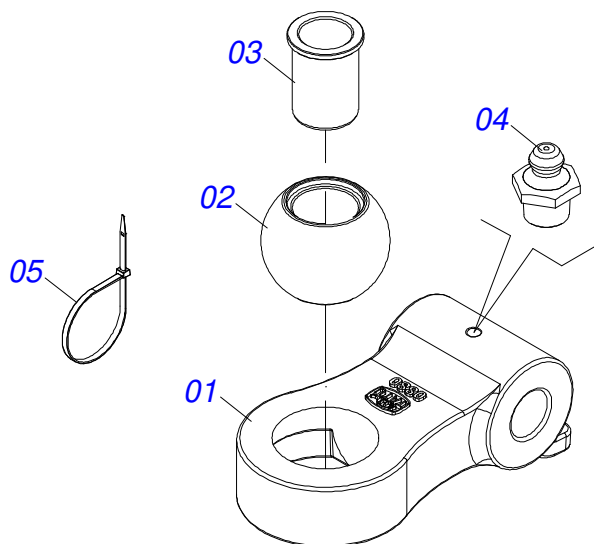


Item	Code	Description	See page	QT
01	0521069165	DRAWBAR		01
02	0521057520	HITCH ASSY	14	01
03	0581015973	1.1/4 UNC X 8 C S G5 SCREW		01
04	0501017779	FLAT WASHER 32 X 60 X 4,75		02
05	0503013026	1.1/4" CASTLE NUT		01
06	0503010010	SPLIT PIN 1/4" X 2.1/2"		01

DRAWBAR ASSY

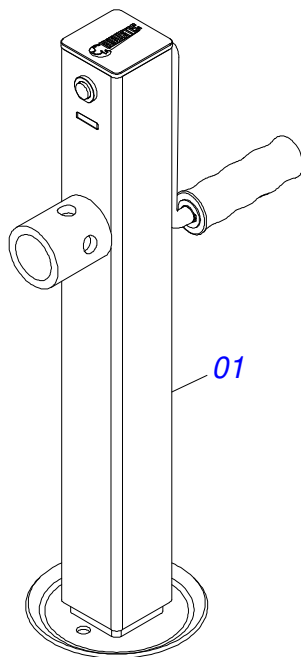


Item	Code	Description	See page	QT
01	0501069323	TRACTION BAR		01
02	1902040223	PIN HITCH		01
03	0521012545	COUPLING SHAFT		01
04	0501011301	1.1/2" UNC 6FPP 2.5/16" NUT		07
05	0503010010	SPLIT PIN 1/4" X 2.1/2"		07
06	0511014902	COUPLING SHAFT		01
07	0503010571	1/4" X 1.1/2" SPLIT PIN		01
08	1902040327	LOCK SLEEVE		01
09	1902040732	COUPLING		01
10	0501067250	UPPER PLATE WITH SUPPORT		01
11	0511016137	UPPER /LOWER PLATE		01
12	0521010779	31.75 X 95 COUPLING SHAFT		01
13	0503010523	1/4" X 2" SPLIT PIN		01
14	0501016419	1-1/2" X 7.5" BOLT		06

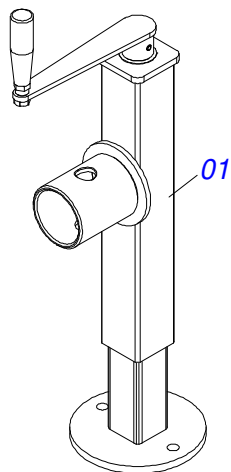


Item	Code	Description	See page	QT
01	0502040880	HITCH BODY		01
02	0502040885	BODY ATTACHMENT		01
03	0591012511	SLEEVE		01
04	0503010002	1800 GREASE FITTING		01
05	0503018829	NYLON CLAMP 7,8 X 1,8 X 390 MM		01

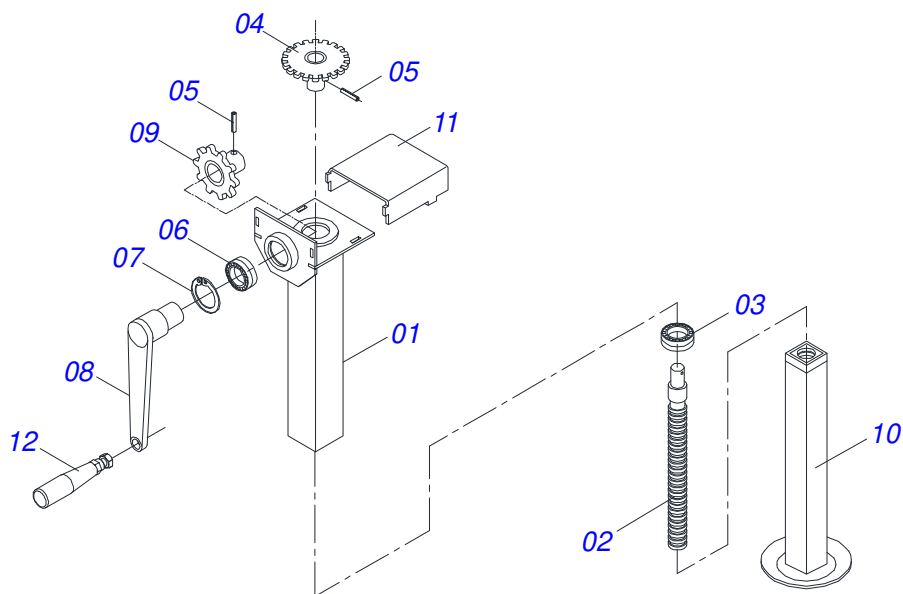
DRAWBAR JACK



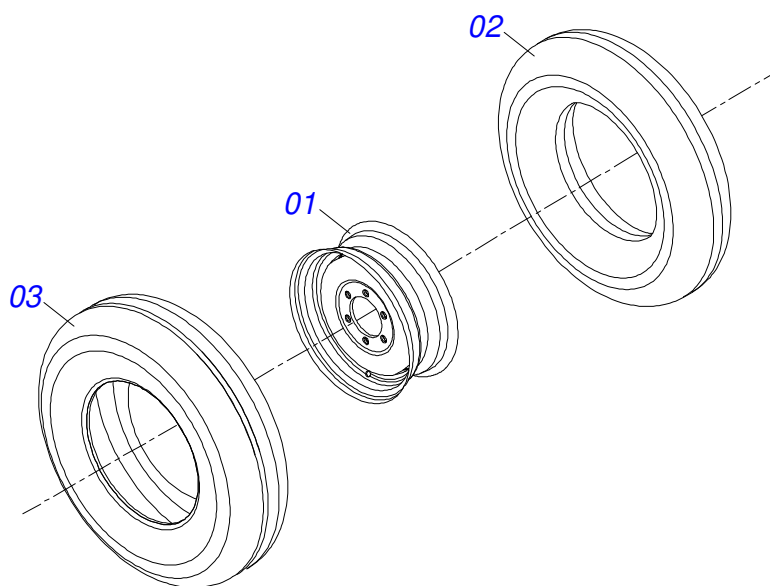
Item	Code	Description	See page	QT
01	0503062157	DRAWBAR JACK	15	01



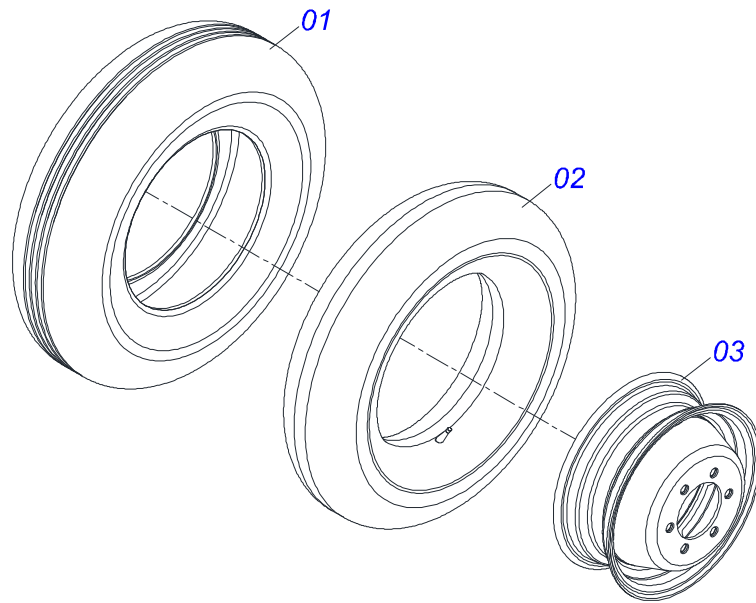
Item	Code	Description	See page	QT
01	0503062227	DRAWBAR JACK		01



Item	Code	Description	See page	QT
01	0511065948	OUTER BODY DRAWBAR JACK		01
02	0531017603	JACK SPINDLE		01
03	0503013092	51305 BEARING		01
04	0511064234	20Z DRIVER GEAR		01
05	0503010561	SPRING PIN		02
06	0503011410	ROLLER BEARING		01
07	0503011105	SEAL RING		01
08	0511064235	JACK CRANK		01
09	0511064233	10Z DRIVER GEAR		01
10	0511064236	JACK INNER BODY		01
11	0531017602	PROTECTION COVER GEAR		01
12	0503011312	ROTATIVE CABLE		01

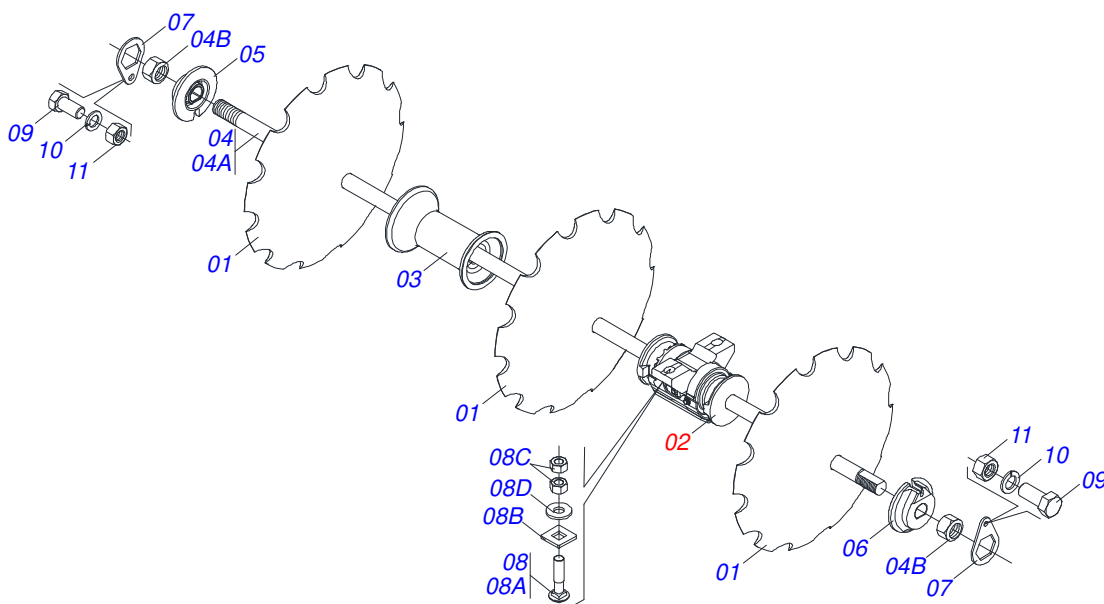


Item	Code	Description	See page	QT
01	0503010893	WHEEL		01
02	0503010033	7.50 X 16 INNER TIRE		01
03	0503010120	CANVAS TIRE		01



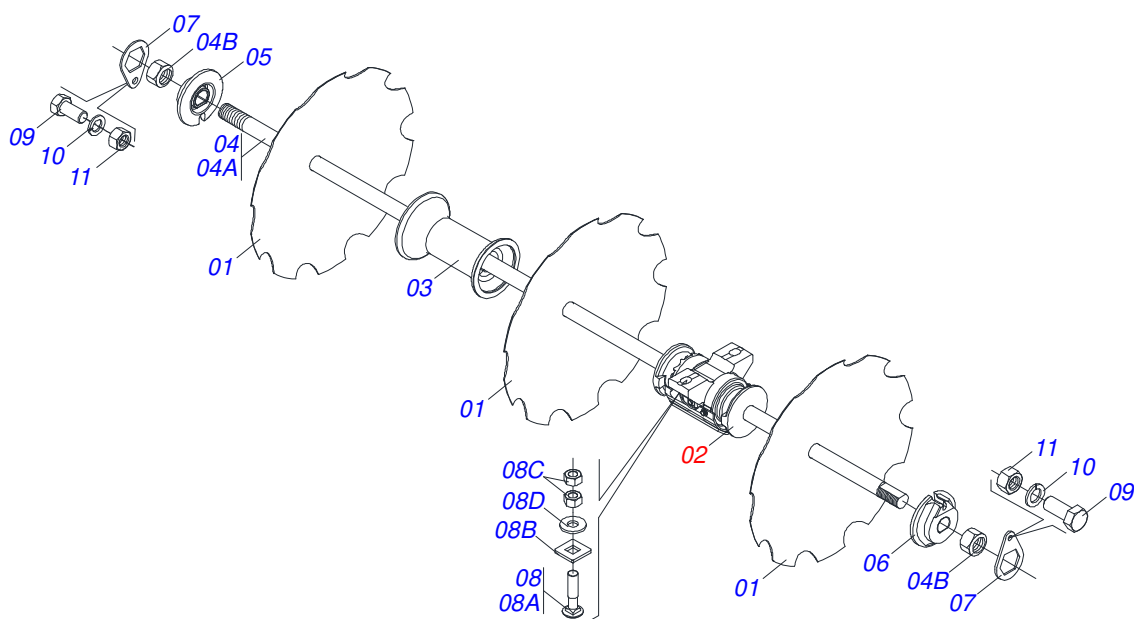
Item	Code	Description	See page	QT
01	0503010120	CANVAS TIRE		01
02	0503010033	7.50 X 16 INNER TIRE		01
03	0501061845	0.2"X0.6"X5.1"X6F0.6"X6.8"-D WHEEL		01

SECTION DISCS FRONTS

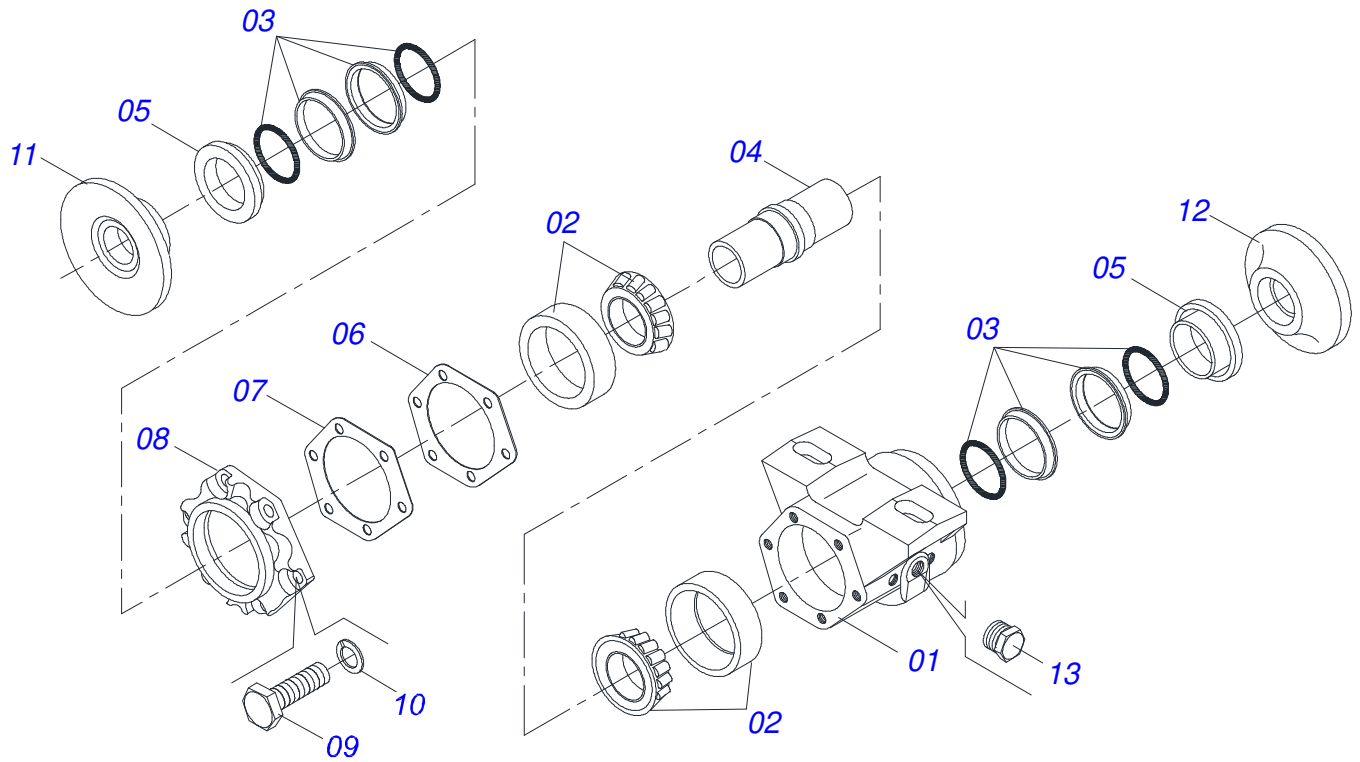


Item	Code	Description	See page	25	26	28	29	32	36	40	44
01	0602033005	DR 26 X 6 C90AF04FR1.11/16 10REC TATU		12	13	14	14	16	18	20	22
01.	0602037004	DR 28 X 6 C102AF04FR1.11/16 10REC TATU		12	13	14	14	16	18	20	22
01..	0602037006	DR 28 X 7,5 C102AF04FR1.11/16 10REC TATU		12	13	14	14	16	18	20	22
01...	0602033232	DR 26 X 6 C89AF02FR1.11/16 10REC TATU		12	13	14	14	16	18	20	22
02	0501043202	262 X 1-5/8" OIL BATH BRG ASSY,RG	22	04	05	05	05	06	07	08	10
02.	0501043090	262 X 1-5/8" GRESABLE BRG ASSY,RG	23	04	05	05	05	06	07	08	10
02..	0501046925	BEARING	24	04	05	05	05	06	07	08	10
03	0502010703	10.35" 1-5/8" SPACER		12	16	16	18	18	20	22	24
04	0501046856	1-5/8" X 59" AXLE WITH NUTS 2-3/4		00	02	00	03	03	00	00	00
04.	0501046859	1-5/8" X 70" AXLE WITH NUTS 2-3/4"		02	00	02	02	03	00	00	03
04..	0501046861	1-5/8" X 80" AXLE WITH NUTS 2-3/4"		02	00	02	02	03	00	00	03
04...	0501046854	1-5/8" X 48" AXLE WITH NUTS 2-3/4		02	00	02	02	03	00	00	03
04....	0501046811	1-5/8" X 38" AXLE WITH NUTS 2-3/4		02	00	02	02	03	00	00	03
04A	0501019012	1-5/8" X 59" AXLE		00	02	00	03	03	00	00	00
04A.	0501015631	1-5/8" X 70" AXLE		02	00	02	02	03	00	00	03
04A..	0501019015	1-5/8 X 80" AXLE		02	00	02	02	03	00	00	03
04A...	0501019016	1-5/8 X 48" AXLE		02	00	02	02	03	00	00	03
04A....	0501019013	1-5/8" X 38" AXLE		02	00	02	02	03	00	00	03
04B	0502040640	1.5/8" 2.3/4" NUT		04	06	06	06	08	08	08	10
05	0502011047	1-5/8" INNER AXLE WASHER		02	02	02	03	03	04	04	04
06	0502011048	1-5/8" EXTERNAL AXLE WASHER		02	02	02	03	03	04	04	04
07	0511014339	1-5/8" 2.8" NUT LOCK		04	04	04	04	06	06	06	08
08	0511040034	3/4" X 3-1/4" BOLT ASSY		04	04	04	06	06	06	06	08
08A	0501017303	3/4" X 3-1/4" BOLT		04	04	04	06	06	06	06	08
08B	0501010949	3/4" SQUARE WASHER		04	04	04	06	06	06	06	08
08C	0503010014	3/4" ZN G.5 (HEAVY) UNC HEX NUT		08	08	08	12	12	12	12	16
08D	0501010322	20,50 X 46 X 4,00 ZN FLAT WASHER		04	04	04	06	06	06	06	08
09	0503011267	BOLT 5/8" UNC X 1.1/2 C S G.5 ZN		02	02	02	04	04	04	06	06
10	0503010027	5/8 SPRING WASHER		02	02	02	04	04	04	06	06
11	0503010013	5/8" UNC G.5 ZN HEX NUT		02	02	02	04	04	04	06	06

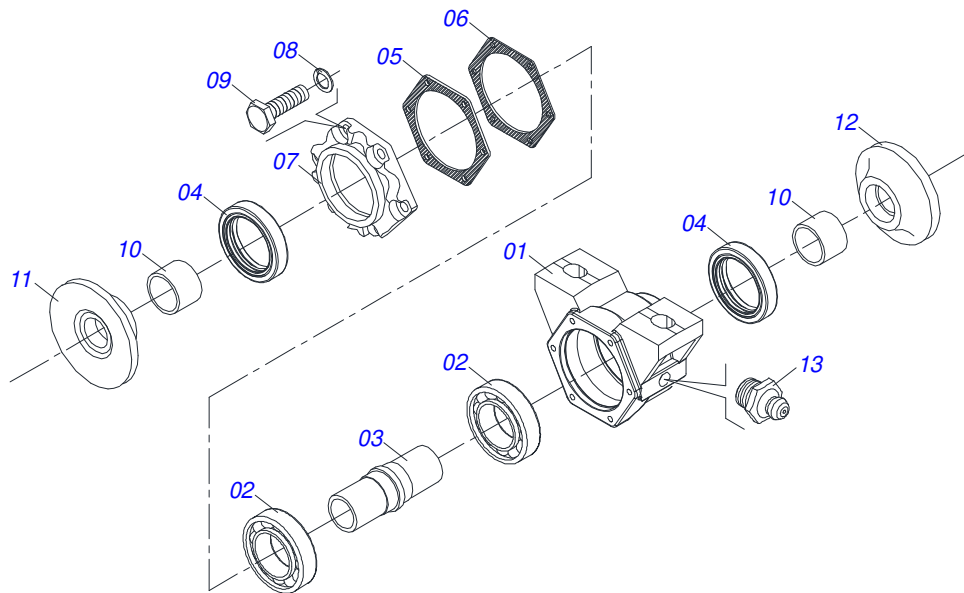
GANG DISC



Item	Code	Description	See page	25	26	28	29	32	36	40	44
01	0602033005	DR 26 X 6 C90AF04FR1.11/16 10REC TATU		12	13	14	14	16	18	20	22
01.	0602037004	DR 28 X 6 C102AF04FR1.11/16 10REC TATU		12	13	14	14	16	18	20	22
01..	0602037006	DR 28 X 7,5 C102AF04FR1.11/16 10REC TATU		12	13	14	14	16	18	20	22
01...	0602033232	DR 26 X 6 C89AF02FR1.11/16 10REC TATU		12	13	14	14	16	18	20	22
02	0501043202	262 X 1-5/8" OIL BATH BRG ASSY,RG	22	04	05	05	05	06	07	08	10
02.	0501043090	262 X 1-5/8" GRESABLE BRG ASSY,RG	23	04	05	05	05	06	07	08	10
02..	0501046925	BEARING	24	04	05	05	05	06	07	08	10
03	0502010703	10.35" 1-5/8" SPACER		12	16	16	18	18	20	22	24
04	0501046856	1-5/8" X 59" AXLE WITH NUTS 2-3/4		00	02	00	03	03	00	00	00
04.	0501046859	1-5/8" X 70" AXLE WITH NUTS 2-3/4"		02	00	02	02	03	00	00	03
04..	0501046861	1-5/8" X 80" AXLE WITH NUTS 2-3/4"		02	00	02	02	03	00	00	03
04...	0501046854	1-5/8" X 48" AXLE WITH NUTS 2-3/4		02	00	02	02	03	00	00	03
04....	0501046811	1-5/8" X 38" AXLE WITH NUTS 2-3/4		02	00	02	02	03	00	00	03
04A	0501019012	1-5/8" X 59" AXLE		00	02	00	03	03	00	00	00
04A.	0501015631	1-5/8" X 70" AXLE		02	00	02	02	03	00	00	03
04A..	0501019015	1-5/8 X 80" AXLE		02	00	02	02	03	00	00	03
04A...	0501019016	1-5/8 X 48" AXLE		02	00	02	02	03	00	00	03
04A....	0501019013	1-5/8" X 38" AXLE		02	00	02	02	03	00	00	03
04B	0502040640	1.5/8" 2.3/4" NUT		04	06	06	06	08	08	08	10
05	0502011047	1-5/8" INNER AXLE WASHER		02	02	02	03	03	04	04	04
06	0502011048	1-5/8" EXTERNAL AXLE WASHER		02	02	02	03	03	04	04	04
07	0511014339	1-5/8" 2.8" NUT LOCK		04	04	04	04	06	06	06	08
08	0511040034	3/4" X 3-1/4" BOLT ASSY		04	04	04	06	06	06	06	08
08A	0501017303	3/4" X 3-1/4" BOLT		04	04	04	06	06	06	06	08
08B	0501010949	3/4" SQUARE WASHER		04	04	04	06	06	06	06	08
08C	0503010014	3/4" ZN G.5 (HEAVY) UNC HEX NUT		08	08	08	12	12	12	12	16
08D	0501010322	20,50 X 46 X 4,00 ZN FLAT WASHER		04	04	04	06	06	06	06	08
09	0503011267	BOLT 5/8" UNC X 1.1/2 C S G.5 ZN		02	02	02	04	04	04	06	06
10	0503010027	5/8 SPRING WASHER		02	02	02	04	04	04	06	06
11	0503010013	5/8" UNC G.5 ZN HEX NUT		02	02	02	04	04	04	06	06

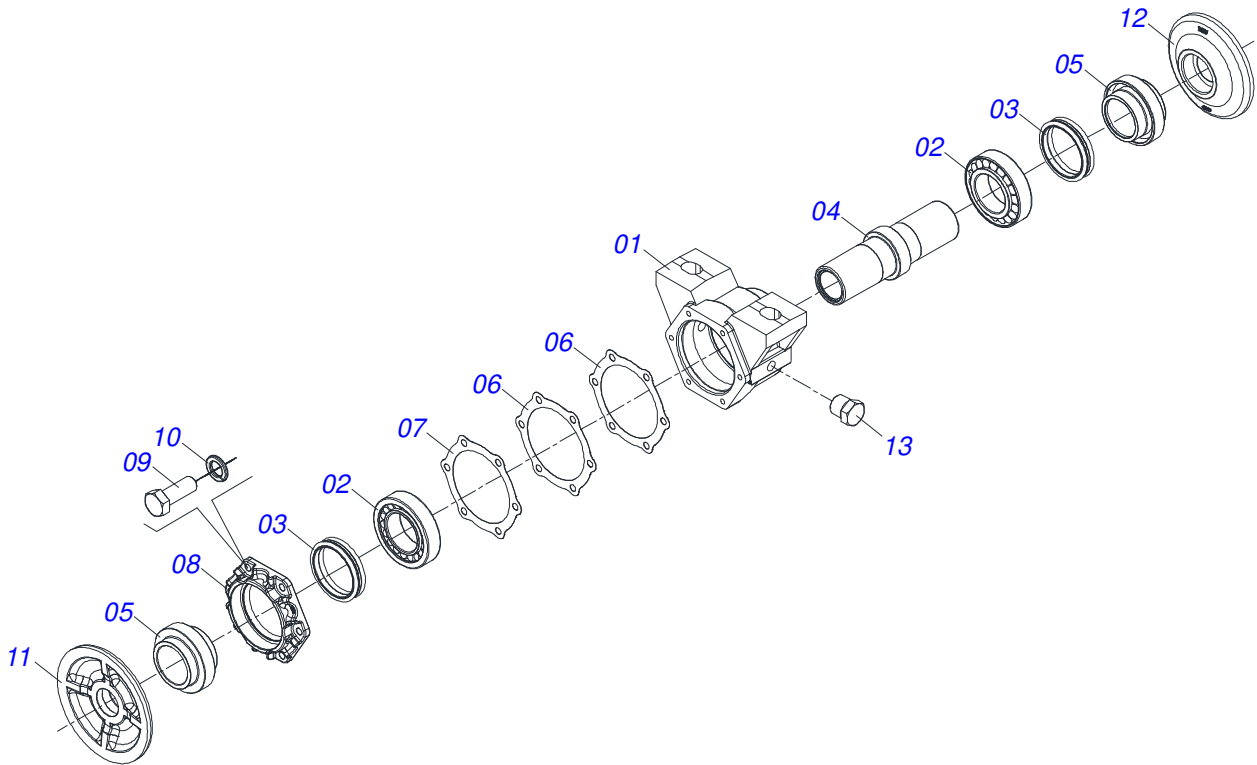


Item	Code	Description	See page	QT
01	0502020482	HOUSING DM		01
02	0503010005	32212 ROLLER BEARING		02
03	0503030027	DUO-CONE SEAL		02
04	0502010900	BEARING AXLE		01
05	0502010735	SEAL RETAINER		02
06	0503030030	5.6" X 4.4" X 0.01" GASKET		02
07	0503030685	5.5" X 4.4" X 0.003" GASKET		02
08	0502020161	WEAR PLATE BEARING		01
09	0503010237	3/8" X 1" BOLT		06
10	0503010025	3/8 SPRING WASHER		06
11	0502040239	OUTER FLANGE		01
12	0502040240	INNER FLANGE		01
13	0503010856	OIL PLUG R 3/8 BSPT		01

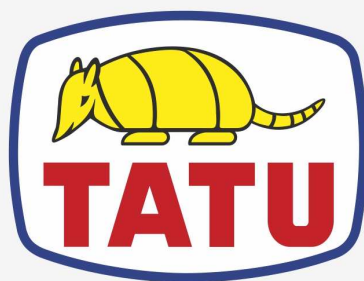


Item	Code	Description	See page	QT
01	0502020480	BEARING HOUSING, RG		01
02	0503010005	32212 ROLLER BEARING		02
03	0502010900	BEARING AXLE		01
04	0503010087	02017-GB GREASE SEAL		02
05	0503030030	5.6" X 4.4" X 0.01" GASKET		03
06	0503030685	5.5" X 4.4" X 0.003" GASKET		02
07	0502020523	BEARING CAP		01
08	0503011443	SPRING WASHER 3/8"		06
09	0503010237	3/8" X 1" BOLT		06
10	0502040591	SPACING BUSHING		02
11	0502040239	OUTER FLANGE		01
12	0502040240	INNER FLANGE		01
13	0503010002	1800 GREASE FITTING		01

BEARING



Item	Code	Description	See page	QT
01	0502020481	HOUSING DM		01
02	0503010005	32212 ROLLER BEARING		02
03	0503030027	DUO-CONE SEAL		02
04	0502010900	BEARING AXLE		01
05	0502010735	SEAL RETAINER		02
06	0503030030	5.6" X 4.4" X 0.01" GASKET		02
07	0503030685	5.5" X 4.4" X 0.003" GASKET		01
08	0502020161	WEAR PLATE BEARING		01
09	0503010237	3/8" X 1" BOLT		06
10	0503011443	SPRING WASHER 3/8"		06
11	0502040239	OUTER FLANGE		01
12	0502040240	INNER FLANGE		01
13	0503010856	OIL PLUG R 3/8 BSPT		01



MARCHESAN

Technical Publications | Elaboration and Revision

ALESSANDRA PATRICIA KAWAHARA CARRILI

www.marchesan.com.br

