

**OFFSET DISK HARROW**

**GAI 12 TO 40 D**

**Code:** 0501091163

**Series:** S-0692

**Revision:** 00

**Date Revision:** MAIO/2003

# PARTS CATALOGUE



**MARCHESAN**



# PRODUCTS

Code	Description
0102250109	GAI 12 X 26 X 6,00 CM S-0692
0102250119	GAI 12 X 26 X 6,00 CM PA S-0692
0102250111	GAI 12 X 26 X 6,00 DM S-0692
0102250120	GAI 12 X 26 X 6,00 DM PA S-0692
0102250110	GAI 12 X 28 X 6,00 CM S-0692
0102250121	GAI 12 X 28 X 6,00 CM PA S-0692
0102250112	GAI 12 X 28 X 6,00 DM S-0692
0102250122	GAI 12 X 28 X 6,00 DM PA S-0692
0102250105	GAI 14 X 26 X 6,00 CM S-0692
0102250123	GAI 14 X 26 X 6,00 CM PA S-0692
0102250107	GAI 14 X 26 X 6,00 DM S-0692
0102250124	GAI 14 X 26 X 6,00 DM PA S-0692
0102250106	GAI 14 X 28 X 6,00 CM S-0692
0102250125	GAI 14 X 28 X 6,00 CM PA S-0692
0102250108	GAI 14 X 28 X 6,00 DM S-0692
0102250126	GAI 14 X 28 X 6,00 DM PA S-0692
0102250162	GAI 14 X 28 X 7,50 DM PA S-0692
0102250001	GAI 16 X 26 X 6,00 CM S-0692
0102250029	GAI 16 X 26 X 6,00 CM PA S-0692
0102250015	GAI 16 X 26 X 6,00 DM S-0692
0102250043	GAI 16 X 26 X 6,00 DM PA S-0692
0102250002	GAI 16 X 28 X 6,00 CM S-0692
0102250030	GAI 16 X 28 X 6,00 CM PA S-0692
0102250016	GAI 16 X 28 X 6,00 DM S-0692
0102250044	GAI 16 X 28 X 6,00 DM PA S-0692
0102250113	GAI 16 X 28 X 7,50 CM S-0692
0102250032	GAI 16 X 28 X 7,50 CM PA S-0692
0102250114	GAI 16 X 28 X 7,50 DM S-0692
0102250135	GAI 16 X 28 X 7,50 DM PA S-0692
0102250133	GAI 16 X 28 X 7,50 DM EXP S-1296

## ATTENTION: IMPORTANT

Marchesan S.A. reserves the right to improve and/or modify the technical features of its products, without obligation to do the same with those products already sold and without prior knowledge of the dealer or the customer. The photos are only illustrative.



# PRODUCTS

0102250003	GAI 18 X 26 X 6,00 CM	S-0692
0102250031	GAI 18 X 26 X 6,00 CM PA	S-0692
0102250017	GAI 18 X 26 X 6,00 DM	S-0692
0102250045	GAI 18 X 26 X 6,00 DM PA	S-0692
0102250004	GAI 18 X 28 X 6,00 CM	S-0692
0102250064	GAI 18 X 28 X 6,00 CM PA	S-0692
0102250018	GAI 18 X 28 X 6,00 DM	S-0692
0102250115	GAI 18 X 28 X 6,00 DM	S-0692
0102250046	GAI 18 X 28 X 6,00 DM PA	S-0692
0102250128	GAI 18 X 28 X 7,50 CM	S-0692
0102250129	GAI 18 X 28 X 7,50 CM PA	S-0692
0102250062	GAI 18 X 28 X 7,50 DM	S-0692
0102250130	GAI 18 X 28 X 7,50 DM PA	S-0692
0102250169	GAI 20 PA S/SECAO DISCO	S-0692
0102250005	GAI 20 X 26 X 6,00 CM	S-0692
0102250033	GAI 20 X 26 X 6,00 CM PA	S-0692
0102250019	GAI 20 X 26 X 6,00 DM	S-0692
0102250047	GAI 20 X 26 X 6,00 DM PA	S-0692
0102250167	GAI 20 X 28 X 6,00 CM PA	S-0692
0102250166	GAI 20 X 28 X 6,00 DM PA	S-0692
0102250006	GAI 20 X 28 X 7,50 CM	S-0692
0102250034	GAI 20 X 28 X 7,50 CM PA	S-0692
0102250020	GAI 20 X 28 X 7,50 DM	S-0692
0102250048	GAI 20 X 28 X 7,50 DM PA	S-0692
0102250007	GAI 24 X 26 X 6,00 CM	S-1090
0102250035	GAI 24 X 26 X 6,00 CM PA	S-1090
0102250021	GAI 24 X 26 X 6,00 DM	S-1090
0102250049	GAI 24 X 26 X 6,00 DM PA	S-1090
0102250145	GAI 24 X 28 X 6,00 DM PA	S-1090
0102250008	GAI 24 X 28 X 7,50 CM	S-1090
0102250036	GAI 24 X 28 X 7,50 CM PA	S-1090

## ATTENTION: IMPORTANT

Marchesan S.A. reserves the right to improve and/or modify the technical features of its products, without obligation to do the same with those products already sold and without prior knowledge of the dealer or the customer. The photos are only illustrative.



# PRODUCTS

0102250022	GAI 24 X 28 X 7,50 DM	S-1090
0102250050	GAI 24 X 28 X 7,50 DM PA	S-1090
0102250009	GAI 28 X 26 X 6,00 CM	S-1090
0102250037	GAI 28 X 26 X 6,00 CM PA	S-1090
0102250023	GAI 28 X 26 X 6,00 DM	S-1090
0102250051	GAI 28 X 26 X 6,00 DM PA	S-1090
0102250148	GAI 28 X 28 X 6,00 DM PA	S-1090
0102250010	GAI 28 X 28 X 7,50 CM	S-1090
0102250038	GAI 28 X 28 X 7,50 CM PA	S-1090
0102250024	GAI 28 X 28 X 7,50 DM	S-1090
0102250052	GAI 28 X 28 X 7,50 DM PA	S-1090
0102250154	GAI 28 X 28 X 7,50 DM PA S/DC	S1090
0102250011	GAI 32 X 26 X 6,00 CM	S-1090
0102250039	GAI 32 X 26 X 6,00 CM PA	S-1090
0102250025	GAI 32 X 26 X 6,00 DM	S-1090
0102250053	GAI 32 X 26 X 6,00 DM PA	S-1090
0102250012	GAI 32 X 28 X 7,50 CM	S-1090
0102250040	GAI 32 X 28 X 7,50 CM PA	S-1090
0102250026	GAI 32 X 28 X 7,50 DM	S-1090
0102250054	GAI 32 X 28 X 7,50 DM PA	S-1090
0102250013	GAI 36 X 26 X 6,00 CM	S-1090
0102250041	GAI 36 X 26 X 6,00 CM PA	S-1090
0102250027	GAI 36 X 26 X 6,00 DM	S-1090
0102250055	GAI 36 X 26 X 6,00 DM PA	S-1090
0102250165	GAI 36 X 28 X 6,00 DM PA	S-1090
0102250014	GAI 36 X 28 X 7,50 CM	S-1090
0102250042	GAI 36 X 28 X 7,50 CM PA	S-1090
0102250028	GAI 36 X 28 X 7,50 DM	S-1090
0102250056	GAI 36 X 28 X 7,50 DM PA	S-1090
0102250061	GAI 40 X 26 X 6,00 CM	S-1090
0102250116	GAI 40 X 26 X 6,00 CM PA	S-1090

## ATTENTION: IMPORTANT

Marchesan S.A. reserves the right to improve and/or modify the technical features of its products, without obligation to do the same with those products already sold and without prior knowledge of the dealer or the customer. The photos are only illustrative.



# PRODUCTS

0102250058	GAI 40 X 26 X 6,00 DM	S-1090
0102250117	GAI 40 X 26 X 6,00 DM PA	S-1090
0102250059	GAI 40 X 28 X 7,50 CM	S-1090
0102250118	GAI 40 X 28 X 7,50 CM PA	S-1090
0102250060	GAI 40 X 28 X 7,50 DM	S-1090
0102250057	GAI 40 X 28 X 7,50 DM PA	S-1090

## ATTENTION: IMPORTANT

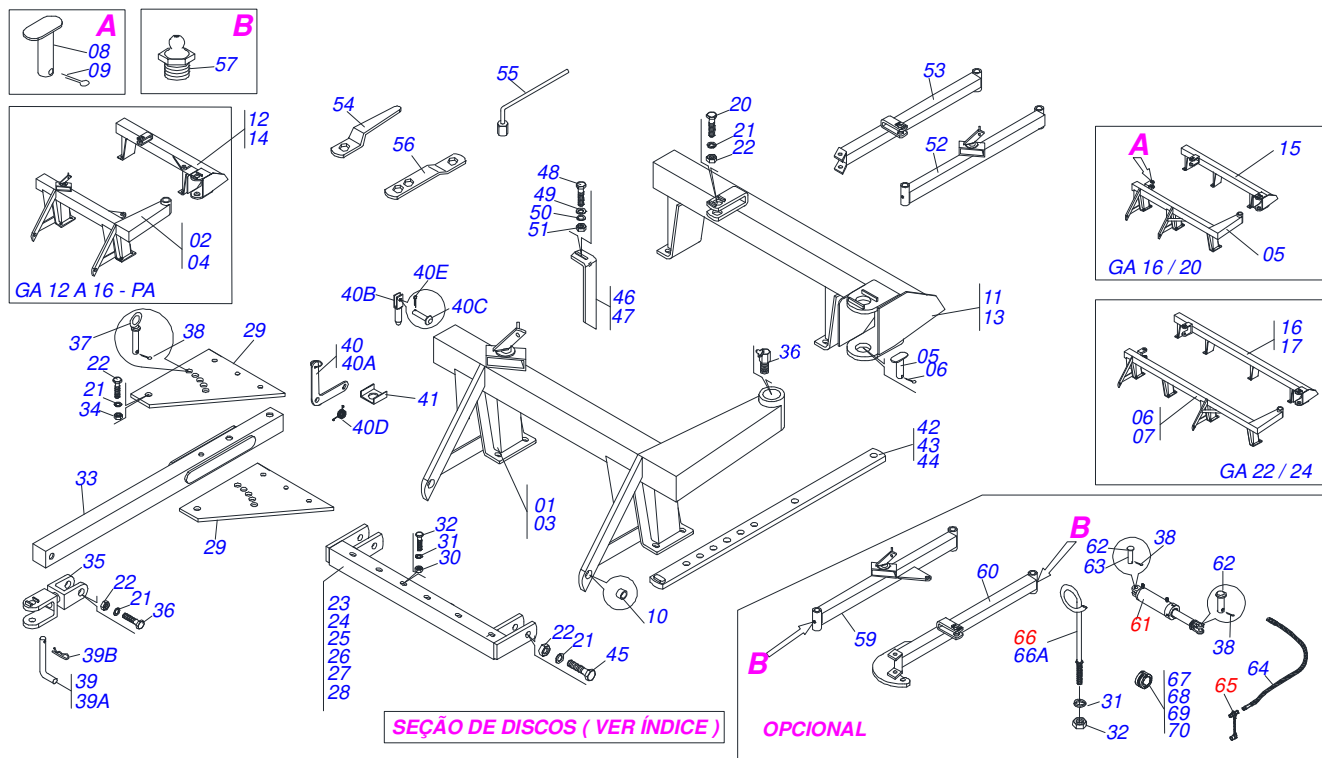
Marchesan S.A. reserves the right to improve and/or modify the technical features of its products, without obligation to do the same with those products already sold and without prior knowledge of the dealer or the customer. The photos are only illustrative.



**MARCHESAN**

# INDEX

0909090314	HINGE OFFSET DISK ARROW	.....	1
0909090315	HINGE OFFSET DISK HARROW	.....	2
0511059156	HYDRAULIC CYLINDER	.....	3
0909090130	GANG DISC	.....	4
0909090319	GANG DISC	.....	5
0501046925	262 X 1-5/8" OIL BATH BRG ASSY,FG	.....	6
0501043202	262 X 1-5/8" OIL BATH BRG ASSY,RG	.....	7
0511040032	262 X 1.5/8" OIL BATH BRG ASSY,OPT	.....	8
0909090233	GREASE BEARING ASSY	.....	9
0501042554	DRAWBAR JACK	.....	10



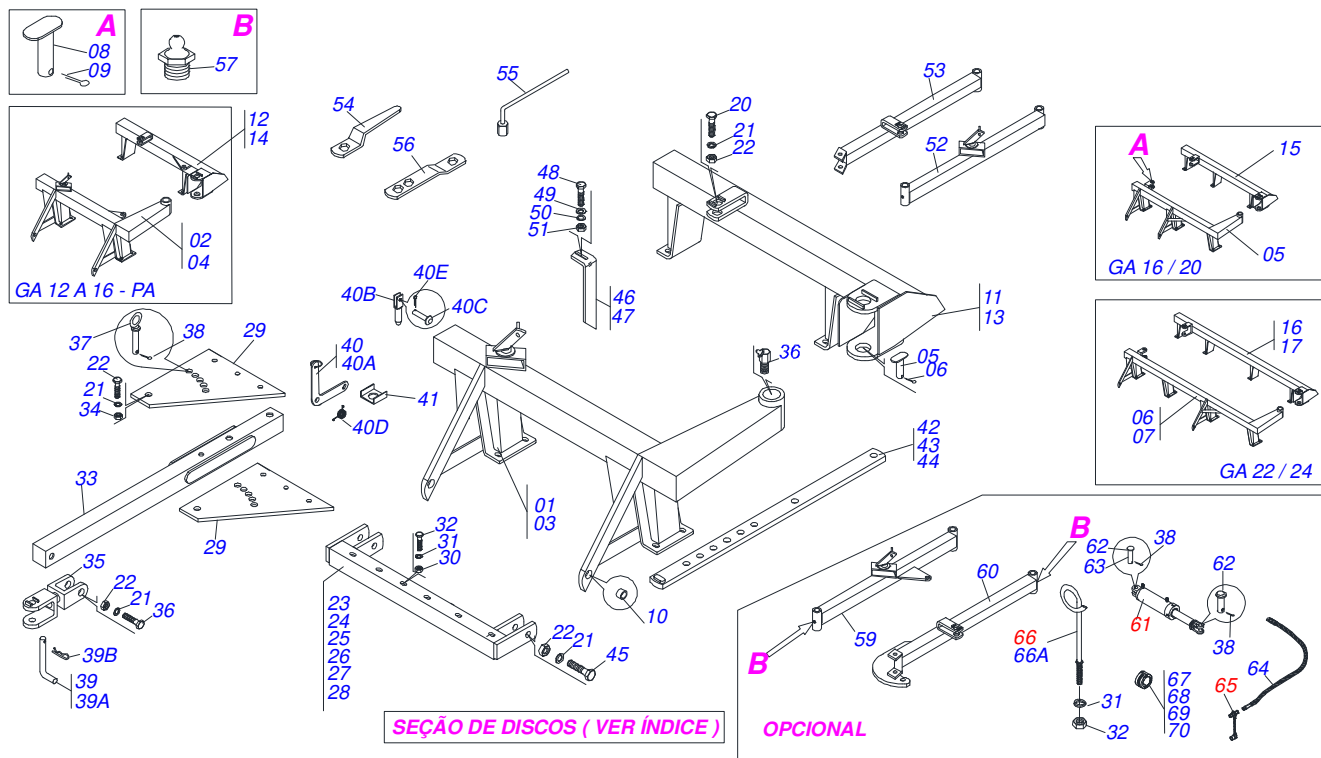
Item	Code	Description	See page	12	14	16	18	20
01	0501065488	FRAME FRONT		01				
02	0501065490	FRAME FRONT		01				
03	0501065519	FRAME FRONT			01			
04	0501065523	FRAME FRONT			01			
05	0501065528	FRAME FRONT				01		
06	0501065535	FRAME FRONT					01	
07	0501065539	FRAME FRONT						01
08	0521010644	1.5" X 8.4" COUPLING SHAFT			03	03	03	
09	0503010534	3/8 X 2-1/2 COTTERPIN			03	03	03	
10	0511019921	1.3" X 0.1" X 1" SLEEVE		02	02	02	02	02
11	0501065489	REAR FRAME		01				
12	0501065491	REAR FRAME		01				
13	0501065520	REARFRAME			01			
14	0501065524	REAR FRAME			01			
15	0501065527	REAR FRAME				01		
16	0501065536	REAR FRAME					01	
17	0501065540	REAR FRAME						01
18	0501065487	2.4" X 123" COUPLING SHAFT		01	01	01	01	01
19	0503010073	3/8 X 3-1/2 COTTERPIN		01	01	01	01	01
20	0503011432	BOLT		01	01	01	01	01
21	0503011438	SPRING WASHER		05	05	05	05	05
22	0501010059	1.5/8 NUT		05	05	05	05	05
23	0501043832	DRAWBAR ASSY		01				
24	0501043622	DRAWBAR ASSY			01		01	01
25	0501043831	DRAWBAR ASSY				01		
26	0501065544	OFFSET BAR		01				
27	0501065546	OFFSET BAR			01		01	01
28	0501065545	OFFSET BAR				01		
29	0501010241	UPPER /LOWER PLATE		02	02	02	02	02
30	0503011198	C3/4" X 6" SCREW		03	03	03	03	03
31	0521061775	TRACTOR HITCH		04	04	04	04	04



**GAI 12 TO 40 D**  
**HINGE OFFSET DISK ARROW**

Item	Code	Description	See page	12	14	16	18	20
32	0503010014	3/4" HEX NUT		05	05	05	05	05
33	0501060188	DRAWBAR ASSY		01	01	01	01	01
34	0501010191	1" X 6" BOLT		01	01	01	01	01
35	0501060190	TRACTOR HITCH		01	01	01	01	01
36	0501010060	1" X 6-1/2" BOLT		01	01	01	01	01
37	0501068993	0.9" X 5.5" COUPLING SHAFT		01	01	01	01	01
38	0503010571	1/4" X 1.1/2 COTTERPIN		04	04	04	04	04
39	0501040343	DRAWBOLT ASSY		01	01	01	01	01
39A	0521010453	AXI SHAFT		01	01	01	01	01
39B	0503031035	HITCH PIN CLIP		01	01	01	01	01
40	0501040757	ADJUSTMENT LEVER ASSY		01	01	01	01	01
40A	0501060196	ADJUSTMENT LEVER		01	01	01	01	01
40B	0501060185	ADJUSTMENT LOCK		01	01	01	01	01
40C	0521010624	0.4" X 1.5" COUPLING SHAFT		01	01	01	01	01
40D	0503030025	1.4" X 0.2" TORSION SPRING		01	01	01	01	01
40E	0503010071	3/16" X 1" COTTERPIN		01	01	01	01	01
41	0501011649	U 1.2" X 3.1"X 3/16" BAR		01	01	01	01	01
42	0501064196	ADJUSTMENT BAR		01				
43	0501064198	ADJUSTMENT BAR			01	01		
44	0501064197	ADJUSTMENT BAR				01	01	
45	0501011547	1" X 4-1/2" BOLT		02	02	02	02	02
46	0501064168	REAR SCRAPER		03	04	04	04	05
47	0501064167	REAR SCRAPER		03	04	04	04	05
48	0503011082	C1/2" X 1.3/4" SCREW		12	16	16	16	20
49	0511017302	FLAT WASHER 13,50 X 32,50 X 3,0 ZN		12	16	16	16	20
50	0503010019	1/2" SPRING WASHER		12	16	16	16	20
51	0503010060	1/2 UNC G.5 ZN HEX NUT		12	16	16	16	20
52	0501062506	FRONT STABILIZER BAR				01	01	
53	0501062508	REAR STABILIZER BAR				01	01	
54	0501011431	1-3/4" GANG BOLT WRENCH		02	02	02	02	02
55	0503016140	3/4" WRENCH CABLE CYLINDRICAL		01	01	01	01	01
56	0511018451	5/8" X 3/4" X 1" UNIVERSAL		01	01	01	01	01
57	0503010002	1800 GREASE FITTING		00	00	03	03	03
58	0503010003	1845 GREASE FITTING		01	01	01	01	01
59	0501062507	FRONT STABILIZER BAR					01	01
60	0501062509	REAR STABILIZER BAR					01	01
61	0501044370	1.7" X 3.4" X 20" X 8" HYDRAULIC CYLINDER		01	01	01	01	01
62	0521010576	0.9" X 3.7" COUPLING SHAFT		02	02	01	01	01
63	0521010584	C0.9" X 5.7" COUPLING SHAFT			01	01	01	
64	0501080361	3/8" X 157" TR-TM HOSE		02	02	02	02	02
65	0501053834	MALE QUICK COUPLER		02	02	02	02	02
66	0501040257	ASSY 3/4 X 38 HOSE SUPPORT		01	01	01	01	01
66A	0511067334	HOSE SUPPORT		01	01	01	01	01
67	0501047884	0.98" ROD STOP		01	01	01	01	01
68	0501047886	35 ROD STOP		01	01	01	01	01
69	0501047888	45 ROD STOP		01	01	01	01	01
70	0501047889	1.96" ROD STOP		01	01	01	01	01



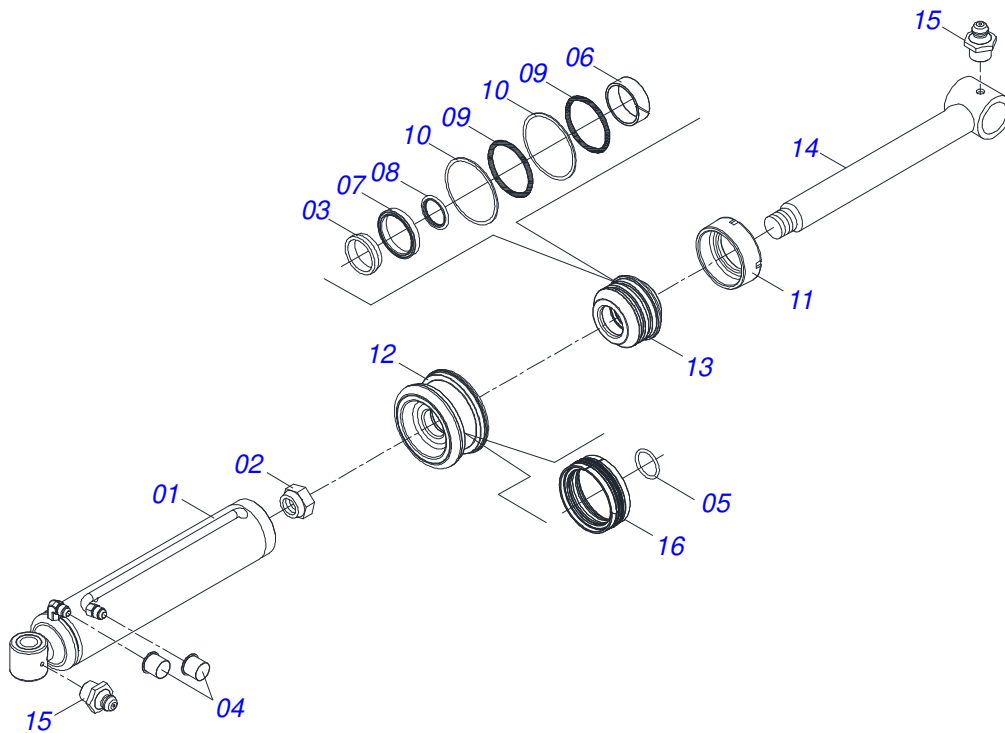


Item	Code	Description	See page	22	24	28	32	36	40
01	0511062992	FRAME FRONT		01					
02	0501061582	FRAME FRONT			01				
03	0501061598	FRAME FRONT				01			
04	0501061600	FRAME FRONT					01		
05	0501061601	FRAME FRONT						01	
06	0501064997	FRAME FRONT							01
07	0521010644	1.5" X 8.4" COUPLING SHAFT		02	02	02	02	02	02
08	0503010534	3/8 X 2-1/2 COTTERPIN		04	04	04	04	04	04
09	0511062993	REAR FRAME		01					
10	0501061585	REAR FRAME			01				
11	0501061599	REAR FRAME				01			
12	0501061602	REAR FRAME					01		
13	0501061603	REAR FRAME						01	
14	0501064998	REAR FRAME							01
15	0501062185	2.5" X 13.6" COUPLING SHAFT		01	01	01	01	01	01
16	0501010276	BOLT		01	01	01	01	01	01
17	0501011445	FLAT WASHER		01	01	01	01	01	01
18	0503011432	BOLT		01	01	01	01	01	01
19	0503011438	SPRING WASHER		01	01	01	01	01	01
20	0501010059	1.5/8 NUT		01	01	01	01	01	01
21	0521062520	OFFSET BAR		01	01	01	01	01	01
22	0521062520	OFFSET BAR		01	01	01	01	01	01
23	0501010272	UPPER/LOWER PLATE		02	02	02	02	02	02
24	0501010295	1-1/2" X 6.9" BOLT		05	05	05	05	05	05
25	0501011301	1.1/2 UNC 6FPP 2.5/16 NUT		08	08	08	08	08	08
26	0503010010	1/4" X 2.1/2" COTTERPIN		08	08	08	08	08	08
27	0501060316	DRAWBAR ASSY		01	01	01	01	01	01
28	0501060317	TRACTOR HITCH		01	01	01	01	01	01
29	0501016415	1-1/2" X 9.6" BOLT		01	01	01	01	01	01
30	0503010571	1/4" X 1.1/2 COTTERPIN		01	01	01	01	01	01
31	0501012916	FLAT WASHER 40 X 66 X 4,75 ZN		05	05	05	05	05	05

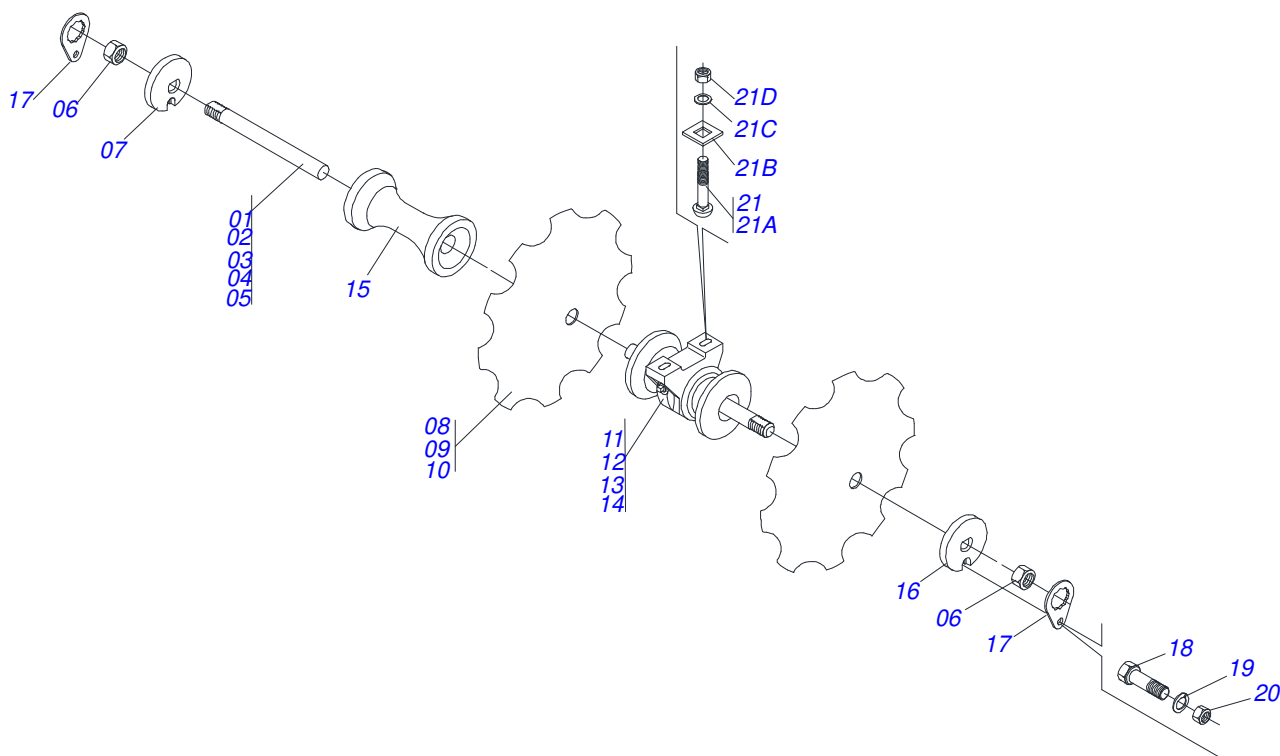


GAI 12 TO 40 D  
HINGE OFFSET DISK HARROW

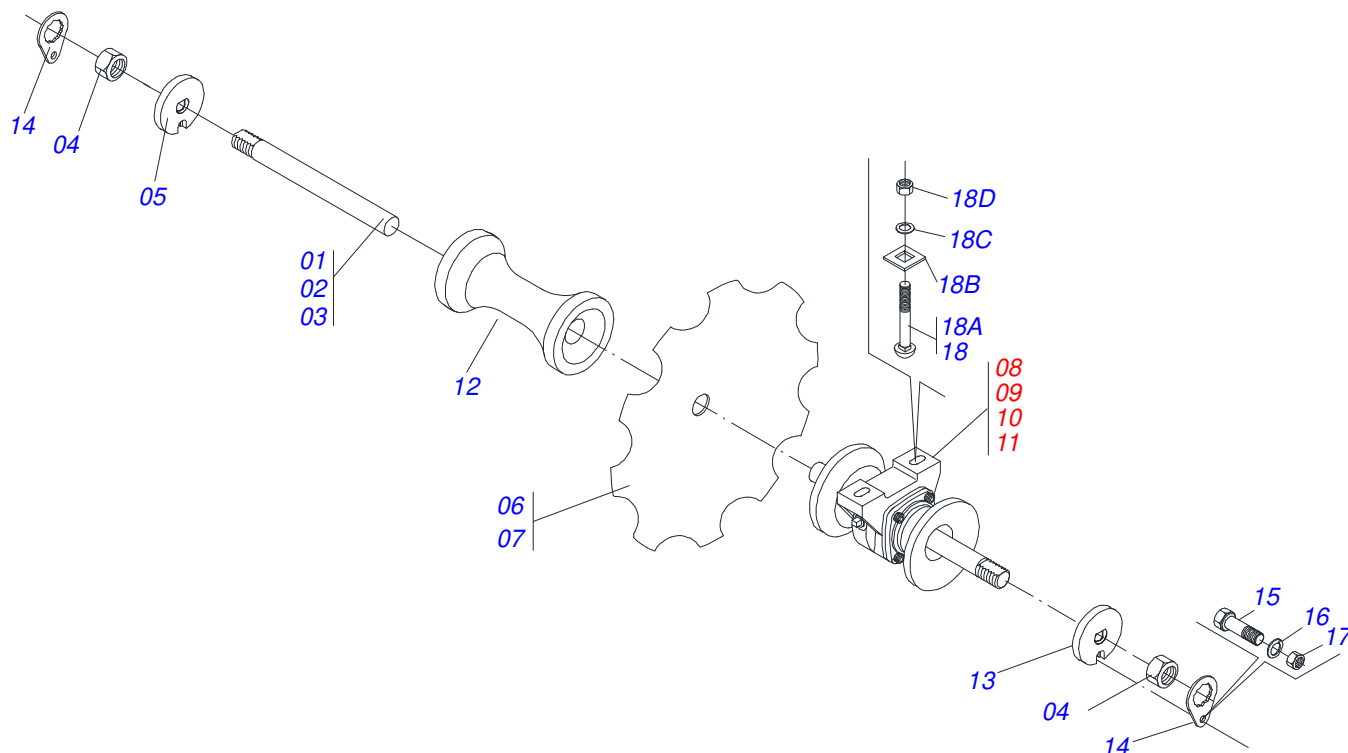
Item	Code	Description	See page	22	24	28	32	36	40
32	0501046869	DRAWBOLT ASSY		01	01	01	01	01	01
32A	0501066637	DRAWBOLT		01	01	01	01	01	01
33	0501040057	ADJUSTMENT ASSY		01	01	01	01	01	01
33A	0501060314	REGISTO BOX		01	01	01	01	01	01
33B	0501060196	ADJUSTMENT LEVER		01	01	01	01	01	01
33C	0501060185	ADJUSTMENT LOCK		01	01	01	01	01	01
33D	0501010077	1/2" X 2" BOLT		01	01	01	01	01	01
33E	0503030025	1.4" X 0.2" TORSION SPRING		01	01	01	01	01	01
33F	0503010071	3/16" X 1" COTTERPIN		02	02	02	02	02	02
33G	0501010549	FLAT WASHER		01	01	01	01	01	01
34	0501011649	U 1.2" X 3.1"X 3/16" BAR		01	01	01	01	01	01
35	0501041216	ADJUSTMENT BAR ASSY		01	01	01	01	01	01
35A	0501013284	ADJUSTMENT BAR		01	01	01	01	01	01
35B	0501060434	BEATER BOX		01	01	01	01	01	01
35C	0521010573	0.9" X 3.1" COUPLING SHAFT		01	01	01	01	01	01
36	0501016416	1-1/2" X 5.4" BOLT		02	02	02	02	02	02
37	0501061588	FRONT SCRAPER		06	07	09	09	11	13
38	0501062732	REAR SCRAPER		06	07	09	09	11	13
39	0503010740	BOLT 1/2 UNC X 2 CS G.5 ZN		24	28	36			
40	0503010740	BOLT 1/2 UNC X 2 CS G.5 ZN					36	44	52
41	0501010242	SCRAPER LOCK		12	14	18	18	22	26
42	0511017302	FLAT WASHER 13,50 X 32,50 X 3,0 ZN		24	28	36	36	44	52
43	0503010019	1/2" SPRING WASHER		24	28	36	36	44	52
44	0503010060	1/2 UNC G.5 ZN HEX NUT		26	30	38	38	46	54
45	0501060308	FRONT STABILIZER BAR		01	01	01	01	01	01
46	0501040324	REAR STABILIZER BAR ASSY		01	01	01	01	01	01
46A	0501060313	REAR STABILIZER BAR		01	01	01	01	01	01
46B	0501063253	2" X 11.9" COUPLING SHAFT		01	01	01	01	01	01
47	0501011431	1-3/4" GANG BOLT WRENCH		02	02	02	02	02	02
48	0503016140	3/4" WRENCH CABLE CYLINDRICAL		01	01	01	01	01	01
49	0511018451	5/8" X 3/4" X 1" UNIVERSAL		01	01	01	01	01	01
50	0503010002	1800 GREASE FITTING		03	03	03	03	03	03
51	0503010003	1845 GREASE FITTING		01	01	01	01	01	01
52	0501040083	2.0" X 4" X 26" X 15" HYDRAULIC CYLINDER		01	01	01	01	01	01
53	0521010546	1.2" X 5.7" COUPLING SHAFT		02	02	02	02	02	02
54	0503010523	1/4" X 2" SPLIT PIN		02	02	02	02	02	02
55	0501080001	1/2" X 177" TR-TM HOSE ASSY		02	02	02	02	02	02
56	0501053834	MALE QUICK COUPLER		02	02	02	02	02	02
57	0501040257	ASSY 3/4 X 38 HOSE SUPPORT		01	01	01	01	01	01
57A	0511067334	HOSE SUPPORT		01	01	01	01	01	01
57B	0503010023	3/4" SPRING WASHER		01	01	01	01	01	01
57C	0503010014	3/4" HEX NUT		02	02	02	02	02	02
58	0501042554	DRAWBAR JACK	10	01	01	01	01	01	01
59	0521010549	COUPLING SHAFT		01	01	01	01	01	
60	0503030168	HITCH PIN CLIP		01	01	01	01	01	



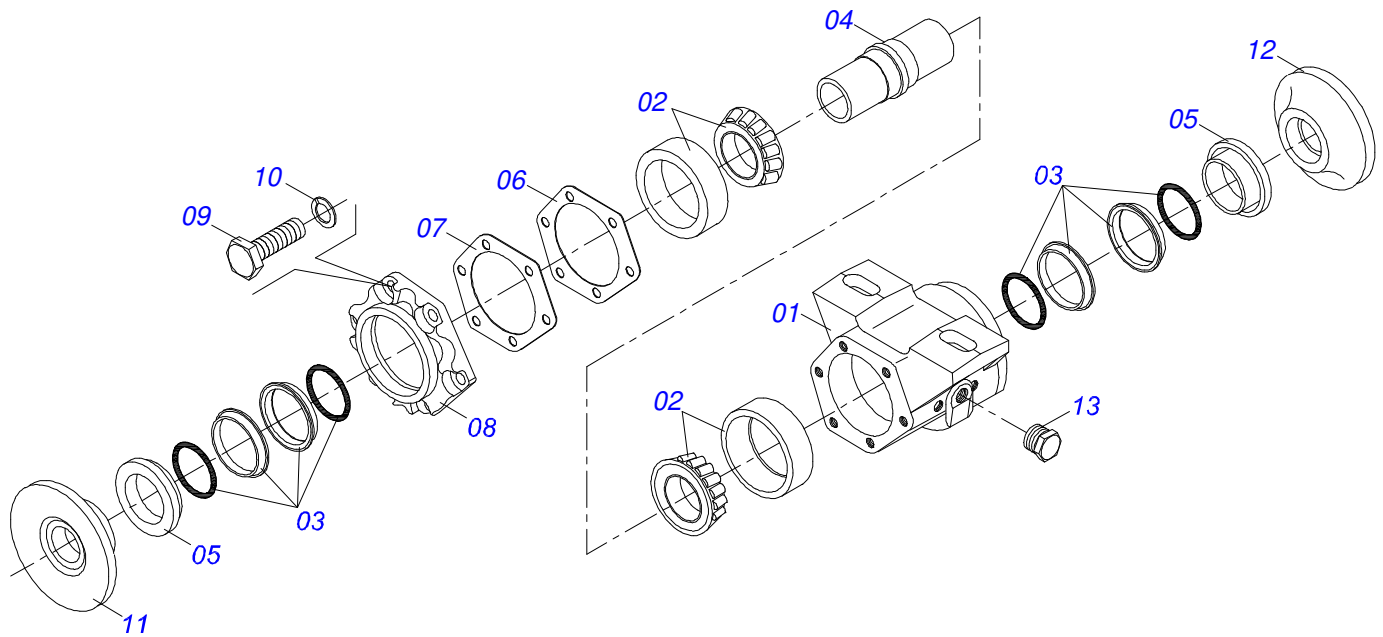
Item	Code	Description	See page	QT
01	0521066349	CYLINDER CASE		01
02	0503010817	1.1/4" SELF LOCKING NUT		01
03	0503010039	D-2000 SCRAPER RING		01
04	0503030387	PLUG		02
05	0503018029	2-217 O'RING		01
06	0503018025	RING GUIDE		01
07	0503018026	1870-2000-375 B GASKET		01
08	0503018024	RING BS		01
09	0503010338	2-342 N 3006-9B O'RING		02
10	0503011061	8-342 BACK-UP RING		02
11	0502012822	101.60 END CAP		01
12	0502012820	50,80 X 101,60 PISTON		01
13	0502012821	50.80 X 101.60 RING SUPPORT		01
14	0511070665	TURNBUCLELE		01
15	0503010002	1800 GREASE FITTING		02
16	0503015633	SELEMASTER SEALING		01



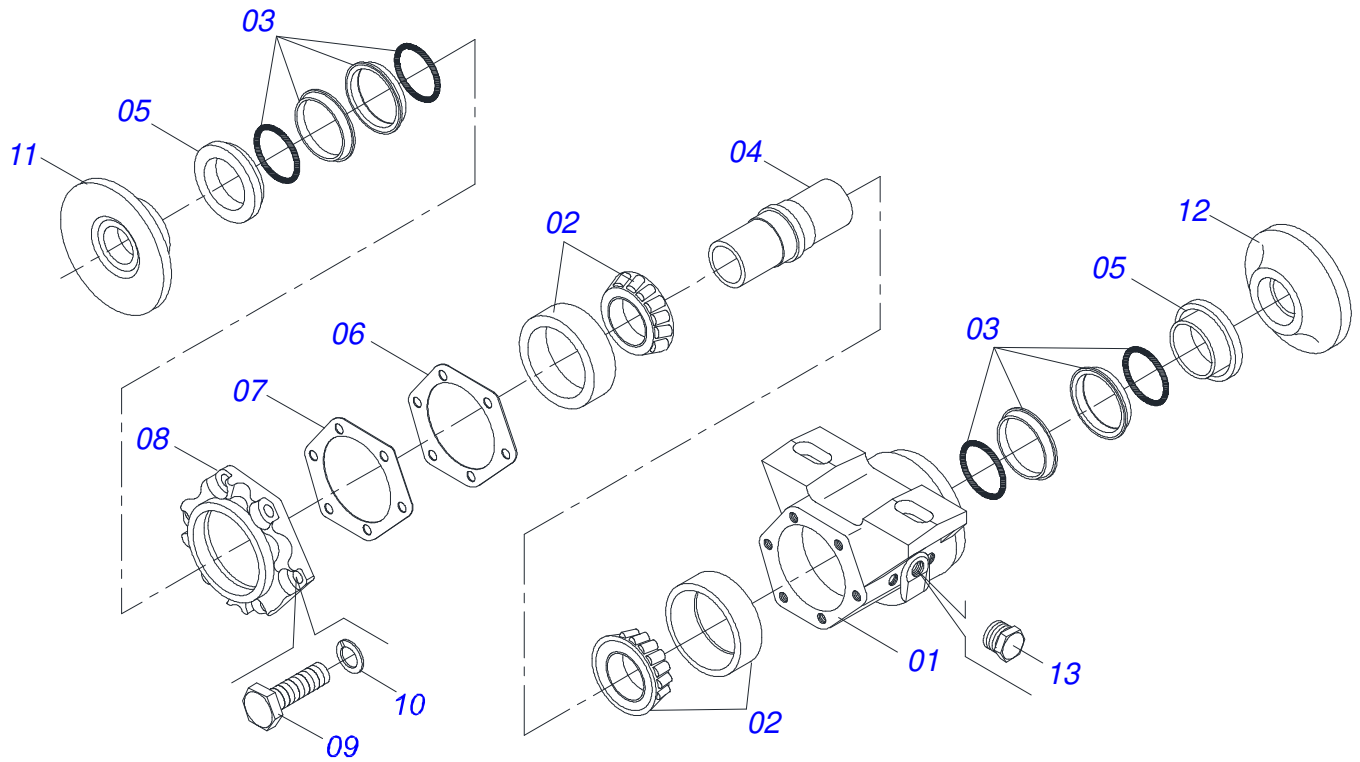
Item	Code	Description	See page	12	14	16	18	20	22
00	0501046811	1-5/8" X 38"- AXLE WITH NUTS 2-3/4					02		
00A	0501046854	1-5/8" X 48" AXLE WITH NUTS 2-3/4					02	04	02
00B	0501046856	1-5/8" X 59" AXLE WITH NUTS 2-3/4		02				02	
00C	0501046859	1-5/8" X 70" AXLE WITH NUTS 2-3/4"		02					
00D	0501046861	1-5/8" X 80" AXLE WITH NUTS 2-3/4"				02			
01	0501019013	1-5/8" X 38" AXLE					02		
02	0501019016	1-5/8 X 48" AXLE					02	04	02
03	0501019012	1-5/8" X 59" AXLE		02				02	
04	0501015631	1-5/8" X 70" AXLE				02			
05	0501019015	1-5/8 X 80" AXLE					02		
06	0502040640	1.5/8" 2.3/4" NUT		04	04	04	08	08	08
07	0502011048	1-5/8" EXTERNAL AXLE WASHER		02	02	02	04	04	04
08	0602033005	26" X 0.2" NOTCHED DISC BLADE		12	14	16	18	20	22
09	0602037004	28" X 0.2" NOTCHED DISC BLADE		12	14	16	18	20	22
10	0602037006	DR28X7,5 C102AF04FR1.11/16 10R TATU		12	14	16	18	20	22
11	0501046916	262 X 1-5/8" GRESABLE BRG ASSY,FG		02	02	02	02	02	04
12	0501043090	262 X 1-5/8" GRESABLE BRG ASSY,RG		02	02	03	04	04	04
13	0501046925	262 X 1-5/8" OIL BATH BRG ASSY,FG	6	02	02	03	04	04	04
14	0501043202	262 X 1-5/8" OIL BATH BRG ASSY,RG	7	02	02	03	04	04	04
15	0502010703	10.35" 1-5/8" SPACER		06	08	08	06	08	10
16	0502011047	1-5/8" INNER AXLE WASHER		02	02	02	04	04	04
17	0511014339	1-5/8" 2.8" NUT LOCK		04	04	04	08	08	08
18	0503011267	5/8 UNC X 1.1/2 C S G.5 ZN BOLT		04	04	04	08	08	08
19	0503010027	5/8 SPRING WASHER		04	04	04	08	08	08
20	0503010013	5/8 NUT		04	04	04	08	08	08
21	0511040034	3/4" X 3-1/4" BOLT ASSY		08	08	12	16	16	16
21A	0501017303	3/4" X 3-1/4" BOLT		08	08	12	16	16	16
21B	0501010949	3/4" SQUARE WASHER		08	08	12	16	16	16
21C	0501010322	FLAT WASHER		08	08	12	16	16	16
21D	0503010014	3/4" HEX NUT		16	16	24	32	32	32



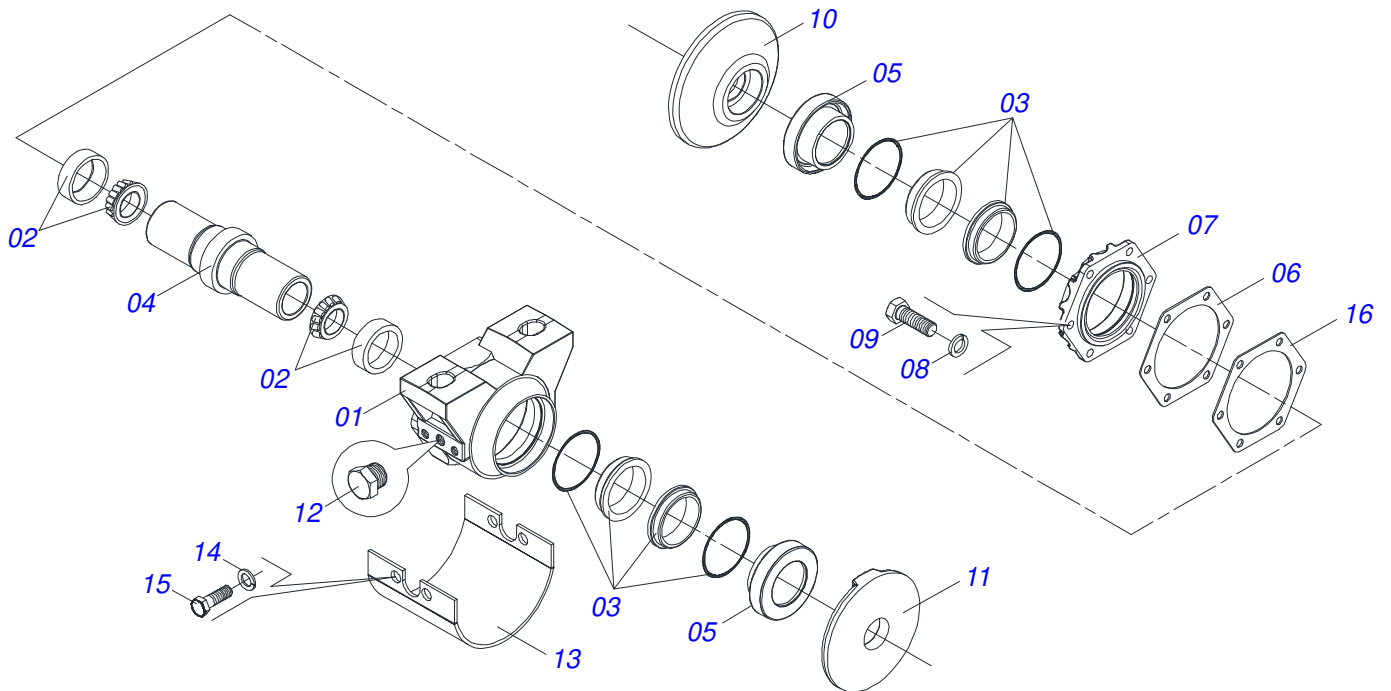
Item	Code	Description	See page	24	28	30	32	36	40
00	0501046854	1-5/8" X 48" AXLE WITH NUTS 2-3/4			06	04	08		
00A	0501046856	1-5/8" X 59" AXLE WITH NUTS 2-3/4		04	02	06			
00B	0501046859	1-5/8" X 70" AXLE WITH NUTS 2-3/4"		04					
01	0501019016	1-5/8 X 48" AXLE			06	04	08		
02	0501019012	1-5/8" X 59" AXLE		04	02	06			
03	0501015631	1-5/8" X 70" AXLE		04					
04	0502040640	1.5/8" 2.3/4" NUT		08	08	12	12	12	16
05	0502011048	1-5/8" EXTERNAL AXLE WASHER		04	04	06	06	06	08
06	0602033005	26" X 0.2" NOTCHED DISC BLADE		24	28	30	32	36	40
07	0602037077	28" X 0.3" NOTCHED DISC BLADE		24	28	30	32	36	40
08	0501046916	262 X 1-5/8" GRESABLE BRG ASSY,FG		04	04	06	06	06	08
09	0501043090	262 X 1-5/8" GRESABLE BRG ASSY,RG		04	04	06	06	06	08
10	0501046925	262 X 1-5/8" OIL BATH BRG ASSY,FG	6	04	04	06	06	06	08
11	0501043202	262 X 1-5/8" OIL BATH BRG ASSY,RG	7	04	04	06	06	06	08
12	0502010703	10.35" 1-5/8" SPACER		12	16	12	14	18	16
13	0502011047	1-5/8" INNER AXLE WASHER		04	04	06	06	06	08
14	0511014339	1-5/8" 2.8" NUT LOCK		08	08	12	12	12	16
15	0503011267	5/8 UNC X 1.1/2 C S G.5 ZN BOLT		08	08	12	12	12	16
16	0503010027	5/8 SPRING WASHER		08	08	12	12	12	16
17	0503010013	5/8 NUT		08	08	12	12	12	16
18	0511040034	3/4" X 3-1/4" BOLT ASSY		16	16	24	24	24	32
18A	0501017303	3/4" X 3-1/4" BOLT		16	16	24	24	24	32
18B	0501010949	3/4" SQUARE WASHER		16	16	24	24	24	32
18C	0501010322	FLAT WASHER		16	16	24	24	24	32
18D	0503010014	3/4" HEX NUT		32	32	48	48	48	64



Item	Code	Description	See page	QT
01	0502020481	HOUSING DM		01
02	0503010005	32212 ROLLER BEARING		02
03	0503030027	DUO-CONE SEAL		02
04	0502010900	BEARING AXLE		01
05	0502010735	SEAL RETAINER		02
06	0503030030	5.6" X 4.4" X 0.01" GASKET		02
07	0503030685	5.5" X 4.4" X 0.003" GASKET		02
08	0502020161	WEAR PLATE BEARING		01
09	0503010237	3/8" X 1" BOLT		06
10	0503011443	3/8" SPRING WASHER		06
11	0502040239	OUTER FLANGE		01
12	0502040240	INNER FLANGE		01
13	0503010856	OIL PLUG		01

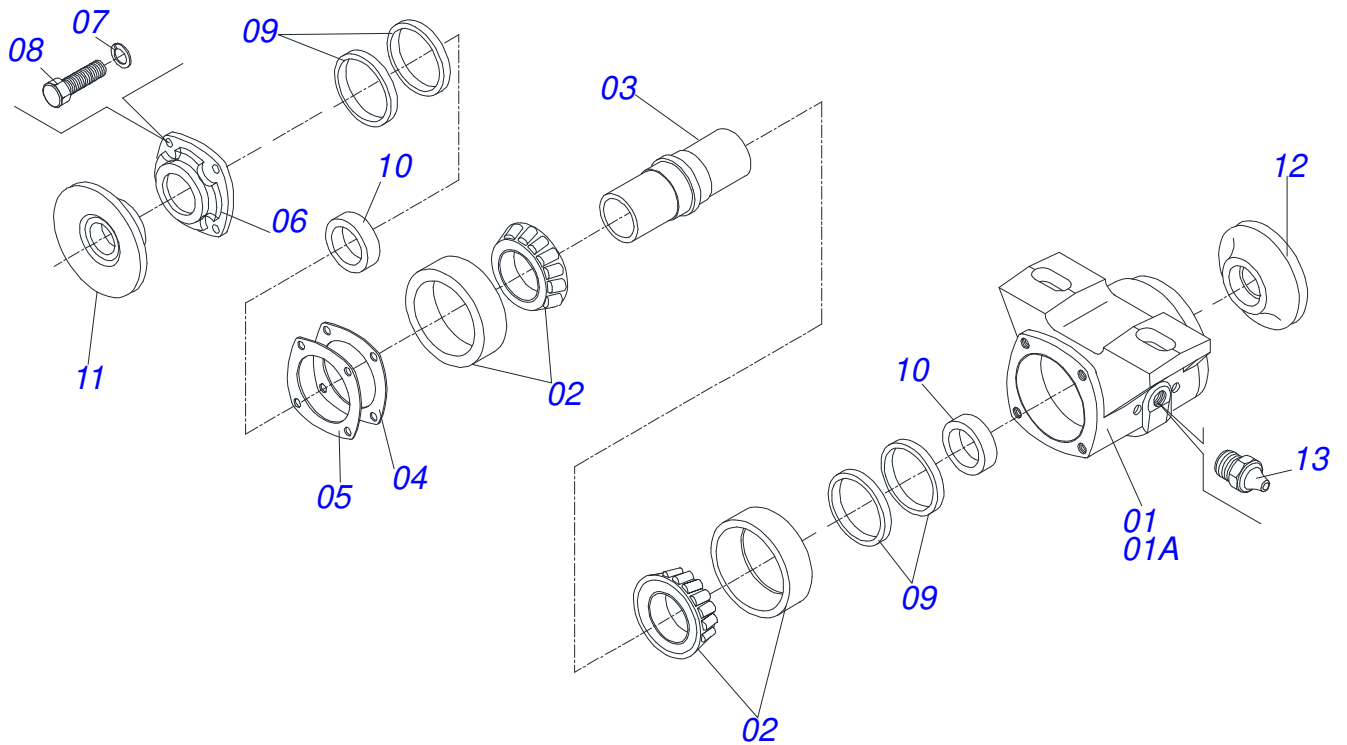


Item	Code	Description	See page	QT
01	0502020482	HOUSING DM		01
02	0503010005	32212 ROLLER BEARING		02
03	0503030027	DUO-CONE SEAL		02
04	0502010900	BEARING AXLE		01
05	0502010735	SEAL RETAINER		02
06	0503030030	5.6" X 4.4" X 0.01" GASKET		02
07	0503030685	5.5" X 4.4" X 0.003" GASKET		02
08	0502020161	WEAR PLATE BEARING		01
09	0503010237	3/8" X 1" BOLT		06
10	0503010025	3/8 SPRING WASHER		06
11	0502040239	OUTER FLANGE		01
12	0502040240	INNER FLANGE		01
13	0503010856	OIL PLUG		01

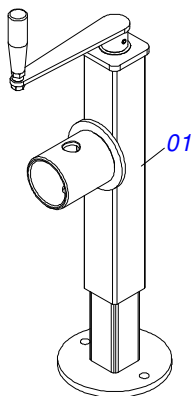


Item	Code	Description	See page	QT
01	0502020633	HOUSING BEARING		01
02	0503010005	32212 ROLLER BEARING		02
03	0503030027	DUO-CONE SEAL		02
04	0502010900	BEARING AXLE		01
05	0502010735	SEAL RETAINER		02
06	0503030030	5.6" X 4.4" X 0.01" GASKET		02
07	0502020161	WEAR PLATE BEARING		01
08	0503011443	3/8" SPRING WASHER		06
09	0503010237	3/8" X 1" BOLT		06
10	0502040239	OUTER FLANGE		01
11	0502040240	INNER FLANGE		01
12	0503010856	OIL PLUG		02
13	0521012933	BEARING WEAR PLATE		01
14	0503010019	1/2" SPRING WASHER		02
15	0503011401	1/2" X 3/4" BOLT		02
16	0503030685	5.5" X 4.4" X 0.003" GASKET		02





Item	Code	Description	See page
01	0502020479	BEARING HOUSING, FG	01
02	0503010005	32212 ROLLER BEARING	02
03	0502040034	BEARING AXLE	01
04	0503030030	5.6" X 4.4" X 0.01" GASKET	01
05	0503030685	5.5" X 4.4" X 0.003" GASKET	01
06	0502020523	BEARING CAP	01
07	0503011443	3/8" SPRING WASHER	06
08	0503010237	3/8" X 1" BOLT	06
09	0503010087	02017-GB GREASE SEAL	02
10	0502040591	SPACING BUSHING	02
11	0502040239	OUTER FLANGE	01
12	0502040240	INNER FLANGE	01
13	0503010002	1800 GREASE FITTING	02



Item	Code	Description	See page	QT
01	0503062157	DRAWBAR JACK		01





**MARCHESAN**

**Technical Publications | Elaboration and Revision**

ALESSANDRA PATRICIA KAWAHARA CARRILI

[www.marchesan.com.br](http://www.marchesan.com.br)

