

PARTS CATALOG

OFFSET DISK HARROW

GASP/GASPM

Code: 0501091162



Series: S-0182

Rev.: 00

Date Rev.: MAIO/2003

**ORIGINAL PARTS
TATU**



PRODUCTS

Code	Description
0102070037	GASP 10 X 32 X 9,00 DM S-0182
0102070002	GASP 10 X 32 X 12,00 CM S-0182
0102070038	GASP 10 X 32 X 12,00 DM S-0182
0102070039	GASP 10 X 34 X 9,00 DM S-0182
0102070040	GASP 10 X 34 X 12,00 DM S-0182
0102070042	GASP 10 X 36 X 12,00 DM S-0182
0102070007	GASP 12 X 32 X 9,00 CM S-0182
0102070043	GASP 12 X 32 X 9,00 DM S-0182
0102070008	GASP 12 X 32 X 12,00 CM S-0182
0102070044	GASP 12 X 32 X 12,00 DM S-0182
0102070045	GASP 12 X 34 X 9,00 DM S-0182
0102070010	GASP 12 X 34 X 12,00 CM S-0183
0102070046	GASP 12 X 34 X 12,00 DM S-0182
0102070011	GASP 12 X 36 X 9,00 CM S-0182
0102070047	GASP 12 X 36 X 9,00 DM S-0182
0102070048	GASP 12 X 36 X 12,00 DM S-0182
0102070050	GASP 14 X 32 X 12,00 DM S-0182
0102070016	GASP 14 X 34 X 12,00 CM S-0182
0102070052	GASP 14 X 34 X 12,00 DM S-0182
0102070054	GASP 14 X 36 X 12,00 DM S-0182
0102070020	GASP 16 X 32 X 12,00 CM S-0182
0102070056	GASP 16 X 32 X 12,00 DM S-0182
0102070057	GASP 16 X 34 X 9,00 DM S-0182
0102070058	GASP 16 X 34 X 12,00 DM S-0182
0102070060	GASP 16 X 36 X 12,00 DM S-0182
0102070063	GASP 18 X 34 X 9,00 DM S-0182
0102070064	GASP 18 X 34 X 12,00 DM S-0182
0102070065	GASP 18 X 36 X 9,00 DM S-0182
0102070030	GASP 18 X 36 X 12,00 CM S-0182
0102070066	GASP 18 X 36 X 12,00 DM S-0182
0102070069	GASP 20 X 34 X 9,00 DM S-0182

ATTENTION: **IMPORTANT**

MARCHESAN S/A RESERVES THE RIGHT AT ANY TIME TO MAKE IMPROVEMENTS IN THE DESIGN, MATERIAL OR SPECIFICATIONS OF MACHINERY, EQUIPMENT OR PARTS WITHOUT THEREBY BECOMING LIABLE TO MAKE SIMILAR CHANGES IN MACHINERY, EQUIPMENT OR PARTS PREVIOUSLY SOLD.

PRODUCTS

0102070072	GASP 20 X 36 X 12,00 DM	S-0182
0102080001	GASPM 10 X 32 X 9,00 CM	S-0182
0102080037	GASPM 10 X 32 X 9,00 DM	S-0182
0102080038	GASPM 10 X 32 X 12,00 DM	S-0182
0102080039	GASPM 10 X 34 X 9,00 DM	S-0182
0102080040	GASPM 10 X 34 X 12,00 DM	S-0182
0102080041	GASPM 10 X 36 X 9,00 DM	S-0182
0102080006	GASPM 10 X 36 X 12,00 CM	S-0182
0102080042	GASPM 10 X 36 X 12,00 DM	S-0182
0102080007	GASPM 12 X 32 X 9,00 CM	S-0182
0102080043	GASPM 12 X 32 X 9,00 DM	S-0182
0102080008	GASPM 12 X 32 X 12,00 CM	S-0182
0102080044	GASPM 12 X 32 X 12,00 DM	S-0182
0102080045	GASPM 12 X 34 X 9,00 DM	S-0182
0102080046	GASPM 12 X 34 X 12,00 DM	S-0182
0102080011	GASPM 12 X 36 X 9,00 CM	S-0182
0102080047	GASPM 12 X 36 X 9,00 DM	S-0182
0102080012	GASPM 12 X 36 X 12,00 CM	S-0182
0102080048	GASPM 12 X 36 X 12,00 DM	S-0182
0102080050	GASPM 14 X 32 X 12,00 DM	S-0182
0102080051	GASPM 14 X 34 X 9,00 DM	S-0182
0102080052	GASPM 14 X 34 X 12,00 DM	S-0182
0102080017	GASPM 14 X 36 X 9,00 CM	S-0182
0102080053	GASPM 14 X 36 X 9,00 DM	S-0182
0102080018	GASPM 14 X 36 X 12,00 CM	S-0182
0102080054	GASPM 14 X 36 X 12,00 DM	S-0182
0102080057	GASPM 16 X 34 X 9,00 DM	S-0182
0102080058	GASPM 16 X 34 X 12,00 DM	S-0182
0102080059	GASPM 16 X 36 X 9,00 DM	S-0182
0102080060	GASPM 16 X 36 X 12,00 DM	S-0182
0102080075	GASPM 16 X 36 X 12,00 DM ENGATE 3"	
0102080064	GASPM 18 X 34 X 12,00 DM	S-0182

ATTENTION: **IMPORTANT**

MARCHESAN S/A RESERVES THE RIGHT AT ANY TIME TO MAKE IMPROVEMENTS IN THE DESIGN, MATERIAL OR SPECIFICATIONS OF MACHINERY, EQUIPMENT OR PARTS WITHOUT THEREBY BECOMING LIABLE TO MAKE SIMILAR CHANGES IN MACHINERY, EQUIPMENT OR PARTS PREVIOUSLY SOLD.

PRODUCTS

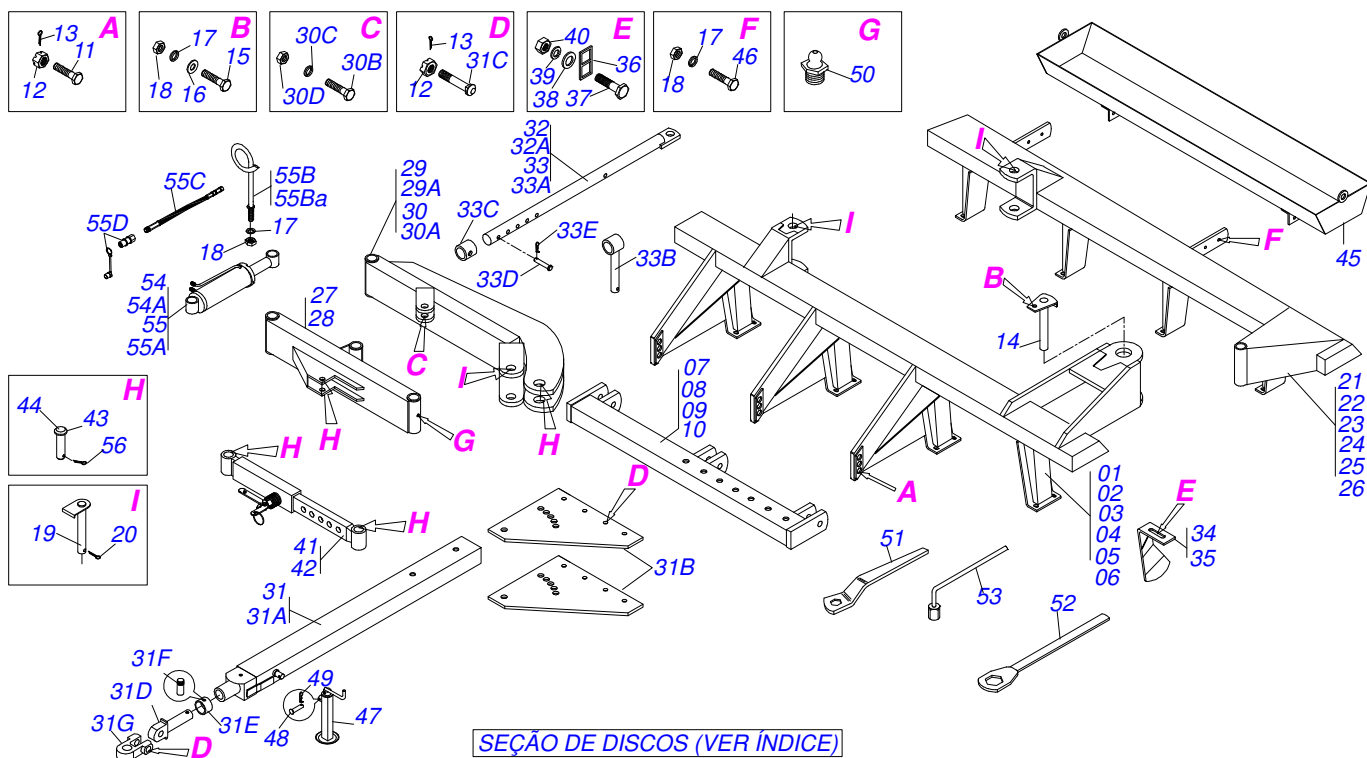
0102080065	GASPM 18 X 36 X 9,00 DM	S-0182
0102080066	GASPM 18 X 36 X 12,00 DM	S-0182
0102080068	GASPM 20 X 32 X 12,00 DM	S-0182
0102080069	GASPM 20 X 34 X 9,00 DM	S-0182
0102080070	GASPM 20 X 34 X 12,00 DM	S-0182
0102080071	GASPM 20 X 36 X 9,00 DM	S-0182
0102080036	GASPM 20 X 36 X 12,00 CM	S-0182
0102080072	GASPM 20 X 36 X 12,00 DM	S-0182

ATTENTION: **IMPORTANT**

MARCHESAN S/A RESERVES THE RIGHT AT ANY TIME TO MAKE IMPROVEMENTS IN THE DESIGN, MATERIAL OR SPECIFICATIONS OF MACHINERY, EQUIPMENT OR PARTS WITHOUT THEREBY BECOMING LIABLE TO MAKE SIMILAR CHANGES IN MACHINERY, EQUIPMENT OR PARTS PREVIOUSLY SOLD.

INDEX

0909090218	HINGE OFFSET DISK HARROWS	1
0501040083	2.0" X 4" X 26" X 15" HYDRAULIC CYLINDER	2
0501040059	2.0" X 4" X 21" X 10" HYDRAULIC CYLINDER	3
0909090219	GANG DISC	4
0909090229	AGRICULTURAL BEARING	5
0909090234	GREASE BEARING ASSY	6
0501042554	DRAWBAR JACK	7



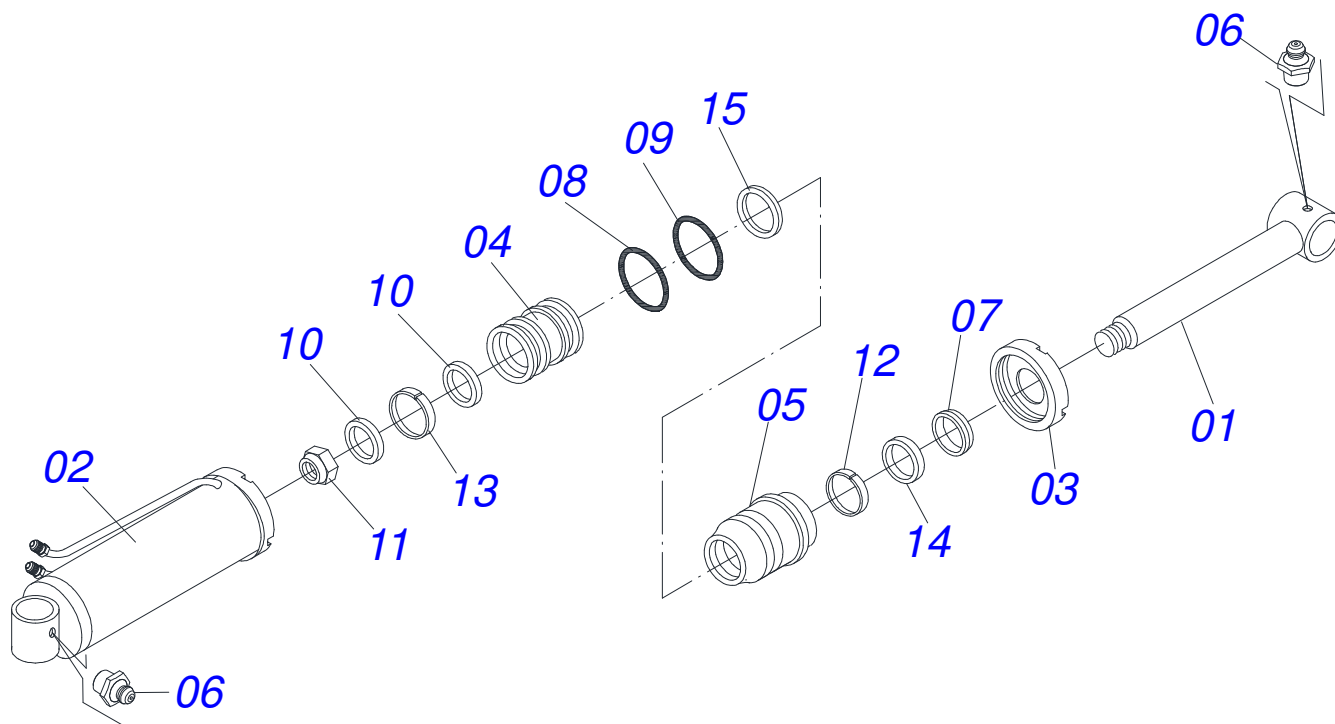
Item	Code	Description	10	12	14	16	18	20
01	0501060513	FRONT FRAME	01					
02	0501060514	FRONT FRAME		01				
03	0501060525	FRONT FRAME			01			
04	0501060533	FRONT FRAME				01		
05	0501060536	FRONT FRAME					01	
06	0501060537	FRONT FRAME						01
07	0501060522	OFFSET BAR	01	01				
08	0501060523	OFFSET BAR		01				
09	0501060535	OFFSET BAR			01			
10	0501060545	OFFSET BAR				01	01	
11	0501010295	1-1/2" X 6.9" BOLT	02	02	02	02	02	02
12	0501011301	1.1/2 UNC 6FPP 2.5/16 NUT	09	09	09	09	09	09
13	0503010010	1/4" X 2.1/2" COTTERPIN	09	09	09	09	09	09
14	0501064064	2.4" X 15.5" COUPLING SHAFT	01	01	01	01	01	01
15	0501010125	3/4" X 2-1/2" BOLT	01	01	01	01	01	01
16	0501010322	FLAT WASHER	01	01	01	01	01	01
17	0503010023	SPRING WASHER	10	10	10	10	10	10
18	0503010014	3/4" NUT	10	10	10	10	10	10
19	0501062199	2" X 14.6" COUPLING SHAFT	03	03	03	03	03	03
20	0503010073	3/8 X 3-1/2 COTTERPIN	03	03	03	03	03	03
21	0501060515	REAR FRAME	01					
22	0501060516	REAR FRAME		01				
23	0501060526	REAR FRAME			01			
24	0501060534	REAR FRAME				01		
25	0501060538	REAR FRAME					01	
26	0501060539	REAR FRAME						01
27	0501060518	FRONT STABILIZER BAR	01	01				
28	0501060527	FRONT STABILIZER BAR		01	01	01	01	
29	0501041239	REAR STABILIZER BAR ASSY	01	01				
29A	0501060519	REAR STABILIZER BAR	01	01				
30	0501041248	REAR STABILIZER BAR ASSY		01	01	01	01	
30A	0501060528	REAR STABILIZER BAR		01	01	01	01	
30B	0503011432	1" X 4" BOLT	01	01	01	01	01	01



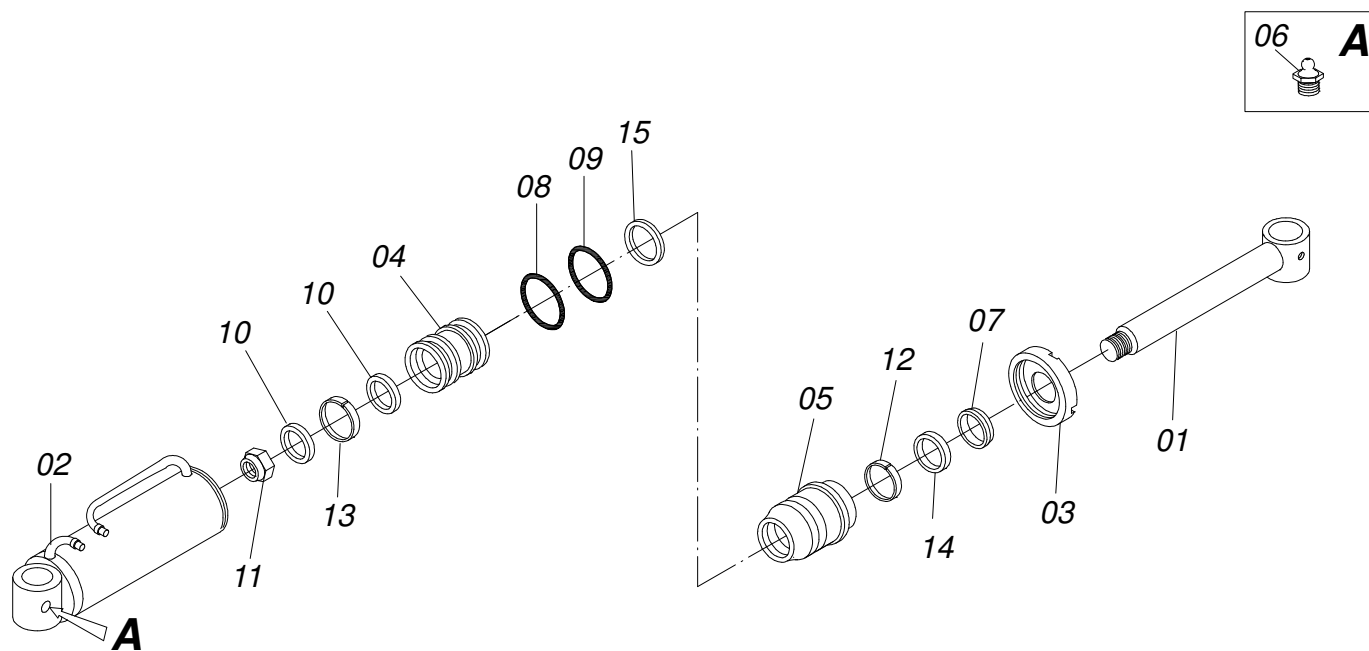
HINGE OFFSET DISK HARROWS

0909090218

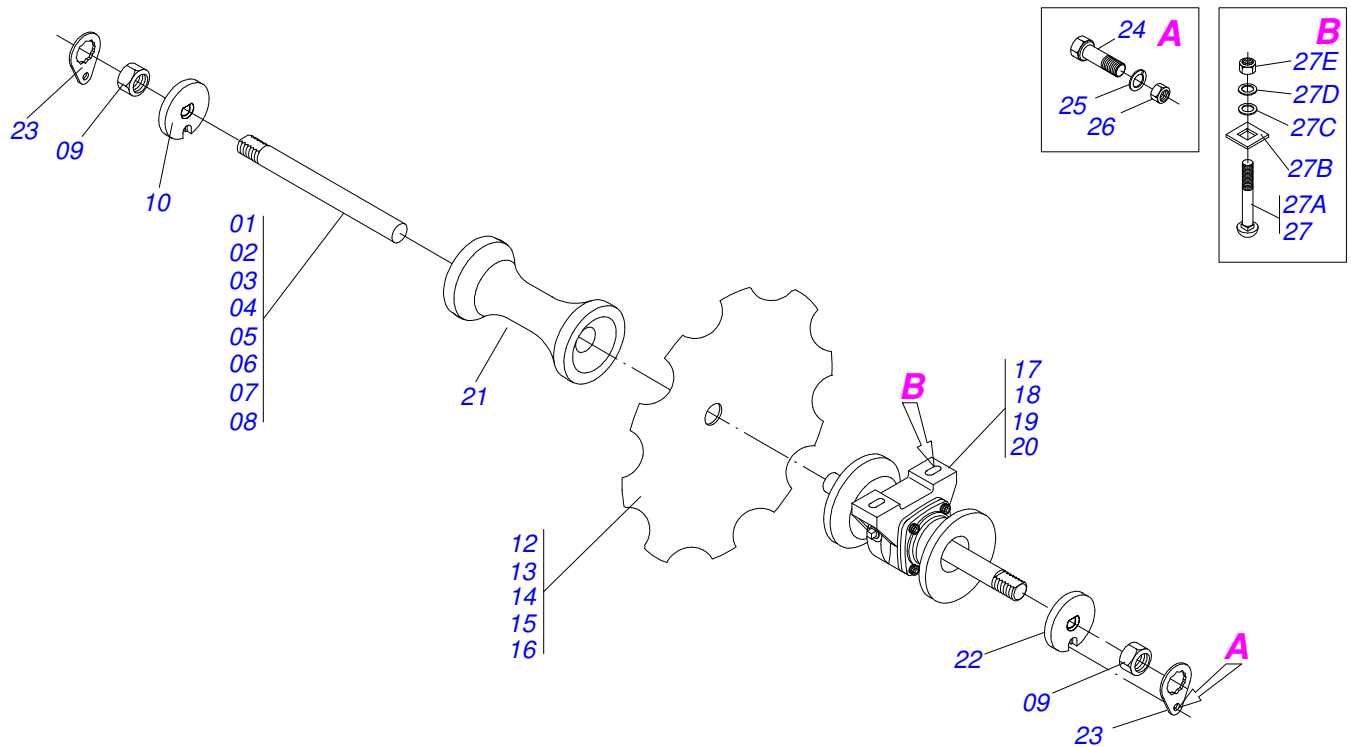
Item	Code	Description	10	12	14	16	18	20
30C	0503010012	1" SPRING WASHER	01	01	01	01	01	01
30D	0501010059	1.5/8 NUT	01	01	01	01	01	01
31	0501044125	DRAWBAR ASSY	01	01	01	01	01	01
31A	0501067242	DRAWBAR ASSY	01	01	01	01	01	01
31B	0511016137	UPPER /LOWER PLATE	02	02	02	02	02	02
31C	0501017290	1-1/2" X 7.7" BOLT	06	06	06	06	06	06
31D	0502040223	DRAWBOLT	01	01	01	01	01	01
31E	0502040327	ANEL TRAVA ENGATE	01	01	01	01	01	01
31F	0501011136	PINO 26 X 100 (1.1/2 X 107) GCRO	01	01	01	01	01	01
31G	0502040222	CLEVIS	01	01	01	01	01	01
32	0501041241	ADJUSTMENT BAR ASSY	01	01				
32A	0501060520	ADJUSTMENT BAR	01	01				
33	0501041251	ADJUSTMENT BAR ASSY	01	01	01	01		
33A	0501060529	ADJUSTMENT BAR	01	01	01	01		
33B	0501060521	ADJUSTMENT BAR LOCK	01	01	01	01	01	01
33C	0501010337	LOCK BUSHING	01	01	01	01	01	01
33D	0521010579	COUPLING SHAFT	01	01	01	01	01	01
33E	0503031035	HAIR PIN	01	01	01	01	01	01
34	0501060423	FRONT SCRAPER	05	06	07	08	09	10
35	0501060424	REAR SCRAPER	05	06	07	08	09	10
36	0501010299	SCRAPER LOCK	10	12	14	16	18	20
37	0503010233	5/8" X 2-1/2" BOLT	20	24	28	32	36	40
38	0501010301	FLAT WASHER	20	24	28	32	36	40
39	0503010027	SPRING WASHER	20	24	28	32	36	40
40	0503010013	5/8" NUT	20	24	28	32	36	40
41	0501040095	22" X 10" MECHANICAL CYLINDER	02	02				
42	0501040094	27" X 15" MECHANICAL CYLINDER	02	02	02	02		
43	0521012534	0.9" X 6.1" AXLE	02	02				
44	0521010615	1.5" X 6.9" COUPLING SHAFT	02	02	02	02		
45	0501063483	BOX FOR COUNTERBALANCE	01	01	01	01		
46	0501010500	3/4"X3"BOLT	04	04	04	04		
47	0501042554	DRAWBAR JACK	01	01	01	01	01	01
48	0521010549	COUPLING SHAFT	01	01	01	01	01	01
49	0503030012	HAIR PIN	01	01	01	01	01	01
50	0503010002	1800 GREASE FITTING	03	03	03	03	03	03
51	0501011432	1-1/2" AND 1-5/8 GANG BOLT WRENCH	02	02	02	02	02	02
52	0501061044	2-1/8" AND 2-1/2" CABLE FLAT WRENCH	01	01	01	01	01	01
53	0501062300	1-1/4" WRENCH CABLE CYLINDRICAL	01	01	01	01	01	01
54	0501044200	MODIFICATION KIT (GASP TO GASPM)	01	01				
54A	0501040059	2.0" X 4" X 21"X 10" HYDRAULIC CYLINDER	01	01				
55	0501044203	MODIFICATION KIT (GASP TO GASPM)	01	01	01	01		
55A	0501040638	2.5" X 5" HYDRAULIC CYLINDER	01	01	01	01		
55B	0501040257	3/4 X 1200 HOSE HOLDER A	01	01	01	01	01	01
55Ba	0501060337	3/4" X 47.2" HOSE HOLDER ASSY	01	01	01	01	01	01
55C	0501080001	1/2" X 177" TR-TM HOSE ASSY	02	02	02	02	02	02
55D	0501053834	MALE QUICK COUPLING AGRICULTURAL WITH	02	02	02	02	02	02
56	0503010571	1/4" X 1.1/2 COTTERPIN	04	04	04	04	04	04



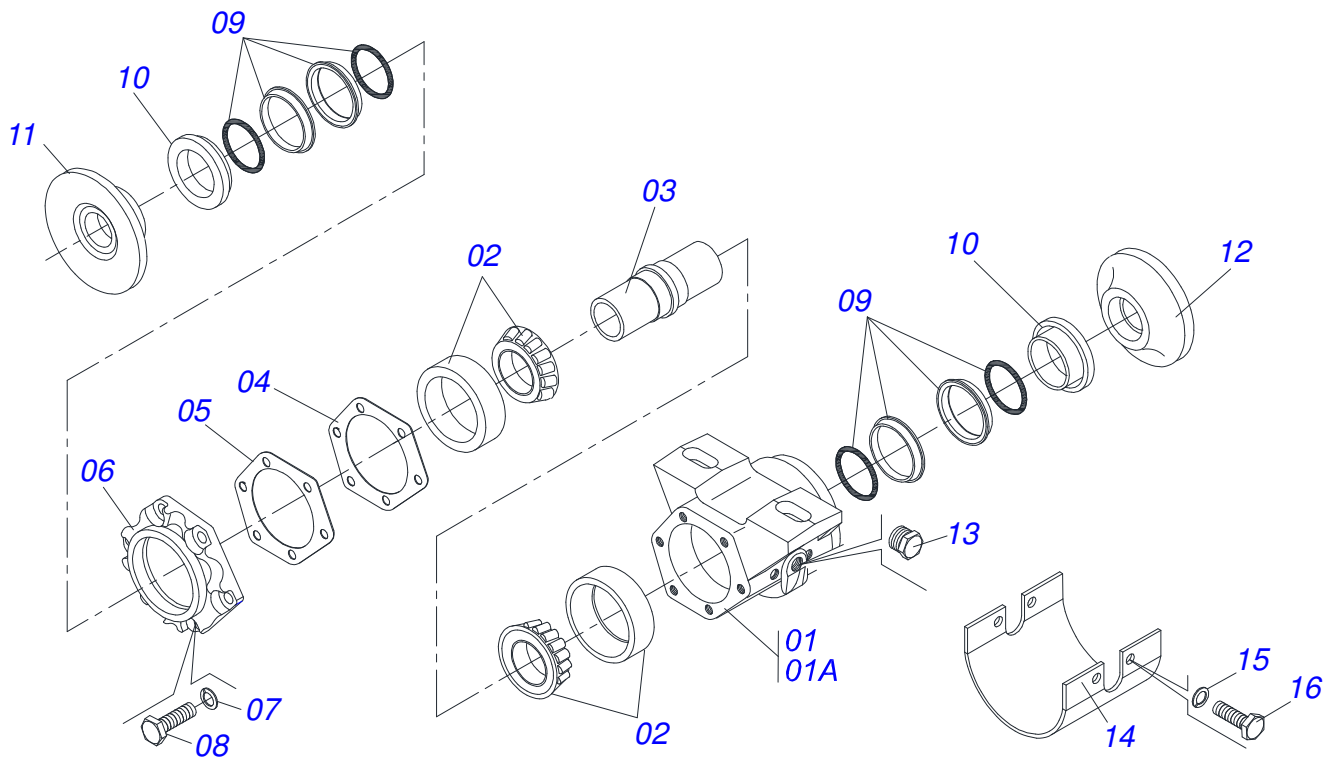
Item	Code	Description	QT
01	0501060461	2" TURNBUCLE	01
02	0501060440	4" X 16" CYLINDER CASE	01
03	0502010017	4" HEAD	01
04	0502010992	2.0" X 4.0" PISTON	01
05	0502010778	2" X 4.2" RING SUPPORT	01
06	0503010002	1800 GREASE FITTING	01
07	0503010039	D-2000 SCRAPER RING	01
08	0503010345	2-218 N 3006-9B O-RING	01
09	0503010338	2-342 N 3006-9B O-RING	01
10	0503010043	PACKING 3750-3250	02
11	0503010817	1-1/4" SELF-ADJUSTING NUT	01
12	0503010952	W2-2250-500 PK RING G.E	01
13	0503010994	W2-4000-500 PK RING G.E	01
14	0503010991	PACKING 1870-2000-375-B	01
15	0503011061	8-342 BACK-UP RING	01
16	0501031799	HYDRAULIC CYLINDER REPAIR KIT	01



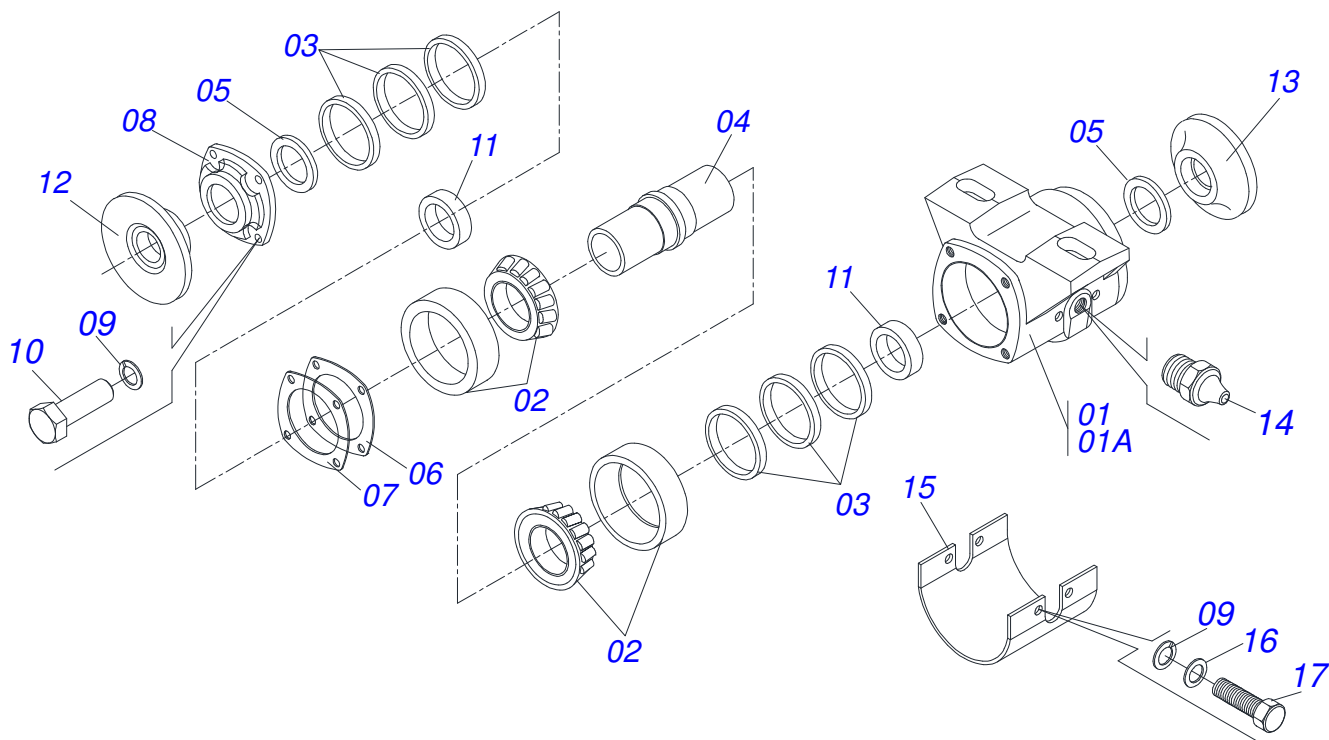
Item	Code	Description	QT
00	0501040059	2.0" X 4" X 21" X 10" HYDRAULIC CYLINDER	01
01	0501060194	2" X 16.8" TURNBUCLE	01
02	0501060462	4" X 10.3" CYLINDER CASE	01
03	0502010017	4" HEAD	01
04	0502010992	2.0" X 4.0" PISTON	01
05	0502010778	2" X 4.2" RING SUPPORT	01
06	0503010002	1800 GREASE FITTING	02
07	0503010039	D-2000 SCRAPER RING	01
08	0503010345	2-218 N 3006-9B O'RING	01
09	0503010338	2-342 N 3006-9B O'RING	01
10	0503011061	8-342 BACK-UP RING	02
11	0503010817	1-1/4" SELF-ADJUSTING NUT	01
12	0503010952	W2-2250-500 PK RING G.E	01
13	0503010994	W2-4000-500 PK RING G.E	01
14	0503010991	PACKING 1870-2000-375-B	01
15	0503011061	8-342 BACK-UP RING	01
16	0501031799	HYDRAULIC CYLINDER REPAIR KIT	01



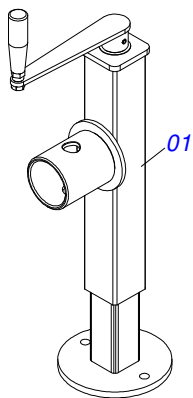
Item	Code	Description	10	12	14	16	18	20
01	0501040693	2-1/2" X 63" AXLE WITH NUTS					04	02
02	0501040690	2-1/2" X 80" AXLE WITH NUTS		02			02	04
03	0501040691	2-1/2" X 97" AXLE WITH NUTS			02			
04	0501040692	2-1/2" X 115" AXLE WITH NUTS				02		
05	0501010358	2-1/2" X 63" AXLE					04	02
06	0501010357	2-1/2" X 80" AXLE		02			02	04
07	0501010356	2-1/2" X 97" AXLE			02			
08	0501010355	2-1/2" X 115" AXLE				02		
09	0502040064	2.1/2"SNC X 70 99 NUT	04	04	04	08	08	08
10	0502010593	2-1/2" EXTERNAL AXLE WASHER	02	02	02	04	04	04
11	0602044002	32" X 0.3" NOTCHED DISC BLADE	10	12	14	16	18	20
12	0602044004	32" X 0.5" NOTCHED DISC BLADE	10	12	14	16	18	20
13	0602046001	34" X 0.3" NOTCHED DISC BLADE	10	12	14	16	18	20
14	0602046002	34" X 0.5" NOTCHED DISC BLADE	10	12	14	16	18	20
15	0602048001	36"X 0.3"9 NOTCHED DISC BLADE	10	12	14	16	18	20
16	0602048002	36" X 0.5" NOTCHED DISC BLADE	10	12	14	16	18	20
17	0501048662	CM GX 17" 2-1/2" PR BEARING ASSY	02	02	03	04	04	04
18	0501043774	CM GX 17" 2-1/2" P BEARING ASSY	02	02	03	04	04	04
19	0501046900	430MM X 2-1/2" RD. OIL BATH BEARING	02	02	03	04	04	04
20	0501040101	17" X 2-1/2" OIL BATH BEARING	02	02	03	04	04	04
21	0501060566	16.9"-C SPACER	04	06	06	04	06	08
22	0502010592	2-1/2" INNER AXLE WASHER	02	02	02	04	04	04
23	0501010348	2-1/8"TO 2-1/2" NUT LOCK	04	04	04	08	08	08
24	0501010153	5/8" X 1-1/2" NUT	08	08	12	16	16	16
25	0503010027	SPRING WASHER	08	08	12	16	16	16
26	0501010301	FLAT WASHER	08	08	12	16	16	16
27	0501041301	1-1/4"X 5-3/4" ASSY BOLT	08	08	12	16	16	16
27A	0501010954	1-1/4" X 5-3/4" BOLT	08	08	12	16	16	16
27B	0501010953	1-1/4" SQUARE WASHER	08	08	12	16	16	16
27C	0501010307	FLAT WASHER	08	08	12	16	16	16
27D	0503010070	SPRING WASHER	08	08	12	16	16	16
27E	0501010087	1.1/4" NUT	08	08	12	16	16	16



Item	Code	Description	QT
00	0501046900	430MM X 2-1/2" RD. OIL BATH BEARING	00
01	0502012415	HOUSING BEARING	01
02	0503010118	32218 ROLLER BEARING	02
03	0502040039	AXLE	01
04	0503030537	8.3" X 6.3" X 0.01" JOINT	02
05	0503030687	8.3" X 6.3" X 0.004" JOINT	01
06	0502010644	HOUSING CAP DM	01
07	0503010019	1/2" SPRING WASHER	10
08	0503010920	1/2" X 1.1/2" BOLT	06
09	0503030029	SEAL # LP JB-259	02
10	0502040119	SEAL RETAINER	02
11	0502040164	OUTER FLANGE	01
12	0502040165	INNER FLANGE	01
13	0503010856	OIL PLUG	01
14	0501018437	PROTECTION COVER	01
15	0511017302	FLAT WASHER	04
16	0503010834	1/2 X 1 BOLT	04



Item	Code	Description	QT
00	0501048662	CM GX 17" 2-1/2" PR BEARING ASSY	01
00A	0501043774	CM GX 17" 2-1/2" P BEARING ASSY	01
01	0502010745	HOUSING CM	01
01A	0502010744	HOUSING CM	01
02	0503010118	32218 ROLLER BEARING	02
03	0503010095	01103-B SEAL	02
04	0502040039	AXLE	01
05	0501010362	GREASE SEAL	02
06	0503030537	8.3" X 6.3" X 0.01" JOINT	01
07	0503030687	8.3" X 6.3" X 0.004" JOINT	01
08	0502010660	HOUSING CAP CM	01
09	0503010019	1/2" SPRING WASHER	10
10	0501010063	1/2" X 1-1/2" BOLT	06
11	0501011139	SPACER	02
12	0502040167	OUTER FLANGE	01
13	0502040168	INNER FLANGE	01
14	0503010002	1800 GREASE FITTING	01
15	0501018437	PROTECTION COVER	01
16	0511017302	FLAT WASHER	04
17	0503010834	1/2 X 1 BOLT	04



Item	Code	Description	QT
01	0503062157	HEADER JACK	01



MARCHESAN IMPLEMENTOS E MÁQUINAS AGRÍCOLAS TATU S.A.

AV. Marchesan, 1979 - Post office box, 131 - CEP 15994-900 - Matão - SP - Brazil

Phone +55 16.3382-8282

(FAX Parts) + 55 16.3382. 8297 - (Export) + 55 16.3382.1003

e.mail: tatu@marchesan.com.br www.marchesan.com.br

Technical Publications: Elaboration

JOSÉ DOMINGOS GASPARI

Technical Publications: Revision

JOSÉ DOMINGOS GASPARI

Contact Catálogo:

E-mail = jgaspari@marchesan.com.br

**ORIGINAL PARTS
TATU**

