

OFFSET DISK HARROW

GAICRL 16/18/20/22/24D

Code: 0501091161
Series: S-0903
Revision: 00
Date Revision: OUTUBRO/2017

PARTS CATALOGUE



MARCHESAN



PRODUCTS

Code	Description
0102260532	GAICRL 16 X 24 X 6,00 CM S-0903
0102260312	GAICRL 16 X 24 X 6,00 DM S-0903
0102260504	GAICRL 16 X 26 X 6,00 CM S-0903
0102260469	GAICRL 16 X 26 X 6,00 DM 11L15 S903
0102260684	GAICRL 16 X 26 X 6,00 DM S-0903
0102260356	GAICRL 18 X 24 X 6 DM DR CON S-0903
0102260313	GAICRL 18 X 24 X 6,00 DM S-0903
0102260621	GAICRL 18 X 26 X 6,00 CM S-0903
0102260626	GAICRL 18 X 26 X 6,00 DM S-0903
0102260626C	GAICRL 18 X 26 X 6,00 DM EXP S-0903
0102260357	GAICRL 20 X 24 X 6 DM DR CON S-0903
0102260314	GAICRL 20 X 24 X 6,00 DM S-0903
0102260459	GAICRL 20 X 26 X 6,00 DM S-0903
0102260315	GAICRL 22 X 24 X 6,00 DM S-0903
0102260389	GAICRL 22 X 26 X 6,00 DM S-0903
0102260316C	GAICRL 24 X 24 X 6,00 DM EXP S-0903
0102260316	GAICRL 24 X 24 X 6,00 DM S-0903
0102260376	GAICRL 24 X 24 X 6,00 DM SA S-0903
0102260371C	GAICRL 24 X 26 X 6,00 DM EXP S-0903
0102260371	GAICRL 24 X 26 X 6,00 DM S-0903

ATTENTION: IMPORTANT

Marchesan S.A. reserves the right to improve and/or modify the technical features of its products, without obligation to do the same with those products already sold and without prior knowledge of the dealer or the consumer. The photos are only illustrative.

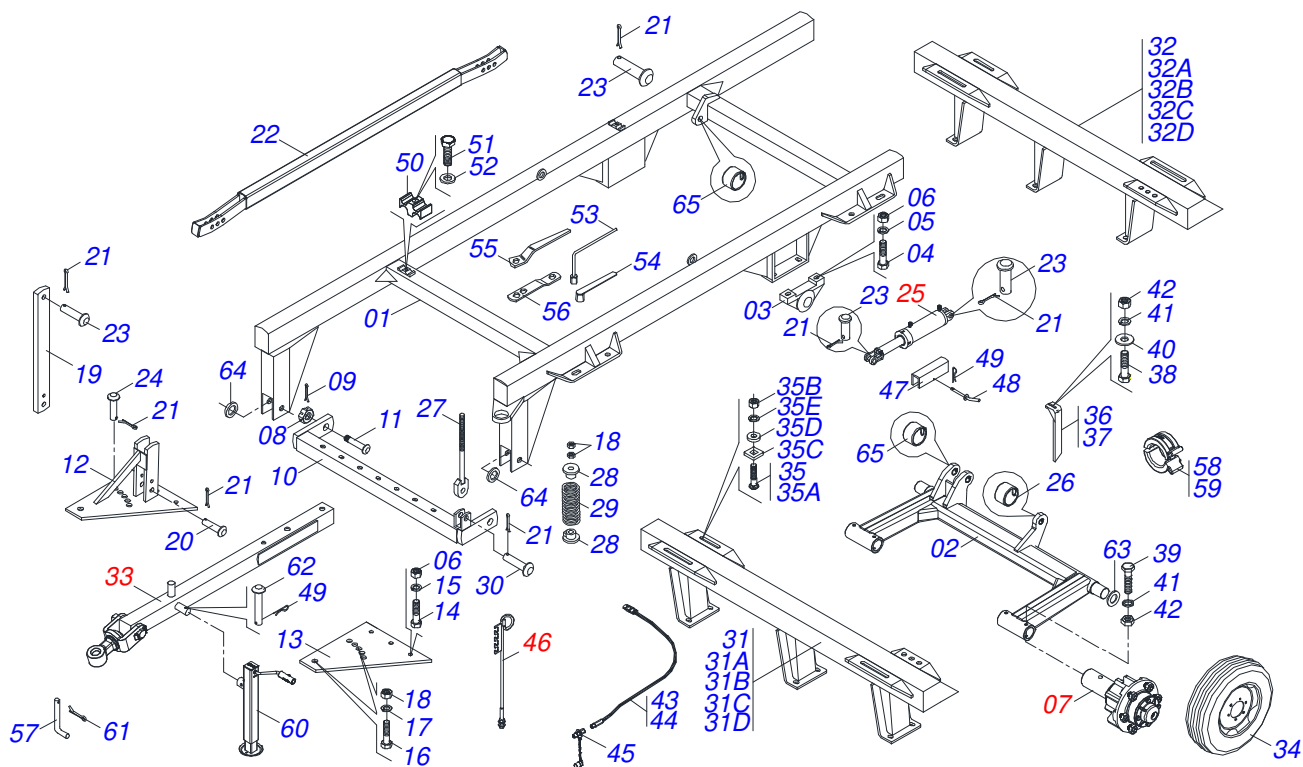


MARCHESAN

INDEX

0909090402	ASSY FRAME	1
0501051142	CARRYING WHEEL HUB	2
0511059180	HYDRAULIC CYLINDER 50,80 X 101,60 X 515 X 203	3
0511042245	DRAWBAR ASSY	4
0501040257	3/4 X 1200 HOSE HOLDER A	5
0503062157	HEADER JACK	6
0909090411	GANG DISC	7
0501046916	262 X 1-5/8" GRESABLE BRG ASSY,FG	8
0511040032	262 X 1.5/8" OIL BATH BRG ASSY,OPT	9
0501046925	262 X 1-5/8" OIL BATH BRG ASSY,FG	10

ASSY FRAME



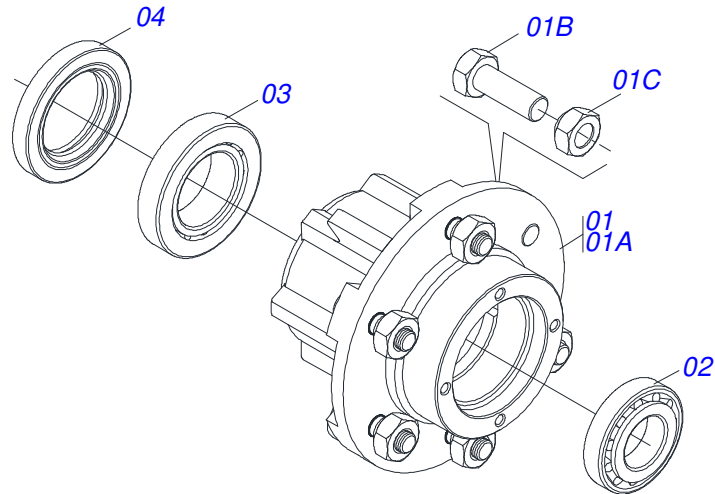
Item	Code	Description	See page	16	18	20	22	24
01	0501065311	FRAME		01	01	01	01	01
02	0511065084	CARRYING-WHEELS SUPPORT		01	01	01	01	01
03	0501110856	ARTICULACION BEARING		02	02	02	02	02
04	0503010797	3/4" X 4" BOLT		04	04	04	04	04
05	0501010322	FLAT WASHER		04	04	04	04	04
06	0503010014	3/4" NUT		13	13	13	13	13
07	0501051142	CARRYING WHEEL HUB	2	02	02	02	02	02
08	0501011301	1.1/2 UNC 6FPP 2.5/16 NUT		02	02	02	02	02
09	0503010010	1/4" X 2.1/2" COTTERPIN		02	02	02	02	02
10	0501063260	OFFSET BAR		01	01	01	01	01
11	0521817538	COUPLING SHAFT		02	02	02	02	02
12	0501066099	UPPER PLATE WITH SUPPORT		01	01	01	01	01
13	0501010241	UPPER /LOWER PLATE		01	01	01	01	01
14	0503011198	C3/4" X 6" SCREW		03	03	03	03	03
15	0503011442	3/4" SPRING WASHER		04	04	04	04	04
16	0501010060	1" X 6-1/2" BOLT		02	02	02	02	02
17	0503010012	1" SPRING WASHER		11	11	11	11	11
18	0501010059	1.5/8 NUT		12	12	12	12	12
19	0511012972	TSTABILIZER BAR TOWER		01	01	01	01	01
20	0521810575	COUPLING SHAFT		01	01	01	01	01
21	0503010571	1/4" X 1.1/2 COTTERPIN		07	07	07	07	07
22	0511066932	CSTABILIZER BARCOTTERPIN		01	01	01	01	01
23	0521010575	C0.9" X 3.3" COUPLING SHAFT		04	04	04	04	04
24	0521010584	C0.9" X 5.7" COUPLING SHAFT		01	01	01	01	01
25	0511059180	HYDRAULIC CYLINDER 50,80 X 101,60 X 515 X 203	3	01	01	01	01	01
26	0511019921	1.3" X 0.1" X 1" SLEEVE		01	01	01	01	01
27	0501064698	SPRING ROD		01	01	01	01	01
28	0502020392	SPRING SUPPORT		02	02	02	02	02
29	0503030441	12.7" X 5.7" X 0.5"SPRING		01	01	01	01	01
30	0521010592	1.1" X 3.1" COUPLING SHAFT		01	01	01	01	01
31	0511065074	FRONT FRAME		01	00	00	00	00



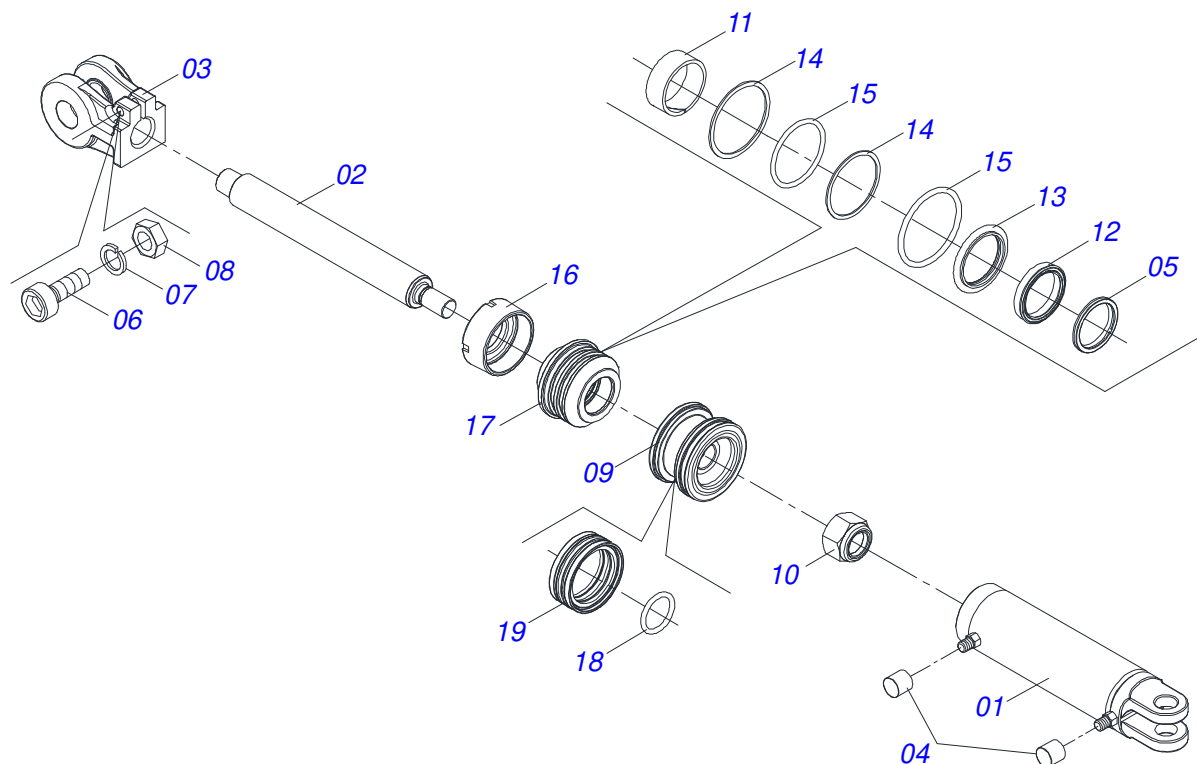
ASSY FRAME

0909090402

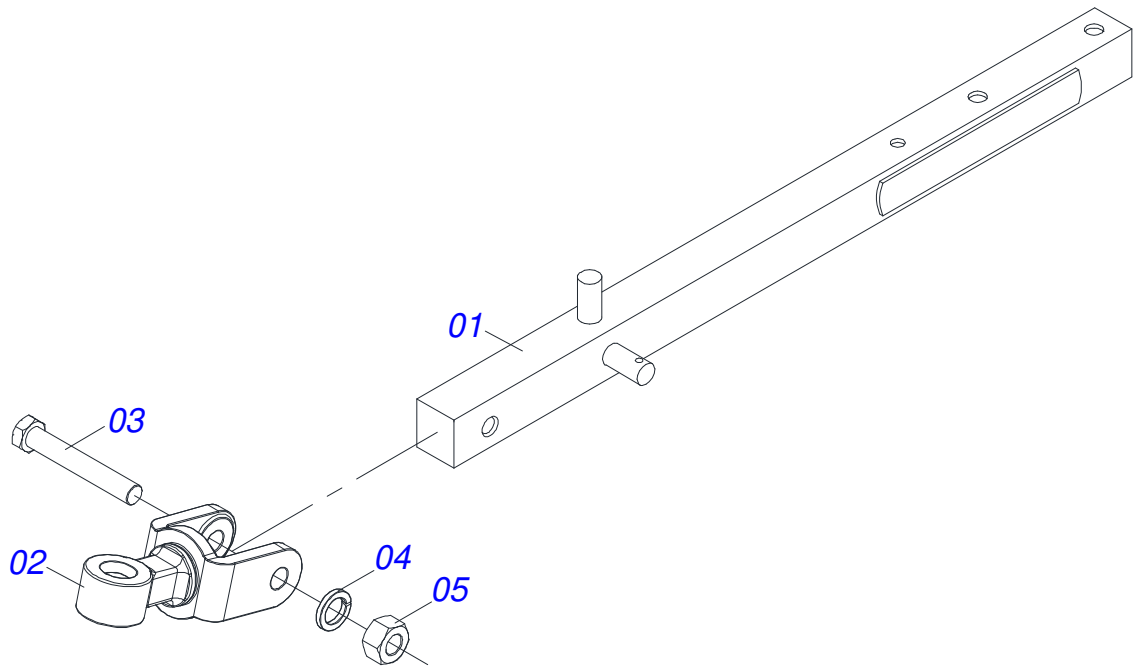
Item	Code	Description	See page	16	18	20	22	24
31A	0511065076	FRONT FRAME		00	01	00	00	00
31B	0511065078	FRONT FRAME		00	00	01	00	00
31C	0511065080	FRONT FRAME		00	00	00	01	00
31D	0511065082	FRONT FRAME		00	00	00	00	01
32	0511065075	REAR FRAME		01	00	00	00	00
32A	0511065077	REAR FRAME		00	01	00	00	00
32B	0511065079	REAR FRAME		00	00	01	00	00
32C	0511065081	REAR FRAME		00	00	00	01	00
32D	0511065083	REAR FRAME		00	00	00	00	01
33	0511042245	DRAWBAR ASSY	4	01	01	01	01	01
34	0503060091	L29.5"X0.63"-10L WHEEL AND		02	02	02	02	02
35	0501040877	C1" X 3-1/4" ASSY BOLT		08	08	08	08	08
35A	0501010171	BOLT 1 UNC X 3.1/2 C S G.5		08	08	08	08	08
35B	0501010059	1.5/8 NUT		08	08	08	08	08
35C	0502012861	1" SQUARE WASHER		08	08	08	08	08
35D	0501010065	1" SPRING WASHER		08	08	08	08	08
35E	0503010012	1" SPRING WASHER		08	08	08	08	08
36	0501064168	REAR SCRAPER		04	04	05	06	07
37	0501064167	REAR SCRAPER		04	04	05	06	07
38	0503011082	C1/2" X 1.3/4" SCREW		16	16	20	24	28
39	0503010547	1/2" X 4" BOLT		02	02	02	02	02
40	0511017302	FLAT WASHER		16	20	20	24	28
41	0503010019	1/2" SPRING WASHER		18	18	22	26	30
42	0503010060	1/2" NUT		18	18	22	26	30
43	0501080443	3/8 X 6000 TR-TM HOSE		01	01	01	01	01
44	0501080421	3/8" X 230" TR-TM HOSE ASS		01	01	01	01	01
45	0501053834	MALE QUICK COUPLER		02	02	02	02	02
46	0501040257	3/4 X 1200 HOSE HOLDER A	5	01	01	01	01	01
47	0511010839	TRANSPORT LOCK 7.9" X 2.1" X 0.4"		01	01	01	01	01
48	0501068994	0.3" X 3.1" LOCK PIN		01	01	01	01	01
49	0503030168	HITCH PIN CLIP		02	02	02	02	02
50	0502012702	BODY SUPPORT CLAMP		02	02	02	02	02
51	0503012555	SCREW 7/16 UNC X 2 CS RT G.7 ZN		02	02	02	02	02
52	0503010180	7/16" SPRING WASHER		02	02	02	02	02
53	0503016140	3/4" WRENCH CABLE CYLINDRICAL		01	01	01	01	01
54	0501061617	1" GANG BOLT WRENCH		01	01	01	01	01
55	0501011431	1-3/4" GANG BOLT WRENCH		02	02	02	02	02
56	0511018451	5/8" X 3/4" X 1" UNIVERSAL		01	01	01	01	01
57	0521010453	AXI SHAFT		01	01	01	01	01
58	0501047895	ROD STOP		02	02	02	02	02
59	0501047887	ROD STOP		01	01	01	01	01
60	0503062157	HEADER JACK	6	01	01	01	01	01
61	0503031035	HITCH PIN CLIP		01	01	01	01	01
62	0521010549	COUPLING SHAFT		01	01	01	01	01
63	0501017579	FLAT WASHER		02	02	02	02	02
64	0511019880	FLAT WASHER		02	02	02	02	02
65	0511019920	SLEEVE 32,70 X 38,80 X 25,40		03	03	03	03	03



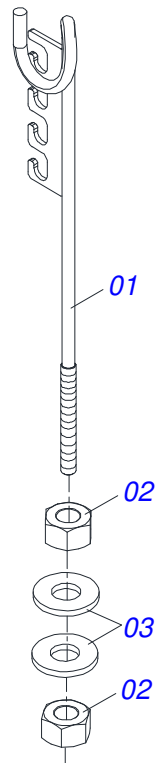
Item	Code	Description	See page	QT
01	0501110728	WHEEL HUB		01
01A	0502011121	CARRYING WHEEL HUB		01
01B	0501010127	9/16" X 1-7/8" LUG BOLT		06
01C	0503010035	9/16" CONIC NUT		06
02	0503010037	30207 ROLLER BEARING		01
03	0503010006	32210 ROLLER BEARING		01
04	0503012928	SEAL		01



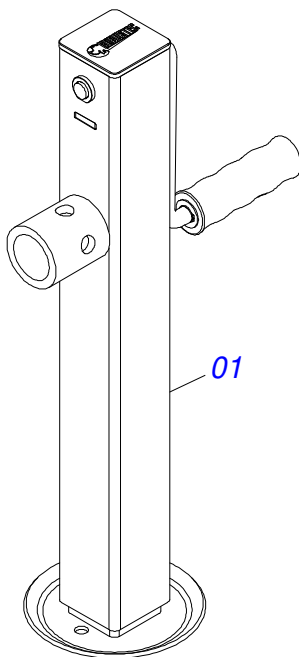
Item	Code	Description	See page	QT
01	0511070658	CYLINDER CASE		01
02	0571019958	HYDRAULIC CYLINDER TURNBUCKLE		01
03	0502040747	32.54 CLEVIS CLAMP		01
04	0503030385	CYLINDER PLUG N-002		02
05	0503010039	D-2000 SCRAPER RING		01
06	0503011094	3/8" X 2" BOLT		01
07	0503011443	3/8" SPRING WASHER		01
08	0503010026	3/8" NUT		01
09	0502012820	50.80 X 101.60 PISTON		01
10	0503010817	1.1/4" SELF LOCKING NUT		01
11	0503018025	RING GUIDE		01
12	0503018026	1870-2000-375 B GASKET		01
13	0503018024	RING BS		01
14	0503010338	2-342 N 3006-9B O'RING		02
15	0503011061	8-342 BACK-UP RING		02
16	0502012822	101.60 END CAP		01
17	0502012821	50.80 X 101.60 RING SUPPORT		01
18	0503018029	2-217 O'RING		01
19	0503015633	SELEMASTER SEALING		01



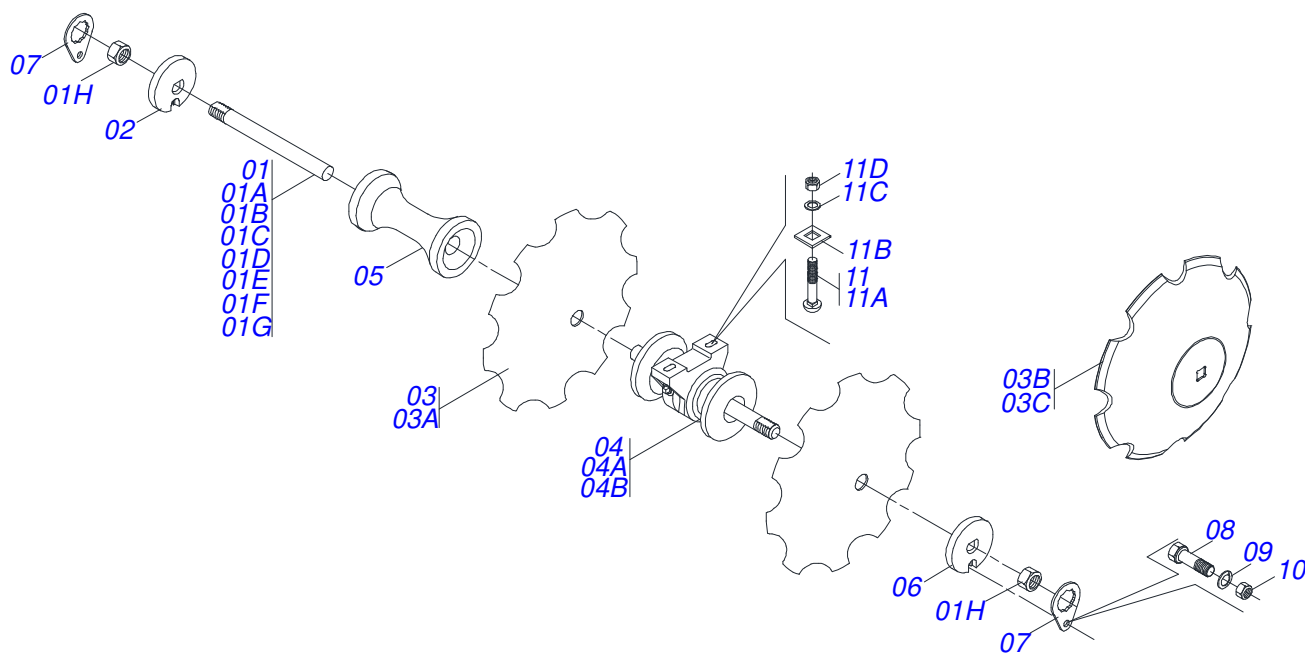
Item	Code	Description	See page	QT
001	0511065103	DRAWBAR ASSY		01
002	0521061775	TRACTOR HITCH		01
003	0501010060	1" X 6-1/2" BOLT		01
004	0503011438	SPRING WASHER		01
005	0501010059	1.5/8 NUT		01



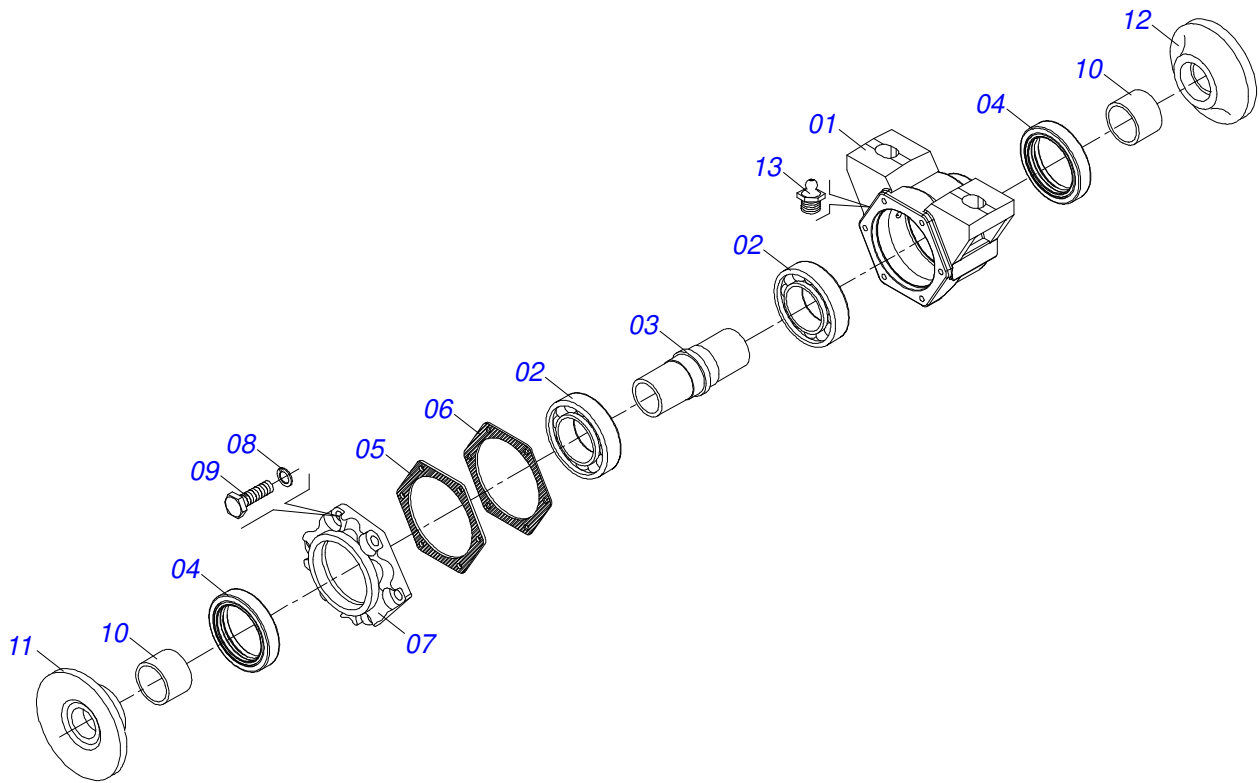
Item	Code	Description	See page	QT
01	0511067334	HOSE SOPPORT ASSY		01
02	0503010014	3/4" NUT		02
03	0501010322	FLAT WASHER		02



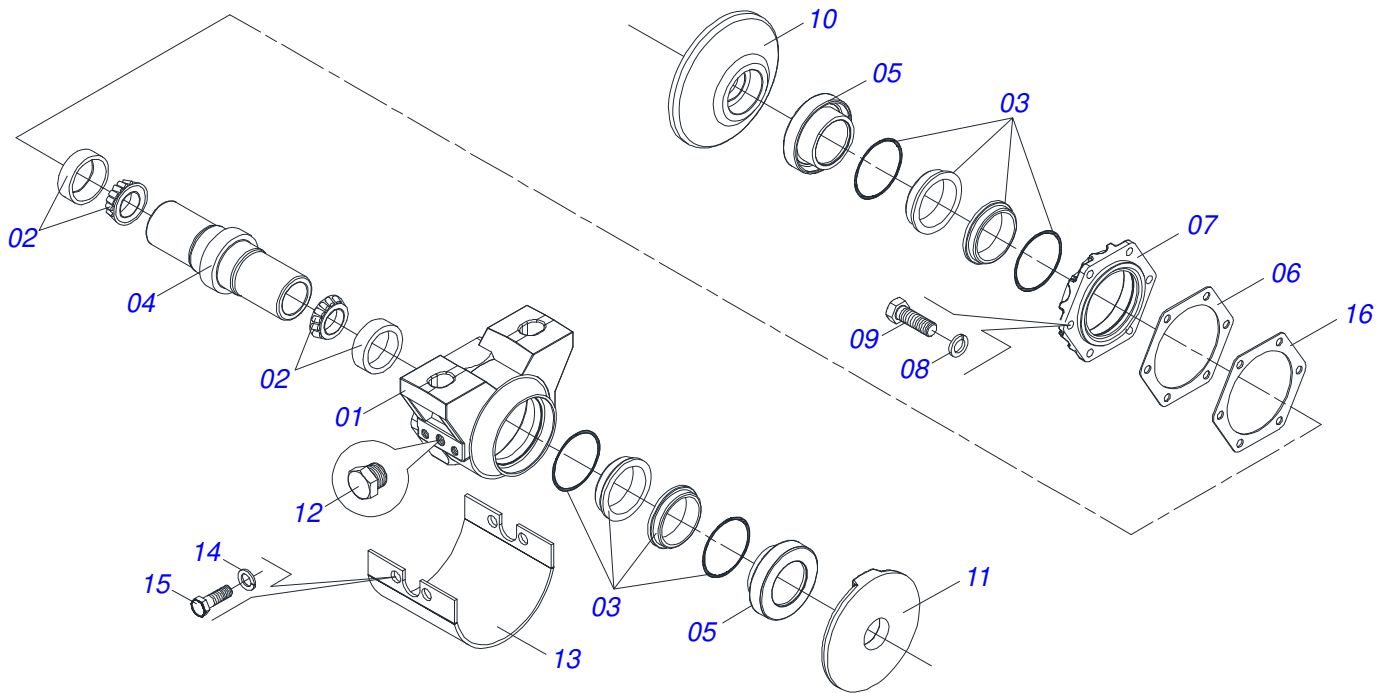
Item	Code	Description	See page	QT
01	0503062157	HEADER JACK	6	01



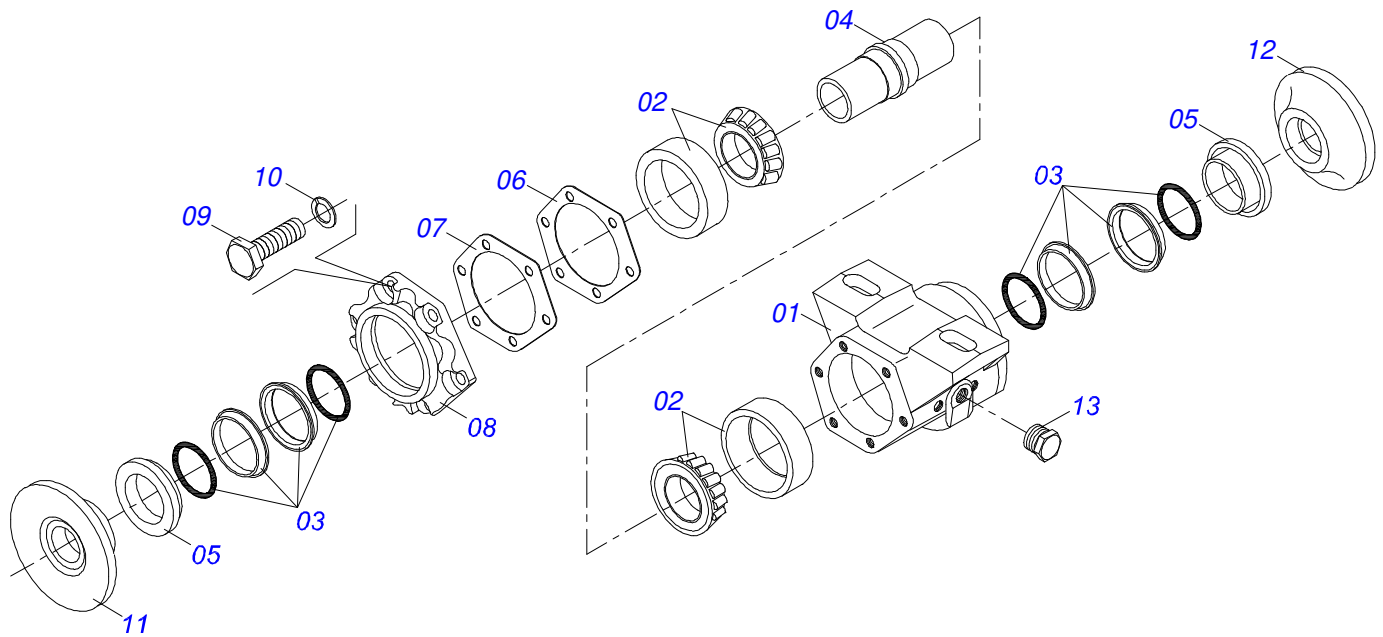
Item	Code	Description	See page	16	18	20	22	24
01	0501046811	1-5/8" X 38"- AXLE WITH NUTS 2-3/4		00	02	00	00	00
01A	0501046854	1-5/8" X 48" AXLE WITH NUTS 2-3/4		00	02	04	02	00
01B	0501046856	1-5/8" X 59" AXLE WITH NUTS 2-3/4		00	00	00	02	04
01C	0501046861	1-5/8" X 80" AXLE WITH NUTS 2-3/4"		02	00	00	00	00
01D	0501019013	1-5/8" X 38" AXLE		00	02	00	00	00
01E	0501019016	1-5/8 X 48" AXLE		00	02	04	02	00
01F	0501019012	1-5/8" X 59" AXLE		00	00	00	02	04
01G	0501019015	1-5/8 X 80" AXLE		02	00	00	00	00
01H	0502040640	1.5/8" 2.3/4" NUT		04	08	08	08	08
02	0502011048	1-5/8" EXTERNAL AXLE WASHER		02	04	04	04	04
03	0602030369	24" X 0.2" NOTCHED DISC BLADE		16	18	20	22	24
03A	0602033232	DR26X6 C89AF02FR1.11/16 10REC TATU		16	18	20	22	24
03B	0609030042	NOTCHED RAISED FLAT CENTER DISC BLADES		00	18	00	00	00
03C	0609030034	NOTCHED RAISED FLAT CENTER DISC BLADES		00	00	20	00	00
04	0501046925	262 X 1-5/8" OIL BATH BRG ASSY,FG	10	03	04	04	04	04
04A	0511040032	262 X 1.5/8" OIL BATH BRG ASSY,OPT	9	03	04	04	04	04
04B	0501046916	262 X 1-5/8" GRESABLE BRG ASSY,FG	8	03	00	00	00	00
05	0502010703	10.35" 1-5/8" SPACER		08	06	08	10	12
06	0502011047	1-5/8" INNER AXLE WASHER		02	04	04	04	04
07	0511014339	1-5/8" 2.8" NUT LOCK		04	08	08	08	08
08	0503011267	BOLT 5/8 UNC X 1.1/2 C S G.5 ZN		04	08	08	08	08
09	0503010027	5/8" SPRING WASHER		04	08	08	08	08
10	0503010013	5/8" NUT		04	08	08	08	08
11	0511040034	3/4" X 3-1/4" BOLT ASSY		12	16	16	16	16
11A	0501017303	3/4" X 3-1/4" BOLT		12	16	16	16	16
11B	0501010949	3/4" SQUARE WASHER		12	16	16	16	16
11C	0501010941	FLAT WASHER		12	16	16	16	16
11D	0503010014	3/4" NUT		24	32	32	32	32



Item	Code	Description	See page	QT
01	0502020479	BEARING HOUSING, FG		01
02	0503010005	32212 ROLLER BEARING		02
03	0502010900	BEARING AXLE		01
04	0503010087	02017-GB GREASE SEAL		02
05	0503030030	5.6" X 4.4" X 0.01" GASKET		03
06	0503030685	5.5" X 4.4" X 0.003" GASKET		02
07	0502020523	BEARING CAP		01
08	0503011443	3/8" SPRING WASHER		06
09	0503010237	3/8" X 1" BOLT		06
10	0502040591	SPACING BUSHING		02
11	0502040239	OUTER FLANGE		01
12	0502040240	INNER FLANGE		01
13	0503010002	1800 GREASE FITTING		01



Item	Code	Description	See page	QT
01	0502020633	HOUSING BEARING		01
02	0503010005	32212 ROLLER BEARING		02
03	0503030027	DUO-CONE SEAL		02
04	0502010900	BEARING AXLE		01
05	0502010735	SEAL RETAINER		02
06	0503030030	5.6" X 4.4" X 0.01" GASKET		02
07	0502020161	WEAR PLATE BEARING		01
08	0503011443	3/8" SPRING WASHER		06
09	0503010237	3/8" X 1" BOLT		06
10	0502040239	OUTER FLANGE		01
11	0502040240	INNER FLANGE		01
12	0503010856	OIL PLUG		02
13	0521012933	BEARING WEAR PLATE		01
14	0503010019	1/2" SPRING WASHER		02
15	0503011401	1/2" X 3/4" BOLT		02
16	0503030685	5.5" X 4.4" X 0.003" GASKET		02



Item	Code	Description	See page	QT
01	0502020481	HOUSING DM		01
02	0503010005	32212 ROLLER BEARING		02
03	0503030027	DUO-CONE SEAL		02
04	0502010900	BEARING AXLE		01
05	0502010735	SEAL RETAINER		02
06	0503030030	5.6" X 4.4" X 0.01" GASKET		02
07	0503030685	5.5" X 4.4" X 0.003" GASKET		02
08	0502020161	WEAR PLATE BEARING		01
09	0503010237	3/8" X 1" BOLT		06
10	0503011443	3/8" SPRING WASHER		06
11	0502040239	OUTER FLANGE		01
12	0502040240	INNER FLANGE		01
13	0503010856	OIL PLUG		01



MARCHESAN

Technical Publications | Elaboration and Revision

ALESSANDRA PATRICIA KAWAHARA CARRILI

www.marchesan.com.br

