

OFFSET DISK HARROW

ATCRL 6009 - 14/16/18/20/22/24/28/32/36D

Code: 0501091160
Series: S-1091
Revision: 00
Date Revision: AGOSTO/2021

PARTS CATALOGUE



MARCHESAN



PRODUCTS

Code	Description
0102440165	ATCRL 14 X 24 X 4,75 CM S-1091
0102440235	ATCRL 14 X 24 X 6,00 DM S-1091
0102440168	ATCRL 14 X 26 X 4,75 CM S-1091
0102440247	ATCRL 14 X 26 X 6,00 CM S-1091
0102440166	ATCRL 16 X 24 X 4,75 CM S-1091
0102440162	ATCRL 16 X 24 X 4,75 CON DM S-1091
0102440170	ATCRL 16 X 26 X 4,75 CM S-1091
0102440171	ATCRL 16 X 26 X 4,75 DM S-1091
0102440248	ATCRL 16 X 26 X 6,00 CM S-1091
0102440173	ATCRL 18 X 26 X 4,75 CM S-1091
0102440249	ATCRL 18 X 26 X 6,00 CM S-1091
0102440149	ATCRL 20 X 24 X 4,75 CM S-1091
0102440176	ATCRL 20 X 26 X 4,75 CM S-1091
0102440250	ATCRL 20 X 26 X 6,00 CM S-1091
0102440178	ATCRL 24 X 24 X 4,75 CM S-1091
0102440154C	ATCRL 6009 14 X 24 X 4,75 DM EXP S-1091
0102440154	ATCRL 6009 14 X 24 X 4,75 DM S-1091
0102440494	ATCRL 6009 14 X 24 X 6,00 CM DR S-1091
0102440471	ATCRL 6009 14 X 24 X 6,00 DM DR S-1091
0102440169	ATCRL 6009 14 X 26 X 4,75 DM S-1091
0102440495	ATCRL 6009 14 X 26 X 6,00 CM S-1091
0102440190	ATCRL 6009 14 X 26 X 6,00 DM S-1091
0102440468	ATCRL 6009 14X24X6,00 CON CM S-1091
0102440201	ATCRL 6009 14X24X6,00 CON DM S-1091
0102440365	ATCRL 6009 16 S/QUADRO S-1091
0102440348	ATCRL 6009 16 X 22 X 4,75 DM S-1091
0102440480C	ATCRL 6009 16 X 24 X 4,75 DM C/PROT EXP S-1091
0102440480	ATCRL 6009 16 X 24 X 4,75 DM C/PROT S-1091
0102440111C	ATCRL 6009 16 X 24 X 4,75 DM EXP S-1091
0102440111	ATCRL 6009 16 X 24 X 4,75 DM S-1091

ATTENTION: IMPORTANT

Marchesan S.A. reserves the right to improve and / or modify the technical features of its products, without obligation to do the same with those products already sold and without prior knowledge of the dealer or the consumer.



PRODUCTS

0102440496	ATCRL 6009 16 X 24 X 6,00 CM S-1091
0102440221C	ATCRL 6009 16 X 24 X 6,00 DM EXP S-1091
0102440221	ATCRL 6009 16 X 24 X 6,00 DM S-1091
0102440497	ATCRL 6009 16 X 26 X 6,00 CM S-1091
0102440155C	ATCRL 6009 16 X 26 X 6,00 DM EXP S-1091
0102440155	ATCRL 6009 16 X 26 X 6,00 DM S-1091
0102440359	ATCRL 6009 16X24X4,75DM 11L15 S1091
0102440202	ATCRL 6009 16X24X6,00 CON DM S-1091
0102440347	ATCRL 6009 18 X 22 X 4,75 DM S-1091
0102440099C	ATCRL 6009 18 X 24 X 4,75 DM EXP S-1091
0102440099	ATCRL 6009 18 X 24 X 4,75 DM S-1091
0102440498	ATCRL 6009 18 X 24 X 6,00 CM S-1091
0102440222C	ATCRL 6009 18 X 24 X 6,00 DM EXP S-1091
0102440222	ATCRL 6009 18 X 24 X 6,00 DM S-1091
0102440499	ATCRL 6009 18 X 26 X 6,00 CM S-1091
0102440156C	ATCRL 6009 18 X 26 X 6,00 DM EXP S-1091
0102440156	ATCRL 6009 18 X 26 X 6,00 DM S-1091
0102440167	ATCRL 6009 18X24X4,75 CON DM S-1091
0102440198	ATCRL 6009 18X24X6,00 CON DM S-1091
0102440465	ATCRL 6009 18X26X4,75DM C/PN S-1091
0102440174	ATCRL 6009 18X26X4,75DM S/PN S-1091
0102440349	ATCRL 6009 20 X 22 X 4,75 DM S-1091
0102440102C	ATCRL 6009 20 X 24 X 4,75 DM EXP S-1091
0102440102	ATCRL 6009 20 X 24 X 4,75 DM S-1091
0102440224	ATCRL 6009 20 X 24 X 6,00 DM S-1091
0102440177	ATCRL 6009 20 X 26 X 4,75 DM S-1091
0102440157C	ATCRL 6009 20 X 26 X 6,00 DM EXP S-1091
0102440157	ATCRL 6009 20 X 26 X 6,00 DM S-1091
0102440163	ATCRL 6009 20X24X4,75 CON DM S-1091
0102440387	ATCRL 6009 20X24X4,75 DM MT S-1091
0102440360	ATCRL 6009 20X24X4,75DM 11L15 S1091

ATTENTION: IMPORTANT

Marchesan S.A. reserves the right to improve and / or modify the technical features of its products, without obligation to do the same with those products already sold and without prior knowledge of the dealer or the consumer.



PRODUCTS

0102440199	ATCRL 6009 20X24X6,00 CON DM S-1091
0102440373C	ATCRL 6009 22 X 24 X 4,75 DM EXP S-1091
0102440373	ATCRL 6009 22 X 24 X 4,75 DM S-1091
0102440430	ATCRL 6009 22 X 26 X 4,75 DM S-1091
0102440251	ATCRL 6009 22 X 26 X 6,00 CM S-1091
0102440255C	ATCRL 6009 22 X 26 X 6,00 DM EXP S-1091
0102440255	ATCRL 6009 22 X 26 X 6,00 DM S-1091
0102440257	ATCRL 6009 22X24X6,00 CON DM S-1091
0102440449C	ATCRL 6009 22X26X4,75 DM ESP EXP S-1091
0102440305	ATCRL 6009 22X26X4,75 DM EXP S-1091
0102440449	ATCRL 6009 22X26X4,75 ESPEC. S-1091
0102440364	ATCRL 6009 24 S/CHASSI S-1091
0102440150	ATCRL 6009 24 X 24 X 4,75 DM S-1091
0102440150C	ATCRL 6009 24 X 24 X 4,75 DM S-1091 EXP
0102440223C	ATCRL 6009 24 X 24 X 6,00 DM EXP S-1091
0102440252C	ATCRL 6009 24 X 24 X 6,00 DM MT EXP S-1091
0102440223	ATCRL 6009 24 X 24 X 6,00 DM S-1091
0102440180	ATCRL 6009 24 X 26 X 4,75 DM S-1091
0102440159C	ATCRL 6009 24 x 26 x 6,0 DM EXP S-1091
0102440482C	ATCRL 6009 24 X 26 X 6,0 DM S/PN C/PROT EXP S-1091
0102440159	ATCRL 6009 24 X 26 X 6,00 DM S-1091
0102440482	ATCRL 6009 24 X 26 X 6,00 DM S/PN C/PROT S-1091
0102440164	ATCRL 6009 24X24X4,75 CON DM S-1091
0102440361	ATCRL 6009 24X24X4,75DM 11L15 S1091
0102440203	ATCRL 6009 24X24X6,00 CON DM S-1091
0102440463	ATCRL 6009 24X26X4,75 ESPEC. S-1091
0102440151C	ATCRL 6009 28 X 24 X 4,75 DM EXP S-1091
0102440151	ATCRL 6009 28 X 24 X 4,75 DM S-1091
0102440380C	ATCRL 6009 28 X 24 X 6,00 DM MT EXP S-1091
0102440380	ATCRL 6009 28 X 24 X 6,00 DM MT S-1091
0102440183C	ATCRL 6009 28 X 26 X 4,75 DM EXP S-1091

ATTENTION: IMPORTANT

Marchesan S.A. reserves the right to improve and / or modify the technical features of its products, without obligation to do the same with those products already sold and without prior knowledge of the dealer or the consumer.



PRODUCTS

0102440183	ATCRL 6009 28 X 26 X 4,75 DM S-1091
0102440160C	ATCRL 6009 28 X 26 X 6,00 DM EXP S-1091
0102440160	ATCRL 6009 28 X 26 X 6,00 DM S-1091
0102440258	ATCRL 6009 28X24X4,75 CON DM S-1091
0102440362	ATCRL 6009 28X24X4,75DM 11L15 S1091
0102440454C	ATCRL 6009 28X26X4,75 DM ESP EXP S-1091
0102440454	ATCRL 6009 28X26X4,75 ESPEC. S-1091
0102440490C	ATCRL 6009 28X26X6,00 DM ESP EXP S-1091
0102440490	ATCRL 6009 28X26X6,00 ESPEC S-1091
0102440152	ATCRL 6009 32 X 24 X 4,75 DM S-1091
0102440186C	ATCRL 6009 32 X 26 X 4,75 DM EXP S-1091
0102440186	ATCRL 6009 32 X 26 X 4,75 DM S-1091
0102440469	ATCRL 6009 32 X 26 X 4,75 DM S/PN C/PROT S-1091
0102440158C	ATCRL 6009 32 X 26 X 6,00 DM EXP S-1091
0102440483	ATCRL 6009 32 X 26 X 6,00 DM C/PROT S/PN S-1091
0102440158	ATCRL 6009 32 X 26 X 6,00 DM S-1091
0102440259	ATCRL 6009 32X24X4,75 CON DM S-1091
0102440153	ATCRL 6009 36 X 24 X 4,75 DM S-1091
0102440473	ATCRL 6009 36 X 26 X 4,75 DM DL S/PN C/PROT S-1091
0102440189C	ATCRL 6009 36 X 26 X 4,75 DM EXP S-1091
0102440189	ATCRL 6009 36 X 26 X 4,75 DM S-1091
0102440472	ATCRL 6009 36 X 26 X 4,75 DM S/PN S-1091
0102440217	ATCRL 6009 36 X 26 X 6,00 DM S-1091
0102440466C	ATCRL 6009 36X26X6,0 DM ESPEC EXP S1091
0102440466	ATCRL 6009 36X26X6,0 DM ESPEC S1091

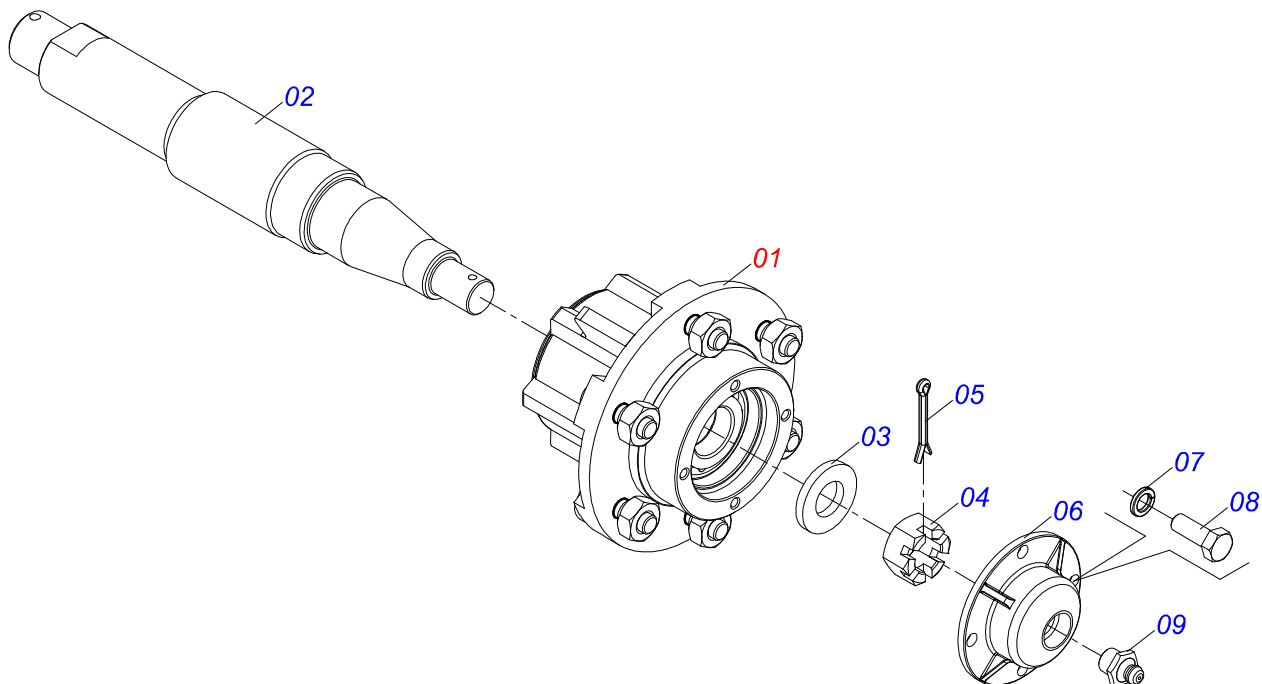
ATTENTION: IMPORTANT

Marchesan S.A. reserves the right to improve and / or modify the technical features of its products, without obligation to do the same with those products already sold and without prior knowledge of the dealer or the consumer.



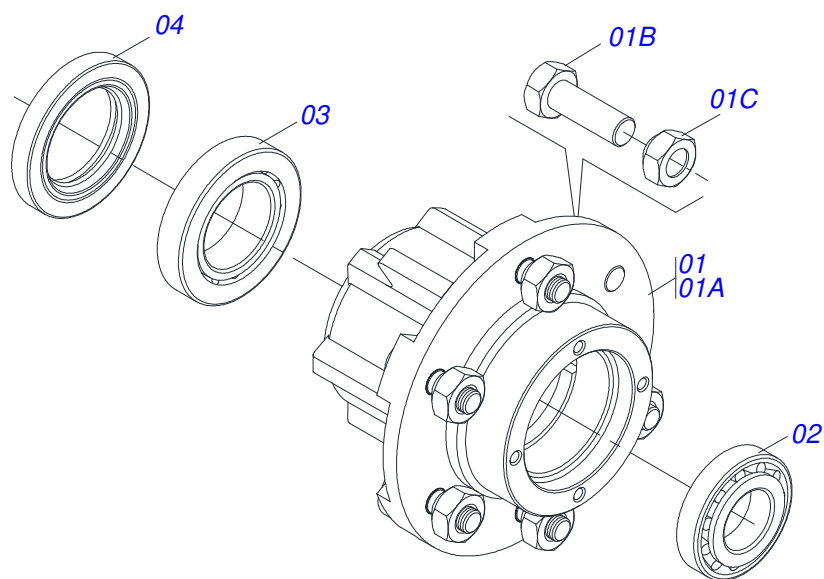
INDEX

0909091488	14/16/18/20/22/24/28/32/36D - FRAME ASSY	1
0501051634	TSTUB SHAFT & HUB ASSY	2
0501051142	CARRYING WHEEL HUB	3
0503060094	WHEEL AND TIRE ASSY	4
0503060091	L29.5"X0.63"-10L WHEEL AND	5
0511058298	HYDRAULIC CYLINDER	6
0511059180	HYDRAULIC CYLINDER	7
0501041096	DRAWBAR ASSY	8
0501040257	3/4 X 1200 HOSE HOLDER A	9
0501053834	MALE QUICK COUPLER WITH CAP - 1/2 NPT	10
0909092213	14/16/18/20/22/24/28/32/36D - DISC GANG SECTION	11
0501044315	9" X 1-1/2" OIL BATH BEARING	12
0501044317	CM GX 225 1.1/2" PR BEARING ASSY	13
0501046311	OIL BATH BEARING	14

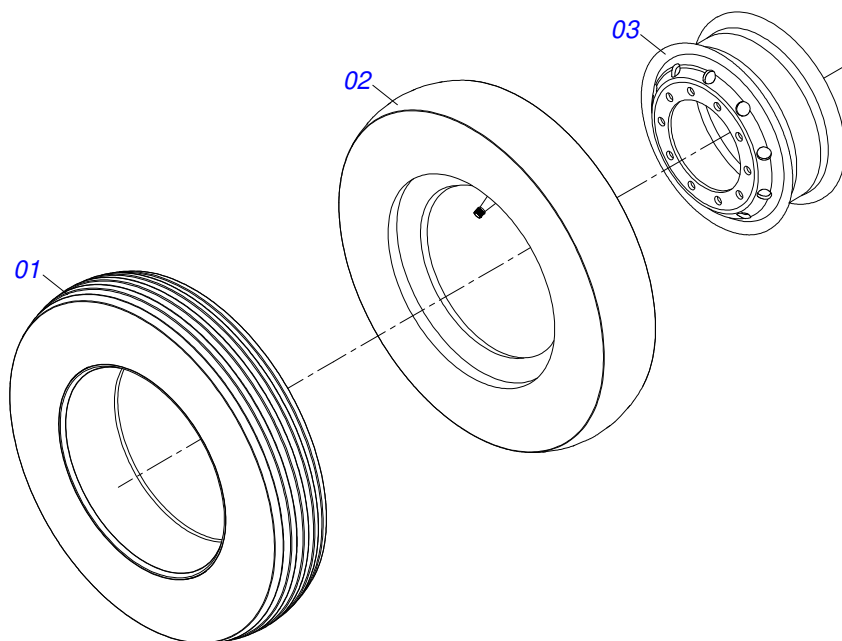


Item	Code	Description	See page	QT
01	0501051142	CARRYING WHEEL HUB	3	01
02	0521010821	2.5" X 16.5" AXLE		01
03	0501016545	FLAT WASHER		01
04	0503030009	1" CASTLE NUT		01
05	0503010018	5/32 X 1-1/2 COTTERPIN		01
06	0502020591	PROTECCION COVER		01
07	0503011444	SPRING WASHER		04
08	0503010358	5/16" X 5/8" BOLT		04
09	0503010002	1800 GREASE FITTING		01

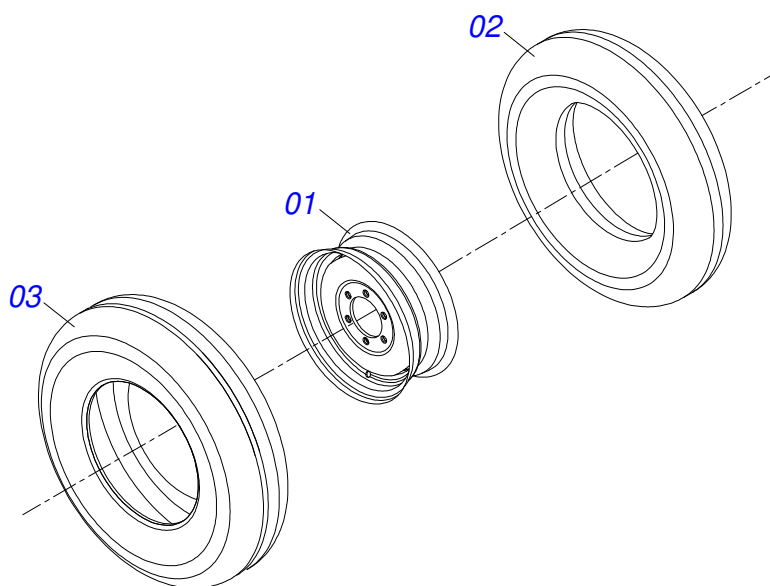
CARRYING WHEEL HUB



Item	Code	Description	See page	QT
01	0501110728	WHEEL HUB		01
01A	0502011121	CARRYING WHEEL HUB		01
01B	0501010127	9/16" X 1-7/8" LUG BOLT		06
01C	0503010035	9/16" CONIC NUT		06
02	0503010037	30207 ROLLER BEARING		01
03	0503010006	32210 ROLLER BEARING		01
04	0503012928	SEAL		01

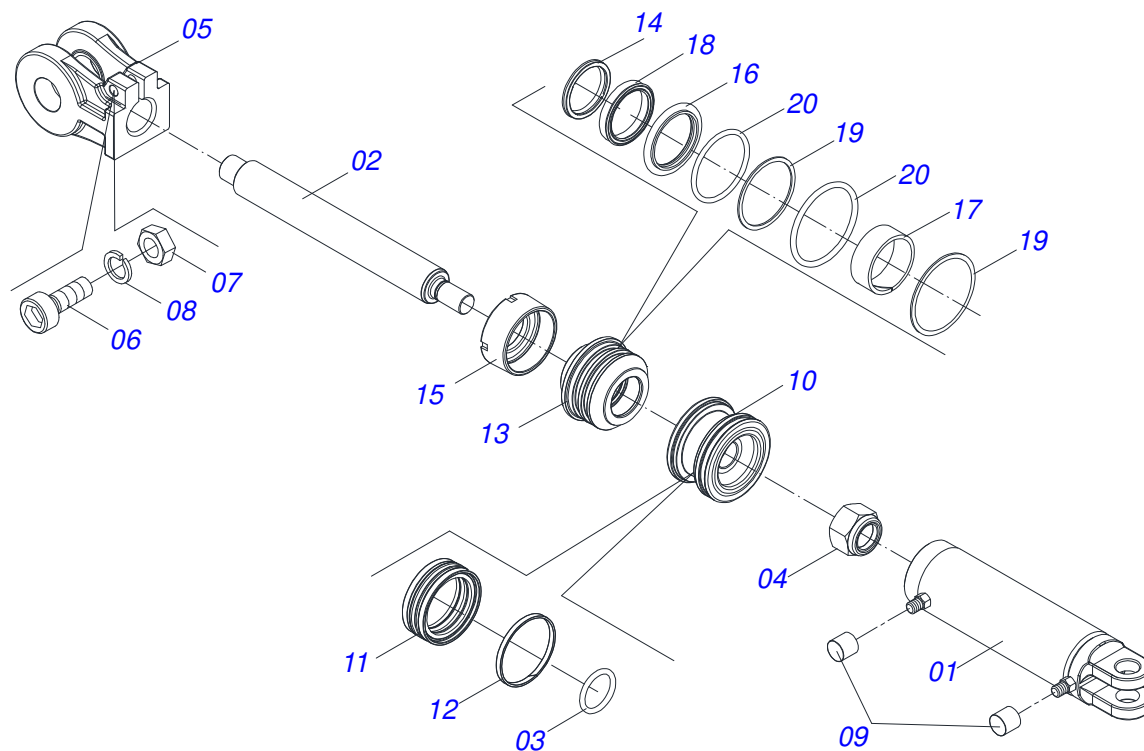


Item	Code	Description	See page	QT
01	0503010065	CANVAS TIRE		01
02	0503010068	6.00 X 16 INNER TIRE		01
03	0503010894	0.2"X0.6"X4.6"X6F0.6"X6" WHEEL		01



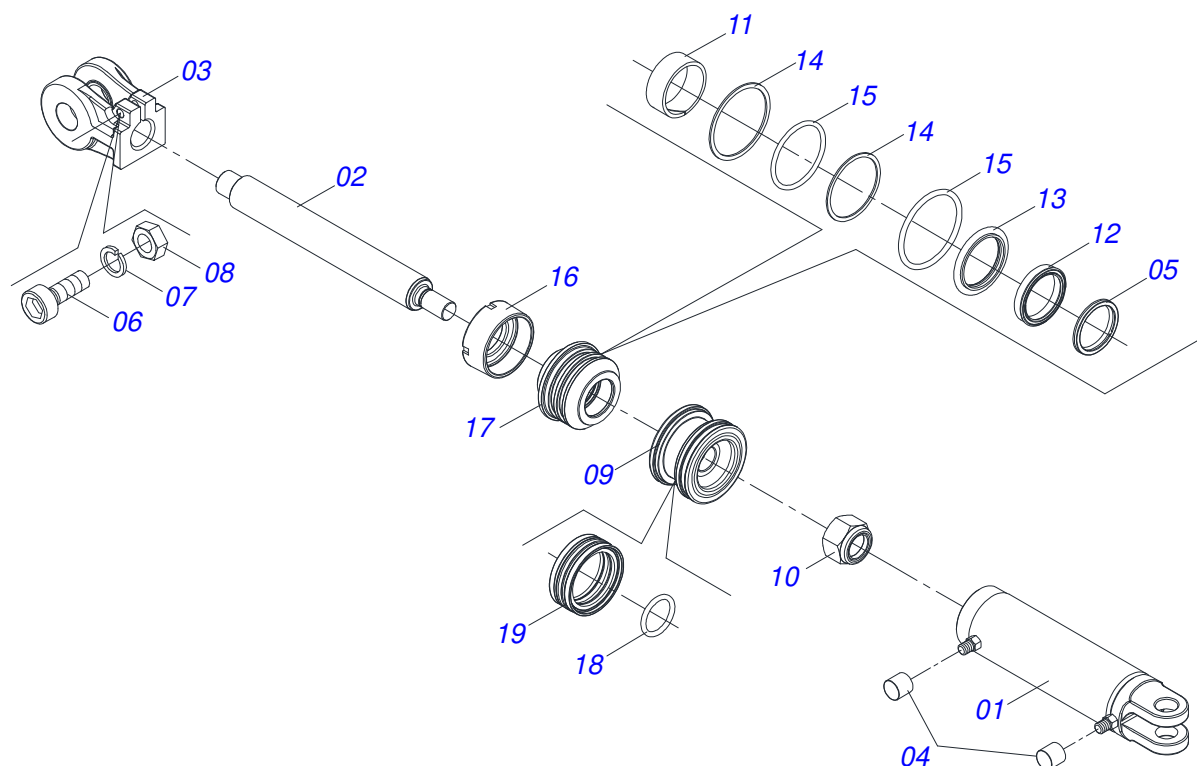
Item	Code	Description	See page	QT
01	0503010893	WHEEL		01
02	0503010033	7.50 X 16 INNER TIRE		01
03	0503010120	CANVAS TIRE		01

HYDRAULIC CYLINDER



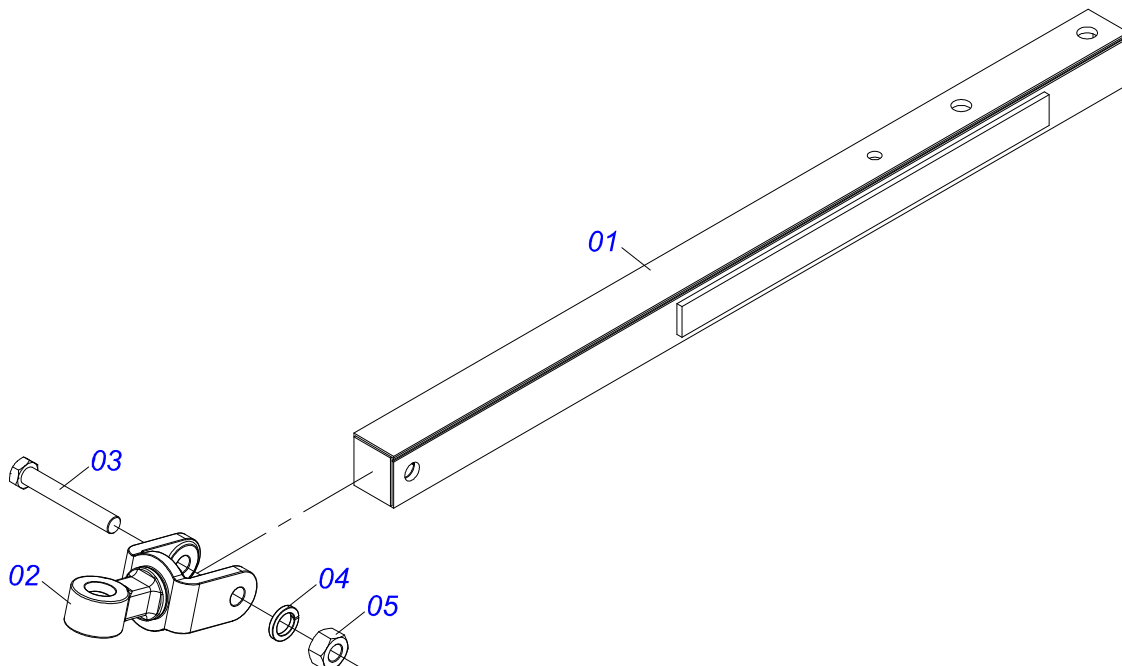
Item	Code	Description	See page	QT
001	0511061588	3.4" X 16" CYLINDER CASE		01
002	0521010421	HYDRAULIC CYLINDER TURNBUCKLE		01
003	0503010042	2-214 N 3006-9B O'RING		01
004	0503010063	1" SELF-ALIGNING NUT		01
005	0502040747	32.54 CLEVIS CLAMP		01
006	0503011094	3/8" X 2" BOLT		01
007	0503010026	3/8" NUT		01
008	0503010025	3/8" SPRING WASHER		01
009	0503030385	CYLINDER PLUG N-002		02
010	0571019710	1.7" X 3.4" PISTON		01
011	0503017935	RING		01
012	0503018144	RING		01
013	0571019711	RING SUPPORT		01
014	0503010761	D-1750 SCRAPER RING		01
015	0571019709	DETACHABLE COVER		01
016	0503017936	RING		01
017	0503017938	RING GUIDE		01
018	0503017937	GASKET		01
019	0503017940	8-337 BACK-UP RING		02
020	0503017939	2-337 N 3006-9B O' RING		02

HYDRAULIC CYLINDER

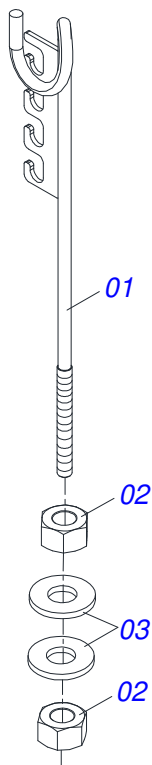


Item	Code	Description	See page	QT
01	0511070658	CYLINDER CASE		01
02	0571019958	HYDRAULIC CYLINDER TURNBUCKLE		01
03	0502040747	32.54 CLEVIS CLAMP		01
04	0503030385	CYLINDER PLUG N-002		02
05	0503010039	D-2000 SCRAPER RING		01
06	0503011094	3/8" X 2" BOLT		01
07	0503011443	3/8" SPRING WASHER		01
08	0503010026	3/8" NUT		01
09	0502012820	50.80 X 101.60 PISTON		01
10	0503010817	1.1/4" SELF LOCKING NUT		01
11	0503018025	RING GUIDE		01
12	0503018026	1870-2000-375 B GASKET		01
13	0503018024	RING BS		01
14	0503010338	2-342 N 3006-9B O'RING		02
15	0503011061	8-342 BACK-UP RING		02
16	0502012822	101.60 END CAP		01
17	0502012821	50.80 X 101.60 RING SUPPORT		01
18	0503018029	2-217 O'RING		01
19	0503015633	SELEMASTER SEALING		01

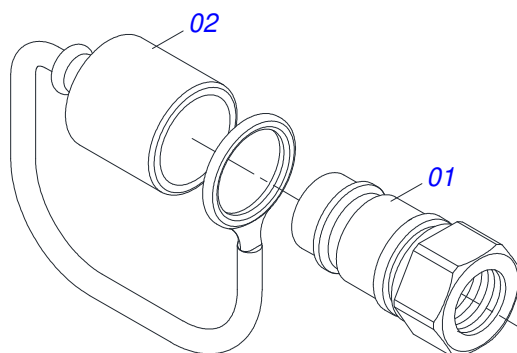
DRAWBAR ASSY



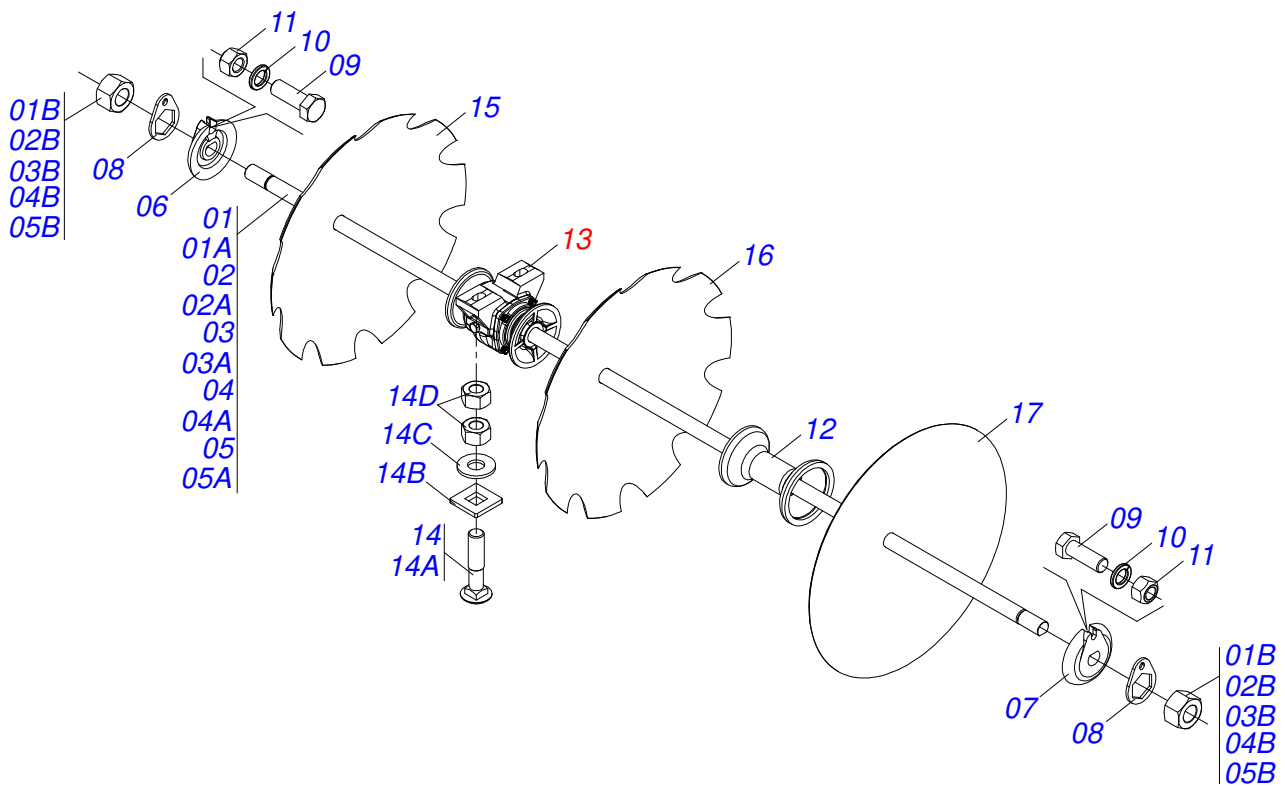
Item	Code	Description	See page	QT
01	0501060188	DRAWBAR ASSY		01
02	0521061775	TRACTOR HITCH		01
03	0501010060	1" X 6-1/2" BOLT		01
04	0503011438	SPRING WASHER		01
05	0501010059	1.5/8 NUT		01



Item	Code	Description	See page	QT
01	0511067334	HOSE SOPPORT ASSY		01
02	0503010014	3/4" NUT		02
03	0501010322	FLAT WASHER		02



Item	Code	Description	See page	QT
01	0503011627	MALE QUICK COUPLER AGR 1/2 NPT		01
02	0503011882	MALE QUICK COUPLER CAP		01



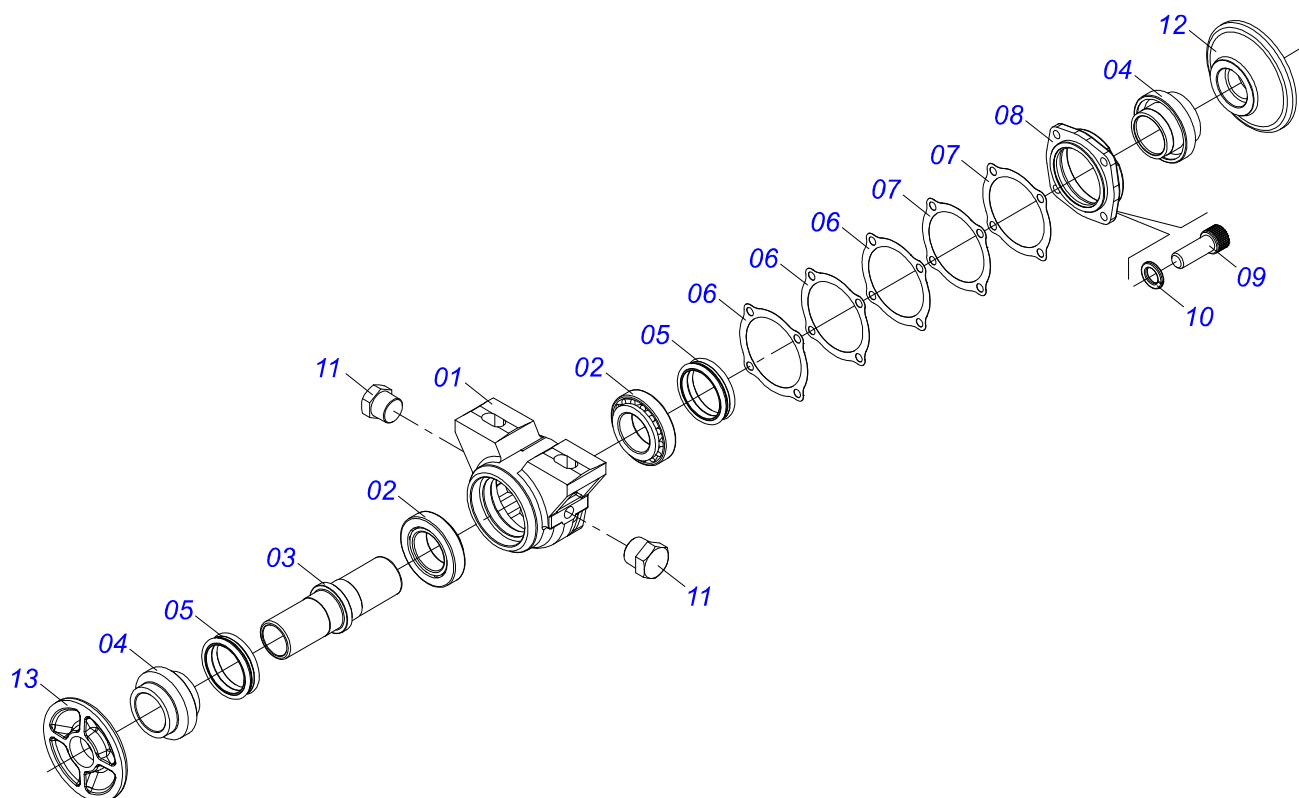
Item	Code	Description	See page	14	16	18	20	22	24	28	32	36
01	0501043697	1.1/2" X 1505 AXLE ASSY		02	00	00	00	00	00	04	00	00
01A	0511012601	1.1/2" X 1505 AXLE		02	00	00	00	00	00	04	00	00
01B	0501010110	1.1/2" NUT		04	00	00	00	00	00	08	00	00
02	0501043837	1-1/2" X 68" AXLE WITH NUTS		00	02	00	00	00	00	00	04	00
02A	0511010225	1-1/2" X 68" AXLE		00	02	00	00	00	00	00	04	00
02B	0501010110	1.1/2" NUT		00	04	00	00	00	00	00	08	00
03	0501043756	1-1/2" X 77" AXLE WITH NUTS		00	00	02	00	00	00	00	00	00
03A	0511010230	1-1/2" X 77" AXLE		00	00	02	00	00	00	00	00	00
03B	0501010110	1.1/2" NUT		00	00	04	00	00	00	00	00	00
04	0501043835	1.1/2" X 1040 AXLE W/NUT		00	00	00	04	02	00	00	00	00
04A	0511010224	1.1/2" X 1040 AXLE		00	00	00	04	02	00	00	00	00
04B	0501010110	1.1/2" NUT		00	00	00	08	04	00	00	00	00
05	0501043689	1-1/2" X 1275 AXLE W/NUT		00	00	00	00	02	04	00	00	06
05A	0511012600	1-1/2" X 1275 AXLE		00	00	00	00	02	04	00	00	06
05B	0501010110	1.1/2" NUT		00	00	00	00	04	08	00	00	12
06	0502010871	1-1/2" EXTERNAL AXLE WASHER		02	02	02	04	04	04	04	04	06
07	0502010872	1-1/2" INNER AXLE WASHER		02	02	02	04	04	04	04	04	06
08	0501018592	1.5/8" NUT LOCK		04	04	04	08	08	08	08	08	12
09	0503011267	BOLT 5/8 UNC X 1.1/2" C S G.5 ZN		04	04	04	08	08	08	08	08	12
10	0503010027	5/8" SPRING WASHER		04	04	04	08	08	08	08	08	12
11	0503010013	5/8" NUT		04	04	04	08	08	08	08	08	12
12	0502010621	8.8" 1-1/2" SPACER		08	08	10	08	10	12	16	20	18
13	0501044315	9" X 1-1/2" OIL BATH BEARING	12	04	06	06	08	08	08	08	08	12
13.	0501044317	CM GX 225 1.1/2" PR BEARING ASSY	13	04	00	00	00	08	00	00	00	00
13..	0501046311	OIL BATH BEARING	14	00	06	06	00	08	08	08	08	12
14	0501058802	5/8 UNC X 2.3/4 BOLT ASSY		08	12	12	16	16	16	16	16	24
14A	0503015154	5/8" X 2.3/4" BOLT		08	12	12	16	16	16	16	16	24
14B	0501010947	5/8 NUT LOCK		08	12	12	16	16	16	16	16	24
14C	0501012140	FLAT WASHER		08	12	12	16	16	16	16	16	24
14D	0503010013	5/8" NUT		16	24	24	32	32	32	32	32	48
15	0602033283	NOTCHED DISC BLADE		14	00	18	20	22	24	28	32	36



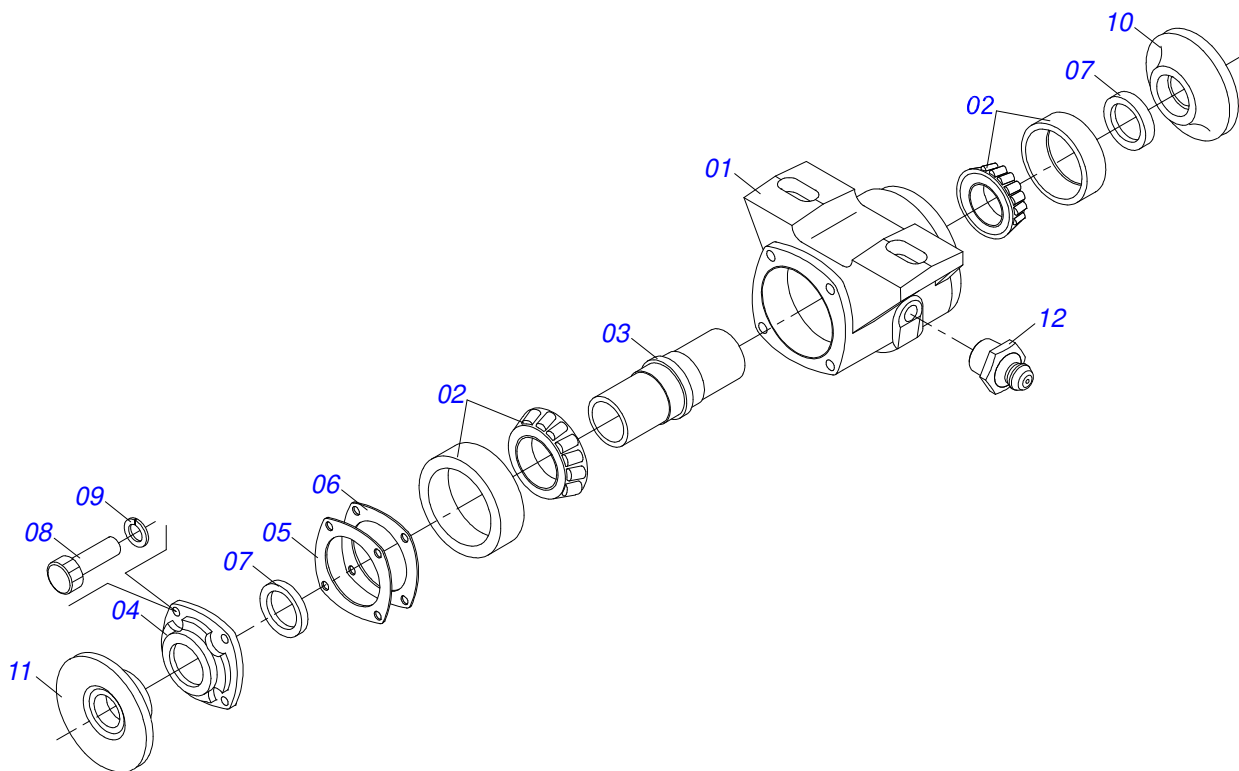
14/16/18/20/22/24/28/32/36D - DISC GANG SECTION

0909092213

Item	Code	Description	See page	14	16	18	20	22	24	28	32	36
15.	0602033231	26X6 NOTCHED DISC BLADE		14	00	18	20	22	24	28	32	36
15..	0602033213	DR26X6 C90AF02FR1.9/16 10REC TATU		00	16	00	00	00	00	00	00	00
15...	0602030237	24" X 4,75" NOTCHED DISC BLADE		14	16	18	20	22	24	28	32	36
15....	0602030283	24" X 6 NOTCHED DISC BLADE		14	16	18	20	00	24	14	00	00
16	0609030034	NOTCHED RAISED FLAT CENTER DISC BLADES		14	16	18	20	22	24	00	32	36
16.	0609030032	DRC25GC8 24X4,75 C98AF02FR1.9/16 8R		00	00	18	00	00	24	00	32	00
16..	0602029396	22X4,75 NOTCHED DISC BLADE		00	16	18	20	22	00	00	00	00
17	0601034036	DL26X4,75 C89AF02FR1.9/16 TATU		00	00	00	00	00	00	00	00	36
17.	0601030305	DL24X6 C84AF02FR1.9/16 TATU		00	00	00	00	00	00	14	00	00
17..	0601030246	24" X 0.2" PLAIN DISC BLADE		00	00	00	10	00	00	00	00	00

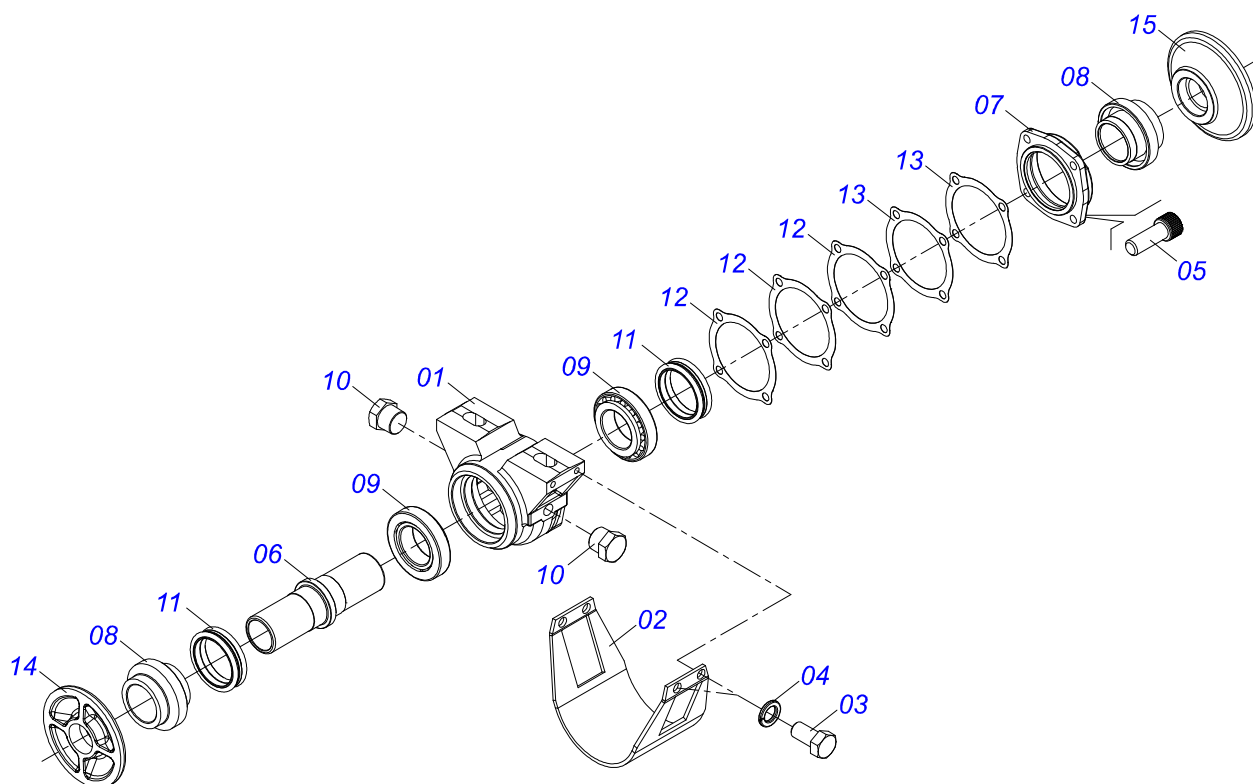


Item	Code	Description	See page	QT
01	0502010540	HOUSING DM		01
02	0503010006	32210 ROLLER BEARING		02
03	0502040611	AXLE		01
04	0502010821	SEAL RETAINER		02
05	0503030026	SEAL LP JB-253		02
06	0503030013	4.4" X 3.5" X 0.004" JOINT		03
07	0503030684	4.4" X 3.5" X 0.004" JOINT		02
08	0502020424	HOUSING CAP		01
09	0503010134	3/8" X 1" BOLT		04
10	0503011443	3/8" SPRING WASHER		04
11	0503010856	OIL PLUG		02
12	0502010604	OUTER FLANGE		01
13	0502010605	INNER FLANGE		01



Item	Code	Description	See page	QT
01	0502020313	HOUSING CM		01
02	0503010006	32210 ROLLER BEARING		02
03	0502040611	AXLE		03
04	0502020273	HOUSING CAP CM		01
05	0503030684	4.4" X 3.5" X 0.004" JOINT		01
06	0503030013	4.4" X 3.5" X 0.004" JOINT		01
07	0503010468	SEAL 01199-GB		02
08	0503010237	3/8" X 1" BOLT		04
09	0503011443	3/8" SPRING WASHER		04
10	0502010605	INNER FLANGE		01
11	0502010604	OUTER FLANGE		01
12	0503010002	1800 GREASE FITTING		01

OIL BATH BEARING



Item	Code	Description	See page	QT
01	0502011751	OIL HOUSING BEARING		01
02	0511010829	BEARING GUARD		01
03	0503011334	BOLT 3/8 UNC X 3/4 CS G.5 ZN		04
04	0503010025	3/8" SPRING WASHER		04
05	0503010134	3/8" X 1" BOLT		04
06	0502040611	AXLE		01
07	0502020424	HOUSING CAP		01
08	0502010821	SEAL RETAINER		02
09	0503010006	32210 ROLLER BEARING		02
10	0503010856	OIL PLUG		02
11	0503030026	SEAL LP JB-253		02
12	0503030013	4.4" X 3.5" X 0.004" JOINT		03
13	0503030684	4.4" X 3.5" X 0.004" JOINT		02
14	0502010605	INNER FLANGE		01
15	0502010604	OUTER FLANGE		01



MARCHESAN

Technical Publications | Elaboration and Revision

ALESSANDRA PATRICIA KAWAHARA CARRILI

www.marchesan.com.br

