

OFFSET DISK HARROW

ATCR 32/36/40/44D

Code: 0501091159
Series: S-1094
Revision: 00
Date Revision: FEVEREIRO/2022

PARTS CATALOGUE



MARCHESAN



PRODUCTS

Code	Description
0102440371	ATCR 32 S/DISCO DM S-1094
0102440467	ATCR 32 X 24 X 6,00 DM DR S-1094
0102440470	ATCR 32 X 24 X 6,00 DM DR ESPECIAL S-1094
0102440470C	ATCR 32 X 24 X 6,00 DR DM ESPECIAL EXP S-1094
0102440268	ATCR 32 X 26 X 6,00 CM S-1094
0102440019	ATCR 32 X 26 X 6,00 CM S-1094
0102440049	ATCR 32 X 26 X 6,00 DM S-1094
0102440287	ATCR 32 X 26 X 6,00 DM S-1094
0102440193	ATCR 32 X 26 X 6,00 DM UR S-1094
0102440020	ATCR 32 X 28 X 6,00 CM S-1094
0102440269	ATCR 32 X 28 X 6,00 CM S-1094
0102440050	ATCR 32 X 28 X 6,00 DM S-1094
0102440288	ATCR 32 X 28 X 6,00 DM S-1094
0102440200	ATCR 32 X 28 X 6,00 DM UR S-1094
0102440021	ATCR 32 X 28 X 7,50 CM S-1094
0102440270	ATCR 32 X 28 X 7,50 CM S-1094
0102440280	ATCR 32 X 28 X 7,50 DM S-1094
0102440051	ATCR 32 X 28 X 7,50 DM S-1094
0102440187	ATCR 36 X 24 X 4,75 CM S-1094
0102440271	ATCR 36 X 26 X 6,00 CM S-1094
0102440022	ATCR 36 X 26 X 6,00 CM S-1094
0102440052	ATCR 36 X 26 X 6,00 DM S-1094
0102440289	ATCR 36 X 26 X 6,00 DM S-1094
0102440397	ATCR 36 X 26 X 6,00 DM S/RODA/DISCO
0102440194	ATCR 36 X 26 X 6,00 DM UR S-1094
0102440023	ATCR 36 X 28 X 6,00 CM S-1094
0102440272	ATCR 36 X 28 X 6,00 CM S-1094
0102440281	ATCR 36 X 28 X 6,00 DM S-1094
0102440053	ATCR 36 X 28 X 6,00 DM S-1094
0102440024	ATCR 36 X 28 X 7,50 CM S-1094

ATTENTION: IMPORTANT

Marchesan S.A. reserves the right to improve and/or modify the technical features of its products, without obligation to do the same with those products already sold and without prior knowledge of the dealer or the consumer. The photos are only illustrative.



PRODUCTS

0102440273	ATCR 36 X 28 X 7,50 CM	S-1094
0102440282	ATCR 36 X 28 X 7,50 DM	S-1094
0102440054	ATCR 36 X 28 X 7,50 DM	S-1094
0102440244	ATCR 36 X 28 X 7,50 DM C/P DR AUST	
0102440192	ATCR 40 X 24 X 6,00 DM	S-1094
0102440274	ATCR 40 X 26 X 6,00 CM	S-1094
0102440025	ATCR 40 X 26 X 6,00 CM	S-1094
0102440055	ATCR 40 X 26 X 6,00 DM	S-1094
0102440290	ATCR 40 X 26 X 6,00 DM	S-1094
0102440195	ATCR 40 X 26 X 6,00 DM UR	S-1094
0102440275	ATCR 40 X 28 X 6,00 CM	S-1094
0102440026	ATCR 40 X 28 X 6,00 CM	S-1094
0102440056	ATCR 40 X 28 X 6,00 DM	S-1094
0102440283	ATCR 40 X 28 X 6,00 DM	S-1094
0102440276	ATCR 40 X 28 X 7,50 CM	S-1094
0102440027	ATCR 40 X 28 X 7,50 CM	S-1094
0102440057	ATCR 40 X 28 X 7,50 DM	S-1094
0102440284	ATCR 40 X 28 X 7,50 DM	S-1094
0102440462	ATCR 44 X 26 X 6 DM PN400/60	S-1094
0102440277	ATCR 44 X 26 X 6,00 CM	S-1094
0102440028	ATCR 44 X 26 X 6,00 CM	S-1094
0102440058	ATCR 44 X 26 X 6,00 DM	S-1094
0102440291	ATCR 44 X 26 X 6,00 DM	S-1094
0102440196	ATCR 44 X 26 X 6,00 DM UR	S-1094
0102440278	ATCR 44 X 28 X 6,00 CM	S-1094
0102440029	ATCR 44 X 28 X 6,00 CM	S-1094
0102440059	ATCR 44 X 28 X 6,00 DM	S-1094
0102440285	ATCR 44 X 28 X 6,00 DM	S-1094
0102440279	ATCR 44 X 28 X 7,50 CM	S-1094
0102440030	ATCR 44 X 28 X 7,50 CM	S-1094
0102440060	ATCR 44 X 28 X 7,50 DM	S-1094

ATTENTION: IMPORTANT

Marchesan S.A. reserves the right to improve and/or modify the technical features of its products, without obligation to do the same with those products already sold and without prior knowledge of the dealer or the consumer. The photos are only illustrative.



PRODUCTS

0102440286

ATCR 44 X 28 X 7,50 DM S-1094

ATTENTION: IMPORTANT

Marchesan S.A. reserves the right to improve and/or modify the technical features of its products, without obligation to do the same with those products already sold and without prior knowledge of the dealer or the consumer. The photos are only illustrative.

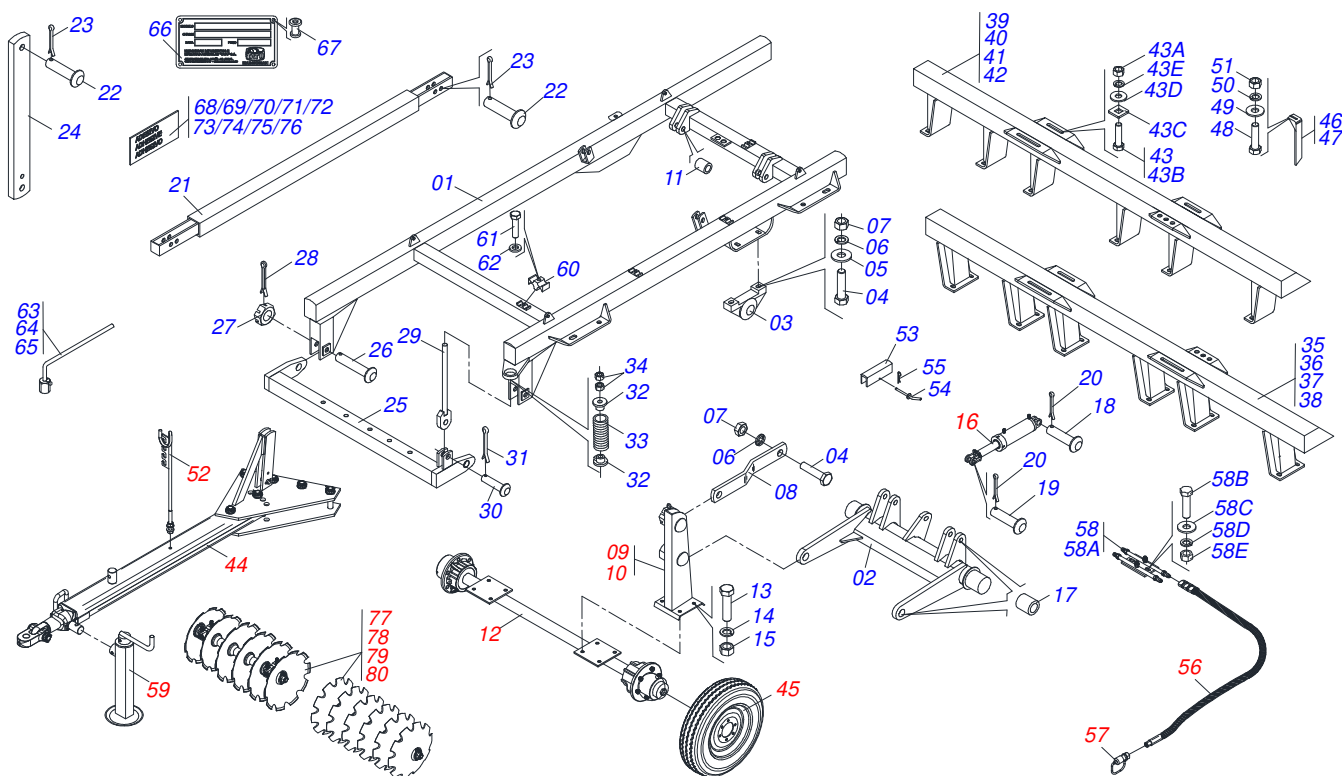


MARCHESAN

INDEX

0909092571	ASSY FRAME	1
0501054147	RIGHT SUSPENSION TOWER	2
0501054148	LEFT SUSPENSION TOWER	3
0501051885	CARRYING-WHEELS	4
0501047809	3" X 85"STUB SHAFT & HUB ASSY	5
0511059181	HYDRAULIC CYLINDER 50,80 X 101,60 X 515 X 248	6
0501044309	2.0" X 5" X 20" X 10" HYDRAULIC CYLINDER	7
0511041570	DRAWBAR ASSY 3"	8
0501046307	DRAWBAR ASSY	9
0501040257	3/4 X 1200 HOSE HOLDER A	10
0501051043	HOSE ASSY	11
0501053834	MALE QUICK COUPLER WITH CAP - 1/2 NPT	12
0511048088	DRAWBAR JACK	13
0909090120	GANG DISC 32	14
0909090121	GANG DISC 36	14
0909090122	GANG DISC 40	15
0909090123	GANG DISC 44	16
0501043197	8.86" X 1-5/8" OIL BATH BEARING	17
0501042963	9" X 1-5/8" OIL BATH BEARING	18

ASSY FRAME



Item	Code	Description	See page	032	036	040	044
01	0501067290	CENTER FRAME		001	001	001	001
02	0501067244	WHEELS		001	001	001	001
03	0502010972	ARTICULACION BEARING		002	002	002	002
04	0503011432	BOLT		004	004	004	004
05	0501010065	1" SPRING WASHER		004	004	004	004
06	0503010012	1" SPRING WASHER		004	004	004	004
07	0501010059	1.5/8 NUT		004	004	004	004
08	0501110404	SUPPORT BAR		002	002	002	002
09	0501054147	RIGHT SUSPENSION TOWER	2	001	001	001	001
10	0501054148	LEFT SUSPENSION TOWER	3	001	001	001	001
11	0511019921	1.3" X 0.1" X 1" SLEEVE		002	000	000	000
12	0501051885	CARRYING-WHEELS	4	001	001	000	000
12.	0501047809	3" X 85"STUB SHAFT & HUB ASSY	5	000	000	001	001
13	0501810125	SCREW 3/4 UNC X 2.1/2 C S G.5		008	008	008	008
13.	0501810098	3/4" X 2" BOLT		008	008	008	008
14	0503011442	3/4" SPRING WASHER		008	008	008	008
15	0503010014	3/4" NUT		008	008	008	008
16	0511059181	HYDRAULIC CYLINDER 50,80 X 101,60 X 515 X 248	6	002	002	000	000
16.	0501044309	2.0" X 5" X 20" X 10" HYDRAULIC CYLINDER	7	000	000	002	002
17	0521010737	2" X 1.5" X 1.4" SLEEVE		002	002	002	002
18	0521010546	1.2" X 5.7" COUPLING SHAFT		002	002	002	002
19	0521010547	1.2" X 6.5" COUPLING SHAFT		002	002	002	002
20	0503010523	1/4" X 2" COTTERPIN		004	004	004	004
21	0501067243	STABILIZER BAR		001	001	001	001
22	0521810575	COUPLING SHAFT		002	002	002	002
23	0503010571	1/4" X 1.1/2 COTTERPIN		002	002	002	002
24	0511013526	STABILIZER BAR TOWER		001	001	001	001
25	0501067241	OFFSET BAR		001	001	001	001
26	0521817538	COUPLING SHAFT		002	002	002	002
27	0501011301	1.1/2 UNC 6FPP 2.5/16 NUT		002	002	002	002
28	0503010010	1/4" X 2.1/2" COTTERPIN		002	002	002	002



ASSY FRAME

0909092571

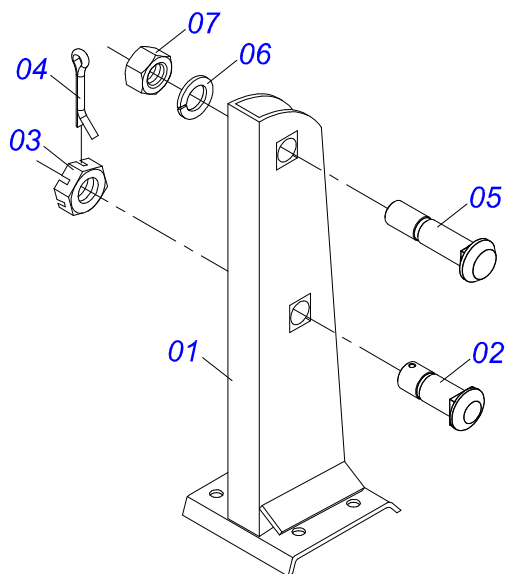
Item	Code	Description	See page	032	036	040	044
29	0501064699	SPRING ROD		001	001	001	001
30	0521010592	1.1" X 3.1" COUPLING SHAFT		001	001	001	001
31	0503010571	1/4" X 1.1/2 COTTERPIN		001	001	001	001
32	0502020394	SPRING SUPPORT		001	001	001	001
33	0503030441	12.7" X 5.7" X 0.5"SPRING		001	001	001	001
34	0501810087	NUT - 1.1/4 UNC 7FPP (SEXT.2) SA		002	002	002	002
35	0501064439	FRONT FRAME		001	000	000	000
36	0501064448	FRONT FRAME		000	001	000	000
37	0501063981	FRONT FRAME		000	000	001	000
38	0501064756	FRONT FRAME 44		000	000	000	001
39	0501064438	REAR FRAME		001	000	000	000
40	0501064449	REAR FRAME		000	001	000	000
41	0501063980	REAR FRAME		000	000	001	000
42	0501064757	REAR FRAME 44		000	000	000	001
43	0501040877	C1" X 3-1/4" ASSY BOLT		008	008	008	008
43A	0501010059	1.5/8 NUT		008	008	008	008
43B	0501010171	BOLT 1 UNC X 3.1/2 C S G.5		008	008	008	008
43C	0502012861	1" SQUARE WASHER		008	008	008	008
43D	0501010065	1" SPRING WASHER		008	008	008	008
43E	0503010012	1" SPRING WASHER		008	008	008	008
44	0511041570	DRAWBAR ASSY 3"	8	001	001	000	000
44.	0501046307	DRAWBAR ASSY	9	000	000	001	001
45	0503060102	WHEEL AND TIRE		002	002	002	002
46	0501064168	REAR SCRAPER		009	011	013	013
47	0501064167	REAR SCRAPER		009	011	013	013
48	0503010740	BOLT 1/2 UNC X 2 CS G.5 ZN		036	044	052	060
49	0511017302	FLAT WASHER		072	088	104	104
50	0503010019	1/2" SPRING WASHER		036	044	052	052
51	0503010060	1/2" NUT		036	044	052	052
52	0501040257	3/4 X 1200 HOSE HOLDER A	10	001	001	001	001
53	0501066386	TRANSPORT LOCK 9.54"		002	002	002	002
54	0501068994	0.3" X 3.1"LOCK PIN		001	001	001	001
55	0503030168	HAIR PIN		002	002	002	002
56	0501051043	HOSE ASSY	11	001	001	001	001
57	0501053834	MALE QUICK COUPLER WITH CAP - 1/2 NPT	12	002	002	002	002
58	0501051611	CONNECTION ASSY		001	001	001	001
58A	0501068706	DOUBLE CONNECTION		001	001	001	001
58B	0503010237	3/8" X 1" BOLT		002	002	002	002
58C	0501010984	FLAT WASHER		002	002	002	002
58D	0503010025	3/8" SPRING WASHER		002	002	002	002
58E	0503010026	3/8" NUT		002	002	002	002
59	0511048088	DRAWBAR JACK	13	001	001	001	001
60	0502012702	BODY SUPPORT CLAMP		004	004	005	005
60.	0502010477	HOSE CLAMP		001	000	001	000
61	0503012555	SCREW 7/16 UNC X 2 CS RT G.7 ZN		001	001	001	001
62	0503010180	7/16" SPRING WASHER		004	005	005	005
63	0501061617	1" GANG BOLT WRENCH		001	001	001	001
64	0503016140	3/4" WRENCH CABLE CYLINDRICAL		002	002	002	002
65	0501011431	1-3/4" GANG BOLT WRENCH		001	001	001	001
66	0503034003	SERIAL NUMBER TAG 61 X 118		001	001	001	001
67	0503010001	3.2 X 5.5 RIVET		004	004	004	004
68	0503060786	SET LABEL ADHESIVE		001	001	001	001
69	0503031428	READ MANUAL DECAL		001	001	001	001
70	0503031087	ADHESIVE LABEL		001	001	001	001
71	0503031827	LUBRICATE AND RETIGHTEN DAILY DECAL		001	001	001	001
72	0503034078	LIFTING POINTS DECAL		004	004	004	004
73	0503031738	ADHESIVE LABEL		002	002	002	002
74	0503033038	DANGER SIGN		001	001	001	001
75	0503034499	HOSE IDENTIFICATION DECAL		001	001	001	001



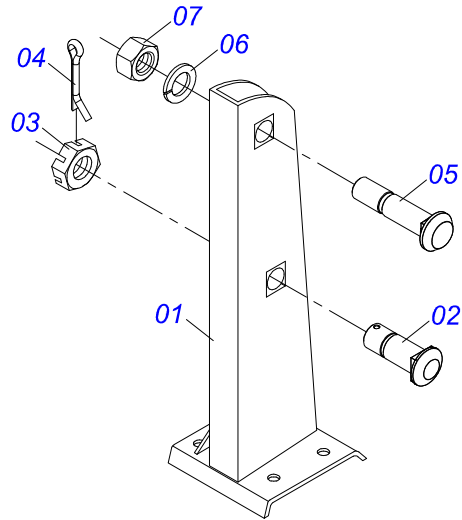
ASSY FRAME

0909092571

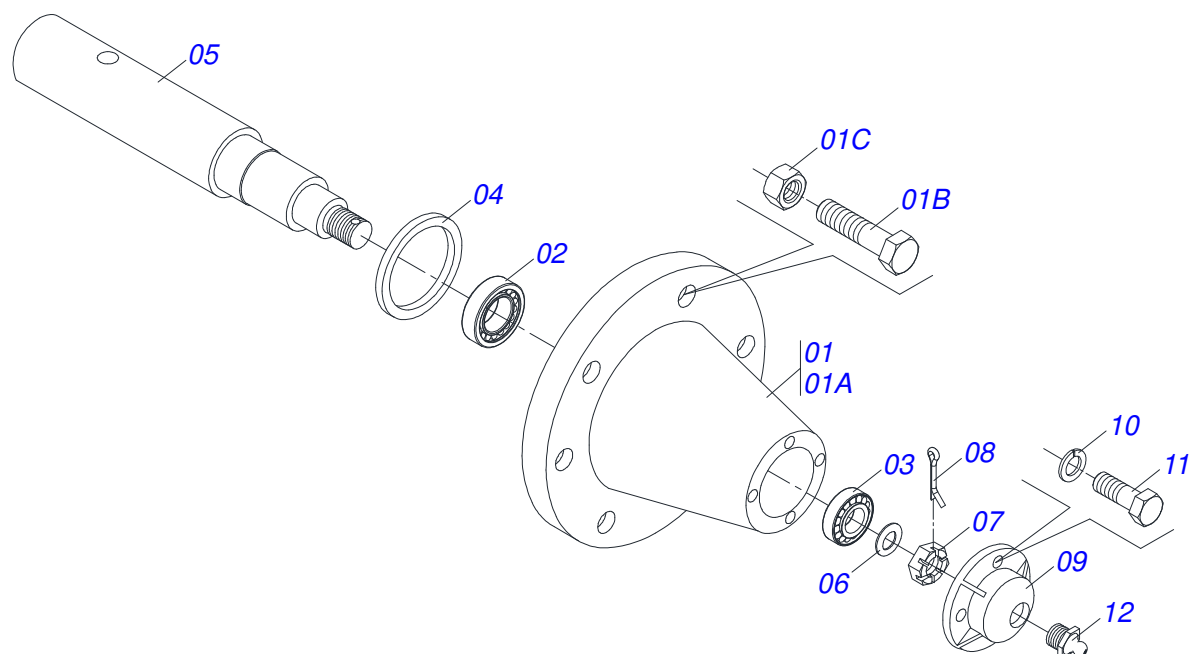
Item	Code	Description	See page	032	036	040	044
76	0503031739	ADHESIVE LABEL		001	001	001	001
77	0909090120	GANG DISC 32	14	001	000	000	000
78	0909090121	GANG DISC 36	14	000	001	000	000
79	0909090122	GANG DISC 40	15	000	000	001	000
80	0909090123	GANG DISC 44	16	000	000	000	001



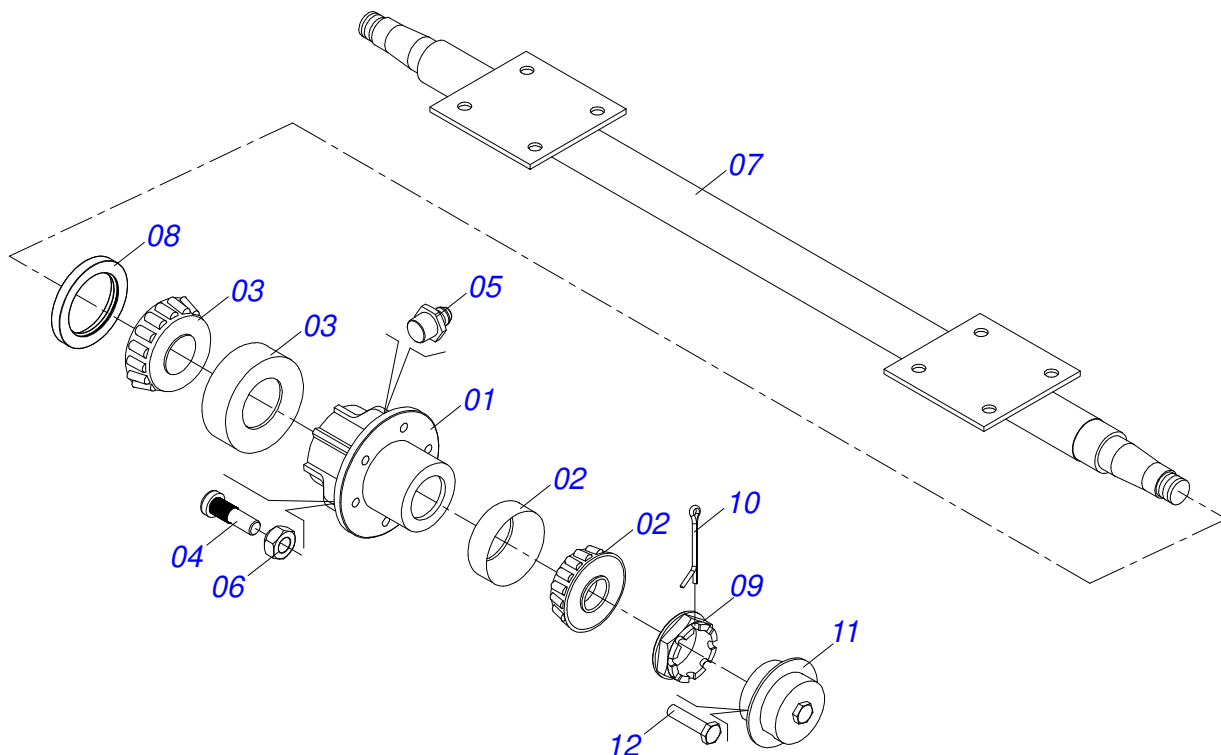
Item	Code	Description	See page	QT
01	0501068260	RIGHT SUSPENSION TOWER		01
02	0511018006	1-1/2 X 4.13" U BOLT OF SUSP TOWER		01
03	0501011301	1.1/2 UNC 6FPP 2.5/16 NUT		01
04	0503010010	1/4" X 2.1/2" COTTERPIN		01
05	0511017974	1 U BOLT OF THE SUSPENSION TOWER		01
06	0503010012	1" SPRING WASHER		01
07	0501010059	1.5/8 NUT		01



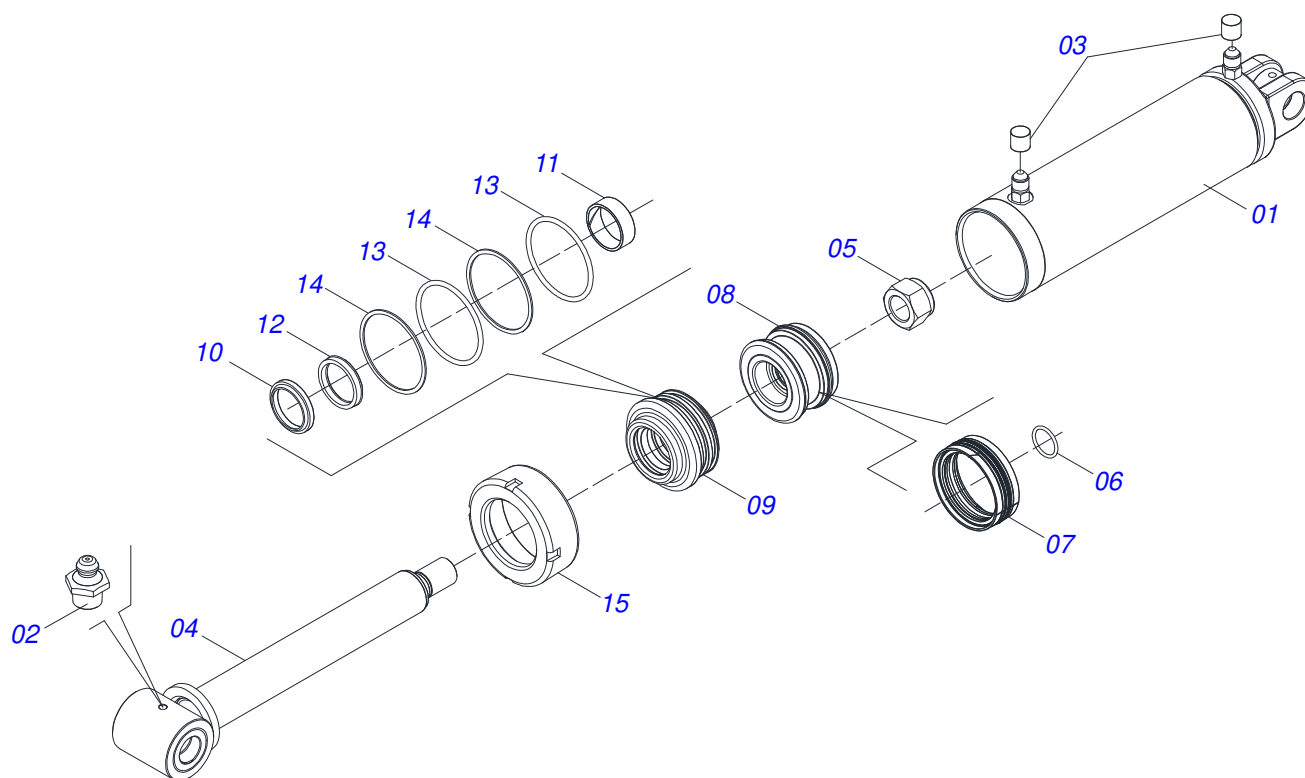
Item	Code	Description	See page	QT
01	0501068261	LEFT SUSPENSION TOWER		01
02	0511018006	1-1/2 X 4.13" U BOLT OF SUSP TOWER		01
03	0501011301	1.1/2 UNC 6FPP 2.5/16 NUT		01
04	0503010010	1/4" X 2.1/2" COTTERPIN		01
05	0511017974	1 U BOLT OF THE SUSPENSION TOWER		01
06	0503010012	1" SPRING WASHER		01
07	0501010059	1.5/8 NUT		01



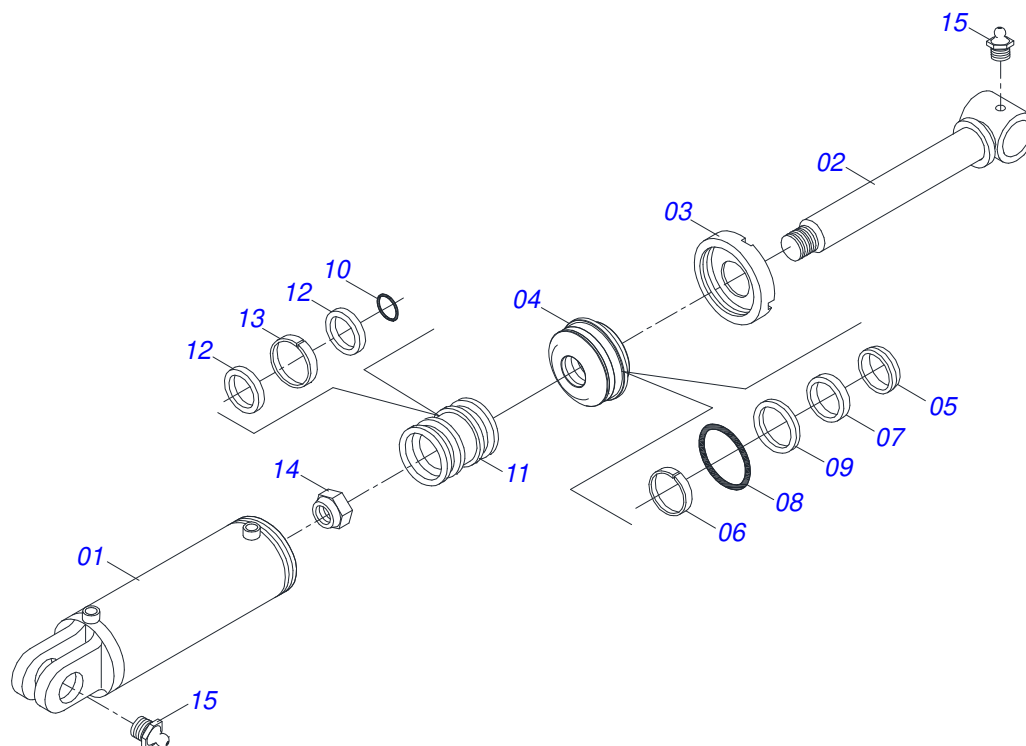
Item	Code	Description	See page	QT
01	0501110738	CARRYING WHEEL HUB		01
01A	0502012260	TRANSPORT WHEEL BOX		01
01B	0503010064	5/8 UNF CONIC NUT		08
01C	0501010186	WHEEL SCREW 5/8UNF X 2.1/8CR		08
02	0503011156	ROLAMENTO 2780/2720 IMP		01
03	0503010008	3780/3720 ROLLER BEARING		01
04	0503013314	RETAINER 5166-GB 63,5 X 110 X 13 ARCA		01
05	0511012494	SPINDLE		01
06	0511012492	FLAT WASHER		01
07	0503030009	1" CASTLE NUT		01
08	0503010018	5/32 X 1-1/2 COTTERPIN		01
09	0502020591	PROTECCION COVER		01
10	0503011444	SPRING WASHER		04
11	0503010358	5/16" X 5/8" BOLT		04
12	0503010002	1800 GREASE FITTING		01



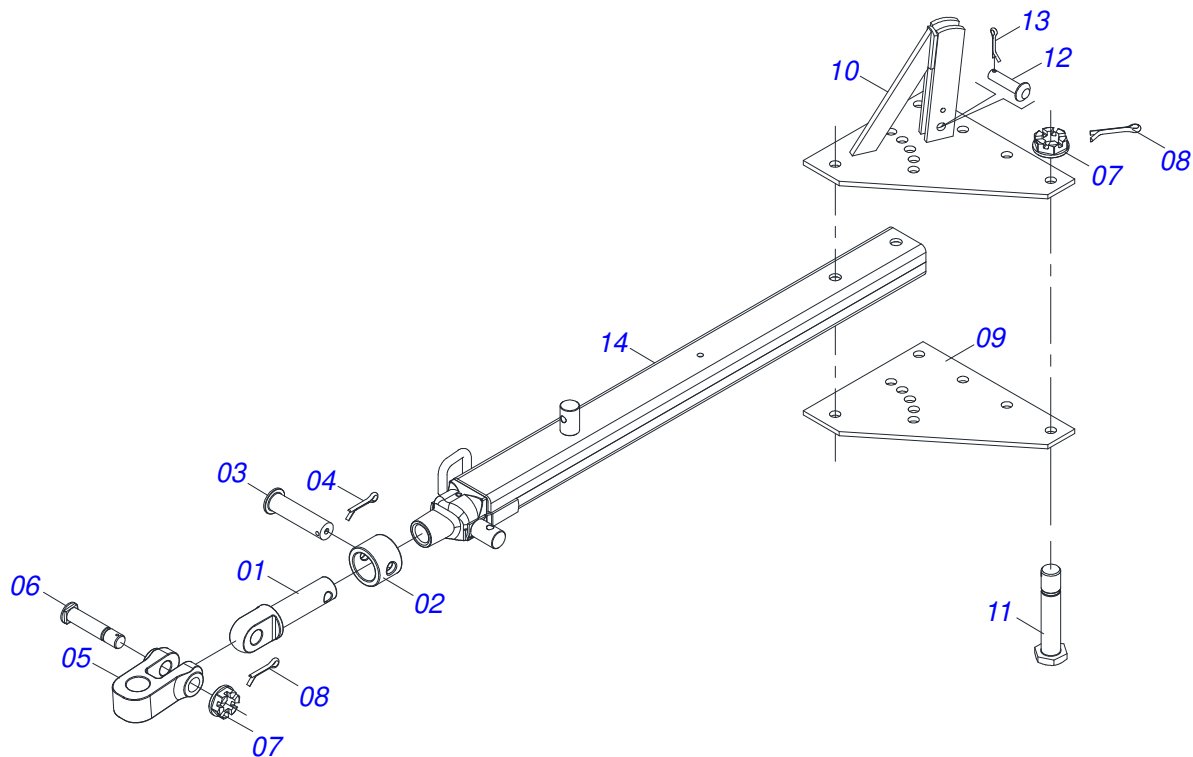
Item	Code	Description	See page	QT
01	0502011389	BOX		02
02	0503010006	32210 ROLLER BEARING		02
03	0503010005	32212 ROLLER BEARING		02
04	0501010186	WHEEL SCREW 5/8UNF X 2.1/8CR		12
05	0503010002	1800 GREASE FITTING		02
06	0503010064	5/8 UNF CONIC NUT		12
07	0501067004	3" X 85" AXLE		01
08	0503011866	SEAL 00573-B WITH HOLE		02
09	0501010888	1.3/4" 2.5/16" CASTLE NUT		02
10	0503010010	1/4" X 2.1/2" COTTERPIN		02
11	0502020593	COVER		02
12	0503010295	SCREW 5/16 UNC X 5/8 CS G.2 ZN		02



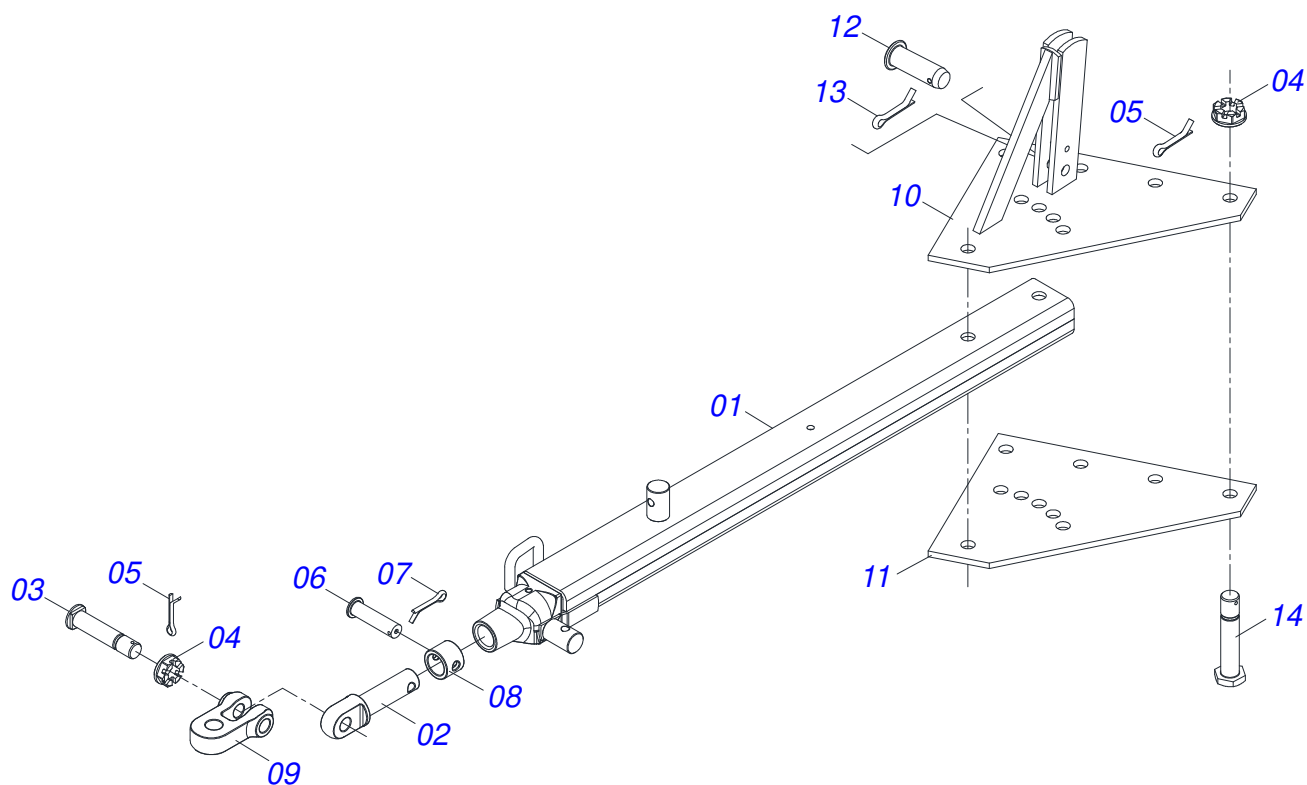
Item	Code	Description	See page	QT
01	0501067256	4" X 16" CYLINDER CASE		01
02	0503010002	1800 GREASE FITTING		02
03	0503030385	CYLINDER PLUG N-002		02
04	0521066345	50,80 X 452 TURNBUCLE		01
05	0503010817	1.1/4" SELF LOCKING NUT		01
06	0503010345	2-218 N 3006-9B O'RING		01
07	0503015633	SELEMASTER SEALING		01
08	0502012842	50,80 X 101,60 PISTON		01
09	0581010678	50,80 X 101 RING SUPPORT		01
10	0503015636	SCRAPER SEAL		01
11	0503018025	RING GUIDE		01
12	0503018026	1870-2000-375 B GASKET		01
13	0503010338	2-342 N 3006-9B O'RING		02
14	0503011061	8-342 BACK-UP RING		02
15	0502012822	101.60 END CAP		01



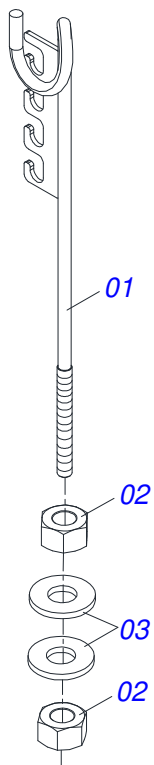
Item	Code	Description	See page	QT
01	0501069075	BODY 127 X 424		01
02	0501068963	HYDRAULIC CYLINDER TURNBUCKLE		01
03	0502010382	5" END CAP		01
04	0502012227	50.80 X 127 RING SUPPORT		01
05	0503010039	D-2000 SCRAPER RING		01
06	0503010952	W2-2250-500 RING		01
07	0503010991	1870-2000-375-B GASKET		01
08	0503010351	2-425 N 3006-9B O'RING		01
09	0503011062	8-425 BACK-UP RING		01
10	0503010345	2-218 N 3006-9B O'RING		01
11	0502010963	2.0" X 5.0" PISTON		01
12	0503010552	PACKING 3750-4250-625-B		02
13	0503010974	W2-5000-500 RING		01
14	0503010817	1.1/4" SELF LOCKING NUT		01
15	0503010002	1800 GREASE FITTING		02
16	0501031961	HYDRAULIC CYLINDER REPAIR KIT		01



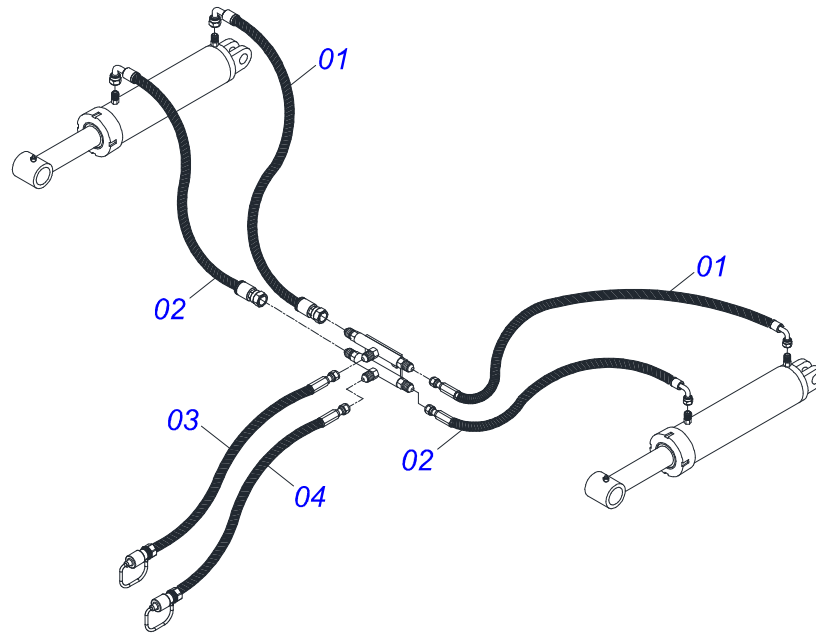
Item	Code	Description	See page	QT
01	0502040223	DRAWBOLT		01
02	0502040327	ANEL TRAVA ENGATE		01
03	0511014902	COUPLING SHAFT		01
04	0503010571	1/4" X 1.1/2 COTTERPIN		01
05	1902040733	U COUPLING HOOK		01
06	0521012545	COUPLING SHAFT		01
07	0501011301	1.1/2 UNC 6FPP 2.5/16 NUT		07
08	0503010010	1/4" X 2.1/2" COTTERPIN		07
09	0511016137	UPPER /LOWER PLATE		01
10	0501067250	UPPER PLATE WITH SUPPORT		01
11	0501016419	1-1/2" X 7.5" BOLT		06
12	0521010779	31.75 X 95 COUPLING SHAFT		01
13	0503010523	1/4" X 2" COTTERPIN		01
14	0501069323	DRAWBAR ASSY		01



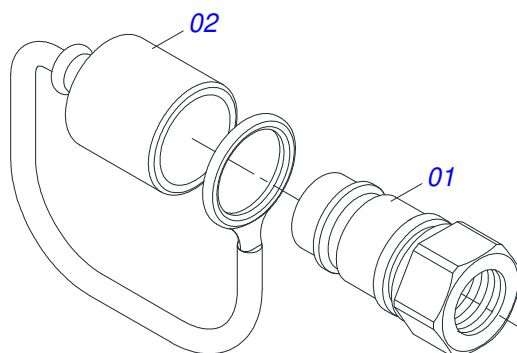
Item	Code	Description	See page	QT
01	0501069323	DRAWBAR ASSY		01
02	1902040223	PIN HITCH		01
03	0521012545	COUPLING SHAFT		01
04	0501011301	1.1/2 UNC 6FPP 2.5/16 NUT		07
05	0503010010	1/4" X 2.1/2" COTTERPIN		07
06	0511014902	COUPLING SHAFT		01
07	0503010571	1/4" X 1.1/2 COTTERPIN		01
08	1902040327	LOCK SLEEVE		01
09	1902040732	COUPLING		01
10	0501067250	UPPER PLATE WITH SUPPORT		01
11	0511016137	UPPER /LOWER PLATE		01
12	0521010779	31.75 X 95 COUPLING SHAFT		01
13	0503010523	1/4" X 2" COTTERPIN		01
14	0501016419	1-1/2" X 7.5" BOLT		06



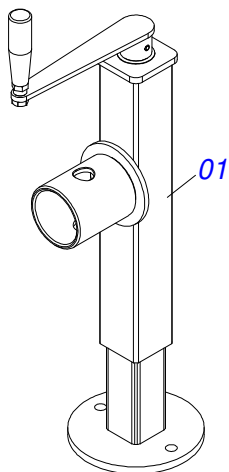
Item	Code	Description	See page	QT
01	0511067334	HOSE SOPPORT ASSY		01
02	0503010014	3/4" NUT		02
03	0501010322	FLAT WASHER		02



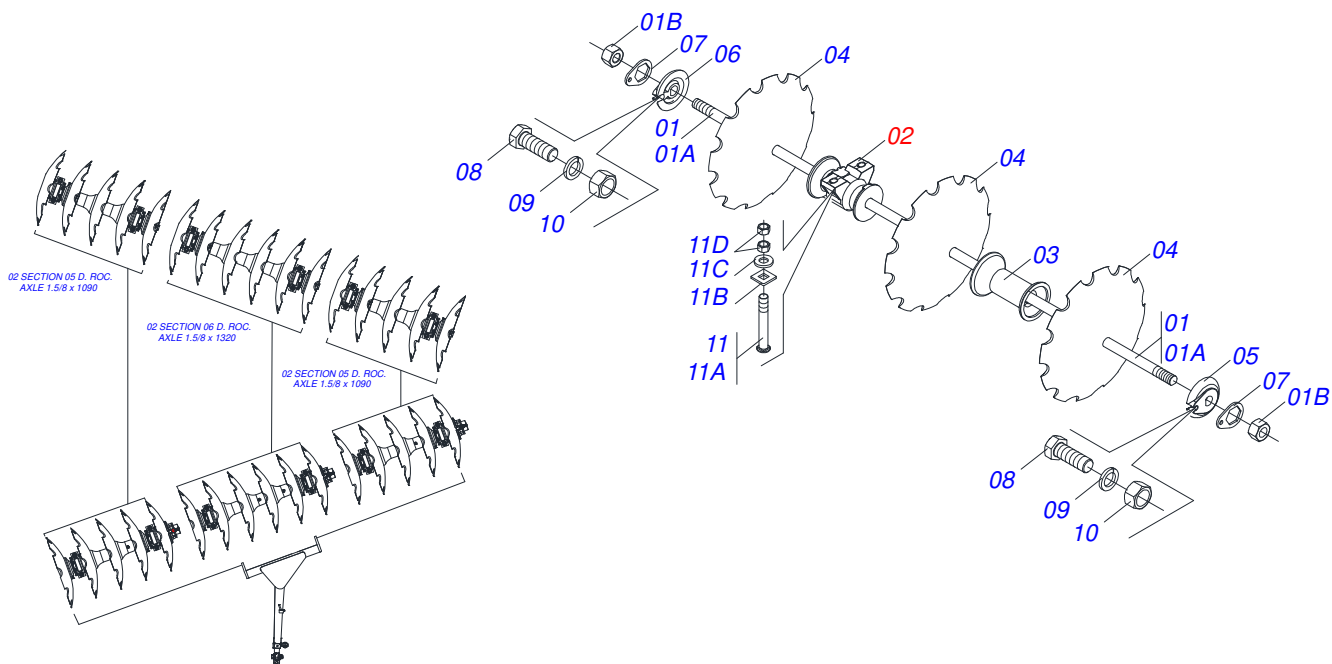
Item	Code	Description	See page	QT
01	0501080054	3/8" X 17" TR-TC HOSE ASSY		02
02	0501080413	3/8" X 27" TR-TC HOSE		02
03	0501080458	3/8" X 315" TC-TM HOSE ASSY		01
04	0501080459	3/8" X 322" TC-TM HOSE ASSY		01



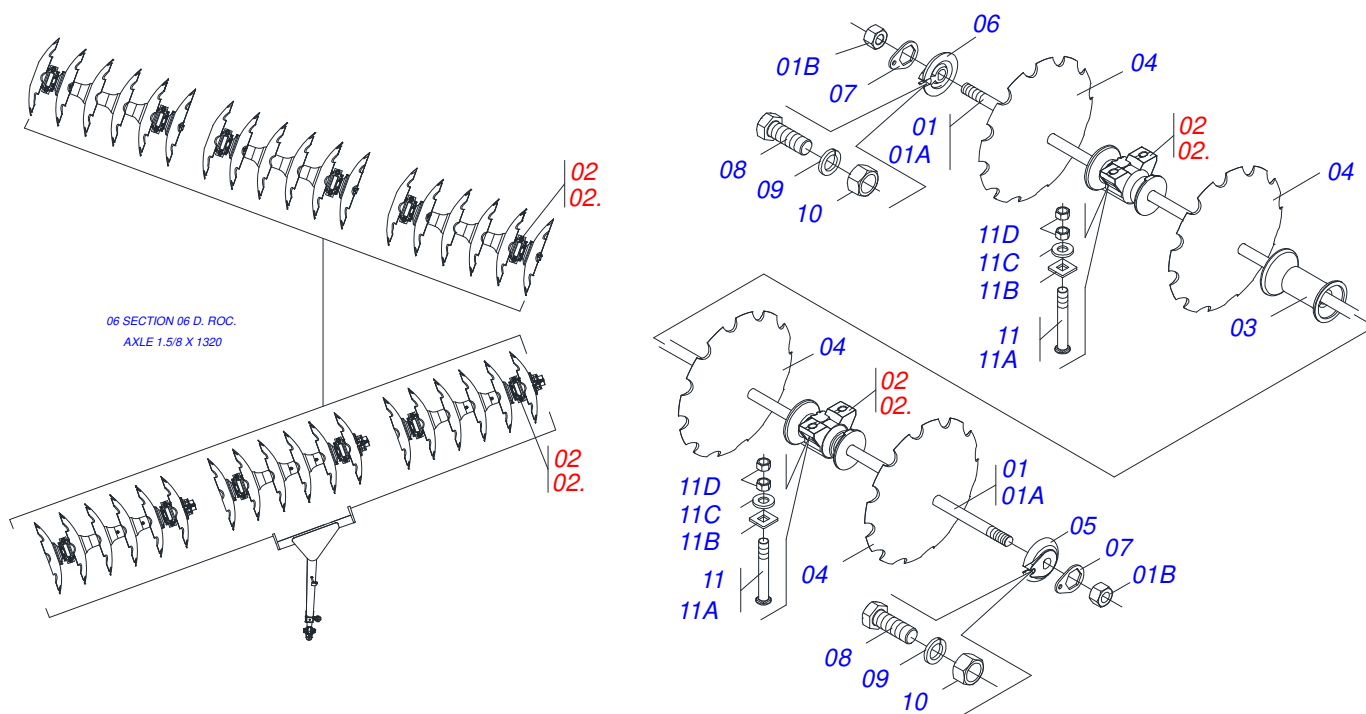
Item	Code	Description	See page	QT
01	0503011627	MALE QUICK COUPLER AGR 1/2 NPT		01
02	0503011882	MALE QUICK COUPLER CAP		01



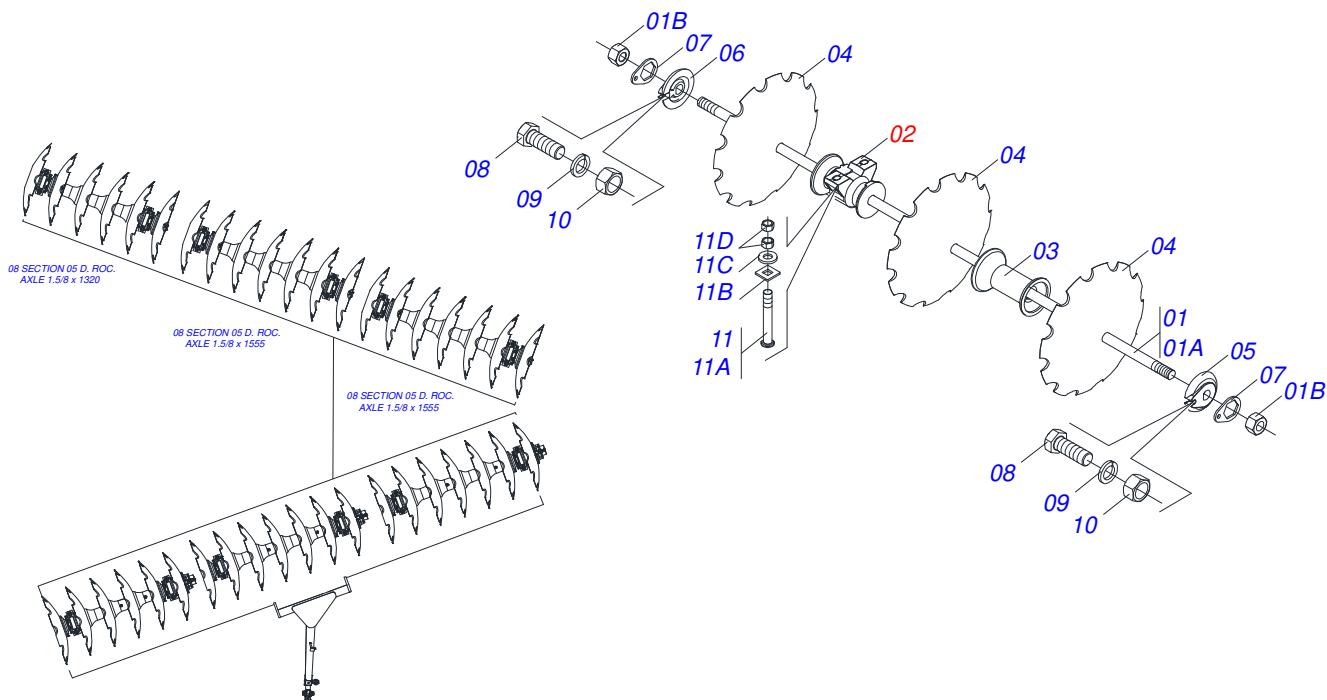
Item	Code	Description	See page	QT
01	0503062227	DRAWBAR JACK		01



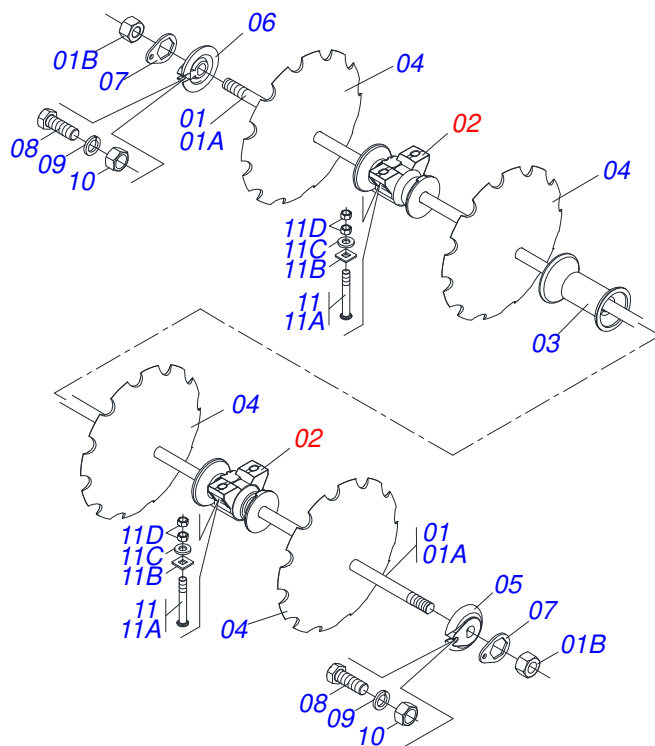
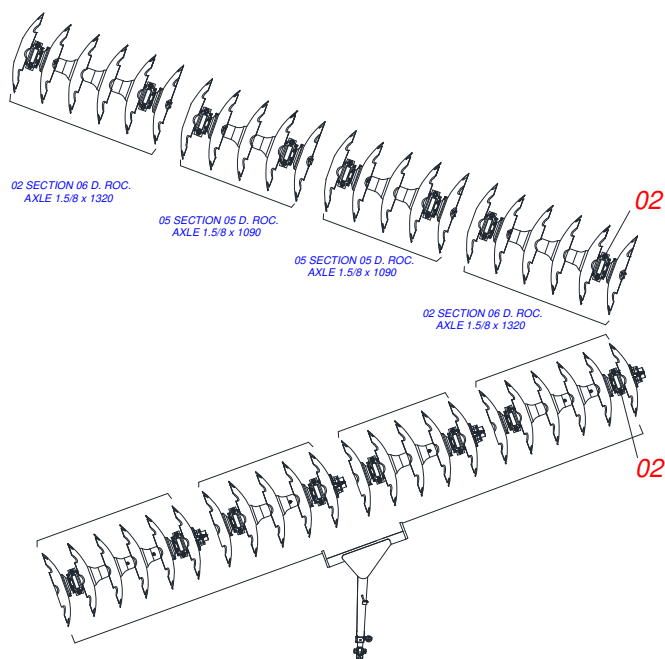
Item	Code	Description	See page	QT
01	0501046853	1-5/8" X 43" AXLE WITH NUTS 2-3/4		04
01.	0501046855	1-5/8" X 52" AXLE WITH NUTS 2-3/4		02
01A	0501015029	1-5/8" X 43" AXLE		04
01A.	0501015237	1-5/8" X 52" AXLE		01
01B	0502040640	1.5/8" 2.3/4" NUT		02
02	0501043197	8.86" X 1-5/8" OIL BATH BEARING	17	12
03	0502010626	8.9" 1-5/8" SPACER		14
04	0602037186	DR28X7,5 C108AF02FR1.11/16 10R TATU		32
04.	0602033005	26" X 0.2" NOTCHED DISC BLADE		32
05	0502011048	1-5/8" EXTERNAL AXLE WASHER		06
06	0502011047	1-5/8" INNER AXLE WASHER		06
07	0511014339	1-5/8" 2.8" NUT LOCK		12
08	0503010232	5/8" X 1.3/4" BOLT		12
09	0503010027	5/8" SPRING WASHER		12
10	0503010013	5/8" NUT		12
11	0511040034	3/4" X 3-1/4" BOLT ASSY		24
11A	0501017303	3/4" X 3-1/4" BOLT		24
11B	0501010949	3/4" SQUARE WASHER		24
11C	0501010322	FLAT WASHER		24
11D	0503010014	3/4" NUT		48



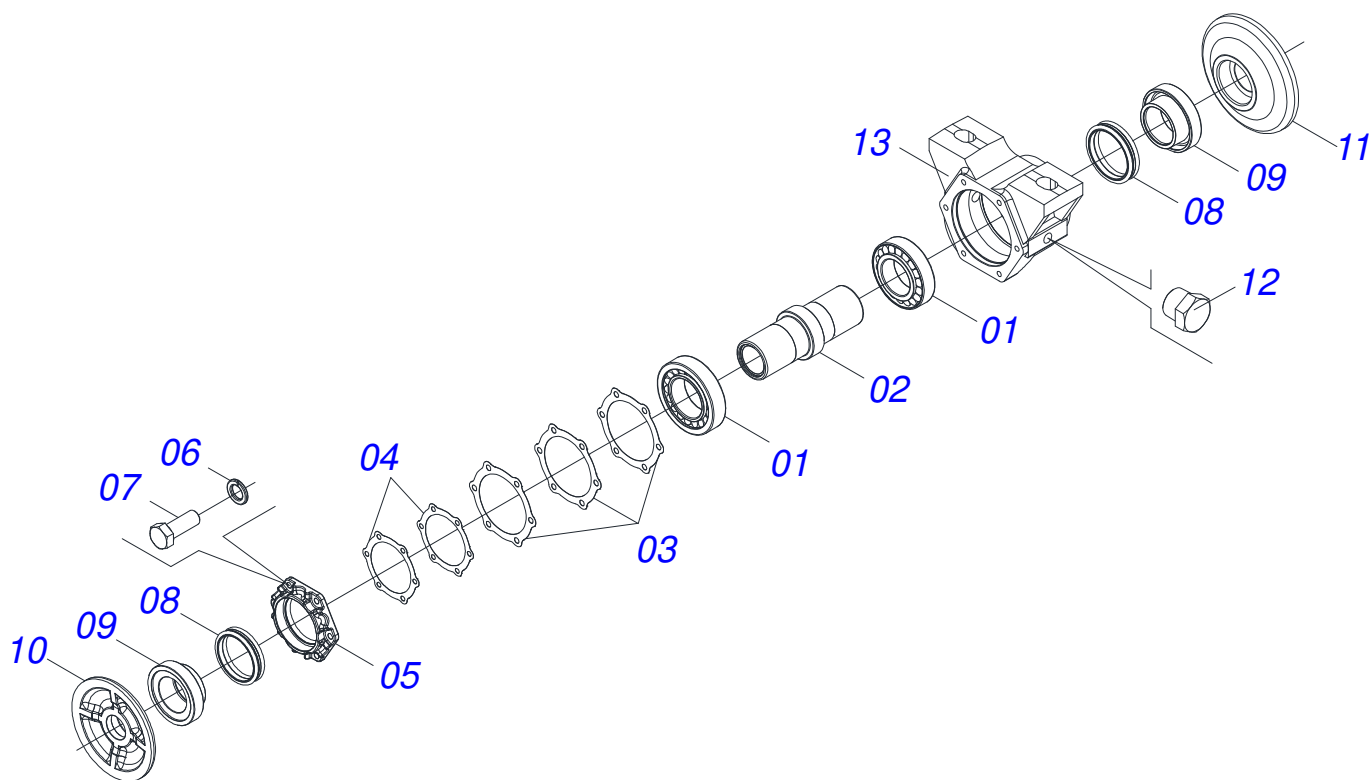
Item	Code	Description	See page	QT
01	0501046855	1-5/8" X 52" AXLE WITH NUTS 2-3/4		06
01A	0501015237	1-5/8" X 52" AXLE		06
01B	0502040640	1.5/8" 2.3/4" NUT		12
02	0501042963	9" X 1-5/8" OIL BATH BEARING	18	12
02.	0501043197	8.86" X 1-5/8" OIL BATH BEARING	17	12
03	0502010626	8.9" 1-5/8" SPACER		18
04	0602033005	26" X 0.2" NOTCHED DISC BLADE		36
05	0502011048	1-5/8" EXTERNAL AXLE WASHER		06
06	0502011047	1-5/8" INNER AXLE WASHER		06
07	0511014339	1-5/8" 2.8" NUT LOCK		12
08	0503010232	5/8" X 1.3/4" BOLT		12
09	0503010027	5/8" SPRING WASHER		12
10	0503010013	5/8" NUT		12
11	0511040034	3/4" X 3-1/4" BOLT ASSY		24
11A	0501017303	3/4" X 3-1/4" BOLT		24
11B	0501010949	3/4" SQUARE WASHER		24
11C	0501010322	FLAT WASHER		24
11D	0503010014	3/4" NUT		48



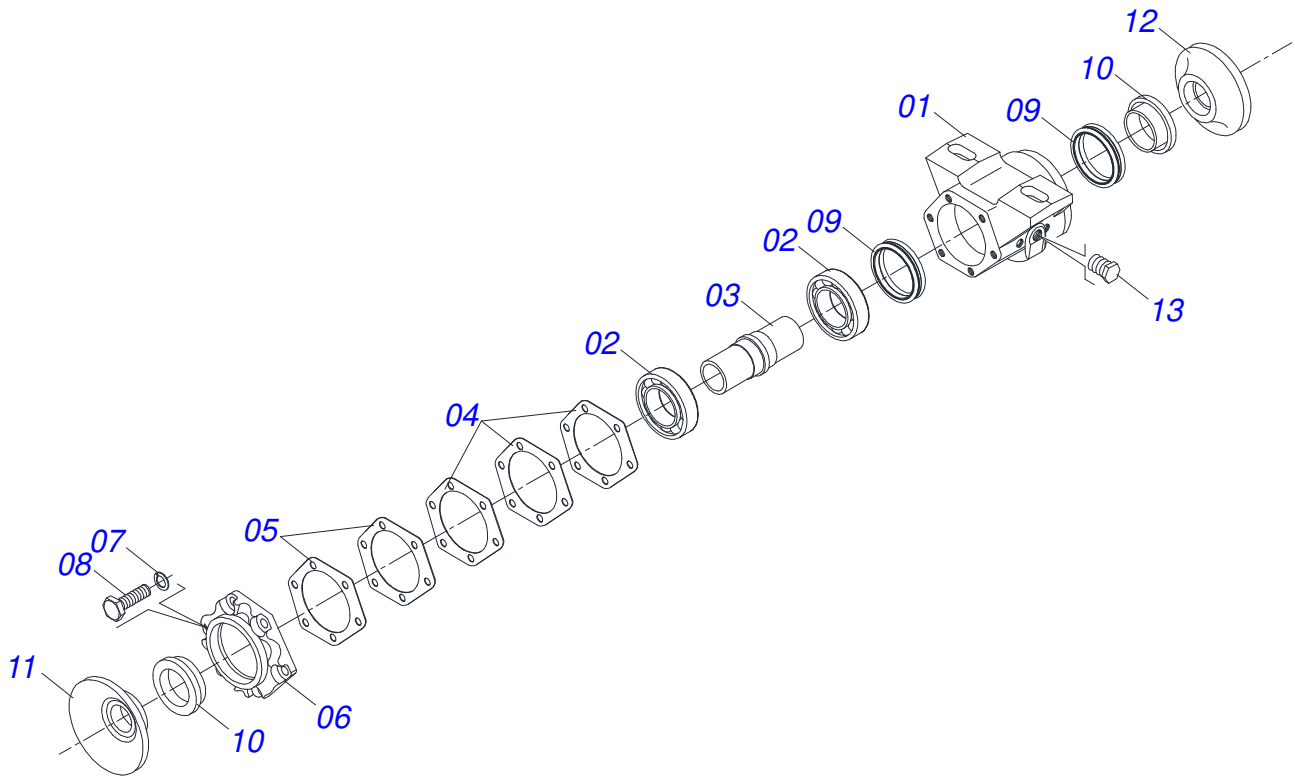
Item	Code	Description	See page	QT
01	0501046855	1-5/8" X 52" AXLE WITH NUTS 2-3/4		02
01.	0501046857	1-5/8" X 61" AXLE WITH NUTS 2-3/4"		04
01A	0501015237	1-5/8" X 52" AXLE		02
01A.	0501015632	1-5/8" X 61" AXLE		04
01B	0502040640	1.5/8" 2.3/4" NUT		16
02	0501043197	8.86" X 1-5/8" OIL BATH BEARING	17	12
03	0502010626	8.9" 1-5/8" SPACER		22
04	0602030005	24" X 0.2" NOTCHED DISC BLADE		40
04.	0602037186	DR28X7,5 C108AF02FR1.11/16 10R TATU		40
05	0502011048	1-5/8" EXTERNAL AXLE WASHER		06
06	0502011047	1-5/8" INNER AXLE WASHER		06
07	0511014339	1-5/8" 2.8" NUT LOCK		12
08	0503010232	5/8" X 1.3/4" BOLT		12
09	0503010027	5/8" SPRING WASHER		12
10	0503010013	5/8" NUT		12
11	0511040034	3/4" X 3-1/4" BOLT ASSY		24
11A	0501017303	3/4" X 3-1/4" BOLT		24
11B	0501010949	3/4" SQUARE WASHER		24
11C	0501010322	FLAT WASHER		24
11D	0503010014	3/4" NUT		48



Item	Code	Description	See page	QT
01	0501046853	1-5/8" X 43" AXLE WITH NUTS 2-3/4		04
01.	0501046855	1-5/8" X 52" AXLE WITH NUTS 2-3/4		04
01A	0501015029	1-5/8" X 43" AXLE		04
01A.	0501015237	1-5/8" X 52" AXLE		04
01C	0502040640	1.5/8" 2.3/4" NUT		16
02	0501043197	8.86" X 1-5/8" OIL BATH BEARING	17	16
03	0502010626	8.9" 1-5/8" SPACER		20
04	0601031076	26"X 0.2" PLAIN DISC BLADE		22
04.	0602030369	24" X 0.2" NOTCHED DISC BLADE		22
05	0502011048	1-5/8" EXTERNAL AXLE WASHER		08
06	0502011047	1-5/8" INNER AXLE WASHER		08
07	0511014339	1-5/8" 2.8" NUT LOCK		16
08	0503010232	5/8" X 1.3/4" BOLT		16
09	0503010027	5/8" SPRING WASHER		16
10	0503010013	5/8" NUT		16
11	0511040034	3/4" X 3-1/4" BOLT ASSY		32
11A	0501017303	3/4" X 3-1/4" BOLT		32
11B	0501010949	3/4" SQUARE WASHER		32
11C	0501010322	FLAT WASHER		32
11D	0503010014	3/4" NUT		64



Item	Code	Description	See page	QT
01	0503010005	32212 ROLLER BEARING		02
02	0502010899	AXLE CM/DM		01
03	0503030030	5.6" X 4.4" X 0.01" GASKET		03
04	0503030685	5.5" X 4.4" X 0.003" GASKET		02
05	0502020161	WEAR PLATE BEARING		01
06	0503011443	3/8" SPRING WASHER		06
07	0503010237	3/8" X 1" BOLT		06
08	0503030027	DUO-CONE SEAL		02
09	0502040287	SEAL RETAINER		02
10	0502040239	OUTER FLANGE		01
11	0502040240	INNER FLANGE		01
12	0503010856	OIL PLUG		02
13	0502020481	HOUSING DM		01



Item	Code	Description	See page	QT
001	0502020446	HOUSING DM		01
002	0503010113	30212 ROLLER BEARING		02
003	0502010639	AXLE FOR CM/DM		01
004	0503031972	137 X 113,2 X 0,3 JOINT		03
005	0503031973	137 X 113,2 X 0,1 JOINT		02
006	0502012445	BEARING COVER BOX (BOX SLIGHTLY)		01
007	0503011443	3/8" SPRING WASHER		06
008	0503010237	3/8" X 1" BOLT		06
009	0503030027	DUO-CONE SEAL		02
010	0502010633	SEAL RETAINER		02
011	0502040239	OUTER FLANGE		01
012	0502040240	INNER FLANGE		01
013	0503010856	OIL PLUG		01



MARCHESAN



ANNOTATION

Lined writing area with horizontal lines.





MARCHESAN

Technical Publications | Elaboration and Revision

ALESSANDRA PATRICIA KAWAHARA CARRILI

www.marchesan.com.br

