

OFFSET DISK HARROW

Code:

0501091158

Product:

GASPM-HD 9017

**Series:**

S-0506

Revision:

00

Date Revision:

MARÇO/2015



PRODUCTS

Code	Description
0102080155	GASPM-HD 9017 12X34X12 DM DR S-0506
0102080156	GASPM-HD 9017 12X36X12 DM DR S-0506
0102080157	GASPM-HD 9017 12X38X12 DM DR S-0506
0102080140	GASPM-HD 9017 16X36X12 DM DR S-0206
0102080150	GASPM-HD 9017 16X40X12 DM DR S-0206

ATTENTION: IMPORTANT

Marchesan S.A. reserves the right to improve and / or modify the technical features of its products, without obligation to do the same with those products already sold and without prior knowledge of the dealer or the consumer.

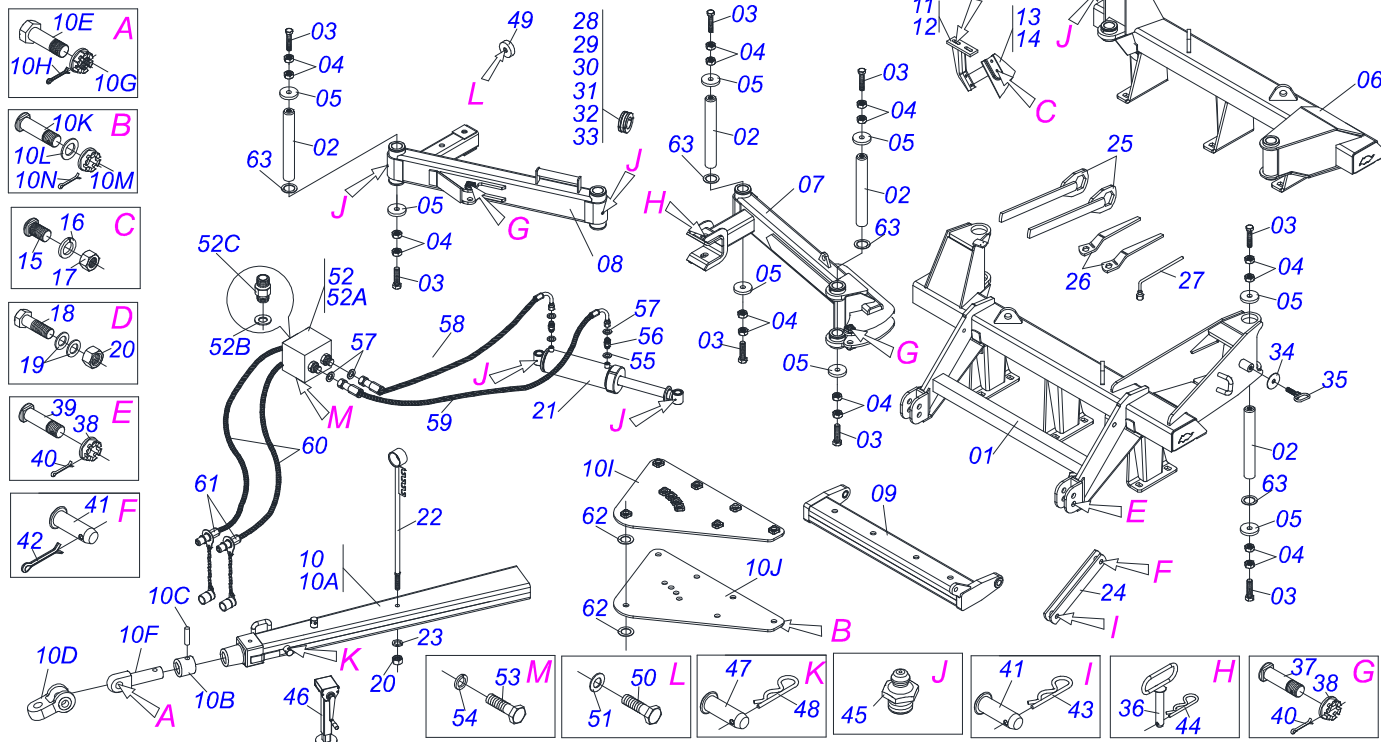


MARCHESAN

INDEX

0909091431	GASPM-HD 9017	1
0511044812	63.5 X 150 X 950 X 55 HYDRAULIC CYLINDER	2
0511043153	DRAWBAR JACK	3
0909091432	GANG DISC	4
0909091433	BEARING GUARD 430 X 2.1/2	5
0909091434	BEARING GUARD 430 X 2.1/2	6
0511043185	63,5 X 150 HYDRAULIC CYLINDER	8
0909091815	HYDRAULIC CIRCUIT	9

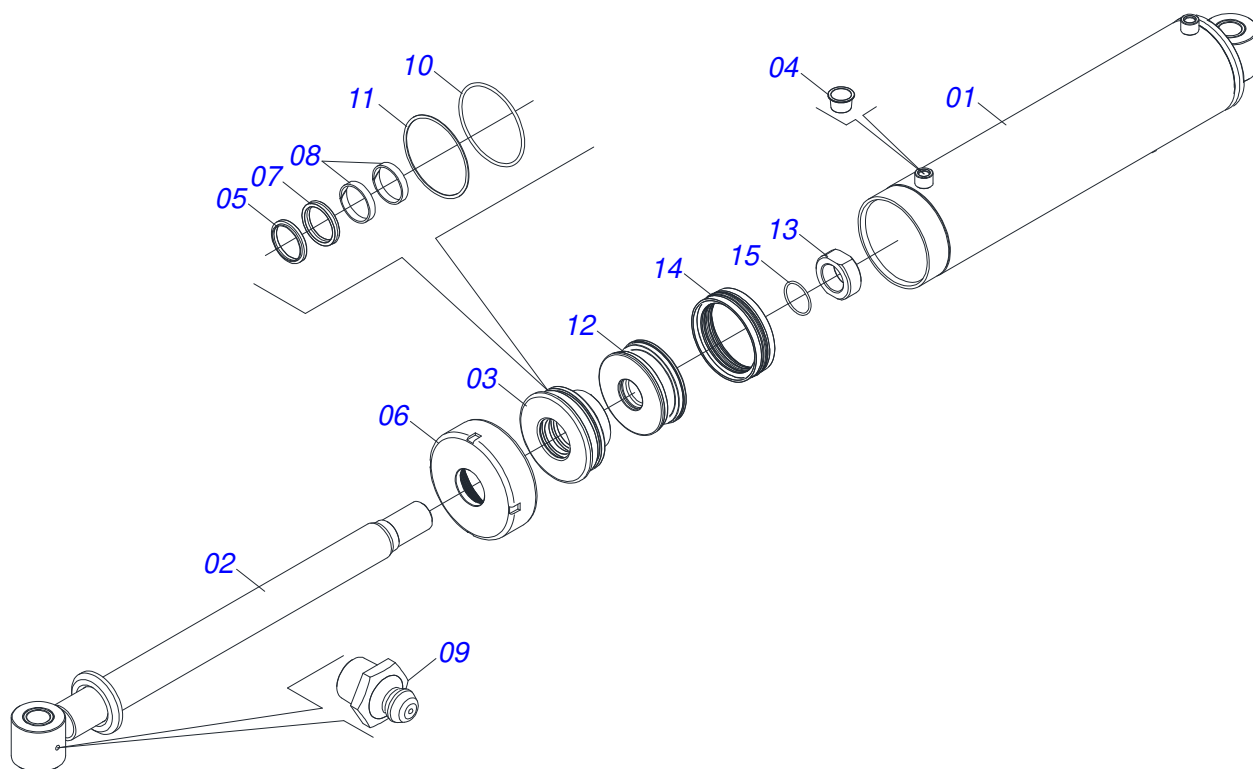
SECÇÃO DE DISCOS/ GANG DISC/ SECCION DISCO (VIDE ÍNDICE)



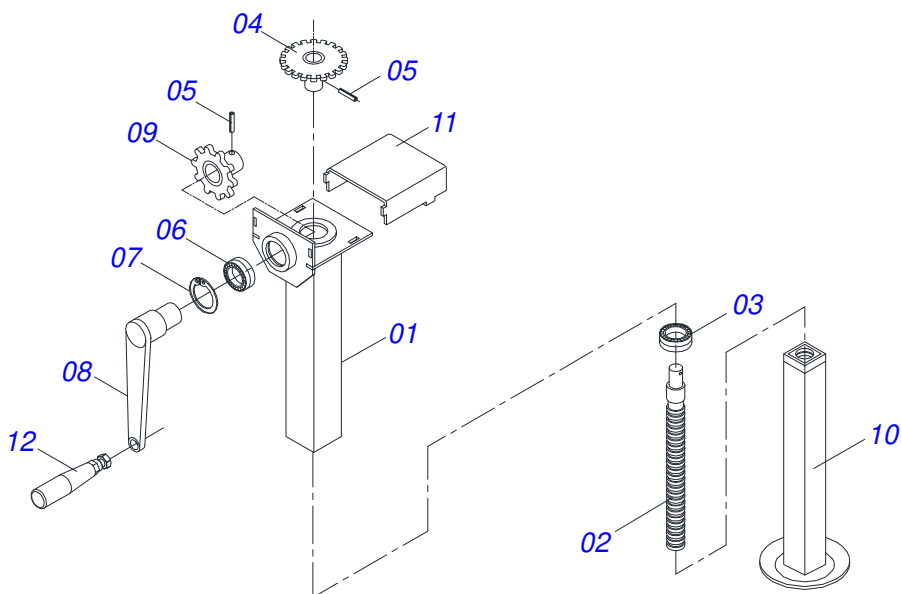
Item	Code	Description	See page	12	16
01	0511067816	FRONT FRAME		01	00
01.	0511067504	FRONT FRAME		00	01
02	0541011899	2.9" X 20" COUPLING SHAFT		04	04
03	0503012660	1" X 4" BOLT		08	08
04	0503013635	1" NUT		16	16
05	0511013244	FLAT WASHER		08	08
06	0511067817	REAR FRAME		01	00
06.	0511067505	REAR FRAME		00	01
07	0511067488	REAR STABILIZER BAR		01	00
07.	0511067192	REAR STABILIZER BAR		00	01
08	0511067487	FRONT STABILIZER BAR		01	00
08.	0511067182	FRONT STABILIZER BAR		00	01
09	0511065973	1705 HITCH BAR		00	01
09.	0521066789	HITCH BAR		01	00
10	0511041592	DRAWBAR ASSY		01	01
10A	0511064669	DRAWBAR ASSY		01	01
10B	0502040263	ANEL TRAVA ENGATE		01	01
10C	0501014219	32M107 PIN		01	01
10D	0502040293	YH-90 CLEVIS		01	01
10E	0511067199	2" BOLT		01	01
10F	0502040264	DRAWBOLT		01	01
10G	0502040558	2" CASTLE NUT		01	01
10H	0503010074	3/8 X 0,15" COTTERPIN		01	01
10I	0511064659	UPPER PLATE		01	01
10J	0511064658	LOWER PLATE		01	01
10K	0521011880	37,5 X 242 COUPLING SHAFT		06	06
10L	0501012916	FLAT WASHER 38,50 X 66 X 4,75 ZN		06	06
10M	0501011301	1.1/2 UNC 6FPP 2.5/16 NUT		10	10
10N	0503010010	1/4" X 2.1/2" COTTERPIN		06	06
11	0511064771	FRONT SCRAPER SUPPORT		06	08
12	0511064772	REAR SCRAPER SUPPORT		06	08



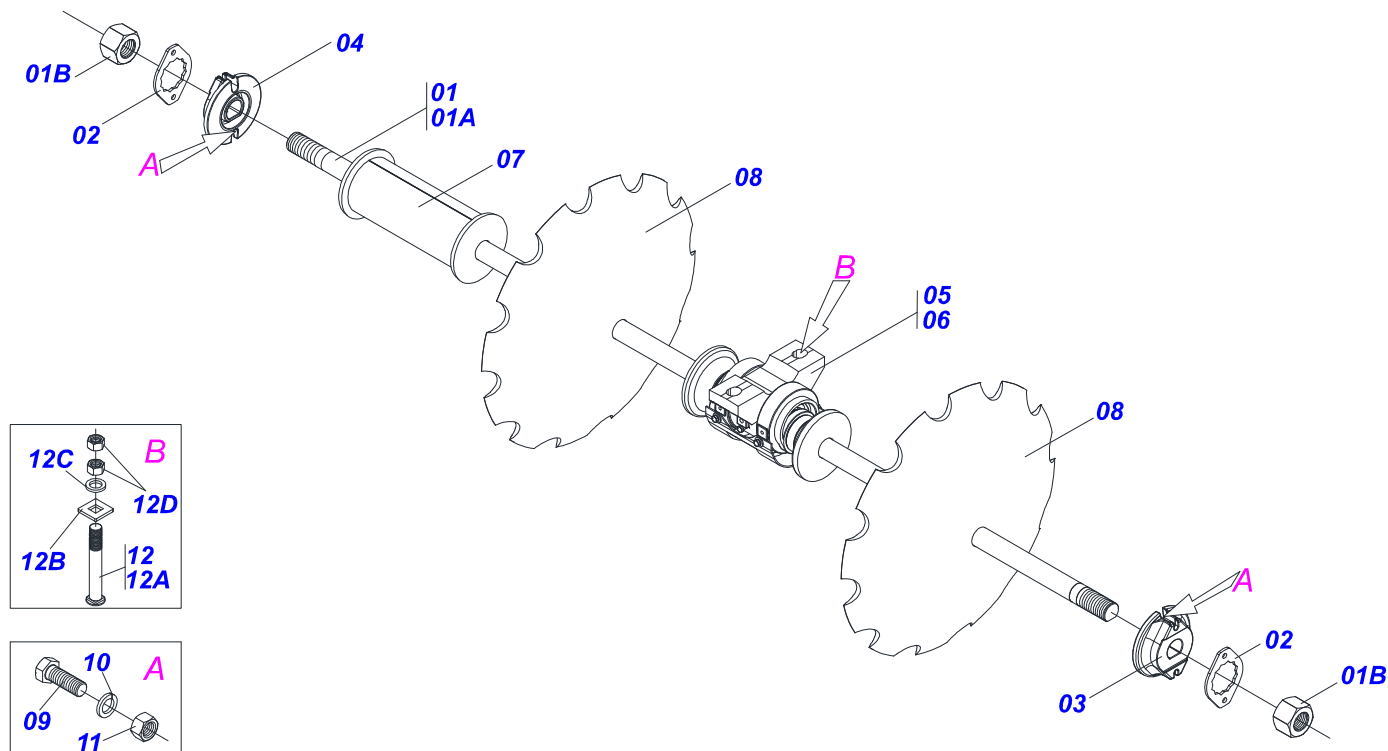
Item	Code	Description	See page	12	16
13	0521013678	FRONT CLEANER		06	08
14	0521013679	REAR CLEANER		06	08
15	0503012195	5/8" NUT		30	32
16	0503010027	5/8" SPRING WASHER		30	32
17	0503010013	5/8" NUT		30	32
18	0501010500	3/4"X3"BOLT		30	32
19	0541010763	FLAT WASHER		62	64
20	0503010014	3/4" NUT		30	33
21	0511044812	63.5 X 150 X 950 X 55 HYDRAULIC CYLINDER	2	01	01
22	0511064470	HOSE HOLDER ASSY		01	01
23	0503010023	3/4" SPRING WASHER		01	01
24	0541011205	DRAWBAR LOCK SAFETY		02	02
25	0501061044	2-1/8" AND 2-1/2" CABLE FLAT WRENCH		02	02
26	0501011432	1-1/2" AND 1-5/8 GANG BOLT WRENCH		02	02
27	0501062300	1-1/4" WRENCH CABLE CYLINDRICAL		01	01
28	0511042161	2.1/2" ROD STOP ASSY		01	01
29	0511042162	2.1/2" ROD STOP ASSY		01	01
30	0511042163	2.1/2" ROD STOP ASSY		01	01
31	0511042164	2.1/2" ROD STOP ASSY		01	01
32	0511042165	2.1/2" ROD STOP ASSY		01	01
33	0511042166	2.1/2" ROD STOP ASSY		01	01
34	0521011722	FLAT WASHER		01	01
35	0501069343	WRENCH FIXER		01	01
36	0501069350	230 PIVOT SHAFT WITH PULL		01	01
37	0531018100	37,50 X 200 COUPLING SHAFT		02	02
38	0541011534	FLAT WASHER		04	04
39	0531018099	37,50 X 190 COUPLING SHAFT		02	02
40	0503010010	1/4" X 2.1/2" COTTERPIN		04	04
41	0521010573	0.9" X 3.1" COUPLING SHAFT		02	02
42	0503010571	1/4" X 1.1/2 COTTERPIN		01	01
43	0503030012	HAIR PIN		01	01
44	0503031035	HAIR PIN		01	01
45	0503010002	1800 GREASE FITTING		14	14
46	0511043153	DRAWBAR JACK	3	01	01
47	0541011345	16 X 68 PLUGER		01	01
48	0503030168	HAIR PIN		01	01
49	0521011481	FRAME BATTERY		01	01
50	0501010108	5/8" X 1" BOLT		01	01
51	0501012140	FLAT WASHER		01	01
52	0501055696	DISCHARGE VALVE OFS ASSY		01	01
52A	0503010919	DISCHARGE VALVE		01	01
52B	0503010190	2-114 N 3006-9B O'RING		04	04
52C	0503030923	3/4" UNF X 13/16UN OFS X 40 NIPPLE		04	04
53	0503010237	3/8" X 1" BOLT		02	02
54	0503010025	3/8" SPRING WASHER		02	02
55	0503010190	2-114 N 3006-9B O'RING		02	02
56	0503030923	3/4" UNF X 13/16UN OFS X 40 NIPPLE		02	02
57	0503011030	2-014 N 3006-9B O'RING		06	06
58	0501080554	1/2" X 27.6" TR-TC OFS HOSE		01	01
59	0501081054	TR-TC HOSE ASSY		01	01
60	0501080917	1/2" X 5500 TR-TM HOSE ASSY		02	02
61	0501053834	MALE QUICK COUPLER WITH CAP - 1/2 NPT		02	02
62	0521011721	1.6" X 3.94" X 0.12" WASHER		02	02



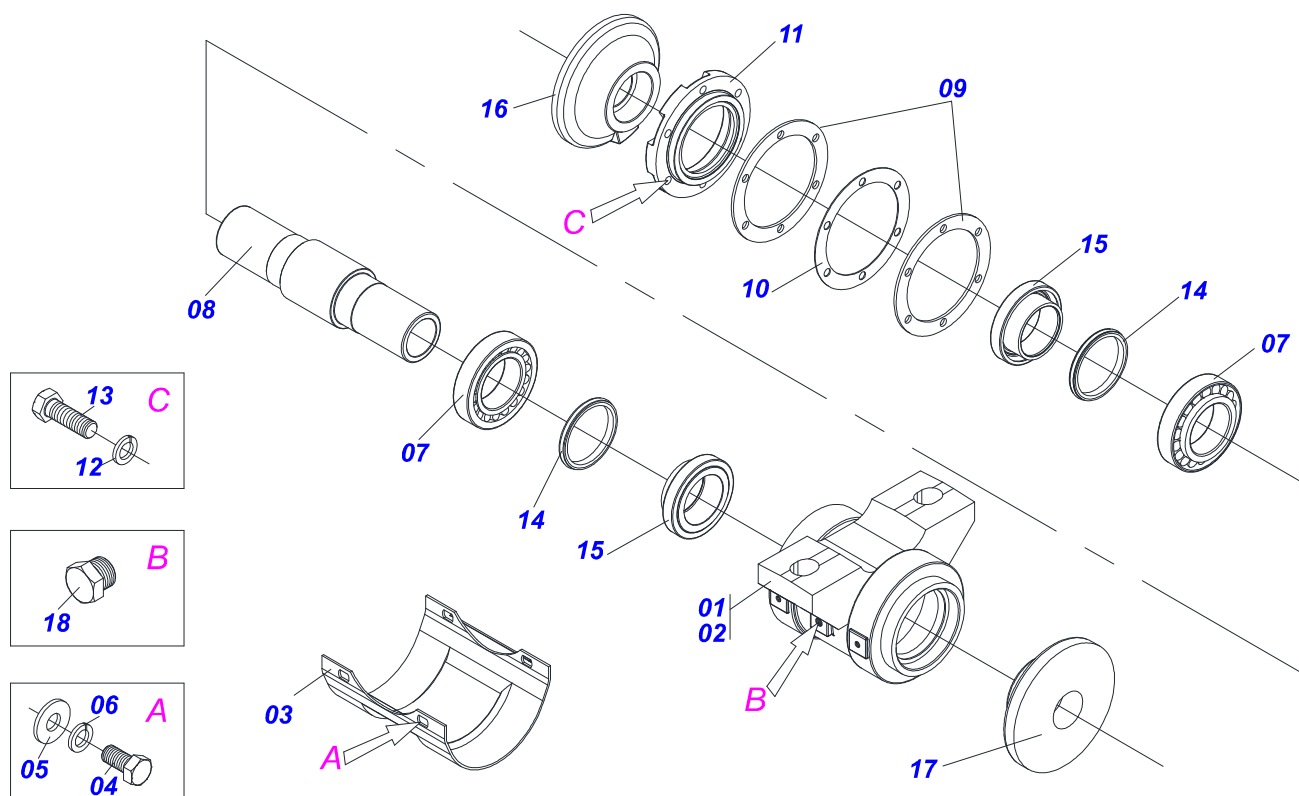
Item	Code	Description	See page	QT
01	0511067335	150 X 710 CYLINDER CASE		01
02	0521069121	TURNBUCKLE		01
03	0581018237	RING SUPPORT 63.50 X 150 X 80		01
04	0503030384	CON PLUG N-001		02
05	0503010287	D-2500 SCRAPER RING		01
06	0541010615	6" END CAP		01
07	0503014960	GASKET		01
08	0503010971	W2-2750-500 PK RING G.I		02
09	0503010002	1800 GREASE FITTING		02
10	0503010704	2-357 N 3006-9B O'RING		01
11	0503019286	BACK-UP RING 8-357		01
12	0581018236	PISTON 150 X 57 GASPM EHD 16		01
13	0581018235	10 X 30 NUT		01
14	0503015912	SELEMASTER SEALING		01
15	0503019098	O' RING 2-227 N 3006-90B		01



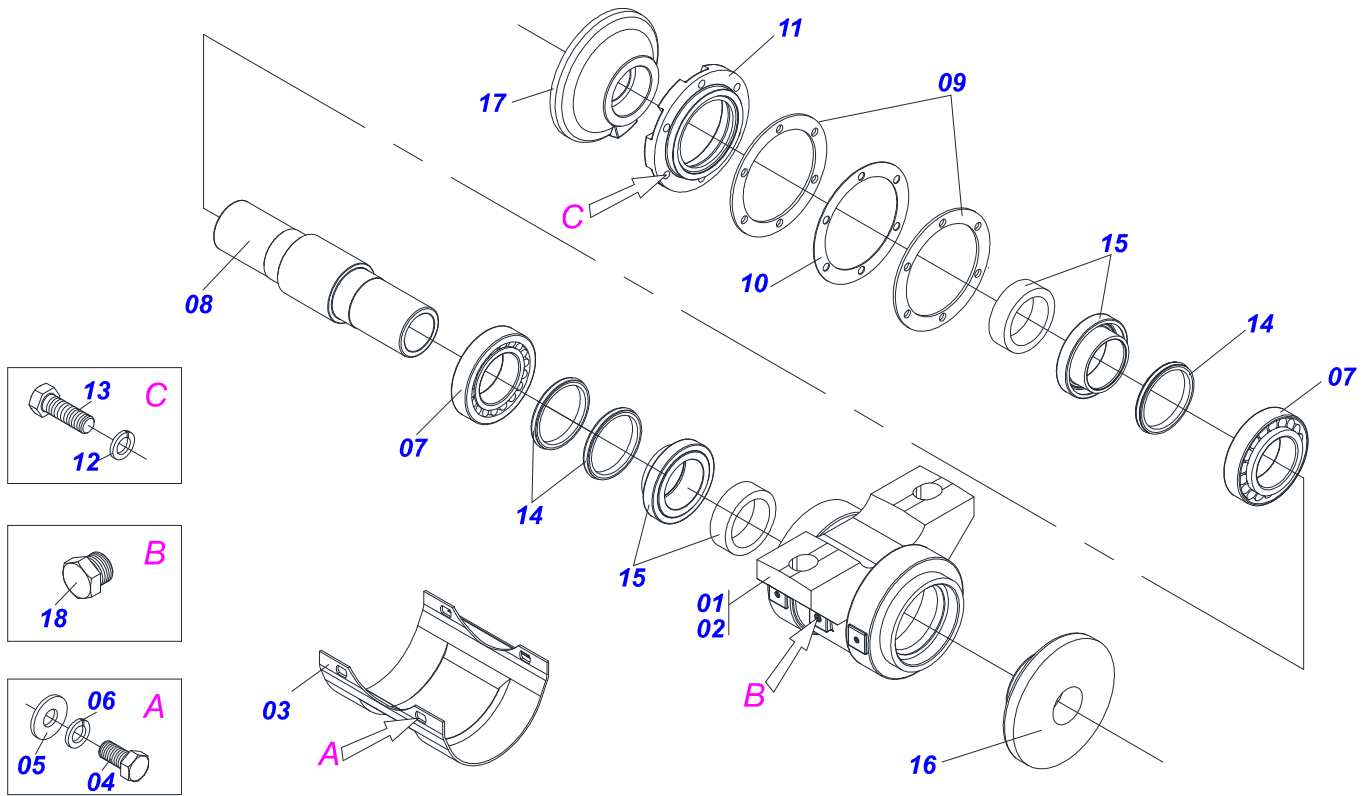
Item	Code	Description	See page	QT
01	0511065948	OUTER BODY DRAWBAR JACK		01
02	0531017603	JACK SPINDLE		01
03	0503013092	51305 BEARING		01
04	0511064234	20Z DRIVER GEAR		01
05	0503010561	SPRING PIN		02
06	0503011410	ROLLER BEARING		01
07	0503011105	SEAL RING		01
08	0511064235	JACK CRANK		01
09	0511064233	10Z DRIVER GEAR		01
10	0511064236	JACK INNER BODY		01
11	0531017602	PROTECTION COVER GEAR		01
12	0503011312	ROTATIVE CABLE		01



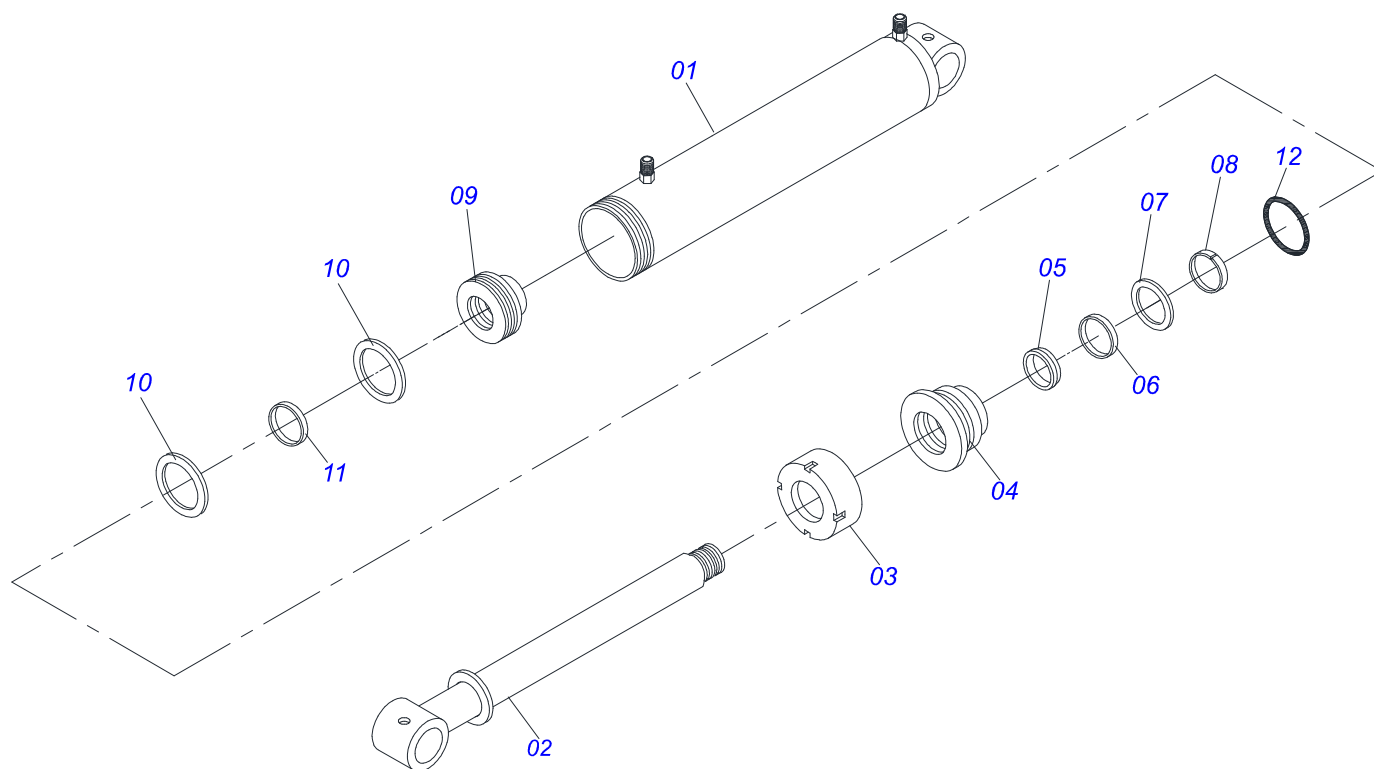
Item	Code	Description	See page	12	16
01	0501040693	2-1/2" X 63" AXLE WITH NUTS		00	02
01.	0501040691	2-1/2" X 97" AXLE WITH NUTS		02	00
01A	0501010358	2-1/2" X 63" AXLE		00	02
01A.	0501010356	2-1/2" X 97" AXLE		02	00
01B	0502040064	2.1/2"SNC X 70 99 NUT		00	04
01B.	0502040064	2.1/2"SNC X 70 99 NUT		04	00
02	0541010368	NUT LOCK		04	08
03	0502010593	2-1/2" EXTERNAL AXLE WASHER		02	04
04	0502010592	2-1/2" INNER AXLE WASHER		02	04
05	0511042496	430 X 2.1/2" OIL BATH BEARING		04	04
06	0511043845	430 X 2.1/2" OIL BATH BEARING		04	04
06.	0521041291	OIL 430 X 2.1/2 BEARING ASSY		04	04
07	0502012220	2-1/2" X 17" SPACER		06	04
08	0602048051	36" X 12MM NOTCHED DISC BLADE		12	16
08.	0602048062	36 X 12MM NOTCHED DISC		12	16
08..	0602046002	34" X 0.5" NOTCHED DISC BLADE		12	16
08...	0602050002	39 X 12 NOTCHED DISC BLADE		12	16
09	0503010232	5/8" X 1.3/4" BOLT		12	16
10	0503010027	5/8" SPRING WASHER		12	16
11	0503010013	5/8" NUT		12	16
12	0501041301	1-1/4"X 5-3/4" ASSY BOLT		12	16
12A	0501010954	1-1/4" X 5-3/4" BOLT		12	16
12B	0501010953	1-1/4" SQUARE WASHER		12	16
12C	0531010713	FLAT WASHER		12	16
12D	0501010087	1.1/4" NUT		24	32



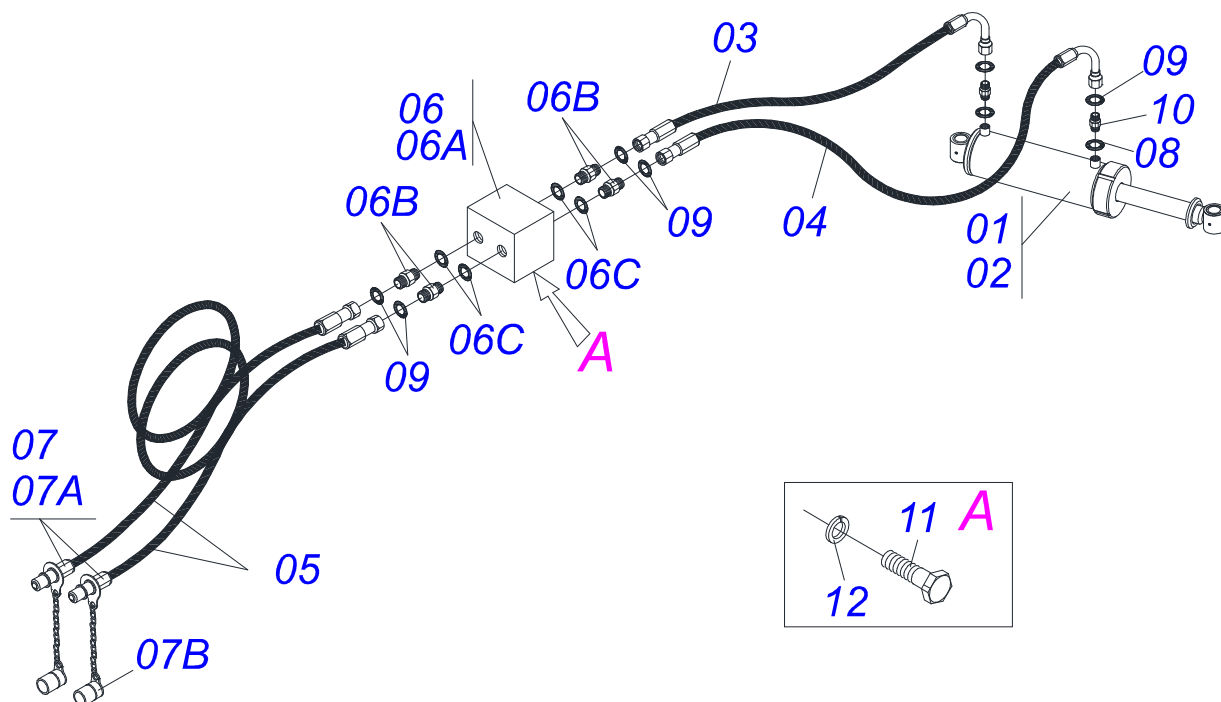
Item	Code	Description	See page	QT
01	0511042496	430 X 2.1/2" OIL BATH BEARING	01	01
02	0502010747	HOUSING DM	01	01
03	0501018437	PROTECTION COVER	01	01
04	0503010834	1/2 X 1 BOLT	04	04
05	0511017302	FLAT WASHER	04	04
06	0503010019	1/2" SPRING WASHER	04	04
07	0503013243	32218 ROLLER BEARING	02	02
08	0502040039	AXLE	01	01
09	0503030537	8.3" X 6.3" X 0.01" JOINT	02	02
10	0503030687	8.3" X 6.3" X 0.004" JOINT	01	01
11	0502010644	HOUSING CAP DM	01	01
12	0503011440	SPRING WASHER	06	06
13	0501010063	1/2" X 1-1/2" BOLT	06	06
14	0503030029	SEAL # LP JB-259	02	02
15	0502040119	SEAL RETAINER	02	02
16	0502040164	OUTER FLANGE	01	01
17	0502040165	INNER FLANGE	01	01
18	0503010856	OIL PLUG	01	01



Item	Code	Description	See page	QT
01	0511043845	430 X 2.1/2" OIL BATH BEARING		00
02	0502010746	HOUSING DM		01
03.	0501018437	PROTECTION COVER		01
04.	0503010834	1/2 X 1 BOLT		04
05.	0511017302	FLAT WASHER		04
06.	0503010019	1/2" SPRING WASHER		04
07	0503013243	32218 ROLLER BEARING		02
08	0502040039	AXLE		01
09	0503030537	8.3" X 6.3" X 0.01" JOINT		02
10	0503030687	8.3" X 6.3" X 0.004" JOINT		01
11	0502010644	HOUSING CAP DM		01
12	0503011440	SPRING WASHER		06
13	0501010063	1/2" X 1-1/2" BOLT		06
14	0503030029	SEAL # LP JB-259		02
15	0502040119	SEAL RETAINER		02
16	0502040165	INNER FLANGE		01
17	0502040164	OUTER FLANGE		01
18	0503010856	OIL PLUG		01



Item	Code	Description	See page	QT
00	0511043185	63,5 X 150 HYDRAULIC CYLINDER	8	00
01	0511065971	150 X 468 CYLINDER CASE		01
02	0511065972	63,50 X 662 TURNBUCKLE		01
03	0541010615	6" END CAP		01
04	0502012375	TURNBUCKLE GUIDE		01
05	0503010287	D-2500 SCRAPER RING		01
06	0503012497	RING (TEFLON)		01
07	0503010288	PACKING 2500-2500-375-B		01
08	0503010971	W2-2750-500 PK RING G.I		01
09	0502012319	150 PISTON		01
10	0503013441	OE PACKING 150		02
11	0503012825	RING (TEFLON) CH 61100		01
12	0503010704	2-357 N 3006-9B O'RING		01
13	0501034665	HYDRAULIC CYLINDER REPAIR KIT		01



Item	Code	Description	See page	10	12	16	20
01	0511043185	63,5 X 150 HYDRAULIC CYLINDER	8	01	01	00	00
02	0511044812	63.5 X 150 X 950 X 55 HYDRAULIC CYLINDER	2	00	00	01	01
03	0501080969	1/2" X 750 TR-TC OFS HOSE		01	01	01	01
04	0501081115	1/2" X 1330 TC-TR HOSE ASSY		01	01	01	01
05	0501080917	1/2" X 5500 TR-TM HOSE ASSY		02	02	02	02
06	0501055696	DISCHARGE VALVE OFS ASSY		01	01	01	01
06A	0503010919	DISCHARGE VALVE		01	01	01	01
06B	0503010190	2-114 N 3006-9B O'RING		04	04	04	04
06C	0503030923	3/4" UNF X 13/16UN OFS X 40 NIPPLE		04	04	04	04
07	0501053834	MALE QUICK COUPLER WITH CAP - 1/2 NPT		02	02	02	02
07A	0503011627	MALE QUICK COUPLER AGR 1/2 NPT		02	02	02	02
07B	0503011882	MALE QUICK COUPLER CAP		02	02	02	02
08	0503010190	2-114 N 3006-9B O'RING		02	02	02	02
09	0503011030	2-014 N 3006-9B O'RING		06	06	06	06
10	0503030923	3/4" UNF X 13/16UN OFS X 40 NIPPLE		02	02	02	02
11	0503010237	3/8" X 1" BOLT		02	02	02	02
12	0503010025	3/8" SPRING WASHER		02	02	02	02



www.marchesan.com.br



Technical Publications | Elaboration and Revision
JOSÉ DOMINGOS GASPARI