

**AUXILIARY PRODUCTS**

**RTA 6 - 12/18/20/24"**

**Code:** 0501091157  
**Series:** S-0792  
**Revision:** 00  
**Date Revision:** SETEMBRO/2021

# PARTS CATALOGUE



**MARCHESAN**



# PRODUCTS

Code	Description	
0114010035	RTA-6 12" E 24"	S-0792
0114010024	RTA-6 18"	S-0792
0114010025	RTA-6 20"	S-0792
0114010026	RTA-6 24"	S-0792
0114010027	RTA-6 TRAPEZ	S-0792
0114010039	RTA-6 TRAPEZ E 24"	S-0792

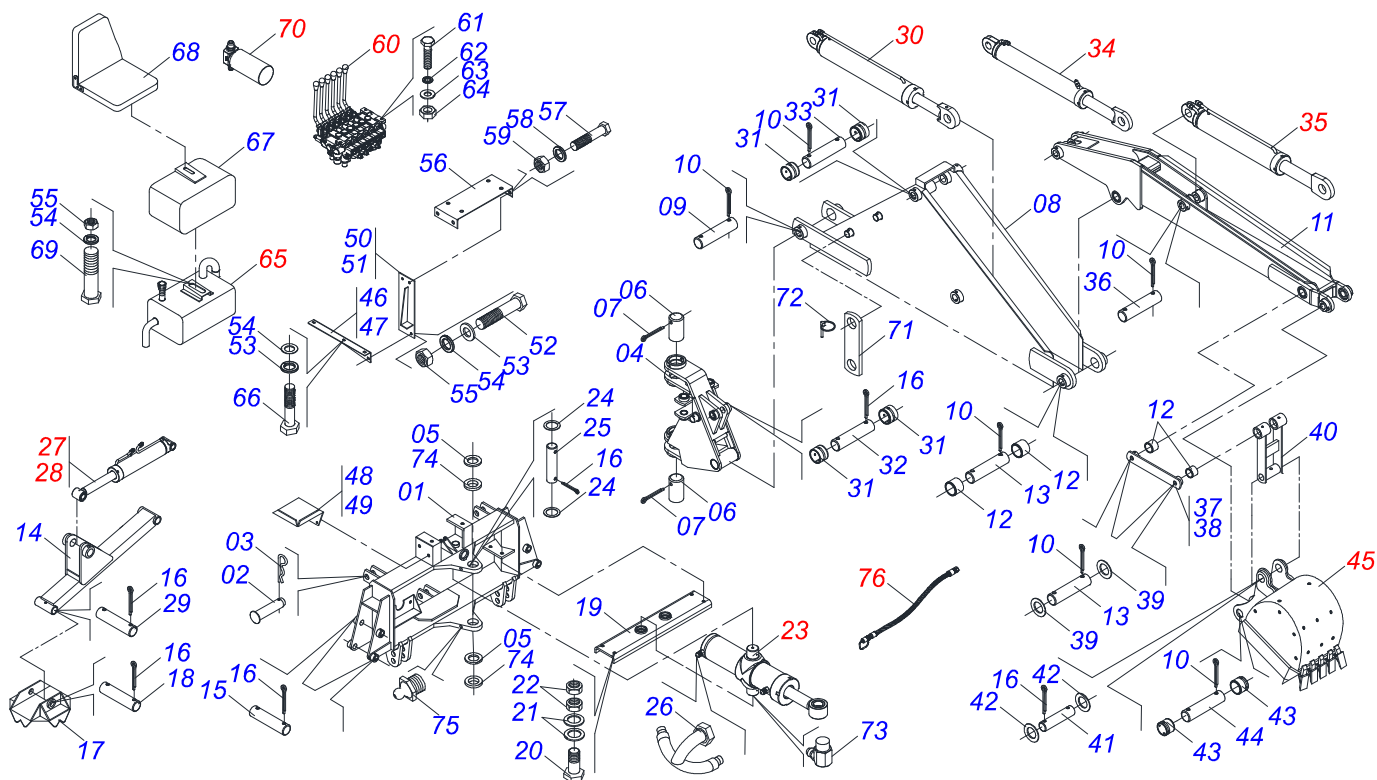
## ATTENTION: IMPORTANT

Marchesan S.A. reserves the right to improve and / or modify the technical features of its products, without obligation to do the same with those products already sold and without prior knowledge of the dealer or the consumer.



# INDEX

0909091664	BACKHOE FARM	.....	1
0511059335	SAFETY KIT	.....	2
0501043438	1.7" X3.4" X 7" X 10" HYDRAULIC CYLINDER	.....	3
0501043243	1.75" X 3.37" X 22.75" HYDRAULIC CYLINDER	.....	4
0501043244	1.7" X 3.7" X 22.7" X 11.8" HYDRAULIC CYLINDER	.....	5
0501043437	1.75" X 4" X 32" X 20" HYDRAULIC CYLINDER	.....	6
0501042748	2" X 3.4" X 43" X 7" HYDRALIC CYLINDER	.....	7
0501042747	2" X 3.7" X 28.3" X 16"HYDRAULIC CYLINDER	.....	8
0501110148	12" BUCKET	.....	9
0501110150	18" BUCKET	.....	10
0501110151	20" BUCKET	.....	12
0501110152	24" BUCKET	.....	13
0501110158	RTA/RTAC BUCKET	.....	13
0501043236	COMMAND HIDRAULIC ASSY	.....	14
0501047811	RESERVOIR OIL ASSY	.....	15
0501041108	RETURNING FILTER ASSY	.....	16
0909091665	COUPLING SYSTEM	.....	17
0501044149	CARDAN	.....	18
0909091666	HYDRAULIC CIRCUIT	.....	19



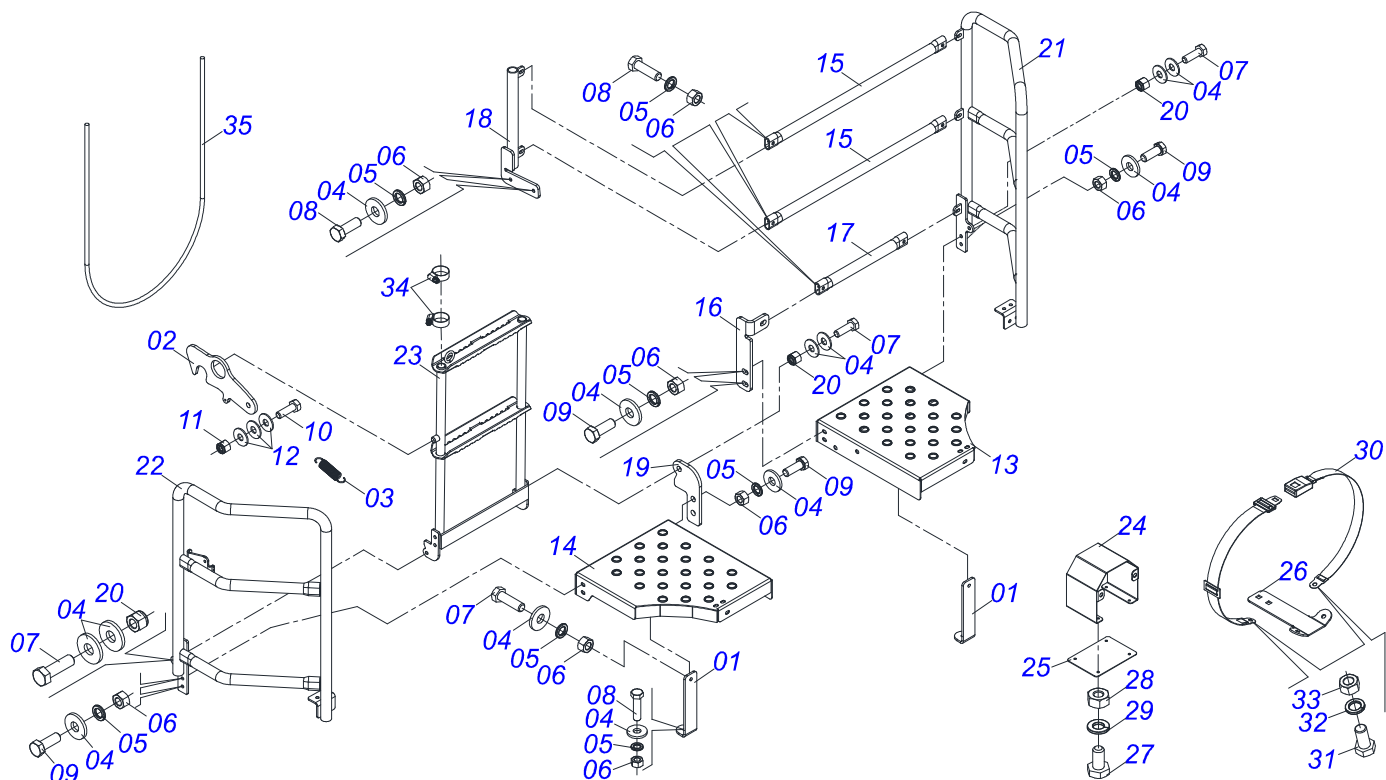
Item	Code	Description	See page	12	18	20	24
01	0501065747	TABLE		01	01	01	01
02	0521010595	1.1" X 4.3" COUPLING SHAFT		02	02	02	02
03	0503031035	HAIR PIN		02	02	02	02
04	0501065757	ROTATIVE CASTLE		01	01	01	01
05	0502020455	FLAT WASHER		02	02	02	02
06	0511011393	2.99" X 5.51" PIVOT SHAFT		02	02	02	02
07	0503011132	3/8" X 5-1/2" COTTERPIN		02	02	02	02
08	0501065851	CHARGING BAR RTA 6		01	01	01	01
09	0521010623	1.99" X 10.2" COUPLING SHAFT		01	01	01	01
10	0503010073	3/8 X 3-1/2 COTTERPIN		16	16	16	16
11	0501065852	ARM RTA 6		01	01	01	01
12	0521010470	SLEEVE		08	08	08	08
13	0521010611	1.37"X10.6"COUPLING SHAFT		03	03	03	03
14	0501064655	STABILIZER ARM		02	02	02	02
15	0521010604	1.25" X 7.6" COUPLING SHAFT		04	04	04	04
16	0503010534	3/8 X 2-1/2 COTTERPIN		24	24	24	24
17	0501065728	ESTABILIZER BRACKET		02	02	02	02
18	0521010792	1.24" X 5.3" X 6.9" COUPLING SHAFT		02	02	02	02
19	0501065025	CYLINDER SUPPORT		01	01	01	01
20	0503011067	5/8" X 2-1/2" BOLT		04	04	04	04
21	0511010580	CONICAL SPRING WASHER		08	08	08	08
22	0503010129	5/8" NUT		08	08	08	08
23	0501043438	1.7" X3.4" X 7" X 10" HYDRAULIC CYLINDER	3	02	02	02	02
24	0501018466	FLAT WASHER		04	04	04	04
25	0521010603	1.2" X 6.1" COUPLING SHAFT		02	02	02	02
26	0501065068	TRIPLE TERMINAL		02	02	02	02
27	0501043243	1.75" X 3.37" X 22.75" HYDRAULIC CYLINDER	4	01	01	01	01
28	0501043244	1.7" X 3.7" X 22.7" X 11.8" HYDRAULIC CYLINDER	5	01	01	01	01
29	0521010791	1.2" X 5.4" COUPLING SHAFT		02	02	02	02
30	0501043437	1.75" X 4" X 32" X 20" HYDRAULIC CYLINDER	6	01	01	01	01
31	0521010735	SLEEVE		06	06	06	06



## BACKHOE FARM

0909091664

Item	Code	Description	See page	12	18	20	24
32	0521010606	1.37" X 4.5" COUPLING SHAFT		01	01	01	01
33	0521010608	1.37" X 8.07" COUPLING SHAFT		03	03	03	03
34	0501042748	2" X 3.4" X 43" X 7" HYDRALIC CYLINDER	7	01	01	01	01
35	0501042747	2" X 3.7" X 28.3" X 16" HYDRAULIC CYLINDER	8	01	01	01	01
36	0521010607	1.4" X 7.1" COUPLING SHAFT		01	01	01	01
37	0501065848	LEFT ARM LINK		01	01	01	01
38	0501065746	RIGHT ARM LINK		01	01	01	01
39	0501018466	FLAT WASHER		04	04	04	04
40	0501064653	BUCKET LINK		01	01	01	01
41	0521010609	1.4" X 8.85" COUPLING SHAFT		01	01	01	01
42	0501018466	FLAT WASHER		02	02	02	02
43	0521010471	SLEEVE		02	02	02	02
44	0521010610	1.4" X 9.4" COUPLING SHAFT		01	01	01	01
45	0501110148	12" BUCKET	9	01	00	00	00
45.	0501110150	18" BUCKET	10	00	01	00	00
45..	0501110151	20" BUCKET	12	00	00	01	00
45...	0501110158	RTA/RTAC BUCKET	13	00	00	00	01
45....	0501110152	24" BUCKET	13	00	00	00	01
46	0511010551	23.6" RIGHT TANK SUPPORT		01	01	01	01
47	0511010552	23.6" LEFT TANK SUPPORT		01	01	01	01
48	0501065080	RIGHT FOOT SUPPORT		01	01	01	01
49	0501065081	LEFT FOOT SUPPORT		01	01	01	01
50	0501064849	SUPPORT SIDE CONTROL VALVE		01	01	01	01
51	0501064850	SUPPORT SIDE CONTROL VALVE		01	01	01	01
52	0501010063	1/2" X 1-1/2" BOLT		06	06	06	06
53	0511017302	FLAT WASHER		10	10	10	10
54	0503010019	1/2" SPRING WASHER		10	10	10	10
55	0503010020	1/2"NUT		06	06	06	06
56	0501064851	SUPPORT CONTROL VALVE		01	01	01	01
57	0503010237	3/8" X 1" BOLT		04	04	04	04
58	0503010025	3/8" SPRING WASHER		04	04	04	04
59	0503010026	3/8" NUT		04	04	04	04
60	0501043236	COMMAND HIDRAULIC ASSY	14	01	01	01	01
61	0503010365	NUT		03	03	03	03
62	0503010179	5/16" ZN SPRING WASHER		03	03	03	03
63	0501010694	8.5 X 18 X 1.5 FLAT WASHER		03	03	03	03
64	0503010337	5/16" NUT		03	03	03	03
65	0501047811	RESERVOIR OIL ASSY	15	01	01	01	01
66	0503010834	1/2 X 1 BOLT		04	04	04	04
67	0511011926	PROTECTION		01	01	01	01
68	0503030591	SEAT		01	01	01	01
69	0501011600	1/2" X 1-1/4" BOLT		02	02	02	02
70	0501041108	RETURNING FILTER ASSY	16	01	01	01	01
71	0511010019	TRANSPORT LOCK		01	01	01	01
72	0503030085	LOCK PIN		06	06	06	06
73	0503010003	1845 GREASE FITTING		02	02	02	02
74	0502020541	FLAT WASHER		02	02	02	02
75	0503010002	1800 GREASE FITTING		26	26	26	26
76	0909091666	HYDRAULIC CIRCUIT	19	01	01	01	01



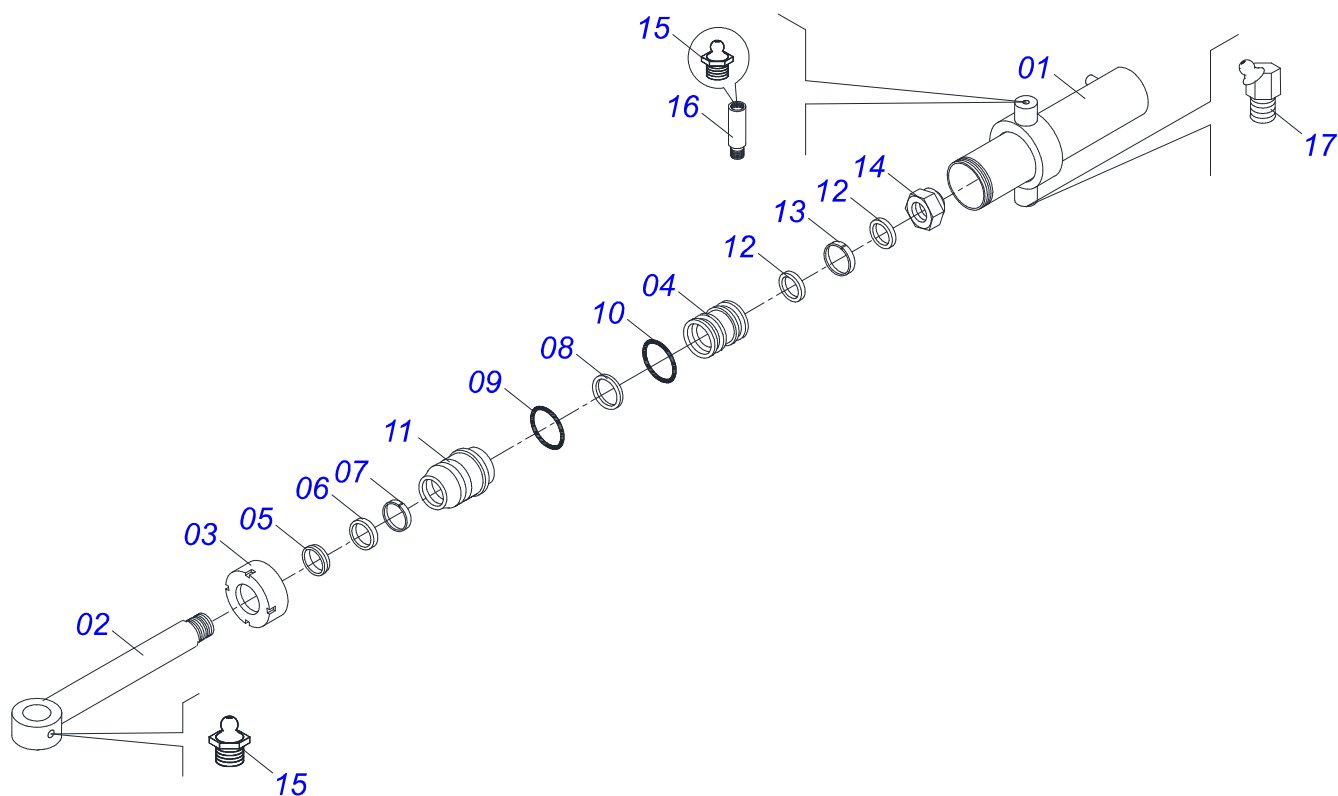
Item	Code	Description	See page	QT
01	0581011968	ATTACHMENT BAR		02
02	0581011966	LADDER LOCK		01
03	0503030198	0.6" X 2.4" X 0.1" EXTENSION SPRING		01
04	0501010984	FLAT WASHER		22
05	0503010025	3/8" SPRING WASHER		24
06	0503010026	3/8" NUT		24
07	0503010751	C3/8" X 1.1/4" HEX BOLT G.5		04
08	0503010849	3/8" X 1-1/2" BOLT		10
09	0503010237	3/8" X 1" BOLT		12
10	0503010371	5/16" X 1" BOLT		01
11	0503013759	NUT		01
12	0521011039	FLAT WASHER		03
13	0521067028	LEFT PLATAFORM		01
14	0521067029	RIGHT PLATAFORM		01
15	0581011965	FRONT PROTECTION		02
16	0581011967	FIXER BEARING		01
17	0581011964	FRONT PROTECTION		01
18	0521067031	FIXER SUPPORT PROTETION		01
19	0581011978	FIXER PLATE		01
20	0503013357	3/8" SELF-ADJUSTING NUT		03
21	0521067027	HANDRAIL		01
22	0521067026	HANDRAIL		01
23	0521067030	LADDER		01
24	0581011216	COVER PROTECTION PUMP		01
25	0581011217	PUMP PROTECTION COVER		01
26	0581011218	SAFETY BELT		01
27	0503014729	1/4" UNF X 1/2" BOLT		04
28	0503010144	1/4" NUT		04
29	0503010143	1/4" SPRING WASHER		04
30	0503032137	SAFETY BELT		01
31	0503012556	1/2" X 1" BOLT		02



**SAFETY KIT**

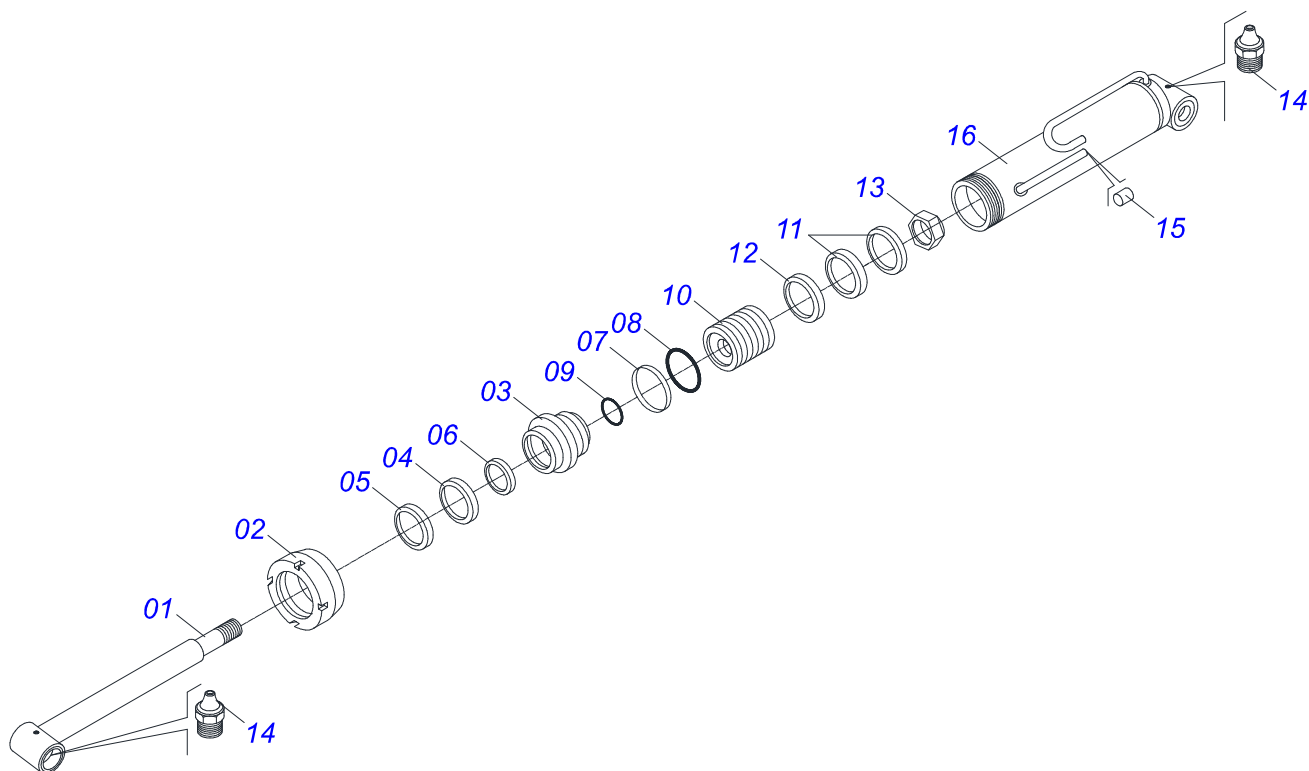
0511059335

Item	Code	Description	See page	QT
32	0503010019	1/2" SPRING WASHER		02
33	0503010060	1/2" NUT		02
34	0503010296	CLAMP		02
35	0501018909	ROPE ROW MARKER		01

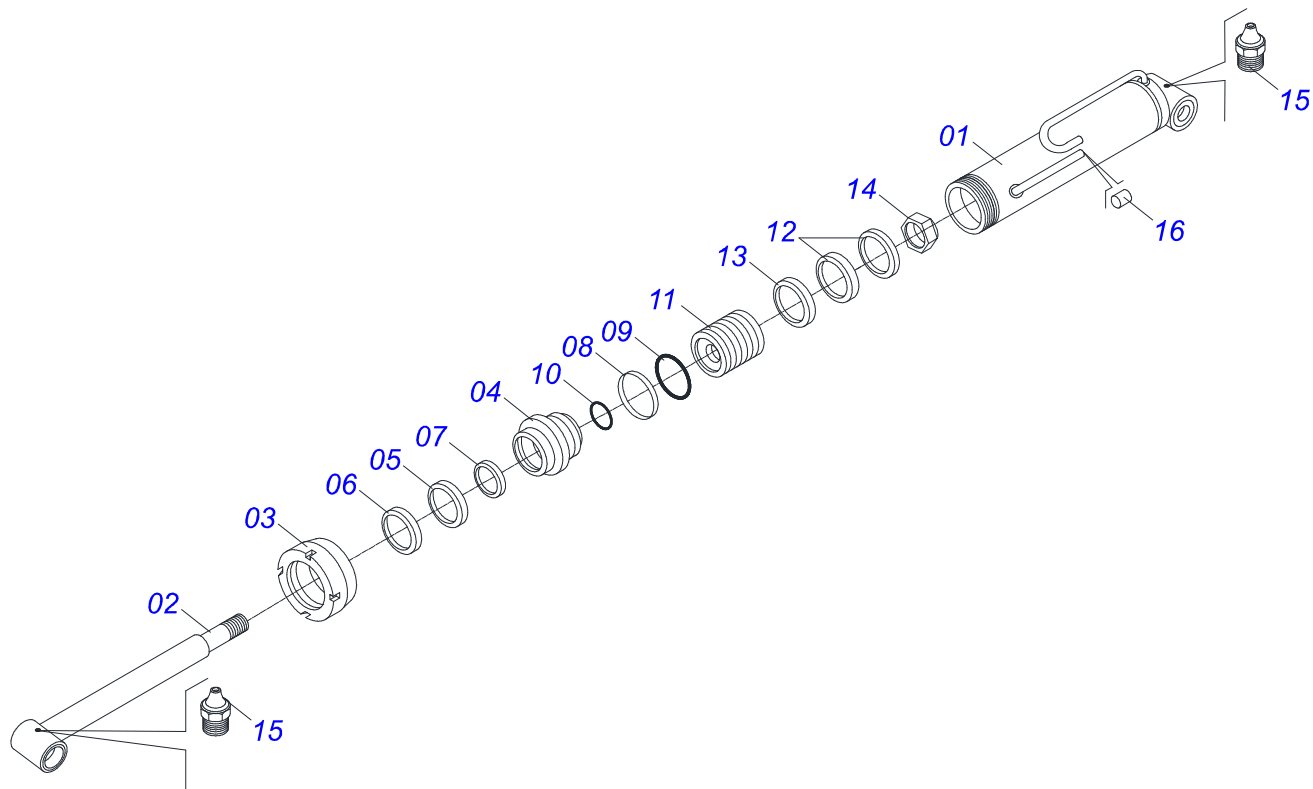


Item	Code	Description	See page
01	0501069009	85,7" X 260" BODY	01
02	0501068961	HYDRAULIC CYLINDER TURNBUCKLE	01
03	0502010993	DETACHABLE COVER	01
04	0502010781	RING SUPPORT	01
05	0503010761	D-1750 SCRAPER RING	01
06	0503010990	GASKET	01
07	0503010949	W2-2000-500 PK RING G.E	01
08	0503011060	8-336 BACK-UP RING	01
09	0503010976	2-336 N 3006-9B O'RING	01
10	0503010042	2-214 N 3006-9B O'RING	01
11	0502010843	1.8" X 3.4" PISTON	01
12	0503010170	PACKING 3120 2750	02
13	0503010948	W4-3346-590 PK RING G.E	01
14	0503010063	1" SELF-ALIGNING NUT	01
15	0503010002	1800 GREASE FITTING	02
16	0501019757	EXTENSION GREASE FITTING	01
17	0503010003	1845 GREASE FITTING	01

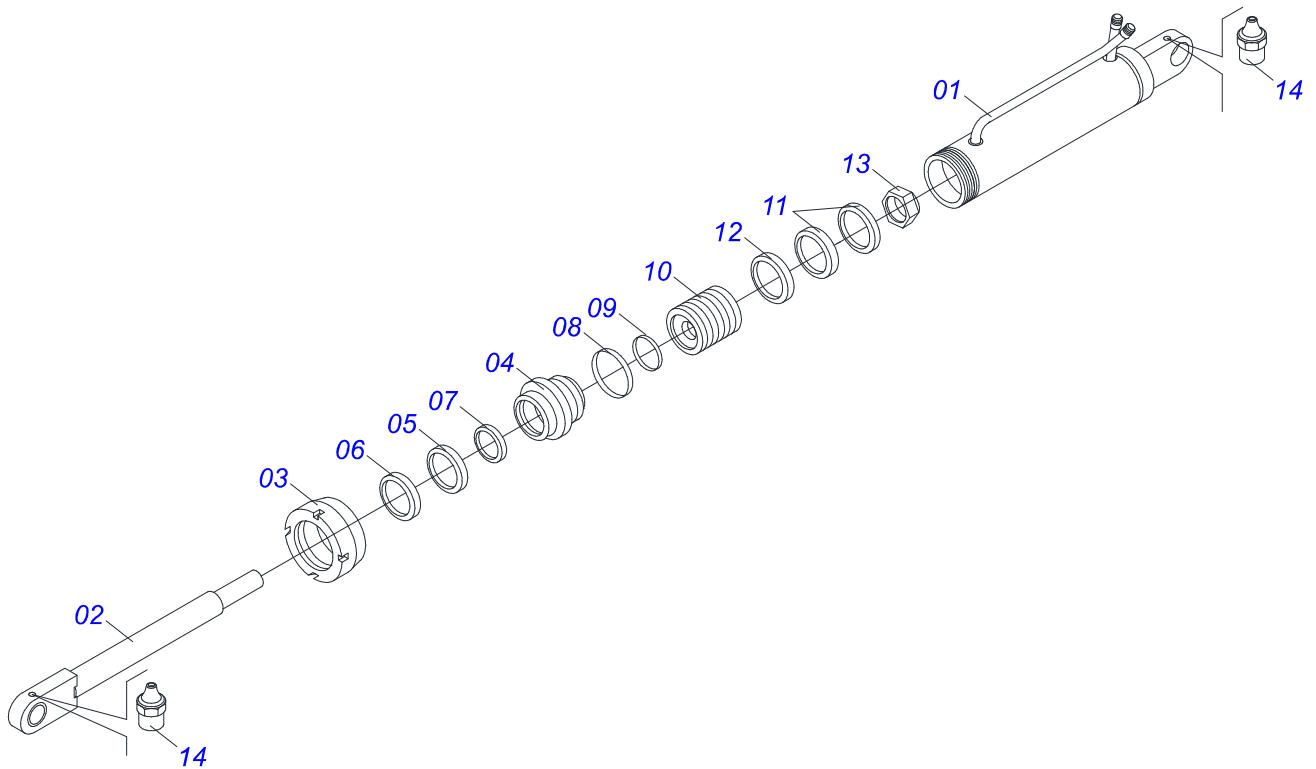




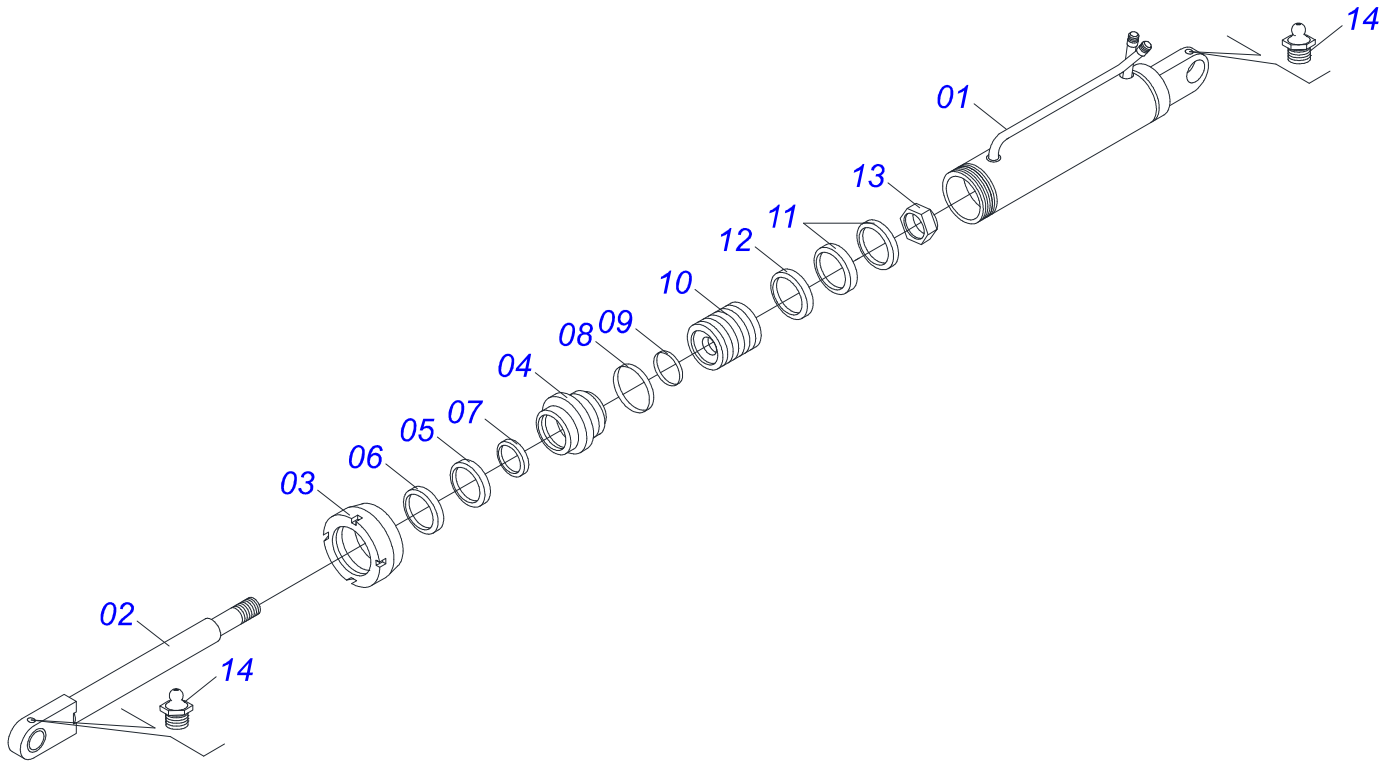
Item	Code	Description	See page	QT
01	0501068965	HYDRAULIC CYLINDER TURNBUCKLE		01
02	0502010993	DETACHABLE COVER		01
03	0502010781	RING SUPPORT		01
04	0503010761	D-1750 SCRAPER RING		01
05	0503010990	GASKET		01
06	0503010949	W2-2000-500 PK RING G.E		01
07	0503011060	8-336 BACK-UP RING		01
08	0503010976	2-336 N 3006-9B O'RING		01
09	0503010042	2-214 N 3006-9B O'RING		01
10	0502010843	1.8" X 3.4" PISTON		01
11	0503010170	PACKING 3120 2750		02
12	0503010948	W4-3346-590 PK RING G.E		01
13	0503010063	1" SELF-ALIGNING NUT		01
14	0503010002	1800 GREASE FITTING		02
15	0503030385	CYLINDER PLUG N-002		02
16	0501069077	85,7" X 300" BODY RIGHT		01



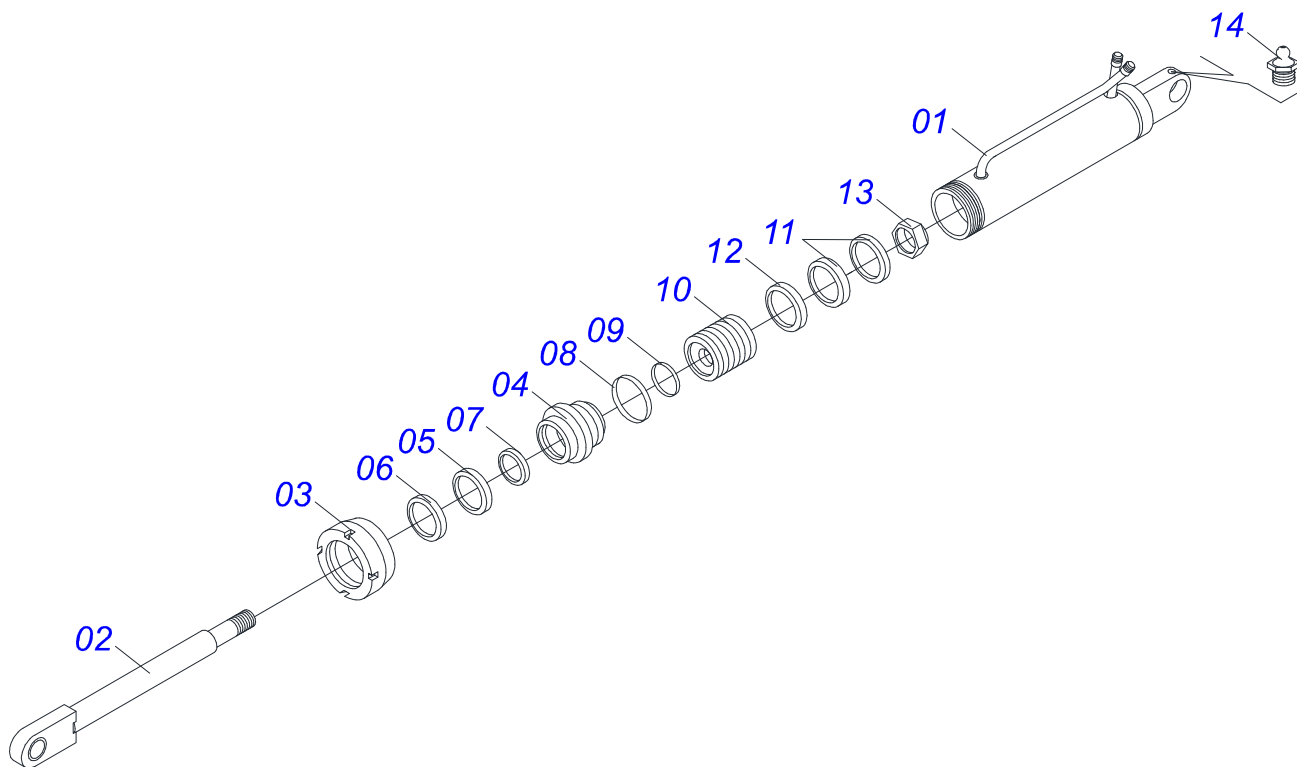
Item	Code	Description	See page	QT
01	0501069078	85,7" X 300" BODY LEFT		01
02	0501068965	HYDRAULIC CYLINDER TURNBUCKLE		01
03	0502010993	DETACHABLE COVER		01
04	0502010781	RING SUPPORT		01
05	0503010761	D-1750 SCRAPER RING		01
06	0503010990	GASKET		01
07	0503010949	W2-2000-500 PK RING G.E		01
08	0503011060	8-336 BACK-UP RING		01
09	0503010976	2-336 N 3006-9B O'RING		01
10	0503010042	2-214 N 3006-9B O'RING		01
11	0502010843	1.8" X 3.4" PISTON		01
12	0503010170	PACKING 3120 2750		02
13	0503010948	W4-3346-590 PK RING G.E		01
14	0503010063	1" SELF-ALIGNING NUT		01
15	0503010002	1800 GREASE FITTING		02
16	0503030385	CYLINDER PLUG N-002		02



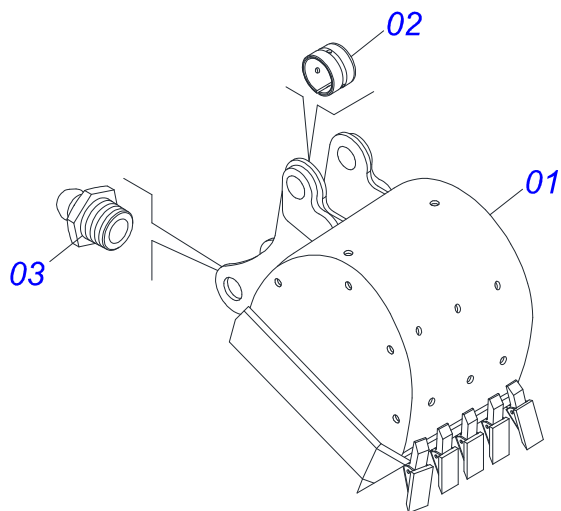
Item	Code	Description	See page
01	0501064923	4" X 20.07" CYLINDER CASE	01
02	0501068960	HYDRAULIC CYLINDER TURNBUCKLE	01
03	0502010017	4" HEAD	01
04	0502010841	RING OF SUPPORT	01
05	0503010761	D-1750 SCRAPER RING	01
06	0503010990	GASKET	01
07	0503010949	W2-2000-500 PK RING G.E	01
08	0503010338	2-342 N 3006-9B O'RING	01
09	0503010042	2-214 N 3006-9B O'RING	01
10	0502010793	1.7" X 4" PISTON	01
11	0503010043	PACKING 3750-3250	02
12	0503010994	W2-4000-500 PK RING G.E	01
13	0503010063	1" SELF-ALIGNING NUT	01
14	0503010002	1800 GREASE FITTING	02



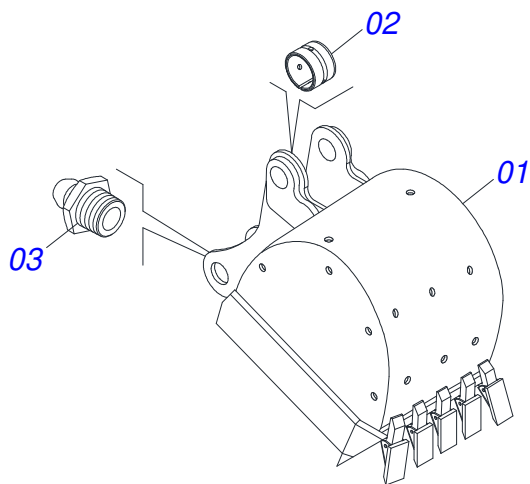
Item	Code	Description	See page
01	0501064948	3.75" X 29.7" CYLINDER CASE	01
02	0501069050	HYDRAULIC CYLINDER TURNBUCKLE	01
03	0502010761	MOBILE COVER	01
04	0502010840	2" X 3.4" RING SUPPORT	01
05	0503010039	D-2000 SCRAPER RING	01
06	0503010991	1870-2000-375-B GASKET	01
07	0503010952	W2-2250-500 RING	01
08	0503010976	2-336 N 3006-9B O'RING	01
09	0503010345	2-218 N 3006-9B O'RING	01
10	0502010844	2.0" X 3.3" PISTON	01
11	0503010170	PACKING 3120 2750	02
12	0503010948	W4-3346-590 PK RING G.E	01
13	0503010063	1" SELF-ALIGNING NUT	01
14	0503010002	1800 GREASE FITTING	02



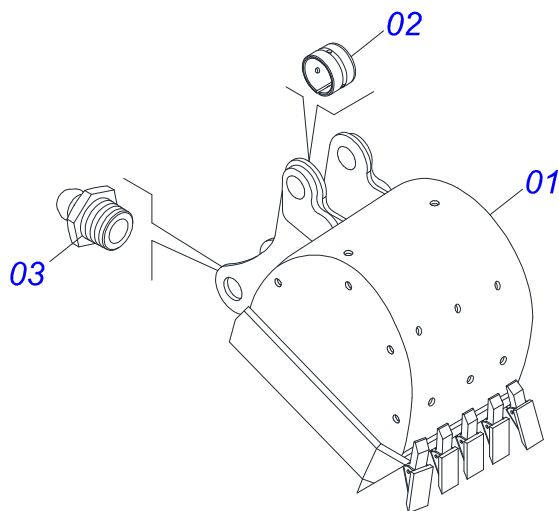
Item	Code	Description	See page
01	0501064922	3.37" X 16.22" CYLINDER CASE	01
02	0501064928	2" TURNBUCLE	01
03	0502010761	MOBILE COVER	01
04	0502010840	2" X 3.4" RING SUPPORT	01
05	0503010039	D-2000 SCRAPER RING	01
06	0503010991	1870-2000-375-B GASKET	01
07	0503010952	W2-2250-500 RING	01
08	0503010976	2-336 N 3006-9B O'RING	01
09	0503010345	2-218 N 3006-9B O'RING	01
10	0502010844	2.0" X 3.3" PISTON	01
11	0503010170	PACKING 3120 2750	02
12	0503010948	W4-3346-590 PK RING G.E	01
13	0503010063	1" SELF-ALIGNING NUT	01
14	0503010002	1800 GREASE FITTING	02



Item	Code	Description	See page	QT
01	0501064691	12 RTAC BUCKET		01
02	0521010470	SLEEVE		02
03	0503010003	1845 GREASE FITTING		01

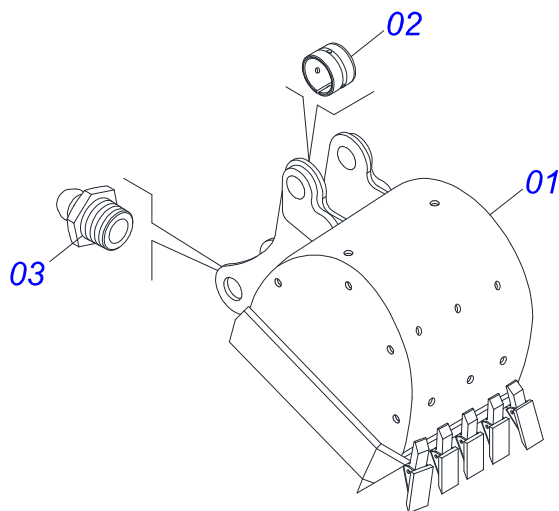


Item	Code	Description	See page	QT
01	0501064693	BUCKET		01
02	0521010470	SLEEVE		02
03	0503010003	1845 GREASE FITTING		01

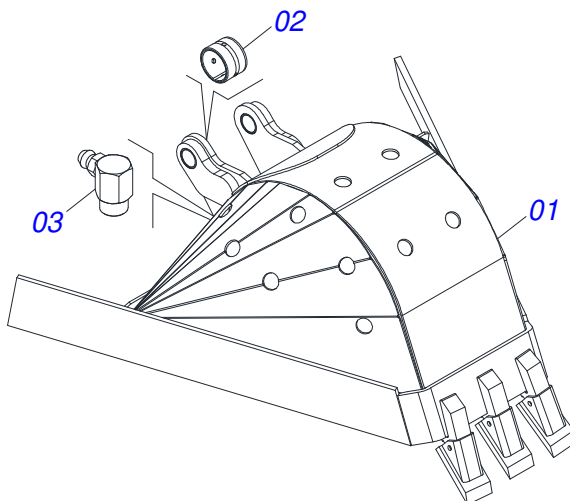


Item	Code	Description	See page	QT
01	0501064694	BUCKET		01
02	0521010470	SLEEVE		02
03	0503010003	1845 GREASE FITTING		01

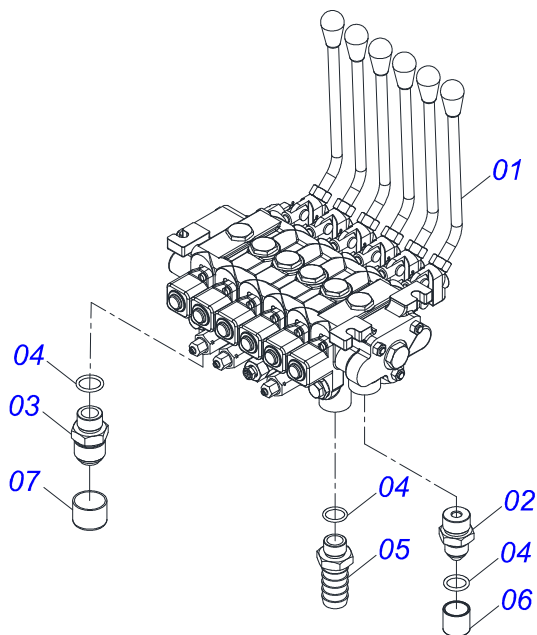




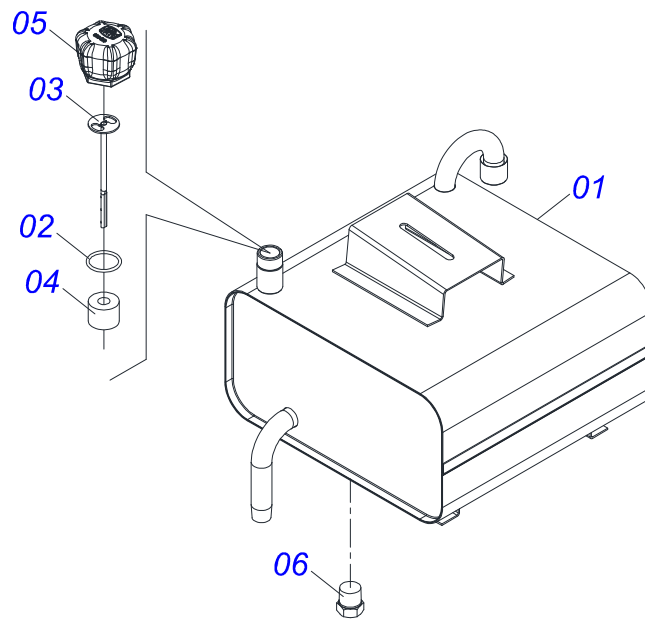
Item	Code	Description	See page	QT
01	0501064695	BUCKET		01
02	0521010470	SLEEVE		02
03	0503010002	1800 GREASE FITTING		01



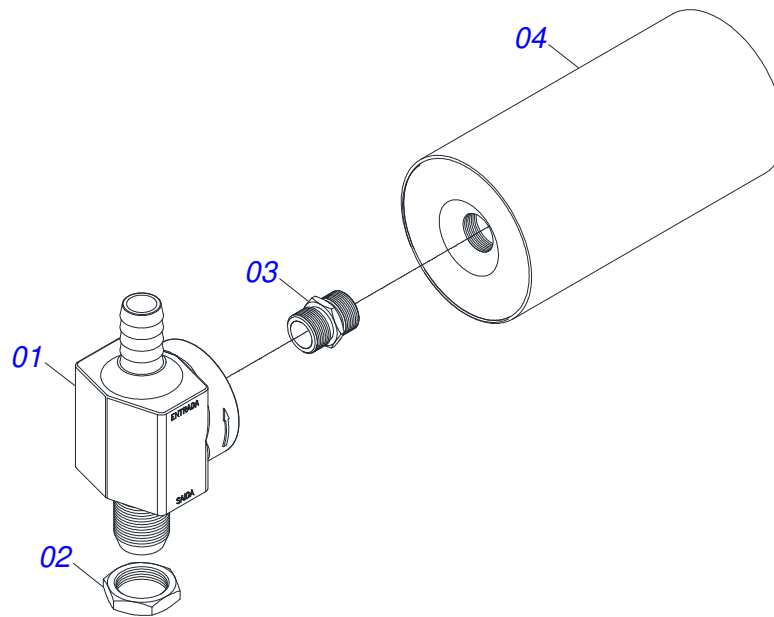
Item	Code	Description	See page	QT
01	0501065082	BUCKET		01
02	0521010470	SLEEVE		02
03	0503010003	1845 GREASE FITTING		01



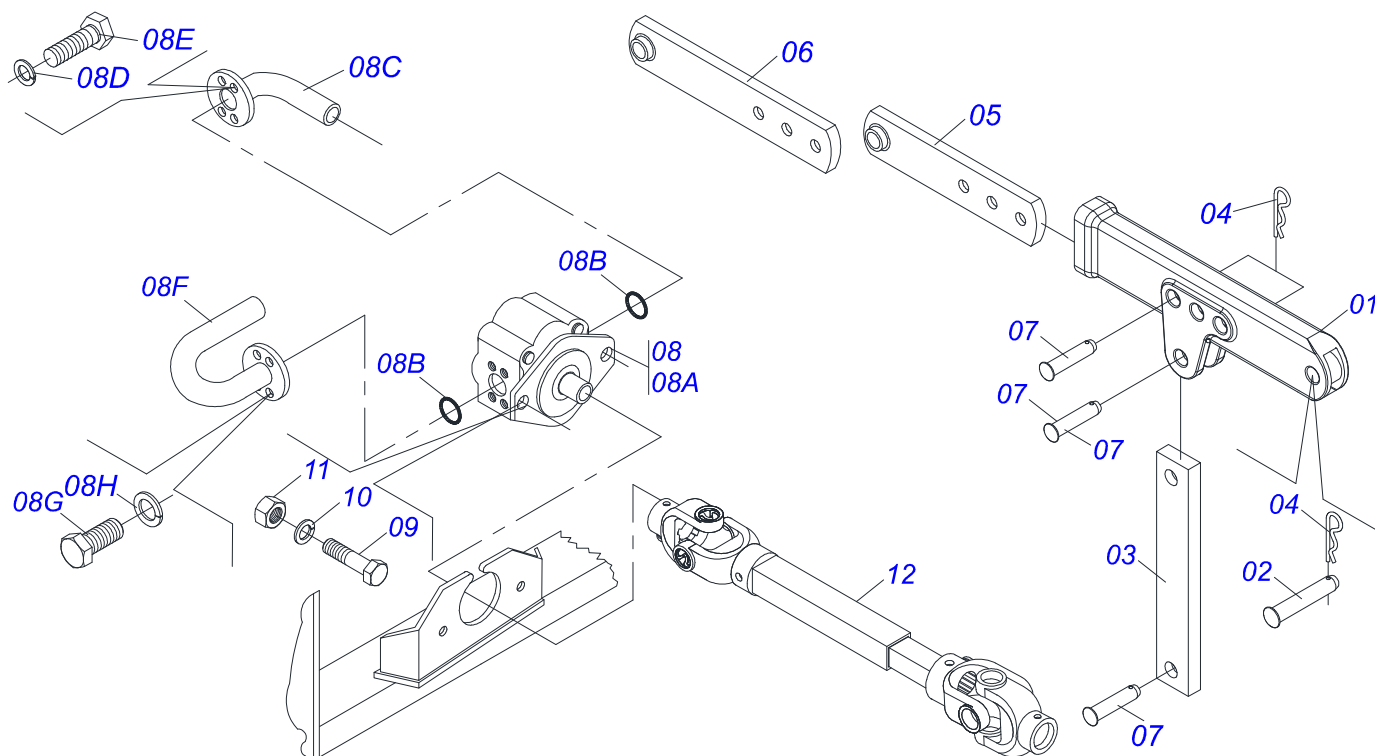
Item	Code	Description	See page	QT
01	0503060095	COMMAND HEX DOUBLE		01
02	0511010111	7/8" NIPPLE		12
03	0551011253	R1.1/16 JICX7/8 SAE S1.1/8X50 NIPPLE		01
04	0503010045	O'RING		14
05	0501011806	1" HOSE NIPPLE		01
06	0503030385	CYLINDER PLUG N-002		12
07	0503030388	PLUG N-005		01



Item	Code	Description	See page	QT
01	0501068887	RESERVOIR OIL		01
02	0503010185	2-221 N 3006-9B O'RING		01
03	0501060975	OIL GAGE		01
04	0503030044	FILTERING ELEMENT		01
05	0502020472	FRONTAL COVER		01
06	0503031604	1/2" BSP PLUG		01

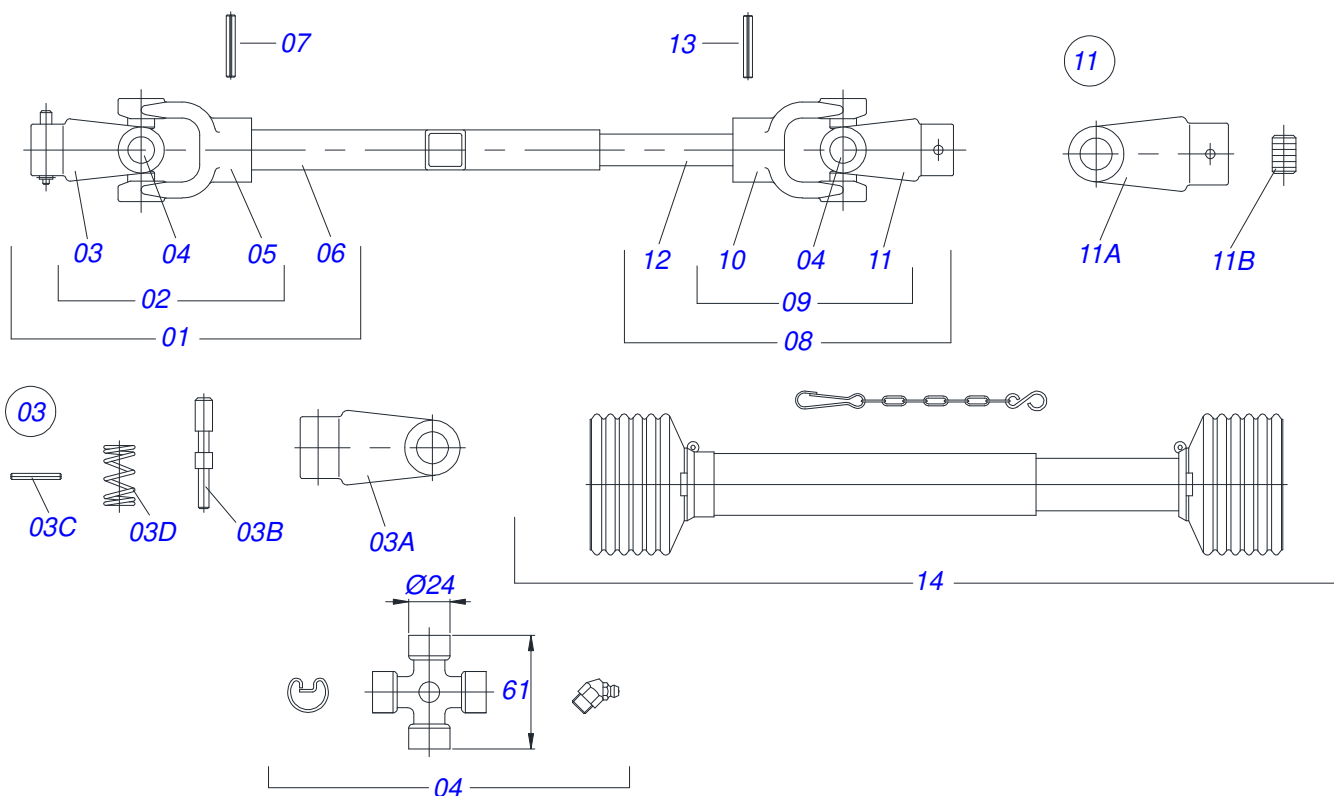


Item	Code	Description	See page	QT
01	0502050002	RETURNING FILTER HEAD		01
02	0501010594	1" NUT		01
03	0501010595	1" NF NIPPLE		01
04	0503010183	RETURNING FILTER		01

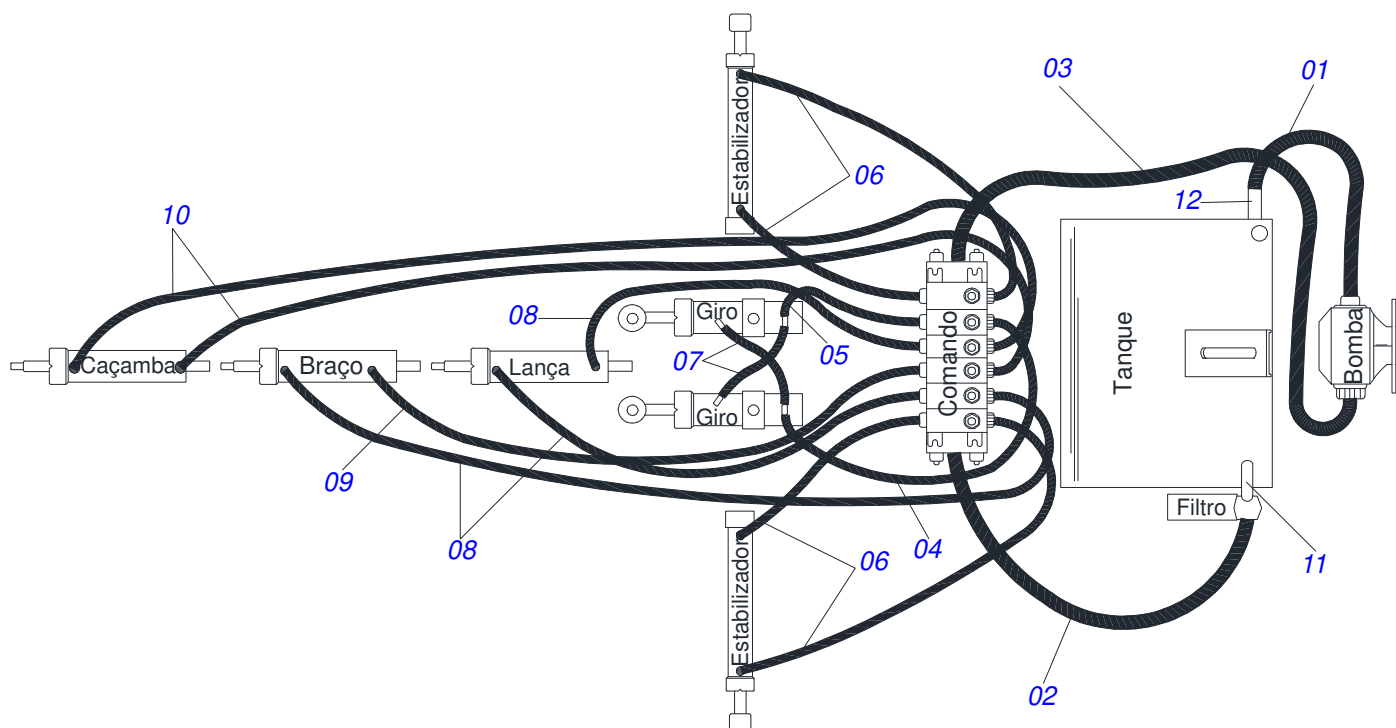


Item	Code	Description	See page	QT
01	0502040832	GUIDE BAR ADJUSTMENT		01
02	0521010578	COUPLING SHAFT		01
03	0511011260	SUPPORT BAR		01
04	0503031035	HAIR PIN		04
05	0501065063	ADJUSTMENT BAR		01
06	0501064744	ADJUSTMENT BAR		01
07	0521010575	C0.9" X 3.3" COUPLING SHAFT		03
08	0501044148	PUMP GEAR ASSY		01
08A	0503060189	HYDRAULIC PUMP		01
08B	0503010173	2-220 N 3006-9B O'RING		02
08C	0501065854	PUMP SUCTION TUBE		01
08D	0503010180	7/16" SPRING WASHER		02
08E	0503010355	7/16" X 1" BOLT		02
08F	0501065853	PUMP PRESSURE TUBE		01
08G	0503010025	3/8" SPRING WASHER		02
08H	0503010237	3/8" X 1" BOLT		01
09	0501010077	1/2" X 2" BOLT		02
10	0503010019	1/2" SPRING WASHER		02
11	0503010020	1/2"NUT		02
12	0501044149	CARDAN	18	01

CARDAN



Item	Code	Description	See page
01	0501050856	SLEEVE UNIVERSAL JOINT	01
02	0501050263	UNIVERSAL JOINT	01
03	0501050332	1-20 TERMINAL	01
03A	0502010561	1-20 TERMINAL	01
03B	0521010637	0.5" X 3" COUPLING SHAFT	01
03C	0503010838	0.1" X 0.8" SPRING PIN	01
03D	0503030518	0.5"X1.0"X 0.1" COMPRESSION SPRING	01
04	0503010835	CARDAN CROSSPIECE	01
05	0502010559	2-20 TERMINAL	01
06	0511012101	0.9" X 15.75" SQUARE SLEEVE	01
07	0503010839	03"X 0.6" SPRING PIN	01
08	0501050858	UNIVERSAL JOINT WITH AXLE	01
09	0501050629	UNIVERSAL JOINT	01
10	0502010562	3-20 TERMINAL	01
11	0501052550	T10-20 TERMINAL WITH SCREW	01
11A	0502010886	10-20 TERMINAL	01
11B	0503011148	3/8" X 1/2" BOLT	01
12	0511012100	0.9" X 15.75" SQUARE SHAFT	01
13	0503010301	0.3" X 1.8" SPRING PIN	01
14	0503013382	PROTECTION ASSY	01



Item	Code	Description	See page	QT
01	0501014844	AB-AB HOSE ASSY		01
02	0501019999	AB-AB HOSE ASSY		01
03	0501080099	HOSE 3/4 X 1300 TR-TC 1G138643		01
04	0501080105	TR-TR HOSE ASSY		01
05	0501080106	TR-TR HOSE ASSY		01
06	0501080373	TR-TR HOSE ASSY		04
07	0501080150	HOSE ASSY		02
08	0501080379	TR-TR HOSE ASSY		03
09	0501080372	TR-TR HOSE ASSY		01
10	0501080289	TR-TR HOSE ASSY		02
11	0503010184	CLAMP		02
12	0503010243	CLAMP		02





# ANNOTATION

A series of horizontal lines for writing, consisting of 20 evenly spaced lines that span most of the width of the page.





**MARCHESAN**

**Technical Publications | Elaboration and Revision**  
JOSÉ DOMINGOS GASPARI

[www.marchesan.com.br](http://www.marchesan.com.br)

