

PARTS CATALOGUE



OFFSET DISK HARROW

Code:

0501091150

Product:

GAICR 20/24/28D - AXIS 1.3/4"



Series:

S-0791

Revision:

00

Date Revision:

JANEIRO/2021



PRODUCTS

Code	Description
0102262407C	GAICR 20 X 28 X 7,5 DM FF C/PROT 1.3/4 EXP S-0791
0102262407	GAICR 20 X 28 X 7,5 DM FF C/PROT EIXO 1.3/4 S-0791
0102260165C	GAICR 24 X 28 X 7,5 DM C/PROT EIXO1.3/4 EXP S-0791
0102262404	GAICR 24X28X7,5 DM C/PROT 1.3/4 S/RODA/PN S-0791
0102260511	GAICR 24X28X7,5DM 1.3/4 S-0791
0102260165	GAICR 24X28X7,5DM C/PROT 1.3/4 S791
0102262405	GAICR 28X28X7,5 DM C/PROT 1.3/4 PN 400/60 S0791
0102260171C	GAICR 28X28X7,5 DM DR C/PROT 1.3/4 EXP S791
0102260512	GAICR 28X28X7,5DM 1.3/4 S-0791
0102260171	GAICR 28X28X7,5DM C/PROT 1.3/4 S791

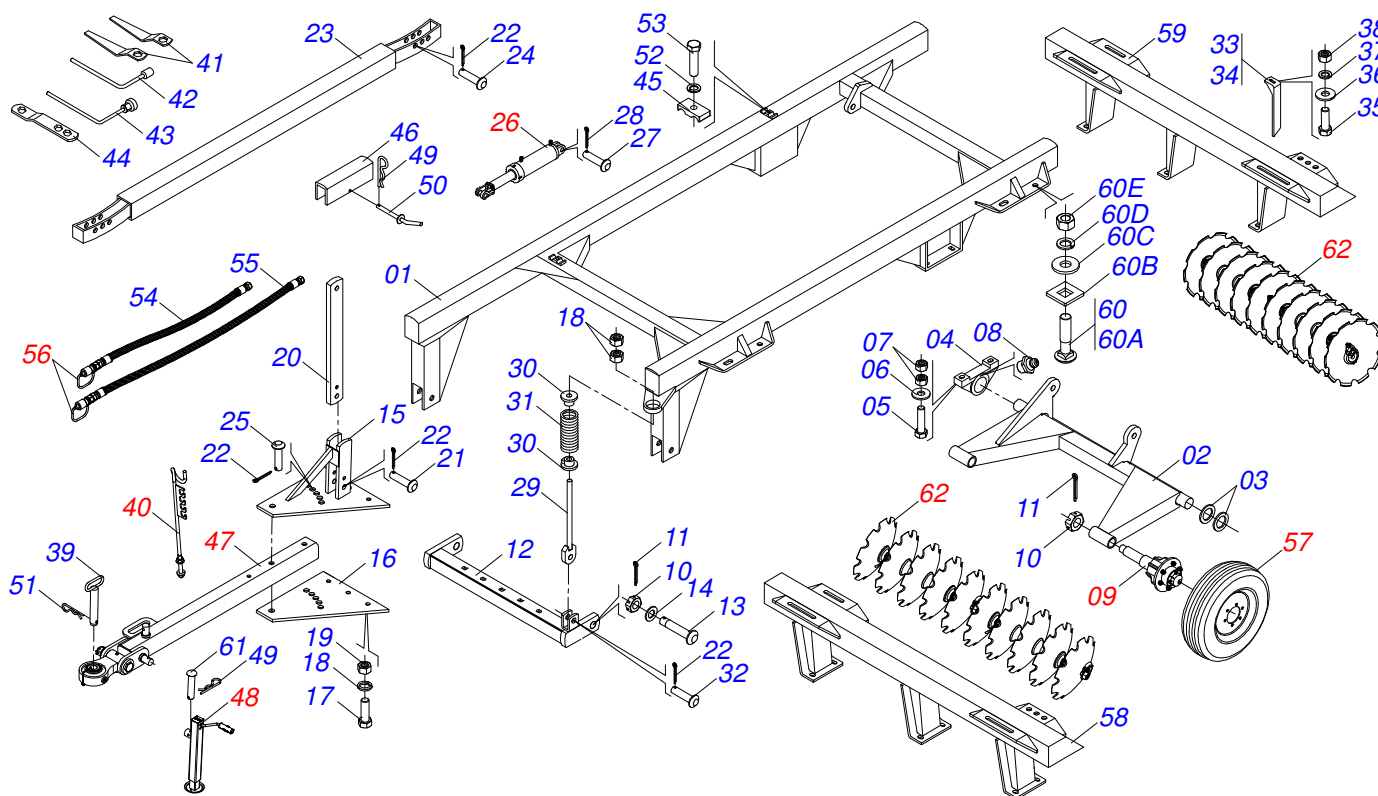
ATTENTION: IMPORTANT

Marchesan S.A. reserves the right to improve and / or modify the technical features of its products, without obligation to do the same with those products already sold and without prior knowledge of the dealer or the consumer.



INDEX

0909095555	ASSY FRAME	1
0501051634	TSTUB SHAFT & HUB ASSY	2
0501051142	CARRYING WHEEL HUB	3
0501048420	HYDRAULIC CYLINDER	4
0501040257	3/4 X 1200 HOSE HOLDER A	5
0521048502	ASSY TRACTION BAR	7
0521057520	HITCH ASSY	8
0503062157	HEADER JACK	9
0501053834	MALE QUICK COUPLER WITH CAP - 1/2 NPT	10
0503060091	L29.5"X0.63"-10L WHEEL AND	11
0503060102	WHEEL AND TIRE	12
0909090656	GANG DISC 20/24/28D - AXI 1.3/4	14
0501043008	262 1.3/4 OIL BATH BEARING	15



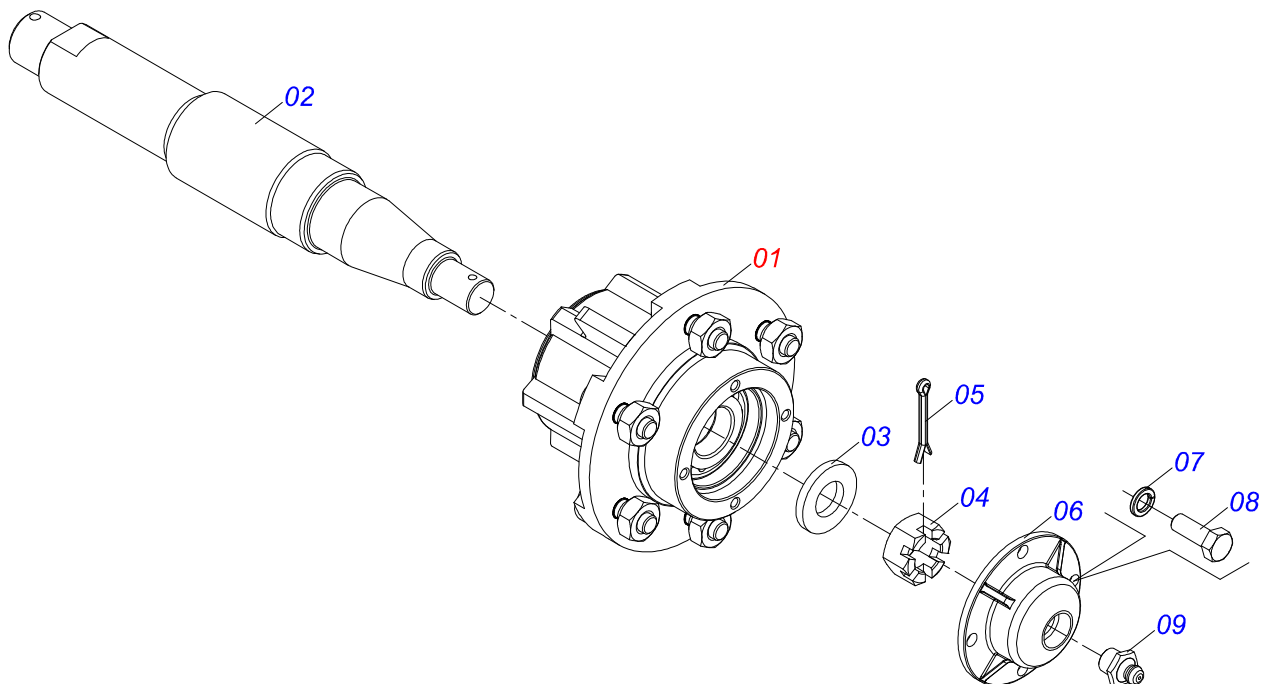
Item	Code	Description	See page	20	24	28
01	0501064754	FRAME		01	01	01
01.	0501067290	CENTER FRAME		00	00	01
02	0501065518	CARRYING-WHEELS		01	01	01
02.	0501067244	WHEELS		00	00	01
03	0501017579	FLAT WASHER		02	02	02
04	0501110856	ARTICULACION BEARING		02	02	02
05	0503010797	3/4" X 4" BOLT		04	04	04
06	0501010322	FLAT WASHER		04	04	04
07	0503010014	3/4" NUT		08	08	08
08	0503010002	1800 GREASE FITTING		04	04	04
09	0501051634	TSTUB SHAFT & HUB ASSY	2	02	02	02
10	0501011301	1.1/2 UNC 6FPP 2.5/16 NUT		02	02	02
11	0503010010	1/4" X 2.1/2" COTTERPIN		02	02	02
12	0501066262	OFFSET BAR		01	01	01
13	0521017538	11-1/2" X 5" COUPLING SHAFT		02	02	02
14	0511019880	FLAT WASHER		02	02	02
15	0501066235	UPPER PLATE WITH SUPPORT		01	01	01
16	0511013000	UPPER /LOWER PLATE		01	01	01
17	0501010334	1" X 7" BOLT		04	04	04
18	0503011438	SPRING WASHER		04	04	04
19	0501010059	1.5/8 NUT		06	06	06
20	0511012972	TSTABILIZER BAR TOWER		01	01	01
21	0521010576	0.9" X 3.7" COUPLING SHAFT		01	01	01
22	0503010571	1/4" X 1.1/2 COTTERPIN		05	05	05
23	0511066932	CSTABILIZER BARCOTTERPIN		01	01	01
24	0521010575	C0.9" X 3.3" COUPLING SHAFT		02	02	02
25	0521012534	0.9" X 6.1" AXLE		01	01	01
26	0501048420	HYDRAULIC CYLINDER	4	01	01	01
27	0521012538	1.2" X 3.5" COUPLING SHAFT		02	02	02
28	0503010523	1/4" X 2" COTTERPIN		02	02	02
29	0501064698	SPRING ROD		01	01	01



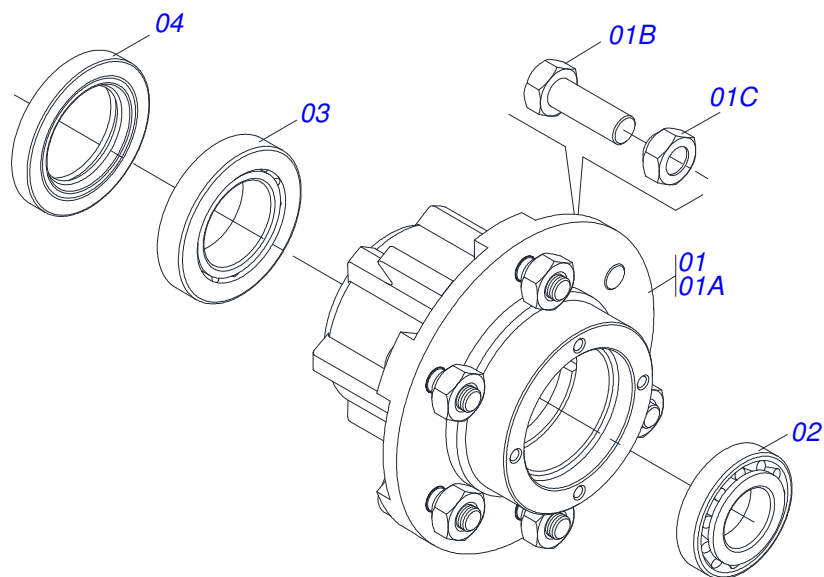
ASSY FRAME

0909095555

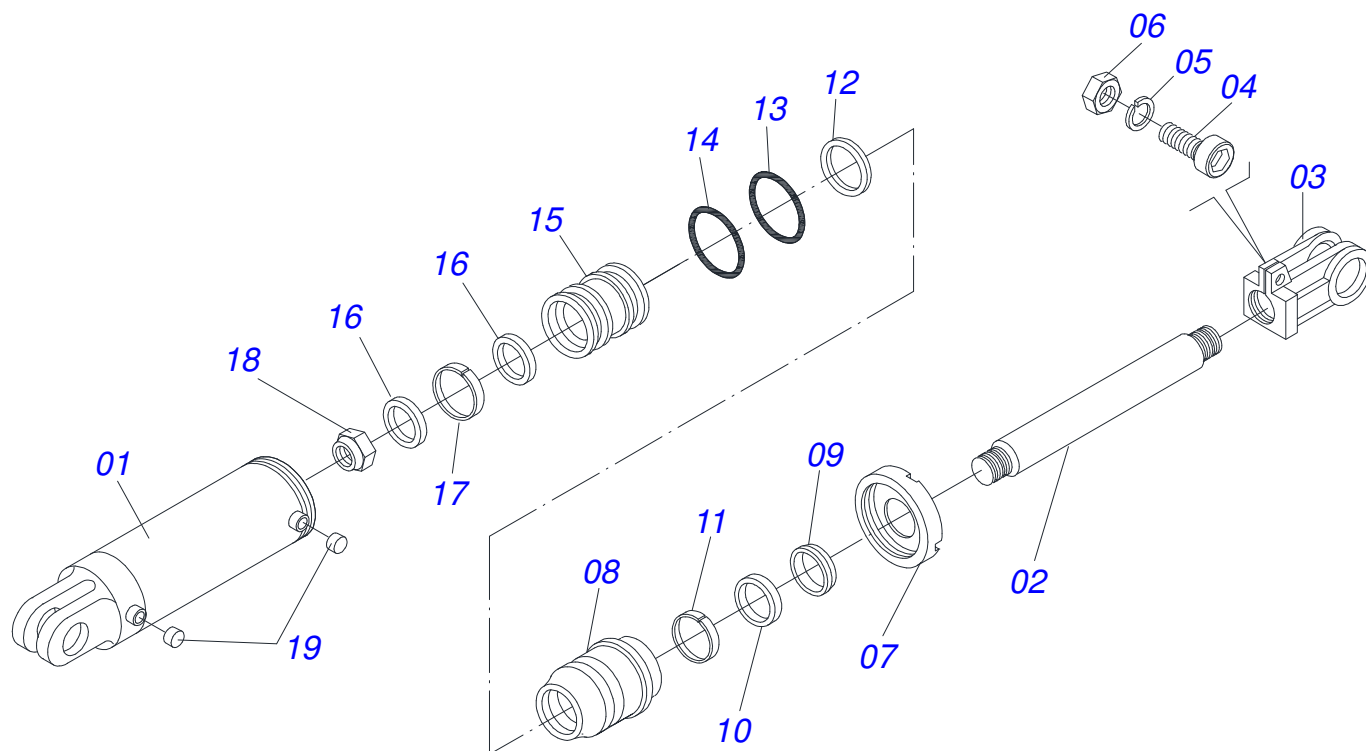
Item	Code	Description	See page	20	24	28
30	0502020392	SPRING SUPPORT		02	02	02
31	0503030441	12.7" X 5.7" X 0.5" SPRING		01	01	01
32	0521010592	1.1" X 3.1" COUPLING SHAFT		01	01	01
33	0501064168	REAR SCRAPER		05	07	09
34	0501064167	REAR SCRAPER		05	07	09
35	0503011082	C1/2" X 1.3/4" SCREW		20	28	36
36	0511017302	FLAT WASHER		20	28	36
37	0503010019	1/2" SPRING WASHER		20	28	36
38	0503010060	1/2" NUT		20	28	36
39	0501069080	COUPLING SHAFT		01	01	01
40	0501040257	3/4 X 1200 HOSE HOLDER A	5	01	01	01
41	0501011431	1-3/4" GANG BOLT WRENCH		02	02	02
42	0503016140	3/4" WRENCH CABLE CYLINDRICAL		01	01	01
43	0501061617	1" GANG BOLT WRENCH		01	01	01
44	0511018451	5/8" X 3/4" X 1" UNIVERSAL		01	01	01
45	0502012702	BODY SUPPORT CLAMP		02	02	02
46	0511010839	TRANSPORT LOCK 7.9" X 2.1" X 0.4"		01	01	01
47	0521048502	ASSY TRACTION BAR	7	01	01	01
48	0503062157	HEADER JACK	9	01	01	01
49	0503030168	HAIR PIN		02	02	02
50	0501068994	0.3" X 3.1" LOCK PIN		01	01	01
51	0503031035	HAIR PIN		01	01	01
52	0503010180	7/16" SPRING WASHER		02	02	02
53	0503012555	SCREW 7/16 UNC X 2 CS RT G.7 ZN		02	02	02
54	0501080443	3/8" X 236" TR-TM HOSE		01	01	01
55	0501080421	3/8" X 230" TR-TM HOSE ASS		01	01	01
56	0501053834	MALE QUICK COUPLER WITH CAP - 1/2 NPT	10	02	02	02
57	0503060091	L29.5"X0.63"-10L WHEEL AND	11	02	02	02
57.	0503060102	WHEEL AND TIRE	12	00	00	02
58	0501065146	FRONT FRAME		01	00	00
58.	0511066881	FRONT FRAME GAICR 24 AUST		00	01	00
58..	0501065148	FRONT FRAME		00	01	00
58...	0501066810	FRONT FRAME		00	00	01
58....	0511066883	FRONT FRAME		00	00	01
59	0501065147	REAR FRAME		01	00	00
59.	0511066882	REAR FRAME		00	01	00
59..	0501065149	REAR FRAME		00	01	00
59...	0501066811	REAR FRAME		00	00	01
59....	0511066884	REAR FRAME		00	00	01
60	0501040877	C1" X 3-1/4" ASSY BOLT		08	08	08
60A	0501014309	C1" X 3-1/4" BOLT		08	08	08
60B	0501010951	1" SQUARE WASHER		08	08	08
60C	0501010065	1" SPRING WASHER		08	08	08
60D	0503011438	SPRING WASHER		08	08	08
60E	0501010059	1.5/8 NUT		08	08	08
61	0521010549	COUPLING SHAFT		01	01	01
62	0909090656	GANG DISC 20/24/28D - AXI 1.3/4	14	01	01	01



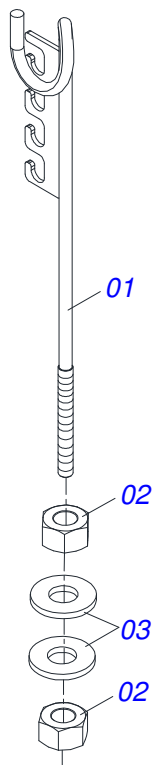
Item	Code	Description	See page	QT
01	0501051142	CARRYING WHEEL HUB	3	01
02	0521010821	2.5" X 16.5" AXLE		01
03	0501016545	FLAT WASHER		01
04	0503030009	1" CASTLE NUT		01
05	0503010018	5/32 X 1-1/2 COTTERPIN		01
06	0502020591	PROTECCION COVER		01
07	0503011444	SPRING WASHER		04
08	0503010358	5/16" X 5/8" BOLT		04
09	0503010002	1800 GREASE FITTING		01



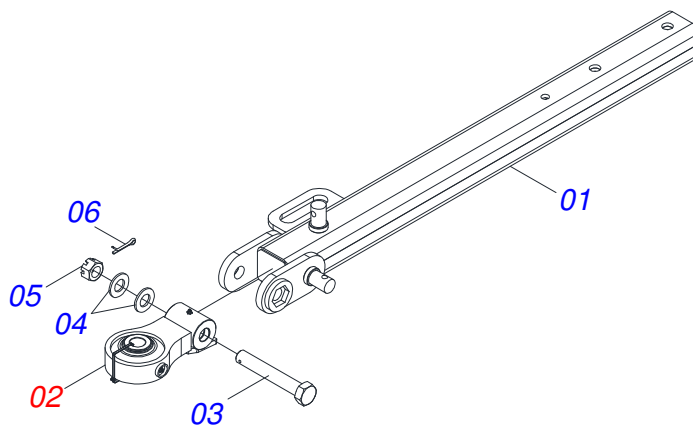
Item	Code	Description	See page	QT
01	0501110728	WHEEL HUB		01
01A	0502011121	CARRYING WHEEL HUB		01
01B	0501010127	9/16" X 1-7/8" LUG BOLT		06
01C	0503010035	9/16" CONIC NUT		06
02	0503010037	30207 ROLLER BEARING		01
03	0503010006	32210 ROLLER BEARING		01
04	0503012928	SEAL		01



Item	Code	Description	See page	QT
01	0501069906	4" X 16" CYLINDER CASE		01
02	0521010422	HYDRAULIC CYLINDER TURNBUCKLE		01
03	0502040747	32.54 CLEVIS CLAMP		01
04	0503011094	3/8" X 2" BOLT		01
05	0503010025	3/8" SPRING WASHER		01
06	0503010026	3/8" NUT		01
07	0502010017	4" HEAD		01
08	0502010778	2" X 4.2" RING SUPPORT		01
09	0503010039	D-2000 SCRAPER RING		01
10	0503010991	1870-2000-375-B GASKET		01
11	0503010952	W2-2250-500 RING		01
12	0503011061	8-342 BACK-UP RING		01
13	0503010338	2-342 N 3006-9B O'RING		01
14	0503010345	2-218 N 3006-9B O'RING		01
15	0502010992	2.0" X 4.0" PISTON		01
16	0503010043	PACKING 3750-3250		02
17	0503010994	W2-4000-500 PK RING G.E		01
18	0503010817	1.1/4" SELF LOCKING NUT		01
19	0503030385	CYLINDER PLUG N-002		02
20	0501031799	HYDRAULIC CYLINDER REPAIR KIT		01

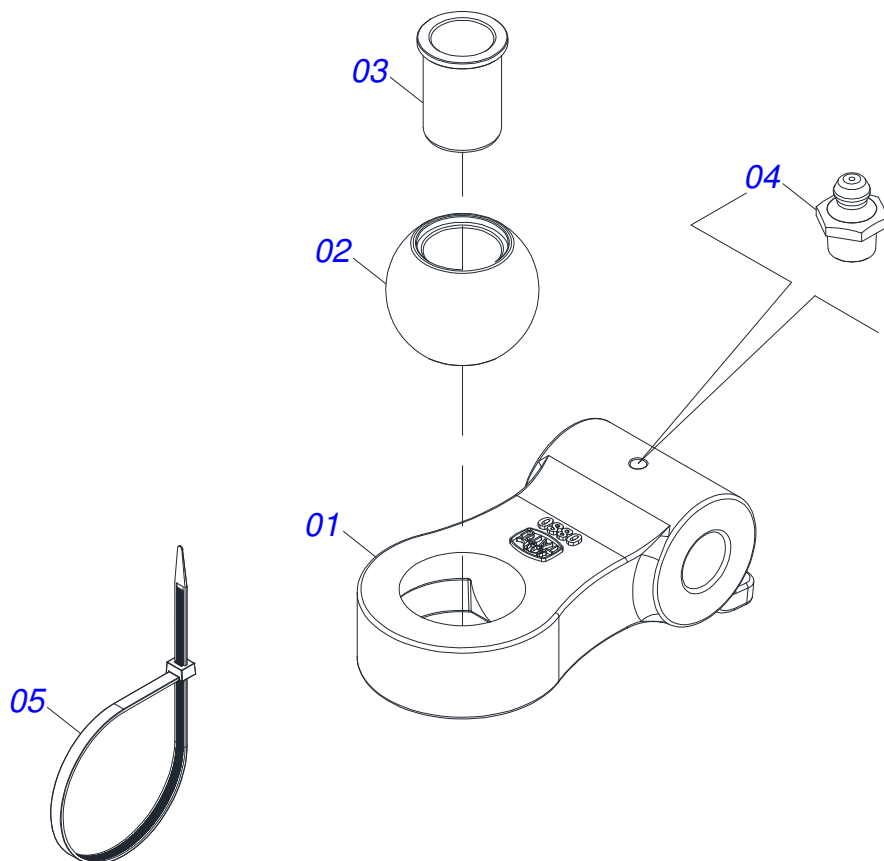


Item	Code	Description	See page	QT
01	0511067334	HOSE SOPPORT ASSY		01
02	0503010014	3/4" NUT		02
03	0501010322	FLAT WASHER		02

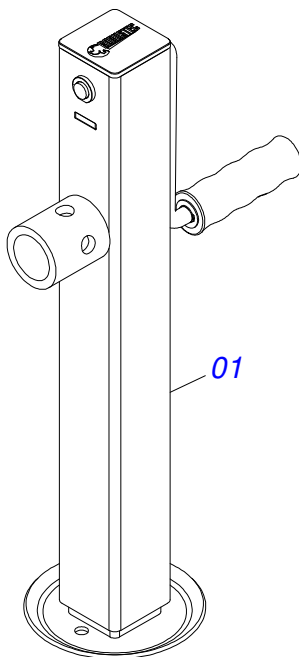


Item	Code	Description	See page	QT
01	0521069165	DRAWBAR ASSY		01
02	0521057520	HITCH ASSY	8	01
03	0581015973	1.1/4 UNC X 8 C S G5 SCREW		01
04	0501017779	32 X 60 X 4.75 FLAT WASHER		02
05	0503013026	1.1/4" CASTLE NUT		01
06	0503010010	1/4" X 2.1/2" COTTERPIN		01

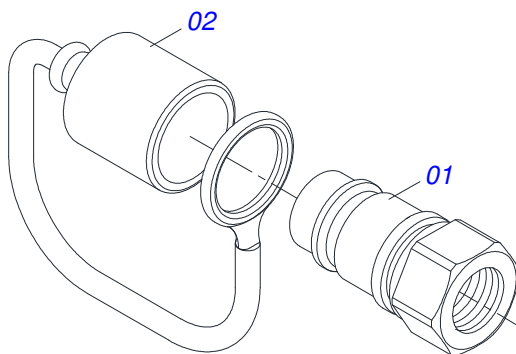
HITCH ASSY



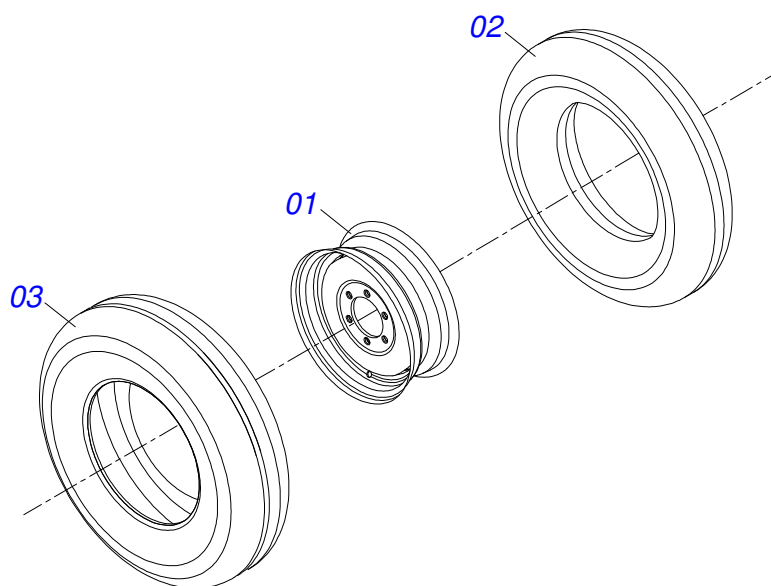
Item	Code	Description	See page	QT
001	0502040880	HITCH BODY		01
002	0502040885	BODY ATTACHMENT		01
003	0591012511	SLEEVE		01
004	0503010002	1800 GREASE FITTING		01
005	0503018829	NYLON CLAMP		01



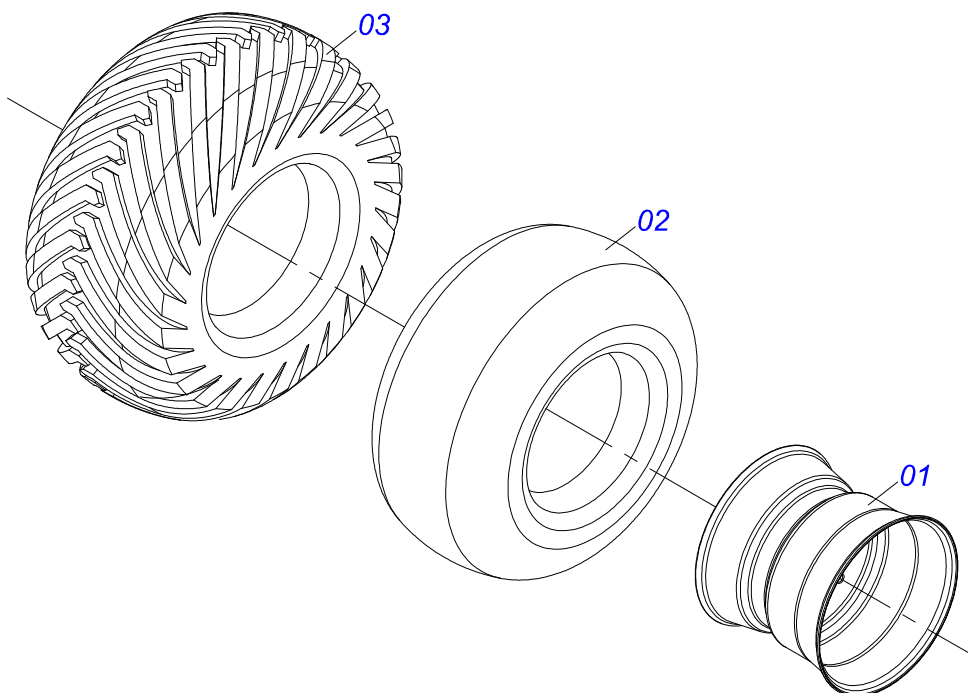
Item	Code	Description	See page	QT
01	0503062157	HEADER JACK	9	01



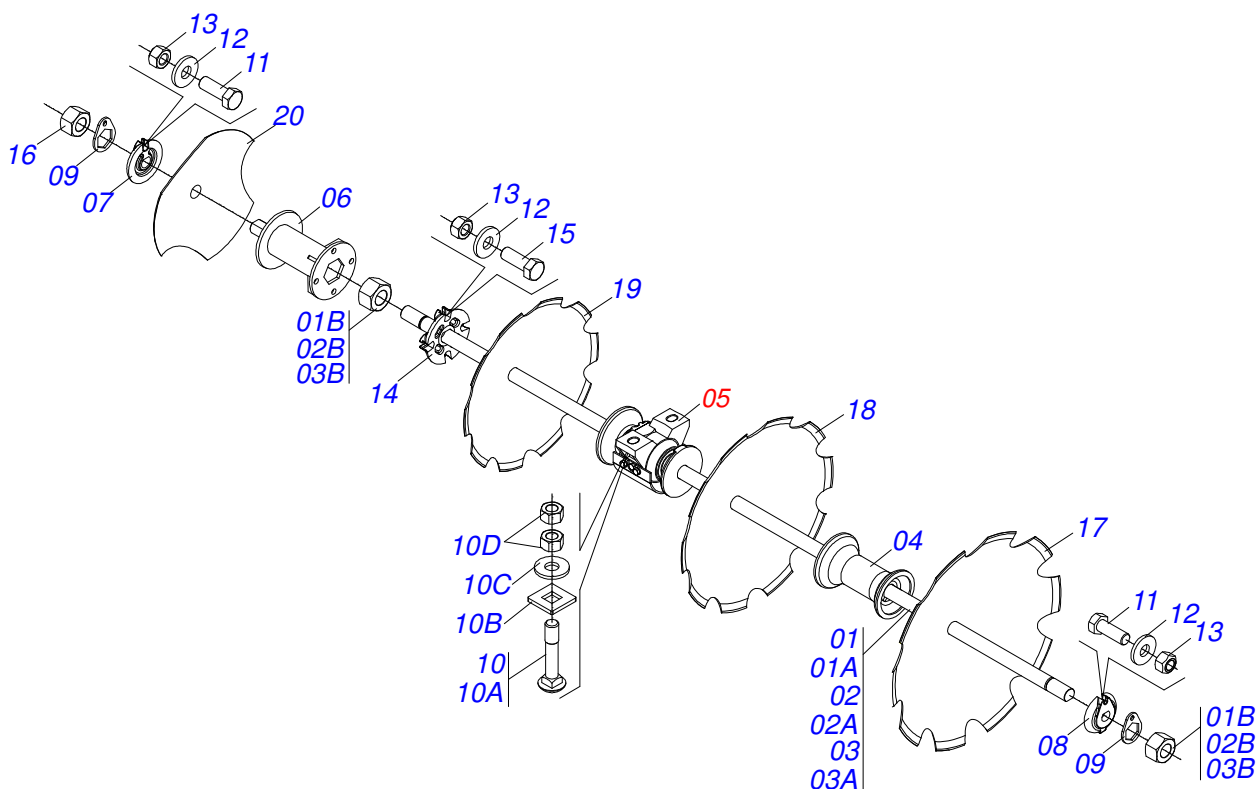
Item	Code	Description	See page	QT
01	0503011627	MALE QUICK COUPLER AGR 1/2 NPT		01
02	0503011882	MALE QUICK COUPLER CAP		01



Item	Code	Description	See page	QT
01	0503010893	WHEEL		01
02	0503010033	7.50 X 16 INNER TIRE		01
03	0503010120	CANVAS TIRE		01



Item	Code	Description	See page	QT
001	0501069483	WHEEL		01
002	0503012112	400/60 - 15.5 TR 15 INNER TIRE		01
003	0503013119	CANVAS TIRE		01

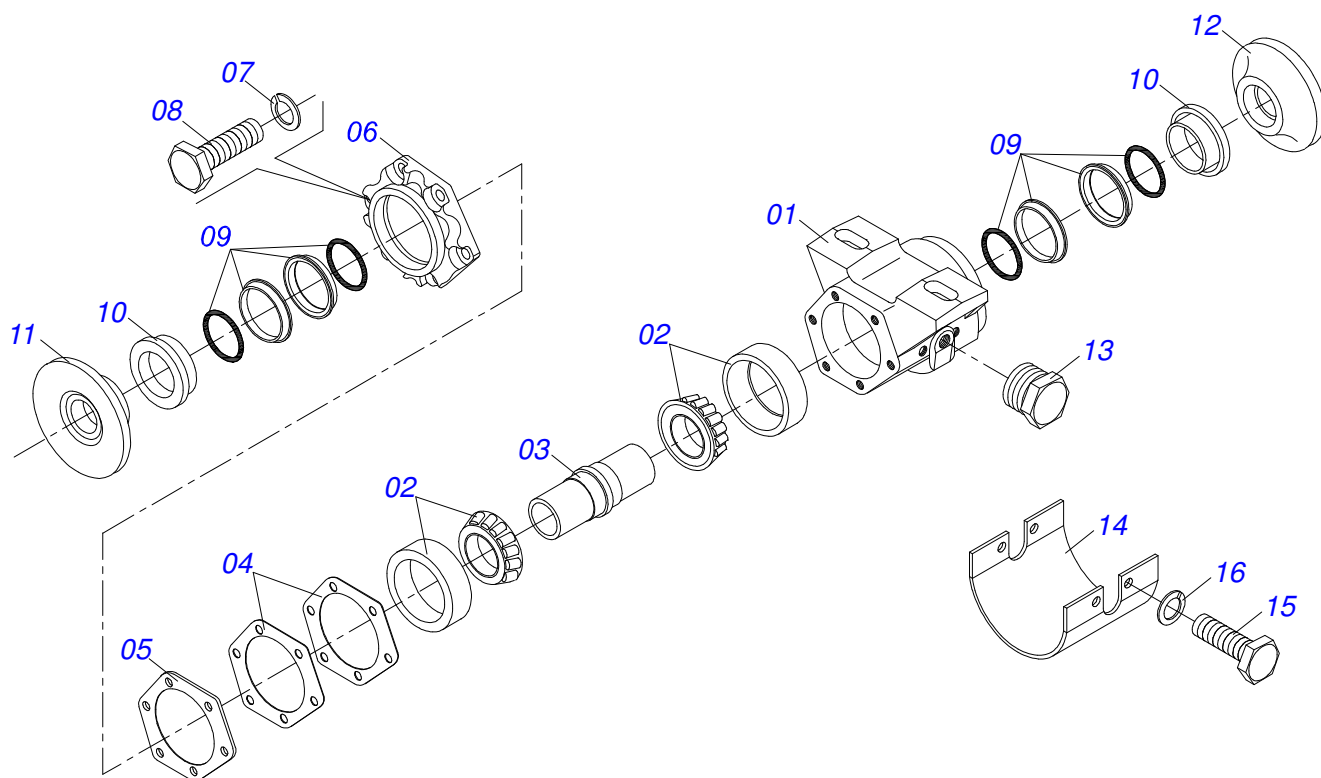


Item	Code	Description	See page	20	24	28
01	0501040360	1.3/4" X 1250 AXLE WITH NUT		04	00	00
01A	0501011425	1.3/4 X 1250 AXLE		01	00	00
01B	0501010333	1.3/4" NUT		02	00	00
02	0501040361	1.3/4 X 1520 AXLE WITH NUT		00	04	00
02A	0501011424	1,3/4" X 1520 AXLE		00	01	00
02B	0501010333	1.3/4" NUT		00	02	00
03	0501040362	1.3/4" X 1790 AXLE WITH NUTS		00	00	04
03A	0501011422	1.3/4 X 1790 AXLE		00	00	01
03B	0501010333	1.3/4" NUT		00	00	02
04	0502010400	263 SPACER		08	16	16
05	0501043008	262 1.3/4 OIL BATH BEARING	15	08	08	08
06	0521064053	SPACING 227 AXLE 1.3/4		01	01	01
07	0502012222	1-3/4" EXTERNAL AXLE WASHER		04	04	04
08	0502012221	1-1/2" INNER AXLE WASHER		04	04	04
09	0511014339	1-5/8" 2.8" NUT LOCK		08	08	08
10	0511040034	3/4" X 3-1/4" BOLT ASSY		16	16	16
10A	0501017303	3/4" X 3-1/4" BOLT		16	16	16
10B	0501010949	3/4" SQUARE WASHER		16	16	16
10C	0501010322	FLAT WASHER		16	16	16
10D	0503010014	3/4" NUT		32	32	32
11	0503011267	BOLT 5/8 UNC X 1.1/2 C S G.5 ZN		08	08	08
12	0503010027	5/8" SPRING WASHER		08	08	08
13	0503010013	5/8" NUT		08	08	08
14	0502012378	1-3/4"EXTERNAL AXLE WASHER		01	01	01
15	0503010232	5/8" X 1.3/4" BOLT		08	08	08
16	0501810333	1.3/4 NUT		01	01	01
17	0602037001	28" X 7,5MM NOTCHED DISC BLADE		18	22	26
18	0602033006	26" X 0.2" NOTCHED DISC BLADE		01	00	00
18.	0602033362	DR26X7,5 C90AF02FR46,04 10REC		00	01	01
19	0602030006	24" X 0.2" NOTCHED DISC BLADE		01	00	00
19.	0602030449	DR24X7,5 C66AF02FR1.13/16 10REC TT		00	01	01



GAICR 20/24/28D - AXIS 1.3/4"
GANG DISC 20/24/28D - AXI 1.3/4

Item	Code	Description	See page	20	24	28
20	0602029414	22" X 6 NOTCHED DISC BLADE		01	00	00
20.	0602029426	DR22X7,5 C63AF02FR46,04 03REC ROME		00	01	01



Item	Code	Description	See page	QT
01	0502020636	8.8" X 1-5/8" OIL HOUSING BEARING	01	
02	0503012819	ROLLER BEARING	02	
03	0502010824	AXLE CM/DM	01	
04	0503030030	5.6" X 4.4" X 0.01" GASKET	02	
05	0503030685	5.5" X 4.4" X 0.003" GASKET	01	
06	0502020161	WEAR PLATE BEARING	01	
07	0503010025	3/8" SPRING WASHER	06	
08	0503010237	3/8" X 1" BOLT	06	
09	0503030027	DUO-CONE SEAL	02	
10	0502010823	SEAL RETAINER	02	
11	0502040141	OUTER FLANGE	01	
12	0502040142	INNER FLANGE	01	
13	0503010856	OIL PLUG	02	
14	0521012933	BEARING WEAR PLATE	01	
15	0503010834	1/2 X 1 BOLT	04	
16	0503010019	1/2" SPRING WASHER	04	

ANNOTATION



Lined area for annotation with horizontal ruling lines.





www.marchesan.com.br



Technical Publications | Elaboration and Revision
JOSÉ DOMINGOS GASPARI