

ROW CROP PLANTERS

**PHL
(UP TO 03/2022)**

Code: 0501091137
Series: S-0114
Revision: 00
Date Revision: FEVEREIRO/2022

PARTS CATALOGUE



MARCHESAN



PRODUCTS

Code	Description
0111340008	PHL 5/2 E900 RD EXT S-0114
0111340015	PHL 5/3 E800 D/H RD EXT S-0114
0111340002	PHL 5/3 E900 RD EXT S-0114
0111340006	PHL 5/3 E900 RD EXT S-0114
0111340013	PHL 5/4 E700 MH RD INT S-0114
0111340009	PHL 5/4 E750 RD INT S-0114
0111340016	PHL 5/4 E800 D/H ROD INT S-0114
0111340005	PHL 5/4 E800 RD INT S-0114
0111340017	PHL 5/4 E900 D/H ROD INT S-0114
0111340001	PHL 5/4 E900 RD INT S-0114
0111340003	PHL 5/4 E900 RD INT S-0114
0111340004	PHL 5/5 E450 RD EXT S-0114
0111340018	PHL 5/5 E500 D/H ROD INT S-0114
0111340019	PHL 7/5 E700 MH ROD INT S-0114
0111340014	PHL 7/5 E700 ROD INT S-0114
0111340012	PHL 7/6 E700 D MH RD EXT S-0114
0111340011	PHL 7/6 E700 MH RD EXT S-0114
0111340010	PHL 7/6 E700 RD EXT S-0114
0111340007	PHL 7/7 E500 RD EXT S-0114

ATTENTION: IMPORTANT

Marchesan S.A. reserves the right to improve and/or modify the technical features of its products, without obligation to do the same with those products already sold and without prior knowledge of the dealer or the consumer. The photos are only illustrative.



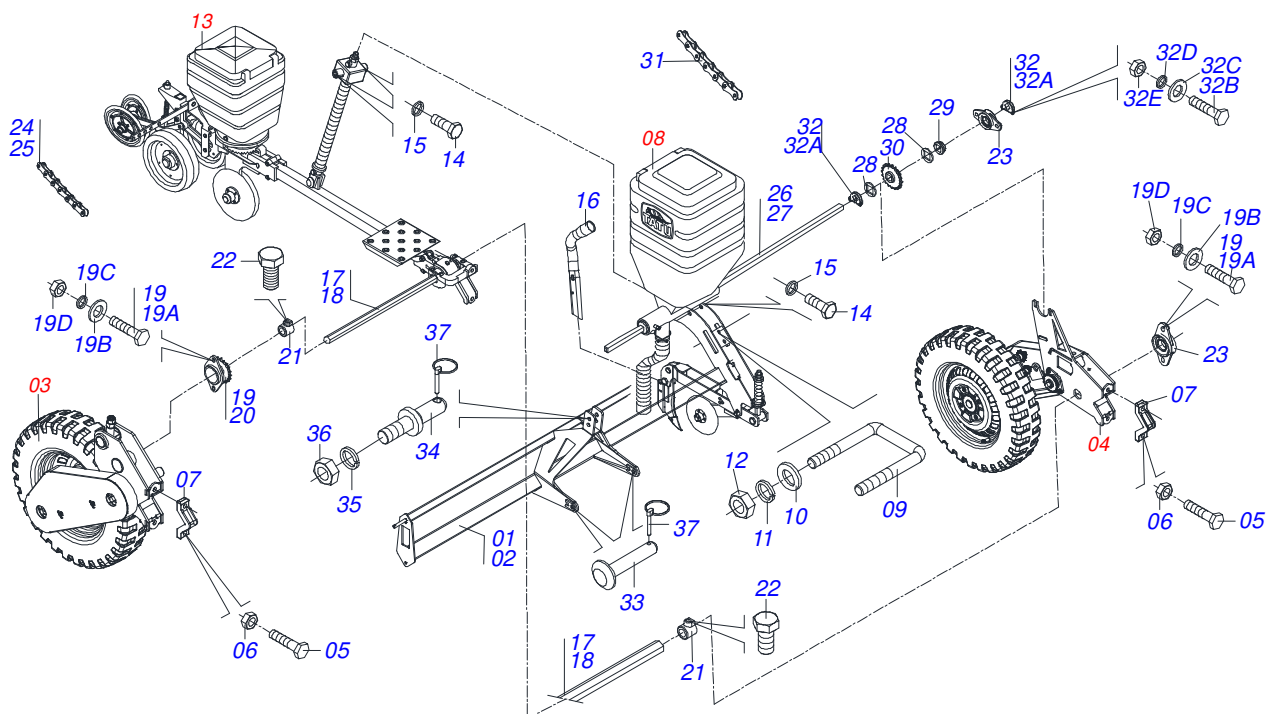
MARCHESAN

INDEX

0909090605	FRAME ASSY	1
0511054772	CARRYNG-WHEELS ASSY	2
0511054773	LH-CARRYNG-WHEELS ASSY	3
0501059985	RH WHEEL ARM	4
0501059986	LEFT WHEEL ARM	5
0909090611	FULL LINE SEED AND FERTILIZER	6
0909090608	FERTILIZER ROW ASSY	7
0909092366	LINE ASSEMBLY WITH SCARIFIER ROD DIRECT PLANTIO	8
0909092367	DISLOCATED DOUBLE DISK LINE SET CONVENTIONAL PLANT	9
0521043417	BLADE DISC SEMI MOUTED	10
0909090609	RIGTH THE LEFT SEED ROW	11
0501054992	DEPTH WHEEL V CONTROL ASSEMBLY	12
0501043613	DEPTH WHEEL	13
0501059329	WHEELS ASSY	14
0511054333	COMPACT WHEEL RIGHT WITH BEARING	15
0501052908	COMPACTOR WHEEL WITH BEARING	16
0909090610	DDD SEED 15 X 15 RIGHT AND LEFT	17
0909094700	SEED DISTRIB ASSY	18
0511059688	HYDRAULIC MARKER	19
0511058491	HYDRAULIC MARKER	20
0521040155	HYDRAULIC CYLINDER 31,75 X 50,8 X 365 X 595	21
0501054649	HBM SEQUENTIAL VALVE	22
0501050633	ROW MARKER DISK ASSEMBLY	23

FRAME ASSY

0909090605



Item	Code	Description	See page	05 07
01	0521064451	FRAME		01 00
02	0521065214	FRAME		00 01
03	0511054772	CARRYNG-WHEELS ASSY	2	01 01
04	0511054773	LH-CARRYNG-WHEELS ASSY	3	01 01
05	0503010762	SCREW 5/8 UNC X 3.1/2 CS G.5 ZN		07 09
06	0503012412	5/8 UNC SELF LOCKING NUT		07 09
07	0502010175	HITCH CLAMP		07 09
08	0909094442	FERTILIZER ROW ASSY		05 07
09	0521012324	1/2" X 3.2" X 2.54" FASTENER		05 07
10	0501013519	FLAT WASHER		05 07
11	0503010019	1/2" SPRING WASHER		05 07
12	0503010060	1/2" NUT		05 07
13	0909094443	RIGTH THE LEFT SEED ROW		05 07
14	0503010849	3/8" X 1-1/2" BOLT		10 14
15	0503010025	3/8" SPRING WASHER		14 14
16	0503030391	RIGHT FERTILIZER NOZZLE		05 07
17	0571015472	SHAFT HEX 5/8 X 2900		01 01
18	0571017094	SHAFT HEX 5/8 X 3900		02 02
19	0501053826	BEARING WITH 17Z GEAR		02 00
19A	0503010371	5/16" X 1" BOLT		05 05
19B	0501010694	FLAT WASHER		05 05
19C	0503010179	LOCK WASHER		05 05
19D	0503010337	5/16" NUT		05 05
20	0501052769	BEARING WITH 17Z GEAR		00 02
21	0502040534	SPRING GUIDE BUSHING LOCK		02 02
22	0503010834	1/2 X 1 BOLT		02 02
23	0501059313	AGRICULTURAL BEARING		03 03
24	0503013253	40-1 X CHAIN X 116 LINK+REDECTION		01 01
25	0503017052	40-1 X CHAIN X 37 LINK MENDING		01 01
26	0571014785	SQUARE SHAFT 3/4 X 3100		01 00
27	0571017093	SQUARE SHAFT 3/4 X 4100		00 01

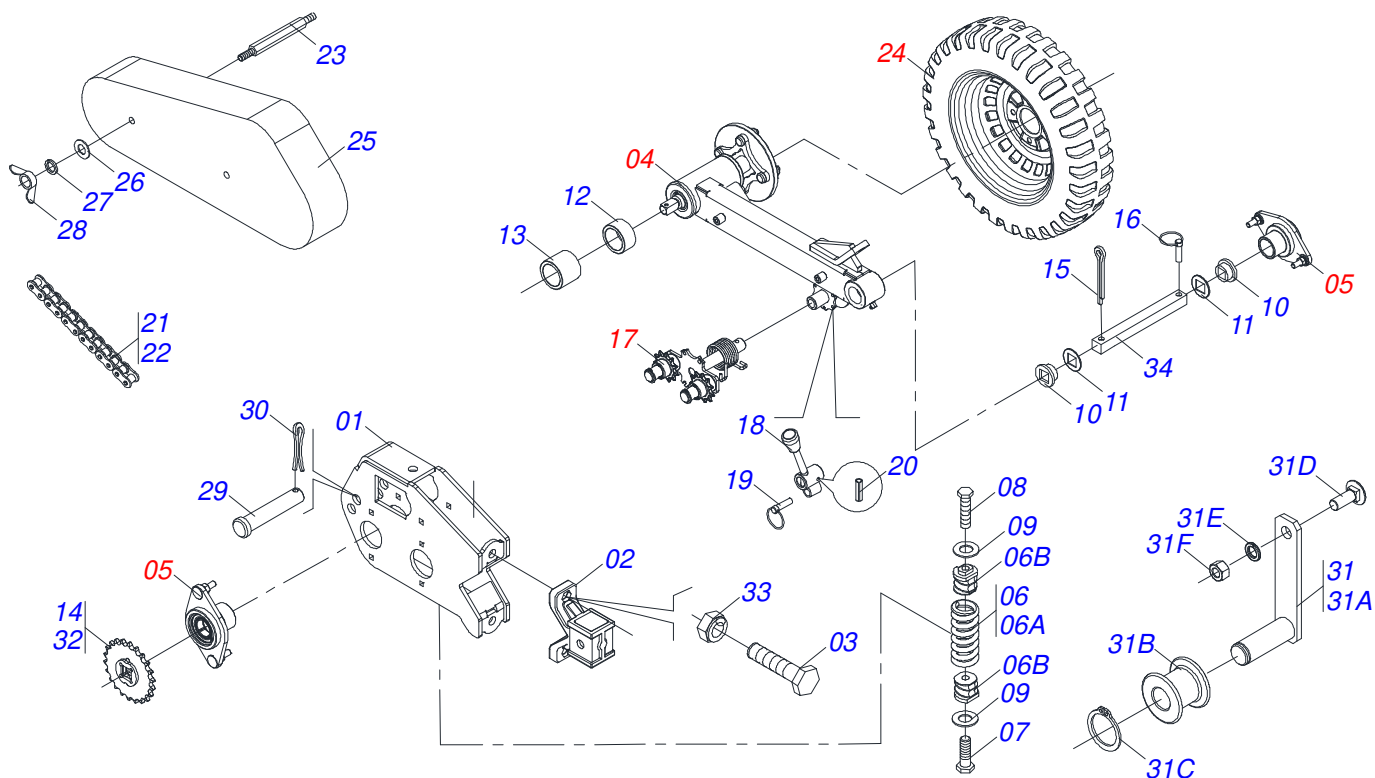


FRAME ASSY

0909090605

Item	Code	Description	See page	05 07
28	0521018630	1.4" X SQUARE 0.8" WASHER		02 02
29	0503030303	SUPPORT WASHER		01 01
30	0511065209	20Z GEAR		01 01
31	0503012862	40-1 CHAIN X 76 LINK + REDUCTION		01 01
32	0501053788	3/4 SQUARE AXLE FASTENER		02 02
32A	0521010691	AXLE FASTENER		02 02
32B	0503010373	SCREW 1/4 UNC X 2 CS G.2 ZN		02 02
32C	0501010694	FLAT WASHER		02 02
32D	0503010143	1/4" SPRING WASHER		02 02
32E	0503010144	1/4" NUT		02 02
33	0521010577	0.9" X 4.1" COUPLING SHAFT		01 01
34	0521010635	2" X 5.7" COUPLING SHAFT		02 02
35	0503010012	1" SPRING WASHER		02 02
36	0503010340	1" NUT		02 02
37	0503030085	LOCK PIN		03 03

CARRYNG-WHEELS ASSY



Item	Code	Description	See page	QT
01	0521064535	WHEEL SUPPORT		01
02	0502011530	SUPPORT		01
03	0503010762	SCREW 5/8 UNC X 3.1/2 CS G.5 ZN		02
04	0501059985	RH WHEEL ARM	4	01
05	0501059313	AGRICULTURAL BEARING		02
06	0511050681	TRACTION SPRING		01
06A	0503031681	2.1" X 7.78" EXTENSION SPRING		01
06B	0561016062	SPRING HITCH		02
07	0501010100	SCREW 5/8 UNC X 2 CS G.5 ZN		01
08	0503013030	5/8" X 3.1/4" BOLT		01
09	0501011299	FLAT WASHER		02
10	0503030303	SUPPORT WASHER		01
11	0521018630	1.4" X SQUARE 0.8" WASHER		03
12	0561016501	GLOVE 30,50		01
13	0521061211	SLEEVE COUPLING		01
14	0511067501	26Z GEAR		02
15	0503010571	1/4" X 1.1/2 COTTERPIN		02
16	0503030085	LOCK PIN		01
17	0501052777	CHAIN TENSIONER ASSY		01
18	0502011758	REAR TENSIONER LEVER		01
19	0501048790	AXLE WITH RING		01
20	0503010292	0.2" X 1.6" SPRING PIN		01
21	0503013253	40-1 X CHAIN X 116 LINK+REDECTION		01
22	0503017052	40-1 X CHAIN X 37 LINK MENDING		01
23	0561016503	PRISONER 3/8 UNC		02
24	0503060105	WELL AND TIRE ASSY		01
25	0561016521	RH CHAIN PROTECTION CAP		01
26	0501010984	FLAT WASHER		02
27	0503010025	3/8" SPRING WASHER		02
28	0503010209	3/8" UNC BUTTERFLY NUT		02
29	0571015212	COUPLING SHAFT		01



PHL

(UP TO 03/2022)

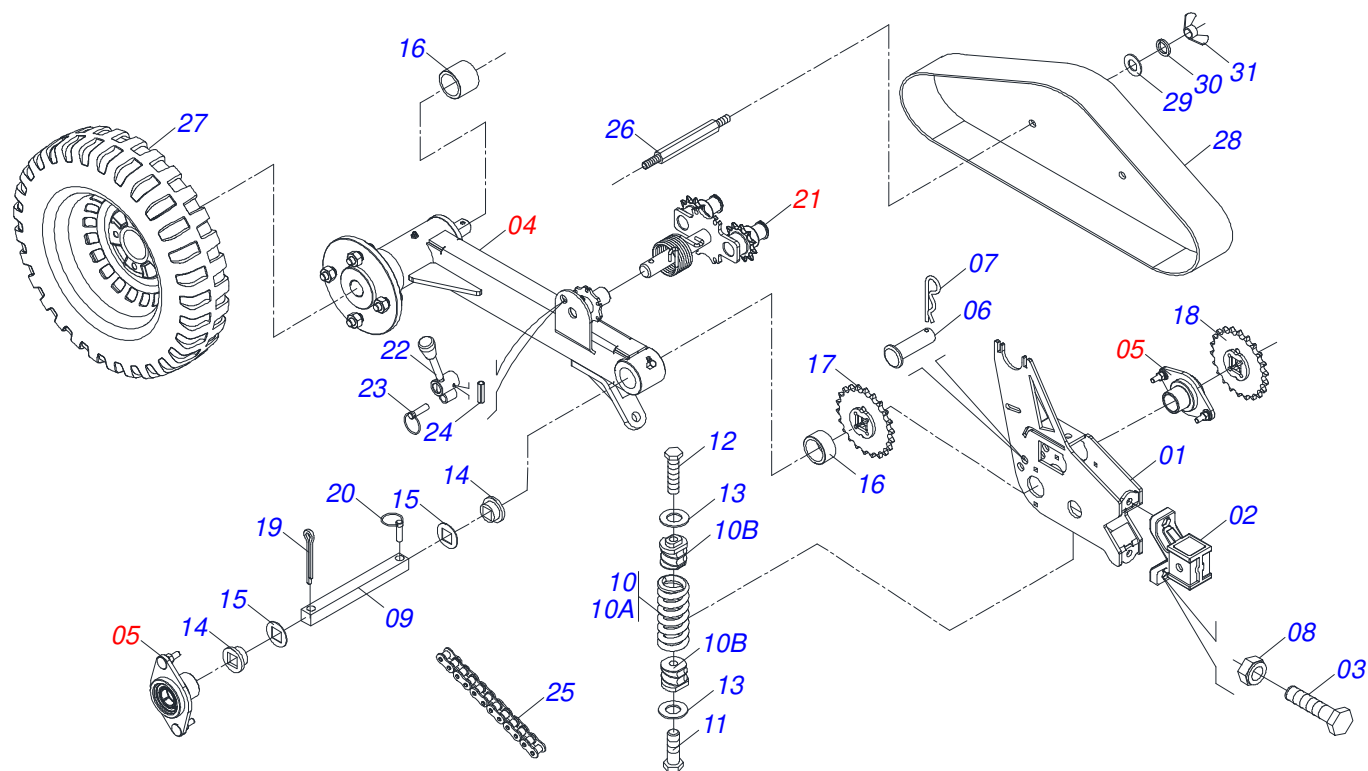
Page 2

CARRYNG-WHEELS ASSY

0511054772

Item	Code	Description	See page	QT
30	0503031035	HAIR PIN		01
31	0511054437	CENTRAL SEED STRETCHER		01
31A	0521064505	CURRENT STRETCHER		01
31B	0503030402	PULLEY		01
31C	0503010302	501019 SEAL RING		01
31D	0501011643	3/8 X 1" BOLT		01
31E	0503010025	3/8" SPRING WASHER		01
31F	0503010026	3/8" NUT		01
32	0511061830	17Z P 0.5" GEAR SQUARE HOL		01
33	0503012412	5/8 UNC SELF LOCKING NUT		02
34	0561013761	SQUARE SHAFT		01

LH-CARRYNG-WHEELS ASSY



Item	Code	Description	See page	QT
01	0521064534	CARRYNG-WHEELS SUPPORT		01
02	0502011530	SUPPORT		01
03	0503010762	SCREW 5/8 UNC X 3.1/2 CS G.5 ZN		02
04	0501059986	LEFT WHEEL ARM	5	01
05	0501056450	5/8 DOUB BEARING SEED TRANSMISSION		01
06	0571015212	COUPLING SHAFT		01
07	0503031035	HAIR PIN		01
08	0503012412	5/8 UNC SELF LOCKING NUT		02
09	0561013761	SQUARE SHAFT		01
10	0511050681	TRACTION SPRING		01
10A	0503031681	2.1" X 7.78" EXTENSION SPRING		01
10B	0561016062	SPRING HITCH		02
11	0501010100	SCREW 5/8 UNC X 2 CS G.5 ZN		01
12	0503013030	5/8" X 3.1/4" BOLT		01
13	0501011299	FLAT WASHER		02
14	0503030303	SUPPORT WASHER		02
15	0521018630	1.4" X SQUARE 0.8" WASHER		03
16	0561016501	GLOVE 30,50		01
17	0511065209	20Z GEAR		01
18	0511067501	26Z GEAR		02
19	0503010571	1/4" X 1.1/2 COTTERPIN		02
20	0503030085	LOCK PIN		01
21	0501052779	CHAIN TENSIONER ASSY		01
22	0502011758	REAR TENSIONER LEVER		01
23	0501048790	AXLE WITH RING		01
24	0503010292	0.2" X 1.6" SPRING PIN		01
25	0503013253	40-1 X CHAIN X 116 LINK+REDECTION		01
26	0561016503	PRISONER 3/8 UNC		02
27	0503060105	WELL AND TIRE ASSY		01
28	0561016522	LEFT CHAIN PROTECTION CAP		01
29	0501010984	FLAT WASHER		02



PHL

(UP TO 03/2022)

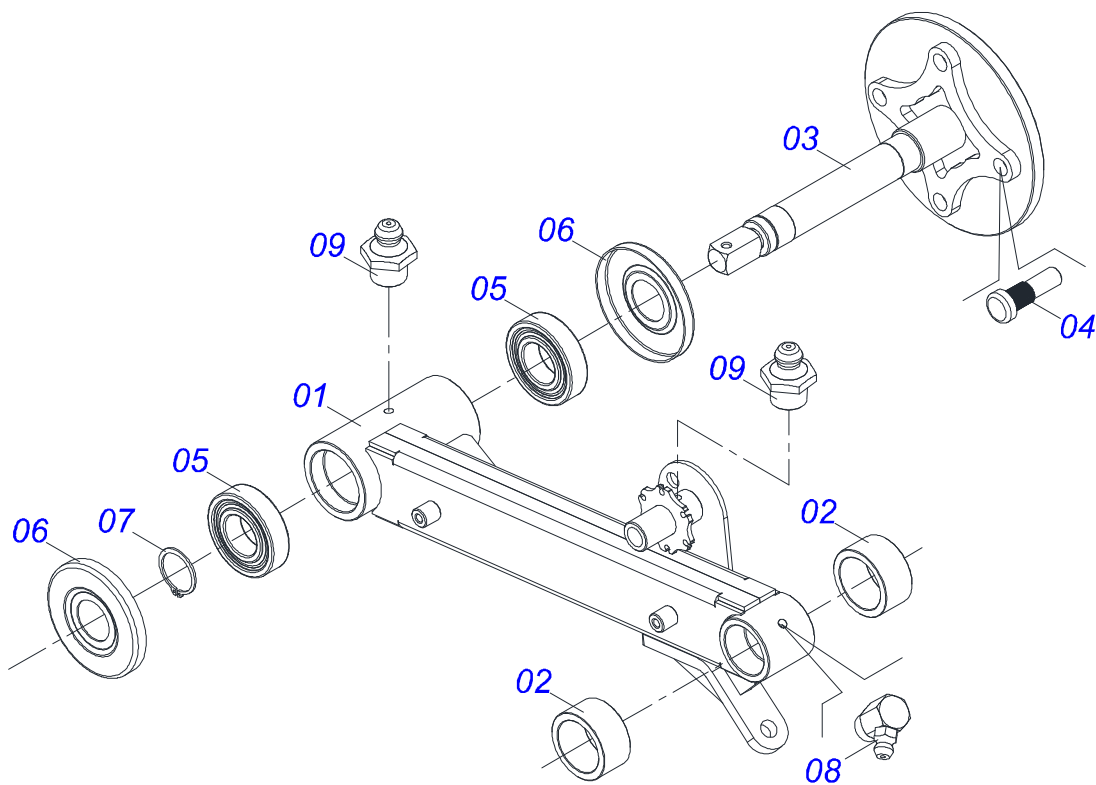
Page 3

LH-CARRYNG-WHEELS ASSY

0511054773

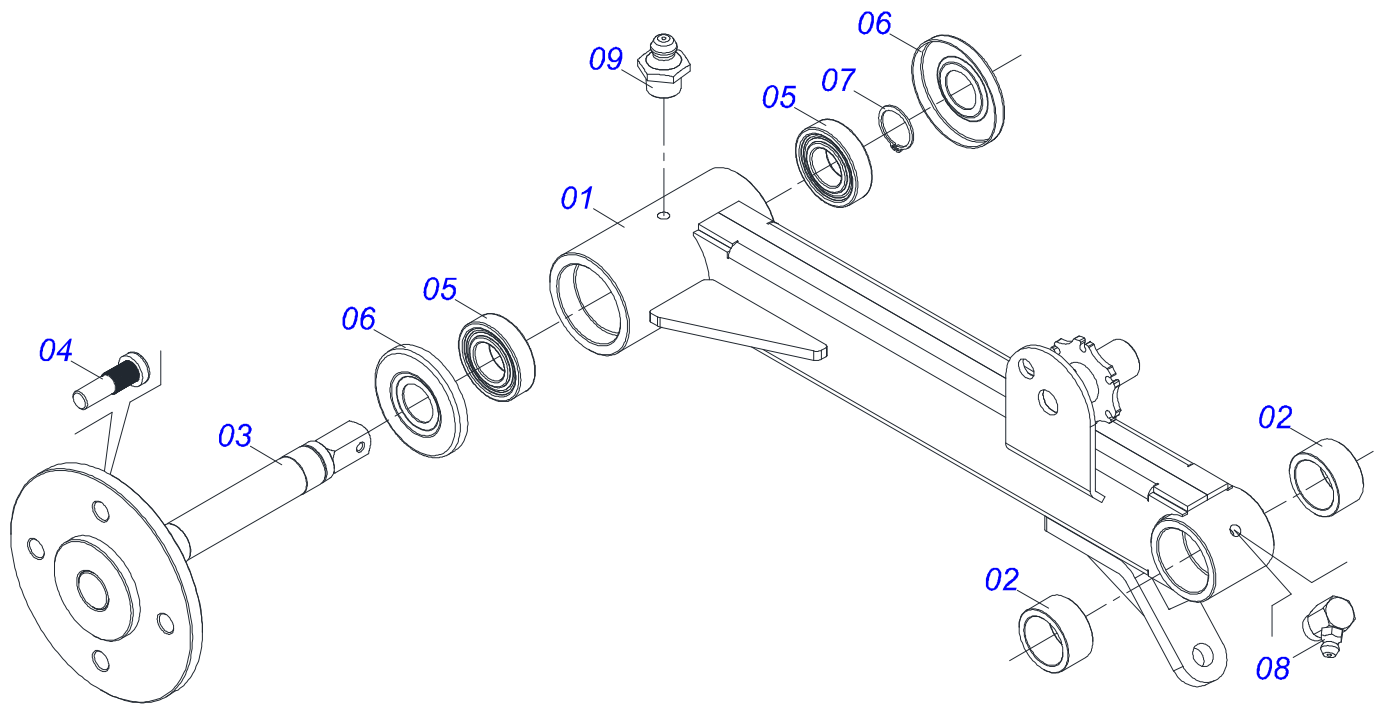
Item	Code	Description	See page	QT
30	0503010025	3/8" SPRING WASHER		02
31	0503010209	3/8" UNC BUTTERFLY NUT		02

RH WHEEL ARM

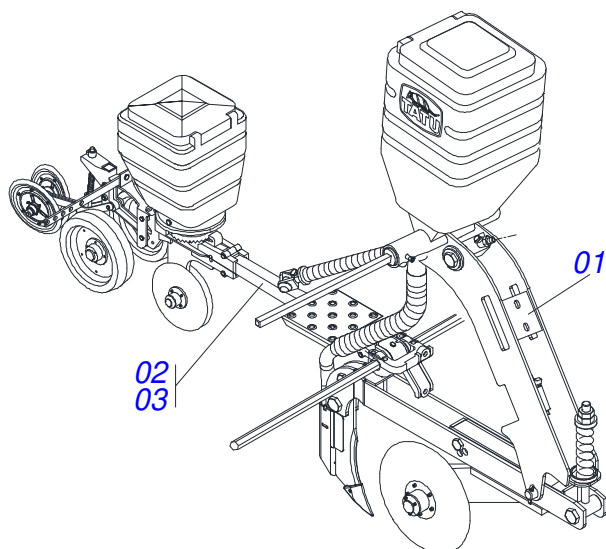


Item	Code	Description	See page	QT
01	0521061660	RH WHEEL ARM	01	01
02	0561013765	SLEEVE WEELS	02	02
03	0521061662	WHEELED AXLE	01	01
04	0501010127	9/16" X 1-7/8" LUG BOLT	04	04
05	0503013170	ROLLER BEARING	02	02
06	0561016502	GUARD POWDER	02	02
07	0503010707	501030 CLAMPING RING (FOR AXLE)	01	01
08	0503010003	1845 GREASE FITTING	01	01
09	0503010002	1800 GREASE FITTING	02	02

LEFT WHEEL ARM



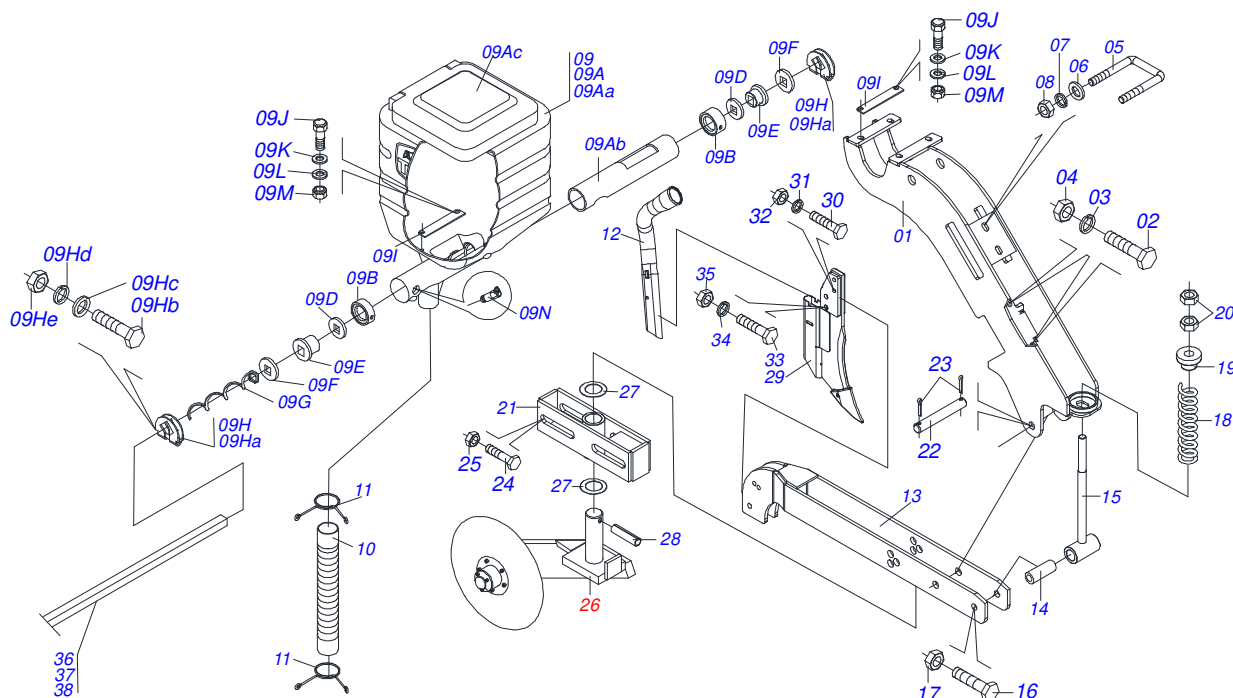
Item	Code	Description	See page	QT
01	0521061661	LH WHEEL ARM		01
02	0561013765	SLEEVE WEELS		02
03	0521061662	WHEELED AXLE		01
04	0501010127	9/16" X 1-7/8" LUG BOLT		04
05	0503013170	ROLLER BEARING		02
06	0561016502	GUARD POWDER		02
07	0503010707	501030 CLAMPING RING (FOR AXLE)		01
08	0503010004	1890 GREASE FITTING		01
09	0503010002	1800 GREASE FITTING		02



Item	Code	Description	See page	QT
00	0909090611	FULL LINE SEED AND FERTILIZER	6	01
01	0521043921	FERTILIZER WITH ASSY		01
02	0521043922	LEFT SEED ROW		01
03	0521043923	RIGH SEED ROW		01

FERTILIZER ROW ASSY

0909090608



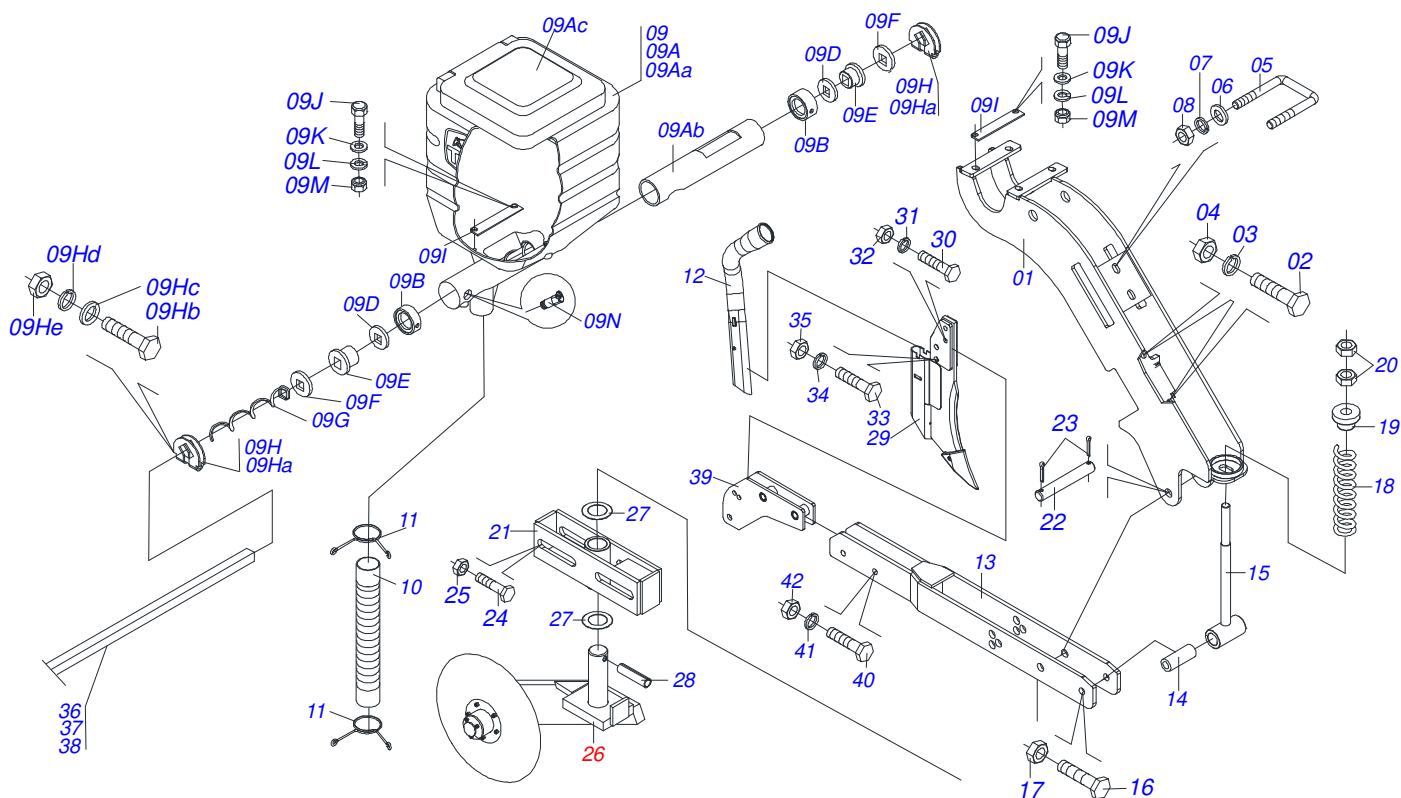
Item	Code	Description	See page	QT
00	0521043419	FERTILIZER WITH ASSY		01
00A	0521043921	FERTILIZER WITH ASSY		01
01	0521064452	FERTILIZER LINE SUPPORT		01
02	0501011543	5/8" X 4" BOLT		02
03	0503010027	5/8" SPRING WASHER		02
04	0503010013	5/8" NUT		02
05	0521012324	1/2" X 3.2" X 2.54" FASTENER		01
06	0501013519	FLAT WASHER		02
07	0503010019	1/2" SPRING WASHER		02
08	0503010060	1/2" NUT		02
09	0511054767	BOX FERTILIZER C		01
09A	0503031260	DEPOSIT FERTILIZER WITH TUBE PVC		01
09Aa	0501110281	DEPOSIT FERTILIZER WITH TUBE PVC		01
09Ab	0521010945	FERTILIZER DISTRIBUTOR TUBE		01
09Ac	0503031264	SEED/FERTILIZER BOX COVER		01
09B	0521010947	BUJE SMALLER DISTRIBUIDOR ABONO		01
09C	0521010946	DISTRIBUTOR FERTIL LARGER SLEEVE		01
09D	0501010637	FLAT WASHER		02
09E	0503030275	AGRICULTURAL BEARING		02
09F	0501013774	GREASE SEAL		02
09G	0503031164	RIGHT HELICOID CONDUCTOR		01
09H	0501053788	3/4 SQUARE AXLE FASTENER		02
09Ha	0521010691	AXLE FASTENER		02
09Hb	0503010373	SCREW 1/4 UNC X 2 CS G.2 ZN		02
09Hc	0501010694	FLAT WASHER		02
09Hd	0503010143	1/4" SPRING WASHER		02
09He	0503010144	1/4" NUT		02
09I	0511017073	12,01 X 2" X 0,25" PLATE		02
09J	0503010751	C3/8" X 1.1/4" HEX BOLT G.5		04
09K	0501010984	FLAT WASHER		04
09L	0503010025	3/8" SPRING WASHER		04



FERTILIZER ROW ASSY

0909090608

Item	Code	Description	See page	QT
09M	0503010026	3/8" NUT		04
09N	0503012102	CREASE FITTING		02
10	0503030408	2X2X390 HOSE		01
10.	0503030195	2" X 2" X 12.2" HOSE		01
11	0503031076	2" HOSE CLAMP		02
12	0503030391	RIGHT FERTILIZER NOZZLE		01
13	0521064457	LINE FERTILIZER		01
14	0571015469	SLEEVE NYLON Ø16 X Ø22 X 66/65		01
15	0521064458	SEEP SPRING GUIDE		01
16	0501011543	5/8" X 4" BOLT		01
17	0503012412	5/8 UNC SELF LOCKING NUT		01
18	0503031687	2.3" X 5.55" COMPRESSION SPRING		01
19	0502011756	FERTILIZER SPRING SEAT		01
20	0503012412	5/8 UNC SELF LOCKING NUT		01
21	0521064459	COURT SUPPORT DISC		01
22	0571014896	COUPLING SHAFT		01
23	0503010131	3/16" X 1-1/2" COTTERPIN		02
24	0501010216	3/4" X 4-1/2" BOLT		01
25	0503011255	3/4" LOCK NUT		01
26	0521043417	BLADE DISC SEMI MOUTED	10	01
27	0531014527	FLAT WASHER		02
28	0503010839	03"X 0.6" SPRING PIN		01
29	0501110770	FERTILIZER SCARIFIER SPINDLE		01
30	0501011048	3/8" X 2-1/2" BOLT		01
31	0503010025	3/8" SPRING WASHER		01
32	0503010026	3/8" NUT		01
33	0503011172	BOLT 1/2 UNC X 2.1/2 C S G.5 ZN		01
34	0503010019	1/2" SPRING WASHER		01
35	0503010060	1/2" NUT		01
36	0571014785	SQUARE SHAFT 3/4 X 3100		01
37	0571015472	SHAFT HEX 5/8 X 2900		01
38	0571017094	SHAFT HEX 5/8 X 3900		01



Item	Code	Description	See page	QT
00	0521043419	FERTILIZER WITH ASSY		01
00A	0521043921	FERTILIZER WITH ASSY		01
01	0521064452	FERTILIZER LINE SUPPORT		01
02	0501011543	5/8" X 4" BOLT		02
03	0503010027	5/8" SPRING WASHER		02
04	0503010013	5/8" NUT		02
05	0521012324	1/2" X 3.2" X 2.54" FASTENER		01
06	0501013519	FLAT WASHER		02
07	0503010019	1/2" SPRING WASHER		02
08	0503010060	1/2" NUT		02
09	0511054767	BOX FERTILIZER C		01
09A	0503031260	DEPOSIT FERTILIZER WITH TUBE PVC		01
09Aa	0501110281	DEPOSIT FERTILIZER WITH TUBE PVC		01
09Ab	0521010945	FERTILIZER DISTRIBUTOR TUBE		01
09Ac	0503031264	SEED/FERTILIZER BOX COVER		01
09B	0521010947	BUJE SMALLER DISTRIBUIDOR ABONO		01
09C	0521010946	DISTRIBUTOR FERTIL LARGER SLEEVE		01
09D	0501010637	FLAT WASHER		02
09E	0503030275	AGRICULTURAL BEARING		02
09F	0501013774	GREASE SEAL		02
09G	0503031164	RIGHT HELICOID CONDUCTOR		01
09H	0501053788	3/4 SQUARE AXLE FASTENER		02
09Ha	0521010691	AXLE FASTENER		02
09Hb	0503010373	SCREW 1/4 UNC X 2 CS G.2 ZN		02
09Hc	0501010694	FLAT WASHER		02
09Hd	0503010143	1/4" SPRING WASHER		02
09He	0503010144	1/4" NUT		02
09I	0511017073	12,01 X 2" X 0,25" PLATE		02
09J	0503010751	C3/8" X 1.1/4" HEX BOLT G.5		04
09K	0501010984	FLAT WASHER		04
09L	0503010025	3/8" SPRING WASHER		04

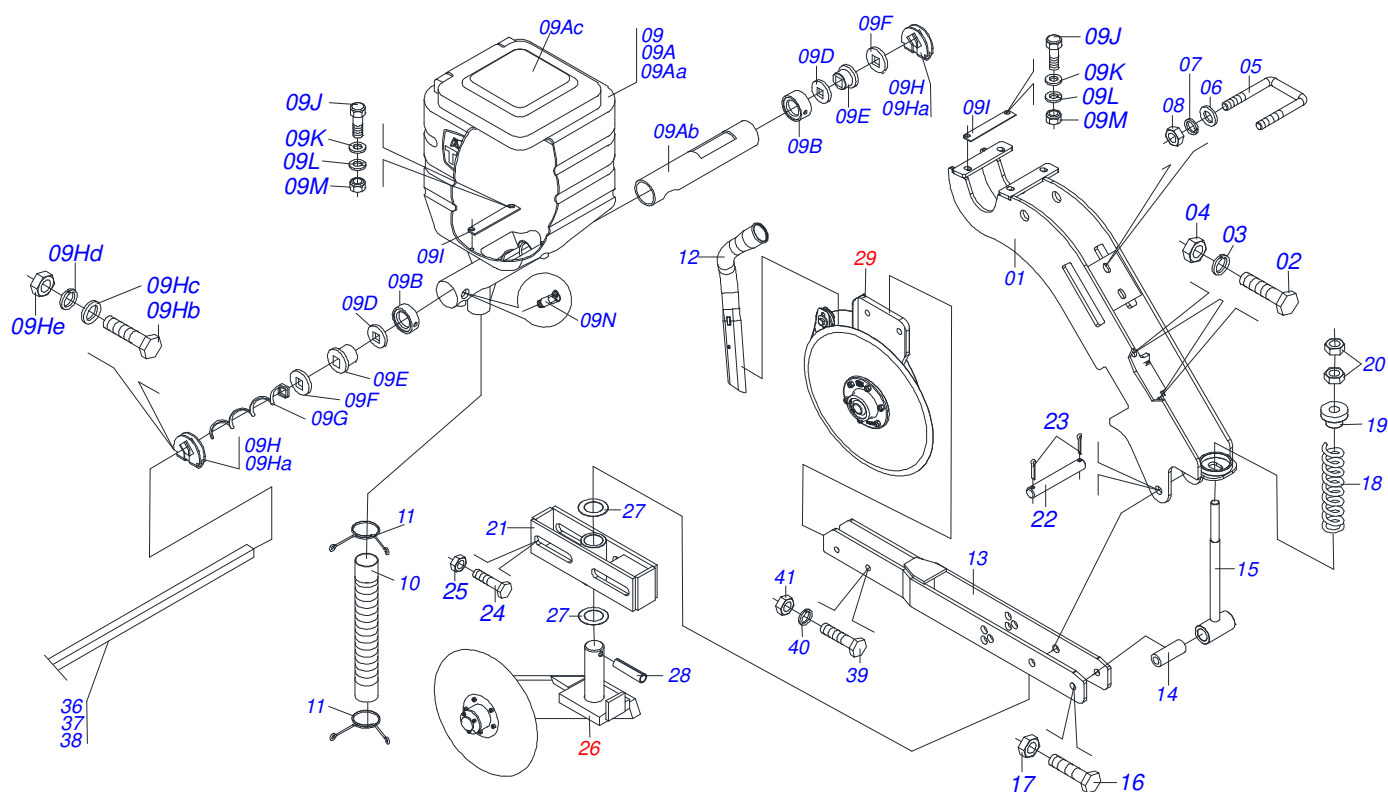


LINE ASSEMBLY WITH SCARIFIER ROD DIRECT PLANTIO

0909092366

Item	Code	Description	See page	QT
09M	0503010026	3/8" NUT		04
09N	0503012102	CREASE FITTING		02
10	0503030408	2X2X390 HOSE		01
10.	0503030195	2" X 2" X 12.2" HOSE		01
11	0503031076	2" HOSE CLAMP		02
12	0503030392	LEFT FERTILIZER NOZZLE		01
13	0521066460	FERTILIZER ROW ASSY		01
14	0571015469	SLEEVE NYLON Ø16 X Ø22 X 66/65		01
15	0521064458	SEEP SPRING GUIDE		01
16	0501011543	5/8" X 4" BOLT		01
17	0503012412	5/8 UNC SELF LOCKING NUT		01
18	0503031687	2.3" X 5.55" COMPRESSION SPRING		01
19	0502011756	FERTILIZER SPRING SEAT		01
20	0503012412	5/8 UNC SELF LOCKING NUT		01
21	0521064459	COURT SUPPORT DISC		01
22	0571014896	COUPLING SHAFT		01
23	0503010131	3/16" X 1-1/2" COTTERPIN		02
24	0501010216	3/4" X 4-1/2" BOLT		01
25	0503011255	3/4" LOCK NUT		01
26	0521043417	BLADE DISC SEMI MOUTED	10	01
27	0531014527	FLAT WASHER		02
28	0503010839	03"X 0.6" SPRING PIN		01
29	0501110770	FERTILIZER SCARIFIER SPINDLE		01
30	0501011048	3/8" X 2-1/2" BOLT		01
31	0503010025	3/8" SPRING WASHER		01
32	0503010026	3/8" NUT		01
33	0503011172	BOLT 1/2 UNC X 2.1/2 C S G.5 ZN		01
34	0503010019	1/2" SPRING WASHER		01
35	0503010060	1/2" NUT		01
36	0571014785	SQUARE SHAFT 3/4 X 3100		01
37	0571015472	SHAFT HEX 5/8 X 2900		01
38	0571017094	SHAFT HEX 5/8 X 3900		01
39	0521066462	ROD SUPPORT		01
40	0503010479	BOLT		02
41	0503010019	1/2" SPRING WASHER		02
42	0503010060	1/2" NUT		02

DISLOCATED DOUBLE DISK LINE SET CONVENTIONAL



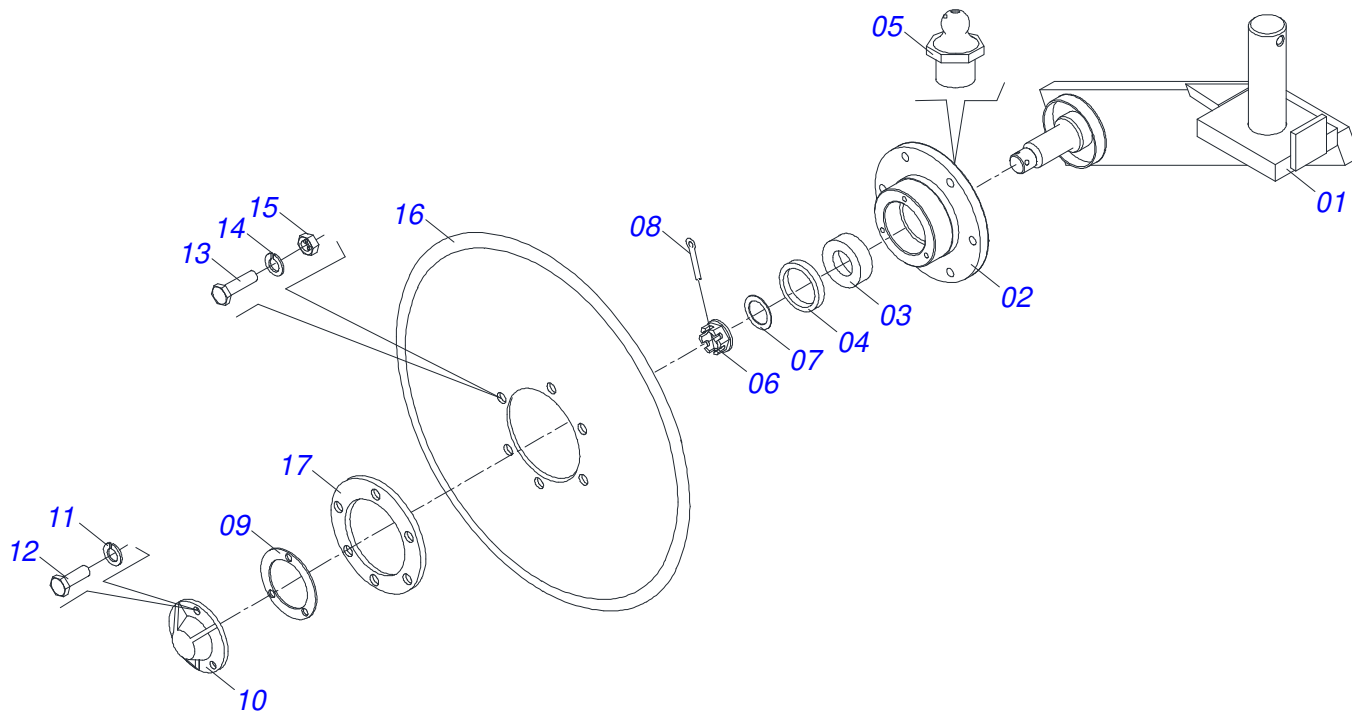
Item	Code	Description	See page	QT
00	0521043419	FERTILIZER WITH ASSY		01
00A	0521043921	FERTILIZER WITH ASSY		01
01	0521064452	FERTILIZER LINE SUPPORT		01
02	0501011543	5/8" X 4" BOLT		02
03	0503010027	5/8" SPRING WASHER		02
04	0503010013	5/8" NUT		02
05	0521012324	1/2" X 3.2" X 2.54" FASTENER		01
06	0501013519	FLAT WASHER		02
07	0503010019	1/2" SPRING WASHER		02
08	0503010060	1/2" NUT		02
09	0511054767	BOX FERTILIZER C		01
09A	0503031260	DEPOSIT FERTILIZER WITH TUBE PVC		01
09Aa	0501110281	DEPOSIT FERTILIZER WITH TUBE PVC		01
09Ab	0521010945	FERTILIZER DISTRIBUTOR TUBE		01
09Ac	0503031264	SEED/FERTILIZER BOX COVER		01
09B	0521010947	BUJE SMALLER DISTRIBUIDOR ABONO		01
09C	0521010946	DISTRIBUTOR FERTIL LARGER SLEEVE		01
09D	0501010637	FLAT WASHER		02
09E	0503030275	AGRICULTURAL BEARING		02
09F	0501013774	GREASE SEAL		02
09G	0503031164	RIGHT HELICOID CONDUCTOR		01
09H	0501053788	3/4 SQUARE AXLE FASTENER		02
09Ha	0521010691	AXLE FASTENER		02
09Hb	0503010373	SCREW 1/4 UNC X 2 CS G.2 ZN		02
09Hc	0501010694	FLAT WASHER		02
09Hd	0503010143	1/4" SPRING WASHER		02
09He	0503010144	1/4" NUT		02
09I	0511017073	12,01 X 2" X 0,25" PLATE		02
09J	0503010751	C3/8" X 1.1/4" HEX BOLT G.5		04
09K	0501010984	FLAT WASHER		04
09L	0503010025	3/8" SPRING WASHER		04



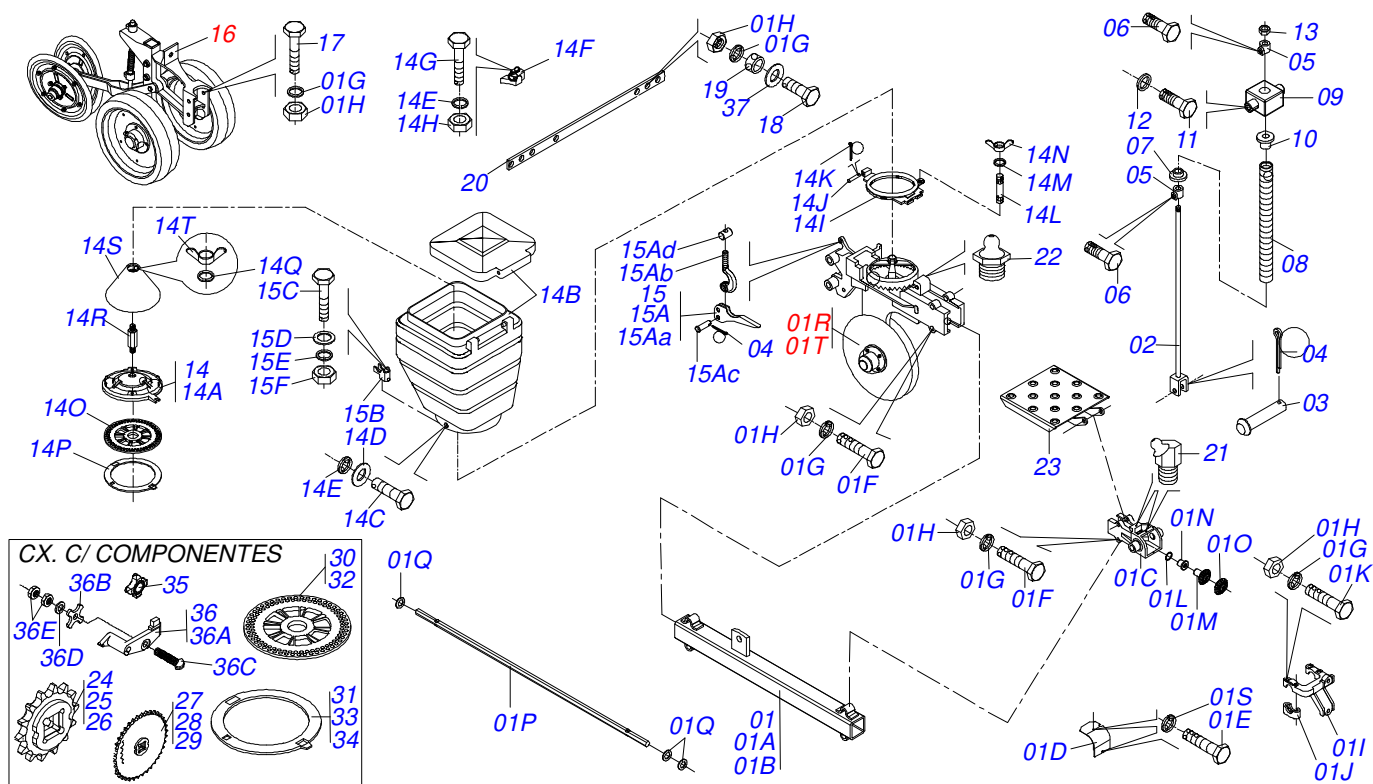
DISLOCATED DOUBLE DISK LINE SET CONVENTIONAL

0909092367

Item	Code	Description	See page	QT
09M	0503010026	3/8" NUT		04
09N	0503012102	CREASE FITTING		02
10	0503030408	2X2X390 HOSE		01
10.	0503030195	2" X 2" X 12.2" HOSE		01
11	0503031076	2" HOSE CLAMP		02
12	0503030391	RIGHT FERTILIZER NOZZLE		01
13	0521066460	FERTILIZER ROW ASSY		01
14	0571015469	SLEEVE NYLON Ø16 X Ø22 X 66/65		01
15	0521064458	SEEP SPRING GUIDE		01
16	0501011543	5/8" X 4" BOLT		01
17	0503012412	5/8 UNC SELF LOCKING NUT		01
18	0503031687	2.3" X 5.55" COMPRESSION SPRING		01
19	0502011756	FERTILIZER SPRING SEAT		01
20	0503012412	5/8 UNC SELF LOCKING NUT		01
21	0521064459	COURT SUPPORT DISC		01
22	0571014896	COUPLING SHAFT		01
23	0503010131	3/16" X 1-1/2" COTTERPIN		02
24	0501010216	3/4" X 4-1/2" BOLT		01
25	0503011255	3/4" LOCK NUT		01
26	0521043417	BLADE DISC SEMI MOUTED	10	01
27	0531014527	FLAT WASHER		02
28	0503010839	03"X 0.6" SPRING PIN		01
29	0909090610	DDD SEED 15 X 15 RIGHT AND LEFT	17	01
30	0501011048	3/8" X 2-1/2" BOLT		01
31	0503010025	3/8" SPRING WASHER		01
32	0503010026	3/8" NUT		01
33	0503011172	BOLT 1/2 UNC X 2.1/2 C S G.5 ZN		01
34	0503010019	1/2" SPRING WASHER		01
35	0503010060	1/2" NUT		01
36	0571014785	SQUARE SHAFT 3/4 X 3100		01
37	0571015472	SHAFT HEX 5/8 X 2900		01
38	0571017094	SHAFT HEX 5/8 X 3900		01
39	0503010479	BOLT		02
40	0503010019	1/2" SPRING WASHER		02
41	0503010060	1/2" NUT		02



Item	Code	Description	See page	QT
01	0521064466	DISC BLADE SUPPORT		01
02	0502011281	DISC HUB		01
03	0503010215	30205 BEARING		02
04	0503010213	SEAL 30205		01
05	0503010691	1/4" GREASE FITTING		01
06	0503030282	3/4" CASTLE NUT		01
07	0501010941	FLAT WASHER		01
08	0503010362	1/8" X 1.1/4" COTTERPIN		01
09	0503030272	3,1" X 2,1" X 0,01" JOINT		01
10	0521010383	BALDE DISC PROTECTION CAP		01
11	0503011441	SPRING WASHER		03
12	0503010298	1/4" X 1/2" BOLT		03
13	0503010371	5/16" X 1" BOLT		06
14	0503011444	SPRING WASHER		06
15	0503010337	5/16" NUT		06
16	0603023009	16" X 0.2" FLAT PLAIN DISC		01
17	0501013839	WASHER		01



Item	Code	Description	See page	DIR ESQ
00	0521043922	LEFT SEED ROW		01 00
00A	0521043923	RIGTH SEED ROW		00 01
01	0511054769	LEFT SEED ROW ARM		01 00
01A	0511054768	SEED ROW ARM		00 01
01B	0521064695	ARTICULACCION SUPPORT		01 01
01C	0502011830	ARTICULACCION SUPPORT		01 01
01D	0521018079	SEEP ROW DRAWBAR COVER		01 01
01E	0503014729	1/4" UNF X 1/2" BOLT		02 02
01F	0503010752	1/2" X 3.1/2" BOLT		04 04
01G	0503010019	1/2" SPRING WASHER		11 11
01H	0503010060	1/2" NUT		11 11
01I	0502011561	BEARING SEMI		01 01
01J	0502010426	UPPER BEARING SEMI		02 02
01K	0503010479	BOLT		04 04
01L	0501013354	FLAT WASHER		02 02
01M	0502011400	18Z CONICAL GEAR		01 01
01N	0502011296	1/2 HEX AXLE BEARING SLEEVE		01 01
01O	0502011505	18Z CONICAL GEAR		01 01
01P	0571015471	1/2 X 755 HEX AXLE		01 01
01Q	0501013352	FLAT WASHER		03 03
01R	0511055570	RIGHT 15" X 15" DOUBLE DISC		01 00
01S	0503011441	SPRING WASHER		02 02
01T	0511055571	LEFT 15" X 15" DOUBLE DISC		00 01
02	0521064456	ROD SEED		01 01
03	0521017623	0.5" X 1.5" COUPLING SHAFT		01 01
04	0503010257	1/8" X 1" COTTERPIN		01 01
05	0502040534	SPRING GUIDE BUSHING LOCK		01 01
06	0503010834	1/2 X 1 BOLT		01 01
07	0502040534	SPRING GUIDE BUSHING LOCK		02 02
08	0503030917	1.6"X1.8"X 0.2" COMPRESSION SPRING		01 01
09	0571015474	SEEP SPRING GUIDE OSCILLATION		01 01



RIGTH THE LEFT SEED ROW

0909090609

Item	Code	Description	See page	DIR ESQ
10	0571015476	SPRING SLEEVE ARTICULATION		01 01
11	0503010849	3/8" X 1-1/2" BOLT		02 02
12	0503010025	3/8" SPRING WASHER		02 02
13	0503010013	5/8" NUT		01 01
14	0501053347	SEED SYSTEM ASSEMBLY		01 01
14A	0502020324	SEED BOX SUPPORT		01 01
14B	0503031667	BOX YELLOW SEED WITH GREEN COVER		01 01
14C	0503010295	SCREW 5/16 UNC X 5/8 CS G.2 ZN		04 04
14D	0501010694	FLAT WASHER		04 04
14E	0503010179	LOCK WASHER		05 05
14F	0501051094	ASSY SEED DISTRIBUTOR		01 01
14G	0503010675	5/16" X 2.1/4" BOLT		01 01
14H	0503010337	5/16" NUT		01 01
14I	0502010408	SEED DISC LOWER TRAIL		01 01
14J	0521010536	0.3" X 3.8" COUPLING SHAFT		01 01
14K	0503010140	1/8" X 3/4" COTTERPIN		01 01
14L	0503030083	3/8" X 3/8" X 1.6" STUD		01 01
14M	0503010025	3/8" SPRING WASHER		01 01
14N	0503010209	3/8" UNC BUTTERFLY NUT		01 01
14O	0503016217	SOYBEAN SEED DISC 34 OBLONG		01 01
14P	0503016219	RING TO SOYBEANS		01 01
14Q	0503010025	3/8" SPRING WASHER		01 01
14R	0511013590	HEX STUD 3/8" X 3/8"		01 01
14S	0511013494	DEFLECTOR		01 01
14T	0503010209	3/8" UNC BUTTERFLY NUT		01 01
15	0501058009	FAST LOCK ASSY		01 01
15A	0511053857	FAST CLOSING SET		01 01
15Aa	0502012744	SPEED LOCK LEVER ASSY		01 01
15Ab	0502012743	FAST BOLT ASSY		01 01
15Ac	0571014024	FAST BOLT GUIDE AXLE		01 01
15Ad	0571014534	FAST BOLT ADJUSTMENT		01 01
15B	0531018622	BOLT FAST SUPPORT UPPER		01 01
15C	0501010096	3/8" X 2" BOLT		01 01
15D	0501010984	FLAT WASHER		01 01
15E	0503010025	3/8" SPRING WASHER		01 01
15F	0503010026	3/8" NUT		01 01
16	0501054992	DEPTH WHEEL V CONTROL ASSEMBLY	12	01 01
17	0503010479	BOLT		02 02
18	0503010740	BOLT 1/2 UNC X 2 CS G.5 ZN		01 01
19	0521010505	13,50 X 19,00 X 21,50 SLEEVE		01 01
20	0501018652	CORN STABILIZER BAR		03 03
21	0503011099	GREASE FITTING		02 02
22	0503010002	1800 GREASE FITTING		01 01
23	0521064507	PLATFORM		01 01
24	0521060881	GEAR 14Z		02 02
25	0511061757	18Z GEAR		02 02
26	0521060880	GEAR 22 TEETH		02 02
27	0511065366	GEAR 30Z P 12.7		02 02
28	0511063105	34Z P 1/2" GEAR SQUARE HOLE 3/4"		02 02
29	0521060879	38Z GEAR		02 02
30	0503016204	CORN DISK 12 ORANGE		05 05
31	0503016214	RING CORN (APOLLO740)		05 05
32	0503016218	DISC OF SOYBEAN		05 05
33	0503016220	RING TO SOYBEANS (APOLLO 745)		05 05
34	0503016221	RING TO SOYBEANS (APOLLO 571)		05 05
35	0503030558	PULLEY 4Z CORN PLASTIC		05 05
36	0501050120	LARGER WALKING BEAM ASSY		05 05
36A	0503030379	LARGER ROCKER ARM		01 01
36B	0502060001	PLASTIC PULLEY FOR MAIZE		01 01



PHL

(UP TO 03/2022)

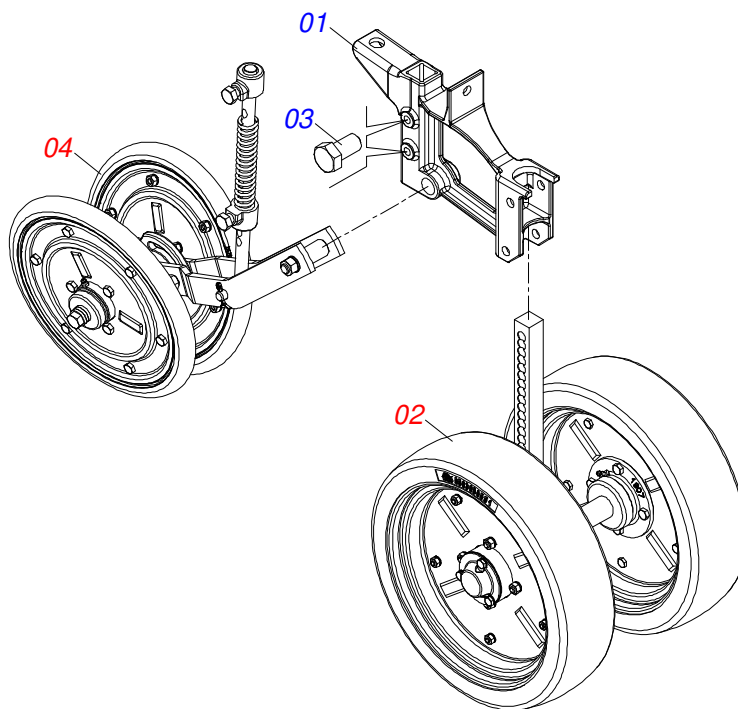
Page 11

RIGTH THE LEFT SEED ROW

0909090609

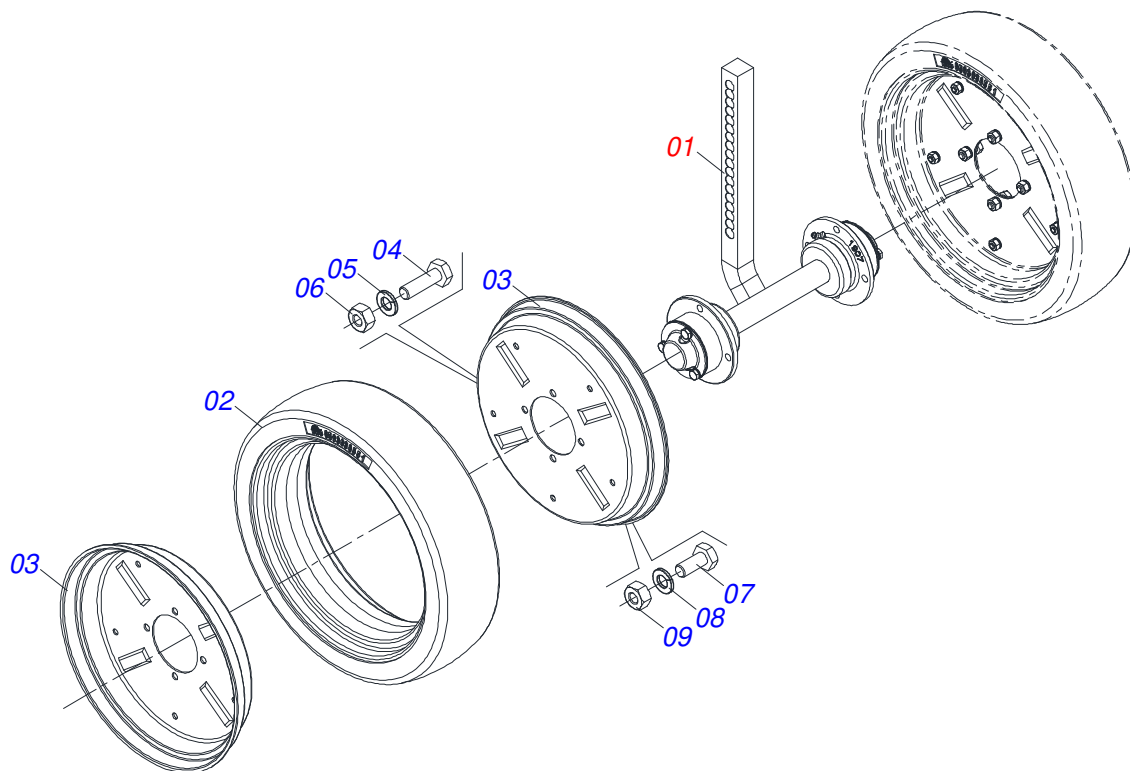
Item	Code	Description	See page	DIR ESQ
36C	0503010803	SCREW 3/16 UNC X 3/4 CAF G.2 ZN		01 01
36D	0503010669	FLAT WASHER		01 01
36E	0503010667	3/16" NUT		02 02
37	0511017302	FLAT WASHER		01 01

DEPTH WHEEL V CONTROL ASSEMBLY



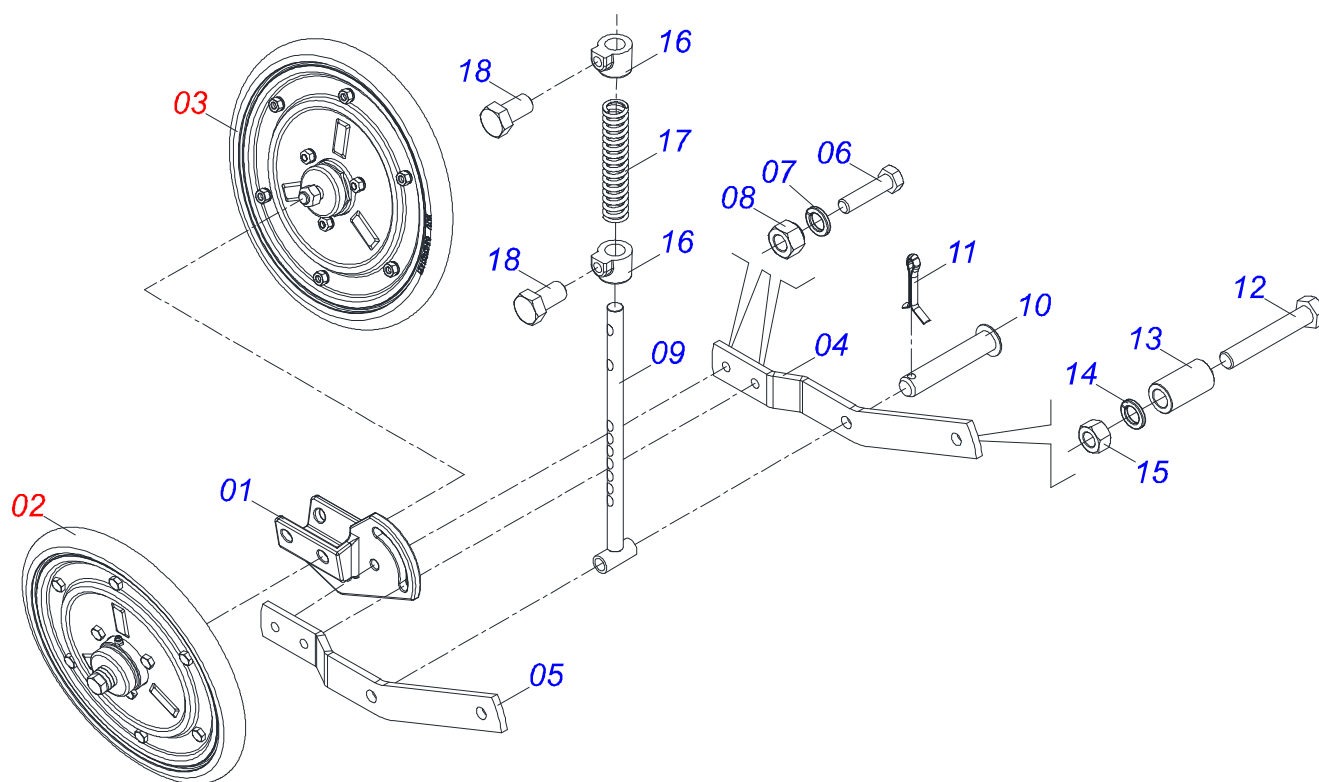
Item	Code	Description	See page	QT
01	0502012236	DEPTH WHEEL SUPPORT		01
02	0501043613	DEPTH WHEEL	13	01
03	0501018535	1/2 X 1 BOLT		02
04	0501059329	WHEELS ASSY	14	01

DEPTH WHEEL

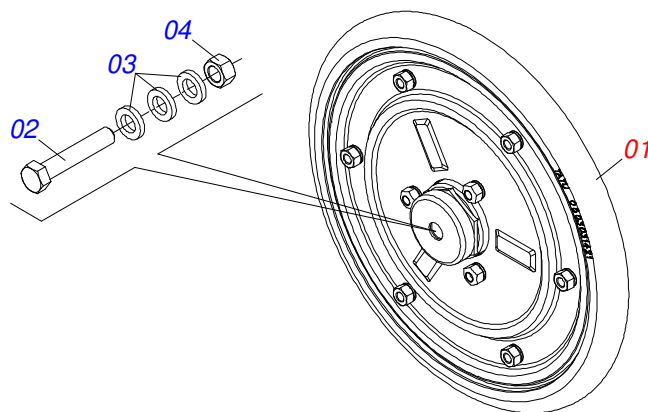


Item	Code	Description	See page	QT
01	0501050421	HUB DEPTH REGULATOR ASSY		01
02	0503030551	DEPTH CONTROL WHEEL RUBBER BAND		02
03	0521010832	RIM FLANGE		04
04	0503010358	5/16" X 5/8" BOLT		08
05	0503010179	LOCK WASHER		08
06	0503010337	5/16" NUT		08
07	0503010298	1/4" X 1/2" BOLT		10
08	0503010143	1/4" SPRING WASHER		10
09	0503010144	1/4" NUT		10

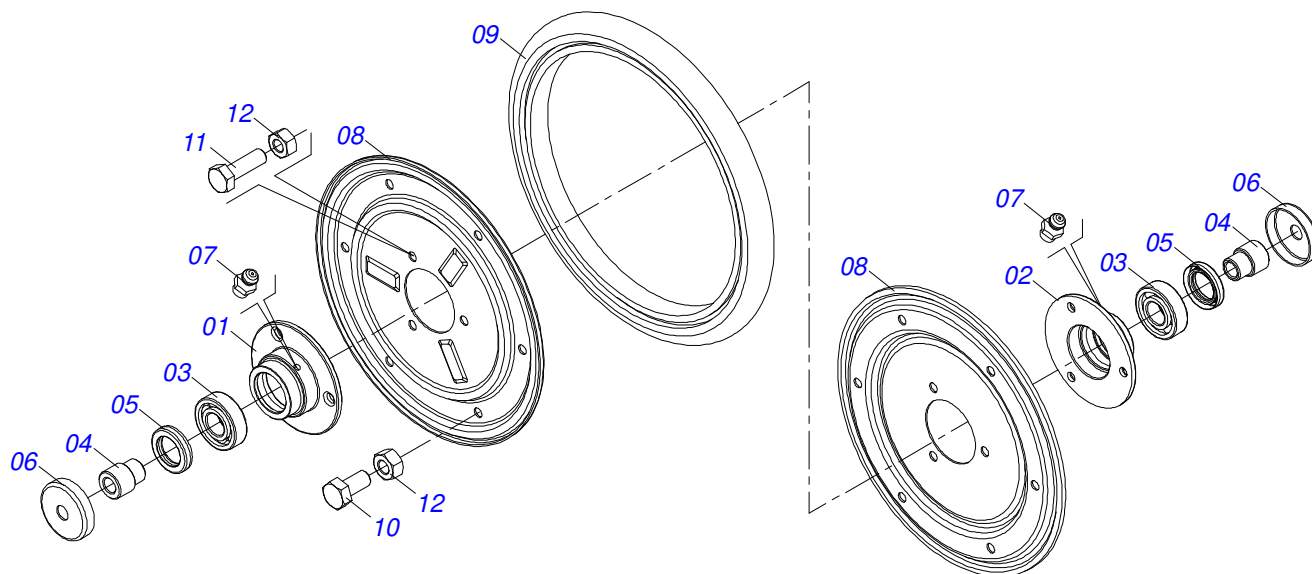
WHEELS ASSY



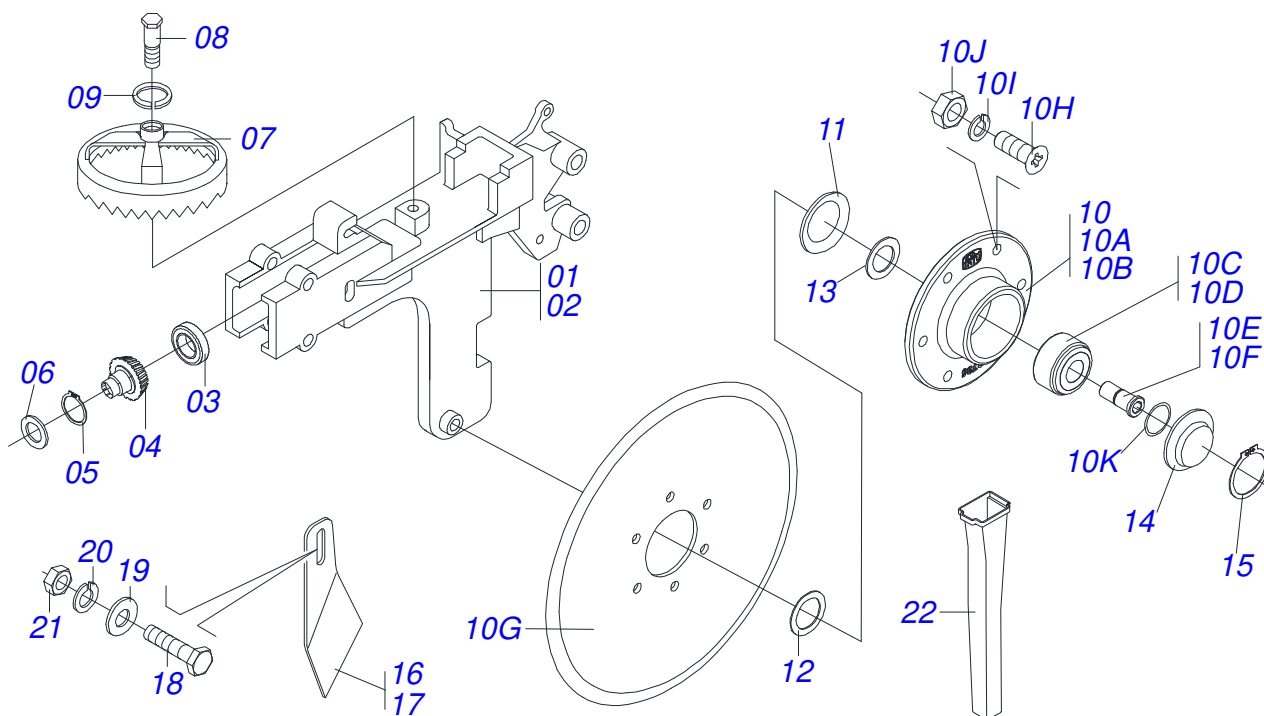
Item	Code	Description	See page	QT
01	0502011757	PRESS REGULATOR		01
02	0511054333	COMPACT WHEEL RIGHT WITH BEARING	15	01
03	0511054334	COMPACT WHEEL LEFT WITH BEARING		01
04	0501013798	LEFT ARM		01
05	0501013799	RIGHT ARM		01
06	0503010849	3/8" X 1-1/2" BOLT		02
07	0503010025	3/8" SPRING WASHER		02
08	0503010026	3/8" NUT		02
09	0501069979	SPRING REGULATOR		01
10	0521013310	0.5" X 3" COUPLING SHAFT		01
11	0503010300	5/32" X 1" COTTERPIN		01
12	0503010479	BOLT		01
13	0541016309	13,2 X 22,18 SLEEVE		01
14	0503010019	1/2" SPRING WASHER		01
15	0503010060	1/2" NUT		01
16	0502040534	SPRING GUIDE BUSHING LOCK		02
17	0503030399	1"X5.1"X 0.2" COMPRESSION SPRING		01
18	0501018535	1/2 X 1 BOLT		02



Item	Code	Description	See page	QT
01	0501052908	COMPACTOR WHEEL WITH BEARING	16	01
02	0503016449	1/2 X 4 BOLT		01
03	0521014508	FLAT WASHER		03
04	0503012136	NUT 1/2 NF		01



Item	Code	Description	See page	QT
01	0502011919	PRESS WHEEL HUB		01
02	0502011877	PRESS WHEEL HUB		01
03	0503010269	6204 BALL BEARING		02
04	0521018922	PRESS WHEEL PASSANG AXLE		02
05	0503012734	SEAL 01556 BR		02
06	0521018921	DUST CLOAK		02
07	0503010691	1/4" GREASE FITTING		01
08	0521018928	PRESS WHEEL RIM		02
09	0503031421	DEPTH CONTROL WHEEL RUBBER BAND		01
10	0503010011	5/16" X 1/2" BOLT		06
11	0503010358	5/16" X 5/8" BOLT		03
12	0503013816	5/16" LOCKNUT		03



Item	Code	Description	See page	DIR ESQ
00	0511055570	RIGHT 15" X 15" DOUBLE DISC		00 01
00A	0511055571	LEFT 15" X 15" DOUBLE DISC		01 00
01	0502012072	15 X 15 DOUBLE LEFT DISC SUPPORT		00 01
02	0502012071	15 X 15 DOUBLE RIGHT DISC SUPPORT		01 00
03	0503011410	ROLLER BEARING		02 02
04	0502012225	10Z CONICAL GEAR		01 01
05	0503010406	501025 CLAMPING RING (FOR AXLE)		01 01
06	0501013354	FLAT WASHER		01 01
07	0501110383	40Z CONICAL GEAR		01 01
08	0503011172	BOLT 1/2 UNC X 2.1/2 C S G.5 ZN		01 01
09	0503011440	SPRING WASHER		01 01
10	0511053173	CUBE LOW RIGHT WITH DISC 15		01 01
10A	0511053172	LEFT LOW CUBE WITH DISC 15		01 01
10B	0502012736	HUB LOWR DDD		01 01
10C	0503016354	EVA-F8N ESF2CARR BALL BEARING		01 00
10D	0503062300	EVA-F8 ESF2CARR BALL BEARING		00 01
10E	0571011150	RIGHT DOUB DISC - HUB		01 00
10F	0571011151	LEFT DOUBLE DISC HUB		00 01
10G	0603022042	13" X 0.12" PLAIN COULTER BLADE		01 01
10H	0503010546	5/16" X 7/8" BOLT		06 06
10I	0503010179	LOCK WASHER		06 06
10J	0503010337	5/16" NUT		06 06
11	0511011927	DUST CLOAK		02 02
12	0511015098	FLAT WASHER		02 02
13	0503014679	2-134 O'RING		02 02
14	0571011152	DOUBLE DISC CAP		02 02
15	0503015081	502052 CLAMPING RING (FOR AXLE)		02 02
16	0501017542	LH DOUBLE DISC SCRAPER		01 01
17	0501017541	RIGHT DOUBLE DISC SCRAPER		01 01
18	0503010751	C3/8" X 1.1/4" HEX BOLT G.5		01 01
19	0501010984	FLAT WASHER		02 02



PHL

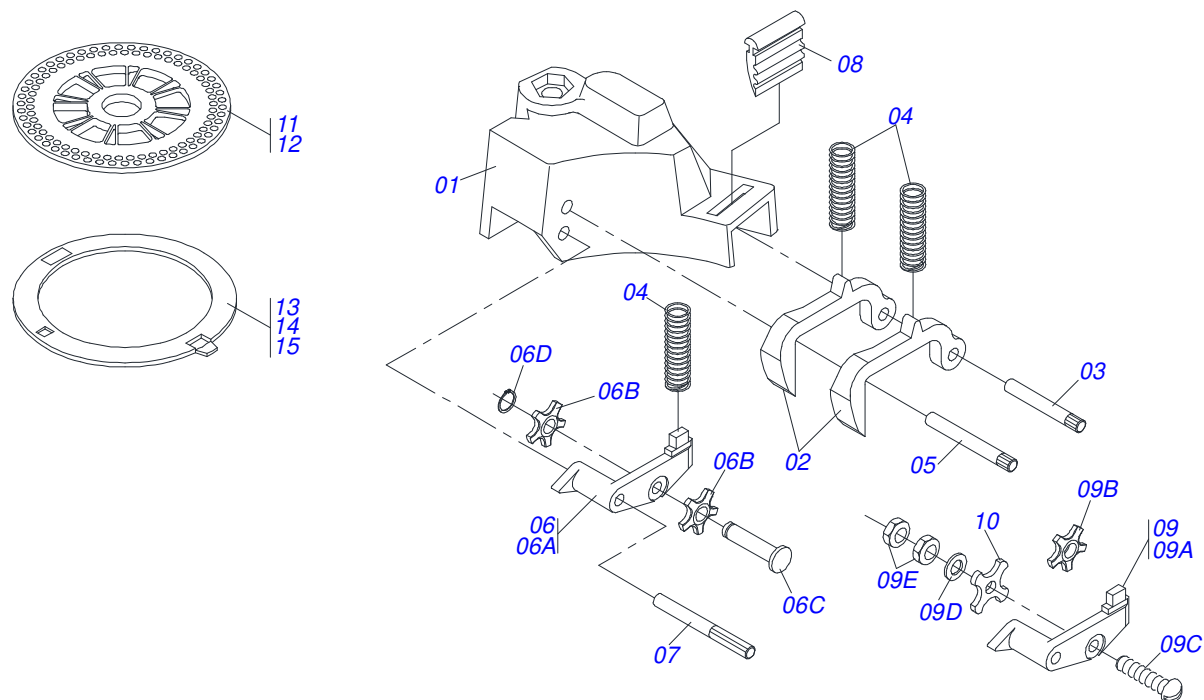
(UP TO 03/2022)

Page 17

DDD SEED 15 X 15 RIGHT AND LEFT

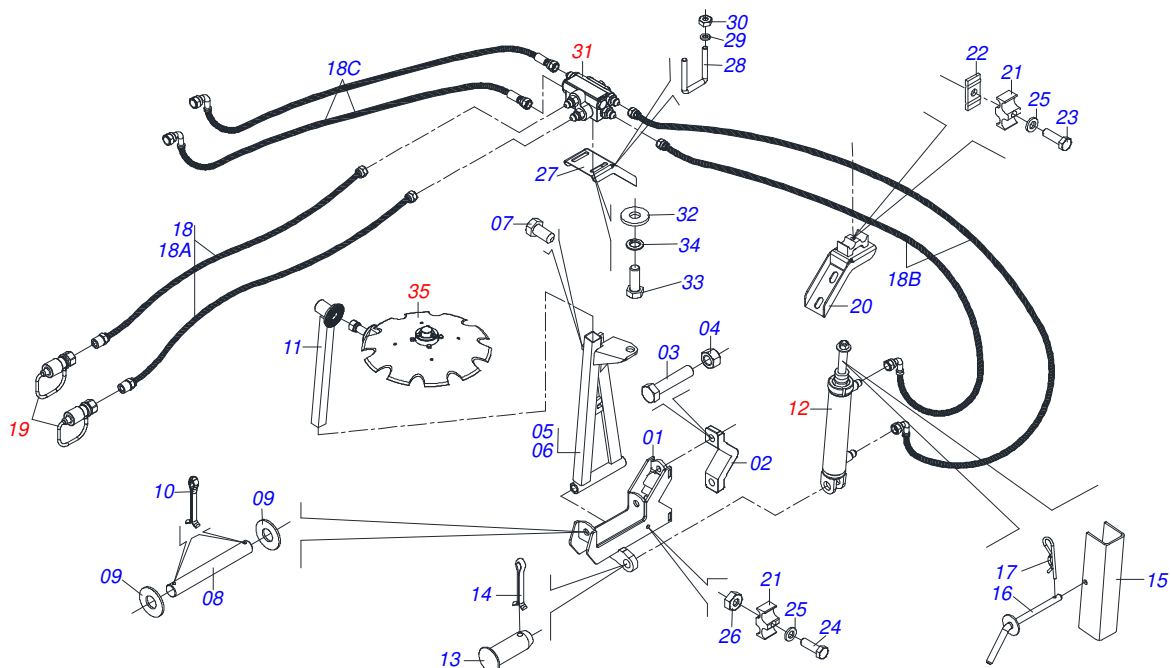
0909090610

Item	Code	Description	See page	DIR ESQ
20	0503010025	3/8" SPRING WASHER		01 01
21	0503010026	3/8" NUT		01 01
22	0503030481	SEED SOCKET		01 01



Item	Code	Description	See page	QT
00	0501051094	ASSY SEED DISTRIBUTOR		01
01	0503030381	SEED DISTRIBUTOR BOX		01
02	0502010447	TRIGGER		02
03	0501013467	KEY AXLE		01
04	0503030378	0.4" X 1.1" X 0.03" SPRING		03
05	0501013466	KEY LIMITER AXLE		01
06	0501051119	DOUBLE PULLEY ROCKER'S		01
06A	0503031129	DOUBLE PULLEY ROCKER ARM		01
06B	0503031128	5Z PLASTIC DOUB PULLEY FOR SOYBEAN		02
06C	0521010649	TOOTH PULLEY COUPLING SHAFT		01
06D	0503011853	503050 CLAMPING RING (FOR HOLE)		01
07	0501013468	ROCKER ARM AXLE, OF THE PULLEY		01
08	0503030377	SCRAPER		01
09	0501050120	LARGER WALKING BEAM ASSY		04
09A	0503030379	LARGER ROCKER ARM		04
09B	0502060001	PLASTIC PULLEY FOR MAIZE		08
09C	0503010803	SCREW 3/16 UNC X 3/4 CAF G.2 ZN		04
09D	0503010669	FLAT WASHER		04
09E	0503010667	3/16" NUT		08
10	0503030558	PULLEY 4Z CORN PLASTIC		04
11	0503016204	CORN DISK 12 ORANGE		04
12	0503016218	DISC OF SOYBEAN		04
13	0503016214	RING CORN (APOLLO740)		04
14	0503016220	RING TO SOYBEANS (APOLLO 745)		04
15	0503016221	RING TO SOYBEANS (APOLLO 571)		04

HYDRAULIC MARKER



Item	Code	Description	See page	QT
001	0521063904	HYDRAULIC MARKER HANDLE HOLDER		02
002	0502010175	HITCH CLAMP		02
003	0501011543	5/8" X 4" BOLT		04
004	0503012412	5/8 UNC SELF LOCKING NUT		04
005	0521062818	BRACO LEFT MARKER LINE		01
006	0521062819	RIGHT ARM MARKER LINE		01
007	0501018535	1/2 X 1 BOLT		04
008	0571013458	AXIS Ø19,05 X 230	PHP	02
009	0501017065	FLAT WASHER		04
010	0503010577	3/16" X 1-1/4" COTTERPIN		04
011	0501069307	ROW MARKER ARM		02
012	0521040155	HYDRAULIC CYLINDER 31,75 X 50,8 X 365 X 595	21	02
013	0521010571	COUPLING SHAFT		02
014	0503010523	1/4" X 2" COTTERPIN		02
015	0561019695	TRANSPORT LOCK		02
016	0501068994	0.3" X 3.1" LOCK PIN		02
017	0503030168	CUPILLA		02
018	0511059689	GAME HOSES MH		01
018A	0501080852	3/8" X 1500 TR-TM HOSE		02
018B	0501080360	HOSE		02
018C	0501080469	3/8" X 98.42" TR-TR HOSE ASSY		02
019	0501053834	MALE QUICK COUPLER		02
020	0521066680	HOLDER SUPPORT MANGUEIRA		04
021	0502012702	BODY SUPPORT CLAMP		02
022	0531011180	UPPER BODY CLIP		04
023	0503011338	7/16" X 1" BOLT		04
024	0503012555	SCREW 7/16 UNC X 2 CS RT G.7 ZN		02
025	0503010180	7/16" SPRING WASHER		06
026	0503010244	7/16" NUT		02
027	0581010955	PHL MARKER VALVE SUPPORT		01
028	0521012324	1/2" X 3.2" X 2.54" FASTENER		01

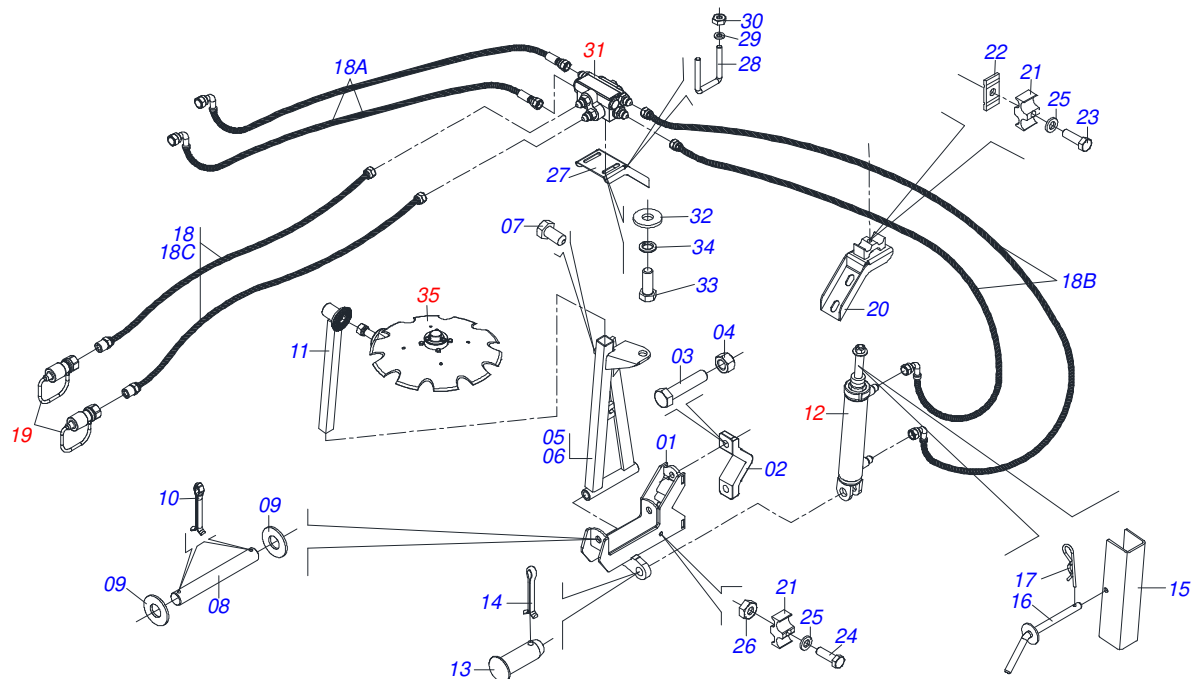


HYDRAULIC MARKER

0511059688

Item	Code	Description	See page	QT
029	0501013519	FLAT WASHER		02
030	0503011336	1/2" HEX SELF ADJUSTING NUT		02
031	0501054649	HBM SEQUENTIAL VALVE	22	01
032	0501010984	FLAT WASHER		02
033	0503011087	3/8" X 1" BOLT		02
034	0503010025	3/8" SPRING WASHER		02
35	0501050633	ROW MARKER DISK ASSEMBLY	23	02

HYDRAULIC MARKER



Item	Code	Description	See page	QT
001	0521063904	HYDRAULIC MARKER HANDLE HOLDER		02
002	0502010175	HITCH CLAMP		02
003	0501011543	5/8" X 4" BOLT		04
004	0503012412	5/8 UNC SELF LOCKING NUT		04
005	0521062818	BRACO LEFT MARKER LINE		01
006	0521062819	RIGHT ARM MARKER LINE		01
007	0501018535	1/2 X 1 BOLT		04
008	0571013458	AXIS Ø19,05 X 230	PHP	02
009	0501017065	FLAT WASHER		04
010	0503010577	3/16" X 1-1/4" COTTERPIN		04
011	0501069307	ROW MARKER ARM		02
012	0521040155	HYDRAULIC CYLINDER 31,75 X 50,8 X 365 X 595	21	02
013	0521010571	COUPLING SHAFT		02
014	0503010523	1/4" X 2" COTTERPIN		02
015	0561019695	TRANSPORT LOCK		02
016	0501068994	0.3" X 3.1" LOCK PIN		02
017	0503030168	CUPILLA		02
018	0511058496	PLAY MANGUEIRA MH PHL 7		01
018A	0501080397	3/8" X 120" TR-TC HOSE		02
018B	0501080408	HOSE 3/8 X 3200 TR-TC		02
018C	0501080852	3/8" X 1500 TR-TM HOSE		02
019	0501053834	MALE QUICK COUPLER		02
020	0521066680	HOLDER SUPPORT MANGUEIRA		06
021	0502012702	BODY SUPPORT CLAMP		02
022	0531011180	UPPER BODY CLIP		06
023	0503011338	7/16" X 1" BOLT		06
024	0503012555	SCREW 7/16 UNC X 2 CS RT G.7 ZN		02
025	0503010180	7/16" SPRING WASHER		08
026	0503010244	7/16" NUT		02
027	0581010955	PHL MARKER VALVE SUPPORT		01
028	0521012324	1/2" X 3.2" X 2.54" FASTENER		01



PHL

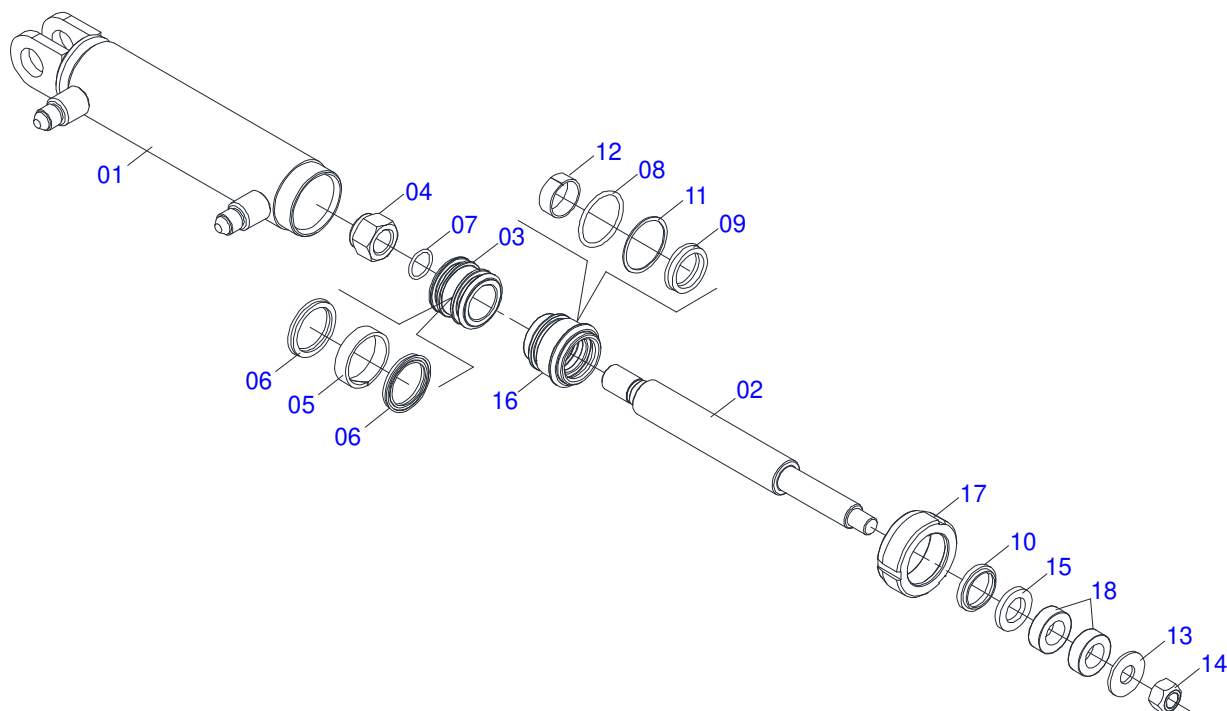
(UP TO 03/2022)

Page 20

HYDRAULIC MARKER

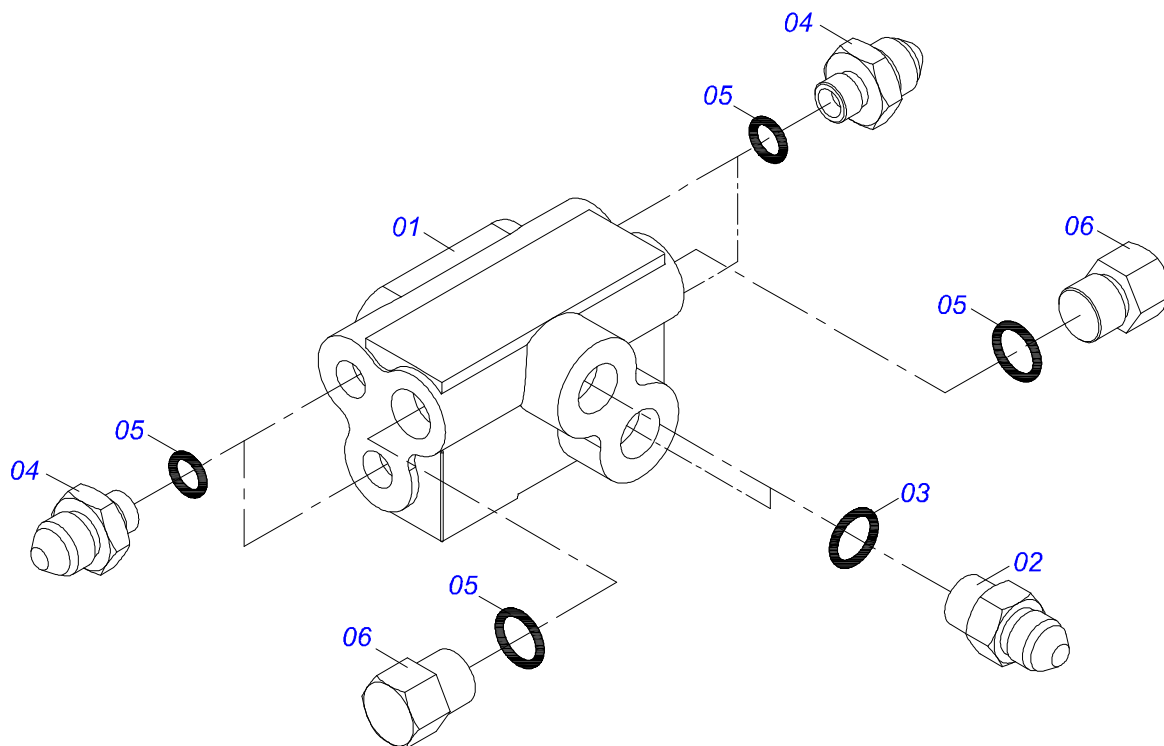
0511058491

Item	Code	Description	See page	QT
029	0501013519	FLAT WASHER		02
030	0503011336	1/2" HEX SELF ADJUSTING NUT		02
031	0501054649	HBM SEQUENTIAL VALVE	22	01
032	0501010984	FLAT WASHER		02
033	0503011087	3/8" X 1" BOLT		02
034	0503010025	3/8" SPRING WASHER		02
035	0501050633	ROW MARKER DISK ASSEMBLY	23	02



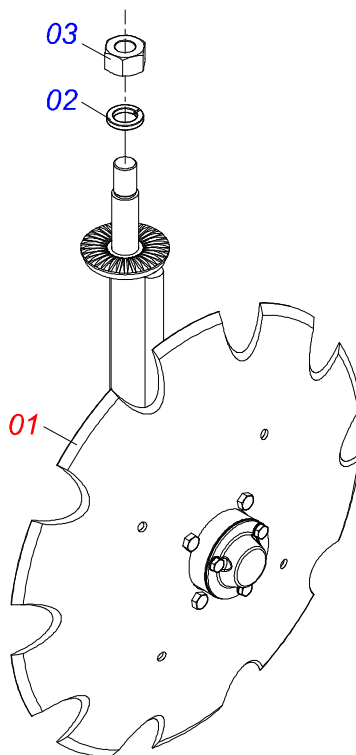
Item	Code	Description	See page	QT
01	0521062810	CYLINDER CASE		01
02	0571010344	31,75 X 456 ROD		01
03	0551019990	31,75 X 50,80 X 39,40 PISTON		01
04	0503010812	7/8" UNF SELF LOCKING NUT		01
05	0503010949	W2-2000-500 PK RING G.E		01
06	0503013920	GASKET 1870-1625		02
07	0503014677	2-118 O'RING		01
08	0503013917	O'RING 2-224		01
09	0503013914	1870-1250-312B GASKET		01
10	0503013915	D-1250 SCRAPER RING		01
11	0503013918	8-224 BACK-UP RING		01
12	0503014683	W1-1400-500 RING GUIDE		01
13	0501012140	FLAT WASHER		01
14	0503012412	5/8 UNC SELF LOCKING NUT		01
15	0571010576	SUPPORT WASHER		01
16	0571011410	SUPPORT RING CYLINDER LINE PHT4		01
17	0571011411	MOBILE COVER		01
18	0503033686	SLEEVE 22 X 38 X 12,50 RUBBER		02
19	0501038643	ASSEMBLY		01

HBM SEQUENTIAL VALVE

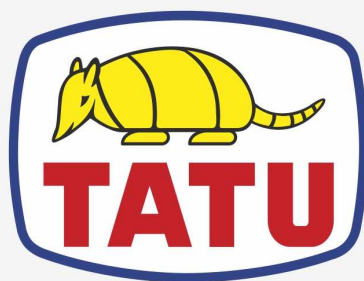


Item	Code	Description	See page	QT
01	0503060132	VDFS-002 T SEQUENCCEL VALVE		01
02	0501010617	3/4" NIPPLE		02
03	0503010190	2-114 N 3006-9B O'RING		02
04	0501012109	3/4" X 9/16" NIPPLE		04
05	0503011036	2-111 N 3006-9B O'RING		06
06	0531019339	9/16" UNF X 12 PUMP		02

ROW MARKER DISK ASSEMBLY



Item	Code	Description	See page	QT
01	0511053904	ROW MARKER DISC		01
02	0503010023	3/4" SPRING WASHER		01
03	0503010014	3/4" NUT		01



MARCHESAN

Technical Publications | Elaboration and Revision

JOSÉ DOMINGOS GASPARI

www.marchesan.com.br

