



PARTS CATALOGUE

PCA - AGRICULTURAL FRONT LOADER

Code:

0501091117

Product:

PCA 600 JD BT



Series:

S-0313

Revision:

00

Date Revision:

OUTUBRO/2014



PRODUCTS

Code	Description
0106110451	PCA 600 JD5403/5605/5705-4BTSC S303

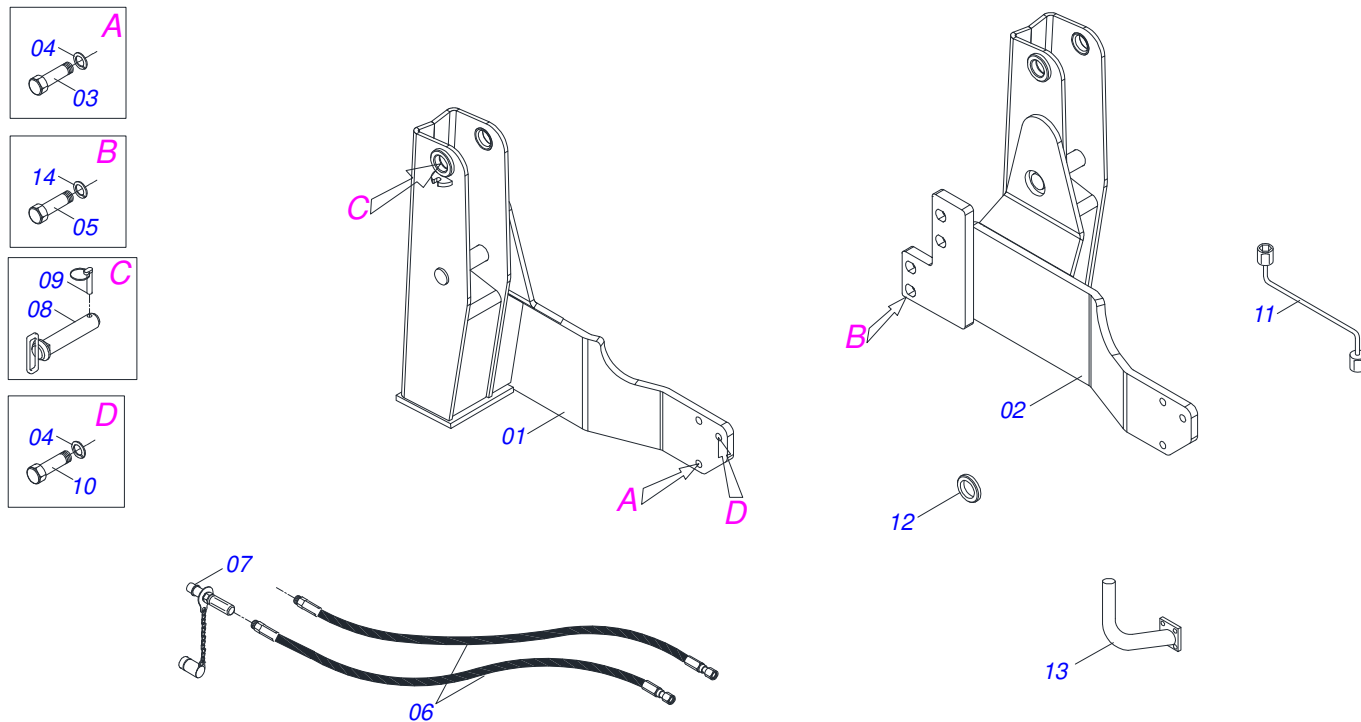
ATTENTION: IMPORTANT

Marchesan S.A. reserves the right to improve and / or modify the technical features of its products, without obligation to do the same with those products already sold and without prior knowledge of the dealer or the consumer.

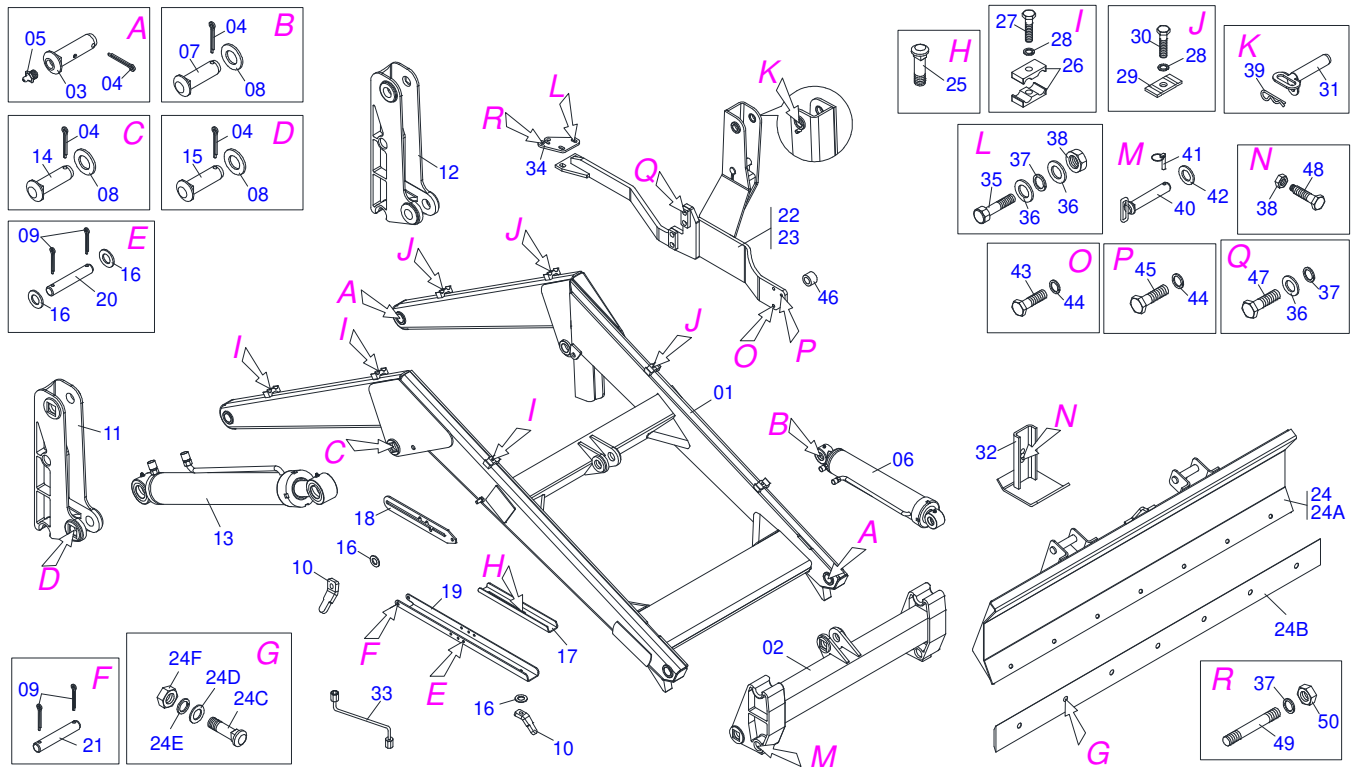


INDEX

0909093548	PCA 600 BT SC PCA 600 JD5403/5605/5705-4	1
0909091643	PCA 600 JD BT SC S-0311	2
0909094059	MOBILE SUPPORT PCA 600	3
0909091644	HYDRAULIC CIRCUIT	4
0511040627	1.7" X 3" X 26" X 16" HYDRAULIC CYLINDER	5
0511044861	HYDRAULIC CILINDER	6
0511043510	HYDRAULIC CYLINDER	7
0909090285	GSA 600	10
0909091333	EAG 600 COMPL 9 DENTES S-0597	11
0501048740	SAE COMPLETE FOR PCA 600/800/1100	12
0909091332	PAC 600 COMPL 1700 PERF ALTO S-498	13
0501048741	SAB COMPLETE FOR PCA 600/800/1100	14



Item	Code	Description	See page	QT
01	0511064002	RIGHT FRAME		01
02	0511064003	LEFT FRAME		01
03	0503011188	M16 X 2 X 50 BOLT		04
04	0503010027	5/8" SPRING WASHER		06
05	0503012758	M20 X 2,5 X 65 BOLT		08
06	0501081124	HOSE 3/8" X 4200-TM TR		04
07	0501053834	MALE QUICK COUPLER WITH CAP - 1/2 NPT		04
08	0511064616	1.5" X 6.9" COUPLING SHAFT		02
09	0503030430	7/16 X 2" PIN LOCK		02
10	0503012573	M16 X 2 X 65 BOLT		02
11	0501068213	5/8" WRENCH DOUBLE		01
12	0531016799	SLEEVE 34,93 X 16,50 X 20		02
13	0511064005	PROTRACTOR EXHAUST		01
14	0501010322	FLAT WASHER		08



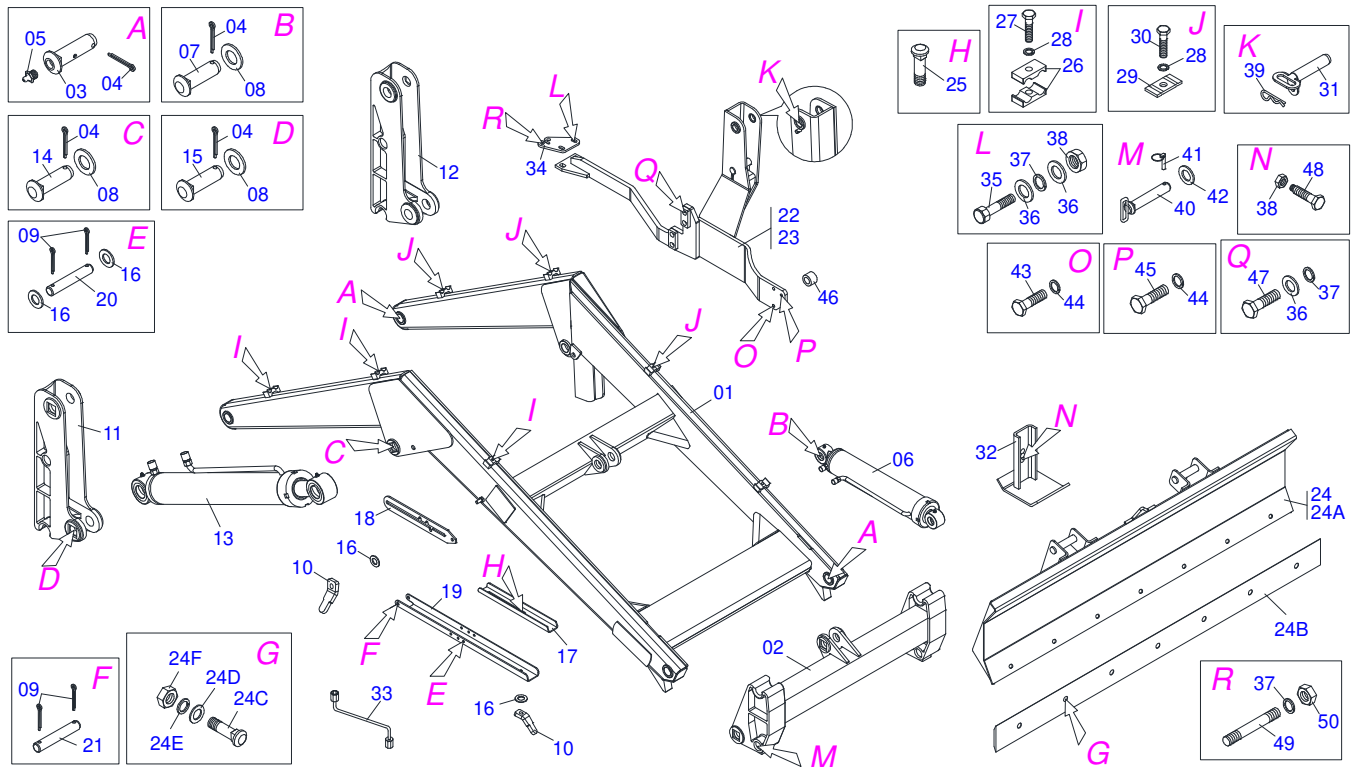
Item	Code	Description	See page	QT
01	0521061958	MOBILE SUPPORT		01
02	0501069934	ARTÍCULOS SOPORTE PCA 600 AX 5.80-4		01
03	0511019519	1.5" X 1.4" PIVOT SHAFT		04
04	0503010534	3/8 X 2-1/2 COTTERPIN		10
05	0503010002	1800 GREASE FITTING		04
06	0511057915	44,45 X 101,60 X 702 X 738 HIDRAULIC CYLINDER		01
07	0511019521	1.5" X 1.4" PIVOT SHAFT		02
08	0511019685	FLAT WASHER		06
09	0503010071	3/16" X 1" COTTERPIN		08
10	0561016329	LATCH HOLDER REST PCA		04
11	0502012382	RIGHT MOBILE TOWER		01
12	0502012381	LEFT MOBILE TOWER		01
13	0521050762	44,45 X 76,20 X 865 X 555 HYDRAULIC CYLINDER		02
14	0521010904	1.5" X 1.4" PIVOT SHAFT		02
15	0511019520	1.5" X 1.4" PIVOT SHAFT		02
16	0511017302	FLAT WASHER		08
17	0561016619	COMPLEMENTON REST		02
18	0511019634	CONTROL LOCK		02
19	0561016401	PLOUGH SUPPORT BODY		02
20	0521012823	COUPLING SHAFT		02
21	0511013598	3/4" X 4.7" COUPLING SHAFT		02
22	0521062041	RIGHT FRAME		01
23	0521062042	LEFT FRAME PCA 600 JD		01
24	0511047849	LDA 2200 WITHOUT SUPPORT		01
24A	0511064165	BLADE FRONT		01
24B	0531019518	SCRAPER 2220 X 6 X 1/2		01
24C	0501012239	5/8" X 1.3/4" BOLT		07
24D	0571010265	16.5 X 40 X 3 FLAT WASHER		07
24E	0503011445	SPRING WASHER		07
24F	0503010013	5/8" NUT		07
25	0503014378	1/2" X 1-1/2" BOLT		02



PCA 600 JD BT
PCA 600 JD BT SC S-0311

Page 2
0909091643

Item	Code	Description	See page	QT
26	0502010477	HOSE CLAMP		06
27	0503012555	SCREW 7/16 UNC X 2 CS RT G.7 ZN		03
28	0503010180	7/16" SPRING WASHER		06
29	0531011180	UPPER BODY CLIP		03
30	0503011102	BOLT 7/16 UNC X 1.1/4 C S G.5 ZN		03
31	0521061682	AXLE FIXER		02
32	0511064780	SHOE SLIDE LIGHT STABILIZING		02
33	0501068213	5/8" WRENCH DOUBLE		01
34	0561017651	DIFFERENTIAL SHOE		02
35	0501010500	3/4"X3"BOLT		04
36	0501010322	FLAT WASHER		12
37	0503010023	3/4" SPRING WASHER		16
38	0503010014	3/4" NUT		06
39	0503030012	HAIR PIN		02
40	0501069447	1.5" X 1.4" PIVOT SHAFT		02
41	0503030430	7/16 X 2" PIN LOCK		02
42	0501012916	FLAT WASHER 38,50 X 66 X 4,75 ZN		02
43	0503011188	M16 X 2 X 50 BOLT		04
44	0503010027	5/8" SPRING WASHER		06
45	0503012573	M16 X 2 X 65 BOLT		02
46	0531016799	SLEEVE 34,93 X 16,50 X 20		02
47	0503013104	M20 X 2,5 X 80 BOLT		08
48	0501018246	3/4" X 3" BOLT		02
49	0561017654	M20 X 2.5 X 270 THREADED ROD ZN		04
50	0503015985	M20 X 2.5 ZN HEXAGONAL NUT		08



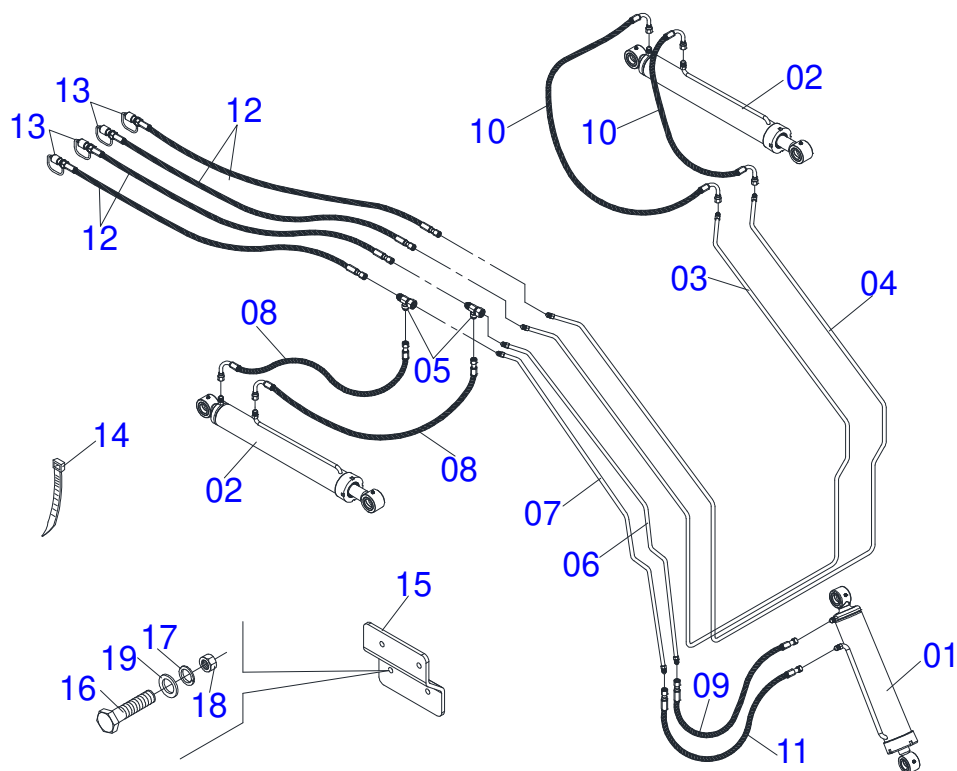
Item	Code	Description	See page	QT
01	0502012382	RIGHT MOBILE TOWER		01
02	0502012381	LEFT MOBILE TOWER		01
03	0501068663	MOBILE SUPPORT		01
04	0511019519	1.5" X 1.4" PIVOT SHAFT		02
05	0511019685	FLAT WASHER		06
06	0503010534	3/8 X 2-1/2 COTTERPIN		02
07	0503010002	1800 GREASE FITTING		06
08	0521050762	44,45 X 76,20 X 865 X 555 HYDRAULIC CYLINDER		02
09	0521010904	1.5" X 1.4" PIVOT SHAFT		02
10	0511019520	1.5" X 1.4" PIVOT SHAFT		02
11	0501068621	INNER OIL TUBE		01
12	0501068622	OUTER OIL TUBE		01
13	0501068615	OIL TUBE ASSY		01
14	0531011180	UPPER BODY CLIP		03
15	0503011102	BOLT 7/16 UNC X 1.1/4 C S G.5 ZN		03
16	0503010180	7/16" SPRING WASHER		03
17	0503012555	SCREW 7/16 UNC X 2 CS RT G.7 ZN		03
18	0501080688	3/8" X 25" TC-TC 90G HOSE		02
19	0503011968	3/4" 8R6X-S T ADAPTER WITH SWIVEL NUT		02
20	0511019876	1/2" NIPPLE		04
21	0501053835	FEMALE QUICK COUPLER		02
22	0501053834	MALE QUICK COUPLER WITH CAP - 1/2 NPT		02
23	0501080599	3/8 X 650 TC-TR HOSE		02
24	0501080637	3/4" X 2800 TR-TC HOSE		01
25	0501080709	3/8" X 21.6" TR-TR HOSE		01
26	0511057887	HYDRAULIC CYLINDER		01
27	0511019521	1.5" X 1.4" PIVOT SHAFT		02
28	0501068598	JOINT SUPPORT		01
29	0501069447	1.5" X 1.4" PIVOT SHAFT		02
30	0511047849	LDA 2200 WITHOUT SUPPORT		01
30A	0511064165	BLADE FRONT		01



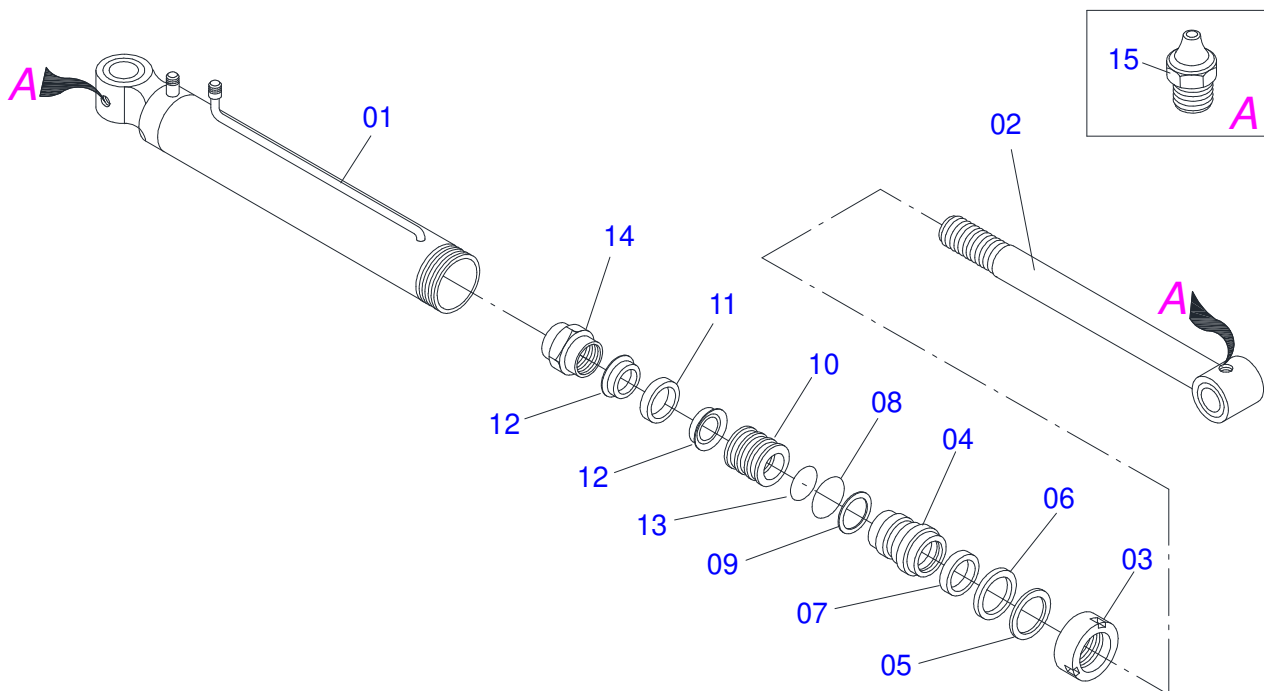
PCA 600 JD BT
MOBILE SUPPORT PCA 600

Page 3
0909094059

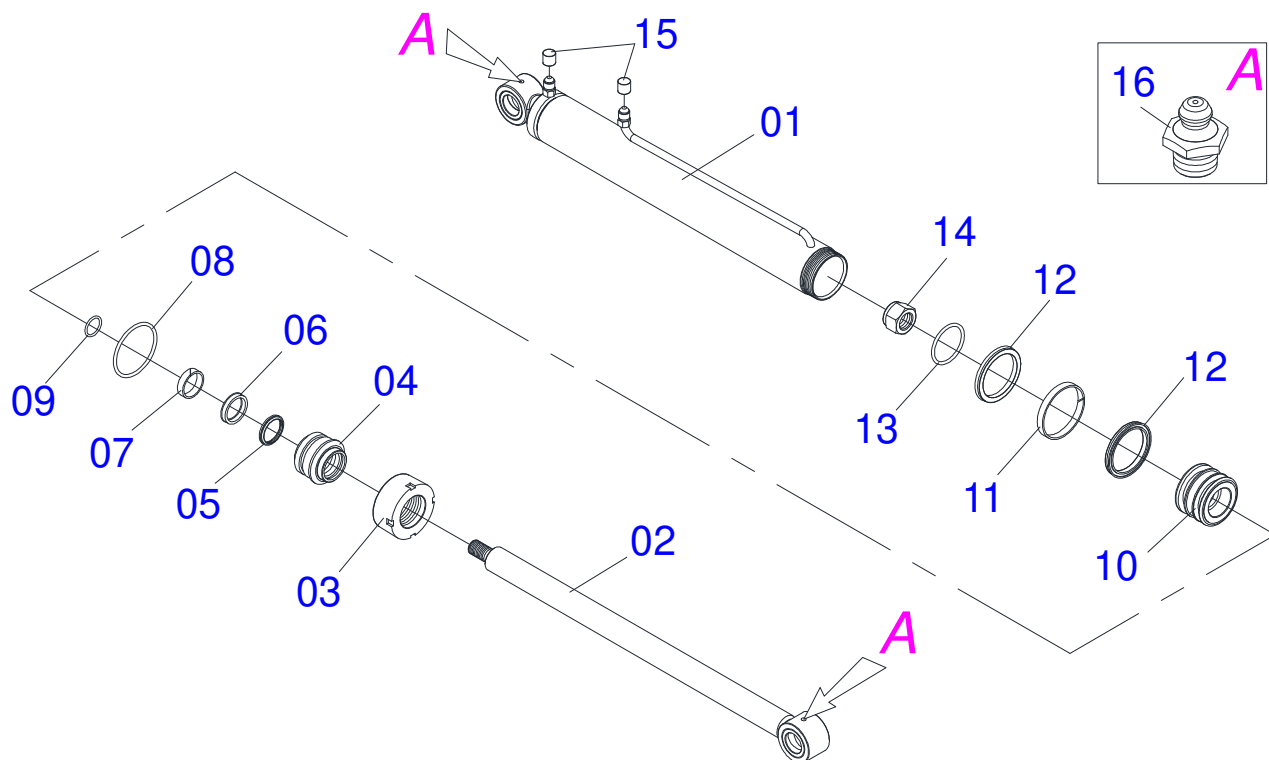
Item	Code	Description	See page	QT
30B	0531019518	SCRAPER 2220 X 6 X 1/2		01
30C	0501012239	5/8" X 1.3/4" BOLT		07
30D	0571010265	16.5 X 40 X 3 FLAT WASHER		07
30E	0503011445	SPRING WASHER		07
30F	0503010013	5/8" NUT		07
31	0561016401	PLOUGH SUPPORT BODY		02
32	0561016619	COMPLEMENTON REST		02
33	0511013598	3/4" X 4.7" COUPLING SHAFT		02
34	0503010071	3/16" X 1" COTTERPIN		08
35	0511019634	CONTROL LOCK		02
36	0511017302	FLAT WASHER		06
37	0561016329	LATCH HOLDER REST PCA		02
38	0503030430	7/16 X 2" PIN LOCK		02
39	0502010477	HOSE CLAMP		06
40	0521062856	INTERNAL LOWER OIL DISTRIBUTOR		01
41	0511064780	SHOE SLIDE LIGHT STABILIZING		02
42	0501018246	3/4" X 3" BOLT		02
43	0503014378	1/2" X 1-1/2" BOLT		02
44	0503010060	1/2" NUT		14
45	0521012823	COUPLING SHAFT		02
46	0521010514	38,1 X 52,9 X 50 SLEEVE INTER		06
47	0511019740	INTERNAL GLOVE 37.70 X 45.15 X 70		04



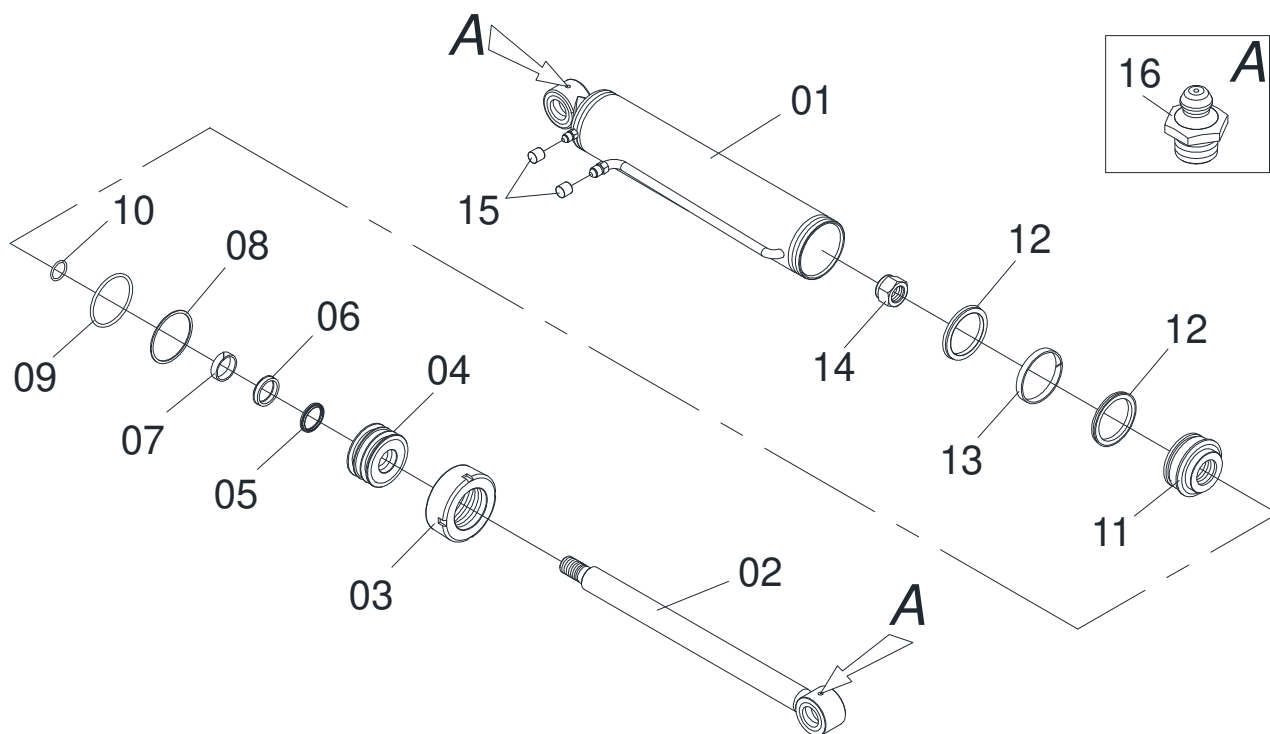
Item	Code	Description	See page	QT
01	0511057915	44,45 X 101,60 X 702 X 738 HIDRAULIC CYLINDER		01
02	0521050762	44,45 X 76,20 X 865 X 555 HYDRAULIC CYLINDER		02
03	0521061971	LEFT INTERNAL OIL DISTRIBUTOR		01
04	0521061972	LEFT OUTER OIL DISTRIBUTOR		01
05	0503011968	3/4" 8R6X-S T ADAPTER WITH SWIVEL NUT		02
06	0521061996	22Z GEAR		01
07	0521062948	UPPER OUTER OIL DISTRIBUTOR		01
08	0501080599	3/8 X 650 TC-TR HOSE		02
09	0501080635	3/8" X 19" TR-TR HOSE		01
10	0501080688	3/8" X 25" TC-TC 90G HOSE		02
11	0501080709	3/8" X 21.6" TR-TR HOSE		01
12	0501081124	HOSE 3/8" X 4200-TM TR		04
13	0501053834	MALE QUICK COUPLER WITH CAP - 1/2 NPT		04
14	0503013527	CLAMP ZIPER		04
15	0561017868	GLASS PROTECTION SUPPORT BRACKET		01
16	0503010371	5/16" X 1" BOLT		04
17	0503010179	5/16" ZN SPRING WASHER		04
18	0503010337	5/16" NUT		04
19	0501010694	8.5 X 18 X 1.5 FLAT WASHER		04



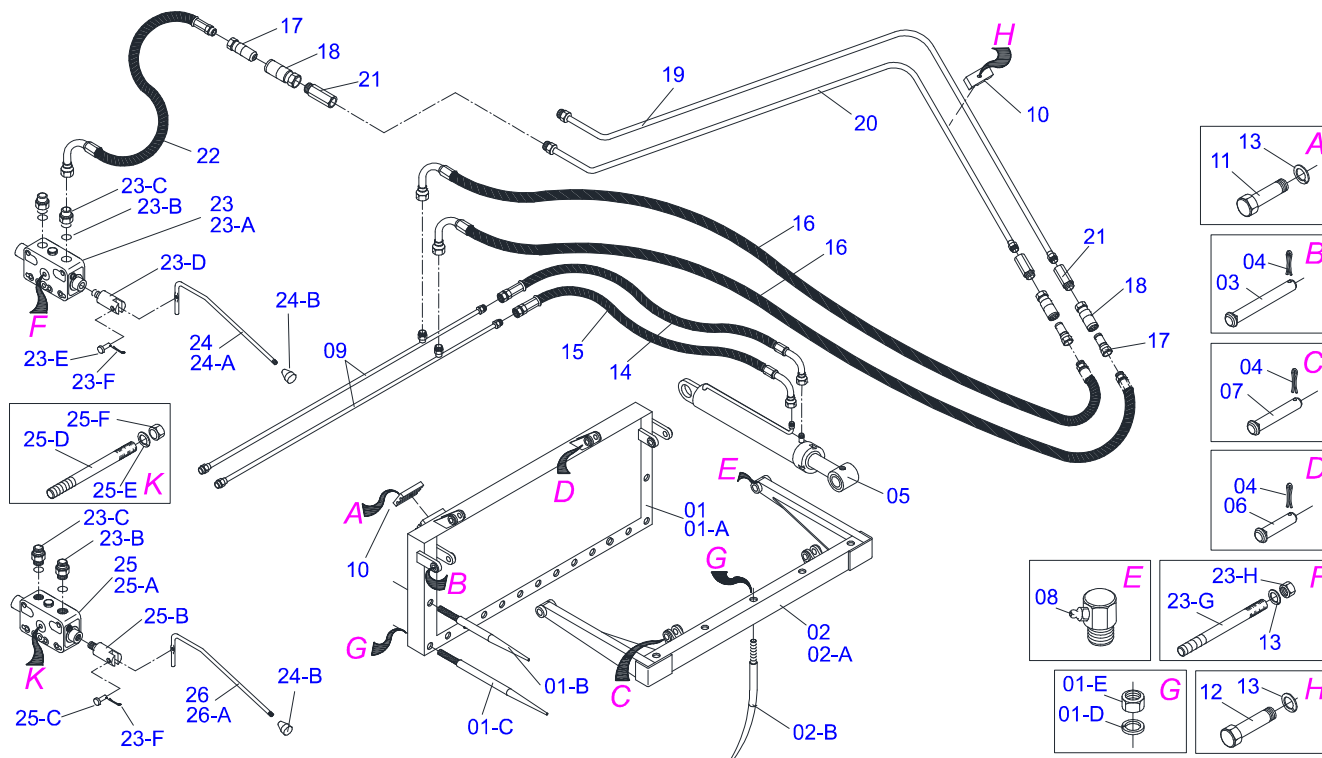
Item	Code	Description	See page	QT
01	0511063212	3" X 23" CYLINDER CASE		01
02	0501068711	1.7" X 22" TURNBUCLE		01
03	0502011899	MOBILE COVER		01
04	0502011897	RING SUPPORT		01
05	0503010761	D-1750 SCRAPER RING		01
06	0503010990	GASKET		01
07	0503010949	W2-2000-500 PK RING G.E		01
08	0503010343	2-334 N 3006-9B O'RING		01
09	0503011059	8-334 BACK-UP RING		01
10	0502011898	1.8" X 3.0" PISTON		01
11	0503010992	W2-3000-500 PK RING G.E		01
12	0503012768	3750-2250 GASKET		02
13	0503010042	2-214 N 3006-9B O'RING		01
14	0503010063	1" SELF-ALIGNING NUT		01
15	0503010002	1800 GREASE FITTING		02
16	0503030387	PLUG		02



Item	Code	Description	See page	QT
00	0511044861	HYDRAULIC CILINDER	6	01
01	0511067373	76,2 X 740 CYLINDER CASE		01
02	0511067374	44,45 X 756 TURNBUCKLE		01
03	0502011899	MOBILE COVER		01
04	0502011897	RING SUPPORT		01
05	0503010761	D-1750 SCRAPER RING		01
06	0503010990	GASKET		01
07	0503010949	W2-2000-500 PK RING G.E		01
08	0503010343	2-334 N 3006-9B O'RING		01
09	0503011059	8-334 BACK-UP RING		01
10	0502011898	1.8" X 3.0" PISTON		01
11	0503010992	W2-3000-500 PK RING G.E		01
12	0503012768	3750-2250 GASKET		02
13	0503010345	2-218 N 3006-9B O'RING		01
14	0503010063	1" SELF-ALIGNING NUT		01
15	0503030387	PLUG		02
16	0503010002	1800 GREASE FITTING		02
17	0501036185	HYDRAULIC CYLINDER REPAIR KIT		01



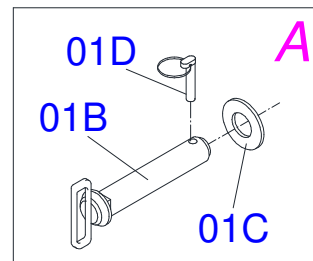
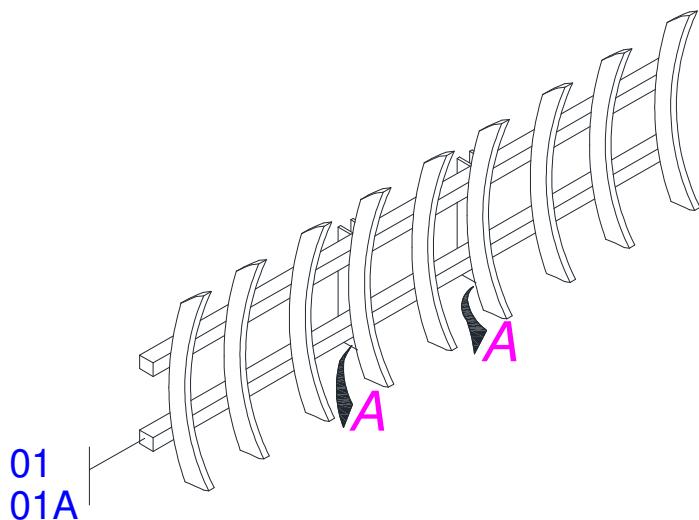
Item	Code	Description	See page	QT
01	0511066339	101,6 X 548 CYLINDER CASE - PCA 600		01
02	0511066340	TURNBUCLELE		01
03	0502010017	4" HEAD		01
04	0571015239	RING SUPPORT		01
05	0503010761	D-1750 SCRAPER RING		01
06	0503010990	GASKET		01
07	0503010949	W2-2000-500 PK RING G.E		01
08	0503011061	8-342 BACK-UP RING		01
09	0503010338	2-342 N 3006-9B O'RING		01
10	0503010345	2-218 N 3006-9B O'RING		01
11	0571015240	PISTON		01
12	0503010043	PACKING 3750-3250		02
13	0503010994	W2-4000-500 PK RING G.E		01
14	0503010817	1.1/4" SELF LOCKING NUT		01
15	0503030385	CYLINDER PLUG N-002		02
16	0503010002	1800 GREASE FITTING		02



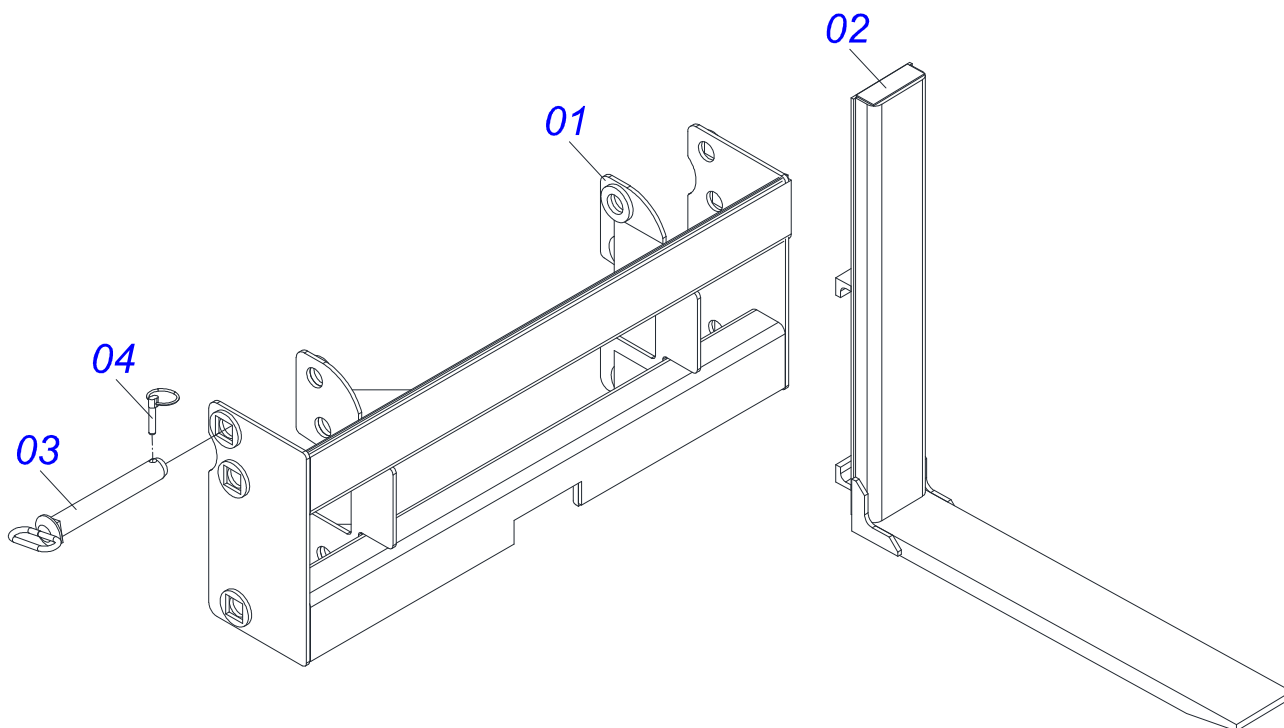
Item	Code	Description	See page
00	0501047458	1/2" CONTROL VALVE ASSY FOR GSA 600	01
00A	0511040471	3/8" CONTROL VALVE ASSY FOR GSA 600	01
01	0501051502	FIXED FRAME WITH TEETH	01
01A	0501068609	FIXED FRAME	01
01B	0511019542	1-1/2" X 26" STRAIGHT TEETH	02
01C	0511019543	1-1/2" X 30" STRAIGHT TEETH	13
01D	0503010012	1" SPRING WASHER	20
01E	0503010340	1" NUT	20
02	0501051503	MOBILE FRAME WITH TEETH	01
02A	0501068610	MOBILE FRAME	01
02B	0511019544	1-1/2" X 26" BENT TOOTH	05
03	0511019623	0.9" X 5.4" COUPLING SHAFT	02
04	0503010571	1/4" X 1.1/2 COTTERPIN	06
05	0501047447	HYDRAULIC CYLINDER	02
06	0511019621	0.9" X 2.8" COUPLING SHAFT	02
07	0511019622	0.9" X 4.0" COUPLING SHAFT	02
08	0503010004	1890 GREASE FITTING	02
09	0501068686	OIL TUBE	02
10	0502010477	HOSE CLAMP	05
11	0503010751	C3/8" X 1.1/4" HEX BOLT G.5	02
12	0501010096	3/8" X 2" BOLT	03
13	0503010025	3/8" SPRING WASHER	13
14	0501080599	3/8 X 650 TC-TR HOSE	02
15	0501080328	3/8" X 29" TR-TC HOSE	02
16	0501080597	3/8" X 43" TC-TM HOSE	02
17	0501053834	MALE QUICK COUPLER WITH CAP - 1/2 NPT	04
18	0501053835	FEMALE QUICK COUPLER	04
19	0511061634	LEFT OIL TUBE	01
20	0511061635	RIGHT OIL TUBE	01
21	0511019876	1/2" NIPPLE	04
22	0501080473	3/8" X 120" TC-TM HOSE	02



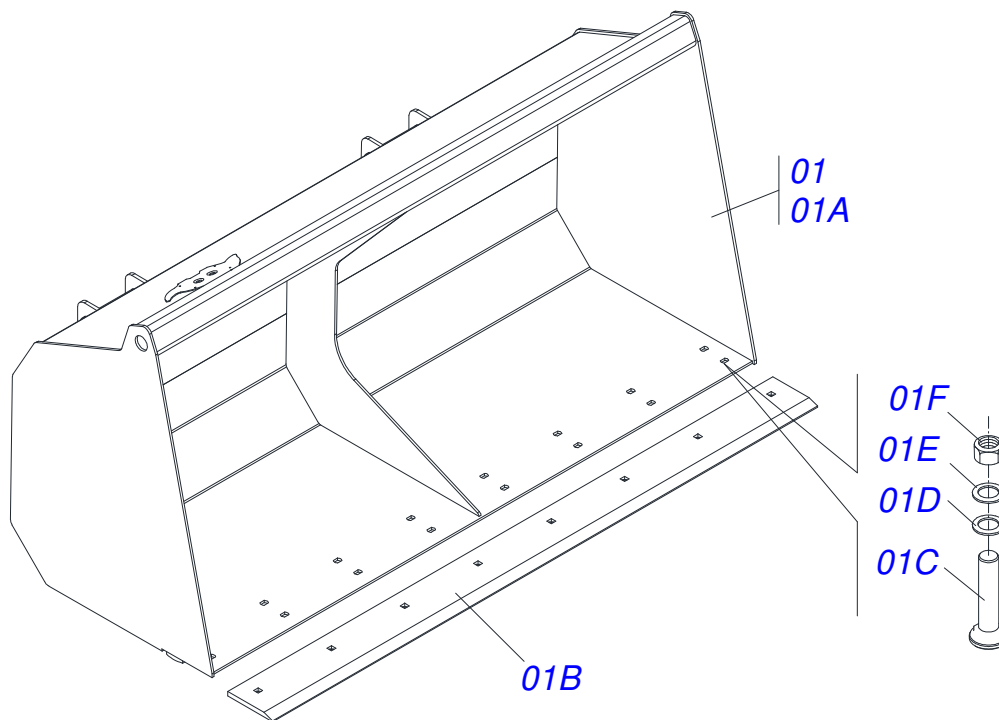
Item	Code	Description	See page
23	0501053055	1/2" CENTER BODY WITH 3/8" NIPPLES	01
23A	0503010423	1/2" CENTER BODY	01
23B	0503010045	O'RING	02
23C	0511010111	7/8" NIPPLE	02
23D	0503030265	UPPER LEVER (PARKER 1/2")	01
23E	0521010533	0.3" X 1" COUPLING SHAFT	01
23F	0503010140	1/8" X 3/4" COTTERPIN	01
23G	0501016988	3/8" X 3/8" X 10.6" STUD	04
23H	0503010026	3/8" NUT	08
24	0501047446	CONTROL VALVE (P/COM 1/2 PCA)	01
24A	0501068681	1/2" CONTROL VALVE	01
24B	0503030878	LEVER CRANK	01
25	0501053585	3/8" CENTER BODY WITH NIPPLES	01
25A	0503010504	3/8" CENTER BODY	01
25B	0503011050	LOWER LEVER	01
25C	0521010532	0.3" X 0.9" COUPLING SHAFT	01
25D	0521014825	5/16 UNC X 5/16 UNC X 200 PRISONER	03
25E	0503010179	5/16" ZN SPRING WASHER	06
25F	0503010337	5/16" NUT	06
26	0511040480	CONTROL VALVE	01
26A	0511064635	CONTROL VALVE (PCA)	01
26B	0503030878	LEVER CRANK	01



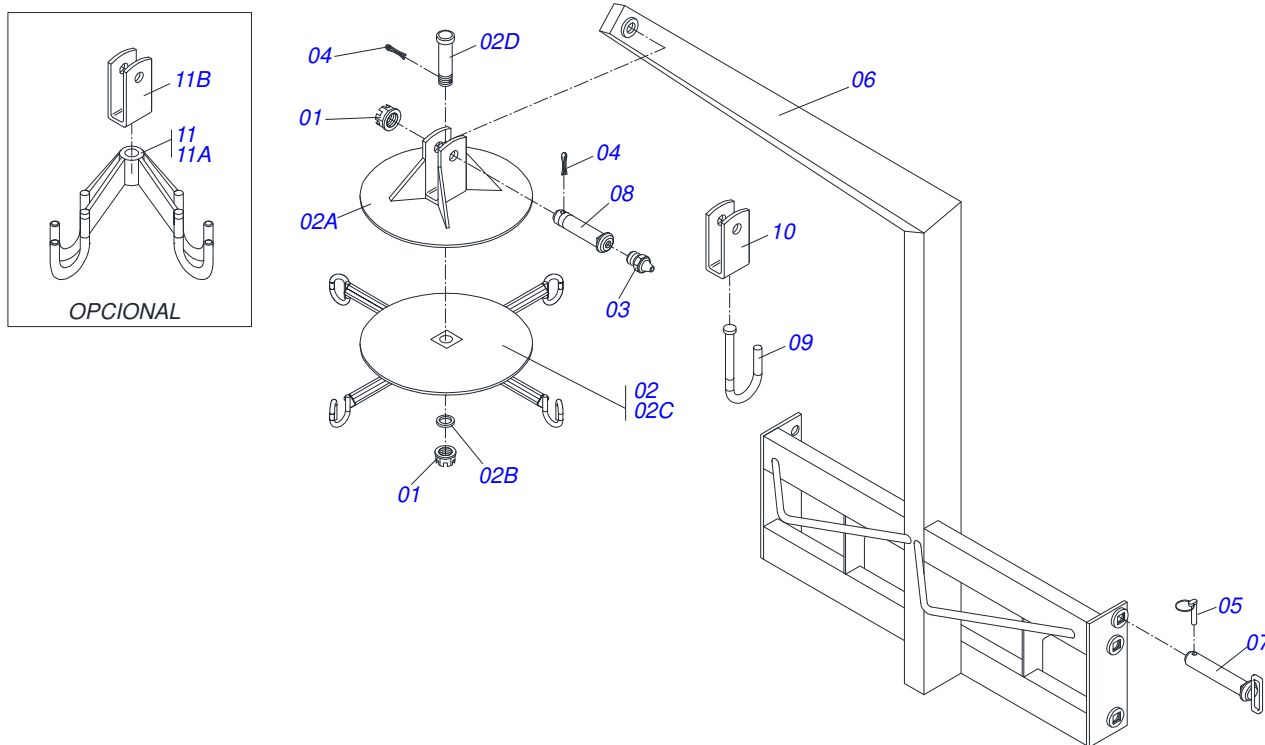
Item	Code	Description	See page
01	0501047457	EAG 600 9 TEETH ASSY	01
01A	0501068593	2400 ROOT RAKER	01
01B	0501069447	1.5" X 1.4" PIVOT SHAFT	04
01C	0511019685	FLAT WASHER	04
01D	0503030430	7/16 X 2" PIN LOCK	04



Item	Code	Description	See page
01	0511060430	CHARGING BAR SUPPORT	01
02	0511060429	CHARGING BAR	02
03	0511060428	DRAWBOLT	04
04	0503030430	7/16 X 2" PIN LOCK	04



Item	Code	Description	See page
01	0501047459	PAC 600 WITH BUCKET 1700MM HIGH PRO	01
01A	0501068594	66.9" BUCKET WITH HIGH PROFILE	01
01B	0622360007	67.0" SCRAPER BUCKET	01
01C	0501010078	1/2" X 1-1/2" BOLT	08
01D	0511017302	FLAT WASHER	08
01E	0503010019	1/2" SPRING WASHER	08
01F	0503010020	1/2"NUT	08



Item	Code	Description	See page
01	0501011301	1.1/2 UNC 6FPP 2.5/16 NUT	02
02	0501043072	CROSSPIECE ASSY GAT-R	01
02A	0511068703	U COUPLING CROSSPIECE	01
02B	0501012916	FLAT WASHER 38,50 X 66 X 4,75 ZN	01
02C	0501064477	CROSSPIECE	01
02D	0521010555	1-1/2" X 5.5" COUPLING SHAFT	01
03	0503010002	1800 GREASE FITTING	01
04	0503010010	1/4" X 2.1/2" COTTERPIN	02
05	0503030430	7/16 X 2" PIN LOCK	04
06	0511060426	CROSSPIECE SUPPORT	01
07	0511060428	DRAWBOLT	04
08	0521012828	1.5" X 6.8" PIVOT SHAFT	01
09	0501064475	1-1/4" HOOK	01
10	0501069722	U HOOK	01
11	0501053565	CROSSPIECE ASSY FOR SAB/PD/PCA	01
11A	0511060427	CROSSPIECE	01
11B	0501069721	U COUPLING FOR CROSSPIECE	01



ANNOTATION



MARCHESAN

Lined writing area consisting of 20 horizontal gray lines.





www.marchesan.com.br



Technical Publications | Elaboration and Revision
ALESSANDRA PATRICIA KAWAHARA CARRILI