

OFFSET DISK HARROW

**GCRO 7012 (AXLE 2.1/8" E 1.3/4") RIGID
HYDRAULIC/ARTICULATED 28 A 56 DISCS**

Code: 0501091112
Series: S-1006
Revision: 00
Date Revision: MAIO/2022

**PARTS
CATALOGUE**



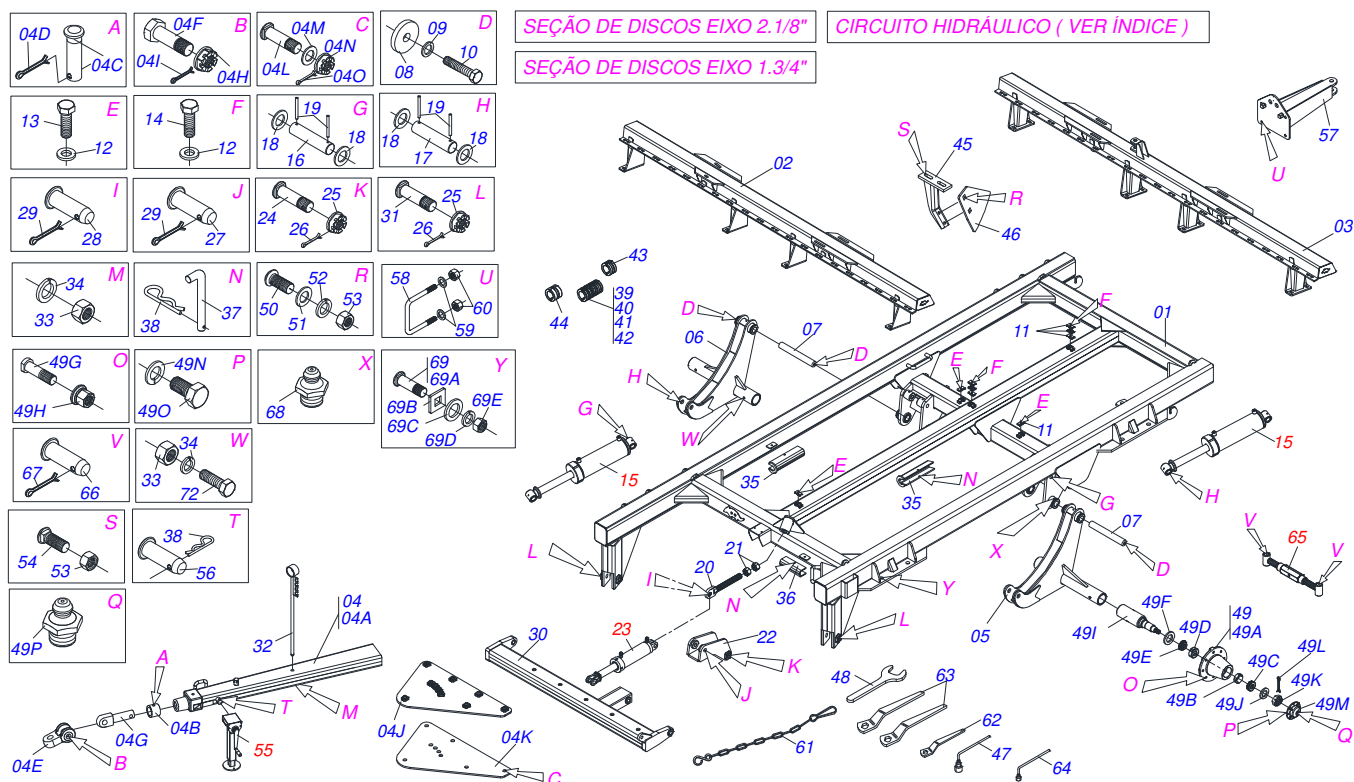
MARCHESAN



MARCHESAN

INDEX

0909091483	SEMI STUBBLE WHEEL OFFSET DISK HARROW	1
0909091486	SEMI STUBBLE WHEEL OFFSET DISK HARROW	2
0909091491	SEMI STUBBLE WHEEL OFFSET DISK HARROW	3
0511048088	DRAWBAR JACK	4
0501052005	STABILIZER FOR GANG	5
0511048619	HYDRAULIC CYLINDER	6
0511048617	HYDRAULIC CYLINDER	7
0511048618	101,6 X 810 HYDRAULIC CYLINDER	8
0909090573	AXLE DISC SECTION 2.1/8" - 28 TO 56D	9
0909090574	AXLE DISC SECTION 1.3/4" - 36/40/50D	10
0511044750	292MM X 1.3/4" RD. OIL BATH BEARING	11
0511047876	292 X 2.1/8" OIL BATH BEARING	12
0501043202	262 X 1-5/8" OIL BATH BRG ASSY, RG	13
0909093381	28/48D - HYDRAULIC CIRCUIT	14
0909091453	52 TO 60 HYDRAULIC CIRCUIT	15



Item	Code	Description	See page	28 32
01	0511066590	FRAME GCRO 7010/7012		01 01
02	0511067803	FRONT FRAME		01 00
02.	0521061509	FRONT FRAME		00 01
03	0511067804	REAR FRAME		01 00
03.	0521061517	REAR FRAME		00 01
04	0511041592	DRAWBAR ASSY		01 01
04A	0511064669	DRAWBAR ASSY		01 01
04B	0502040263	ANEL TRAVA ENGATE		01 01
04C	0561017306	COUPLING SHAFT		01 01
04D	0503010523	1/4" X 2" COTTERPIN		01 01
04E	0502040293	YH-90 CLEVIS		01 01
04F	0511067199	2" BOLT		01 01
04G	0502040264	DRAWBOLT		01 01
04H	0502040558	2" CASTLE NUT		01 01
04I	0503010074	3/8 X 0,15" COTTERPIN		01 01
04J	0511064659	UPPER PLATE		01 01
04K	0511064658	LOWER PLATE		01 01
04L	0521011880	37,5 X 242 COUPLING SHAFT		01 01
04M	0501012916	FLAT WASHER 38,50 X 66 X 4,75 ZN		01 01
04N	0501011301	1.1/2 UNC 6FPP 2.5/16 NUT		01 01
04O	0503010010	1/4" X 2.1/2" COTTERPIN		01 01
05	0511066611	LEFT CARRYING-WHEELS SUPPORT		01 01
06	0511066741	RIGHT CARRYING-WHEELS SUPPORT		01 01
07	0531018062	COUPLING SHAFT		02 02
08	0521011565	FLAT WASHER		04 04
09	0503010012	1" SPRING WASHER		04 04
10	0503011250	1" X 2" BOLT		04 04
11	0502012702	BODY SUPPORT CLAMP		09 09
12	0503010180	7/16" SPRING WASHER		05 05
13	0503012555	SCREW 7/16 UNC X 2 CS RT G.7 ZN		03 03
14	0503010850	BOLT 7/16 UNC X 3 CS G.5 ZN		02 02



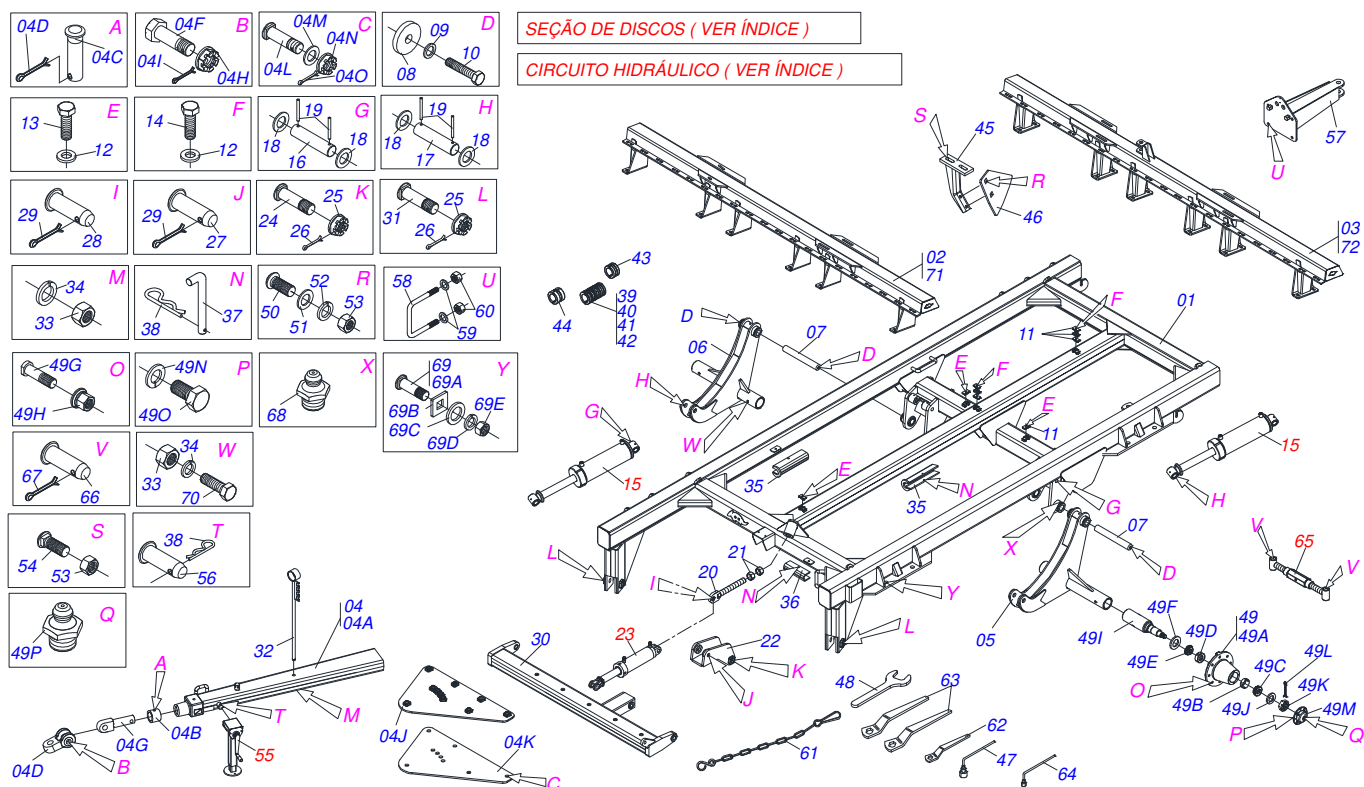
**GCRO 7012 (AXLE 2.1/8" E 1.3/4") RIGID
SEMI STUBBLE WHEEL OFFSET DISK HARROW**

Item	Code	Description	See page	28 32
15	0511048619	HYDRAULIC CYLINDER	6	02 02
16	0531018105	1.2" X 11.8" PIVOT SHAFT		02 02
17	0531018101	1.2" X 6.3" PIVOT SHAFT		02 02
18	0501017779	32 X 60 X 4.75 FLAT WASHER		08 08
19	0503011877	0.3" X 2.4" SPRING PIN		08 08
20	0511064433	REGULATOR SPINDLE 1-3/4		01 01
21	0501010333	1.3/4" NUT		02 02
22	0511064656	DRAWBAR PIVOT		01 01
23	0511048617	HYDRAULIC CYLINDER	7	01 01
24	0521012053	1.5" X 8.6" AXLE		01 01
25	0501011301	1.1/2 UNC 6FPP 2.5/16 NUT		03 03
26	0503010010	1/4" X 2.1/2" COTTERPIN		03 03
27	0531019171	1.25" X 7" COUPLING SHAFT		01 01
28	0521012538	1.2" X 3.5" COUPLING SHAFT		01 01
29	0503010523	1/4" X 2" COTTERPIN		02 02
30	0511066478	HITCH BAR		01 01
31	0531018100	37,50 X 200 COUPLING SHAFT		02 02
32	0511064470	HOSE HOLDER ASSY		01 01
33	0503010014	3/4" NUT		05 05
34	0503010023	3/4" SPRING WASHER		05 05
35	0511064985	TRANSPORT LOCK		02 02
36	0551010332	TRANSPORT LOCK		01 01
37	0541016844	FIXER LOCK		03 03
38	0503030168	HITCH PIN CLIP		04 04
39	0501047895	ROD STOP		03 03
40	0501047896	1.18" ROD STOP		03 03
41	0501047897	1.38" ROD STOP		03 03
42	0501047898	1.57" ROD STOP		03 03
43	0501047917	1.96" ROD STOP		03 03
44	0501047924	ROD STOP		03 03
45	0521061053	CLEANER SUPPORT		29 33
46	0561014263	CLEANER SHOVEL		29 33
47	0501052300	SEMIFINISHED FRAME		01 01
48	0541015451	FIXED KEY 2.3/8 X 2.3/4		01 01
49	0501056467	STUB SHAFT & HUB ASSY		04 04
49A	0502012260	TRANSPORT WHEEL BOX		04 04
49B	0503013270	3720 CAP		04 04
49C	0503013271	3780 CONE		04 04
49D	0503013266	2720 CAP		04 04
49E	0503013267	2780 CONE		04 04
49F	0503013314	RETAINER 5166-GB 63,5 X 110 X 13 ARCA		04 04
49G	0501010186	WHEEL SCREW 5/8UNF X 2.1/8CR		32 32
49H	0503010064	5/8 UNF CONIC NUT		32 32
49I	0541016566	POINT AXIS 3.1/2 X 375		04 04
49J	0511012492	FLAT WASHER		04 04
49K	0503030009	1" CASTLE NUT		04 04
49L	0503010018	5/32 X 1-1/2 COTTERPIN		04 04
49M	0502020591	PROTECCION COVER		04 04
49N	0503011444	SPRING WASHER		16 16
49O	0503010358	5/16" X 5/8" BOLT		16 16
49P	0503010002	1800 GREASE FITTING		04 04
50	0503012195	5/8" NUT		58 58
51	0501012140	FLAT WASHER		66 66
52	0503010027	5/8" SPRING WASHER		62 62
53	0503010013	5/8" NUT		116 116
54	0503012699	BOLT 5/8NC X 2 CAPQ G.5 ZN 1K20548		58 58
55	0511048088	DRAWBAR JACK	4	01 01
56	0541011345	16 X 68 PLUGER		01 01
57	0501069421	REAR HITCH GCRO		01 01



**GCRO 7012 (AXLE 2.1/8" E 1.3/4") RIGID
SEMI STUBBLE WHEEL OFFSET DISK HARROW**

Item	Code	Description	See page	28 32
58	0541016679	7/8 UNF X 188,5 FASTENER		02 02
59	0503010408	7/8" SPRING WASHER		04 04
60	0503010558	7/8" NUT		04 04
61	0503013150	1300 X 3/8 CHAIN		01 01
62	0501011432	1-1/2" AND 1-5/8 GANG BOLT WRENCH		01 01
63	0501011431	1-3/4" GANG BOLT WRENCH		02 02
64	0501061609	3/4" WRENCH CABLE CYLINDRICAL		01 01
65	0501052005	STABILIZER FOR GANG	5	01 01
66	0521010546	1.2" X 5.7" COUPLING SHAFT		02 02
67	0503010523	1/4" X 2" COTTERPIN		02 02
68	0503010002	1800 GREASE FITTING		20 20
69	0501041102	1-1/4" X 3-3/4" ASSY BOLT		08 08
69A	0501015348	1-1/4" X 3-3/4" BOLT		08 08
69B	0501010953	1-1/4" SQUARE WASHER		08 08
69C	0531010713	FLAT WASHER		08 08
69D	0503010070	SPRING WASHER		08 08
69E	0501010087	1.1/4" NUT		08 08
70	0503013185	3/4" X 5-1/2" BOLT		04 04



Item	Code	Description	See page	36 40
01	0511066590	FRAME GCRO 7010/7012		01 01
02	0511067752	FRONT FRAME 5920		00 01
03	0511067753	REAR FRAME 6220		00 01
04	0511041592	DRAWBAR ASSY		01 01
04A	0511064669	DRAWBAR ASSY		01 01
04B	0502040263	ANEL TRAVA ENGATE		01 01
04C	0501014219	32M107 PIN		01 01
04D	0503010523	1/4" X 2" COTTERPIN		01 01
04E	0502040293	YH-90 CLEVIS		01 01
04F	0511067199	2" BOLT		01 01
04G	0502040264	DRAWBOLT		01 01
04H	0502040558	2" CASTLE NUT		01 01
04I	0503010074	3/8 X 0,15" COTTERPIN		01 01
04J	0511064659	UPPER PLATE		01 01
04K	0511064658	LOWER PLATE		01 01
04L	0521011880	37,5 X 242 COUPLING SHAFT		01 01
04M	0501012916	FLAT WASHER 38,50 X 66 X 4,75 ZN		01 01
04N	0501011301	1.1/2 UNC 6FPP 2.5/16 NUT		01 01
04O	0503010010	1/4" X 2.1/2" COTTERPIN		01 01
05	0511066611	LEFT CARRYING-WHEELS SUPPORT		01 01
06	0511066741	RIGHT CARRYING-WHEELS SUPPORT		01 01
07	0531018062	COUPLING SHAFT		02 02
08	0521011565	FLAT WASHER		04 04
09	0503010012	1" SPRING WASHER		04 04
10	0503011250	1" X 2" BOLT		04 04
11	0502012702	BODY SUPPORT CLAMP		09 09
12	0503010180	7/16" SPRING WASHER		05 05
13	0503012555	SCREW 7/16 UNC X 2 CS RT G.7 ZN		03 03
14	0503010850	BOLT 7/16 UNC X 3 CS G.5 ZN		02 02
15	0511048619	HYDRAULIC CYLINDER	6	02 02
16	0531018105	1.2" X 11.8" PIVOT SHAFT		02 02



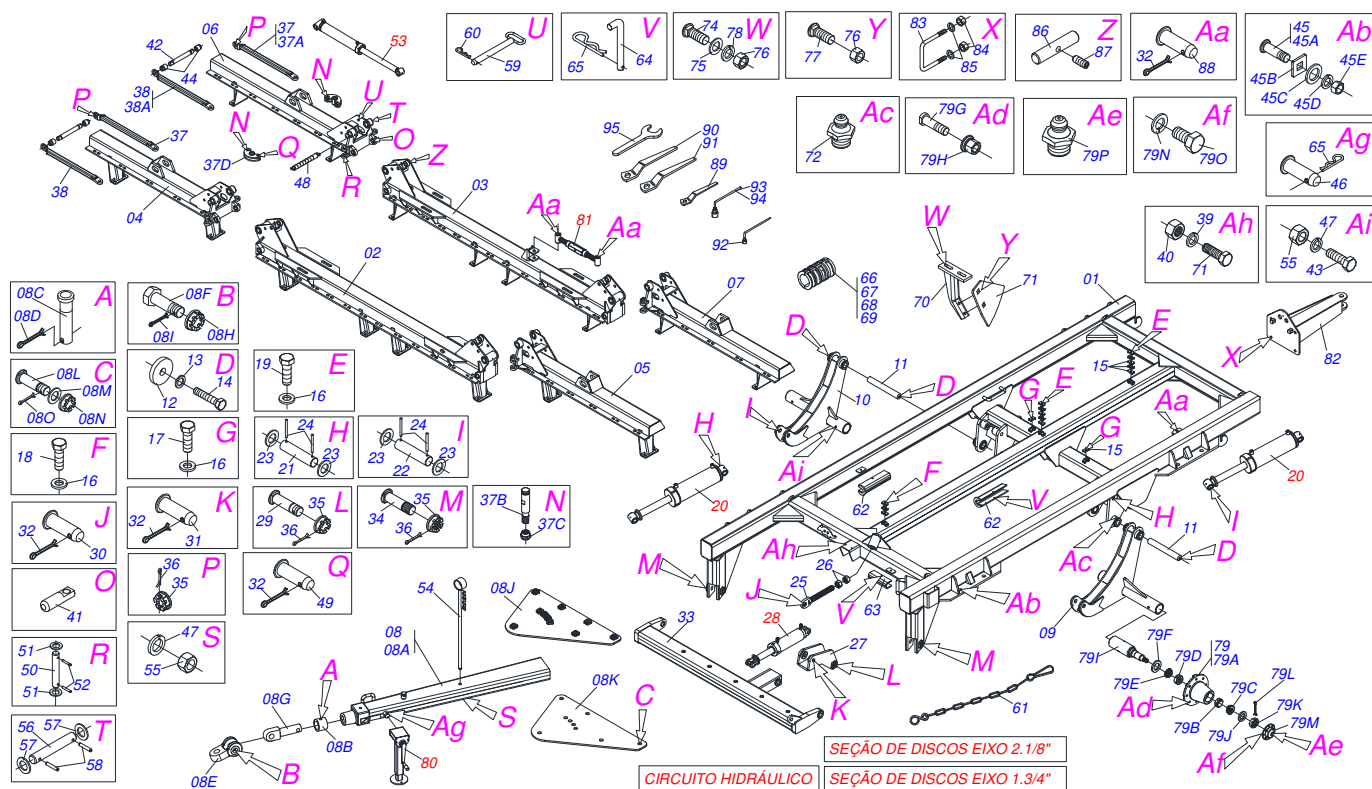
**GCRO 7012 (AXLE 2.1/8" E 1.3/4") RIGID
SEMI STUBBLE WHEEL OFFSET DISK HARROW**

Item	Code	Description	See page	36 40
17	0531018101	1.2" X 6.3" PIVOT SHAFT		02 02
18	0501017779	32 X 60 X 4.75 FLAT WASHER		08 08
19	0503011877	0.3" X 2.4" SPRING PIN		08 08
20	0511064433	REGULATOR SPINDLE 1-3/4		01 01
21	0501010333	1.3/4" NUT		02 02
22	0511064656	DRAWBAR PIVOT		01 01
23	0511048617	HYDRAULIC CYLINDER	7	01 01
24	0521012053	1.5" X 8.6" AXLE		01 01
25	0501011301	1.1/2 UNC 6FPP 2.5/16 NUT		03 03
26	0503010010	1/4" X 2.1/2" COTTERPIN		03 03
27	0531019171	1.25" X 7" COUPLING SHAFT		01 01
28	0521012538	1.2" X 3.5" COUPLING SHAFT		01 01
29	0503010523	1/4" X 2" COTTERPIN		02 02
30	0511066478	HITCH BAR		01 01
31	0531018100	37,50 X 200 COUPLING SHAFT		02 02
32	0511064470	HOSE HOLDER ASSY		01 01
33	0503010014	3/4" NUT		05 05
34	0503010023	3/4" SPRING WASHER		05 05
35	0511064985	TRANSPORT LOCK		02 02
36	0551010332	TRANSPORT LOCK		01 01
37	0541016844	FIXER LOCK		03 03
38	0503030168	HITCH PIN CLIP		04 04
39	0501047895	ROD STOP		03 03
40	0501047896	1.18" ROD STOP		03 03
41	0501047897	1.38" ROD STOP		03 03
42	0501047898	1.57" ROD STOP		03 03
43	0501047917	1.96" ROD STOP		03 03
44	0501047924	ROD STOP		03 03
45	0521061053	CLEANER SUPPORT		37 41
46	0561014263	CLEANER SHOVEL		37 41
47	0501062300	1-1/4" WRENCH CABLE CYLINDRICAL		01 01
48	0541015451	FIXED KEY 2.3/8 X 2.3/4		01 01
49	0501056467	STUB SHAFT & HUB ASSY		04 04
49A	0502012260	TRANSPORT WHEEL BOX		04 04
49B	0503013270	3720 CAP		04 04
49C	0503013271	3780 CONE		04 04
49D	0503013266	2720 CAP		04 04
49E	0503013267	2780 CONE		04 04
49F	0503013314	RETAINER 5166-GB 63,5 X 110 X 13 ARCA		04 04
49G	0501010186	WHEEL SCREW 5/8UNF X 2.1/8CR		32 32
49H	0503010064	5/8 UNF CONIC NUT		32 32
49I	0541016566	POINT AXIS 3.1/2 X 375		04 04
49J	0511012492	FLAT WASHER		04 04
49K	0503030009	1" CASTLE NUT		04 04
49L	0503010018	5/32 X 1-1/2 COTTERPIN		04 04
49M	0502020591	PROTECCION COVER		04 04
49N	0503011444	SPRING WASHER		16 16
49O	0503010358	5/16" X 5/8" BOLT		16 16
49P	0503010002	1800 GREASE FITTING		04 04
50	0503012195	5/8" NUT		74 82
51	0501012140	FLAT WASHER		74 82
52	0503010027	5/8" SPRING WASHER		74 82
53	0503010013	5/8" NUT		148 164
54	0503012699	BOLT 5/8NC X 2 CAPQ G.5 ZN 1K20548		74 82
55	0511048088	DRAWBAR JACK	4	01 01
56	0541011345	16 X 68 PLUGER		01 01
57	0501069421	REAR HITCH GCRO		01 01
58	0541016679	7/8 UNF X 188,5 FASTENER		02 02
59	0503010408	7/8" SPRING WASHER		04 04



**GCRO 7012 (AXLE 2.1/8" E 1.3/4") RIGID
SEMI STUBBLE WHEEL OFFSET DISK HARROW**

Item	Code	Description	See page	36 40
60	0503010558	7/8" NUT		04 04
61	0503013150	1300 X 3/8 CHAIN		01 01
62	0501011432	1-1/2" AND 1-5/8 GANG BOLT WRENCH		01 01
63	0501011431	1-3/4" GANG BOLT WRENCH		02 02
64	0501061609	3/4" WRENCH CABLE CYLINDRICAL		01 01
65	0501052005	STABILIZER FOR GANG	5	01 01
66	0521010546	1.2" X 5.7" COUPLING SHAFT		02 02
67	0503010523	1/4" X 2" COTTERPIN		02 02
68	0503010002	1800 GREASE FITTING		20 20
69	0501041102	1-1/4" X 3-3/4" ASSY BOLT		08 08
69A	0501015348	1-1/4" X 3-3/4" BOLT		08 08
69B	0501010953	1-1/4" SQUARE WASHER		08 08
69C	0531010713	FLAT WASHER		08 08
69D	0503010070	SPRING WASHER		08 08
69E	0501010087	1.1/4" NUT		08 08
70	0503013185	3/4" X 5-1/2" BOLT		04 04
71	0511067290	FRONT FRAME		01 01
72	0511067291	REAR FRAME 5620		01 00



Item	Code	Description	See page	50 56 DISCOS
001	0511066590	FRAME GCRO 7010/7012	01	00
001.	0521061009	FRAME GCRO 7012 56	00	01
002	0511067578	FRONT CENTRAL FRAME	01	00
002.	0521060764	FRONT CENTER FRAME	00	01
003	0511067306	REAR CENTER FRAME	01	00
003.	0521060765	REAR CENTRAL FRAME	00	01
004	0511067580	RIGHT FRONT SIDE FRAME	01	00
004.	0521060766	LH FRONT SIDE FRAME	00	01
005	0511067308	LEFT SIDE REAR FRAME	01	00
005.	0521060767	RH FRONT SIDE FRAME	00	01
006	0511067309	RIGHT REAR FRAME	01	00
006.	0521060768	RH SIDE REAR FRAME	00	01
007	0511067583	LEFT SIDE REAR FRAME	01	00
007.	0521060769	LH REAR LATERAL FRAME	00	01
008	0511041592	DRAWBAR ASSY	01	00
008.	0521041823	ASSY TRACTION BAR (PIN 3)	00	01
008A	0511064669	DRAWBAR ASSY	01	01
008B	0502040263	ANEL TRAVA ENGATE	01	01
008C	0561017306	COUPLING SHAFT	01	01
008D	0503010523	1/4" X 2" COTTERPIN	01	01
008E	0502040293	YH-90 CLEVIS	01	00
008E.	0502040849	U COUPLING	00	01
008F	0511067199	2" BOLT	01	01
008G	0502040264	DRAWBOLT	01	01
008H	0502040558	2" CASTLE NUT	01	01
008I	0503010074	3/8 X 0,15" COTTERPIN	01	01
008J	0511064659	UPPER PLATE	01	01
008K	0511064658	LOWER PLATE	01	01
008L	0521011880	37,5 X 242 COUPLING SHAFT	06	06
008M	0501012916	FLAT WASHER 38,50 X 66 X 4,75 ZN	06	06
008N	0501011301	1.1/2 UNC 6FPP 2.5/16 NUT	06	06



**GCRO 7012 (AXLE 2.1/8" E 1.3/4") RIGID
SEMI STUBBLE WHEEL OFFSET DISK HARROW**

Item	Code	Description	See page	50 56 DISCOS
008O	0503010010	1/4" X 2.1/2" COTTERPIN		06 06
009	0511066611	LEFT CARRYING-WHEELS SUPPORT		01 01
010	0511066741	RIGHT CARRYING-WHEELS SUPPORT		01 01
011	0531018062	COUPLING SHAFT		02 02
012	0521011565	FLAT WASHER		04 04
013	0503010012	1" SPRING WASHER		04 04
014	0503011250	1" X 2" BOLT		04 04
015	0502012702	BODY SUPPORT CLAMP		15 15
016	0503010180	7/16" SPRING WASHER		05 05
017	0503012555	SCREW 7/16 UNC X 2 CS RT G.7 ZN		05 05
018	0503010850	BOLT 7/16 UNC X 3 CS G.5 ZN		02 02
019	0503010851	7/16" X 3.1/2" BOLT		02 02
020	0511048619	HYDRAULIC CYLINDER	6	02 02
021	0531018105	1.2" X 11.8" PIVOT SHAFT		02 02
022	0531018101	1.2" X 6.3" PIVOT SHAFT		02 02
023	0501017779	32 X 60 X 4.75 FLAT WASHER		08 08
024	0503011877	0.3" X 2.4" SPRING PIN		08 08
025	0511064433	REGULATOR SPINDLE 1-3/4		01 01
026	0501010333	1.3/4" NUT		02 02
027	0511064656	DRAWBAR PIVOT		01 01
028	0511048617	HYDRAULIC CYLINDER	7	01 01
029	0521012053	1.5" X 8.6" AXLE		01 01
030	0521012538	1.2" X 3.5" COUPLING SHAFT		01 01
031	0531019171	1.25" X 7" COUPLING SHAFT		01 01
032	0503010523	1/4" X 2" COTTERPIN		01 01
033	0511066478	HITCH BAR		01 01
034	0531018100	37,50 X 200 COUPLING SHAFT		02 02
035	0501011301	1.1/2 UNC 6FPP 2.5/16 NUT		11 11
036	0503010010	1/4" X 2.1/2" COTTERPIN		11 11
037	0501057273	PIVOT ARM ASSY		04 00
037.	0511050181	LH FRONT/RH REAR ARTICULACION		00 04
037A	0511067209	FRONT DRIVER ARM		04 00
037A.	0521060770	FRONT ARTICULACION ARM		00 04
037B	0541016749	LOCK AXLE PIVOT		04 00
037B.	0561014074	LOCK AXLE		00 04
037C	0541019258	1.1/4 ADJUSTING NUT		08 08
037D	0511066497	LOK PIVOT		04 04
038	0501057274	LH REAR DRIVER ARM		04 00
038.	0511050182	RH FRONT/LH REAR ARTICULACION		00 04
038A	0511067210	DRIVER ARM		04 00
038A.	0521060771	ARTICULATION ARM ASSY		00 04
039	0503010025	3/8" SPRING WASHER		02 02
040	0503010026	3/8" NUT		02 02
041	0541019253	FRAME LOCK AXLE		08 08
042	0501210091	ARTICULATOR PIVOT AXIS		04 04
043	0503013185	3/4" X 5-1/2" BOLT		04 04
044	0541016614	38,20 X 62 X 61 SLEEVE		08 08
045	0501041102	1-1/4" X 3-3/4" ASSY BOLT		08 08
045A	0501015348	1-1/4" X 3-3/4" BOLT		08 08
045B	0501010953	1-1/4" SQUARE WASHER		08 08
045C	0531010713	FLAT WASHER		08 08
045D	0503010070	SPRING WASHER		08 08
045E	0501010087	1.1/4" NUT		08 08
046	0541011345	16 X 68 PLUGER		01 01
047	0503010023	3/4" SPRING WASHER		05 05
048	0503032537	50,7 X 325 X 6,35 TRACTION SPRING		04 04
049	0521010572	0.9" X 2.9" COUPLING SHAFT		08 08
050	0541016677	37,20 X 177 COUPLING SHAFT		08 08
051	0511019685	FLAT WASHER		16 16



**GCRO 7012 (AXLE 2.1/8" E 1.3/4") RIGID
SEMI STUBBLE WHEEL OFFSET DISK HARROW**

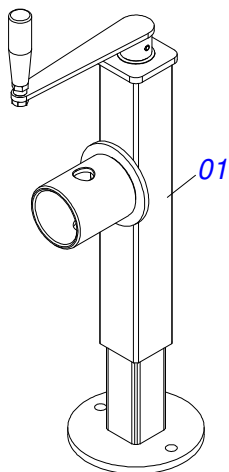
Item	Code	Description	See page	50 56 DISCOS
052	0503010361	SPRING PIN		16 16
053	0511048618	101,6 X 810 HYDRAULIC CYLINDER	8	04 04
054	0511064470	HOSE HOLDER ASSY		01 01
055	0503010014	3/4" NUT		05 05
056	0521011720	2.0" X 15.7" COUPLING SHAFT		04 04
057	0511019776	FLAT WASHER		08 08
058	0503011069	0.4" X 2.8" SPRING PIN		08 08
059	0501069463	1" X 8" LOCK PIN		04 04
060	0503030012	HITCH PIN CLIP		04 04
061	0503013150	1300 X 3/8 CHAIN		01 01
062	0511064985	TRANSPORT LOCK		02 02
063	0551010332	TRANSPORT LOCK		01 01
064	0541016844	FIXER LOCK		03 03
065	0503030168	HITCH PIN CLIP		04 04
066	0501047895	ROD STOP		07 07
067	0501047885	ROD STOP		09 09
068	0501047886	ROD STOP		03 03
069	0501047887	ROD STOP		03 03
070	0521061053	CLEANER SUPPORT		51 55
071	0561014263	CLEANER SHOVEL		51 55
072	0503010002	1800 GREASE FITTING		50 50
073	0503010765	3/8" X 3" BOLT		02 02
074	0503012699	BOLT 5/8NC X 2 CAPQ G.5 ZN 1K20548		102 114
075	0501012140	FLAT WASHER		102 114
076	0503010013	5/8" NUT		204 260
077	0503012195	5/8" NUT		102 146
078	0503010027	5/8" SPRING WASHER		102 146
079	0501056467	STUB SHAFT & HUB ASSY		04 04
079A	0502012260	TRANSPORT WHEEL BOX		04 04
079B	0503013270	3720 CAP		04 04
079C	0503013271	3780 CONE		04 04
079D	0503013266	2720 CAP		04 04
079E	0503013267	2780 CONE		04 04
079F	0503013314	RETAINER 5166-GB 63,5 X 110 X 13 ARCA		04 04
079G	0501010186	WHEEL SCREW 5/8UNF X 2.1/8CR		32 32
079H	0503010064	5/8 UNF CONIC NUT		32 32
079I	0541016566	POINT AXIS 3.1/2 X 375		04 04
079J	0511012492	FLAT WASHER		04 04
079K	0503030009	1" CASTLE NUT		04 04
079L	0503010018	5/32 X 1-1/2 COTTERPIN		04 04
079M	0502020591	PROTECCION COVER		04 04
079N	0503011444	SPRING WASHER		16 16
079O	0503010358	5/16" X 5/8" BOLT		16 16
079P	0503010002	1800 GREASE FITTING		04 04
080	0511048088	DRAWBAR JACK	4	01 01
081	0501052005	STABILIZER FOR GANG	5	01 01
082	0501069421	REAR HITCH GCRO		01 01
083	0541016676	1.1/2 X 175 AXLE		02 02
084	0503010558	7/8" NUT		04 04
085	0503010408	7/8" SPRING WASHER		04 04
086	0541016676	1.1/2 X 175 AXLE		04 04
087	0503013662	1/2" X 1" BOLT		04 04
088	0521010546	1.2" X 5.7" COUPLING SHAFT		02 02
089	0501011432	1-1/2" AND 1-5/8 GANG BOLT WRENCH		01 01
090	0501011431	1-3/4" GANG BOLT WRENCH		02 00
091	0501061044	2-1/8" AND 2-1/2" CABLE FLAT WRENCH		00 02
092	0503016140	3/4" WRENCH CABLE CYLINDRICAL		01 00
093	0503016137	1-1/4" WRENCH CABLE CYLINDER		01 01
094	0501061045	1" WRENCH CYLINDRICAL		00 01



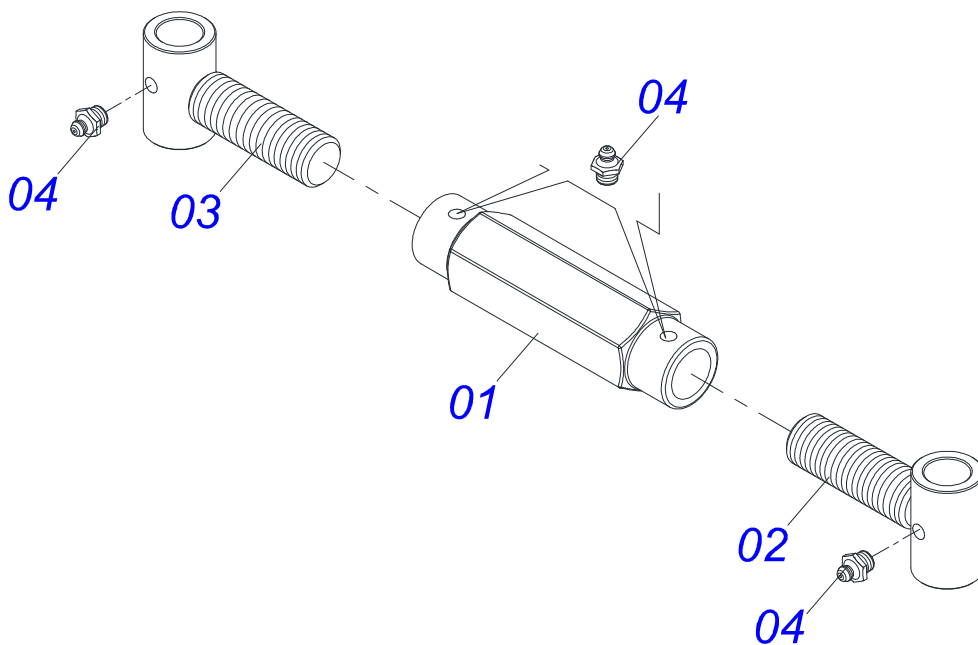
**GCRO 7012 (AXLE 2.1/8" E 1.3/4") RIGID
SEMI STUBBLE WHEEL OFFSET DISK HARROW**

Page 3
0909091491

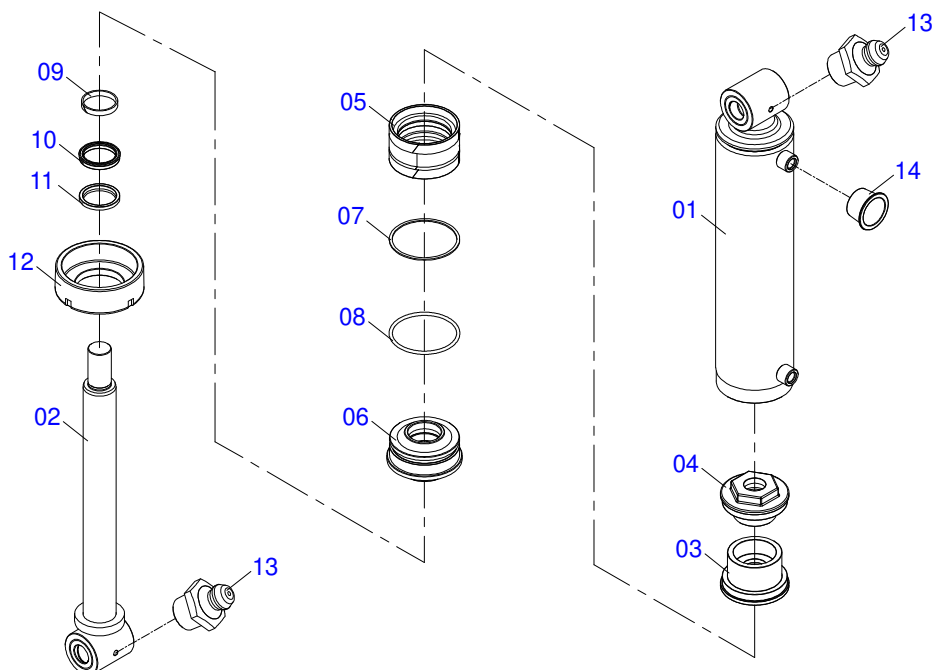
Item	Code	Description	See page	50 56 DISCOS
095	0541015451	FIXED KEY 2.3/8 X 2.3/4		01 00



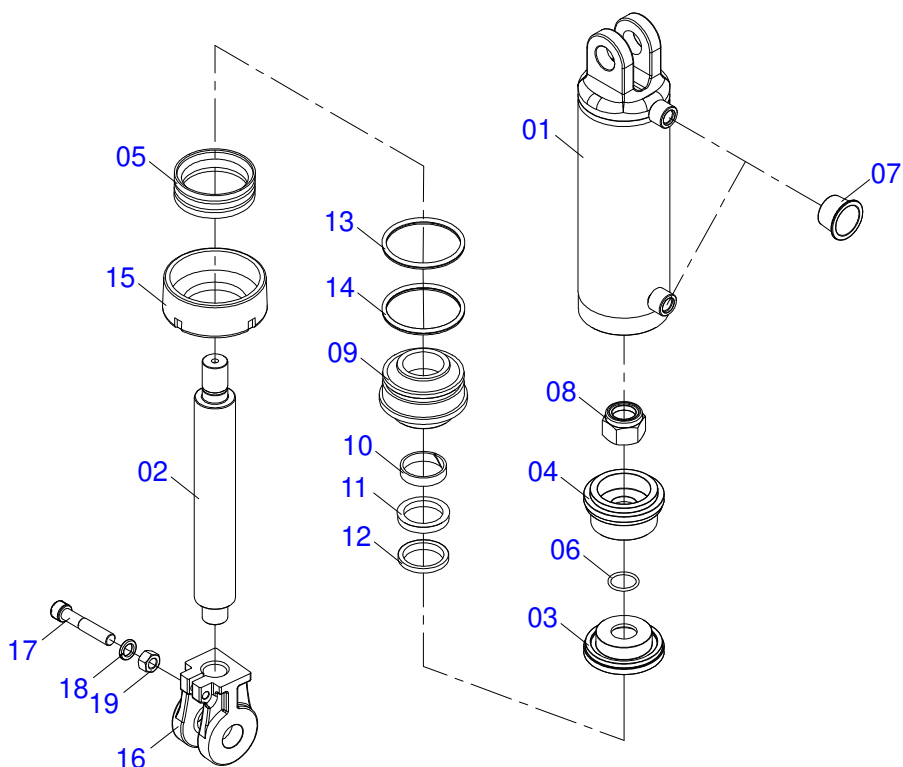
Item	Code	Description	See page	QT
01	0503062227	DRAWBAR JACK		01



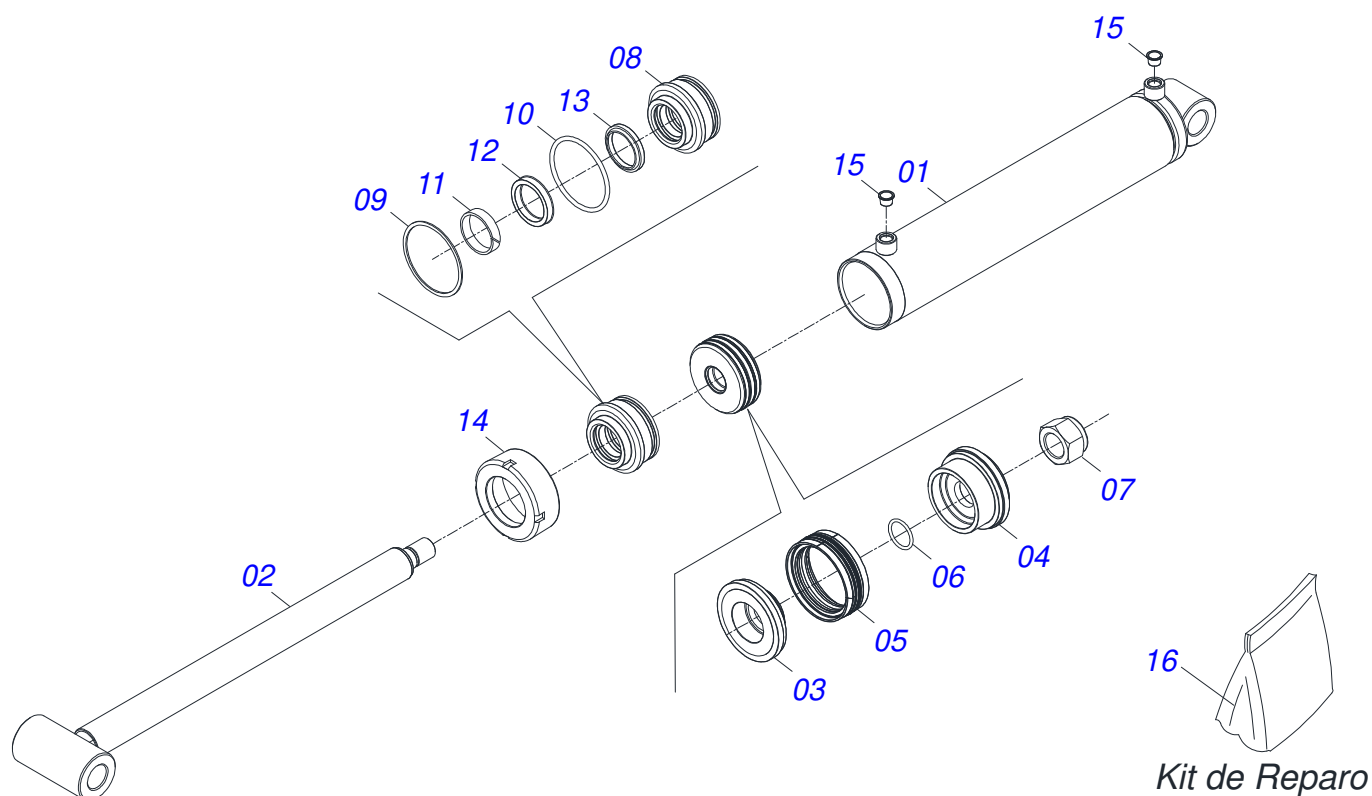
Item	Code	Description	See page	QT
01	0502011469	245 ADJUSTMENT NUT		01
02	0501069416	JACKET		01
03	0501069417	JACK CRANK		01
04	0503010002	1800 GREASE FITTING		04



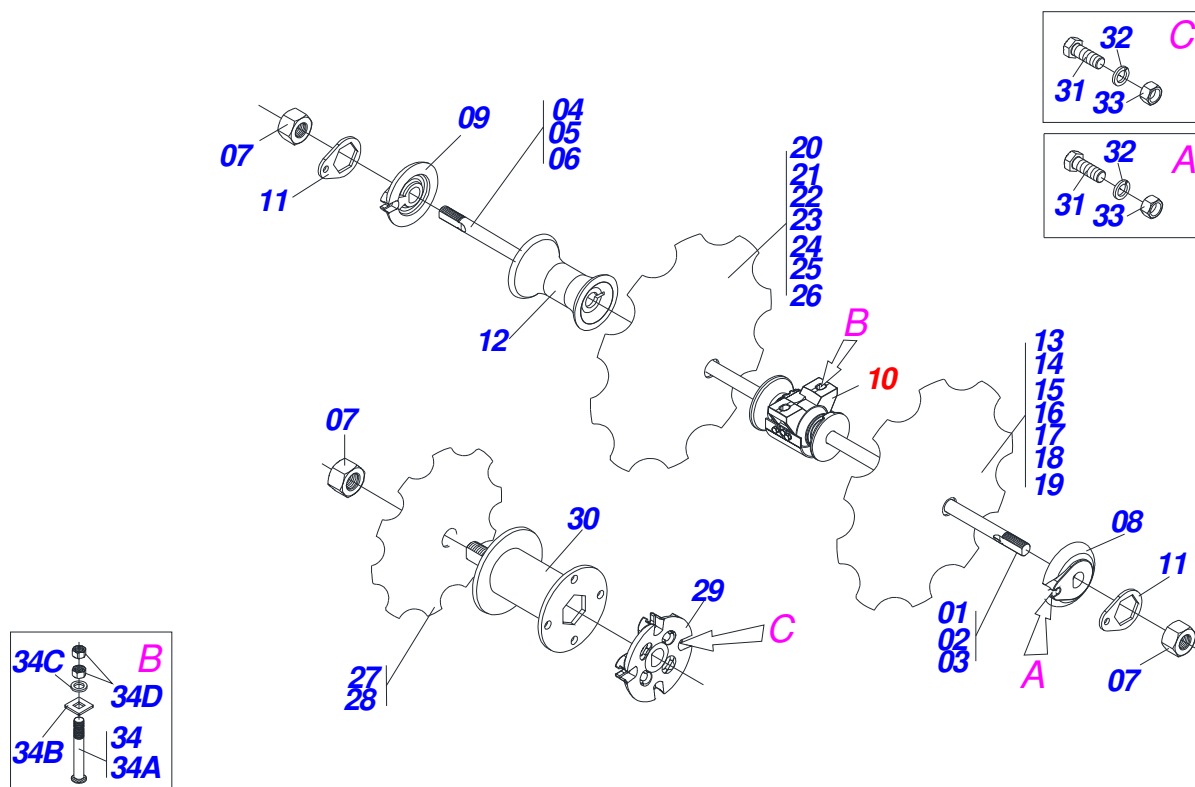
Item	Code	Description	See page	QT
01	0521061685	114,30 X 500 CYLINDER CASE		01
02	0521061684	56,98 X 590,50 TURNBUCKLE		01
03	0561016578	PISTON BODY		01
04	0502012643	PISTÓN BODY		01
05	0503015640	SEALING SELEMASTER		01
06	0502012644	RING SUPPORT		01
07	0503011893	BACK-UP RING, 8-346		01
08	0503011892	O' RING, 2-346 N 3006-9B		01
09	0503015641	WEAR RING		01
10	0503015642	U-CUP SEALING		01
11	0503015715	SCRAPER SEALING		01
12	0502011222	0.56" END CAP		01
13	0503010002	1800 GREASE FITTING		02
14	0503030384	CON PLUG N-001		02
15	0521041339	HYDRÁULIC CYLINDER REPAIR KIT		



Item	Code	Description	See page	QT
01	0511061336	101,6 X 398 CYLINDER CASE		01
02	0521010422	HYDRAULIC CYLINDER TURNBUCKLE		01
03	0561016389	PISTON BODY		01
04	0561016387	PISTON BODY		01
05	0503015633	SELEMASTER SEALING		01
06	0503010345	2-218 N 3006-9B O'RING		01
07	0503030384	CON PLUG N-001		02
08	0503010817	1.1/4" SELF LOCKING NUT		01
09	0502012642	SUPPORT OF THE RINGS		01
10	0503015634	RING SLYDRING		01
11	0503015635	U-CUP SEAL		01
12	0503015636	SCRAPER SEAL		01
13	0503010338	2-342 N 3006-9B O'RING		01
14	0503011061	8-342 BACK-UP RING		01
15	0502010017	4" HEAD		01
16	0502040747	32.54 CLEVIS CLAMP		01
17	0503011094	3/8" X 2" BOLT		01
18	0503011443	3/8" SPRING WASHER		01
19	0503010026	3/8" NUT		01
20	0501039361	HYDRAULIC CYLINDER REPAIR KIT		01



Item	Code	Description	See page	QT
01	0521061438	101,6 X 850,5 X 38,4 CYLINDER CASE		01
02	0521061439	50,80 X 751,50 X 38,40 TURNBUCKLE		01
03	0561016389	PISTON BODY		01
04	0561016387	PISTON BODY		01
05	0503015633	SELEMASTER SEALING		01
06	0503010345	2-218 N 3006-9B O'RING		01
07	0503010817	1.1/4" SELF LOCKING NUT		01
08	0502012642	SUPPORT OF THE RINGS		01
09	0503011061	8-342 BACK-UP RING		01
10	0503010338	2-342 N 3006-9B O'RING		01
11	0503015634	RING SLYDRING		01
12	0503015635	U-CUP SEAL		01
13	0503015636	SCRAPER SEAL		01
14	0502010017	4" HEAD		01
15	0503030384	CON PLUG N-001		02
16	0521041338	HYDRAULIC CYLINDER REPAIR KIT		01

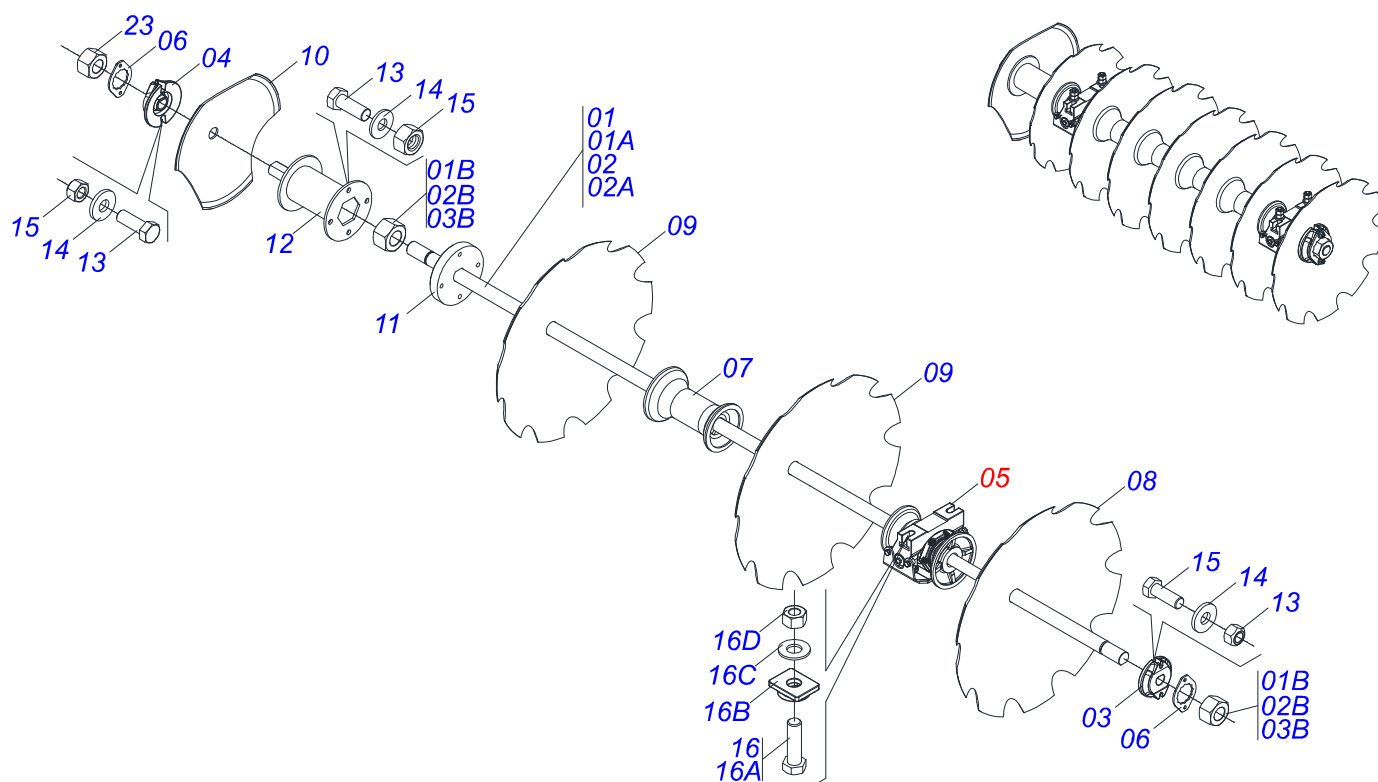


Item	Code	Description	See page	28	32	36	40	50	52	56
01	0501059155	2-1/8" X 2020 AXLE WITH NUTS		04	00	00	04	02	04	08
02	0501059852	2-1/8 X 1722 AXLE WITH NUTS		00	02	06	02	06	04	00
03	0511050665	2-1/8" X 1424 AXLE WITH NUTS		00	04	00	00	00	00	00
04	0561013277	2-1/8" X 2020 AXLE		04	00	00	04	02	04	08
05	0561015943	2-1/8" X 1722 AXLE		00	02	06	02	06	04	00
06	0561015983	2-1/8" X 1424 AXLE		00	04	00	00	00	00	00
07	0502040063	2.1/8" X 54 99 NUT		08	12	12	16	16	16	16
08	0502010594	2-1/8" EXTERNAL AXLE WASHER		04	06	06	06	08	08	08
09	0502010595	2-1/8" INNER AXLE WASHER		04	06	06	06	08	08	08
10	0511047876	292 X 2.1/8" OIL BATH BEARING	12	08	12	12	12	16	16	16
11	0541010368	NUT LOCK		08	12	12	12	16	16	16
12	0502011405	292 W/H 2.1/8 SPACER		16	14	18	22	26	28	32
13	0602046045	34" X 9 NOTCHED DISC BLADE		00	00	00	48	00	00	00
14	0602044153	32" X 9 NOTCHED DISC BLADE		00	29	00	37	00	00	00
15	0602044238	32" X 7,50 NOTCHED DISC BLADE		26	00	36	00	48	52	56
16	0602040001	30" X 0.3" NOTCHED DISC BLADE		00	00	20	00	00	00	00
17	0602040140	NOTCHED DISC		00	00	18	00	00	00	00
18	0602044159	NOTCHED DISC		00	00	00	00	00	00	56
19	0602040099	30" X 7,5 NOTCHED DISC		00	00	00	00	00	00	56
20	0602044240	32" X 9 NOTCHED DISC BLADE		00	00	00	00	00	01	00
21	0602040139	32" X 9 NOTCHED DISC BLADE		00	00	01	01	01	00	00
22	0602040137	30" X 7,5 NOTCHED DISC BLADE		01	00	01	00	00	00	00
23	0602037251	28" X 06 NOTCHED DISC BLADE		01	00	01	00	00	00	00
24	0602037221	DR28X9 C108AF02FR2.3/16 D066 10REC		00	01	00	01	00	00	00
25	0602037250	28" X 7,5 NOTCHED DISC BLADE		00	00	01	00	00	00	00
26	0602033350	26" X 7,5 NOTCHED DISC BLADE		01	01	01	01	01	01	01
27	0602033186	25" X 7,5 NOTCHED DISC BLADE		00	00	01	00	00	00	00
28	0602030431	24" X 06 NOTCHED DISC BLADE		00	00	01	00	00	00	00
29	0561014077	2-1/8" EXTERNAL AXLE LOCK		01	01	01	01	01	01	01
30	0521061008	FURROW FILLE 2.1/8" SPACER		01	01	01	01	01	01	01
31	0503010232	5/8" X 1.3/4" BOLT		24	36	36	48	48	48	48

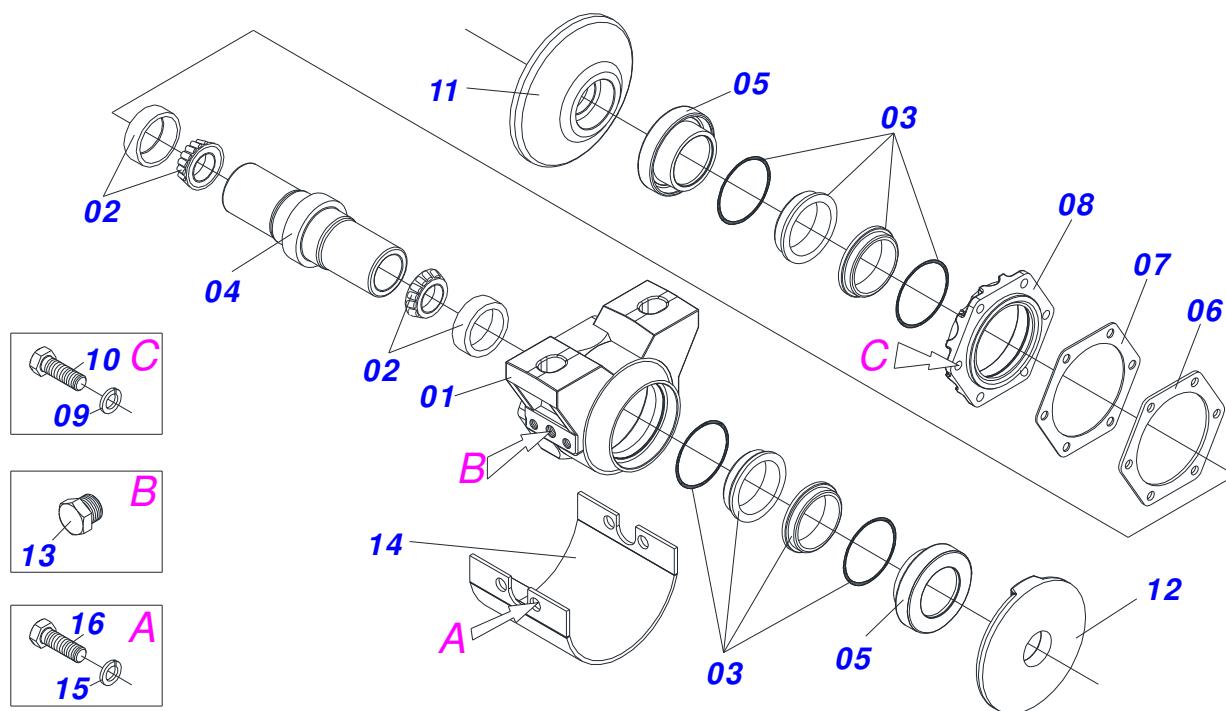


GCRO 7012 (AXLE 2.1/8" E 1.3/4") RIGID
AXLE DISC SECTION 2.1/8" - 28 TO 56D

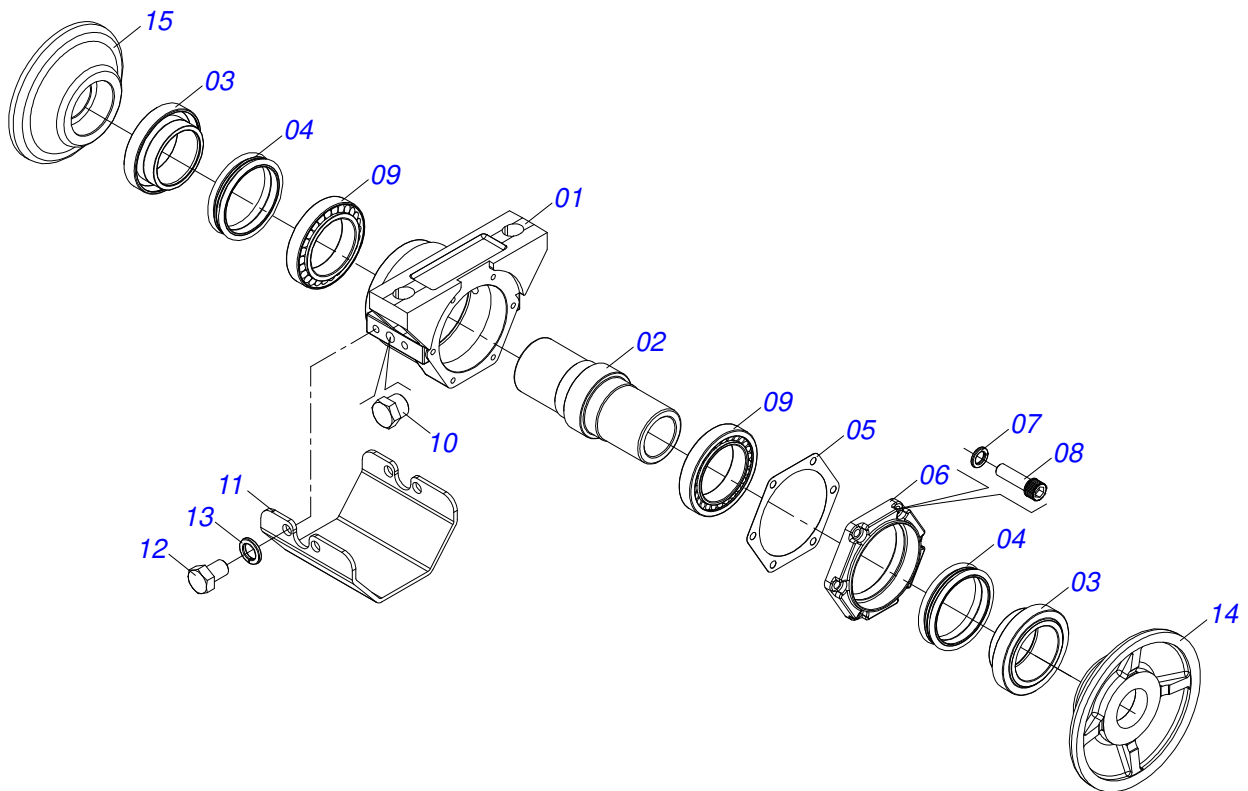
Item	Code	Description	See page	28	32	36	40	50	52	56
32	0503010027	5/8" SPRING WASHER		24	36	36	48	48	48	48
33	0503012412	5/8 UNC SELF LOCKING NUT		24	36	36	48	48	48	48
34	0511046308	7/8" NC X 4.1/2" BOLT ASSY		16	24	24	24	32	32	32
34A	0503012460	7/8" X 4-1/2" BOLT		16	24	24	24	32	32	32
34B	0511064919	BEARING SUPPORT CHOCK		16	24	24	24	32	32	32
34C	0561013107	FLAT WASHER		16	24	24	24	32	32	32
34D	0503010417	7/8" NUT		16	24	24	24	32	32	32



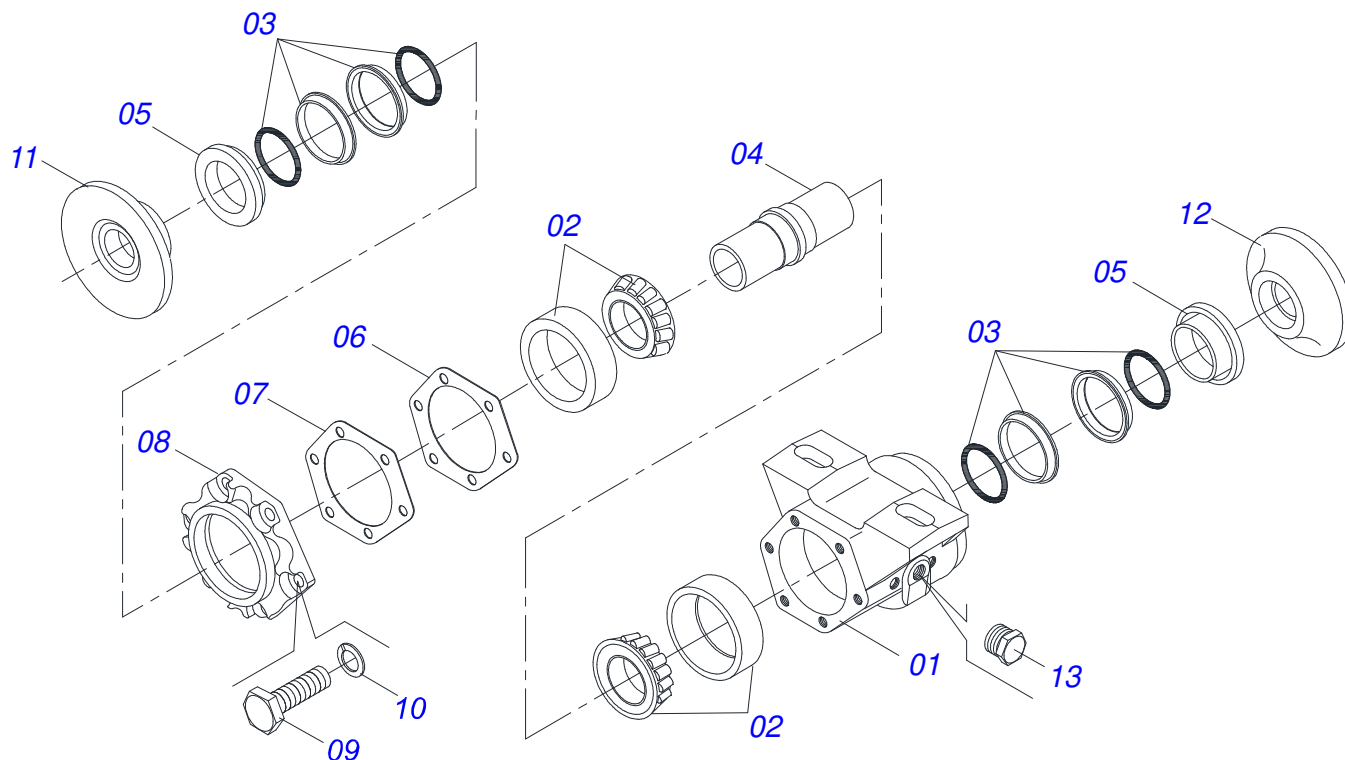
Item	Code	Description	See page	QT
01	0511044701	1.3/4" X 1660 AXLE WITH NUT		06
01A	0541010245	1.3/4 X 1660 AXLE		01
01B	0501010333	1.3/4" NUT		02
02	0511044702	1.3/4" X 1960 AXLE ASSY		02
02A	0541010246	1.3/4" X 1960 AXLE		01
02B	0501010333	1.3/4" NUT		02
03	0502012221	1-1/2" INNER AXLE WASHER		08
04	0502012222	1-3/4" EXTERNAL AXLE WASHER		08
05	0511044750	292MM X 1.3/4" RD. OIL BATH BEARING	11	16
06	0511014339	1-5/8" 2.8" NUT LOCK		16
07	0502012193	292 X 1.3/4" SPACER		26
08	0602044235	32" X 7,5MM NOTCHED DISC BLADE		50
09	0601044053	32 X 7,5 PLAIN DISC BLADE		50
10	0602033344	26"X 6MM NOTCHED DISC BLADE		01
11	0502012378	1-3/4"EXTERNAL AXLE WASHER		01
12	0511067147	257 AXLE SPACER 1.3/4"		01
13	0503010232	5/8" X 1.3/4" BOLT		52
14	0501012140	FLAT WASHER		52
15	0503012412	5/8 UNC SELF LOCKING NUT		52
16	0501041925	3/4" X 3-1/2" BOLT ASSY		32
16A	0501010950	3/4" X 3-1/2" BOLT		32
16B	0501010949	3/4" SQUARE WASHER		32
16C	0501010322	FLAT WASHER		32
16D	0503010014	3/4" NUT		32



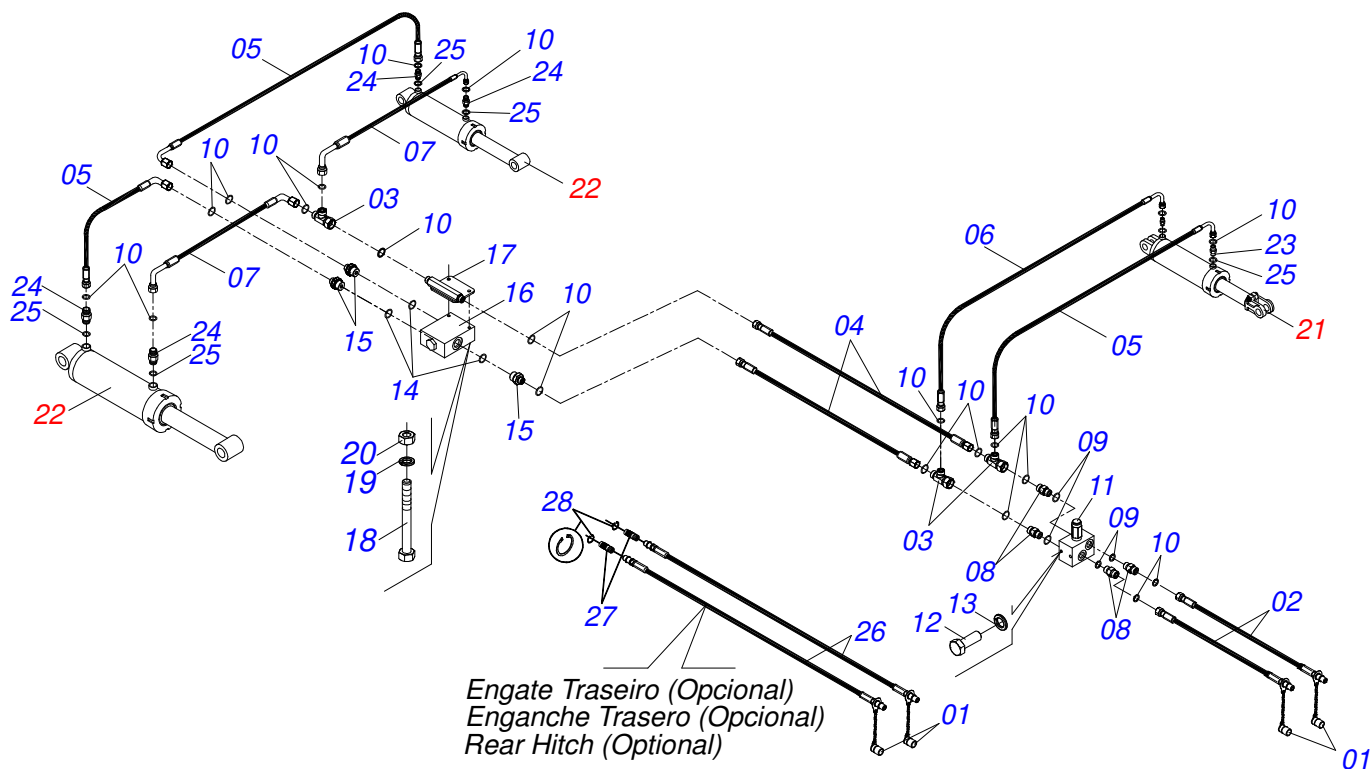
Item	Code	Description	See page	QT
01	0502020636	8.8" X 1-5/8" OIL HOUSING BEARING		01
02	0503012819	ROLLER BEARING		02
03	0503030027	DUO-CONE SEAL		02
04	0502010824	AXLE CM/DM		01
05	0502010823	SEAL RETAINER		02
06	0503030030	5.6" X 4.4" X 0.01" GASKET		02
07	0503030685	5.5" X 4.4" X 0.003" GASKET		01
08	0502020161	WEAR PLATE BEARING		01
09	0503010025	3/8" SPRING WASHER		06
10	0503010237	3/8" X 1" BOLT		06
11	0502012195	BEARING OUTER FLANGE		01
12	0502012194	INNER FLANGE		01
13	0503010856	OIL PLUG		02
14	0521012933	BEARING WEAR PLATE		01
15	0503010019	1/2" SPRING WASHER		04
16	0503010834	1/2 X 1 BOLT		04



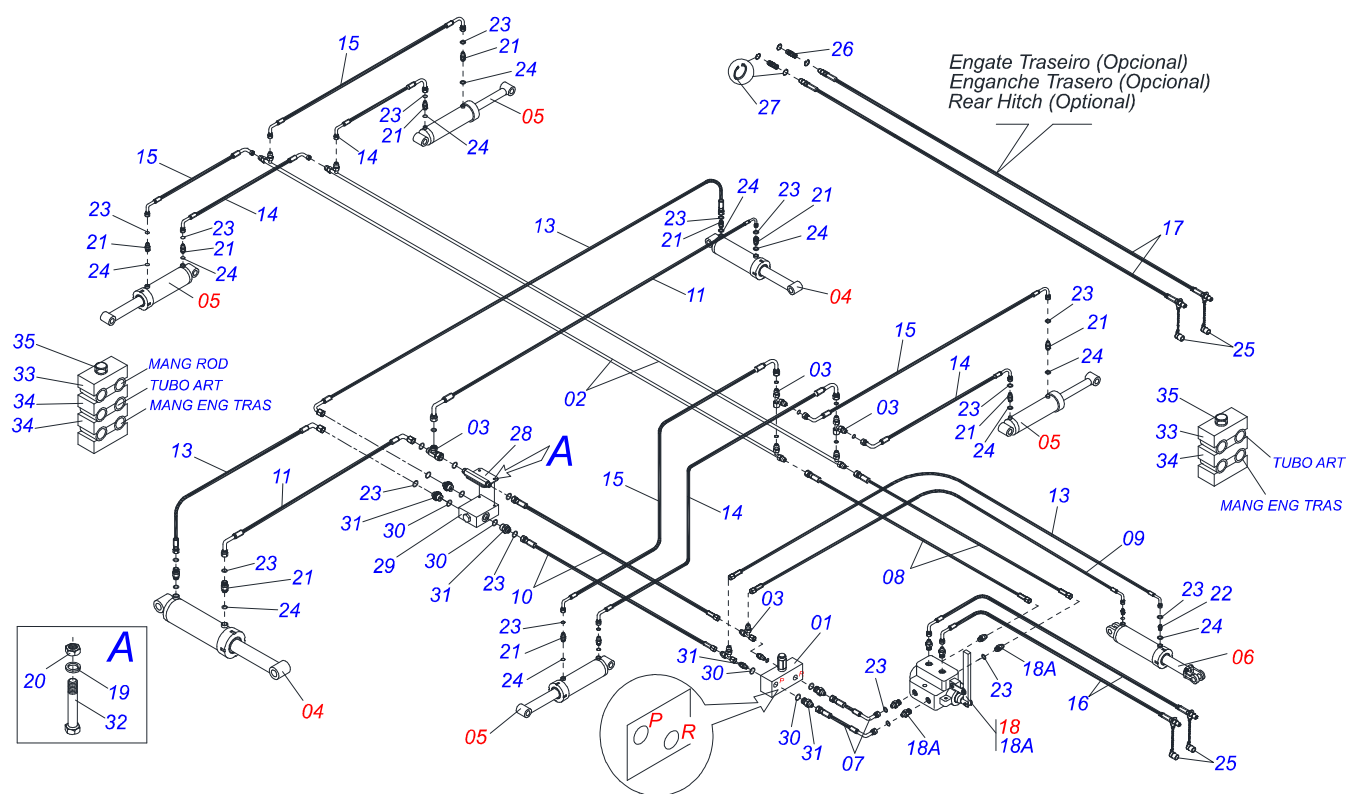
Item	Code	Description	See page	QT
01	0502012482	HOUSING BEARING	01	01
02	0502040810	SHAFT FOR BEARING	01	01
03	0502040198	SEAL RETAINER	02	02
04	0503030028	JB-257 SEAL	02	02
05	0503032999	JOINT	03	03
06	0502012481	BOX COVER	01	01
07	0503011443	3/8" SPRING WASHER	06	06
08	0503010175	3/8" X 1-1/4" BOLT	06	06
09	0503010107	27687/27620 BEARING	02	02
10	0503010856	OIL PLUG	02	02
11	0551017124	PROTECTION COVER	01	01
12	0503011401	1/2" X 3/4" BOLT	04	04
13	0503010019	1/2" SPRING WASHER	04	04
14	0581012051	EXTERNAL DISC	01	01
15	0581012052	DISCO INTERNE	01	01



Item	Code	Description	See page	QT
01	0502020482	HOUSING DM		01
02	0503010005	32212 ROLLER BEARING		02
03	0503030027	DUO-CONE SEAL		02
04	0502010900	BEARING AXLE		01
05	0502010735	SEAL RETAINER		02
06	0503030030	5.6" X 4.4" X 0.01" GASKET		02
07	0503030685	5.5" X 4.4" X 0.003" GASKET		02
08	0502020161	WEAR PLATE BEARING		01
09	0503010237	3/8" X 1" BOLT		06
10	0503010025	3/8" SPRING WASHER		06
11	0502040239	OUTER FLANGE		01
12	0502040240	INNER FLANGE		01
13	0503010856	OIL PLUG		01



Item	Code	Description	See page	QT
01	0501053834	MALE QUICK COUPLER		02
02	0501080917	1/2" X 5500 TR-TM HOSE ASSY		02
03	0503013637	T 1/2" MALE ADAPTER		03
04	0501081708	1/2" X 2300 TR-TR OFS HOSE		02
05	0501081115	1/2" X 1330 TC-TR HOSE ASSY		03
06	0501081707	1/2" X 1000 TC-TR OFS HOSE		01
07	0501081116	1/2 X 1630 TC-TC HOSE ASSY		02
08	0503030923	3/4" UNF X 13/16UN OFS X 40 NIPPLE		04
09	0503010190	2-114 N 3006-9B O'RING		06
10	0503011030	2-014 N 3006-9B O'RING		21
11	0503010919	DISCHARGE VALVE		01
12	0503010237	3/8" X 1" BOLT		02
13	0503010025	3/8" SPRING WASHER		02
14	0503011109	2-119 N 3006-9B O'RING		02
15	0571010736	NIPPLE R1.1/16 UN X 13/16UN OFS		03
16	0503016227	FLOW DIVIDING VALVE		01
17	0521062967	OIL TUBE DISTRIBUTOR		01
18	0503011053	5/16" X 3" C S 6.5 ZN BOLT		02
19	0503010179	LOCK WASHER		02
20	0503010337	5/16" NUT		02
21	0511058419	HYDRAULIC CYLINDER 50,80 X 101,60 X 514 X 206		01
22	0521051832	HYDRAULIC CYLINDER 53,98 X 114,30 X 654 X 346		02
23	0503032031	3/4" UNF REDUCTION NIPPLE		02
24	0503030923	3/4" UNF X 13/16UN OFS X 40 NIPPLE		04
25	0503010190	2-114 N 3006-9B O'RING		06
26	0501081766	1/2 X 9600 TM-TM HOSE ASSY		02
27	0503010217	501040 CLAMPING RING (FOR AXLE)		04
28	0501053835	FEMALE QUICK COUPLER		02

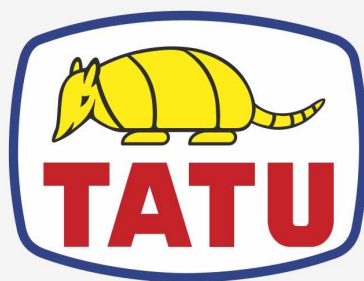


Item	Code	Description	See page	QT
01	0501055696	DISCHARGE VALVE OFS ASSY		04
02	0521061048	3430 OIL TUBE		02
03	0503013637	T 1/2" MALE ADAPTER		08
04	0521051832	HYDRAULIC CYLINDER 53,98 X 114,30 X 654 X 346		02
05	0511048618	101,6 X 810 HYDRAULIC CYLINDER	8	04
06	0511048617	HYDRAULIC CYLINDER	7	01
07	0501080549	1/2" X 450 TR-TC OFS HOSE		02
08	0501080537	1/2" X 600 TR-TR OFS HOSE		04
09	0501080970	1/2" X 23.6" TR-TC OFS HOSE		02
10	0501081088	1/2 X 650 TR-TM HOSE ASSY		02
11	0501081116	1/2 X 1630 TC-TC HOSE ASSY		02
12	0501081135	1/2" X 2850 TR-TC HOSE ASSY		01
13	0501081115	1/2" X 1330 TC-TR HOSE ASSY		02
14	0501081533	1/2 X 2350 HOSE ASSY		04
15	0501081532	2950 TC-TC HOSE ASSY		04
16	0501081534	5300 TC-TM HOSE ASSY		02
17	0501081766	1/2 X 9600 TM-TM HOSE ASSY		02
18	0511043139	VALVE ASSY		01
18A	0503013319	VALVE ASSY		01
18B	0503032098	13/16" NIPPLE		06
19	0503010179	LOCK WASHER		02
20	0503010337	5/16" NUT		02
21	0503030923	3/4" UNF X 13/16UN OFS X 40 NIPPLE		12
22	0503032031	3/4" UNF REDUCTION NIPPLE		02
23	0503010190	2-114 N 3006-9B O'RING		14
24	0503011030	2-014 N 3006-9B O'RING		48
25	0501053834	MALE QUICK COUPLER		04
26	0501053835	FEMALE QUICK COUPLER		02
27	0503010217	501040 CLAMPING RING (FOR AXLE)		04
28	0521062967	OIL TUBE DISTRIBUTOR		01
29	0503016227	FLOW DIVIDING VALVE		01



GCRO 7012 (AXLE 2.1/8" E 1.3/4") RIGID
52 TO 60 HYDRAULIC CIRCUIT

Item	Code	Description	See page	QT
30	0503011109	2-119 N 3006-9B O'RING		03
31	0571010736	NIPPLE R1.1/16 UN X 13/16UN OFS		03
32	0503011053	5/16" X 3" C S 6.5 ZN BOLT		02
33	0531011180	UPPER BODY CLIP		02
34	0502012702	BODY SUPPORT CLAMP		09
35	0503010723	7/16UNC X 4 C SG.5 ZN1K19920 BOLT		02



MARCHESAN

Technical Publications | Elaboration and Revision

ALESSANDRA PATRICIA KAWAHARA CARRILI

www.marchesan.com.br

