

PARTS CATALOG

OFFSET DISK HARROW

**GCRO 7010 (AXLE 1.3/4") SIDE FRAME
72-76-80 DISCS**

Code: 0501091111



Series: S-0613

Rev.: 00

Date Rev.: ABRIL/2014

**ORIGINAL PARTS
TATU**



PRODUCTS

Code	Description
0102560076	GCRO 7010 QL 72X28X7,5 DMDR FF S613
0102560075	GCRO 7010 QL 72X30X7,5 DMDR FF S613
0102560077	GCRO 7010 QL 76X28X7,5 DMDR FF S613
0102560078	GCRO 7010 QL 76X30X7,5 DMDR FF S613
0102560079	GCRO 7010 QL 80X28X7,5 DMDR FF S613
0102560074	GCRO 7010 QL 80X30X7,5 DMDR FF S613

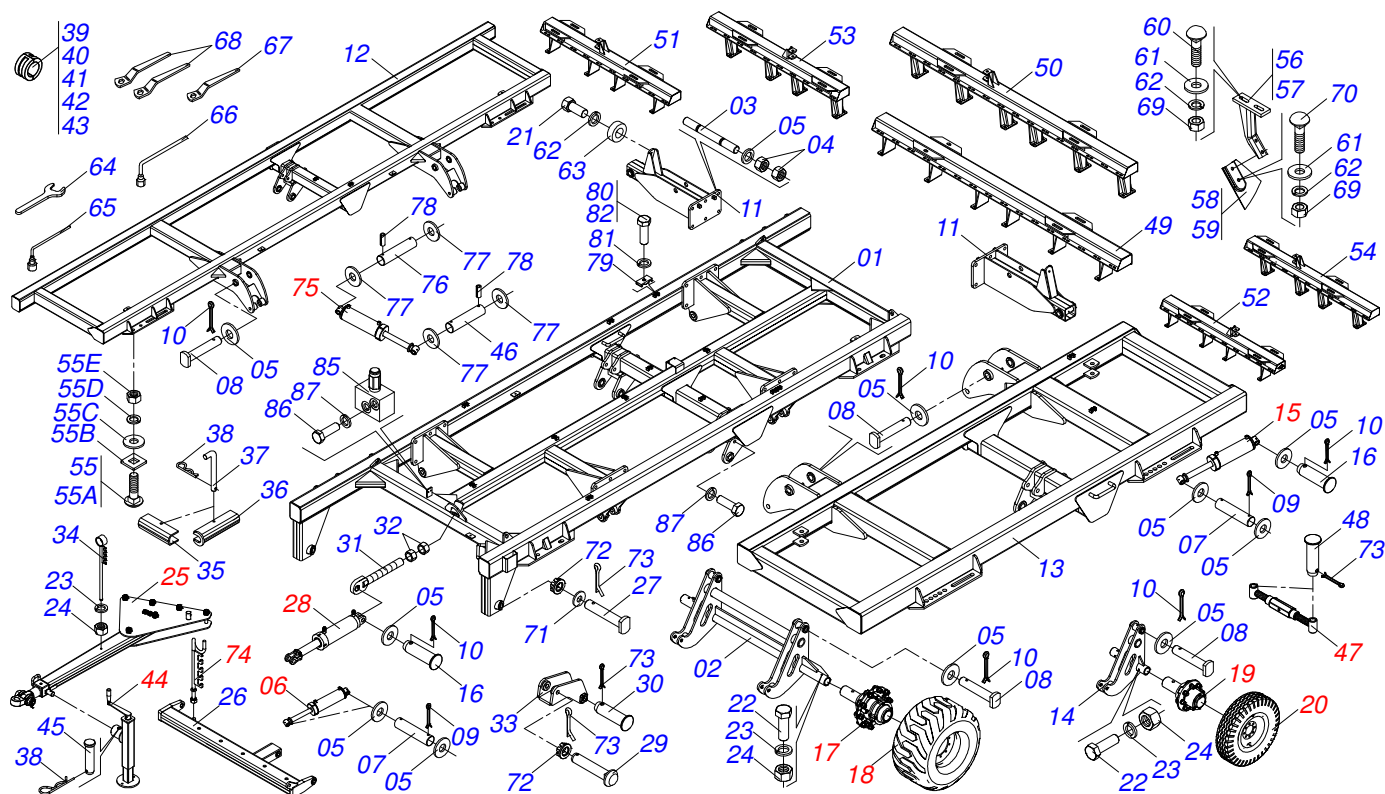
ATTENTION: **IMPORTANT**

MARCHESAN S/A RESERVES THE RIGHT AT ANY TIME TO MAKE IMPROVEMENTS IN THE DESIGN, MATERIAL OR SPECIFICATIONS OF MACHINERY, EQUIPMENT OR PARTS WITHOUT THEREBY BECOMING LIABLE TO MAKE SIMILAR CHANGES IN MACHINERY, EQUIPMENT OR PARTS PREVIOUSLY SOLD.

INDEX

0909090569	FRAME ASSY	1
0511048619	HYDRAULIC CYLINDER	2
0521042023	50,8 X 101,6 X 665 X 385 HYDRAULIC CYLINDER	3
0501057120	HUB ASSY	4
0503062172	WHEEL AND TIRE ASSY	5
0521042030	WHEEL WITHOUT TIRE S-0514	6
0503060213	35.4"X0.80"-14L WHEEL AND TIRE ASSY	7
0521041991	DRAWBAR ASSY	8
0521051832	HYDRAULIC CYLINDER	9
0511048088	DRAWBAR JACK	10
0501052005	STABILIZER FOR GANG	11
0501040364	3/4" X 22.4" HOSE HOLDER ASSY	12
0521042024	53,98 X 127 X 1604 X 639 HYDRAULIC CYLINDER	13
0909090570	SECTION DISC	14
0511041509	AGRICULTURAL BEARING	15
0909090571	HYDRAULIC CIRCUIT	16
0909090572	HYDRAULIC CIRCUIT FRAME	17
0501053834	MALE QUICK COUPLING AGRICULTURAL WITH COVER - 1/2 NPT	18

FRAME ASSY



Item	Code	Description	See page	072	076	080
01	0521063901	FRAME CENTER GCRO-QL 7010		001	001	001
02	0521064006	CARRYING WHEELS ASSY		001	001	001
03	0571013630	PRISONER R R1.1/4 X 350		024	024	024
04	0501010087	1.1/4" NUT		096	096	096
05	0501017779	FLAT WASHER		060	060	060
06	0511048619	HYDRAULIC CYLINDER	2	002	002	002
07	0531018101	1.2" X 6.3" PIVOT SHAFT		008	008	008
08	0521063252	50,85 X 332 AXLE		008	008	008
09	0503010010	1/4" X 2.1/2" COTTERPIN		009	009	009
10	0503010073	3/8 X 3-1/2 COTTERPIN		008	008	008
11	0501079923	ARTICULATOR SIDE FRAME		004	004	004
12	0521063918	RIGHT SIDE FRAME		001	001	001
13	0521063919	LEFT SIDE FREME		001	001	001
14	0521064005	CARRYING WHEELS SIDE GCRO-QL 7010		002	002	002
15	0521042023	50,8 X 101,6 X 665 X 385 HYDRAULIC CYLINDER	3	002	002	002
16	0521012538	1.2" X 3.5" COUPLING SHAFT		003	003	003
17	0501057120	HUB ASSY	4	002	002	002
18	0503062172	WHEEL AND TIRE ASSY	5	002	002	002
19	0521042030	WHEEL WITHOUT TIRE S-0514	6	004	004	004
20	0503060213	35.4"X0.80"-14L WHEEL AND TIRE ASSY	7	004	004	004
21	0501010100	5/8 UNC X 2 C S G.5 BOLT		004	004	004
22	0503013185	3/4" X 5-1/2" BOLT		006	006	006
23	0503010023	SPRING WASHER		008	008	008
24	0503010014	3/4" NUT		008	008	008
25	0521041991	DRAWBAR ASSY	8	001	001	001
26	0521063958	DRAWBAR		001	001	001
27	0521063989	50,8 X 380 AXLE		002	002	002
28	0521051832	HYDRAULIC CYLINDER	9	001	001	001
29	0521012053	1.5" X 8.6" AXLE		001	001	001
30	0531019171	1.25" X 7" COUPLING SHAFT		001	001	001
31	0511064433	REGULATOR SPINDLE 1-3/4		001	001	001



FRAME ASSY

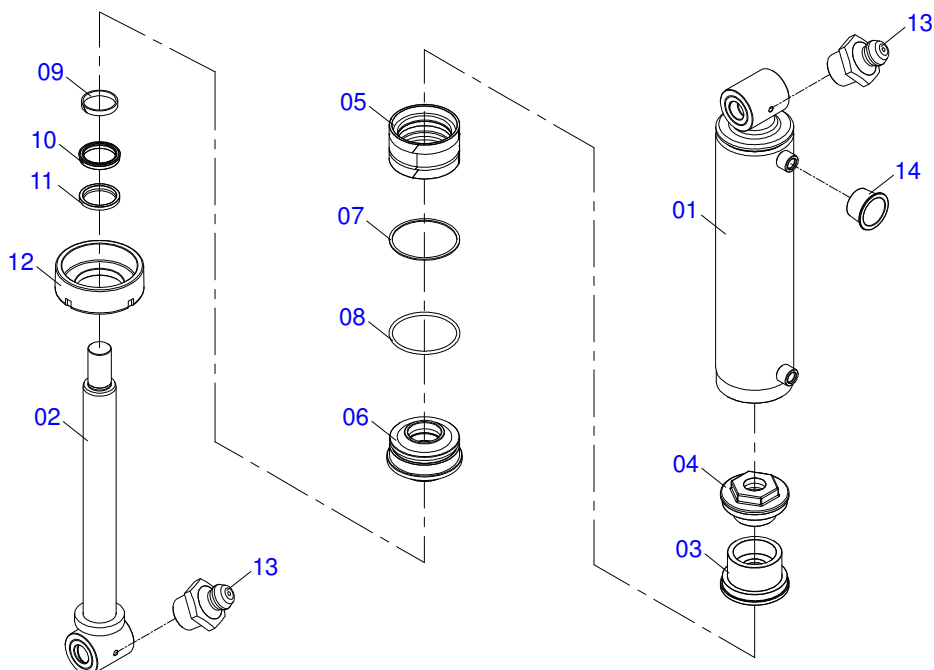
0909090569

Item	Code	Description	See page	072	076	080
32	0501010333	1.3/4" NUT		002	002	002
33	0511064656	DRAWBAR PIVOT		001	001	001
34	0521062849	HOSE HOLDER ASSY		001	001	001
35	0561016693	TRANSPORT LOCK		002	002	002
36	0571013631	LATCH SHIPPING		004	004	004
37	0541016844	FIXER LOCK		007	007	007
38	0503030168	HAIR PIN		008	008	008
39	0501047887	ROD STOP		005	005	005
40	0501047888	ROD STOP		005	005	005
41	0501047886	ROD STOP		005	005	005
42	0501047885	ROD STOP		005	005	005
43	0501047884	0.98" ROD STOP		010	010	010
44	0511048088	DRAWBAR JACK	10	001	001	001
45	0561014251	COUPLING SHAFT		001	001	001
46	0571013629	PIVOT SHAFT		004	004	004
47	0501052005	STABILIZER FOR GANG	11	005	005	005
48	0521010546	1.2" X 5.7" COUPLING SHAFT		010	010	010
49	0521063988	CENTRAL FRAME FRONT		004	004	004
50	0521063987	CENTRAL FRAME REAR		001	001	001
51	0521064071	RIGHT FRONT FRAME		001	000	000
51.	0521064075	RIGHT FRONT FRAME		000	001	000
51..	0521063978	RIGHT FRONT FRAME		000	000	001
52	0521064070	LEFT FRONT FRAME		001	000	000
52.	0521064077	LEFT FRONT FRAME		000	001	000
52..	0521063964	LEFT FRONT FRAME		000	000	001
53	0521064069	RIGHT REAR FRAME		001	000	000
53.	0521064076	RIGHT REAR FRAME		000	001	000
53..	0521063977	RIGHT REAR FRAME		000	000	001
54	0521064072	LEFT REAR FRAME		001	000	000
54.	0521064078	LEFT REAR FRAME		000	001	000
54..	0521063963	LEFT REAR FRAME		000	000	001
55	0501041102	1-1/4" X 3-3/4" ASSY BOLT		024	024	024
55A	0501015348	1-1/4" X 3-3/4" BOLT		024	024	024
55B	0501010953	1-1/4" SQUARE WASHER		024	024	024
55C	0531010713	FLAT WASHER		024	024	024
55D	0503010070	SPRING WASHER		024	024	024
55E	0501010087	1.1/4" NUT		024	024	024
56	0511065925	REAR SCRAPER SUPPORT		018	020	020
57	0511065926	FRONT SCRAPER SUPPORT		018	019	020
58	0541013461	FRONT SCRAPER SHOVEL		018	019	020
59	0541013463	REAR SCRAPER SHOVEL		018	020	020
60	0503013842	5/8" UNC X 1-3/4" BOLT		148	154	164
61	0501012140	FLAT WASHER		148	154	164
62	0503010027	SPRING WASHER		324	336	356
63	0521011481	BEATER FRAME		004	004	004
64	0511010153	2-5/16" FIXED WRENCH		001	001	001
65	0503016140	3/4" WRENCH CABLE CYLINDRICAL		001	001	001
66	0503016137	1-1/4" WRENCH CABLE CYLINDRICAL		001	001	001
67	0501011432	1-1/2" AND 1-5/8 GANG BOLT WRENCH		001	001	001
68	0501011431	1-3/4" GANG BOLT WRENCH		002	002	002
69	0503010013	5/8" NUT		324	336	356
70	0503012195	5/8" NUT		148	154	164
71	0501012916	FLAT WASHER 38,50 X 66 X 4,75 ZN		008	008	008
72	0501011301	1.1/2 UNC 6FPP 2.5/16 NUT		009	009	009
73	0503010010	1/4" X 2.1/2" COTTERPIN		020	020	020
74	0501040364	3/4" X 22.4" HOSE HOLDER ASSY	12	001	001	001
75	0521042024	53,98 X 127 X 1604 X 639 HYDRAULIC CYLINDER	13	004	004	004
76	0571013628	PIVOT SHAFT		004	004	004
77	0521011688	FLAT WASHER		016	016	016

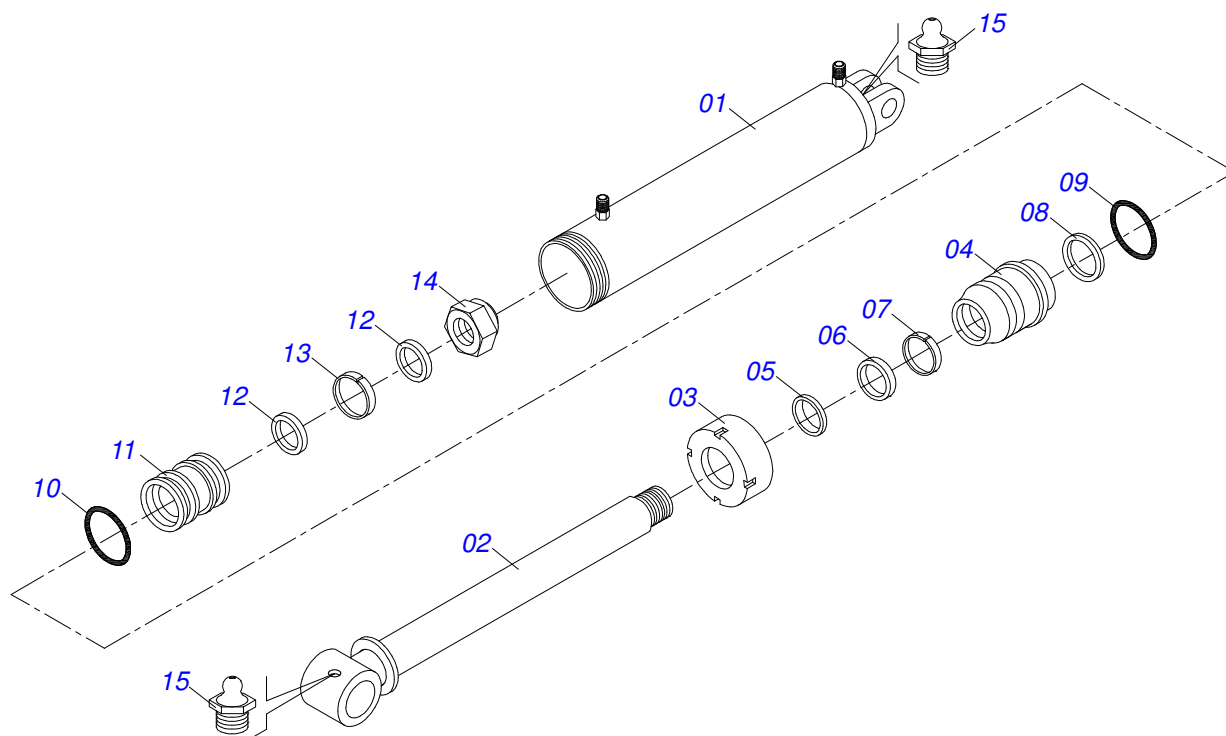
**GCRO 7010 (AXLE 1.3/4") SIDE FRAME 72-76-80 DISCS****FRAME ASSY**

0909090569

Item	Code	Description	See page	072	076	080
78	0503011877	0.3" X 2.4" SPRING PIN		028	028	028
79	0502012702	BODY SUPPORT CLAMP		019	019	019
80	0503012555	7/16" X 2" BOLT		016	016	016
81	0503010180	7/16" SPRING WASHER		019	019	019
82	0503010850	7/16" X 3" BOLT		003	003	003
83	0503010240	5/16" X 3/4" BOLT		024	024	024
84	0503011444	SPRING WASHER		024	024	024
85	0503010919	DISCHARGE VALVE		001	001	001
86	0503011053	5/16" X 3" C S 6.5 ZN BOLT		002	002	002
87	0503010179	SPRING WASHER		002	002	002

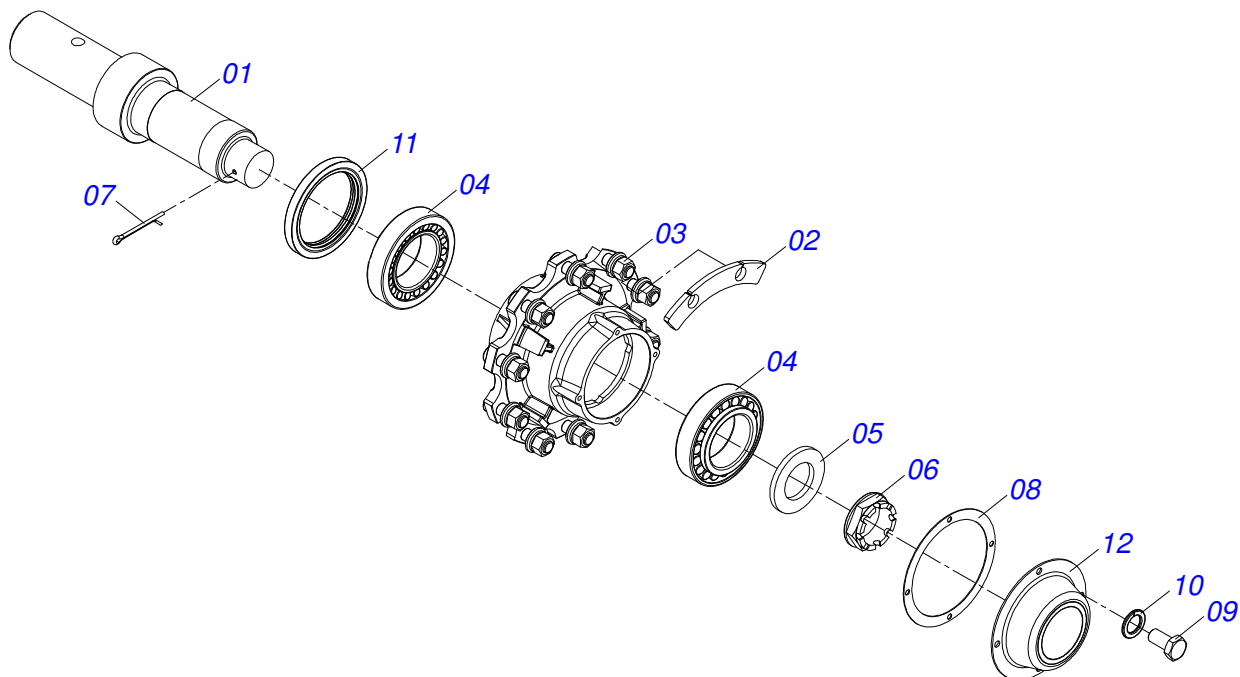


Item	Code	Description	See page	QT
01	0521061685	114,30 X 500 CYLINDER CASE		01
02	0521061684	56,98 X 590,50 TURNBUCKLE		01
03	0561016578	PISTON BODY		01
04	0502012643	PISTÓN BODY		01
05	0503015640	SEALING SELEMASTER		01
06	0502012644	RING SUPPORT		01
07	0503011893	8-346 BACK-UP RING		01
08	0503011892	2-346 N 3006-9B O'RING		01
09	0503015641	RING SLYDRING		01
10	0503015642	U-CUP SEALING		01
11	0503015715	SCRAPER SEALING		01
12	0502011222	0.56" MOBILE COVER		01
13	0503010002	1800 GREASE FITTING		02
14	0503030384	CON N-001 PLUG		02

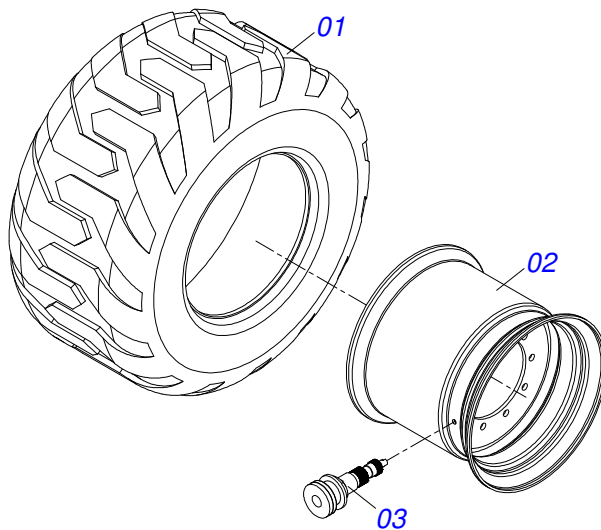


Item	Code	Description	See page	QT
01	0521063996	101,6 X 578 CYLINDER CASE		01
02	0521063995	50,8 X 594 TURNBUCKLE		01
03	0502010017	4" HEAD		01
04	0502012642	SUPPORT OF THE RINGS		01
05	0503015633	SELEMASTER SEALING		01
06	0561016389	PISTON BODY		01
07	0503015634	RING SLYDRING		01
08	0503011061	8-342 BACK-UP RING		01
09	0503010338	2-342 N 3006-9B O'RING		01
10	0503010345	2-218 N 3006-9B O'RING		01
11	0561016387	PISTON BODY		01
12	0503015635	U-CUP SEAL		01
13	0503015636	SCRAPER SEAL		01
14	0503010817	1-1/4" SELF-ADJUSTING NUT		01
15	0503010002	1800 GREASE FITTING		02

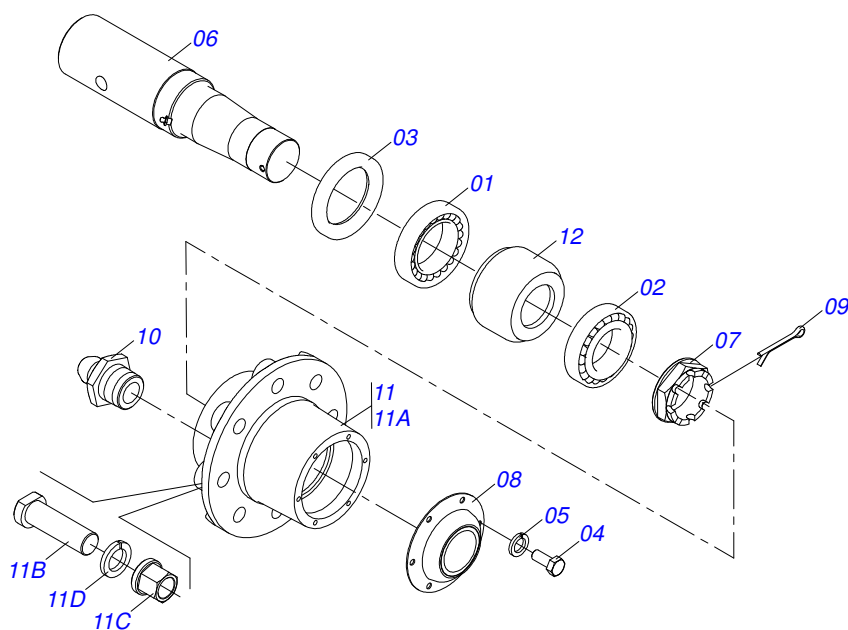
HUB ASSY



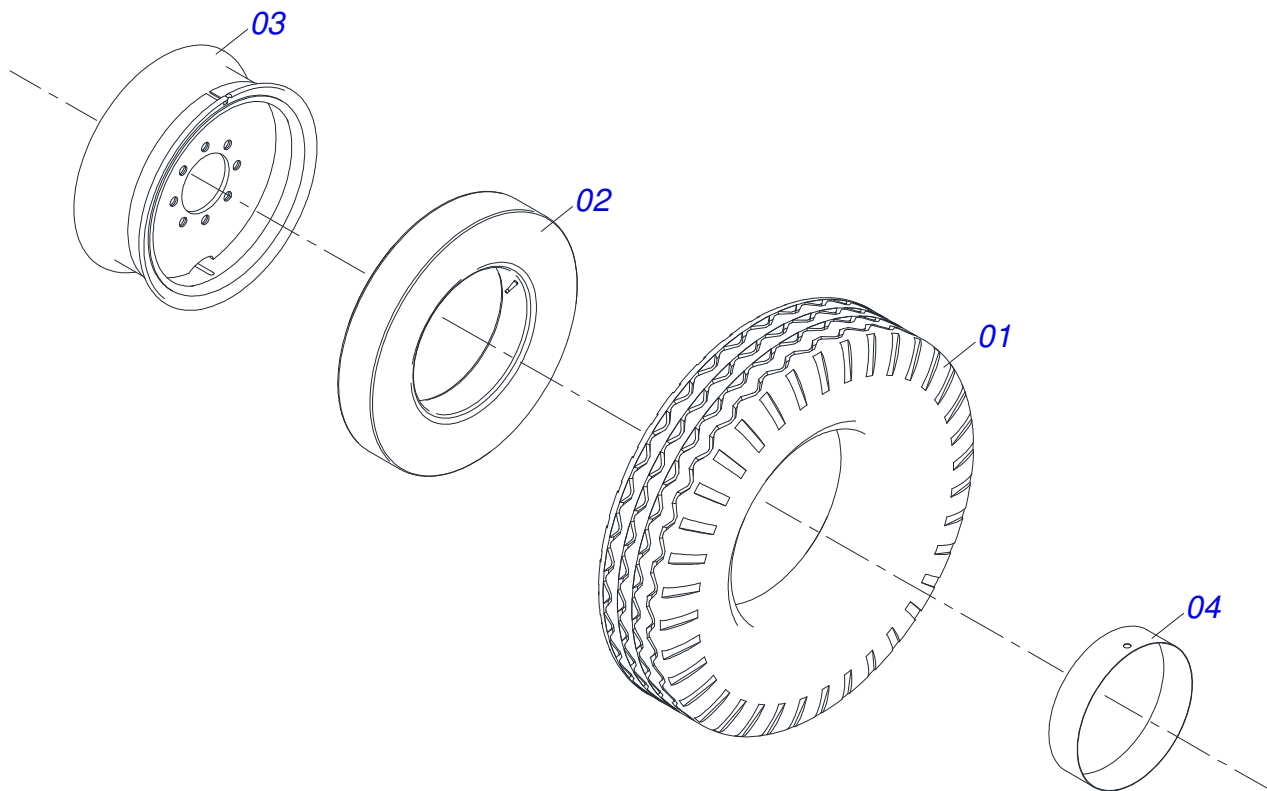
Item	Code	Description	See page	QT
01	0551011426	POINT AXIS R2.1/2UN		01
02	0561015521	FLANGE		05
03	0501110761	CARRYING WHEEL HUB ASSY		01
04	0503010118	32218 ROLLER BEARING		02
05	0531019986	FLAT WASHER		01
06	0502040080	2.1/2" UM FLANGE NUT		01
07	0503012213	1/4" X 4 COTTERPIN		01
08	0503013548	CORK JOINT		01
09	0503013546	M10 X 1,5 X 20MM BOLT		04
10	0503013542	M10 SPRING WASHER		04
11	0503013541	SEAL		01
12	0503013549	HUB COVER		01



Item	Code	Description	See page	QT
01	0503015483	TYRE 600/50-22.5 TL T404 168A8		01
02	0503015989	FULL WHEEL		01
03	0503013999	VALVE		01

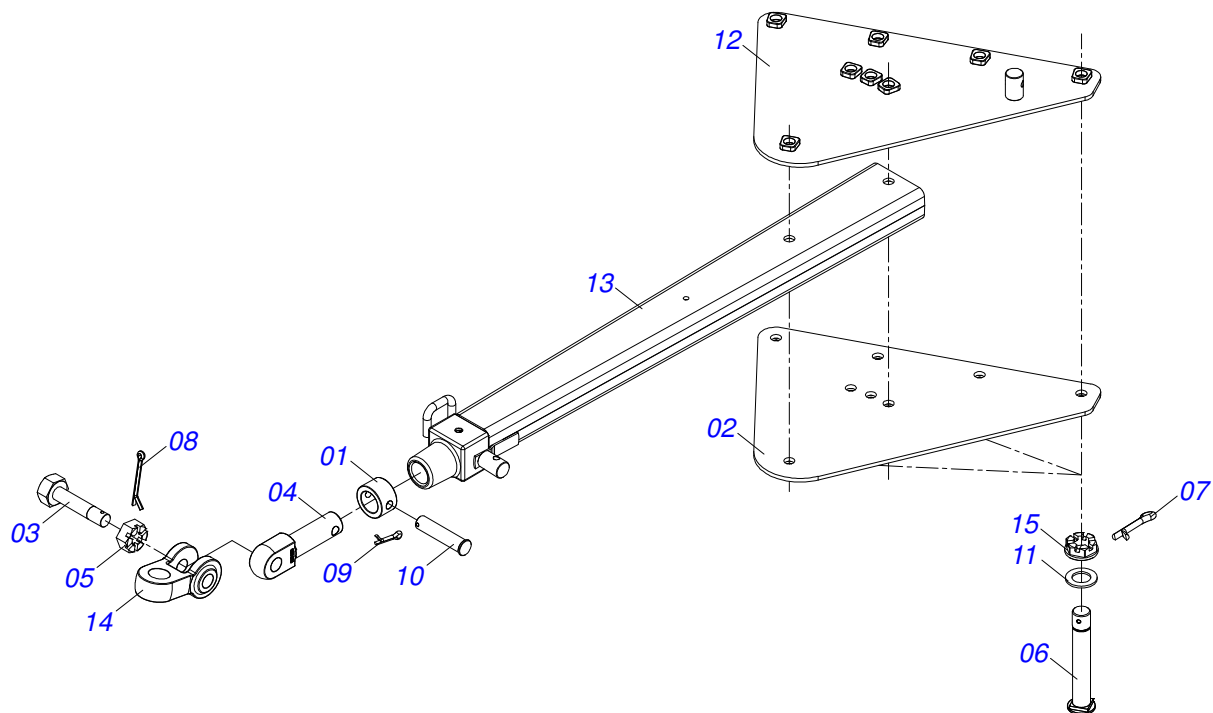


Item	Code	Description	See page	QT
01	0503010059	33287/33462 ROLLER BEARING		01
02	0503010007	3982/3920 ROLLER BEARING		01
03	0503010050	SEAL 00085-B		01
04	0503010240	5/16" X 3/4" BOLT		06
05	0503011444	SPRING WASHER		06
06	0571013653	POINT AXIS 88,80 X 430		01
07	0502040080	2.1/2" UM FLANGE NUT		01
08	0541013225	WHEEL BOX COVER		01
09	0503012231	1/4" X 3" COTTERPIN		01
10	0503010002	1800 GREASE FITTING		01
11	0501110751	HUB AND SPINDLE WITH BOLT		01
11A	0502040522	HUB CARRYING-WHEELS		01
11B	0503011339	M22 X 1,5 X 72 BOLT		08
11C	0503011341	M22 X 0.6" NUT GR8 NUT		08
11D	0503011340	SPHERICAL SPRING WASHER		08
12	1882970002	GREASE SOAP		01

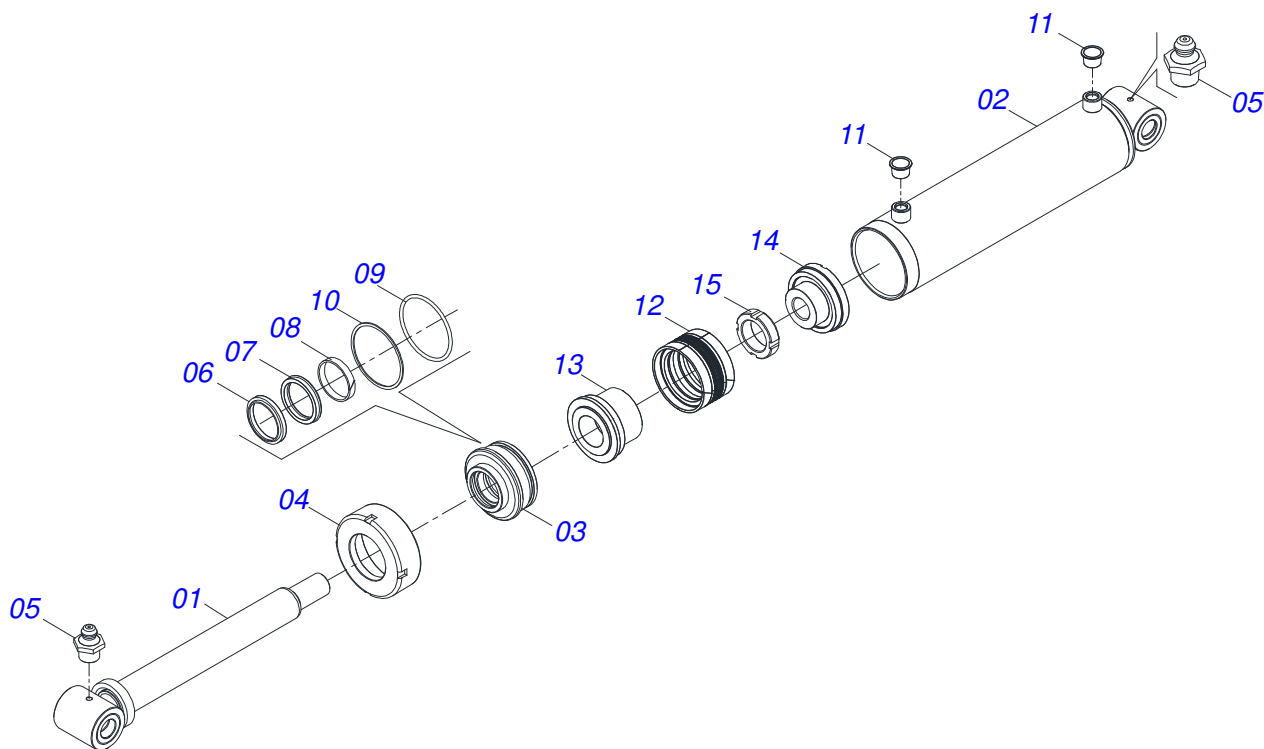


Item	Code	Description	See page	QT
001	0503010494	9.0LX 20" X 14 PLY, TIRE		01
002	0503010057	INNER TIRE		01
003	0501068263	2.6"X0.8"X6.0"X 8F0. 9"X8.0" WHEEL		01
004	0503010470	PROTECTION		01

DRAWBAR ASSY

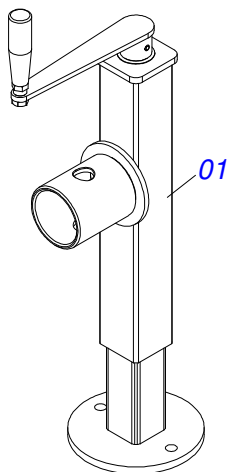


Item	Code	Description	See page	QT
01	0502040263	ANEL TRAVA ENGATE		01
02	0521063965	LOWER PLATE DRAWBAR		01
03	0511067199	2" BOLT		01
04	1902040264	HITCH PIN		01
05	0502040558	2" CASTLE NUT		01
06	0521011880	37,5 X 242 COUPLING SHAFT		06
07	0503010010	1/4" X 2.1/2" COTTERPIN		06
08	0503010074	3/8 X 0,15" COTTERPIN		01
09	0503010523	1/4" X 2" COTTERPIN		01
10	0561017306	COUPLING SHAFT		01
11	0501012916	FLAT WASHER 38,50 X 66 X 4,75 ZN		06
12	0521063967	UPPER PLATE		01
13	0521063968	DRAWBAR ASSY		01
14	0502040849	U COUPLING		01
15	0501011301	1.1/2 UNC 6FPP 2.5/16 NUT		06

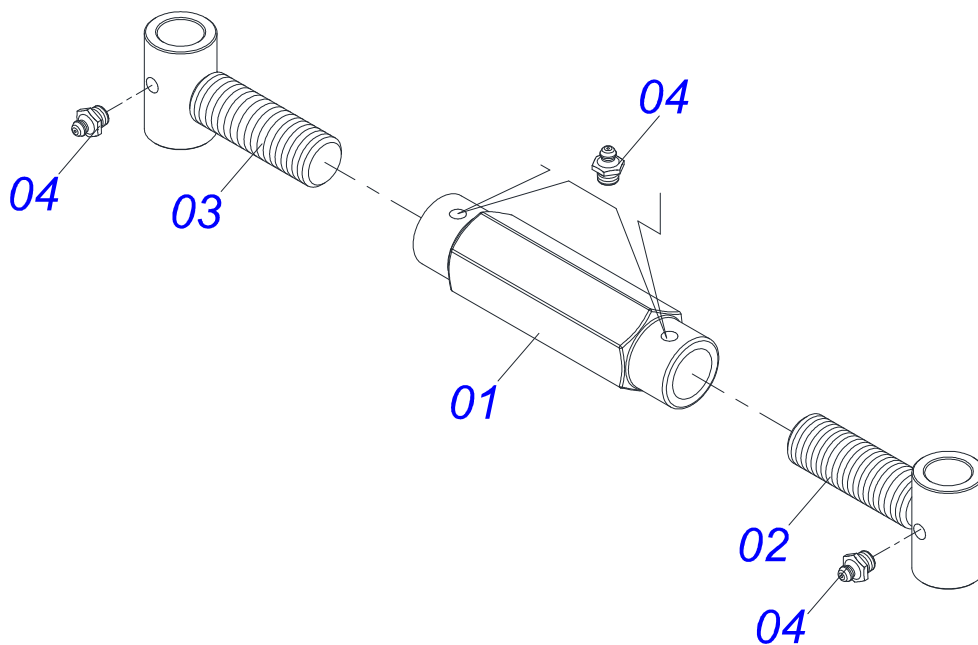


Item	Code	Description	See page	QT
001	0521061684	56,98 X 590,50 TURNBUCKLE		01
002	0521061685	114,30 X 500 CYLINDER CASE		01
003	0502012644	RING SUPPORT		01
004	0502011222	0.56" MOBILE COVER		01
005	0503010002	1800 GREASE FITTING		02
006	0503015715	SCRAPER SEALING		01
007	0503015642	U-CUP SEALING		01
008	0503015641	RING SLYDRING		00
009	0503011892	2-346 N 3006-9B O'RING		01
010	0503011893	8-346 BACK-UP RING		01
011	0503030384	CON N-001 PLUG		02
012	0503015640	SEALING SELEMASTER		01
013	0561016578	PISTON BODY		01
014	0581015283	BODY		01
015	0503819100	SCREW		01

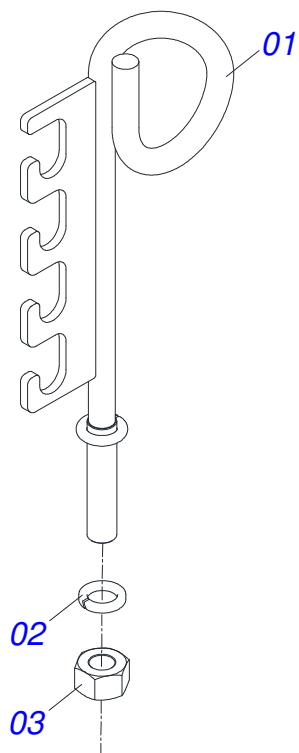
DRAWBAR JACK



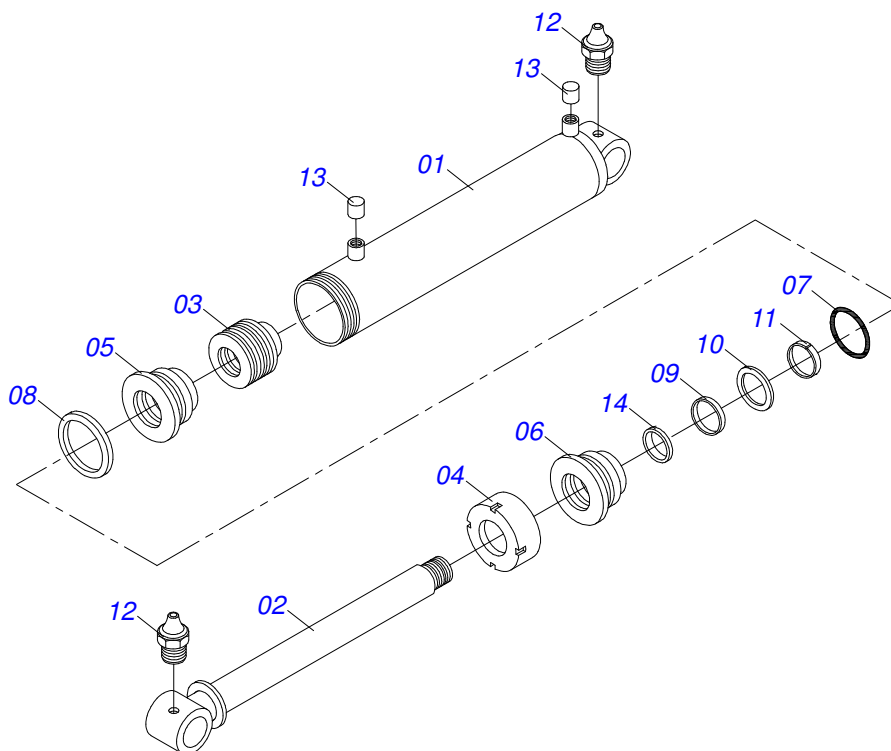
Item	Code	Description	See page	QT
01	0503062227	DRAWBAR JACK		01



Item	Code	Description	See page	QT
01	0502011469	245 ADJUSTMENT NUT		01
02	0501069416	JACKET		01
03	0501069417	JACK CRANK		01
04	0503010002	1800 GREASE FITTING		04

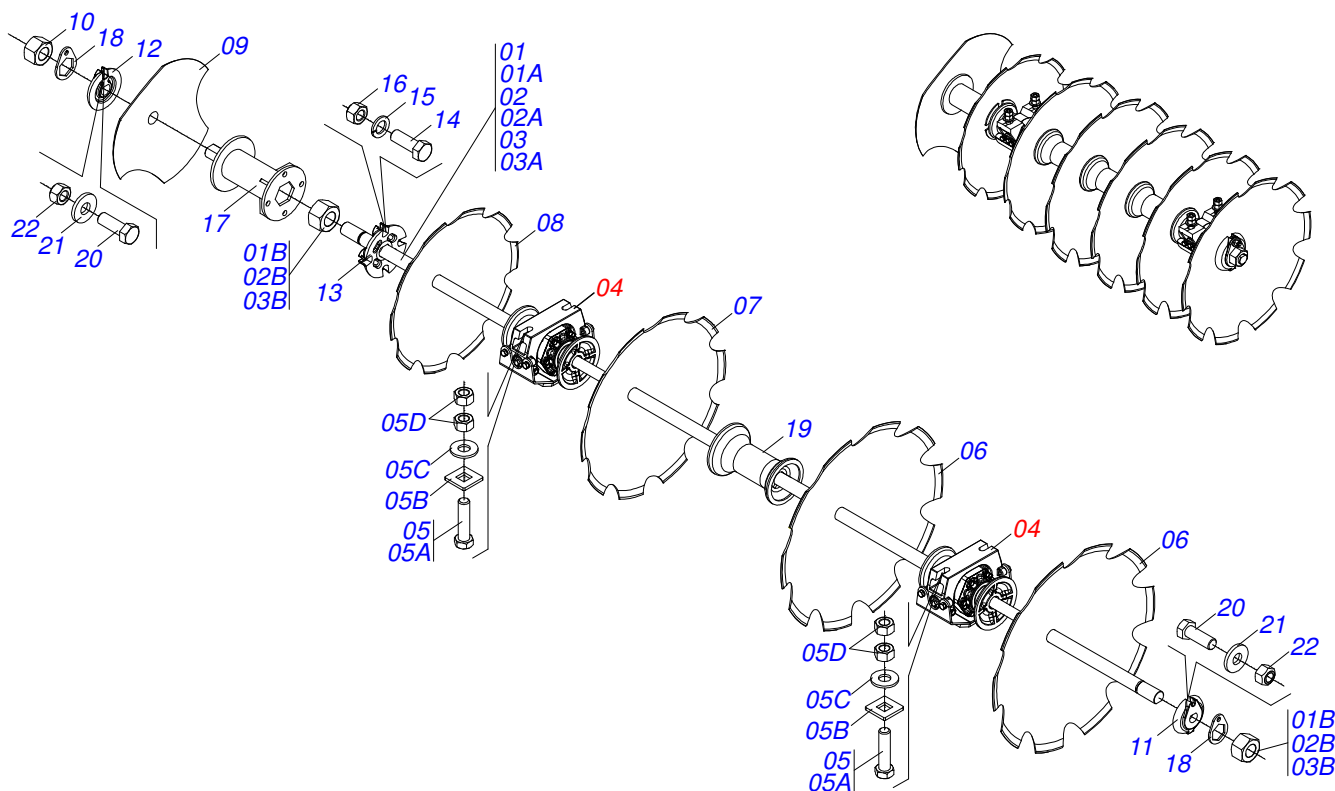


Item	Code	Description	See page	QT
001	0501060409	HOSE SOPPORT ASSY		01
002	0503011442	3/4" SPRING WASHER		01
003	0503010014	3/4" NUT		01



Item	Code	Description	See page	QT
01	0521063997	CYLINDER CASE		01
02	0521063998	53,98 X 902 TURNBUCKLE		01
03	0502012646	RING SUPPORT		01
04	0502010382	5" HEAD		01
05	0561016583	PISTON BODY		01
06	0502012645	PISTON BODY		01
07	0503010351	2-425 N 3006-9B O'RING		01
08	0503011062	8-425 BACK-UP RING		01
09	0503015641	RING SLYDRING		01
10	0503015642	U-CUP SEALING		01
11	0503015715	SCRAPER SEALING		01
12	0503010002	1800 GREASE FITTING		02
13	0503030384	CON N-001 PLUG		02
14	0503015643	SEAL		01

SECTION DISC



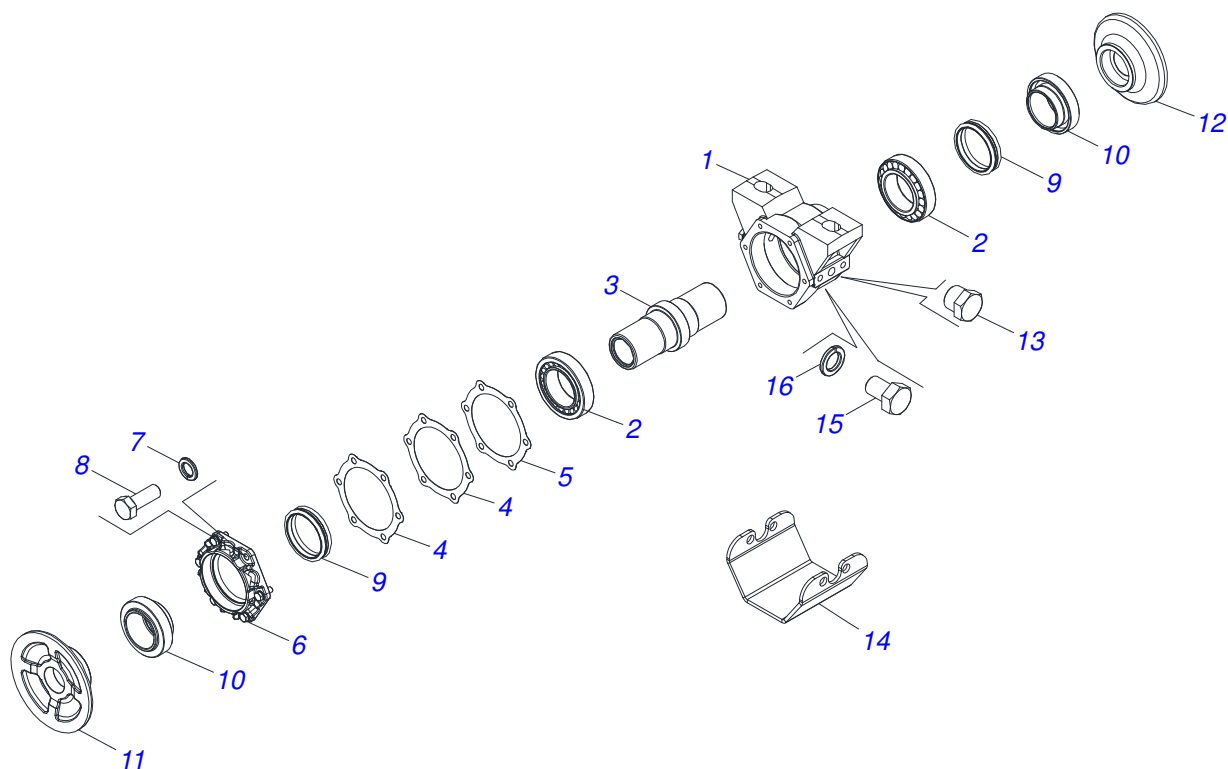
Item	Code	Description	See page	072	076	080
01	0501040360	1.3/4" X 1250 AXLE WITH NUT		008	004	000
01A	0501011425	1.3/4 X 1250 AXLE		008	004	000
01B	0501010333	1.3/4" NUT		016	008	000
02	0501040358	1,3/4" X 2060 AXLE WITH NUT		004	004	004
02A	0501011436	1,3/4" X 2060 AXLE		004	004	004
02B	0501010333	1.3/4" NUT		008	008	008
03	0501040361	1.3/4 X 1520 AXLE WITH NUT		000	004	008
03A	0501011424	1,3/4" X 1520 AXLE		000	004	008
03B	0501010333	1.3/4" NUT		000	008	016
04	0511041509	AGRICULTURAL BEARING	15	014	014	014
05	0501041925	3/4" X 3-1/2" BOLT ASSY		056	056	056
05A	0501010950	3/4" X 3-1/2" BOLT		056	056	056
05B	0501010949	3/4" SQUARE WASHER		056	056	056
05C	0501010322	FLAT WASHER		056	056	056
05D	0503010014	3/4" NUT		112	112	112
06	0602040041	30X7,5 C105AF04FR1.13/16 10R T/CV NOTCHED DISC		071	075	079
07	0602037001	28" X 7,5MM NOTCHED DISC BLADE		071	075	079
07.	0602037161	28" X 7,5 MM NOTCHED DISC BLADE		071	075	079
08	0602033056	26" X 7,5 MM NOTCHED SIC BLADE		001	001	001
09	0602030423	24"X 6MM NOTCHED DISC BLADE		001	001	001
09.	0602033344	26"X 6MM NOTCHED DISC BLADE		001	001	001
10	0501010333	1.3/4" NUT		001	001	001
11	0502012221	1-1/2" INNER AXLE WASHER		012	012	012
12	0502012222	1-3/4" EXTERNAL AXLE WASHER		012	012	012
13	0502012378	1-3/4" EXTERNAL AXLE WASHER		001	001	001
14	0503010232	5/8" X 1.3/4" BOLT		004	004	004
15	0503010027	SPRING WASHER		004	004	004
16	0503010013	5/8" NUT		004	004	004
17	0521064053	SPACING 227 AXLE 1.3/4		001	001	001
18	0511014339	1-5/8" 2.8" NUT LOCK		056	056	056
19	0502010400	263 SPACER		020	020	020



SECTION DISC

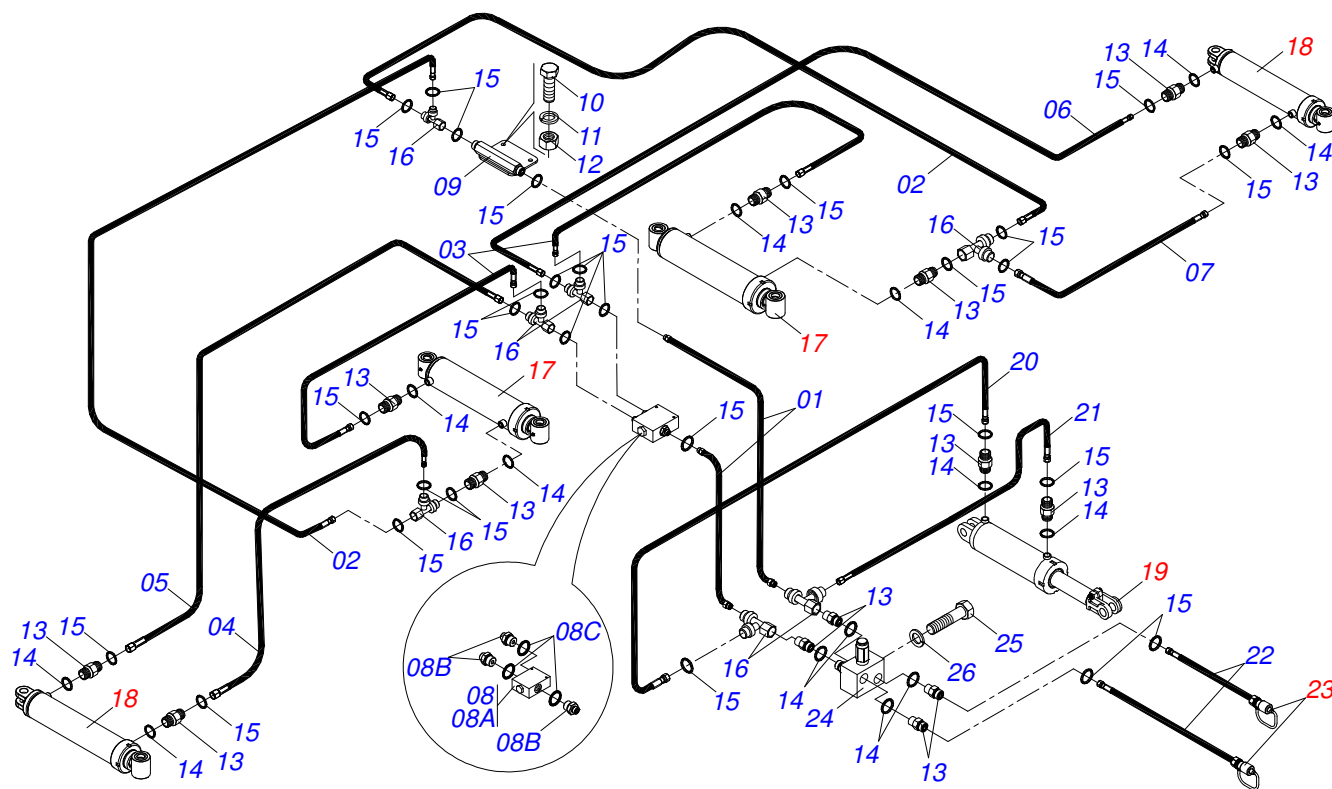
0909090570

Item	Code	Description	See page	072	076	080
20	0503010232	5/8" X 1.3/4" BOLT		028	028	028
21	0501012140	FLAT WASHER		028	028	028
22	0503010013	5/8" NUT		028	028	028

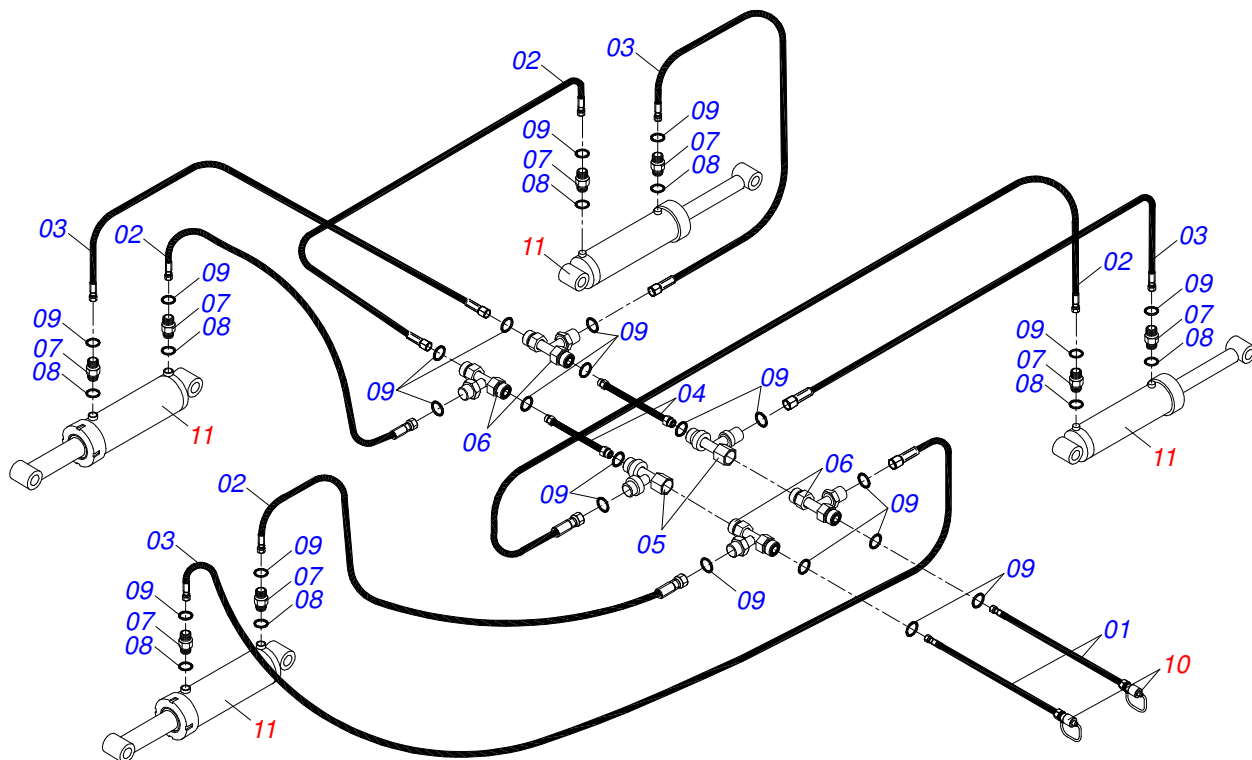


Item	Code	Description	See page	QT
01	0502020636	8.8" X 1-5/8" OIL HOUSING BEARING		01
02	0503010104	3984/3920 ROLLER BEARING		02
03	0502010824	AXLE CM/DM		01
04	0503030030	5.6" X 4.4" X 0.01" GASKET		02
05	0503030685	5.5" X 4.4" X 0.003" GASKET		01
06	0502020161	WEAR PLATE BEARING		01
07	0503011443	SPRING WASHER		06
08	0503010237	3/8" X 1" BOLT		06
09	0503030027	DUO-CONE SEAL		02
10	0502010823	SEAL RETAINER		02
11	0502040141	OUTER FLANGE		01
12	0502040142	INNER FLANGE		01
13	0503010856	OIL PLUG		02
14	0581013547	PROTECTION COVER BEARING		01
15	0503011401	1/2" X 3/4" BOLT		04
16	0503010019	1/2" SPRING WASHER		04

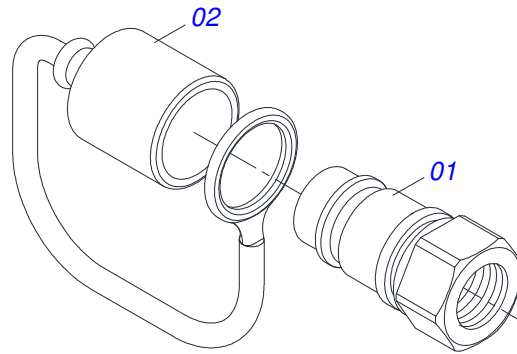
HYDRAULIC CIRCUIT



Item	Code	Description	See page	QT
01	0501080954	1/2" X 3200 TR-TR HOSE ASSY		02
02	0501081116	1/2 X 1630 TC-TC HOSE ASSY		02
03	0501081115	1/2" X 1330 TC-TR HOSE ASSY		02
04	0501081904	1/2" X 4500 TC-TC HOSE ASSY		01
05	0501081075	1/2" X 4000 TR-TC HOSE ASSY		01
06	0501081219	1/2 X 5700MM TR-TC HOSE ASSY		01
07	0501081910	1/2" X 6000 TC-TC HOSE ASSY		01
08	0511051627	FLOW DIVIDING VALVE		01
08A	0503016227	FLOW DIVIDING VALVE		01
08B	0571010736	NIPPLE R1.1/16 UN X 13/16UN OFS		03
08C	0503011109	2-119 N 3006-9B O'RING		03
09	0521062967	OIL TUBE DISTRIBUTOR		01
10	0503011053	5/16" X 3" C S 6.5 ZN BOLT		02
11	0503010179	SPRING WASHER		02
12	0503010337	5/16" NUT		02
13	0503030923	3/4" UNF X 13/16UN OFS X 40 NIPPLE		10
14	0503010190	2-114 N 3006-9B O'RING		10
15	0503011030	2-014 N 3006-9B O'RING		32
16	0503013637	T 1/2" MALE ADAPTER		07
17	0511048619	HYDRAULIC CYLINDER	2	02
18	0521042023	50,8 X 101,6 X 665 X 385 HYDRAULIC CYLINDER	3	02
19	0521051832	HYDRAULIC CYLINDER	9	01
20	0501081115	1/2" X 1330 TC-TR HOSE ASSY		01
21	0501081707	1/2" X 1000 TC-TR OFS HOSE		01
22	0501081902	1/2" X 5500 TR-TM HOSE ASSY		02
23	0501053834	MALE QUICK COUPLING AGRICULTURAL WITH 18 COVER - 1/2 NPT		02
24	0503010919	DISCHARGE VALVE		01
25	0503010237	3/8" X 1" BOLT		02
26	0503010025	3/8 SPRING WASHER		02



Item	Code	Description	See page	QT
01	0501081901	1/2" X 6800 TR-TM HOSE ASSY		02
02	0501081923	1/2" X 2200 TC-TC HOSE ASSY		04
03	0501081226	1/2" X 2350 TC-TC HOSE ASSY		04
04	0501081761	1/2" X 2600 TR-TR HOSE ASSY		02
05	0503013637	T 1/2" MALE ADAPTER		02
06	0503013273	T 1/2" MALE ADAPTER		04
07	0503030923	3/4" UNF X 13/16UN OFS X 40 NIPPLE		08
08	0503010190	2-114 N 3006-9B O'RING		09
09	0503011030	2-014 N 3006-9B O'RING		22
10	0501053834	MALE QUICK COUPLING AGRICULTURAL WITH 18 COVER - 1/2 NPT		02
11	0521042024	53,98 X 127 X 1604 X 639 HYDRAULIC CYLINDER	13	04



Item	Code	Description	See page	QT
01	0503011627	QUICK CONNECTION (MALE) AGR 1/2 NPT		01
02	0503011882	QUICK CONNECTION COVER		01



MARCHESAN IMPLEMENTOS E MÁQUINAS AGRÍCOLAS TATU S.A.

AV. Marchesan, 1979 - Post office box, 131 - CEP 15994-900 - Matão - SP - Brazil

Phone +55 16.3382-8282

(FAX Parts) + 55 16.3382. 8297 - (Export) + 55 16.3382.1003

e.mail: tatu@marchesan.com.br www.marchesan.com.br

Technical Publications: Elaboration

ALESSANDRA PATRICIA KAWAHARA CARRILI

Technical Publications: Revision

JOSÉ DOMINGOS GASPARI

Contact Catálogo:

E-mail = jgaspari@marchesan.com.br

**ORIGINAL PARTS
TATU**

