

PARTS CATALOGUE



OFFSET DISK HARROW

Code:

0501091110

Product:

GCRO 7010 (AXLE 1.5/8") RIGID HYDRAULIC/ARTICULATED 28 TO 40 DISCS

**Series:**

S-0405

Revision:

00

Date Revision:

ABRIL/2014



PRODUCTS

Code	Description
0102560087	GCRO 7010 28 X 28 X 7,5 DM DR S0405
0102260639	GCRO 7010 28 X 28 X 7,5 DM DR S0405
0102260640	GCRO 7010 32 X 28 X 7,5 DM DR S0405
0102260641	GCRO 7010 36 X 28 X 7,5 DM DR S0405
0102260488	GCRO 7010 36X30X7,5DM MT S0405
0102260642	GCRO 7010 40 X 28 X 7,5 DM DR S0405

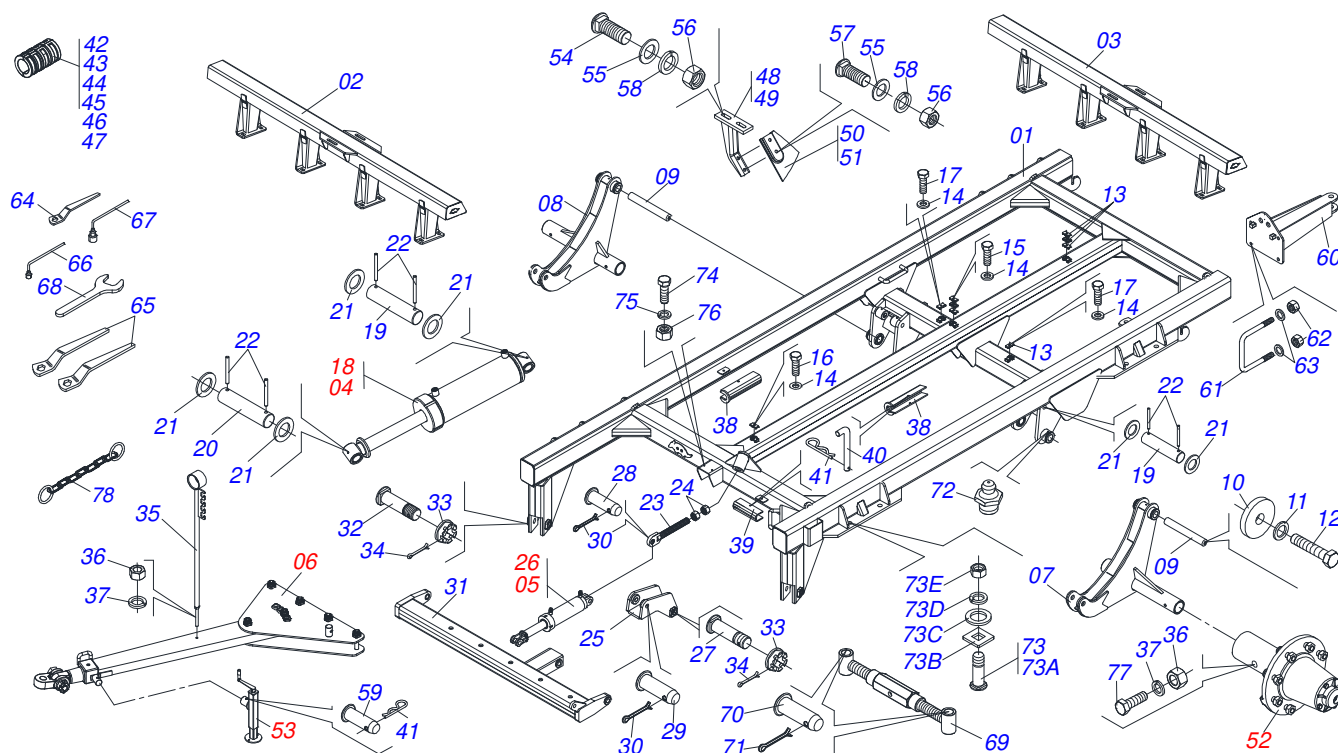
ATTENTION: IMPORTANT

Marchesan S.A. reserves the right to improve and / or modify the technical features of its products, without obligation to do the same with those products already sold and without prior knowledge of the dealer or the consumer.



INDEX

0909098644	FRAME 28 TO 40 DISCS ASSY	1
0511041592	DRAWBAR ASSY	2
0511048088	DRAWBAR JACK	3
0501056467	STUB SHAFT & HUB ASSY	4
0501052005	STABILIZER FOR GANG	5
0521051832	HYDRAULIC CYLINDER	6
0511058419	HYDRAULIC CYLINDER 50,80 X 101,60 X 514 X 206	7
0511041599	2" X 5" X 25.75" X 13.62" HYDR CYLINDER	8
0501049064	50,8 X 101,6 X 515 X 203 HYDRAULIC CYLINDER	9
0909090580	GANG FRONT DISC 28 THE 40	10
0909090579	GANG REAR DISC 28 THE 40	11
0501048457	262MM X 1.5/8" RD OIL BATH BEARING	13
0909093381	28/48D - HYDRAULIC CIRCUIT	14



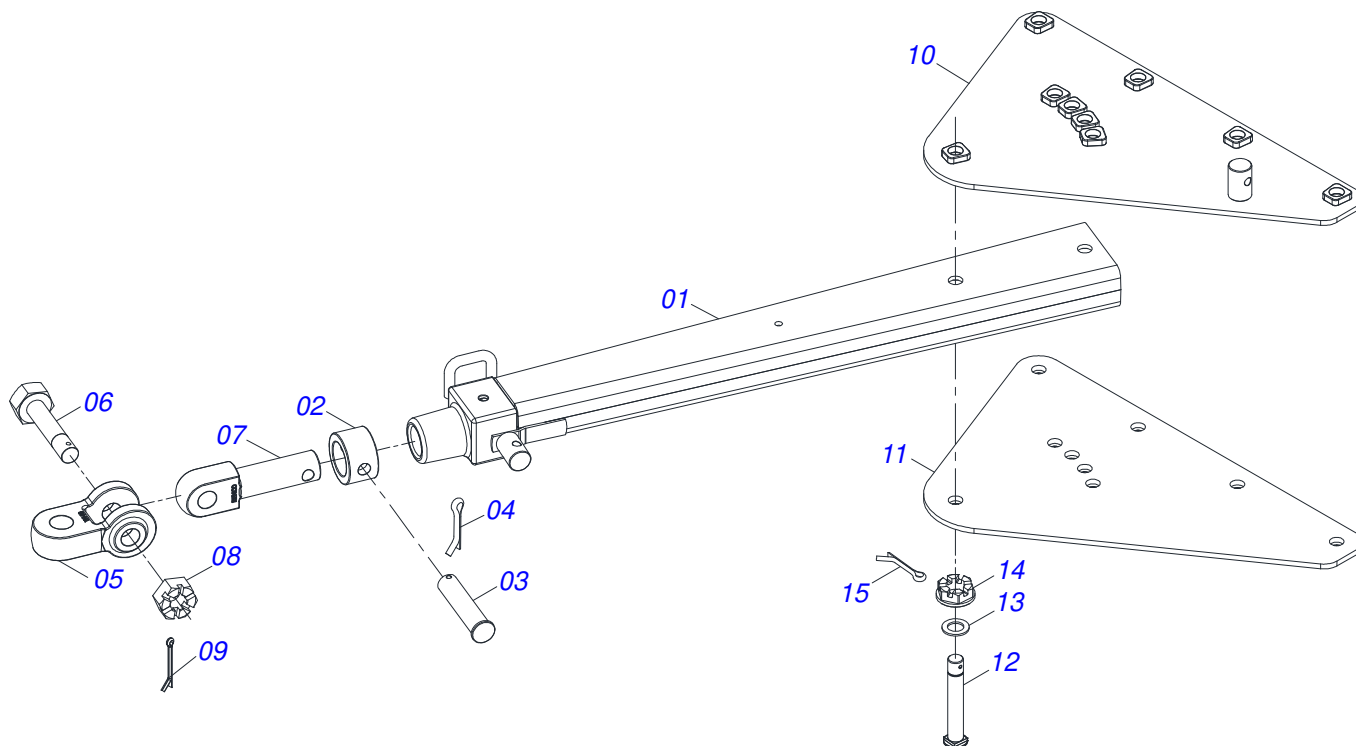
Item	Code	Description	See page	28	32	36	40
01	0511066590	FRAME GCRO 7010/7012		01	01	01	01
02	0511066033	FRONT FRAME		01	00	00	00
02.	0511066035	FRONT FRAME		00	01	00	00
02..	0511066037	FRONT FRAME		00	00	01	00
02...	0511066039	FRONT FRAME		00	00	00	01
03	0511066034	REAR FRAME		01	00	00	00
03.	0511066036	REAR FRAME		00	01	00	00
04	0521051832	HYDRAULIC CYLINDER	6	02	02	02	02 (ATUAL) (CURRENT)
05	0511058419	HYDRAULIC CYLINDER 50,80 X 101,60 X 514 X 206	7	01	01	01	01 (ATUAL) (CURRENT)
06	0511041592	DRAWBAR ASSY	2	00	00	01	00
07	0511066611	LEFT CARRYING-WHEELS SUPPORT		00	00	00	01
08	0511066741	RIGHT CARRYING-WHEELS SUPPORT		00	00	00	01
09	0531018062	COUPLING SHAFT		02	02	02	02
10	0521011565	FLAT WASHER		04	04	04	04
11	0503010012	1" SPRING WASHER		04	04	04	04
12	0503011250	1" X 2" BOLT		04	04	04	04
13	0502012702	BODY SUPPORT CLAMP		10	10	10	10
14	0503010180	7/16" SPRING WASHER		04	04	04	04
15	0503012555	SCREW 7/16 UNC X 2 CS RT G.7 ZN		02	02	02	02
16	0503010850	BOLT 7/16 UNC X 3 CS G.5 ZN		01	01	01	01
17	0503010851	7/16" X 3.1/2" BOLT		02	02	02	02
18	0511041599	2" X 5" X 25.75" X 13.62" HYDR CYLINDER	8	02	02	02	02 (REPOSIÇÃO)(REPLACEMNT)
19	0531018105	1.2" X 11.8" PIVOT SHAFT		02	02	02	02
20	0531018101	1.2" X 6.3" PIVOT SHAFT		02	02	02	02
21	0501017779	32 X 60 X 4.75 FLAT WASHER		08	08	08	08
22	0503011877	0.3" X 2.4" SPRING PIN		08	08	08	08
23	0511064433	REGULATOR SPINDLE 1-3/4		01	01	01	01
24	0501010333	1.3/4" NUT		02	02	02	02
25	0511064656	DRAWBAR PIVOT		01	01	01	01
26	0501049064	50,8 X 101,6 X 515 X 203 HYDRAULIC CYLINDER	9	01	01	01	01 (REPOSIÇÃO)(REPLACEMNT)
27	0521012053	1.5" X 8.6" AXLE		01	01	01	01



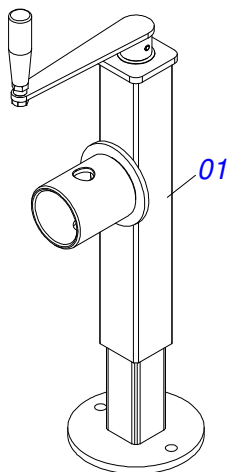
**GCRO 7010 (AXLE 1.5/8") RIGID HYDRAULIC/ARTICULATED
FRAME 28 TO 40 DISCS ASSY**

Item	Code	Description	See page	28	32	36	40
28	0521012538	1.2" X 3.5" COUPLING SHAFT		01	01	01	01
29	0531019171	1.25" X 7" COUPLING SHAFT		01	01	01	01
30	0503010523	1/4" X 2" COTTERPIN		02	02	02	02
31	0511066478	HITCH BAR		01	01	01	01
32	0531018100	37,50 X 200 COUPLING SHAFT		02	02	02	02
33	0501011301	1.1/2 UNC 6FPP 2.5/16 NUT		03	03	03	03
34	0503010010	1/4" X 2.1/2" COTTERPIN		03	03	03	03
35	0511064470	HOSE HOLDER ASSY		01	01	01	01
36	0503010014	3/4" NUT		05	05	05	05
37	0503010023	3/4" SPRING WASHER		05	05	05	05
38	0511064985	TRANSPORT LOCK		02	02	02	02
39	0551010332	TRANSPORT LOCK		01	01	01	01
40	0541016844	FIXER LOCK		03	03	03	03
41	0503030168	HAIR PIN		04	04	04	04
42	0501047895	ROD STOP		03	03	03	03
43	0501047896	1.18" ROD STOP		03	03	03	03
44	0501047897	1.38" ROD STOP		03	03	03	03
45	0501047898	1.57" ROD STOP		03	03	03	03
46	0501047917	1.96" ROD STOP		03	03	03	03
47	0501047924	ROD STOP		03	03	03	03
48	0511065925	REAR SCRAPER SUPPORT		25	25	25	25
49	0511065926	FRONT SCRAPER SUPPORT		24	24	24	24
50	0541013461	FRONT SCRAPER SHOVEL		24	24	24	24
51	0541013463	REAR SCRAPER SHOVEL		25	25	25	25
52	0501056467	STUB SHAFT & HUB ASSY	4	04	04	04	04
53	0511048088	DRAWBAR JACK	3	01	01	01	01
54	0503013842	5/8" UNC X 1-3/4" BOLT		98	98	98	98
55	0501012140	FLAT WASHER		196	196	196	196
56	0503010013	5/8" NUT		196	196	196	196
57	0503012195	5/8" NUT		98	98	98	98
58	0503010027	5/8" SPRING WASHER		196	196	196	196
59	0541011345	16 X 68 PLUGER		01	01	01	01
60	0501069421	REAR HITCH GCRO		01	01	01	01
61	0541016679	7/8 UNF X 188,5 FASTENER		02	02	02	02
62	0503010558	7/8" NUT		04	04	04	04
63	0503010408	7/8" SPRING WASHER		04	04	04	04
64	0501011432	1-1/2" AND 1-5/8 GANG BOLT WRENCH		01	01	01	01
65	0501011431	1-3/4" GANG BOLT WRENCH		02	02	02	02
66	0501061609	3/4" WRENCH CABLE CYLINDRICAL		01	01	01	01
67	0501062300	1-1/4" WRENCH CABLE CYLINDRICAL		01	01	01	01
68	0541015451	FIXED KEY 2.3/8 X 2.3/4		01	01	01	01
69	0501052005	STABILIZER FOR GANG	5	01	01	01	01
70	0521010546	1.2" X 5.7" COUPLING SHAFT		02	02	02	02
71	0503010523	1/4" X 2" COTTERPIN		02	02	02	02
72	0503010002	1800 GREASE FITTING		20	20	20	20
73	0501041102	1-1/4" X 3-3/4" ASSY BOLT		08	08	08	08
73A	0501015348	1-1/4" X 3-3/4" BOLT		08	08	08	08
73B	0501010953	1-1/4" SQUARE WASHER		08	08	08	08
73C	0531010713	FLAT WASHER		08	08	08	08
73D	0503010070	SPRING WASHER		08	08	08	08
73E	0501010087	1.1/4" NUT		08	08	08	08
74	0503010765	3/8" X 3" BOLT		02	02	02	02
75	0503010025	3/8" SPRING WASHER		02	02	02	02
76	0503010026	3/8" NUT		02	02	02	02
77	0503013185	3/4" X 5-1/2" BOLT		04	04	04	04
78	0503013150	1300 X 3/8 CHAIN		01	01	01	01

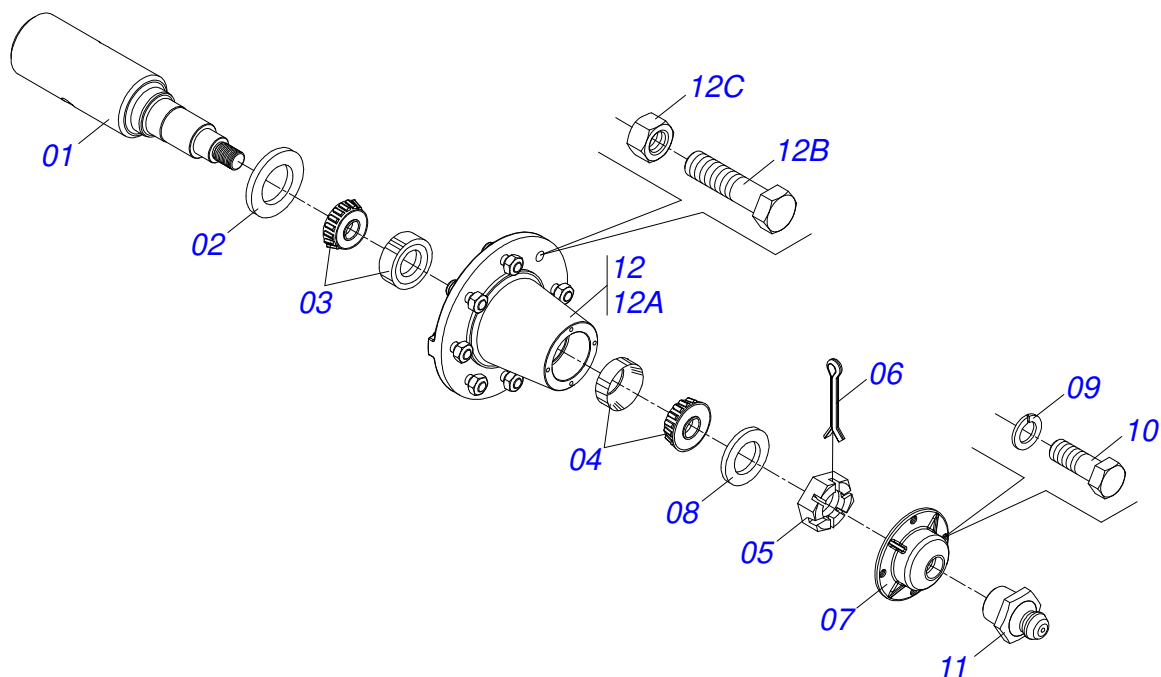
DRAWBAR ASSY



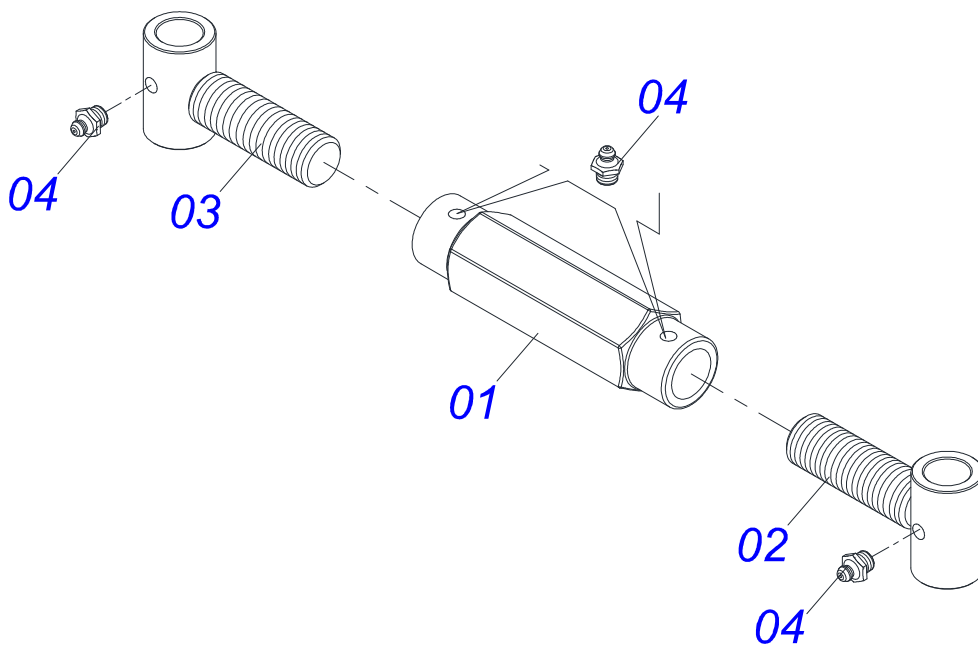
Item	Code	Description	See page	QT
01	0511064669	DRAWBAR ASSY		01
02	0502040263	ANEL TRAVA ENGATE		01
03	0561017306	COUPLING SHAFT		01
04	0503010523	1/4" X 2" COTTERPIN		01
05	0502040293	YH-90 CLEVIS		01
06	0511067199	2" BOLT		01
07	0502040264	DRAWBOLT		01
08	0502040558	2" CASTLE NUT		01
09	0503010074	3/8 X 0,15" COTTERPIN		01
10	0511064659	UPPER PLATE		01
11	0511064658	LOWER PLATE		01
12	0521011880	37,5 X 242 COUPLING SHAFT		06
13	0501012916	FLAT WASHER 38,50 X 66 X 4,75 ZN		06
14	0501011301	1.1/2 UNC 6FPP 2.5/16 NUT		06
15	0503010010	1/4" X 2.1/2" COTTERPIN		06



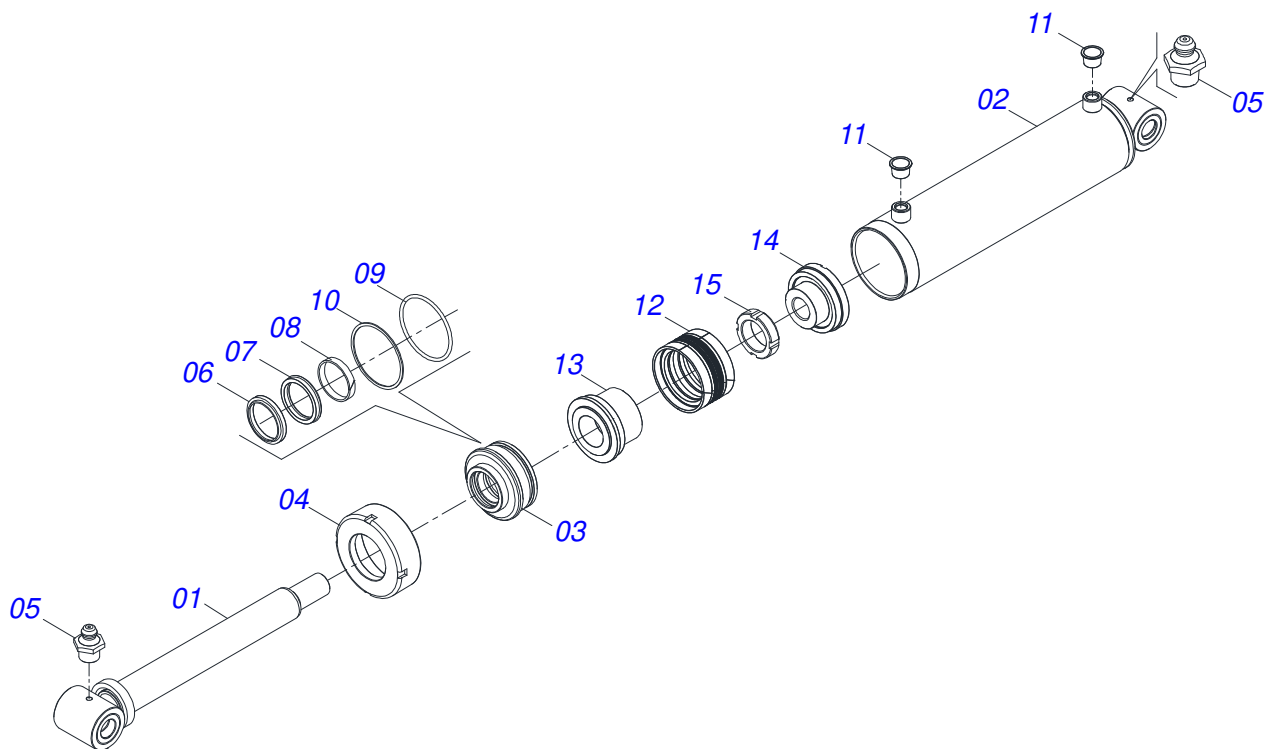
Item	Code	Description	See page	QT
01	0503062227	DRAWBAR JACK		01



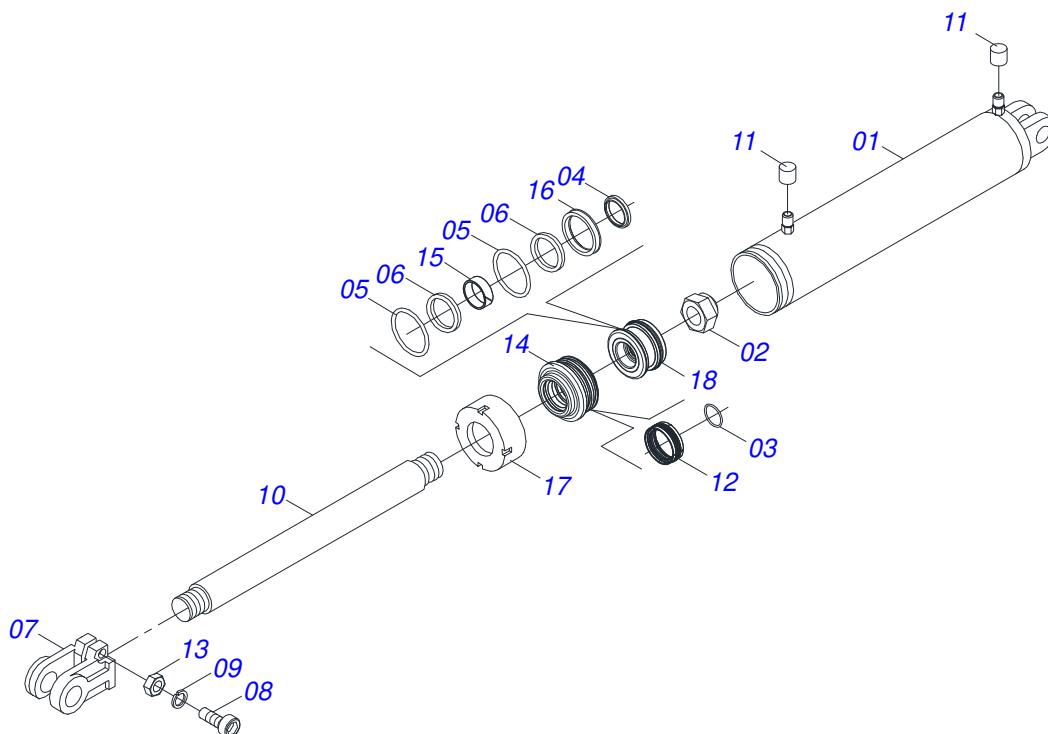
Item	Code	Description	See page	QT
01	0541016566	POINT AXIS 3.1/2 X 375 GCRO 7010		01
02	0503013314	RETENTOR 5166-GB 63,5 X 110 X 13 ARCA		01
03	0503015290	3780/3720 ROLLER BEARING		01
04	0503014821	ROLLER BEARING		01
05	0503830009	1" X 0.9" CASTLE NUT		01
06	0503010018	5/32 X 1-1/2 COTTERPIN		01
07	0502020591	PROTECCION COVER		01
08	0511812492	FLAT WASHER		01
09	0503011444	SPRING WASHER		04
10	0503810358	5/16" X 7/8" UNC BOLT		04
11	0503010002	1800 GREASE FITTING		01
12	0501110738	CARRYING WHEEL HUB		01
12A	0502012260	CAIXA RODADO TRANSPORTE		01
12B	0501010186	WHEEL SCREW 5/8UNF X 2.1/8CR		08
12C	0503010064	5/8 UNF CONIC NUT		08



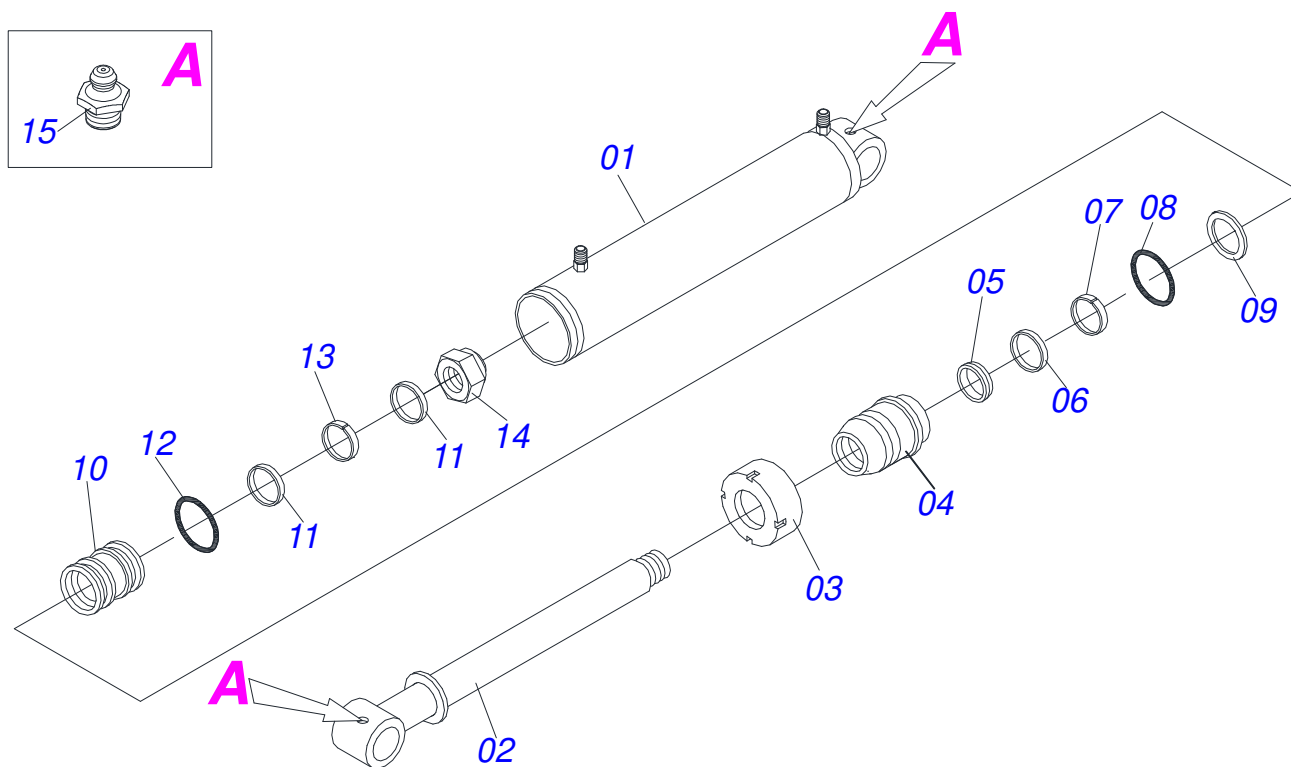
Item	Code	Description	See page	QT
01	0502011469	245 ADJUSTMENT NUT		01
02	0501069416	JACKET		01
03	0501069417	JACK CRANK		01
04	0503010002	1800 GREASE FITTING		04



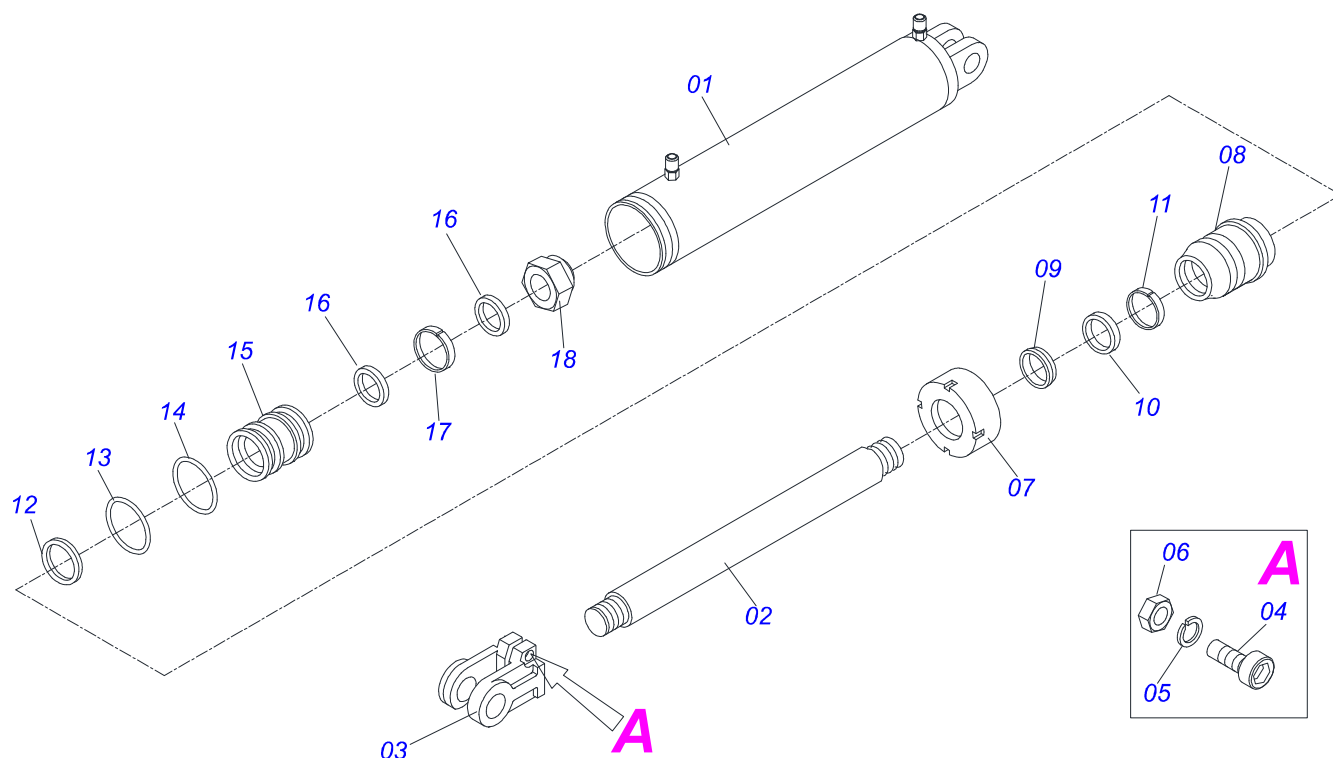
Item	Code	Description	See page	QT
01	0521061684	56,98 X 590,50 TURNBUCKLE		01
02	0521061685	114,30 X 500 CYLINDER CASE		01
03	0502012644	RING SUPPORT		01
04	0502011222	0.56" END CAP		01
05	0503010002	1800 GREASE FITTING		02
06	0503015715	SCRAPER SEALING		01
07	0503015642	U-CUP SEALING		01
08	0503015641	WEAR RING		00
09	0503011892	O' RING, 2-346 N 3006-9B		01
10	0503011893	BACK-UP RING, 8-346		01
11	0503030384	CON PLUG N-001		02
12	0503015640	SEALING SELEMASTER		01
13	0561016578	PISTON BODY		01
14	0581015283	BODY		01
15	0503819100	SCREW		01
16	0501038027	HYDRÁULIC CYLINDER REPAIR KIT		01



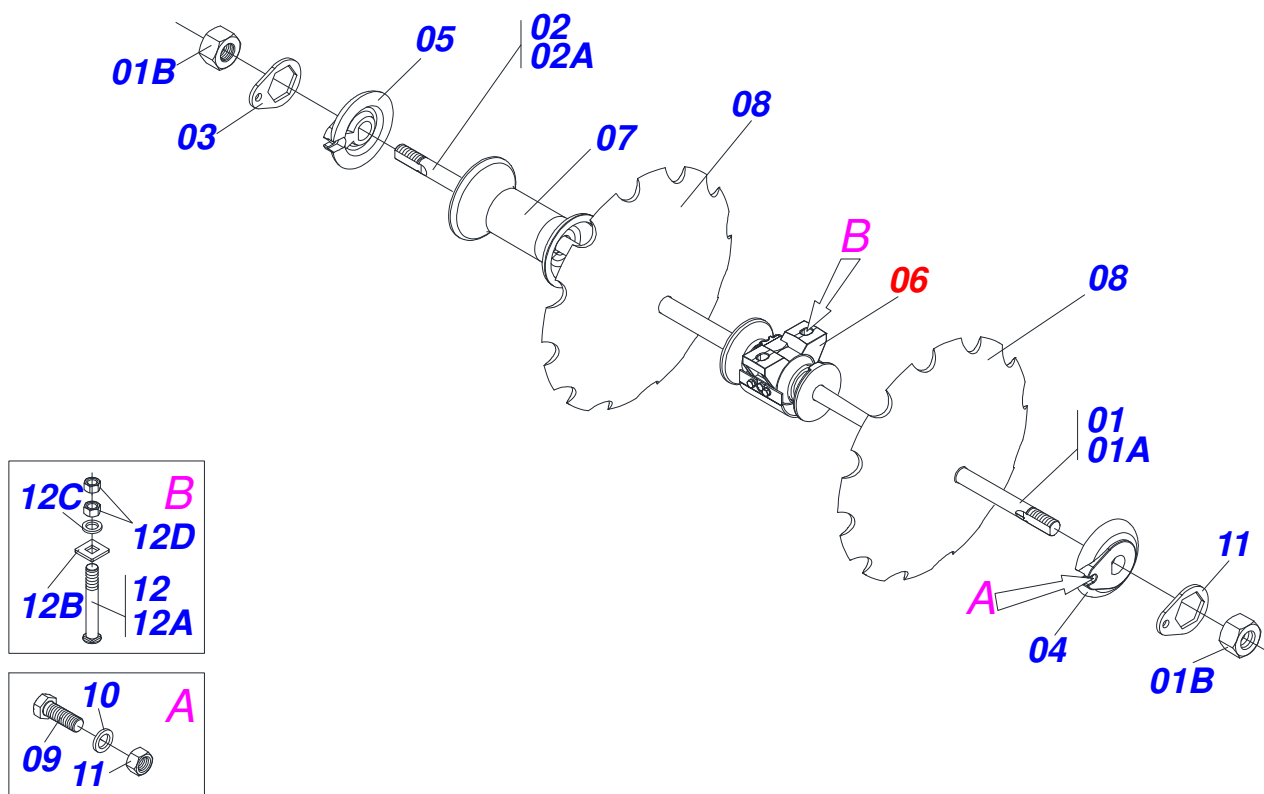
Item	Code	Description	See page	QT
001	0511061336	101,6 X 398 CYLINDER CASE		01
002	0503010817	1.1/4" SELF LOCKING NUT		01
003	0503010345	2-218 N 3006-9B O'RING		01
004	0503015636	SCRAPER SEAL		01
005	0503010338	2-342 N 3006-9B O'RING		02
006	0503011061	8-342 BACK-UP RING		02
007	0502040747	32.54 CLEVIS CLAMP		01
008	0503011094	3/8" X 2" BOLT		01
009	0503011443	3/8" SPRING WASHER		01
010	0521010422	HYDRAULIC CYLINDER TURNBUCKLE		01
011	0503030384	CON PLUG N-001		02
012	0503015633	SELEMASTER SEALING		01
013	0503010026	3/8" NUT		01
014	0581010678	50,80 X 101 RING SUPPORT		01
015	0503018025	RING GUIDE		01
016	0503018026	1870-2000-375 B GASKET		01
017	0502012822	101.60 END CAP		01
018	0502012842	50,80 X 101,60 PISTON		01
019	0511032511R	HYDRAULIC CYLINDER REPAIR KIT		01



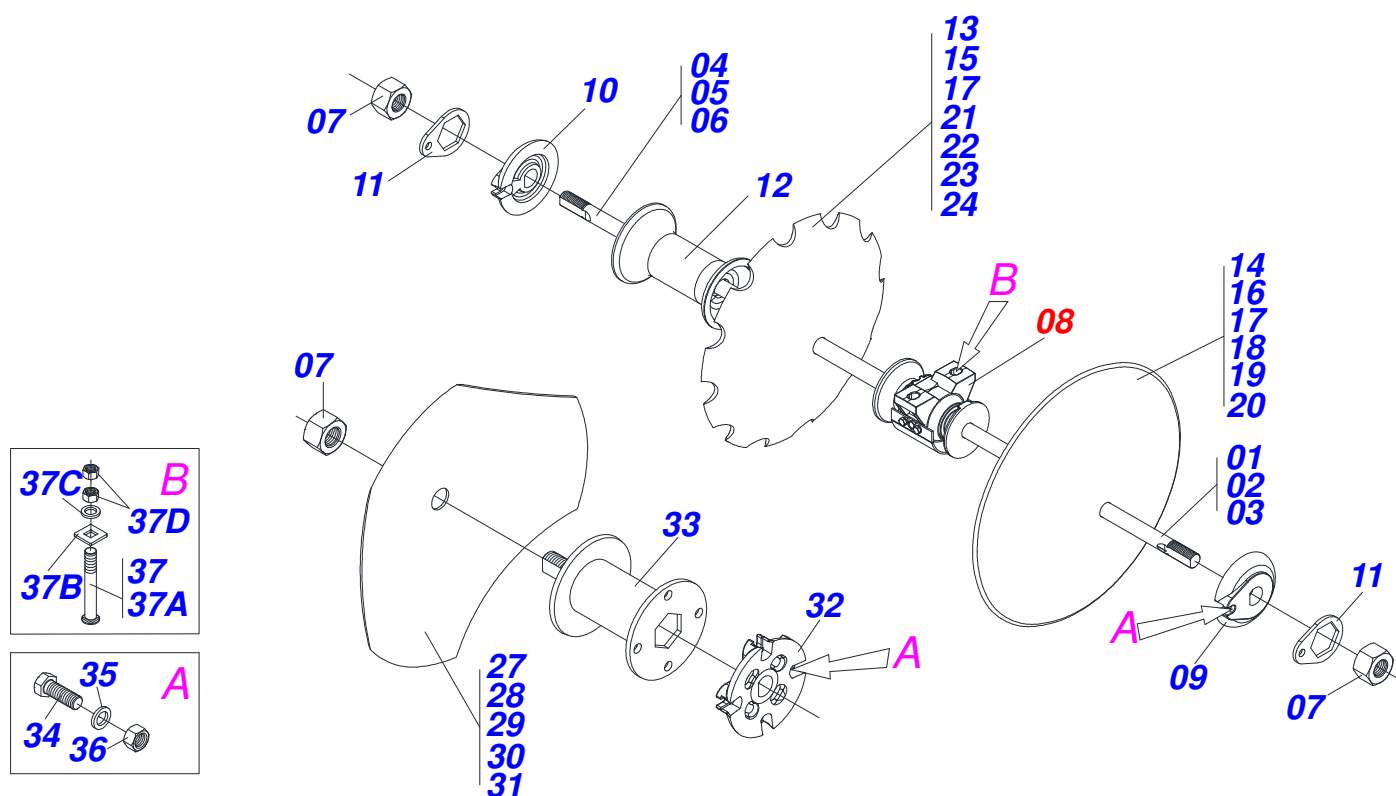
Item	Code	Description	See page	QT
00	0511041599	2" X 5" X 25.75" X 13.62" HYDR CYLINDER	8	01
01	0511064729	5" X 22" CYLINDER CASE		01
02	0511064728	2" X 23"TURNBUCLE		01
03	0502010382	5" END CAP		01
04	0502011000	2" X 5" RING SUPPORT		01
05	0503010039	D-2000 SCRAPER RING		01
06	0503010991	1870-2000-375-B GASKET		01
07	0503010952	W2-2250-500 RING		01
08	0503010351	2-425 N 3006-9B O'RING		01
09	0503011062	8-425 BACK-UP RING		01
10	0502010963	2.0" X 5.0" PISTON		01
11	0503010552	PACKING 3750-4250-625-B		02
12	0503010345	2-218 N 3006-9B O'RING		01
13	0503010974	W2-5000-500 RING		01
14	0503010817	1.1/4" SELF LOCKING NUT		01
15	0503010002	1800 GREASE FITTING		02
16	0501031961	HYDRAULIC CYLINDER REPAIR KIT		01



Item	Code	Description	See page	QT
01	0511061336	101,6 X 398 CYLINDER CASE		01
02	0521010422	HYDRAULIC CYLINDER TURNBUCKLE		01
03	0502040747	32.54 CLEVIS CLAMP		01
04	0503011094	3/8" X 2" BOLT		01
05	0503010025	3/8" SPRING WASHER		01
06	0503010026	3/8" NUT		01
07	0502010017	4" HEAD		01
08	0502010778	2" X 4.2" RING SUPPORT		01
09	0503010039	D-2000 SCRAPER RING		01
10	0503010991	1870-2000-375-B GASKET		01
11	0503010952	W2-2250-500 RING		01
12	0503011061	8-342 BACK-UP RING		01
13	0503010338	2-342 N 3006-9B O'RING		01
14	0503010345	2-218 N 3006-9B O'RING		01
15	0502010992	2.0" X 4.0" PISTON		01
16	0503010043	PACKING 3750-3250		02
17	0503010994	W2-4000-500 PK RING G.E		01
18	0503010817	1.1/4" SELF LOCKING NUT		01
19	0501031799	HYDRAULIC CYLINDER REPAIR KIT		01



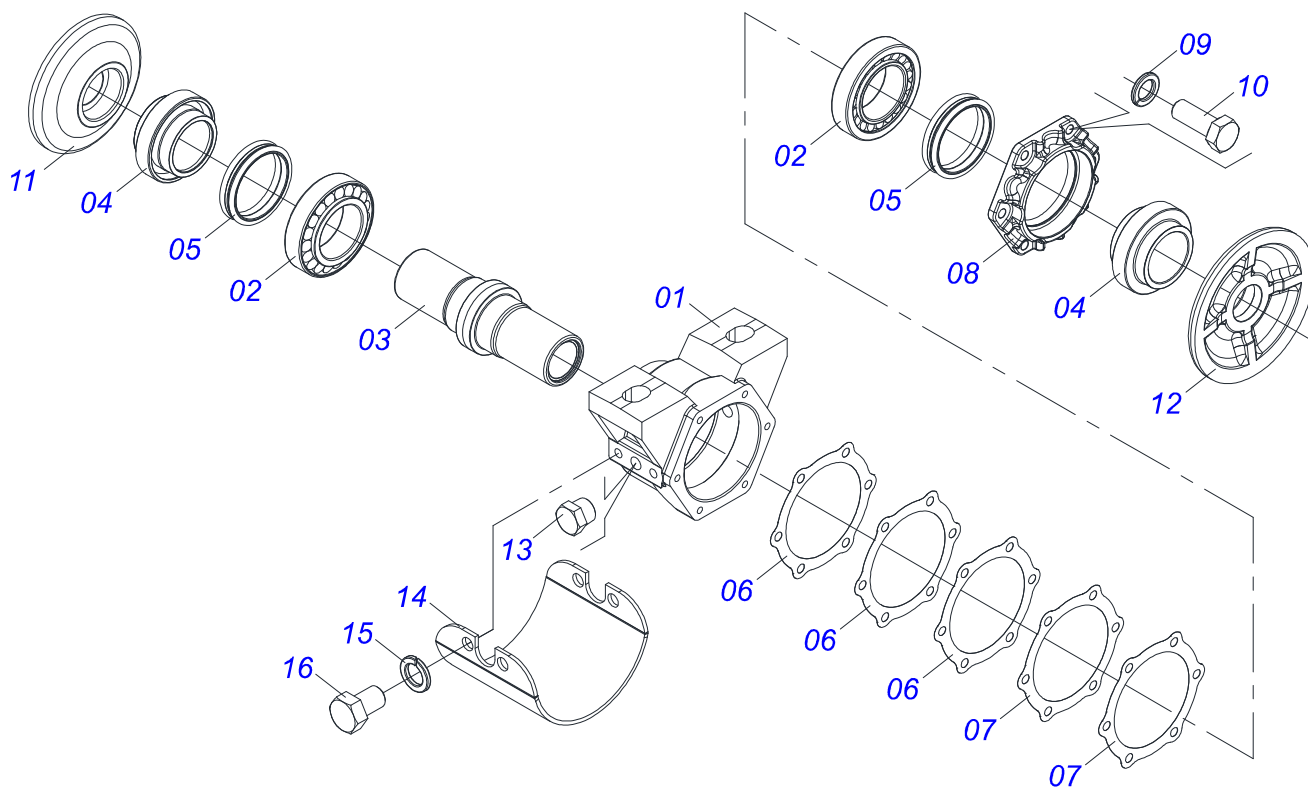
Item	Code	Description	See page	48
01	0501046856	1-5/8" X 59" AXLE WITH NUTS 2-3/4"		01
01A	0501015631	1-5/8" X 70" AXLE		01
01B	0502040640	1.5/8" 2.3/4" NUT		02
02	0501046859	1-5/8" X 70" AXLE WITH NUTS 2-3/4"		02
02A	0501019012	1-5/8" X 59" AXLE		01
03	0502012636	NUT LOCK		12
04	0502011048	1-5/8" EXTERNAL AXLE WASHER		06
05	0502011047	1-5/8" INNER AXLE WASHER		06
06	0501048457	262MM X 1.5/8" RD OIL BATH BEARING	13	12
07	0502010703	10.35" 1-5/8" SPACER		22
08	0602037006	DR28X7,5 C102AF04FR1.11/16 10R TATU		20
09	0503010232	5/8" X 1.3/4" BOLT		08
10	0503010027	5/8" SPRING WASHER		12
11	0503010013	5/8" NUT		12
12	0501041925	3/4" X 3-1/2" BOLT ASSY		32
12A	0501010950	3/4" X 3-1/2" BOLT		32
12B	0501010949	3/4" SQUARE WASHER		32
12C	0501010322	FLAT WASHER		32
12D	0503010014	3/4" NUT		64



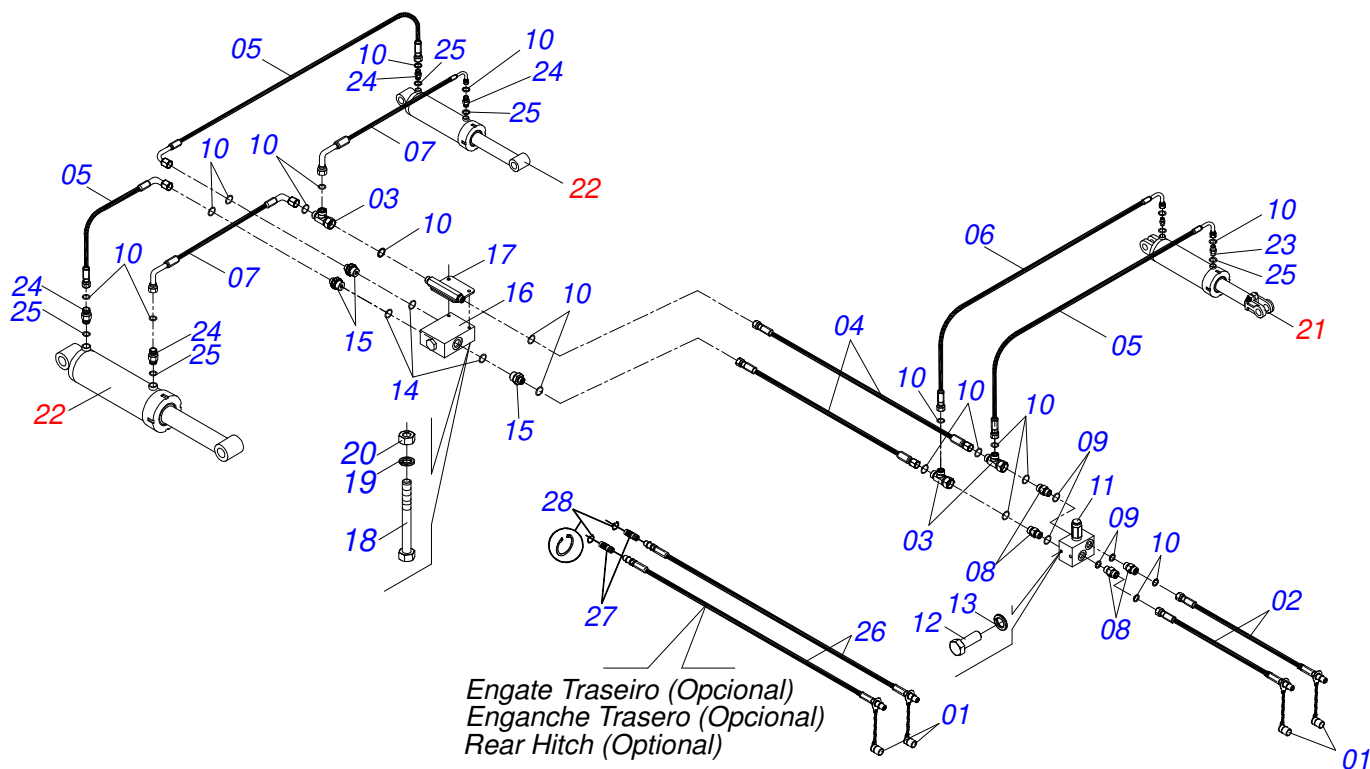
Item	Code	Description	See page	28	32	36	40LIS./REC.
01	0501046859	1-5/8" X 70" AXLE WITH NUTS 2-3/4"		04	00	00	04
02	0501046854	1-5/8" X 48" AXLE WITH NUTS 2-3/4		00	04	00	00
03	0501046856	1-5/8" X 59" AXLE WITH NUTS 2-3/4		00	02	06	02
04	0501015631	1-5/8" X 70" AXLE		04	00	00	04
05	0501019016	1-5/8 X 48" AXLE		00	04	00	00
06	0501019012	1-5/8" X 59" AXLE		00	02	06	02
07	0502040640	1.5/8" 2.3/4" NUT		08	12	12	12
08	0501048457	262MM X 1.5/8" RD OIL BATH BEARING	13	08	12	12	12
09	0502011047	1-5/8" INNER AXLE WASHER		04	06	08	06
10	0502011048	1-5/8" EXTERNAL AXLE WASHER		04	06	08	06
11	0511014339	1-5/8" 2.8" NUT LOCK		08	12	16	12
12	0502010703	10.35" 1-5/8" SPACER		16	14	18	22
13	0602037006	DR28X7,5 C102AF04FR1.11/16 10R TATU		14	16	18	38
14	0601039053	28"X 0.3" PLAIN DISC BLADE		12	14	16	18
15	0602040074	30 X 7,5 NOTCHED DISC BLADE		00	00	18	00
16	0601042040	30 X 0,3" PLAIN DISC BLADE		00	00	16	00
17	0602040133	30 X 0,3" NOTCHED DISC BLADE		00	14	00	00
18	0601042070	30 X 0,3" PLAIN DISC BLADE		00	16	00	00
19	0601033065	DL26X7,5 C90AF04FR1.11/16 TATU		01	01	00	00
20	0601030096	24 X 0,3" PLAIN DISC BLADE		01	01	00	00
21	0602029301	22" X 0.2" NOTCHED DISC BLADE		01	01	01	01
22	0602037242	28 X 02" NOTCHED DISC BLADE		00	01	00	00
23	0602033294	26 X 0,2" NOTCHED DISC BLADE		00	01	00	00
24	0602030359	24 X 0,2" NOTCHED DISC BLADE		00	01	00	00
25	0601039053	28"X 0.3" PLAIN DISC BLADE		00	00	01	00
26	0601033065	DL26X7,5 C90AF04FR1.11/16 TATU		00	00	01	00
27	0602030359	24 X 0,2" NOTCHED DISC BLADE		00	00	01	00
28	0602033005	26" X 0.2" NOTCHED DISC BLADE		00	29	01	01
29	0602030005	24" X 0.2" NOTCHED DISC BLADE		00	01	00	00
30	0602029238	22 X 0,2" NOTCHED DISC BLADE		00	01	00	00
31	0602027279	20" X 0.3" NOTCHED DISC BLADE		00	01	00	00



Item	Code	Description	See page	28	32	36	40	LIS./REC.
32	0502012377	1-5/8" EXTERNAL AXLE LOK		01	01	01	01	
33	0511067146	10.35" AXLE 1-5/8" SPACER		01	01	01	01	
34	0503010232	5/8" X 1.3/4" BOLT		24	36	36	36	
35	0503010027	5/8" SPRING WASHER		24	36	36	36	
36	0503012412	5/8 UNC SELF LOCKING NUT		24	36	36	36	
37	0501041925	3/4" X 3-1/2" BOLT ASSY		16	24	24	24	
37A	0501010950	3/4" X 3-1/2" BOLT		16	24	24	24	
37B	0501010949	3/4" SQUARE WASHER		16	24	24	24	
37C	0501010322	FLAT WASHER		16	24	24	24	
37D	0503010014	3/4" NUT		16	24	24	24	



Item	Code	Description	See page	QT
01	0502020636	8.8" X 1-5/8" OIL HOUSING BEARING		01
02	0503013496	3982/3920 ROLLER BEARING		02
03	0502010740	AXLE TK		01
04	0502010736	SEAL RETAINER		02
05	0503030027	DUO-CONE SEAL		02
06	0503030030	5.6" X 4.4" X 0.01" GASKET		03
07	0503030685	5.5" X 4.4" X 0.003" GASKET		02
08	0502020161	WEAR PLATE BEARING		01
09	0503011443	3/8" SPRING WASHER		06
10	0503010237	3/8" X 1" BOLT		06
11	0502040240	INNER FLANGE		01
12	0502040239	OUTER FLANGE		01
13	0503010856	OIL PLUG		02
14	0521012933	BEARING WEAR PLATE		01
15	0503010019	1/2" SPRING WASHER		04
16	0503011401	1/2" X 3/4" BOLT		04



Item	Code	Description	See page	QT
01	0501053834	MALE QUICK COUPLER WITH CAP - 1/2 NPT		02
02	0501080917	1/2" X 5500 TR-TM HOSE ASSY		02
03	0503013637	T 1/2" MALE ADAPTER		03
04	0501081708	1/2" X 2300 TR-TR OFS HOSE		02
05	0501081115	1/2" X 1330 TC-TR HOSE ASSY		03
06	0501081707	1/2" X 1000 TC-TR OFS HOSE		01
07	0501081116	1/2 X 1630 TC-TC HOSE ASSY		02
08	0503030923	3/4" UNF X 13/16UN OFS X 40 NIPPLE		04
09	0503010190	2-114 N 3006-9B O'RING		06
10	0503011030	2-014 N 3006-9B O'RING		21
11	0503010919	DISCHARGE VALVE		01
12	0503010237	3/8" X 1" BOLT		02
13	0503010025	3/8" SPRING WASHER		02
14	0503011109	2-119 N 3006-9B O'RING		02
15	0571010736	NIPPLE R1.1/16 UN X 13/16UN OFS		03
16	0503016227	FLOW DIVIDING VALVE		01
17	0521062967	OIL TUBE DISTRIBUTOR		01
18	0503011053	5/16" X 3" C S 6.5 ZN BOLT		02
19	0503010179	5/16" ZN SPRING WASHER		02
20	0503010337	5/16" NUT		02
21	0511058419	HYDRAULIC CYLINDER 50,80 X 101,60 X 514 X 206	7	01
22	0521051832	HYDRAULIC CYLINDER	6	02
23	0503032031	3/4" UNF REDUCTION NIPPLE		02
24	0503030923	3/4" UNF X 13/16UN OFS X 40 NIPPLE		04
25	0503010190	2-114 N 3006-9B O'RING		06
26	0501081766	1/2 X 9600 TM-TM HOSE ASSY		02
27	0503010217	501040 CLAMPING RING (FOR AXLE)		04
28	0501053835	FEMALE QUICK COUPLER		02



ANNOTATION

A series of horizontal lines spanning the width of the page, designed for taking notes or annotations. The lines are evenly spaced and extend across most of the page's width.





www.marchesan.com.br



Technical Publications | Elaboration and Revision
LUIZ CANDIDO