

PARTS CATALOG

FRONT LOADER

PD JD 7515 BT/SHT SC

Code: 0501091106



Series: S-0311

Review: SETEMBRO - 2014

**ORIGINAL PARTS
TATU**

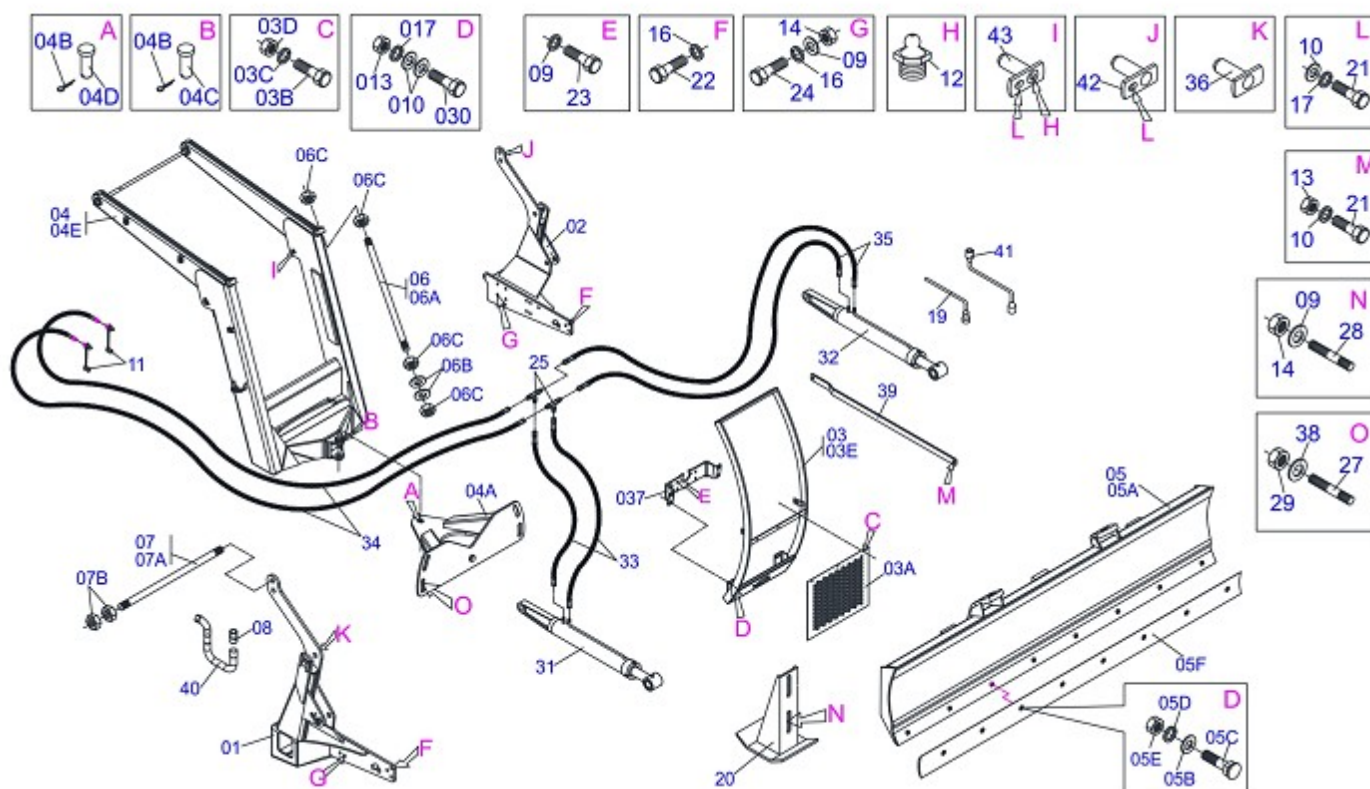


INDEX

0106120037	PD JD 7515 BT SC GAL S-0111	1
0106120036	PD JD 7515 SHT CD GBA S-0111	2
0501040161	RIGHT HYDRAULIC CYLINDER	3
0501040162	LEFT HYDRAULIC CYLINDER	4

ATTENTION: IMPORTANT

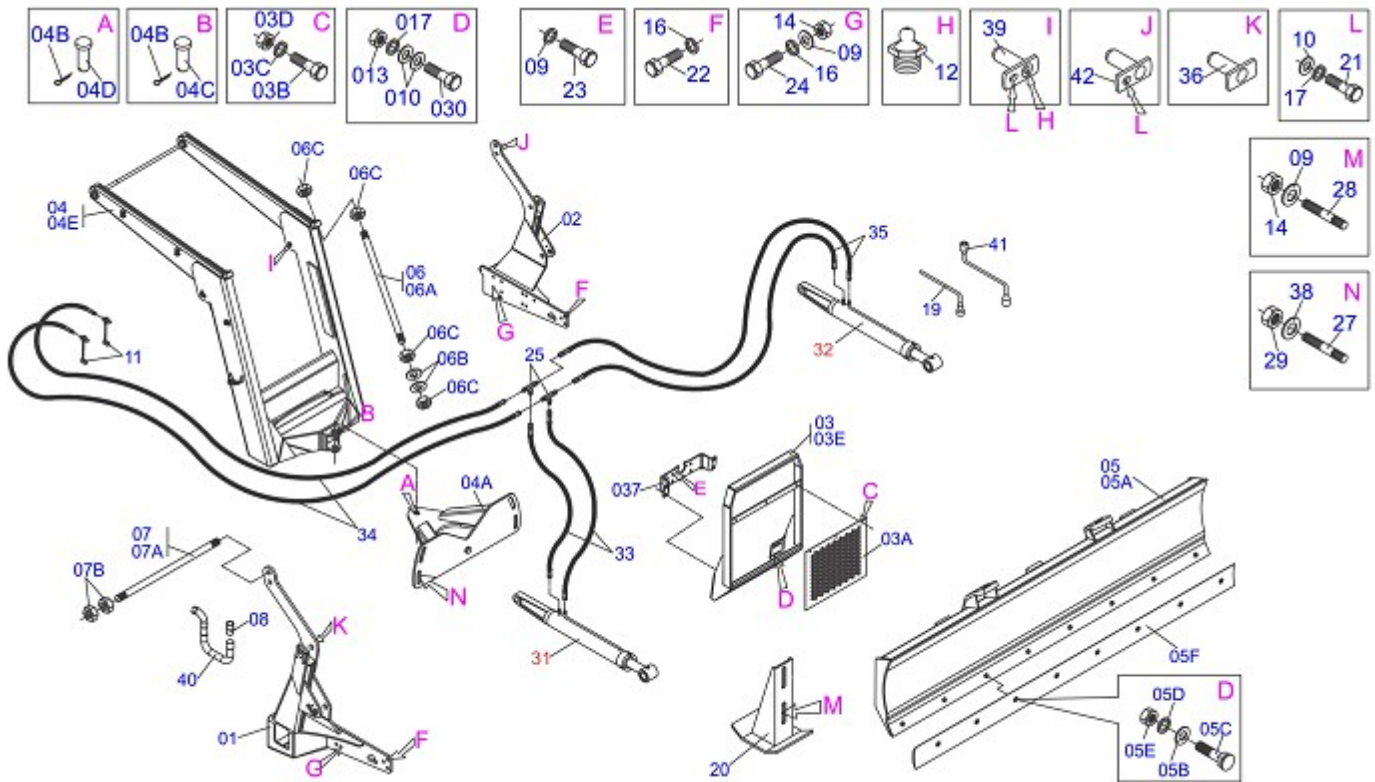
MARCHESAN RESERVES THE RIGHT AT ANY TIME TO MAKE IMPROVEMENTS IN THE DESIGN, MATERIAL OR SPECIFICATIONS OF MACHINERY, EQUIPMENT OR PARTS WITHOUT THEREBY BECOMING LIABLE TO MAKE SIMILAR CHANGES IN MACHINERY, EQUIPMENT OR PARTS PREVIOUSLY SOLD.



Item	Code	Description	QT
001	0511067322	RIGHT FRAME	01
002	0511067323	LEFT FRAME	01
003	0501044502		01
003A	0501014687	FRONT PROTECTION	001
003B	0501810080		003
003C	0501810984	FLAT WASHER	003
003D	0503810026	3/8" NUT	003
003E	0521064583		001
004	0501044501		01
004A	0501062637	5/8" REGULATOR SUPPORT	001
004B	0503010010	1/4" X 2.1/2" COTTERPIN	002
004C	0521010612	1.4" X 3.5" COUPLING SHAFT	001
004D	0521010618	1.4" X 8.6" COUPLING SHAFT	001
004E	0521063349		001
005	0501047710	2600MM BLADE SUPPORT ASSY	01
005A	0501068001	2590MM BLADE SUPPORT ASSY	001
005B	0501812140	FLAT WASHER	008
005C	0501812240		008
005D	0503011445	5/8" SPRING WASHER	008
005E	0503810013	5/8" NUT	008
005F	0622360011	2600 SCRAPER REVERSIBLE	001
006	0501041427	1.1/4" NC X 1540 ROD	002
006A	0501014250	1.1/4" X 1540 ROD	001
006B	0502012180	CONICAL SPRING WASHER	002
006C	0501810087	1.1/4" UNC NUT	004
007	0501043212	ROD 1.1/4" NC X 3.818" ASSY	001
007A	0501014915	ROD 1.1/4" NC X 3.818"	001
007B	0501810087	1.1/4" UNC NUT	004
008	0571014730		001
009	0501010322	FLAT WASHER	024
010	0501012140	FLAT WASHER	014
011	0501053834	QUICK CONECTION (MALE) 1/2NPT	002
012	0503010002	GREASE FITTING	006



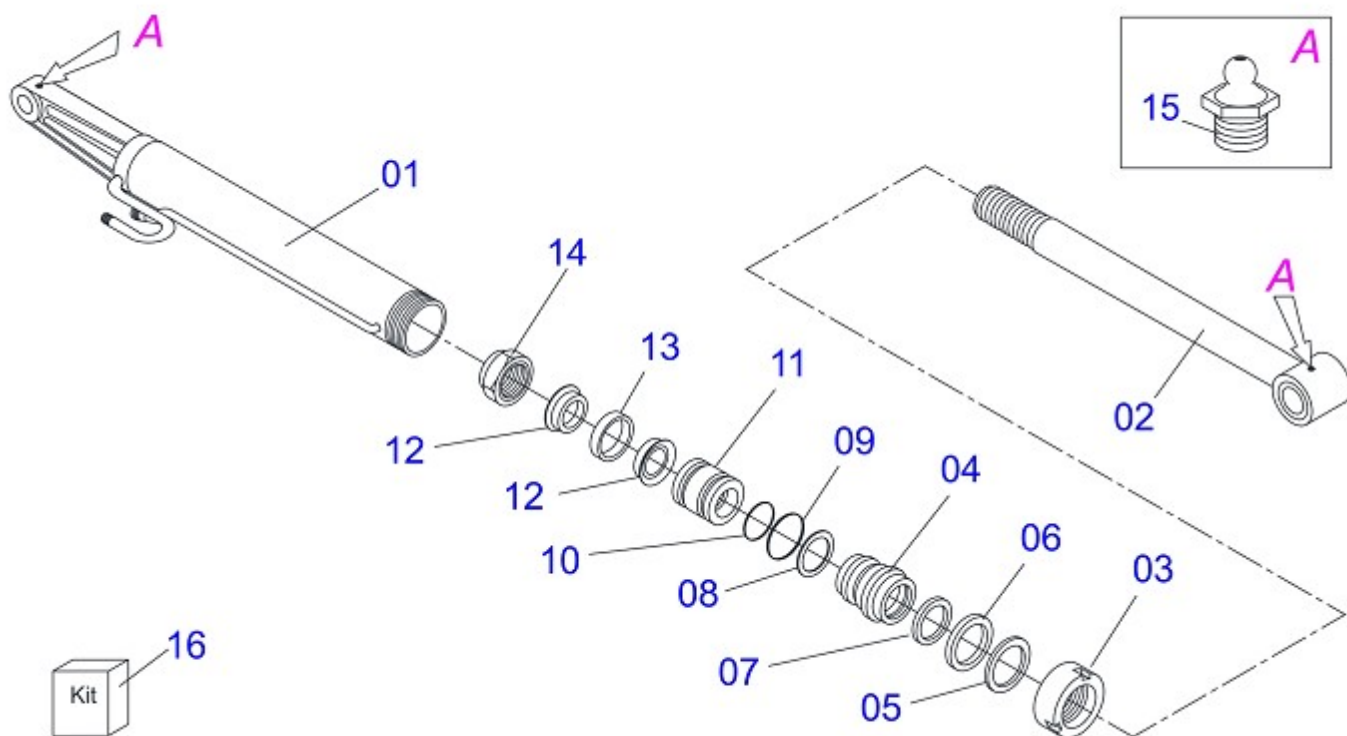
Item	Code	Description	QT
013	0503010013	5/8" NUT	008
014	0503010014	3/4" NUT	024
015	0503010019	1/2" SPRING WASHER	006
016	0503010023	3/4" SPRING WASHER	030
017	0503010027	5/8" SPRING WASHER	016
018	0503010534	3/8" X 2-1/2" COTTERPIN	002
019	0501061617	1" WRENCH CYLINDRICAL HEX	001
020	0501063411	ESTABILIZER BRACKET	002
021	0503010962	5/8" X 1-1/4" BOLT	006
022	0503013103	M20 X 3.5" BOLT	006
023	0503013110	M20 X 2" BOLT	004
024	0503013390	3/4" UNC BOLT	020
025	0503013493	T CONNECTION MALE	002
026	0511017302	FLAT WASHER	004
027	0561016755	PRISONER 1 UNC X 1 UNC X 76 ZN	004
028	0561016756	3/4 UNC X 3/4 UNC X 56 PRISONER	004
029	0501010059	1" NUT HEX	004
030	0501010100	5/8" X 2" BOLT	008
031	0501040161	RIGHT HYDRAULIC CYLINDER	001
032	0501040162	LEFT HYDRAULIC CYLINDER	001
033	0501080103	1/2" X 47" TR-TR HOSE ASSY	002
034	0501080245		002
035	0501080267		002
036	0521063355	COUPLING SHAFT	002
037	0521064716		001
038	0501010574	FLAT WASHER	004
039	0541019767		002
040	0503032722		001
041	0501068213	5/8" WRENCH DOUBLE	001
042	0501063959	PIVOT SHAFT	002
043	0501063751	1.5" X 5.5" PIVOT SHAFT	002



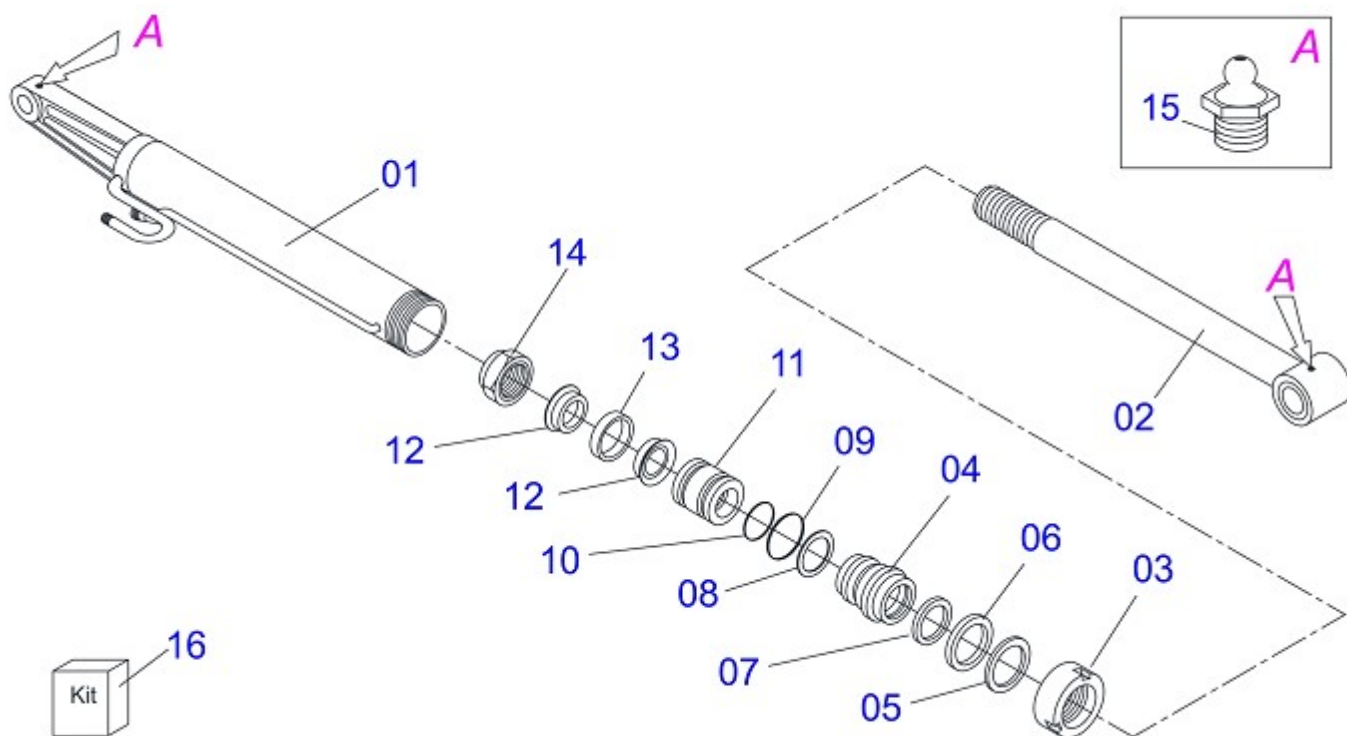
Item	Code	Description	QT
001	0511068002	RIGHT FRAME	01
002	0511067323	LEFT FRAME	01
003	0511046387		01
003A	0501014686	FRONT PROTECTION	001
003B	0501010080	3/8" X 1-1/2" BOLT	003
003C	0501010984	FLAT WASHER	003
003D	0503010026	3/8" NUT	003
003E	0521064583		001
004	0501044501		001
004A	0501062637	5/8" REGULATOR SUPPORT	001
004B	0503010010	1/4" X 2.1/2" COTTERPIN	002
004C	0521010612	1.4" X 3.5" COUPLING SHAFT	001
004D	0521010618	1.4" X 8.6" COUPLING SHAFT	001
004E	0521063349		001
005	0501047710	2600MM BLADE SUPPORT ASSY	01
005A	0501068001	2590MM BLADE SUPPORT ASSY	001
005B	0501012140	FLAT WASHER	008
005C	0501812240		008
005D	0503011445	5/8" SPRING WASHER	008
005E	0503010013	5/8" NUT	008
005F	0622360011	2600 SCRAPER REVERSIBLE	001
006	0501041427	1.1/4" NC X 1540 ROD	002
006A.	0501014250	1.1/4" X 1540 ROD	001
006B.	0502012180	CONICAL SPRING WASHER	001
006C.	0501010087	1.1/4" UNC NUT	004
007	0501043212	ROD 1.1/4" NC X 3.818" ASSY	001
007A	0501014915	ROD 1.1/4" NC X 3.818"	001
007B	0501010087	1.1/4" UNC NUT	004
008	0571014730		001
009	0501010322	FLAT WASHER	024
010	0501012140	FLAT WASHER	014
011	0501053834	QUICK CONECTION (MALE) 1/2NPT	006
012	0503010002	GREASE FITTING	006



Item	Code	Description	QT
013	0503010013	5/8" NUT	008
014	0503010014	3/4" NUT	024
015	0503010019	1/2" SPRING WASHER	006
016	0503010023	3/4" SPRING WASHER	030
017	0503010027	5/8" SPRING WASHER	016
018	0503010534	3/8" X 2-1/2" COTTERPIN	002
019	0501061617	1" WRENCH CYLINDRICAL HEX	001
020	0501063411	ESTABILIZER BRACKET	002
021	0503010962	5/8" X 1-1/4" BOLT	006
022	0503013103	M20 X 3.5" BOLT	006
023	0503013110	M20 X 2" BOLT	004
024	0503013390	3/4" UNC BOLT	020
025	0503013493	T CONNECTION MALE	002
026	0511017302	FLAT WASHER	004
027	0561016755	PRISONER 1 UNC X 1 UNC X 76 ZN	004
028	0561016756	3/4 UNC X 3/4 UNC X 56 PRISONER	004
029	0501010059	1" NUT HEX	004
030	0501010100	5/8" X 2" BOLT	008
031	0501040161	RIGHT HYDRAULIC CYLINDER	001
032	0501040162	LEFT HYDRAULIC CYLINDER	001
033	0501080103	1/2" X 47" TR-TR HOSE ASSY	002
034	0501080245		002
035	0501080267		002
036	0521063355	COUPLING SHAFT	002
037	0521064716		001
038	0501010574	FLAT WASHER	004
039	0501063751	1.5" X 5.5" PIVOT SHAFT	002
040	0503032722		001
041	0501068213	5/8" WRENCH DOUBLE	001
042	0501063959	PIVOT SHAFT	002



Item	Code	Description	QT
001	0501068966	HYDRAULIC CYLINDER TURNBUCKLE	01
002	0501069002	101,6" X 472 "BODY RIGHT	01
003	0502010017	4" HEAD	01
004	0502010778	2" X 4.2" RING SUPPORT	01
005	0502010992	2.0" X 4.0" PISTON	01
006	0503010002	GREASE FITTING	02
007	0503010039	D-2000 SCRAPER RING	01
008	0503010043	PACKING 3750-3250	02
009	0503010338	2-342 N 3006-9B O-RING	01
010	0503010345	2-218 N 3006-9B O-RING	01
011	0503010817	1.1/4" UNF SELF ADJUSTING NUT	01
012	0503010952	W2-2250-500 PK RING G.E	01
013	0503010991	PACKING 1870-2000-375-B	01
014	0503010994	W2-4000-500 PK RING G.E	01
015	0503011061	8-342 BACK-UP RING	01
016	0501031799	HYDRAULIC CYLINDER REPAIR KIT	01



Item	Code	Description	QT
001	0501069003	101,6" X 472" BODY LEFT	01
002	0501068966	HYDRAULIC CYLINDER TURNBUCKLE	01
003	0502010017	4" HEAD	01
004	0502010778	2" X 4.2" RING SUPPORT	01
005	0503010039	D-2000 SCRAPER RING	01
006	0503010991	PACKING 1870-2000-375-B	01
007	0503010952	W2-2250-500 PK RING G.E	01
008	0503011061	8-342 BACK-UP RING	01
009	0503010338	2-342 N 3006-9B O'RING	01
010	0503010345	2-218 N 3006-9B O'RING	01
011	0502010992	2.0" X 4.0" PISTON	01
012	0503010043	PACKING 3750-3250	01
013	0503010994	W2-4000-500 PK RING G.E	01
014	0503010817	1.1/4" UNF SELF ADJUSTING NUT	01
015	0503010002	GREASE FITTING	02
016	0501031799	HYDRAULIC CYLINDER REPAIR KIT	02



MARCHESAN IMPLEMENTOS E MÁQUINAS AGRÍCOLAS TATU S.A.
AV. Marchesan, 1979 - Post office box, 131 - CEP 15994-900 - Matão - SP - Brazil
Phone +55 16.3382-8282
(FAX Parts) + 55 16.3382. 8297 - (Export) + 55 16.3382.1003
e.mail: tatu@marchesan.com.br www.marchesan.com.br

Drafting and Illustration = GASPARI
e.mail = jgaspari@marchesan.com.br

**ORIGINAL PARTS
TATU**

