

OFFSET DISK HARROW

GAICR 12/14/16/18/20/22/24D

Code: 0501091105
Series: S-0791
Revision: 00
Date Revision: AGOSTO/2021

PARTS CATALOGUE



MARCHESAN



PRODUCTS

Code	Description
0102260535	GAICR 12 X 26 X 6,00 CM S-0791
0102260278	GAICR 12 X 26 X 6,00 DM S-0791
0102260278C	GAICR 12 X 26 X 6,00 DM EXP S-0791
0102260508	GAICR 12 X 28 X 6,00 CM S-0791
0102260243	GAICR 12 X 28 X 6,00 DM S-0791
0102260122	GAICR 12 X 28 X 7,50 DM S-0791
0102260065	GAICR 14 X 26 X 6,00 CM S-0791
0102260065C	GAICR 14 X 26 X 6,00 CM EXP S-0791
0102260306C	GAICR 14 X 26 X 6,00 DM ZA EXP S-0791
0102260306	GAICR 14 X 26 X 6,00 DM ZA S-0791
0102260083	GAICR 14 X 26 X 6,00 DR DM S-0791
0102260083C	GAICR 14 X 26 X 6,00 DR DM EXP S-0791
0102260110	GAICR 14 X 28 X 6,00 CM S-0791
0102260116	GAICR 14 X 28 X 6,00 DM S-0791
0102260066	GAICR 14 X 28 X 7,50 CM S-0791
0102260277	GAICR 14 X 28 X 7,50 DM C/PROT
0102260084	GAICR 14 X 28 X 7,50 DM DR S-0791
0102260431	GAICR 16 X 24 X 4,75 DM S-0791
0102260067	GAICR 16 X 26 X 6,00 CM S-0791
0102260067C	GAICR 16 X 26 X 6,00 CM EXP S-0791
0102260085	GAICR 16 X 26 X 6,00 DM S-0791
0102260247	GAICR 16 X 26 X 6,00 DM AUST S-0791
0102260085C	GAICR 16 X 26 X 6,00 DM DR EXP S-0791
0102260030	GAICR 16 X 26 X 6,00 DM DRC S-0791
0102260117C	GAICR 16 X 28 X 6,0 DM EXP S-0791
0102260111	GAICR 16 X 28 X 6,00 CM S-0791
0102260117	GAICR 16 X 28 X 6,00 DM S-0791
0102260513	GAICR 16 X 28 X 6,00 DM S/PNEU S791
0102260068	GAICR 16 X 28 X 7,50 CM S-0791
0102260086	GAICR 16 X 28 X 7,50 DM S-0791

ATTENTION: IMPORTANT

Marchesan S.A. reserves the right to improve and / or modify the technical features of its products, without obligation to do the same with those products already sold and without prior knowledge of the dealer or the consumer.



PRODUCTS

0102260086C	GAICR 16 X 28 X 7,50 DM EXP S-0791
0102260128C	GAICR 18 X 26 X 6,00 DM DR SA S-0791
0102260069	GAICR 18 X 26 X 6,00 CM S-0791
0102260128	GAICR 18 X 26 X 6,00 DM SA
0102260248	GAICR 18 X 26 X 6,00 DM AUST S-0791
0102260087C	GAICR 18 X 26 X 6,00 DM EXP S-0791
0102260087	GAICR 18 X 26 X 6,00 DR DM S-0791
0102260112	GAICR 18 X 28 X 6,00 CM S-0791
0102260112C	GAICR 18 X 28 X 6,00 CM EXP S-0791
0102260118C	GAICR 18 X 28 X 6,00 DM EXP S-0791
0102260498C	GAICR 18 X 28 X 6,00 DM SA EXP S-0791
0102260498	GAICR 18 X 28 X 6,00 DM SA S-0791
0102260118	GAICR 18 X 28 X 6,00 DM S-0791
0102260687	GAICR 18 X 28 X 6,00 DM PN11L15 S-0791
0102260070	GAICR 18 X 28 X 7,50 CM S-0791
0102260088C	GAICR 18 X 28 X 7,50 DM EXP S-0791
0102260499C	GAICR 18 X 28 X 7,50 DM SA EXP S-0791
0102260499	GAICR 18 X 28 X 7,50 DM SA S-0791
0102260088	GAICR 18 X 28 X 7,50 DM S-0791
0102260507	GAICR 18 X 28 X 7,50 DM C/LIMP PA
0102260468	GAICR 18 X 28 X 7,50 S/DISCO/MANCAL
0102260536	GAICR 18X28X7,50 DM C/PROT S-791
0102260071	GAICR 20 X 26 X 6,00 CM S-0791
0102260089	GAICR 20 X 26 X 6,00 DM S-0791
0102260089C	GAICR 20 X 26 X 6,00 DM EXP S-0791
0102260425	GAICR 20 X 26 X 6,00 DM C/P S-0791
0102260516	GAICR 20 X 26 X 7,50 DM C/P DR AUST
0102260113	GAICR 20 X 28 X 6,00 CM S-0791
0102260119C	GAICR 20 X 28 X 6,00 DM EXP S-0791
0102260119	GAICR 20 X 28 X 6,00 DM S-0791
0102260090C	GAICR 20 X 28 X 7,50 DM EXP S-0791

ATTENTION: IMPORTANT

Marchesan S.A. reserves the right to improve and / or modify the technical features of its products, without obligation to do the same with those products already sold and without prior knowledge of the dealer or the consumer.



PRODUCTS

0102260072	GAICR 20 X 28 X 7,50 CM	S-0791
0102260090	GAICR 20 X 28 X 7,50 DM	S-0791
0102260257C	GAICR 20 X 28 X 7,50 DM	C/P SA EXP
0102260387	GAICR 20 X 28 X 7,50 DM	PN11L15 S-0791
0102260257	GAICR 20 X 28 X 7,50 DM	C/P SA
0102260359	GAICR 22 X 28 X 6,00 CM	S-0791
0102260166C	GAICR 22 X 28 X 6,00 DM	EXP S-0791
0102260166	GAICR 22 X 28 X 6,00 DM	S-0791
0102260360	GAICR 22 X 28 X 7,50 CM	S-0791
0102260249C	GAICR 22 X 28 X 7,50 DM	EXP S-0791
0102260249	GAICR 22 X 28 X 7,50 DM	S-0791
0102260417	GAICR 24 SEM DISCOS DM	S-0791
0102260546	GAICR 24 X 26 X 6,0 DM	C/PNEU 11L15
0102260073	GAICR 24 X 26 X 6,00 CM	S-0791
0102260091	GAICR 24 X 26 X 6,00 DM	S-0791
0102260523	GAICR 24 X 26 X 7,50 DM	C/P S-0791
0102260114	GAICR 24 X 28 X 6,00 CM	S-0791
0102260120C	GAICR 24 X 28 X 6,00 DM	EXP S-0791
0102260120	GAICR 24 X 28 X 6,00 DM	S-0791
0102262403	GAICR 24 X 28 X 7,5 DM	C/PN 11L15 S-0791
0102260074	GAICR 24 X 28 X 7,50 CM	S-0791
0102260092	GAICR 24 X 28 X 7,50 DM	S-0791
0102260092C	GAICR 24 X 28 X 7,50 DM	EXP S-0791
0102260258	GAICR 24 X 28 X 7,50 DM	C/P SA
0102260361	GAICR 24 X 28 X 7,50 DM	C/P INCOMPI
0102260445C	GAICR 24 X 28 X 7,50 DM	C/P PN11L15 SA EXP
0102260408	GAICR 24 X 28 X 7,50 DM	DL S-0791
0102260453	GAICR 24 X 28 X 7,50 DM	S/RODA S791
0102260272	GAICR 24 X 28X7,5 DM	C/P AUST S0791
0102260445	GAICR 24X28X7,50 DM	C/P PN11L15 SA

ATTENTION: IMPORTANT

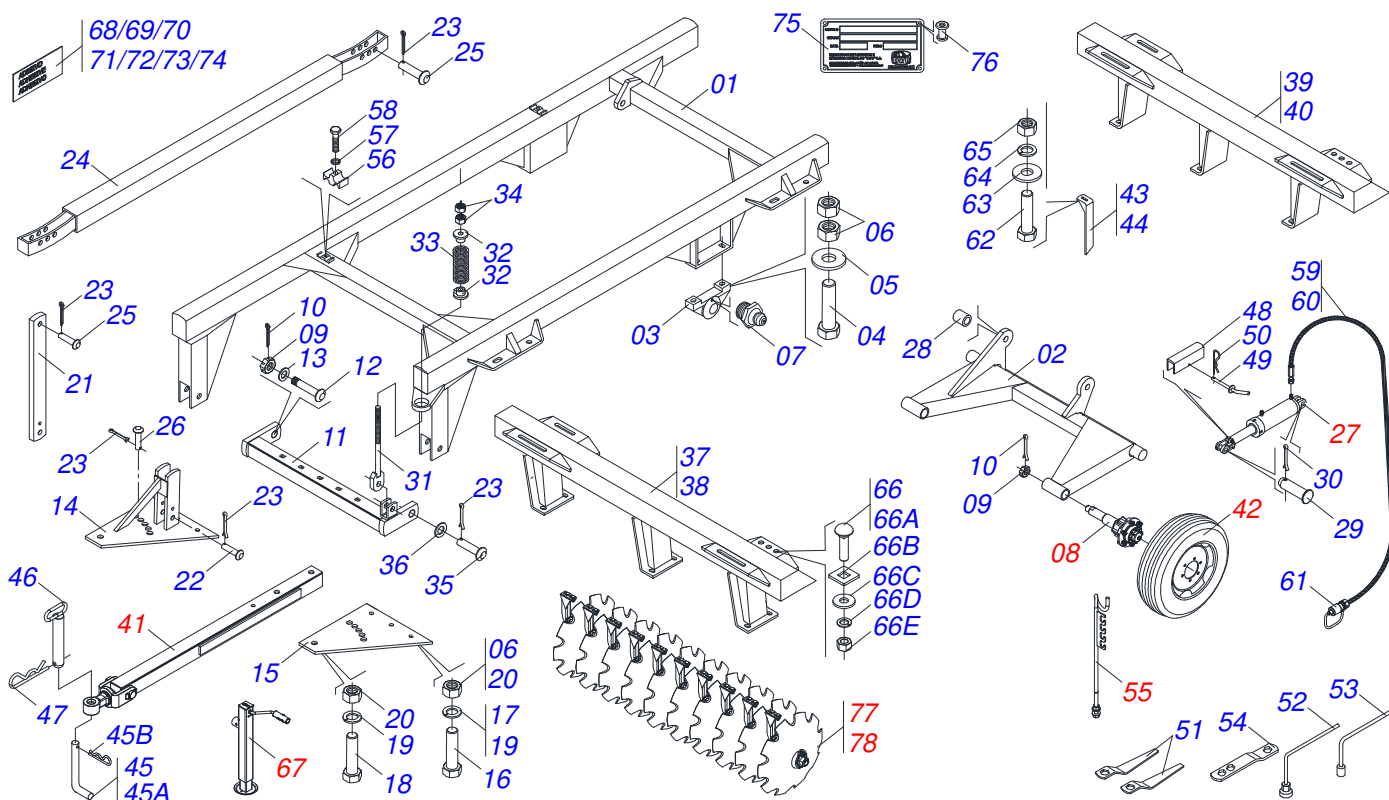
Marchesan S.A. reserves the right to improve and / or modify the technical features of its products, without obligation to do the same with those products already sold and without prior knowledge of the dealer or the consumer.



MARCHESAN

INDEX

0909091709	FRAME ASSY 12/14/16/18/20/22/24D	1
0511058298	HYDRAULIC CYLINDER	2
0511059180	HYDRAULIC CYLINDER	3
0501041096	DRAWBAR ASSY	4
0521048502	ASSY TRACTION BAR	5
0521057520	HITCH ASSY	6
0503062157	HEADER JACK	7
0501051634	TSTUB SHAFT & HUB ASSY	8
0501051142	CARRYING WHEEL HUB	9
0503060094	WHEEL AND TIRE ASSY	10
0503060091	L29.5"X0.63"-10L WHEEL AND	11
0501040257	3/4 X 1200 HOSE HOLDER A	12
0909091712	GANG DISCS FRONT - 12/14/16/18/20/22/24D	13
0909091713	REAR GANG DISC - 12/14/16/18/20/22/24D	14
0501046925	262 X 1-5/8" OIL BATH BRG ASSY,FG	15
0501046916	262 X 1-5/8" GRESABLE BRG ASSY,FG	16
0501048457	262MM X 1.5/8" RD OIL BATH BEARING	17
0501110856	ARTICULACION BEARING	18
0501043202	262 X 1-5/8" OIL BATH BRG ASSY,RG	19



Item	Code	Description	See page	12	14	16	18	20	22	24
01	0511066917	FRAME 12 TO 16		01	01	00	00	00	00	00
01.	0501065574	FRAME		00	00	01	01	00	00	00
01..	0501064754	FRAME		00	00	00	00	01	01	01
02	0501066950	CARRYING-WHEELS		01	01	00	00	00	00	00
02.	0501065518	CARRYING-WHEELS		00	00	01	01	01	01	01
03	0502010006	ARTICULACION BEARING		01	01	01	01	01	01	01
04	0503010797	3/4" X 4" BOLT		04	04	04	04	04	04	04
05	0501010322	FLAT WASHER		04	04	04	04	04	04	04
06	0503010014	3/4" NUT		11	11	11	11	11	11	11
07	0503010002	1800 GREASE FITTING		02	04	04	04	04	04	04
08	0501051634	TSTUB SHAFT & HUB ASSY	8	02	02	02	02	02	02	02
09	0501011301	1.1/2 UNC 6FPP 2.5/16 NUT		04	04	04	04	04	04	04
10	0503010010	1/4" X 2.1/2" COTTERPIN		04	04	04	04	04	04	04
11	0501060370	OFFSET BAR		01	01	00	00	00	00	00
11.	0501066262	OFFSET BAR		00	00	01	01	01	01	01
12	0521017538	11-1/2" X 5" COUPLING SHAFT		02	02	02	02	02	02	02
13	0511019880	FLAT WASHER		02	02	02	02	02	02	02
14	0501066099	UPPER PLATE WITH SUPPORT		01	01	00	00	00	00	00
14.	0501066235	UPPER PLATE WITH SUPPORT		00	00	01	01	01	01	01
15	0501010241	UPPER /LOWER PLATE		01	01	00	00	00	00	00
15.	0511013000	UPPER /LOWER PLATE		00	00	01	01	01	01	01
16	0503011198	C3/4" X 6" SCREW		03	03	00	00	00	00	00
16.	0501010334	1" X 7" BOLT		00	00	04	04	04	04	04
17	0503011442	3/4" SPRING WASHER		03	03	00	00	00	00	00
18	0501010060	1" X 6-1/2" BOLT		01	01	00	00	00	00	00
19	0503011438	SPRING WASHER		01	01	05	05	05	05	05
20	0501010059	1.5/8 NUT		01	01	05	05	05	05	05
21	0511012972	TSTABILIZER BAR TOWER		01	01	01	01	01	01	01
22	0521010576	0.9" X 3.7" COUPLING SHAFT		01	01	01	01	01	01	01
23	0503010571	1/4" X 1.1/2 COTTERPIN		05	05	05	05	05	05	05
24	0511066932	CSTABILIZER BARCOTTERPIN		01	01	01	01	01	01	01



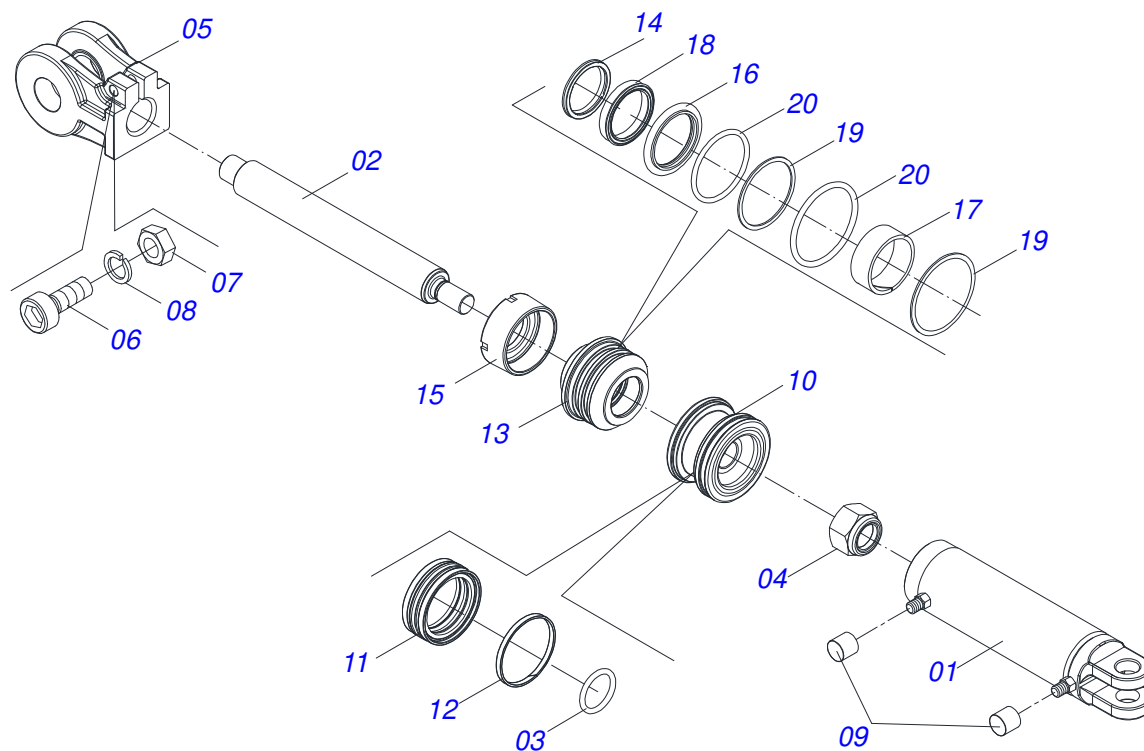
GAICR 12/14/16/18/20/22/24D
FRAME ASSY 12/14/16/18/20/22/24D

Item	Code	Description	See page	12	14	16	18	20	22	24
25	0521010575	C0.9" X 3.3" COUPLING SHAFT		02	02	02	02	02	02	02
26	0521010584	C0.9" X 5.7" COUPLING SHAFT		01	01	01	01	01	01	01
27	0501049338	HYDRAULIC CYLINDER 44,45 X 85,72 X 515 X 203		01	01	00	00	00	00	00
27.	0501048420	HYDRAULIC CYLINDER		00	00	01	01	01	01	01
28	0511019920	LUVA 32,7 X 38,8 X 25,40		01	01	00	00	00	00	00
28.	0511019921	1.3" X 0.1" X 1" SLEEVE		00	00	01	01	01	01	01
29	0521012538	1.2" X 3.5" COUPLING SHAFT		02	02	02	02	02	02	02
30	0503010523	1/4" X 2" COTTERPIN		02	02	02	02	02	02	02
31	0501064698	SPRING ROD		01	01	01	01	01	01	01
32	0502020392	SPRING SUPPORT		02	02	02	02	02	02	02
33	0503030441	12.7" X 5.7" X 0.5"SPRING		01	01	01	01	01	01	01
34	0501010059	1.5/8 NUT		02	02	02	02	02	02	02
35	0521010592	1.1" X 3.1" COUPLING SHAFT		01	01	01	01	01	01	01
36	0501017579	FLAT WASHER		02	02	02	02	02	02	02
37	0501068264	FRONT FRAME		01	00	00	00	00	00	00
37.	0501065140	FRONT FRAME		00	01	00	00	00	00	00
37..	0501065142	FRONT FRAME		00	00	01	00	00	00	00
37...	0501065144	FRONT FRAME		00	00	00	01	00	00	00
38	0501065146	FRONT FRAME		00	00	00	00	01	00	00
38.	0501067272	FRONT FRAME		00	00	00	00	00	01	00
38..	0501065148	FRONT FRAME		00	00	00	00	00	00	01
39	0501068265	REAR FRAME		01	00	00	00	00	00	00
39.	0501065141	REAR FRAME		00	01	00	00	00	00	00
39..	0501065143	REAR FRAME		00	00	01	00	00	00	00
39...	0501065145	REAR FRAME		00	00	00	01	00	00	00
40	0501065147	REAR FRAME		00	00	00	00	01	00	00
40.	0501067273	REARFRAME		00	00	00	00	00	01	00
40..	0501065149	REAR FRAME		00	00	00	00	00	00	01
41	0501041096	DRAWBAR ASSY	4	01	01	00	00	00	00	00
41.	0521048502	ASSY TRACTION BAR	5	00	00	01	01	01	01	01
42	0503060094	WHEEL AND TIRE ASSY	10	02	02	00	00	00	00	00
42.	0503060091	L29.5"X0.63"-10L WHEEL AND	11	00	00	01	01	01	01	01
43	0501064168	REAR SCRAPER		03	04	04	04	05	06	07
44	0501064167	REAR SCRAPER		03	04	04	04	05	06	07
45	0501040343	DRAWBOLT ASSY		01	01	00	00	00	00	00
45A	0521010453	AXI SHAFT		01	01	00	00	00	00	00
45B	0503031035	HAIR PIN		01	01	00	00	00	00	00
46	0501069080	COUPLING SHAFT		00	00	01	01	01	01	01
47	0503031035	HAIR PIN		00	00	01	01	01	01	01
48	0511010420	8.5" X 1.8" TRANSPORT LOCK		01	01	00	00	00	00	00
48.	0511010839	TRANSPORT LOCK 7.9" X 2.1" X 0.4"		00	00	01	01	01	01	01
49	0501068994	0.3" X 3.1"LOCK PIN		01	01	01	01	01	01	01
50	0503030168	HAIR PIN		01	01	00	00	00	00	00
50.	0503031035	HAIR PIN		00	00	01	01	01	01	01
51	0501011431	1-3/4" GANG BOLT WRENCH		02	02	02	02	02	02	02
52	0503016140	3/4" WRENCH CABLE CYLINDRICAL		01	01	01	01	01	01	01
53	0501061617	1" GANG BOLT WRENCH		01	01	01	01	01	01	01
54	0511018451	5/8" X 3/4" X 1" UNIVERSAL		01	01	01	01	01	01	01
55	0501040257	3/4 X 1200 HOSE HOLDER A	12	01	01	01	01	01	01	01
56	0502012702	BODY SUPPORT CLAMP		02	02	02	02	02	02	02
57	0503010180	7/16" SPRING WASHER		02	02	02	02	02	02	02
58	0503012555	SCREW 7/16 UNC X 2 CS RT G.7 ZN		02	02	02	02	02	02	02
59	0501080443	3/8" X 236" TR-TM HOSE		01	01	01	01	01	01	01
60	0501080421	3/8" X 230" TR-TM HOSE ASS		01	01	01	01	01	01	01
61	0501053834	MALE QUICK COUPLER WITH CAP - 1/2 NPT		02	02	02	02	02	02	02
62	0503011082	C1/2" X 1.3/4" SCREW		12	16	16	16	20	24	28
63	0511017302	FLAT WASHER		12	16	16	16	20	24	28
64	0503010019	1/2" SPRING WASHER		12	16	16	16	20	24	28
65	0503010060	1/2" NUT		12	16	16	16	20	24	28

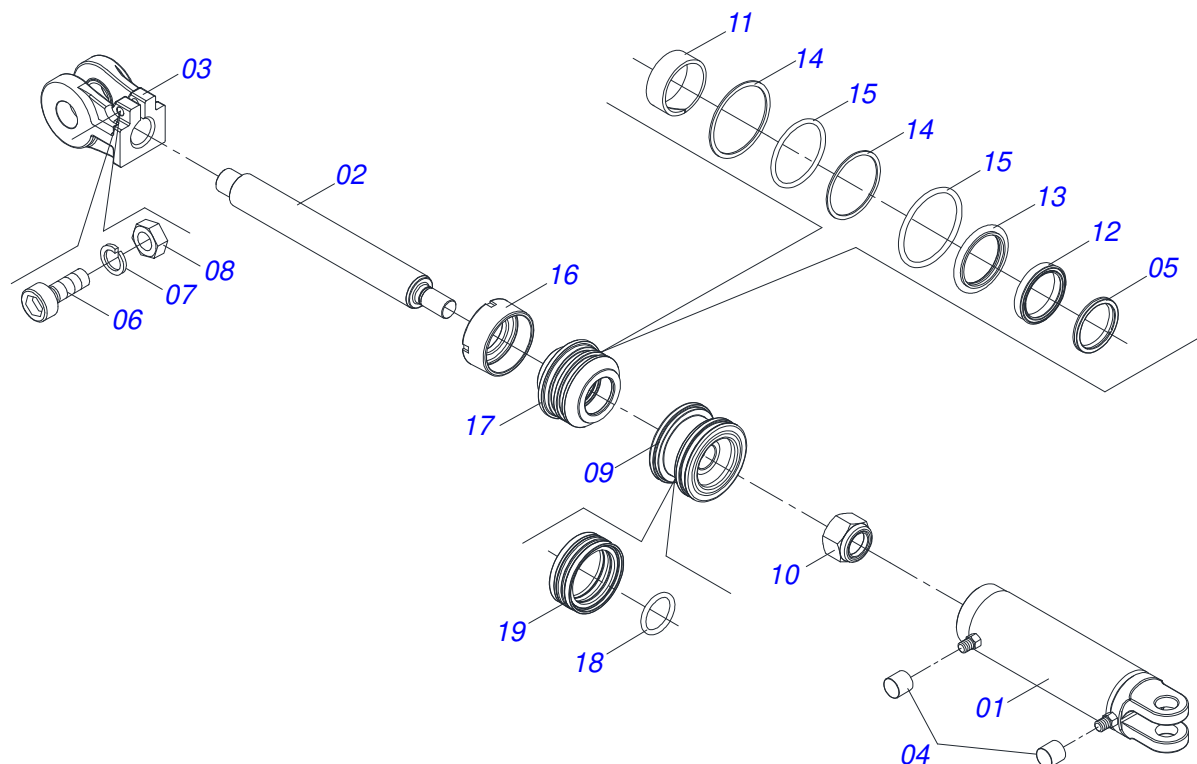


GAICR 12/14/16/18/20/22/24D
FRAME ASSY 12/14/16/18/20/22/24D

Item	Code	Description	See page	12	14	16	18	20	22	24
66	0501040877	C1" X 3-1/4" ASSY BOLT		08	08	08	08	08	08	08
66A	0501014309	C1" X 3-1/4" BOLT		08	08	08	08	08	08	08
66B	0501010951	1" SQUARE WASHER		08	08	08	08	08	08	08
66C	0501010065	1" SPRING WASHER		08	08	08	08	08	08	08
66D	0503011438	SPRING WASHER		08	08	08	08	08	08	08
66E	0501010059	1.5/8 NUT		08	08	08	08	08	08	08
67	0503062157	HEADER JACK	7	00	00	01	01	01	01	01
68	0503031087	ADHESIVE LABEL		01	01	01	01	01	01	01
69	0503034078	LIFTING POINTS DECAL		04	04	04	04	04	04	04
70	0503031738	ADHESIVE LABEL		01	01	01	01	01	01	01
71	0503033038	DANGER SIGN		01	01	01	01	01	01	01
72	0503060787	SET LABEL ADHESIVE		01	01	01	01	01	01	01
73	0503031827	LUBRICATE AND RETIGHTEN DAILY DECAL		01	01	01	01	01	01	01
74	0503031428	READ MANUAL DECAL		01	01	01	01	01	01	01
75	0503034003	SERIAL NUMBER TAG 61 X 118		01	01	01	01	01	01	01
76	0503010001	3.2 X 5.5 RIVET		04	04	04	04	04	04	04
77	0909091712	GANG DISCS FRONT - 12/14/16/18/20/22/24D	13	02	02	02	02	02	02	02
78	0909091713	REAR GANG DISC - 12/14/16/18/20/22/24D	14	02	02	02	02	02	02	02

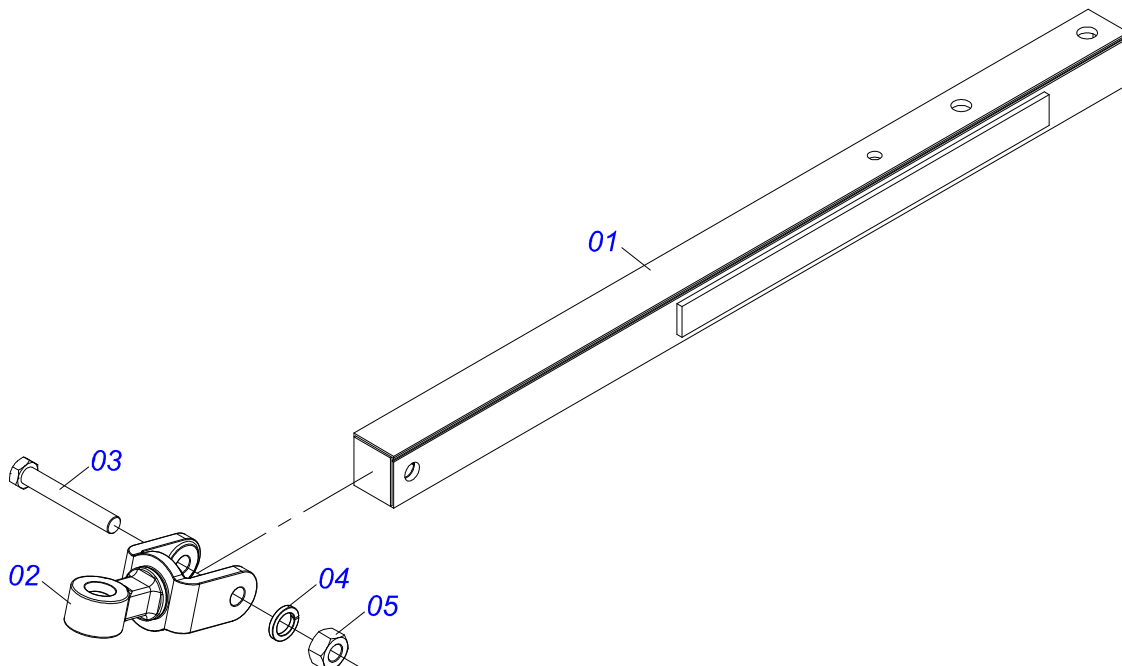


Item	Code	Description	See page	QT
001	0511061588	3.4" X 16" CYLINDER CASE		01
002	0521010421	HYDRAULIC CYLINDER TURNBUCKLE		01
003	0503010042	2-214 N 3006-9B O'RING		01
004	0503010063	1" SELF-ALIGNING NUT		01
005	0502040747	32.54 CLEVIS CLAMP		01
006	0503011094	3/8" X 2" BOLT		01
007	0503010026	3/8" NUT		01
008	0503010025	3/8" SPRING WASHER		01
009	0503030385	CYLINDER PLUG N-002		02
010	0571019710	1.7" X 3.4" PISTON		01
011	0503017935	RING		01
012	0503018144	RING		01
013	0571019711	RING SUPPORT		01
014	0503010761	D-1750 SCRAPER RING		01
015	0571019709	DETACHABLE COVER		01
016	0503017936	RING		01
017	0503017938	RING GUIDE		01
018	0503017937	GASKET		01
019	0503017940	8-337 BACK-UP RING		02
020	0503017939	2-337 N 3006-9B O' RING		02

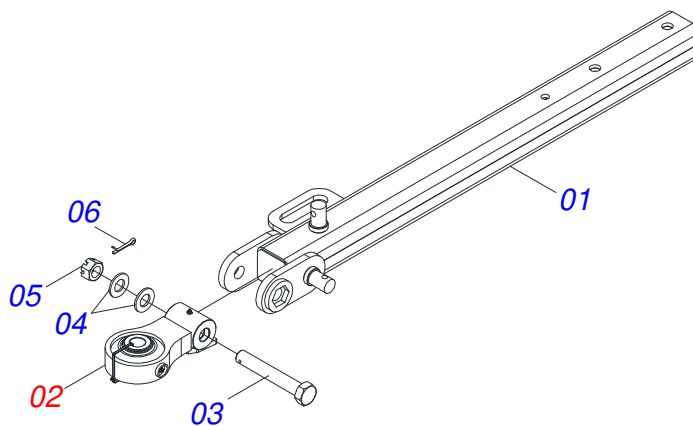


Item	Code	Description	See page	QT
01	0511070658	CYLINDER CASE		01
02	0571019958	HYDRAULIC CYLINDER TURNBUCKLE		01
03	0502040747	32.54 CLEVIS CLAMP		01
04	0503030385	CYLINDER PLUG N-002		02
05	0503010039	D-2000 SCRAPER RING		01
06	0503011094	3/8" X 2" BOLT		01
07	0503011443	3/8" SPRING WASHER		01
08	0503010026	3/8" NUT		01
09	0502012820	50.80 X 101.60 PISTON		01
10	0503010817	1.1/4" SELF LOCKING NUT		01
11	0503018025	RING GUIDE		01
12	0503018026	1870-2000-375 B GASKET		01
13	0503018024	RING BS		01
14	0503010338	2-342 N 3006-9B O-RING		02
15	0503011061	8-342 BACK-UP RING		02
16	0502012822	101.60 END CAP		01
17	0502012821	50.80 X 101.60 RING SUPPORT		01
18	0503018029	2-217 O-RING		01
19	0503015633	SELEMASTER SEALING		01

DRAWBAR ASSY

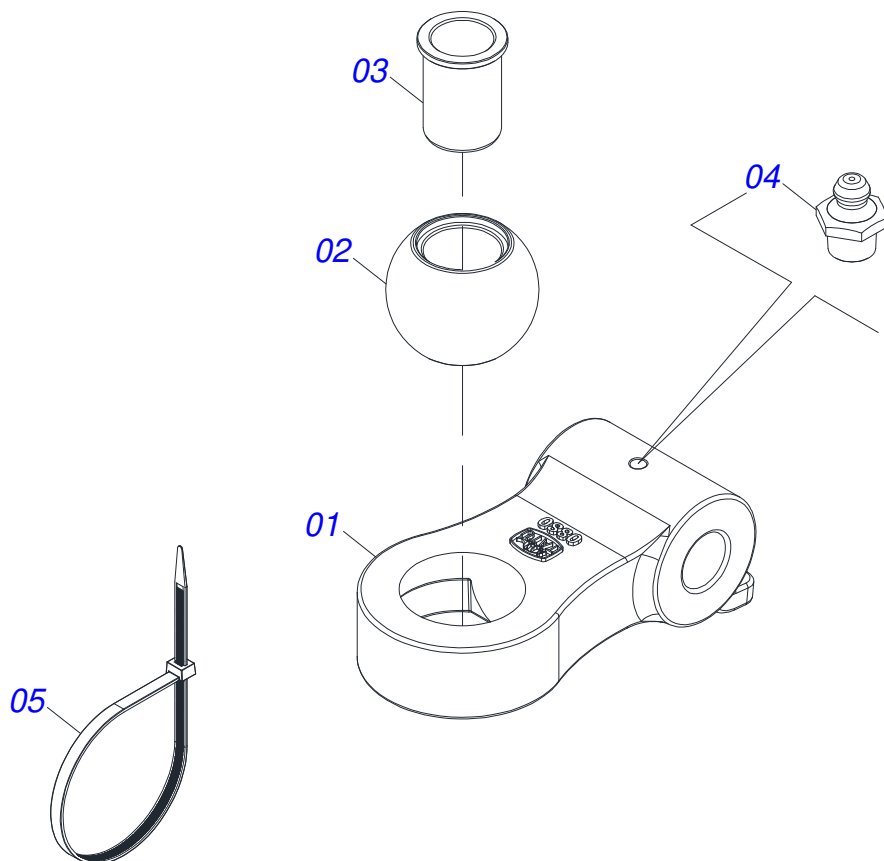


Item	Code	Description	See page	QT
01	0501060188	DRAWBAR ASSY		01
02	0521061775	TRACTOR HITCH		01
03	0501010060	1" X 6-1/2" BOLT		01
04	0503011438	SPRING WASHER		01
05	0501010059	1.5/8 NUT		01

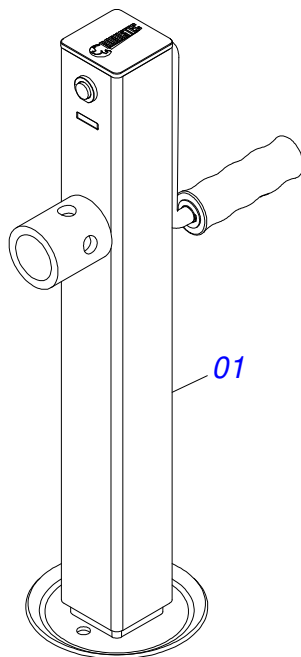


Item	Code	Description	See page	QT
01	0521069165	DRAWBAR ASSY		01
02	0521057520	HITCH ASSY	6	01
03	0581015973	1.1/4 UNC X 8 C S G5 SCREW		01
04	0501017779	32 X 60 X 4.75 FLAT WASHER		02
05	0503013026	1.1/4" CASTLE NUT		01
06	0503010010	1/4" X 2.1/2" COTTERPIN		01

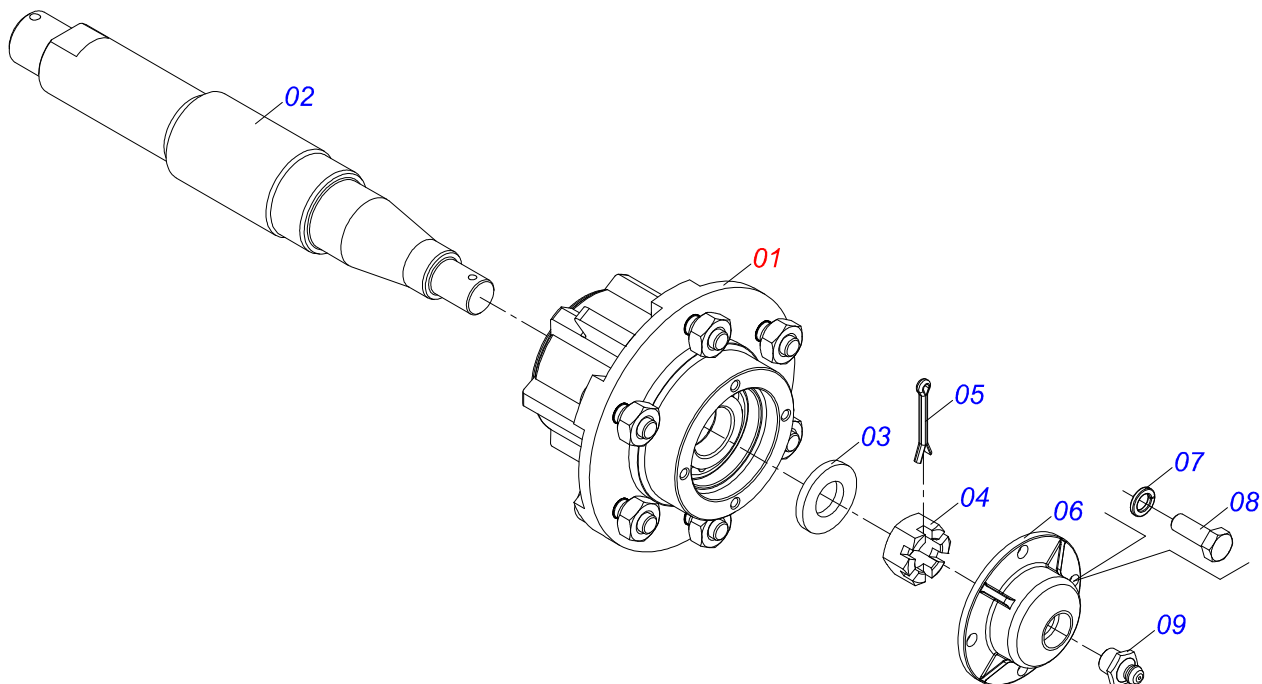
HITCH ASSY



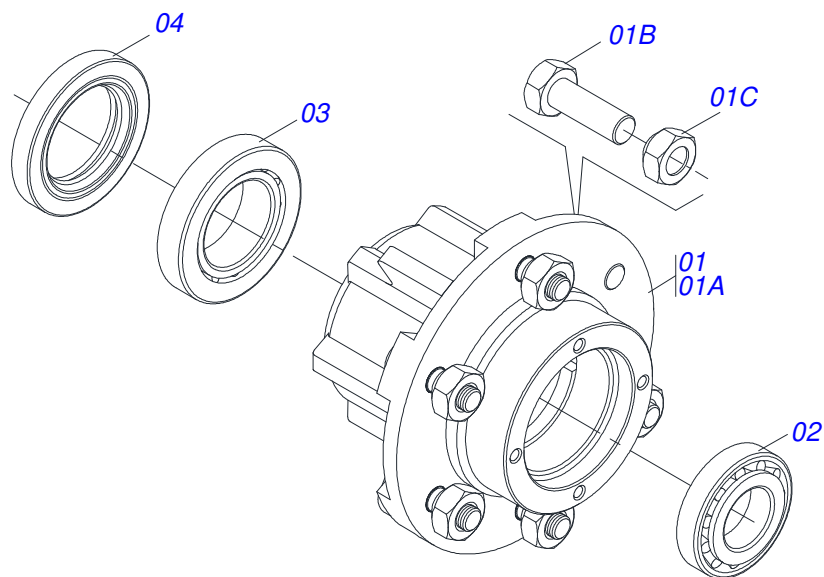
Item	Code	Description	See page	QT
01	0502040880	HITCH BODY		01
02	0502040885	BODY ATTACHMENT		01
03	0591012511	SLEEVE		01
04	0503010002	1800 GREASE FITTING		01
05	0503018829	NYLON CLAMP		01



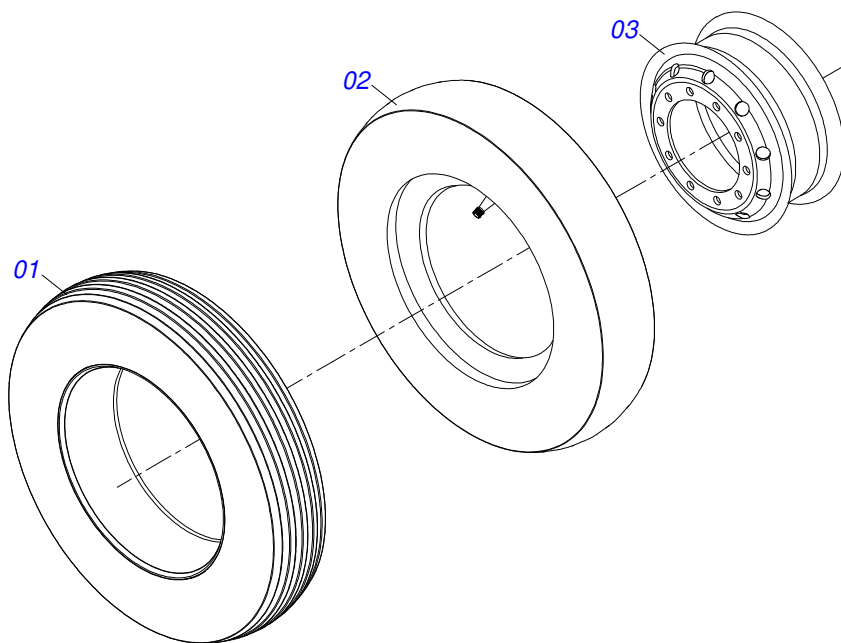
Item	Code	Description	See page	QT
01	0503062157	HEADER JACK	7	01



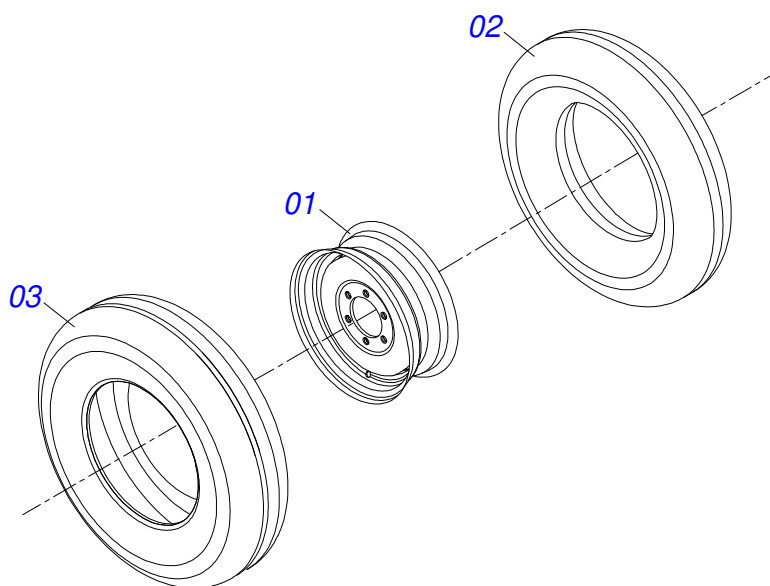
Item	Code	Description	See page	QT
01	0501051142	CARRYING WHEEL HUB	9	01
02	0521010821	2.5" X 16.5" AXLE		01
03	0501016545	FLAT WASHER		01
04	0503030009	1" CASTLE NUT		01
05	0503010018	5/32 X 1-1/2 COTTERPIN		01
06	0502020591	PROTECCION COVER		01
07	0503011444	SPRING WASHER		04
08	0503010358	5/16" X 5/8" BOLT		04
09	0503010002	1800 GREASE FITTING		01



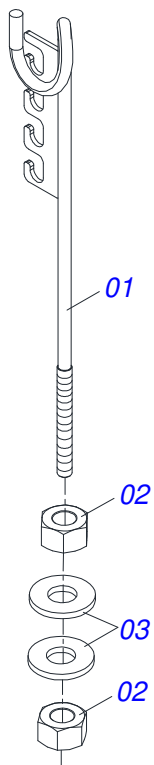
Item	Code	Description	See page	QT
01	0501110728	WHEEL HUB		01
01A	0502011121	CARRYING WHEEL HUB		01
01B	0501010127	9/16" X 1-7/8" LUG BOLT		06
01C	0503010035	9/16" CONIC NUT		06
02	0503010037	30207 ROLLER BEARING		01
03	0503010006	32210 ROLLER BEARING		01
04	0503012928	SEAL		01



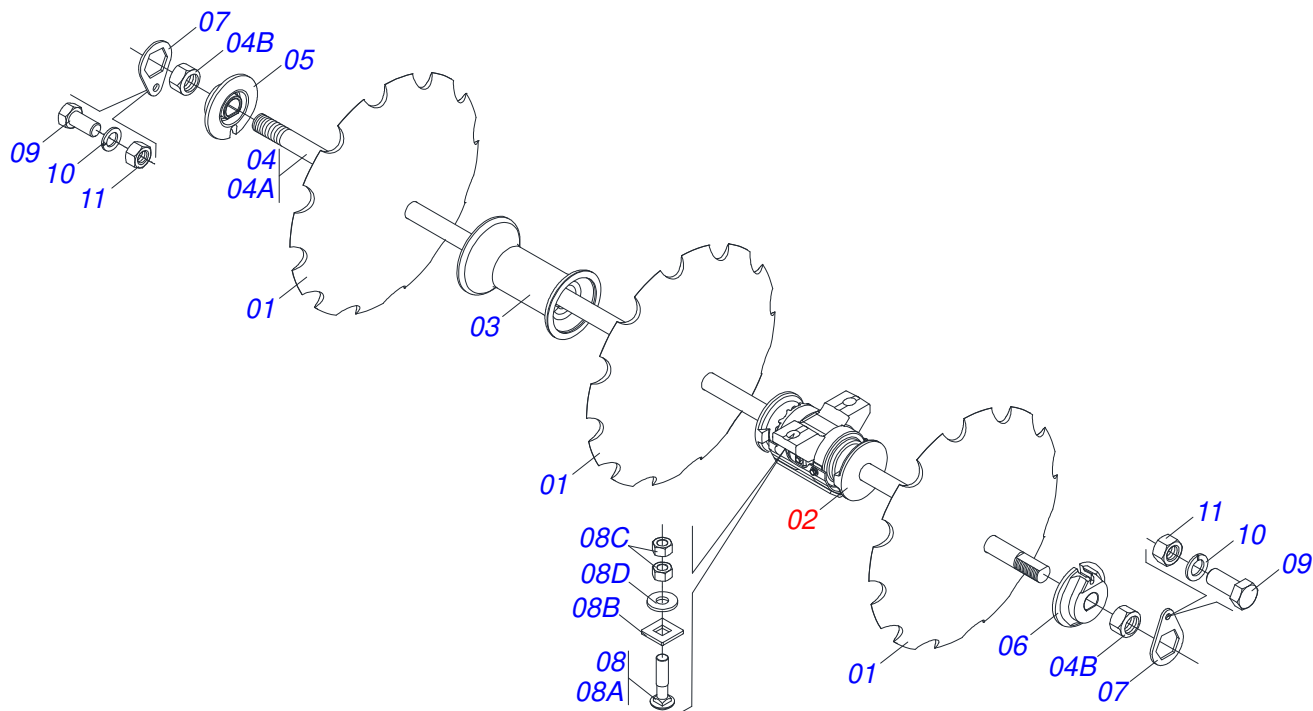
Item	Code	Description	See page	QT
01	0503010065	CANVAS TIRE		01
02	0503010068	6.00 X 16 INNER TIRE		01
03	0503010894	0.2"X0.6"X4.6"X6F0.6"X6" WHEEL		01



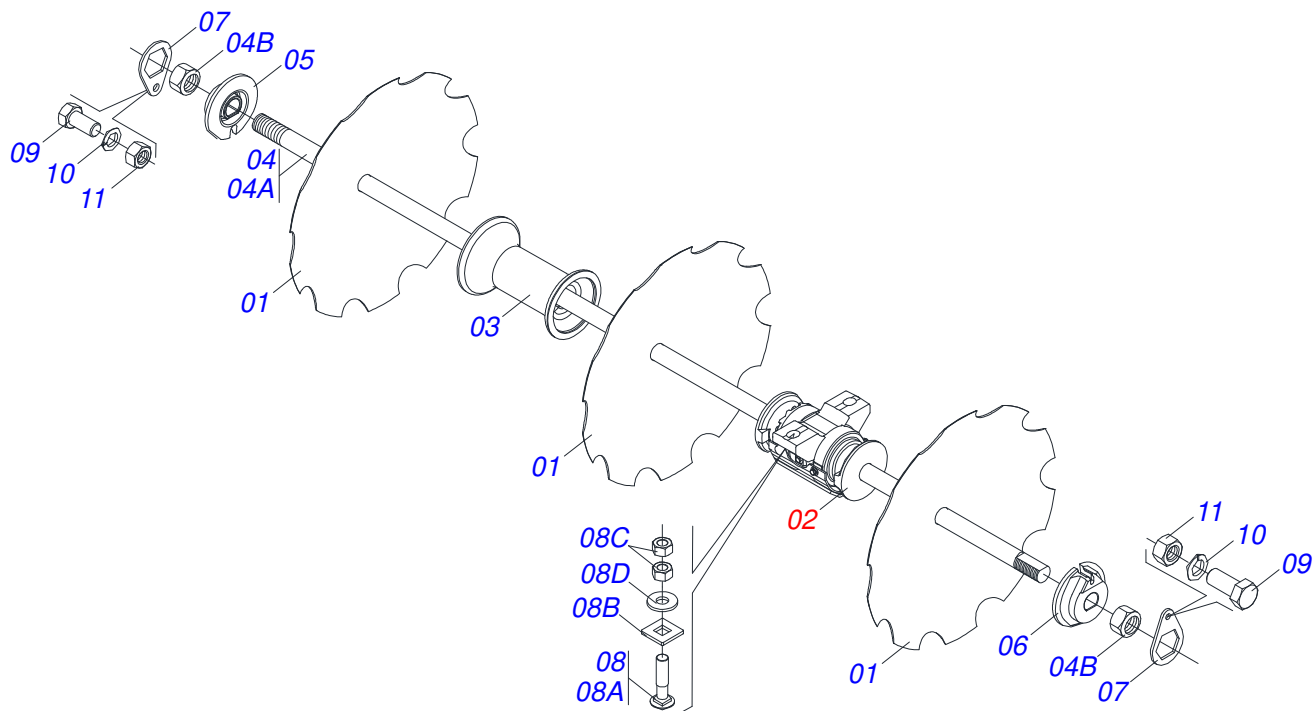
Item	Code	Description	See page	QT
01	0503010893	WHEEL		01
02	0503010033	7.50 X 16 INNER TIRE		01
03	0503010120	CANVAS TIRE		01



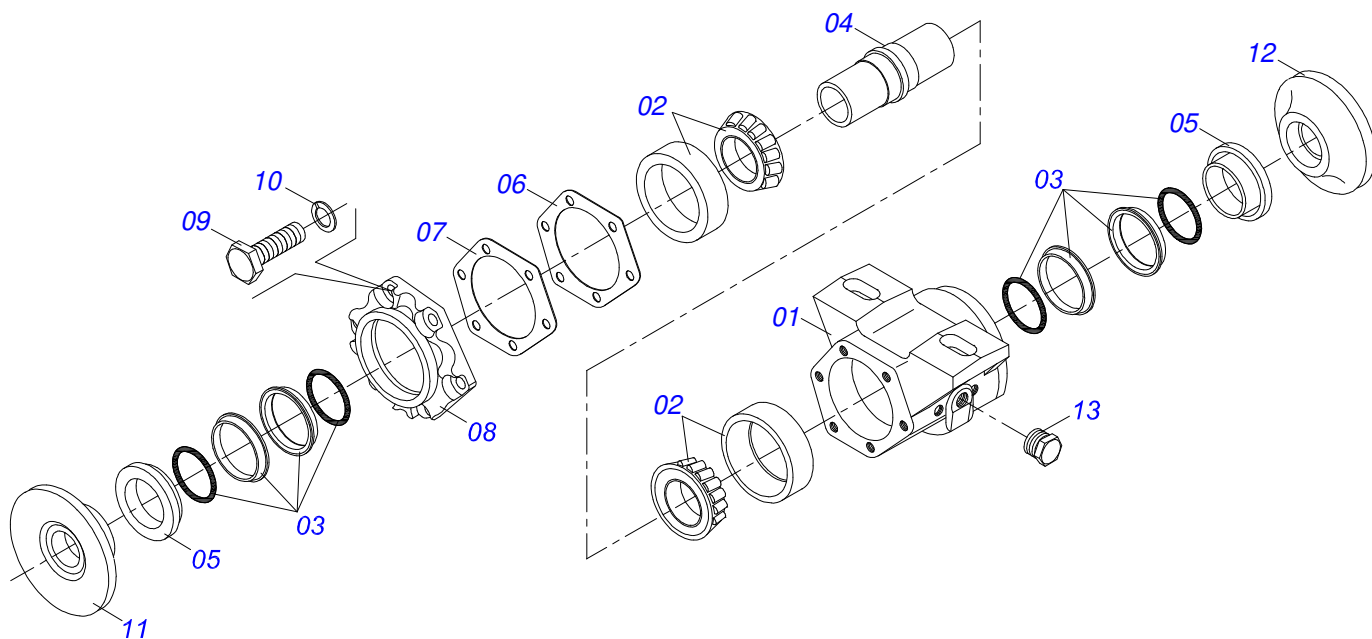
Item	Code	Description	See page	QT
01	0511067334	HOSE SOPPORT ASSY		01
02	0503010014	3/4" NUT		02
03	0501010322	FLAT WASHER		02



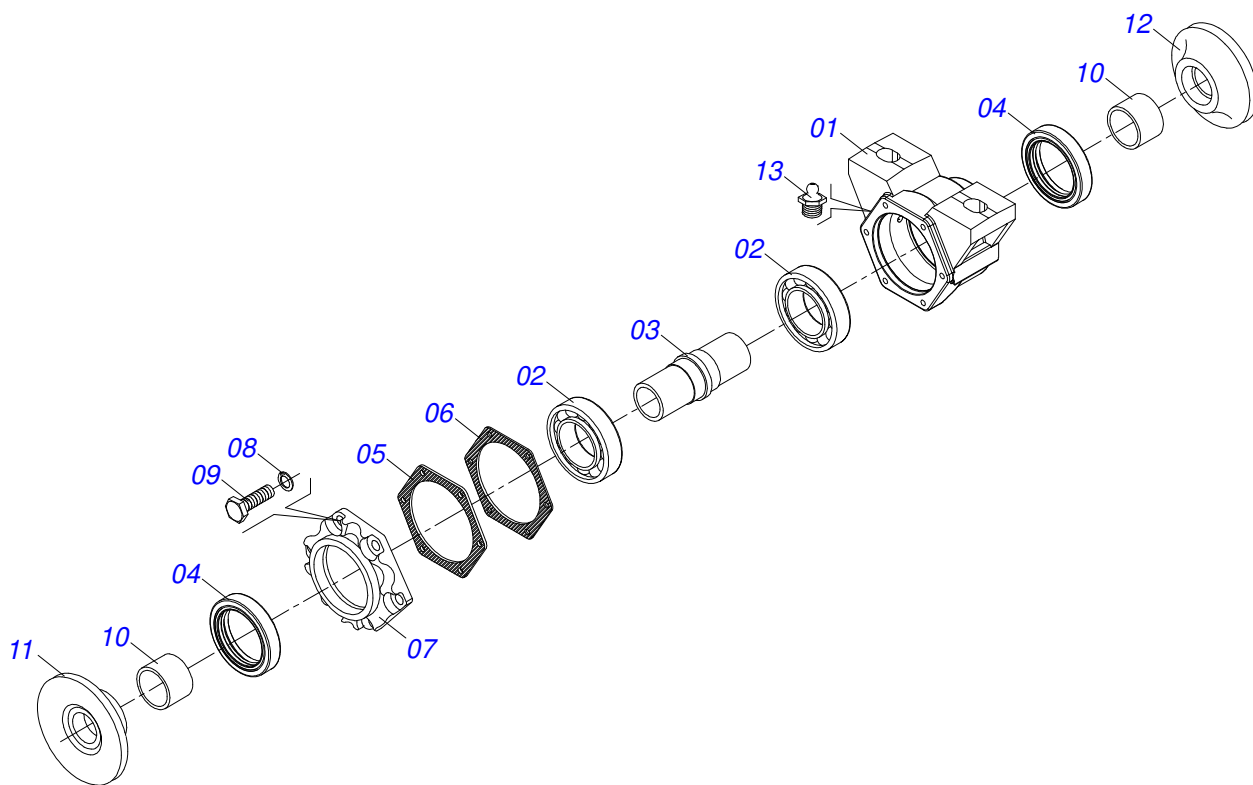
Item	Code	Description	See page	12	14	16	18	20	22	24
01	0602033005	26" X 0.2" NOTCHED DISC BLADE		06	07	08	09	10	11	12
01.	0602037004	28" X 0.2" NOTCHED DISC BLADE		06	07	08	09	10	11	12
01..	0602037006	DR28X7,5 C102AF04FR1.11/16 10R TATU		06	07	08	09	10	11	12
01...	0602033232	DR26X6 C89AF02FR1.11/16 10REC TATU		06	07	08	09	10	11	12
02	0501046925	262 X 1-5/8" OIL BATH BRG ASSY,FG	15	02	02	03	04	04	04	04
02.	0501046916	262 X 1-5/8" GRESABLE BRG ASSY,FG	16	02	02	03	04	04	04	04
02..	0501048457	262MM X 1.5/8" RD OIL BATH BEARING	17	02	02	03	04	04	04	04
02...	0501110856	ARTICULACION BEARING	18	02	02	03	04	04	04	04
03	0502010703	10.35" 1-5/8" SPACER		03	04	04	03	04	04	04
04	0501046856	1-5/8" X 59" AXLE WITH NUTS 2-3/4		01	00	00	00	00	01	02
04.	0501046859	1-5/8" X 70" AXLE WITH NUTS 2-3/4"		00	01	00	00	00	00	01
04..	0501046861	1-5/8" X 80" AXLE WITH NUTS 2-3/4"		00	00	01	00	00	00	00
04...	0501046854	1-5/8" X 48" AXLE WITH NUTS 2-3/4		00	00	00	02	02	02	00
04....	0501046811	1-5/8" X 38"- AXLE WITH NUTS 2-3/4		00	00	00	02	02	02	00
04A	0501019012	1-5/8" X 59" AXLE		01	00	00	00	00	01	02
04A.	0501015631	1-5/8" X 70" AXLE		00	01	00	00	00	00	01
04A..	0501019015	1-5/8 X 80" AXLE		00	00	01	00	00	00	00
04A...	0501019016	1-5/8 X 48" AXLE		00	00	00	02	02	02	00
04A....	0501019013	1-5/8" X 38" AXLE		00	00	00	02	02	02	00
04B	0502040640	1.5/8" 2.3/4" NUT		04	04	04	04	04	06	06
05	0502011047	1-5/8" INNER AXLE WASHER		01	01	01	02	02	02	02
06	0502011048	1-5/8" EXTERNAL AXLE WASHER		01	01	01	02	02	02	02
07	0511014339	1-5/8" 2.8" NUT LOCK		02	02	02	04	04	04	04
08	0511040034	3/4" X 3-1/4" BOLT ASSY		04	04	06	08	08	08	08
08A	0501017303	3/4" X 3-1/4" BOLT		04	04	06	08	08	08	08
08B	0501010949	3/4" SQUARE WASHER		04	04	06	08	08	08	08
08C	0503010014	3/4" NUT		08	08	12	16	16	12	12
08D	0501010322	FLAT WASHER		04	04	06	08	08	08	08
09	0503011267	BOLT 5/8 UNC X 1.1/2 C S G.5 ZN		02	02	02	04	04	04	04
10	0503010027	5/8" SPRING WASHER		02	02	02	04	04	04	04
11	0503010013	5/8" NUT		02	02	02	04	04	04	04



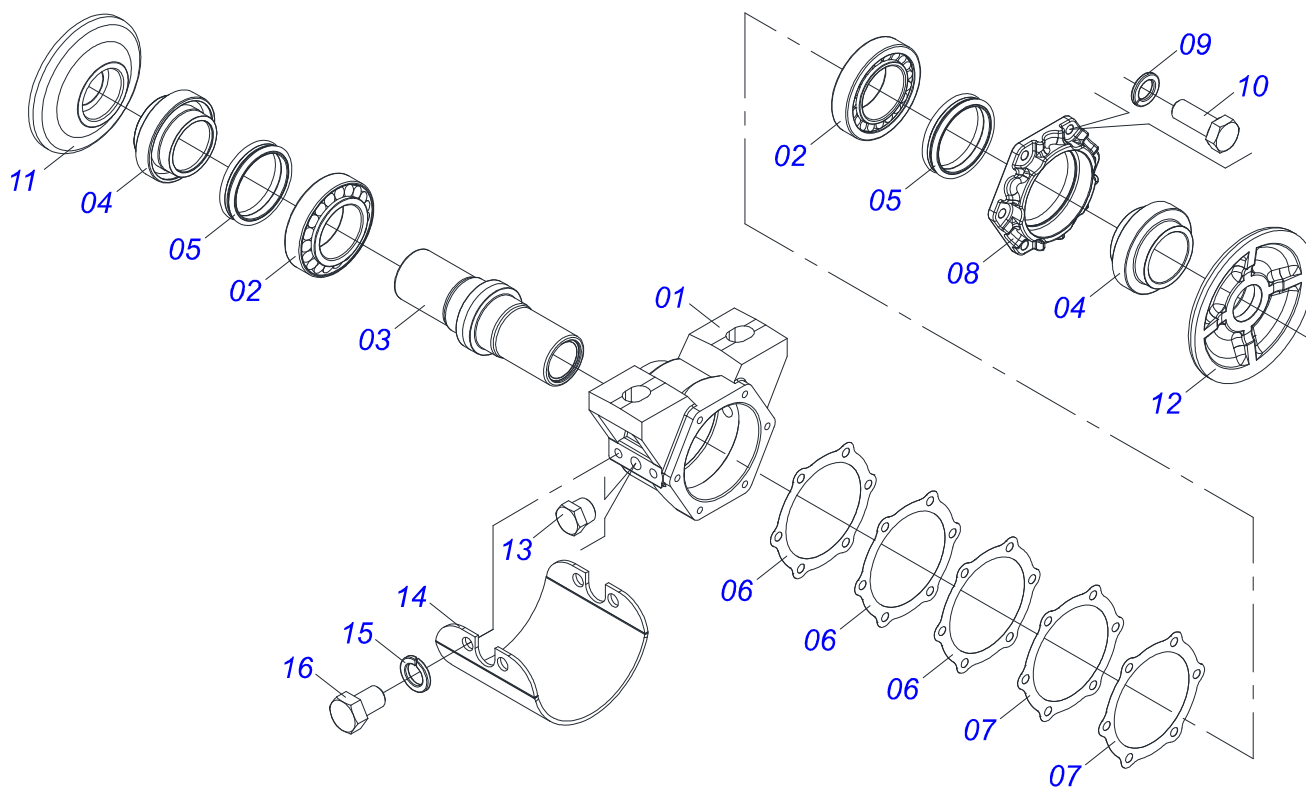
Item	Code	Description	See page	12	14	16	18	20	22	24
01	0602033005	26" X 0.2" NOTCHED DISC BLADE		06	07	08	09	10	11	12
01.	0602037004	28" X 0.2" NOTCHED DISC BLADE		06	07	08	09	10	11	12
01..	0602037006	DR28X7,5 C102AF04FR1.11/16 10R TATU		06	07	08	09	10	11	12
01...	0602033232	DR26X6 C89AF02FR1.11/16 10REC TATU		06	07	08	09	10	11	12
02	0501043202	262 X 1-5/8" OIL BATH BRG ASSY,RG	19	02	02	03	04	04	04	04
02.	0501043090	262 X 1-5/8" GRESABLE BRG ASSY,RG		02	02	03	04	04	04	04
03	0502010703	10.35" 1-5/8" SPACER		03	04	04	03	05	06	07
04	0501046856	1-5/8" X 59" AXLE WITH NUTS 2-3/4"		01	00	00	00	00	01	02
04.	0501046859	1-5/8" X 70" AXLE WITH NUTS 2-3/4"		00	01	00	00	00	00	01
04..	0501046861	1-5/8" X 80" AXLE WITH NUTS 2-3/4"		00	00	01	00	00	00	00
04...	0501046854	1-5/8" X 48" AXLE WITH NUTS 2-3/4"		00	00	00	02	02	02	00
04....	0501046811	1-5/8" X 38"- AXLE WITH NUTS 2-3/4"		00	00	00	02	02	02	00
04A	0501019012	1-5/8" X 59" AXLE		01	00	00	00	00	01	02
04A.	0501015631	1-5/8" X 70" AXLE		00	01	00	00	00	00	01
04A..	0501019015	1-5/8 X 80" AXLE		00	00	01	00	00	00	00
04A...	0501019016	1-5/8 X 48" AXLE		00	00	00	02	02	02	00
04A....	0501019013	1-5/8" X 38" AXLE		00	00	00	02	02	02	00
04B	0502040640	1.5/8" 2.3/4" NUT		04	04	04	04	04	06	06
05	0502011047	1-5/8" INNER AXLE WASHER		01	01	01	02	02	02	02
06	0502011048	1-5/8" EXTERNAL AXLE WASHER		01	01	01	02	02	02	02
07	0511014339	1-5/8" 2.8" NUT LOCK		02	02	02	04	04	04	04
08	0511040034	3/4" X 3-1/4" BOLT ASSY		04	04	06	08	08	08	08
08A	0501017303	3/4" X 3-1/4" BOLT		04	04	06	08	08	08	08
08B	0501010949	3/4" SQUARE WASHER		04	04	06	08	08	08	08
08C	0503010014	3/4" NUT		08	08	12	16	16	12	12
08D	0501010322	FLAT WASHER		04	04	06	08	08	08	08
09	0503011267	BOLT 5/8 UNC X 1.1/2 C S G.5 ZN		02	02	02	04	04	04	04
10	0503010027	5/8" SPRING WASHER		02	02	02	04	04	04	04
11	0503010013	5/8" NUT		02	02	02	04	04	04	04



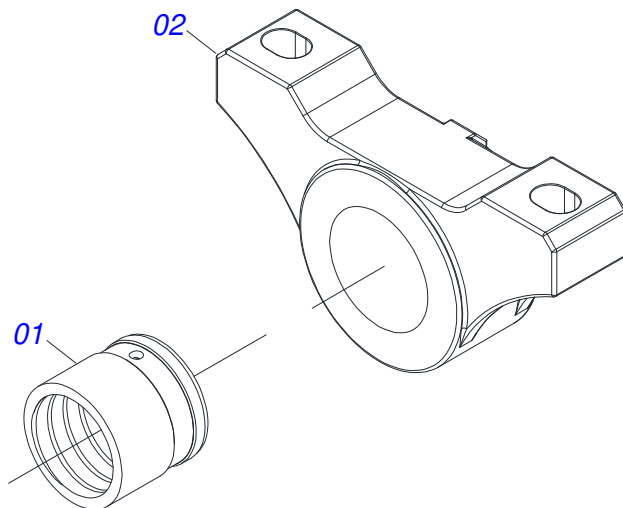
Item	Code	Description	See page	QT
01	0502020481	HOUSING DM		01
02	0503010005	32212 ROLLER BEARING		02
03	0503030027	DUO-CONE SEAL		02
04	0502010900	BEARING AXLE		01
05	0502010735	SEAL RETAINER		02
06	0503030030	5.6" X 4.4" X 0.01" GASKET		02
07	0503030685	5.5" X 4.4" X 0.003" GASKET		02
08	0502020161	WEAR PLATE BEARING		01
09	0503010237	3/8" X 1" BOLT		06
10	0503011443	3/8" SPRING WASHER		06
11	0502040239	OUTER FLANGE		01
12	0502040240	INNER FLANGE		01
13	0503010856	OIL PLUG		01



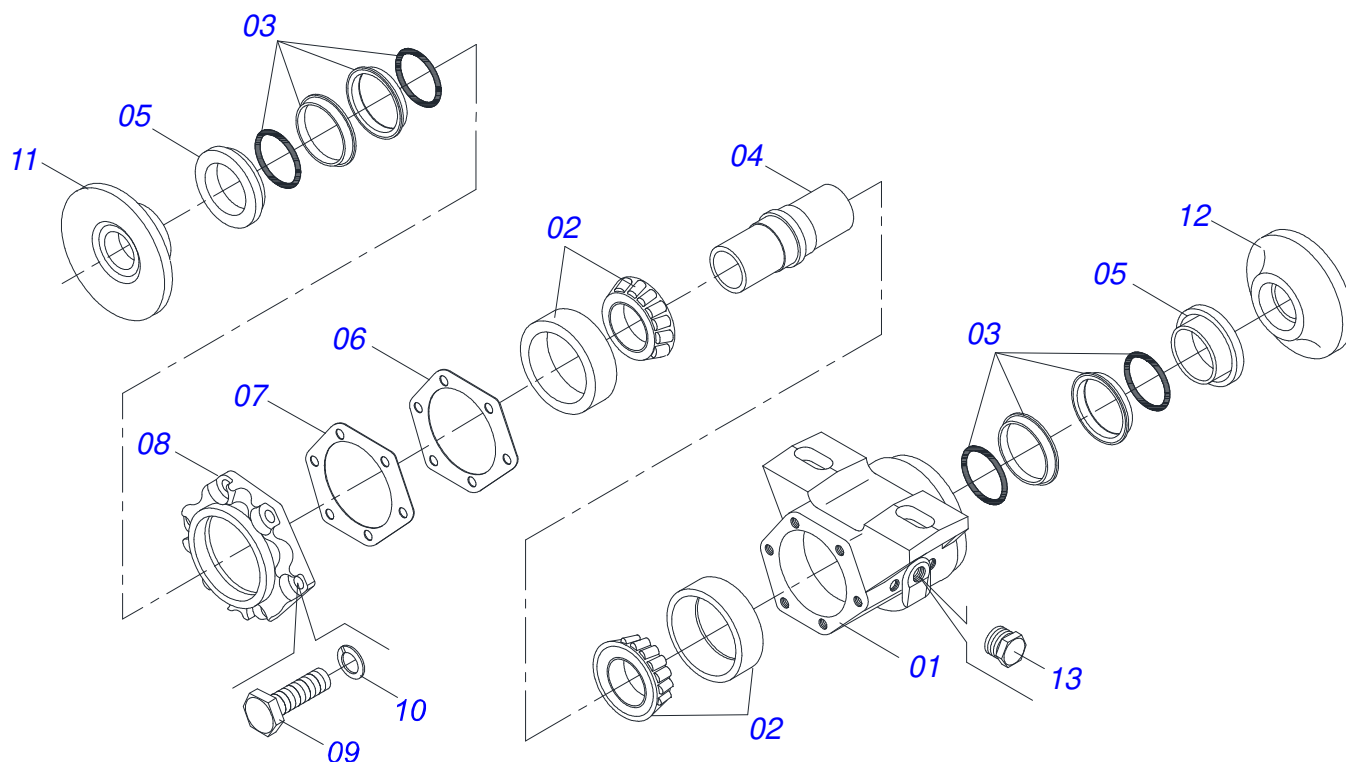
Item	Code	Description	See page	QT
01	0502020479	BEARING HOUSING, FG		01
02	0503010005	32212 ROLLER BEARING		02
03	0502010900	BEARING AXLE		01
04	0503010087	02017-GB GREASE SEAL		02
05	0503030030	5.6" X 4.4" X 0.01" GASKET		03
06	0503030685	5.5" X 4.4" X 0.003" GASKET		02
07	0502020523	BEARING CAP		01
08	0503011443	3/8" SPRING WASHER		06
09	0503010237	3/8" X 1" BOLT		06
10	0502040591	SPACING BUSHING		02
11	0502040239	OUTER FLANGE		01
12	0502040240	INNER FLANGE		01
13	0503010002	1800 GREASE FITTING		01



Item	Code	Description	See page	QT
01	0502020636	8.8" X 1-5/8" OIL HOUSING BEARING		01
02	0503013496	3982/3920 ROLLER BEARING		02
03	0502010740	AXLE TK		01
04	0502010736	SEAL RETAINER		02
05	0503030027	DUO-CONE SEAL		02
06	0503030030	5.6" X 4.4" X 0.01" GASKET		03
07	0503030685	5.5" X 4.4" X 0.003" GASKET		02
08	0502020161	WEAR PLATE BEARING		01
09	0503011443	3/8" SPRING WASHER		06
10	0503010237	3/8" X 1" BOLT		06
11	0502040240	INNER FLANGE		01
12	0502040239	OUTER FLANGE		01
13	0503010856	OIL PLUG		02
14	0521012933	BEARING WEAR PLATE		01
15	0503010019	1/2" SPRING WASHER		04
16	0503011401	1/2" X 3/4" BOLT		04



Item	Code	Description	See page	QT
001	0581012980	SLEEVE		01
002	0502010006	ARTICULACION BEARING		01



Item	Code	Description	See page	QT
01	0502020482	HOUSING DM		01
02	0503010005	32212 ROLLER BEARING		02
03	0503030027	DUO-CONE SEAL		02
04	0502010900	BEARING AXLE		01
05	0502010735	SEAL RETAINER		02
06	0503030030	5.6" X 4.4" X 0.01" GASKET		02
07	0503030685	5.5" X 4.4" X 0.003" GASKET		02
08	0502020161	WEAR PLATE BEARING		01
09	0503010237	3/8" X 1" BOLT		06
10	0503010025	3/8" SPRING WASHER		06
11	0502040239	OUTER FLANGE		01
12	0502040240	INNER FLANGE		01
13	0503010856	OIL PLUG		01



MARCHESAN

Technical Publications | Elaboration and Revision

ALESSANDRA PATRICIA KAWAHARA CARRILI

www.marchesan.com.br

