

AUXILIARY PRODUCTS

GCA - PD/PCA/PCA-T

Code: 0501091102
Series: S-0510
Revision: 00
Date Revision: SETEMBRO/2014

PARTS CATALOGUE



MARCHESAN



PRODUCTS

Code	Description
0511048459	GARFO CARREGADOR AGRICOLA - PCA 600 1/2 RACINE
0511048464	GARFO CARREGADOR AGRICOLA - PCA 800/1100 HIDRO
0511048461	GARFO CARREGADOR AGRICOLA - PCA 800/1100 RACIN
0511050302	GARFO CARREGADOR AGRICOLA - PCA-T 1750 S-1110
0511048501	GARFO CARREGADOR AGRICOLA - PD CD P/CT 1/2 HID
0511048500	GARFO CARREGADOR AGRICOLA - PD CD P/CT 1/2 RAC

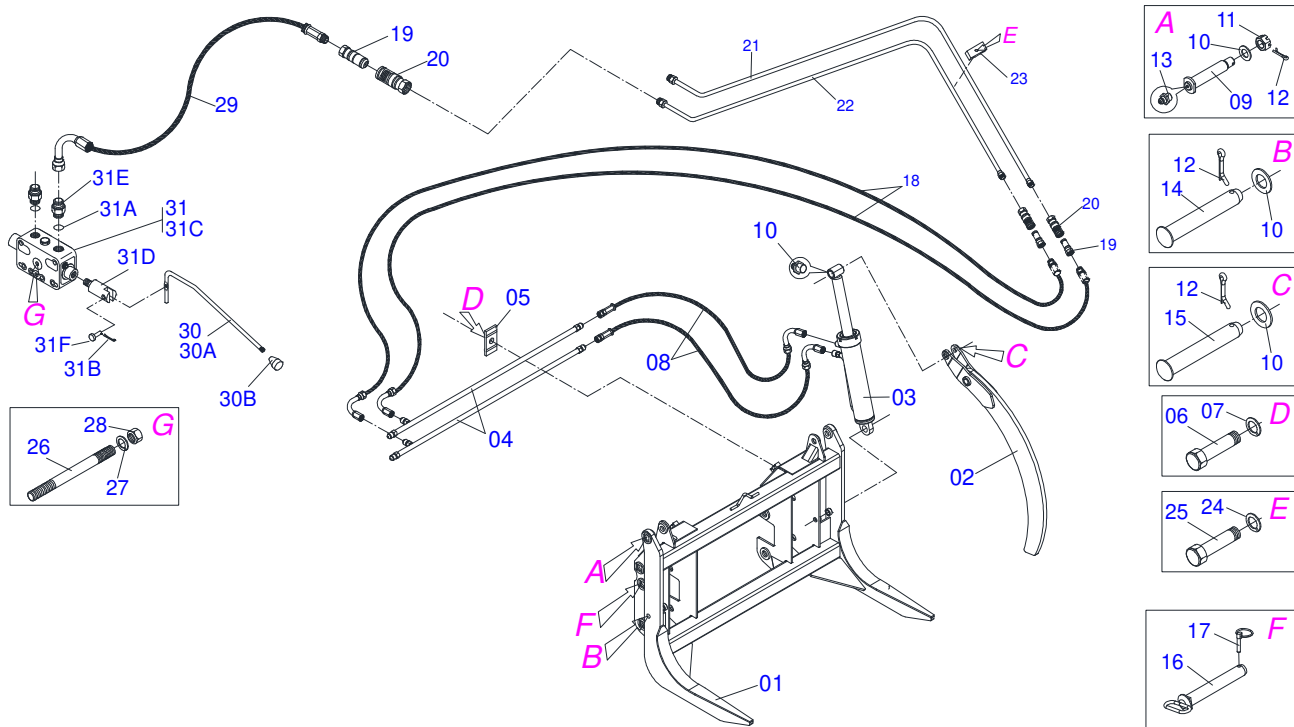
ATTENTION: IMPORTANT

Marchesan S.A. reserves the right to improve and/or modify the technical features of its products, without obligation to do the same with those products already sold and without prior knowledge of the dealer or the consumer. The photos are only illustrative.



INDEX

0511048459	AGRICULTURAL FORK LOADER	1
0511048464	AGRICULTURAL FORK LOADER	2
0511048461	AGRICULTURAL FORK LOADER	3
0511048501	AGRICULTURAL FORK LOADER	4
0511048500	AGRICULTURAL FORK LOADER	5
0511050302	AGRICULTURAL FORK LOADER	6

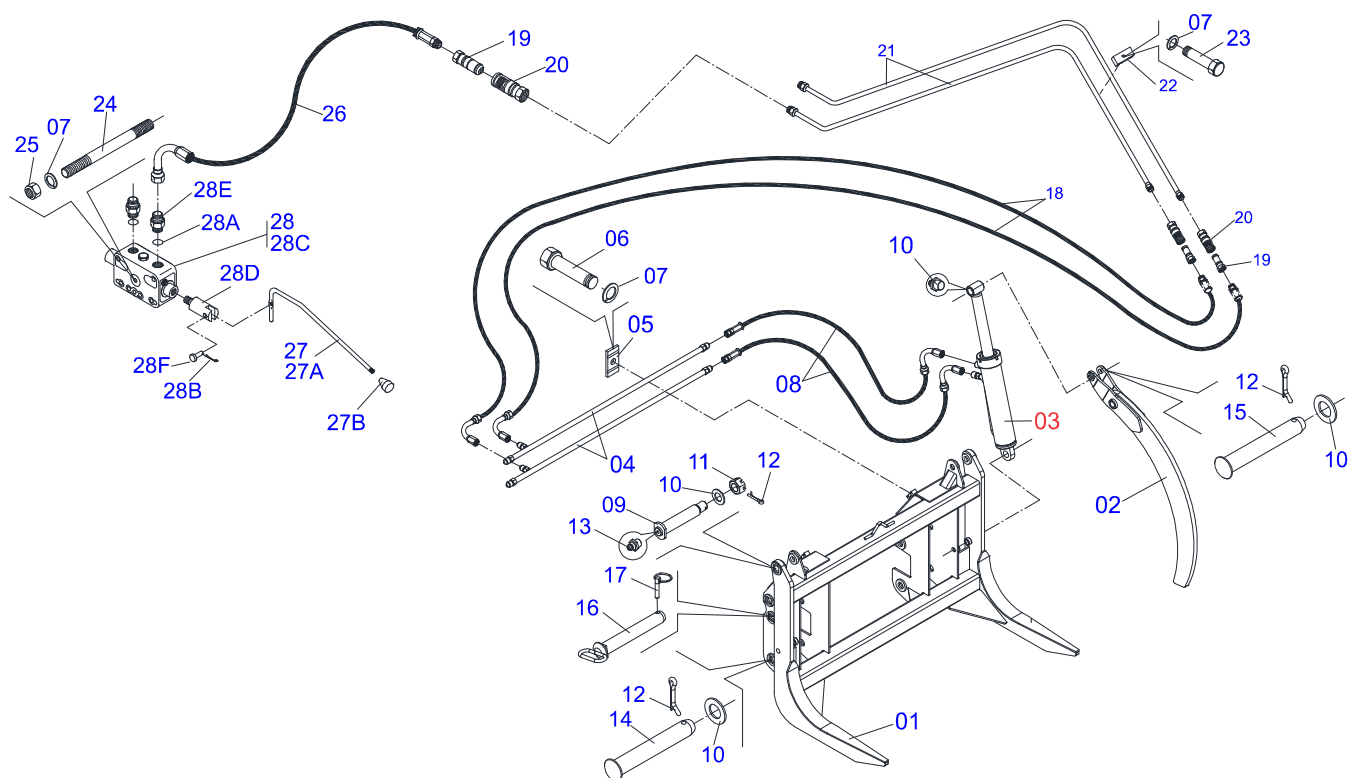


Item	Code	Description	See page	QT
001	0501059867	AGRICULTURAL CHARGER FORK - PCA 800/1100		01
01	0521061521	FIXER CLAW		001
02	0521061520	CLAW MOBILE		002
03	0511043335	HYDRAULIC CYLINDER		002
04	0521061522	OIL CONDUCTOR		002
05	0531011180	UPPER BODY CLIP		002
06	0503010237	3/8" X 1" BOLT		002
07	0503010025	3/8" SPRING WASHER		002
08	0501080465	3/8 X 400 TR-TC HOSE ASSY		004
09	0521061524	PIVOT SHAFT		002
10	0501011445	FLAT WASHER		004
11	0503030009	1" CASTLE NUT		002
12	0503010523	1/4" X 2" COTTERPIN		006
13	0503010002	1800 GREASE FITTING		004
14	0521010784	COUPLING SHAFT		002
15	0521010579	COUPLING SHAFT		002
16	0511060428	DRAWBOLT		004
17	0503030430	7/16 X 2" PIN LOCK		004
18	0501080652	3/8" X 78" TC-TM HOSE ASSY		002
19	0501053834	MALE QUICK COUPLER		002
20	0501053835	FEMALE QUICK COUPLER		004
21	0501068549	RIGHT OIL TUBE		001
22	0501068679	LEFT OIL TUBE		001
23	0502010477	HOSE CLAMP		006
24	0503010180	7/16" SPRING WASHER		006
25	0503012555	SCREW 7/16 UNC X 2 CS RT G.7 ZN		006
26	0501016988	3/8" X 3/8" X 10.6" STUD		004
27	0503010025	3/8" SPRING WASHER		008
28	0503010026	3/8" NUT		008
29	0501080473	3/8" X 120" TC-TM HOSE		002
30	0501047446	STARTER COMPLETE CONTROL		001



GCA - PD/PCA/PCA-T
AGRICULTURAL FORK LOADER

Item	Code	Description	See page	QT
30A	0501068681	1/2" CONTROL VALVE		001
30B	0503030878	LEVER CRANK		001
31	0501053055	1/2" CENTER BODY WITH 3/8" NIPPLES		001
31A	0503010045	O'RING		002
31B	0503010140	1/8" X 3/4" COTTERPIN		001
31C	0503010423	1/2" CENTER BODY		001
31D	0503030265	UPPER LEVER (PARKER 1/2")		001
31E	0511010111	7/8" NIPPLE		002
31F	0521010533	0.3" X 1" COUPLING SHAFT		001



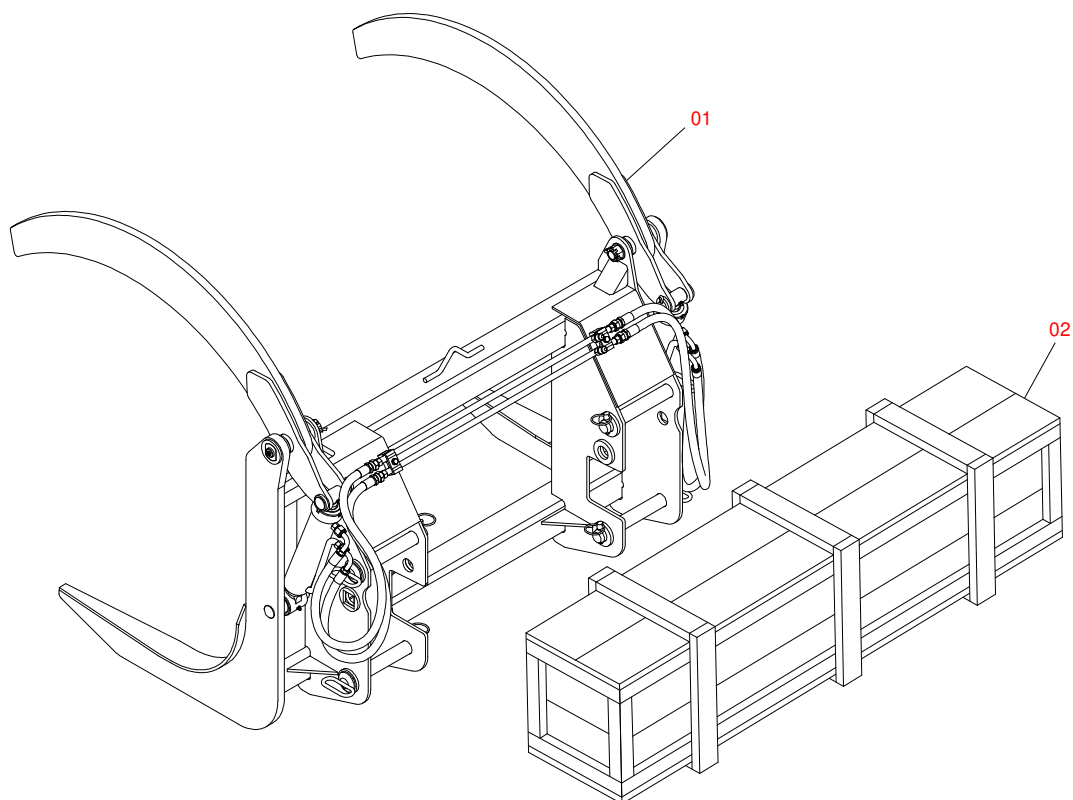
Item	Code	Description	See page	QT
001	0501059867	AGRICULTURAL CHARGER FORK - PCA 800/1100		01
01	0521061521	FIXER CLAW		001
02	0521061520	CLAW MOBILE		002
03	0511043335	HYDRAULIC CYLINDER		002
04	0521061522	OIL CONDUCTOR		002
05	0531011180	UPPER BODY CLIP		002
06	0503010237	3/8" X 1" BOLT		006
07	0503010025	3/8" SPRING WASHER		012
08	0501080465	3/8 X 400 TR-TC HOSE ASSY		004
09	0521061524	PIVOT SHAFT		002
10	0501011445	FLAT WASHER		04
11	0503030009	1" CASTLE NUT		002
12	0503010523	1/4" X 2" COTTERPIN		006
13	0503010002	1800 GREASE FITTING		004
14	0521010784	COUPLING SHAFT		002
15	0521010579	COUPLING SHAFT		002
16	0511060428	DRAWBOLT		004
17	0503030430	7/16 X 2" PIN LOCK		004
18	0501080652	3/8" X 78" TC-TM HOSE ASSY		002
19	0501053834	MALE QUICK COUPLER		002
20	0501053835	FEMALE QUICK COUPLER		004
21	0501069859	DISTRIBUTOR OIL TUBE		002
22	0502010477	HOSE CLAMP		006
23	0501010096	3/8" X 2" BOLT		003
24	0501016988	3/8" X 3/8" X 10.6" STUD		003
25	0503010026	3/8" NUT		008
26	0501080473	3/8" X 120" TC-TM HOSE		002
27	0501047446	STARTER COMPLETE CONTROL		001
27A	0501068681	1/2" CONTROL VALVE		001
27B	0503030878	LEVER CRANK		001
28	0511045104	CENTER BODY		001



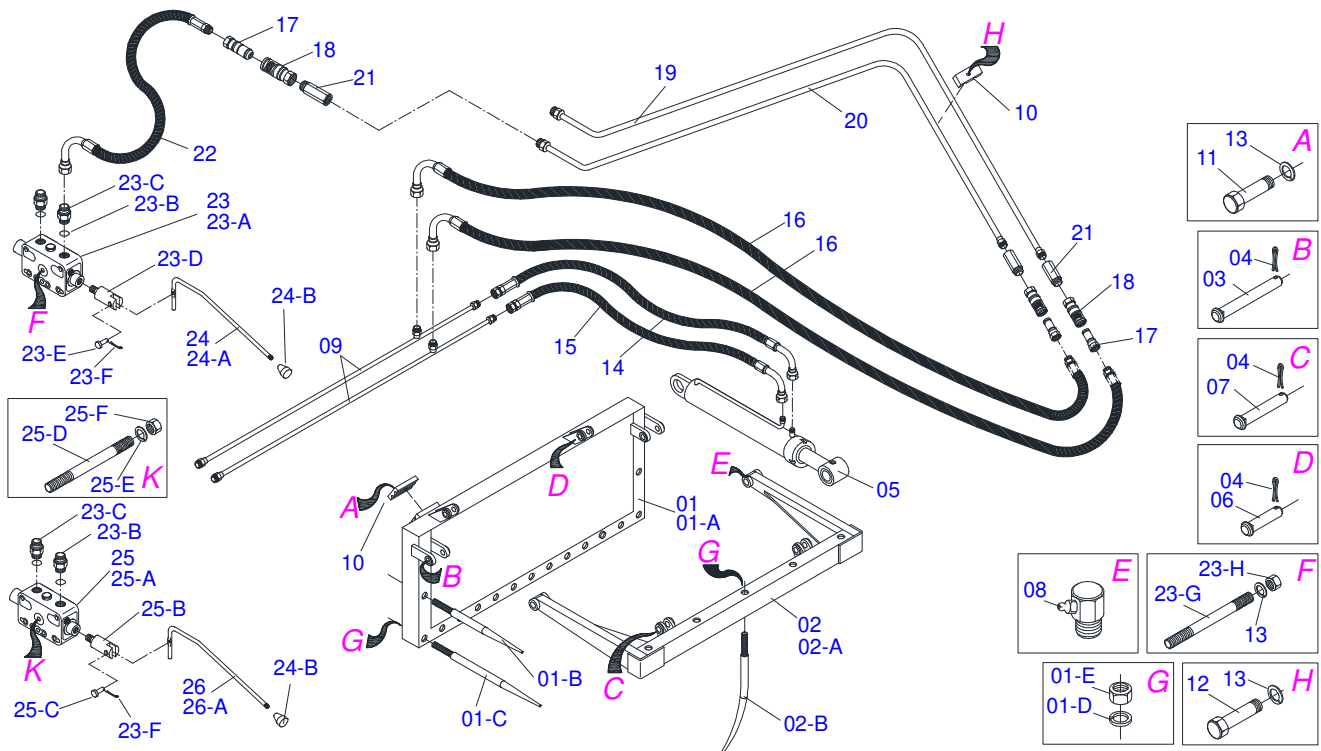
GCA - PD/PCA/PCA-T
AGRICULTURAL FORK LOADER

Page 2
0511048464

Item	Code	Description	See page	QT
28A	0503010045	O'RING		002
28B	0503010140	1/8" X 3/4" COTTERPIN		001
28C	0503010465	BODY CENTRAL 1/2"		001
28D	0503030347	UPPER LEVER ASSY (SAUER DANFOSS)		001
28E	0501010590	NIPPLE		002
28F	0521010533	0.3" X 1" COUPLING SHAFT		01



Item	Code	Description	See page	QT
01	0501059867	AGRICULTURAL CHARGER FORK - PCA 800/1100		01
02	0511025222	BOX WITH COMPONENTS - PCA 800/1100		01



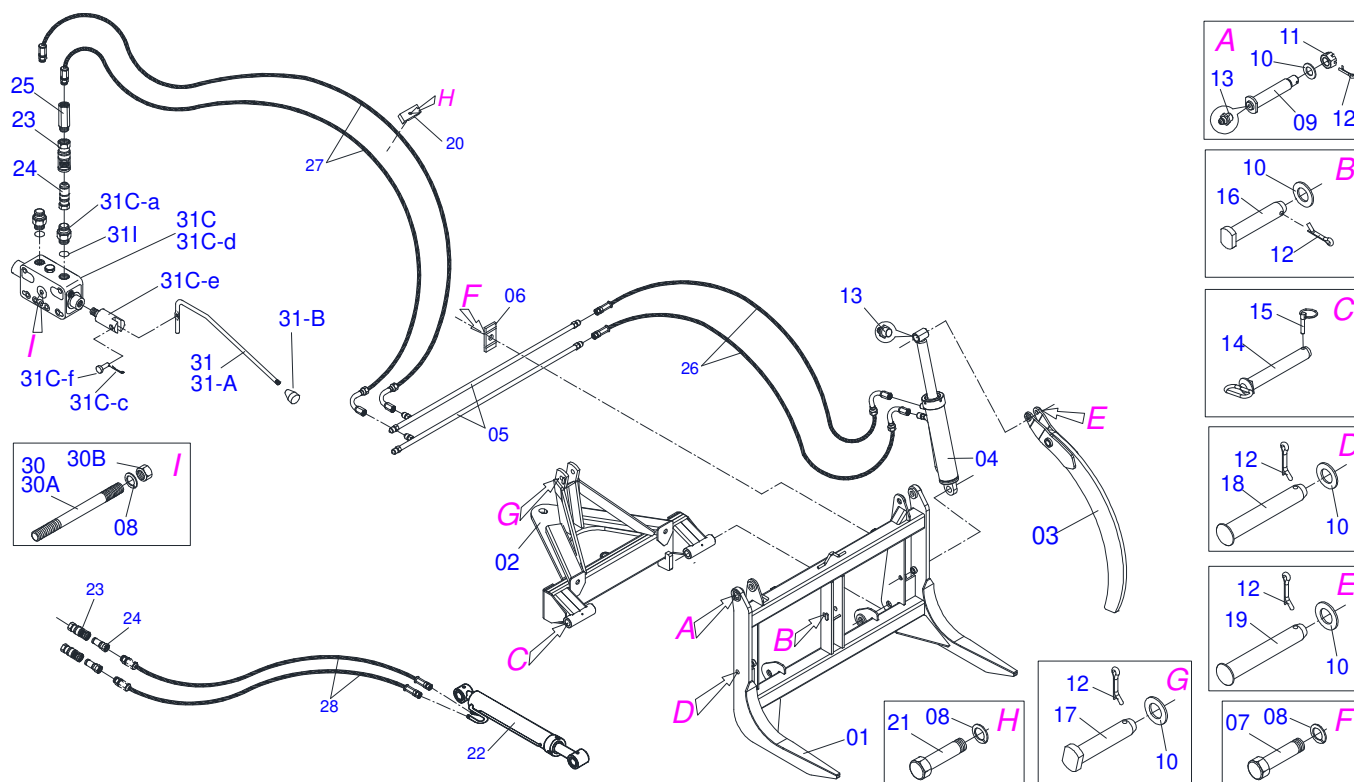
Item	Code	Description	See page	QT
001	0501059875			01
01	0521061536	FIXER CLAW		001
02	0511067992	SUPPORT FORK		001
03	0521061520	CLAW MOBILE		002
04	0501047447	HYDRAULIC CYLINDER		002
05	0521061522	OIL CONDUCTOR		002
06	0531011180	UPPER BODY CLIP		002
07	0503010237	3/8" X 1" BOLT		002
08	0503010025	3/8" SPRING WASHER		002
09	0521061524	PIVOT SHAFT		002
10	0501011445	FLAT WASHER		006
11	0503030009	1" CASTLE NUT		002
12	0503010523	1/4" X 2" COTTERPIN		008
13	0503010002	1800 GREASE FITTING		004
14	0511060428	DRAWBOLT		002
15	0503030430	7/16 X 2" PIN LOCK		002
16	0521010785	COUPLING SHAFT		001
17	0511016155	PIN		001
18	0521010784	COUPLING SHAFT		002
19	0521010579	COUPLING SHAFT		002
20	0502010477	HOSE CLAMP		006
21	0503010751	C3/8" X 1.1/4" HEX BOLT G.5		006
22	0501044372	HYDRAULIC CYLINDER		001
23	0501053835	FEMALE QUICK COUPLER		004
24	0501053834	MALE QUICK COUPLER		004
25	0511010111	7/8" NIPPLE		002
26	0501080465	3/8 X 400 TR-TC HOSE ASSY		004
27	0501080652	3/8" X 78" TC-TM HOSE ASSY		002
28	0501080364	TR-TM HOSE ASSY		002
29	0531013604	PRISONER 3/8 UNC X 3/8 UNC X 250		003
30	0501047852	COMPLETE CONTROLLER		001



GCA - PD/PCA/PCA-T
AGRICULTURAL FORK LOADER

Page 4
0511048501

Item	Code	Description	See page	QT
30A	0501069069	CONTROL VALVE (V 985-4/AX 4.75)		001
30B	0503030878	LEVER CRANK		001
30C	0501040501	CENTER BODY ASSY		001
30Ca	0501010590	NIPPLE		002
30Cb	0503010045	O'RING		002
30Cc	0503010465	BODY CENTRAL 1/2"		001
30Cd	0503030347	UPPER LEVER ASSY (SAUER DANFOSS)		001
30Ce	0503030265	UPPER LEVER (PARKER 1/2")		001
30Cf	0503010140	1/8" X 3/4" COTTERPIN		001



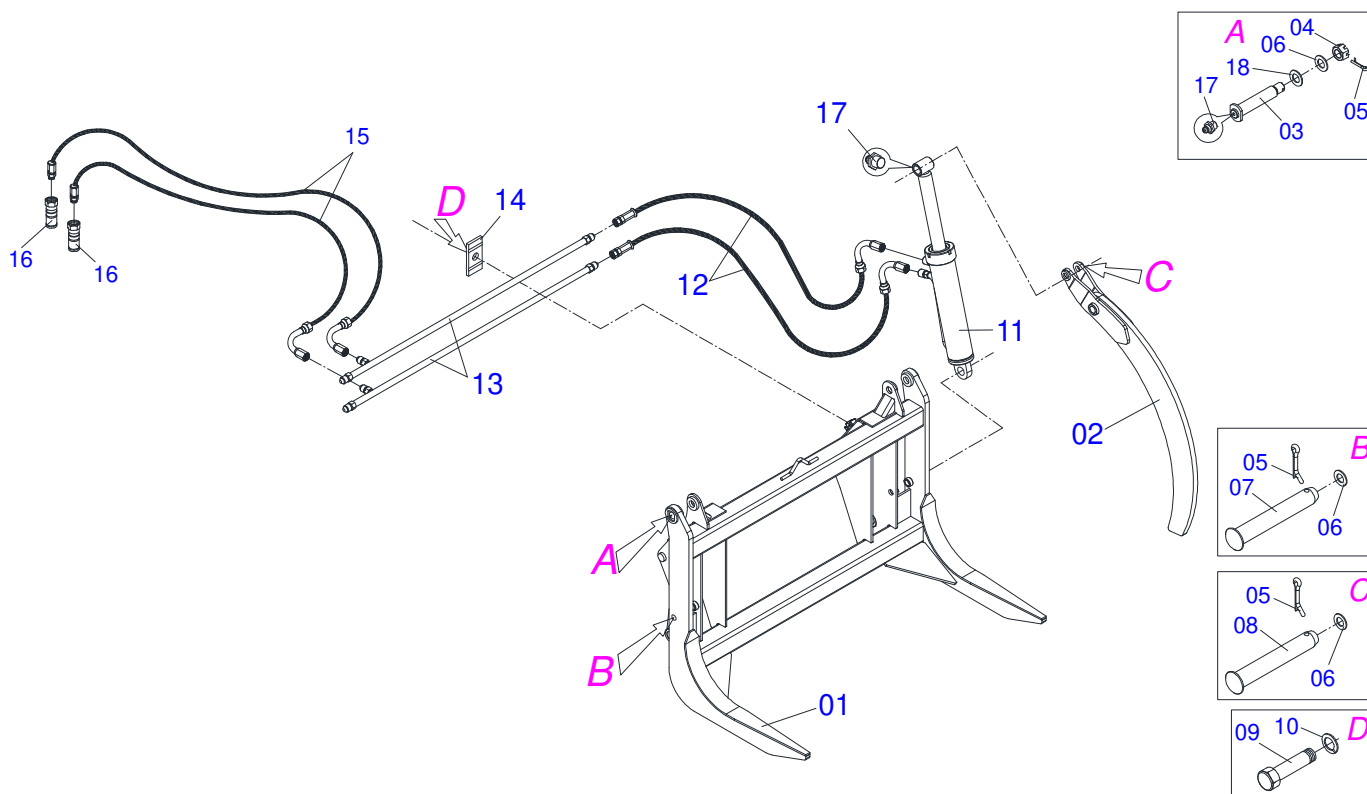
Item	Code	Description	See page	QT
01	0501059875			001
01.	0521061536	FIXER CLAW		001
02	0511067992	SUPPORT FORK		001
03	0521061520	CLAW MOBILE		002
04	0501047447	HYDRAULIC CYLINDER		002
05	0521061522	OIL CONDUCTOR		002
06	0531011180	UPPER BODY CLIP		002
07	0503010237	3/8" X 1" BOLT		002
08	0503010025	3/8" SPRING WASHER		012
09	0521061524	PIVOT SHAFT		002
10	0501011445	FLAT WASHER		006
11	0503030009	1" CASTLE NUT		002
12	0503010523	1/4" X 2" COTTERPIN		008
13	0503010002	1800 GREASE FITTING		004
14	0511060428	DRAWBOLT		002
15	0503030430	7/16 X 2" PIN LOCK		002
16	0521010785	COUPLING SHAFT		001
17	0511016155	PIN		001
18	0521010784	COUPLING SHAFT		002
19	0521010579	COUPLING SHAFT		002
20	0502010477	HOSE CLAMP		006
21	0503010751	C3/8" X 1.1/4" HEX BOLT G.5		006
22	0501044372	HYDRAULIC CYLINDER		001
23	0501053835	FEMALE QUICK COUPLER		004
24	0501053834	MALE QUICK COUPLER		004
25	0511010111	7/8" NIPPLE		002
26	0501080465	3/8 X 400 TR-TC HOSE ASSY		004
27	0501080652	3/8" X 78" TC-TM HOSE ASSY		002
28	0501080364	TR-TM HOSE ASSY		002
29	0501041923			002
29A	0501016988	3/8" X 3/8" X 10.6" STUD		001
29B	0503010026	3/8" NUT		002



GCA - PD/PCA/PCA-T
AGRICULTURAL FORK LOADER

Page 5
0511048500

Item	Code	Description	See page	QT
30	0501047852	COMPLETE CONTROLLER		001
30A	0501069069	CONTROL VALVE (V 985-4/AX 4.75)		001
30B	0503030878	LEVER CRANK		001
30C	0501052910	CENTER BODY		001
30Ca	0501010590	NIPPLE		002
30Cb	0503010045	O'RING		002
30Cc	0503010423	1/2" CENTER BODY		001
30Cd	0503030265	UPPER LEVER (PARKER 1/2")		001
30Ce	0521010533	0.3" X 1" COUPLING SHAFT		001
30Cf	0503010140	1/8" X 3/4" COTTERPIN		001



Item	Code	Description	See page	QT
01	0521061807	FIXER CLAW		01
02	0521061520	CLAW MOBILE		02
03	0521061524	PIVOT SHAFT		02
04	0503030009	1" CASTLE NUT		02
05	0503010523	1/4" X 2" COTTERPIN		06
06	0561017065	FLAT WASHER		02
07	0521010585	0.9" X 5.9" COUPLING SHAFT		02
08	0521010579	COUPLING SHAFT		02
09	0503010237	3/8" X 1" BOLT		02
10	0503010025	3/8" SPRING WASHER		02
11	0501047447	HYDRAULIC CYLINDER		02
12	0501080465	3/8 X 400 TR-TC HOSE ASSY		04
13	0521062200	OIL CONDUCTOR		02
14	0531011180	UPPER BODY CLIP		02
15	0501080652	3/8" X 78" TC-TM HOSE ASSY		02
16	0501053834	MALE QUICK COUPLER		02
17	0503010002	1800 GREASE FITTING		04
18	0501011445	FLAT WASHER		02



MARCHESAN

Technical Publications | Elaboration and Revision

JOSÉ DOMINGOS GASPARI

www.marchesan.com.br

