

PCA - AGRICULTURAL FRONT LOADER

PCA 800 VALTRA BM 110/125I-4 SHT CD

Code: 0501091096

Series: S-1007

Revision: 00

Date Revision: ABRIL/2022

PARTS CATALOGUE



MARCHESAN



PRODUCTS

Code	Description
0106110853	PCA 800

ATTENTION: IMPORTANT

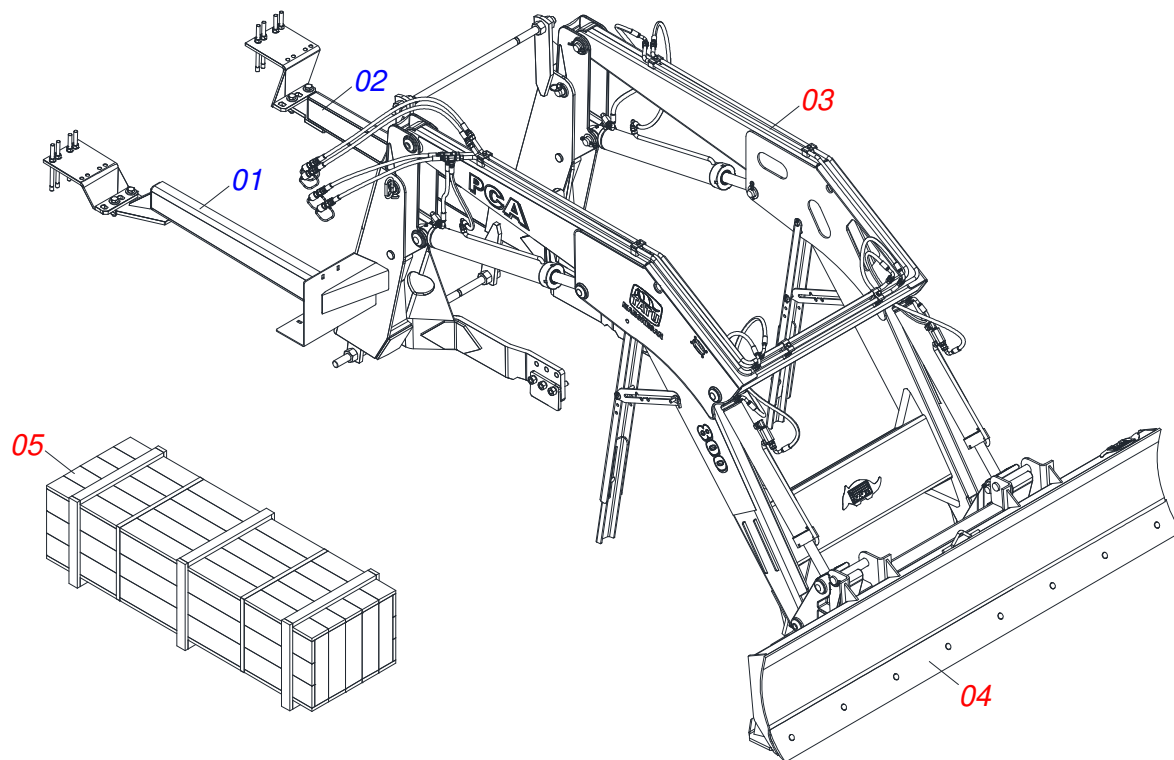
Marchesan S.A. reserves the right to improve and/or modify the technical features of its products, without obligation to do the same with those products already sold and without prior knowledge of the dealer or the consumer. The photos are only illustrative.



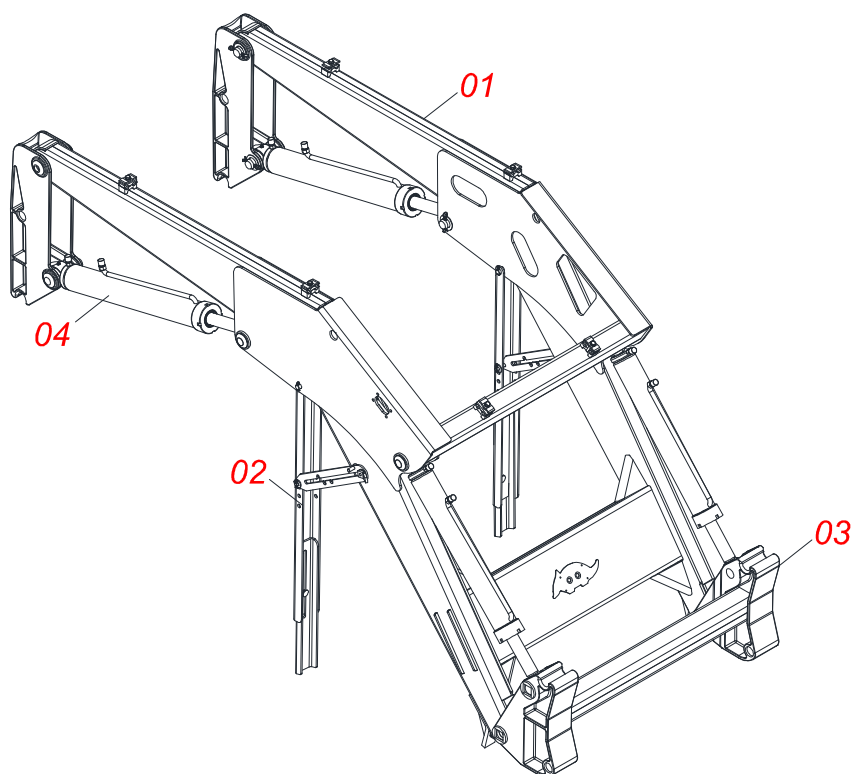
MARCHESAN

INDEX

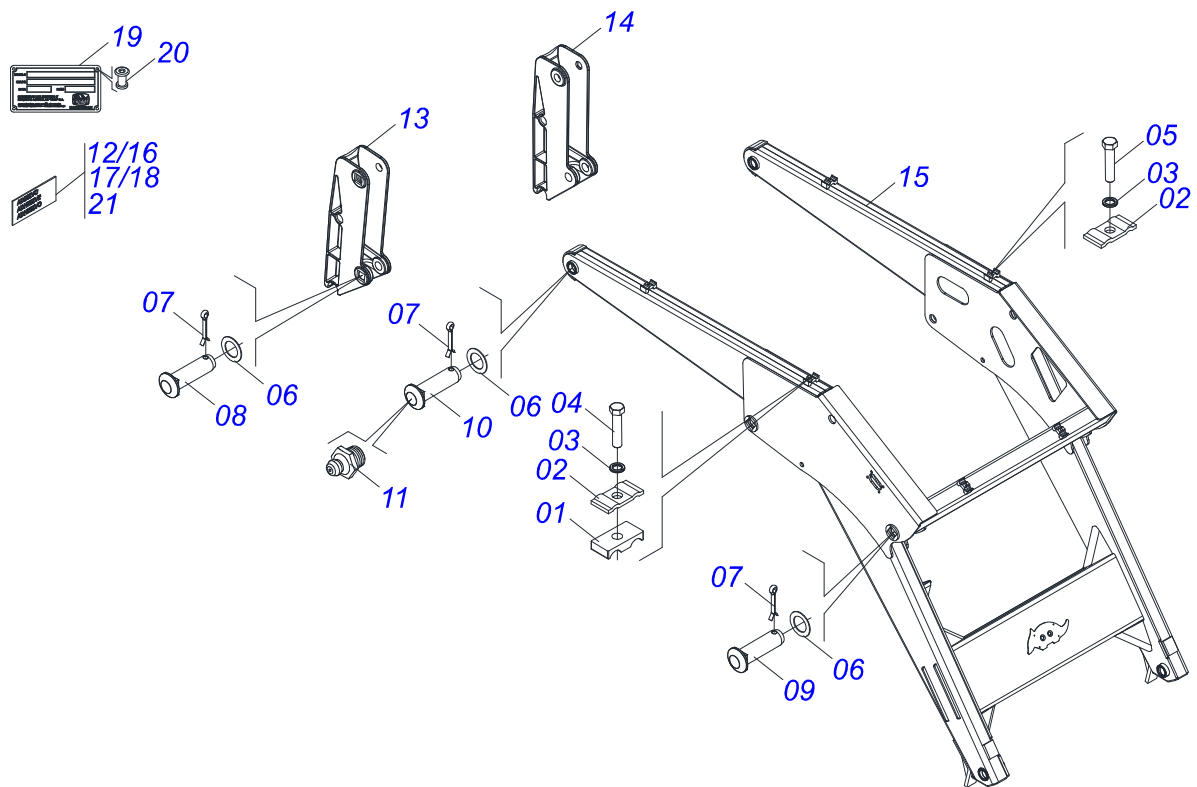
0106110853	PCA 800	1
0511046400	MOBILE SUPPORT ASSY	2
0909095840	MOBILE SUPPORT	3
0909095854	REST OF MOVEL SUPPORT	4
0909095428	ARTICULATION	5
0909095856	HYDRAULIC SYSTEM	6
0511057973	HIDRAULIC CYLINDER 44,45 X 76,20 X 820 X 551	7
0511057974	44,45 X 85,72 X 870 X 593 HYDRAULIC CYLINDER	8
0511057772	SECURITY VALVE ASSY	9
0501053834	MALE QUICK COUPLER	10
0511043382	DOZER BLADE 2400	11
0511023024	BOX WITH COMPONENTS	12
0501047807	OIL RESERVOIR ASSY	13
0501041108	RETURNING FILTER ASSY	14
0501059952	DOBLE COMMAND 1/2 HIDROV/DANFOSS ASSY	15
0501048023	CONTROL VALVE	16
0501043212	ROD 1.1/4" NC X 3.818" ASSY	17
0501057991	PUMP WITH TUBE	18
0501036482	PACKED PARTS	19
0501053835	FEMALE QUICK COUPLER	20



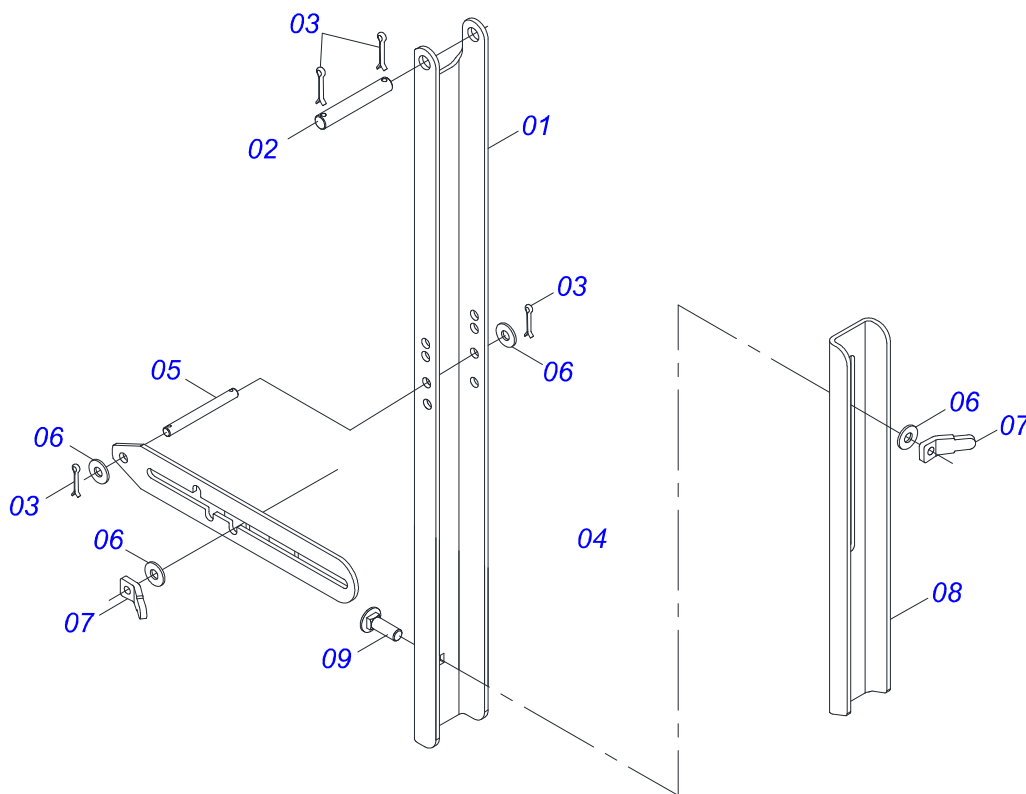
Item	Code	Description	See page	QT
01	0511069359	RIGHT FRAME		01
02	0511069361	LEFT FRAME PCA		01
03	0511046400	MOBILE SUPPORT ASSY	2	01
04	0511043382	DOZER BLADE 2400	11	01
05	0511023024	BOX WITH COMPONENTS	12	01



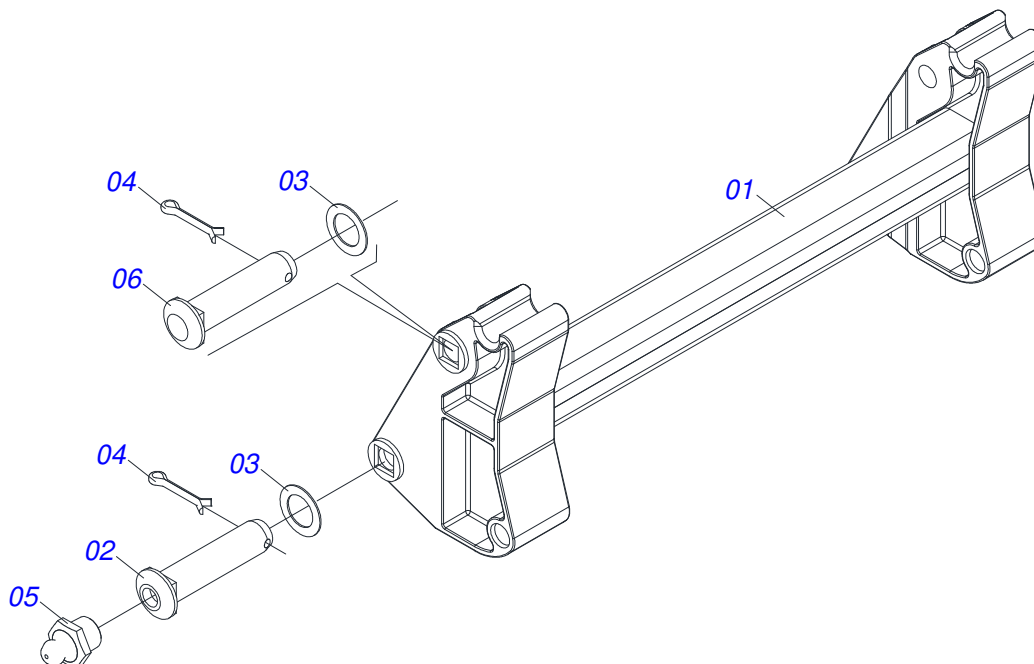
Item	Code	Description	See page	QT
01	0909095840	MOBILE SUPPORT	3	01
02	0909095854	REST OF MOVEL SUPPORT	4	01
03	0909095428	ARTICULATION	5	01
04	0909095856	HYDRAULIC SYSTEM	6	01



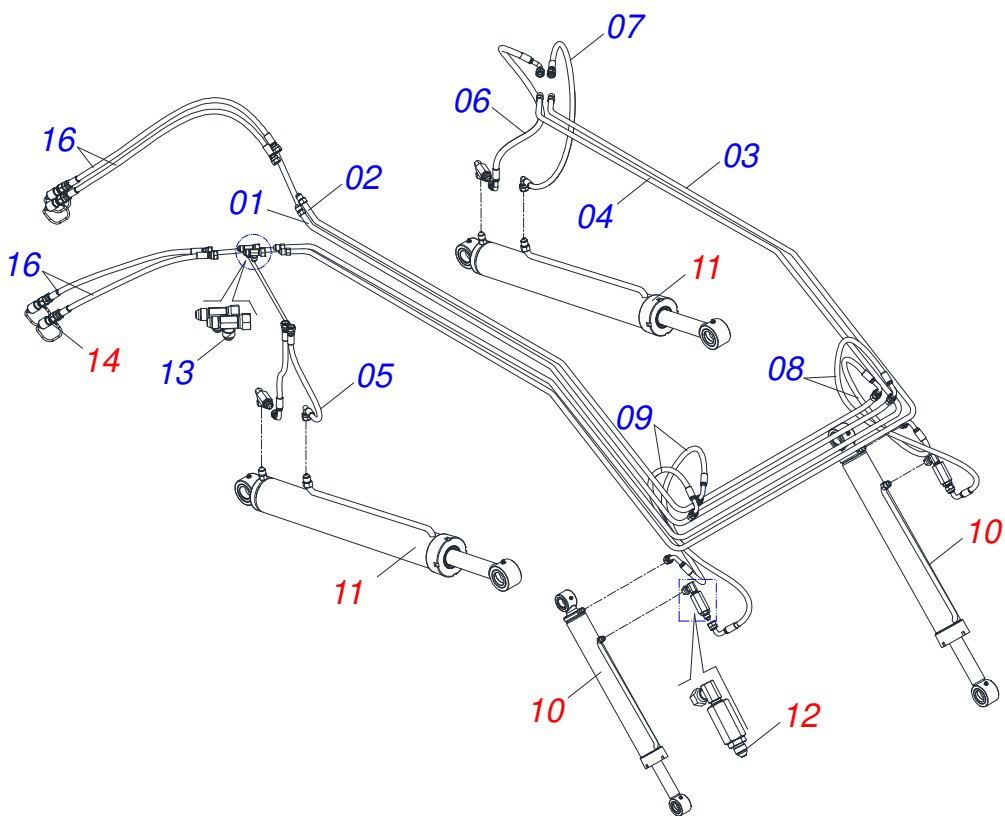
Item	Code	Description	See page	QT
01	0502010477	HOSE CLAMP	04	
02	0503011180	UPPER CLAMP BODY	06	
03	0503010180	7/16" SPRING WASHER	06	
04	0503012555	SCREW 7/16 UNC X 2 CS RT G.7 ZN	04	
05	0503011102	BOLT 7/16 UNC X 1.1/4 C S G.5 ZN	02	
06	0511019685	FLAT WASHER	08	
07	0503010534	3/8 X 2-1/2 COTTERPIN	08	
08	0521012869	COUPLING SHAFT	02	
09	0521012868	1.4" X 5" PIVOT SHAFT	04	
10	0521012870	1.46" X 6.18" PIVOT SHAFT	02	
11	0503010002	1800 GREASE FITTING	02	
12	0503062217	SET LABEL ADHESIVE	01	
13	0502012472	MOBILE TOWER	01	
14	0502012473	LEFT MOBILE TOWER	01	
15	0511066050	MOBILE SUPPORT	01	
16	0503031087	ADHESIVE LABEL	01	
17	0503031428	READ MANUAL DECAL	01	
18	0503031827	LUBRICATE AND RETIGHTEN DAILY DECAL	01	
19	0503034003	SERIAL NUMBER TAG 61 X 118	01	
20	0503010001	3.2 X 5.5 RIVET	04	
21	0503034078	LIFTING POINTS DECAL	01	



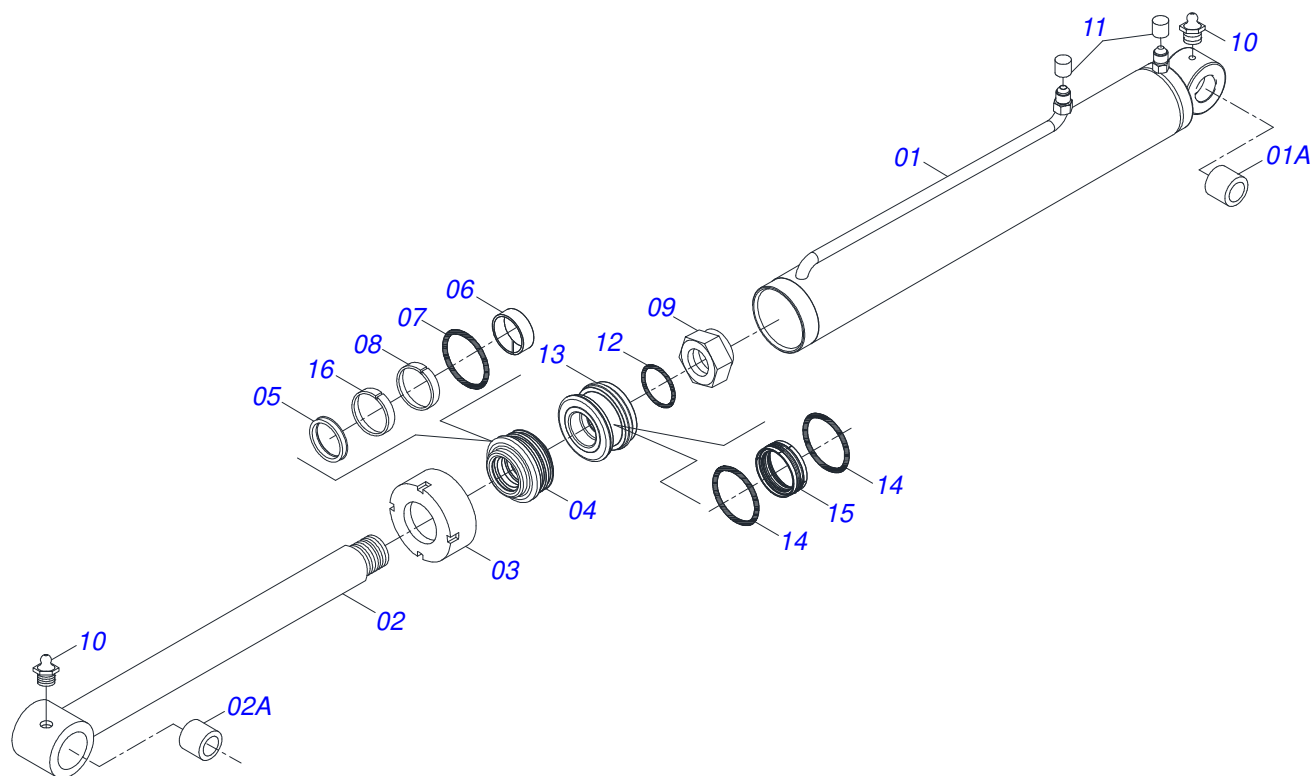
Item	Code	Description	See page	QT
01	0561016401	PLOUGH SUPPORT BODY		02
02	0511013598	3/4" X 4.7" COUPLING SHAFT		02
03	0503010071	3/16" X 1" COTTERPIN		08
04	0511019634	CONTROL LOCK		02
05	0521012823	COUPLING SHAFT		02
06	0511017302	FLAT WASHER		08
07	0561016329	LATCH HOLDER REST PCA		04
08	0561016619	COMPLEMENTON REST		02
09	0503014378	1/2" X 1-1/2" BOLT		02



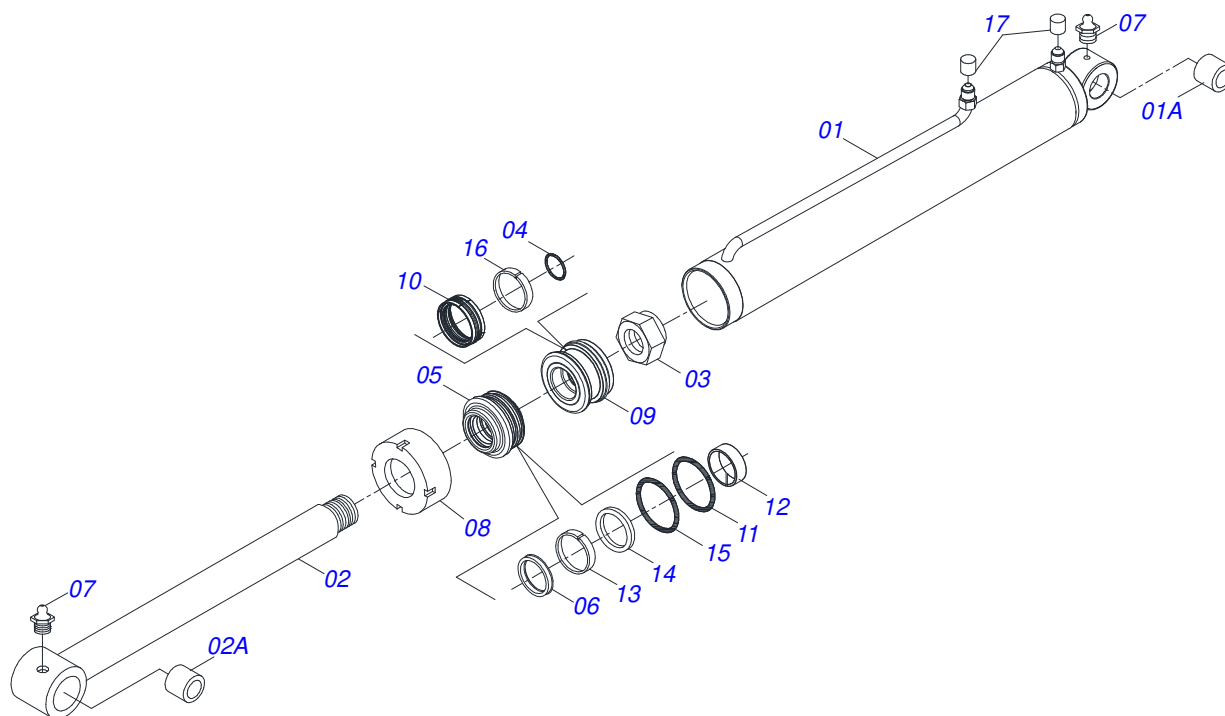
Item	Code	Description	See page	QT
01	0501069939	PIVOT SUPPORT		01
02	0521012870	1.46" X 6.18" PIVOT SHAFT		02
03	0511019685	FLAT WASHER		04
04	0503010534	3/8 X 2-1/2 COTTERPIN		04
05	0503010002	1800 GREASE FITTING		02
06	0521012869	COUPLING SHAFT		02



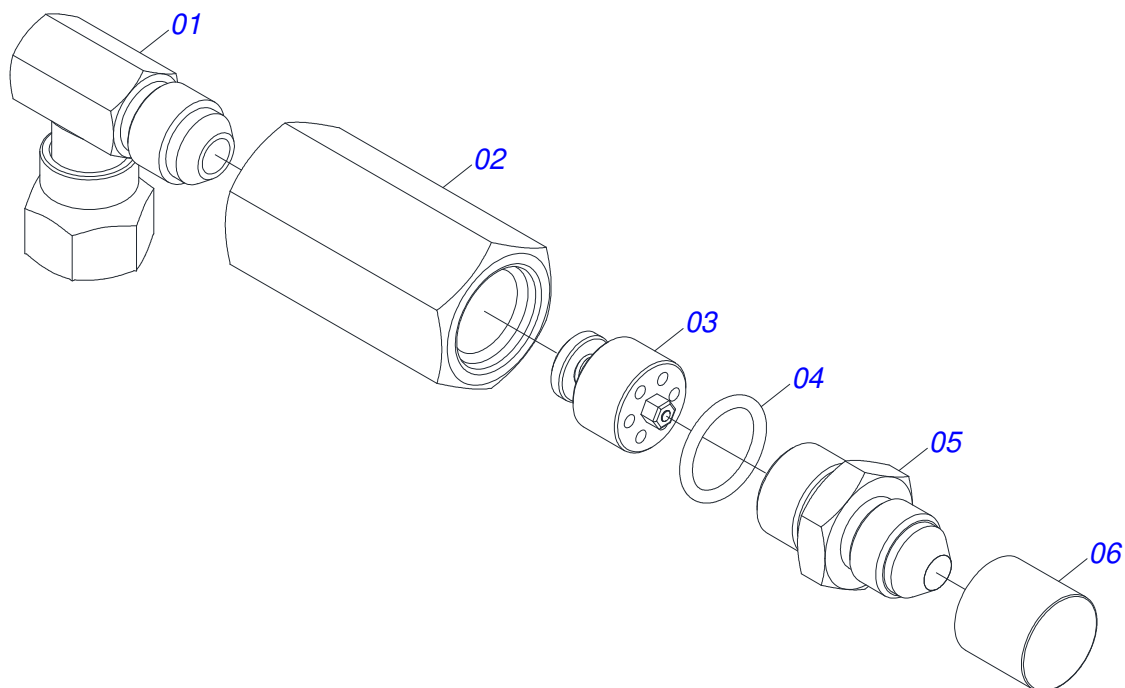
Item	Code	Description	See page	QT
01	0501069857	RIGHT RIGHT OIL TUBE		01
02	0501069858	LH RIGHT OIL TUBE		01
03	0521061821	OUTER DISTRIBUTOR TUBE OIL		01
04	0521061820	INNER DISTRIBUTOR TUBE OIL		01
05	0501080150	3/8 X 800 TR-TC HOSE		02
06	0501080766	3/8" X 27.56" TC-TC HOSE		01
07	0501080105	3/8 X 700 TR-TR HOSE		01
08	0501080688	3/8" X 25" TC-TC 90G HOSE		01
09	0501080777	LH 3/8" X 25.9" TC-TC HOSE		01
10	0511057974	44,45 X 85,72 X 870 X 593 HYDRAULIC CYLINDER	8	02
11	0511057973	HIDRAULIC CYLINDER 44,45 X 76,20 X 820 X 551	7	02
12	0511057772	SECURITY VALVE ASSY	9	04
13	0503011968	3/4" 8R6X-S T ADAPTER WITH SWIVEL NUT		02
14	0501053834	MALE QUICK COUPLER	10	04
15	0501080745	3/8" X 25" TC-TC HOSE ASSY		02
16	0501080796	1/2" X 1400 TC-TM HOSE		04



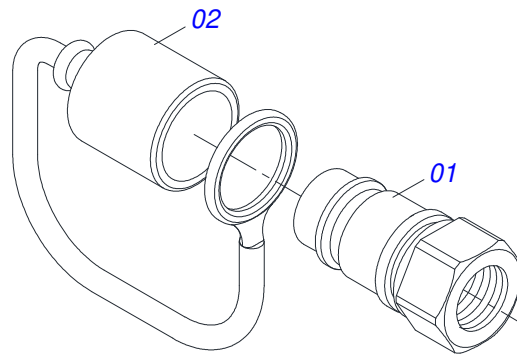
Item	Code	Description	See page	QT
01	0521066381	CYLINDER CASE 76,20 X 723		01
01A	0501110275	BUSHING COUPLING 75 X 38,1 X 50		02
02	0511065578	1.7" X 28.18" TURNBUCLE		01
03	0502012264	RING SUPPORT 1.75" X 3"		01
04	0503010761	D-1750 SCRAPER RING		01
05	0503010949	W2-2000-500 PK RING G.E		01
06	0503010343	2-334 N 3006-9B O'RING		01
07	0503011059	8-334 BACK-UP RING		01
08	0503010063	1" SELF-ALIGNING NUT		01
09	0503010002	1800 GREASE FITTING		02
10	0503030385	CYLINDER PLUG N-002		02
11	0503010042	2-214 N 3006-9B O'RING		01
12	0581010304	PISTON		01
13	0503018138	RING BS		02
14	0503018140	RING GUIDE		01
15	0503017937	GASKET		01
16	0502011899	MOBILE COVER		01
17	0511032725	HYDRAULIC CYLINDER REPAIR KIT		



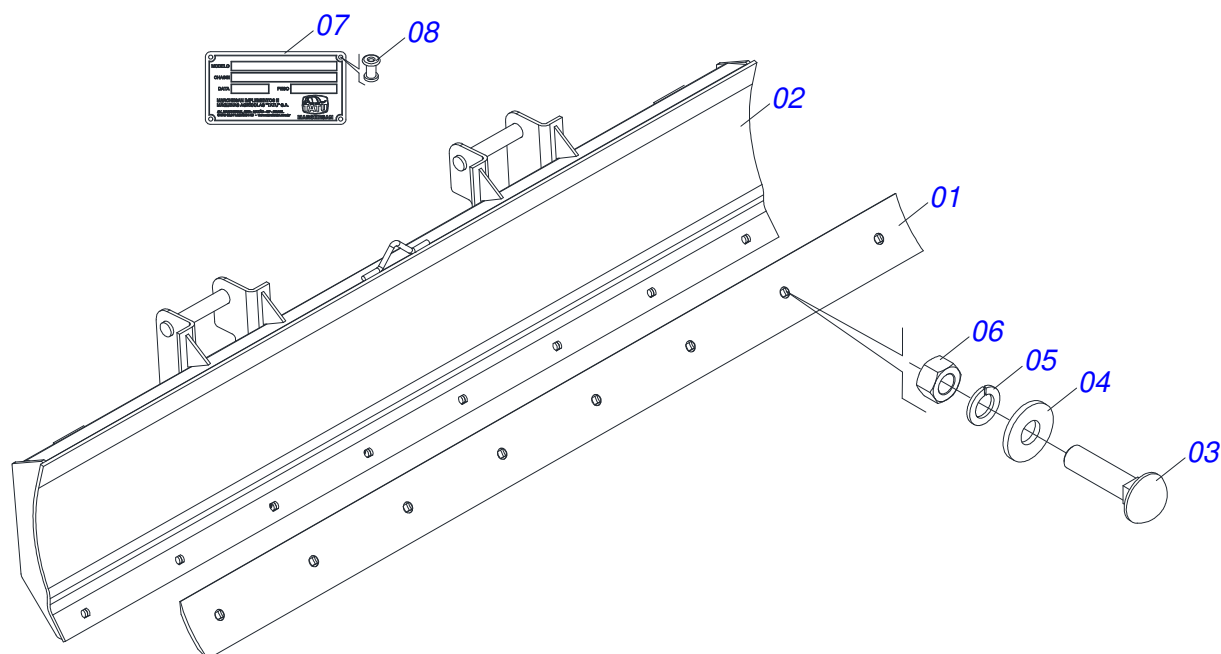
Item	Code	Description	See page	QT
01	0511069198	BODY SHIRT WITH MAKING		01
01A	0521010514	38,1 X 52,9 X 50 SLEEVE INTER		02
02	0521066404	44,45 X 772 TURNBUCKLE		01
03	0503010063	1" SELF-ALIGNING NUT		01
04	0503010042	2-214 N 3006-9B O'RING		01
05	0571019711	RING SUPPORT		01
06	0503010761	D-1750 SCRAPER RING		01
07	0503010002	1800 GREASE FITTING		02
08	0571019709	DETACHABLE COVER		01
09	0571019710	1.7" X 3.4" PISTON		01
10	0503017935	RING		01
11	0503017936	RING		01
12	0503017938	RING GUIDE		01
13	0503017937	GASKET		01
14	0503017940	8-337 BACK-UP RING		02
15	0503017939	2-337 N 3006-9B O' RING		02
16	0503018144	RING		01
17	0503030385	CYLINDER PLUG N-002		02
18	0511032784	HYDRAULIC CYLINDER REPAIR KIT		01



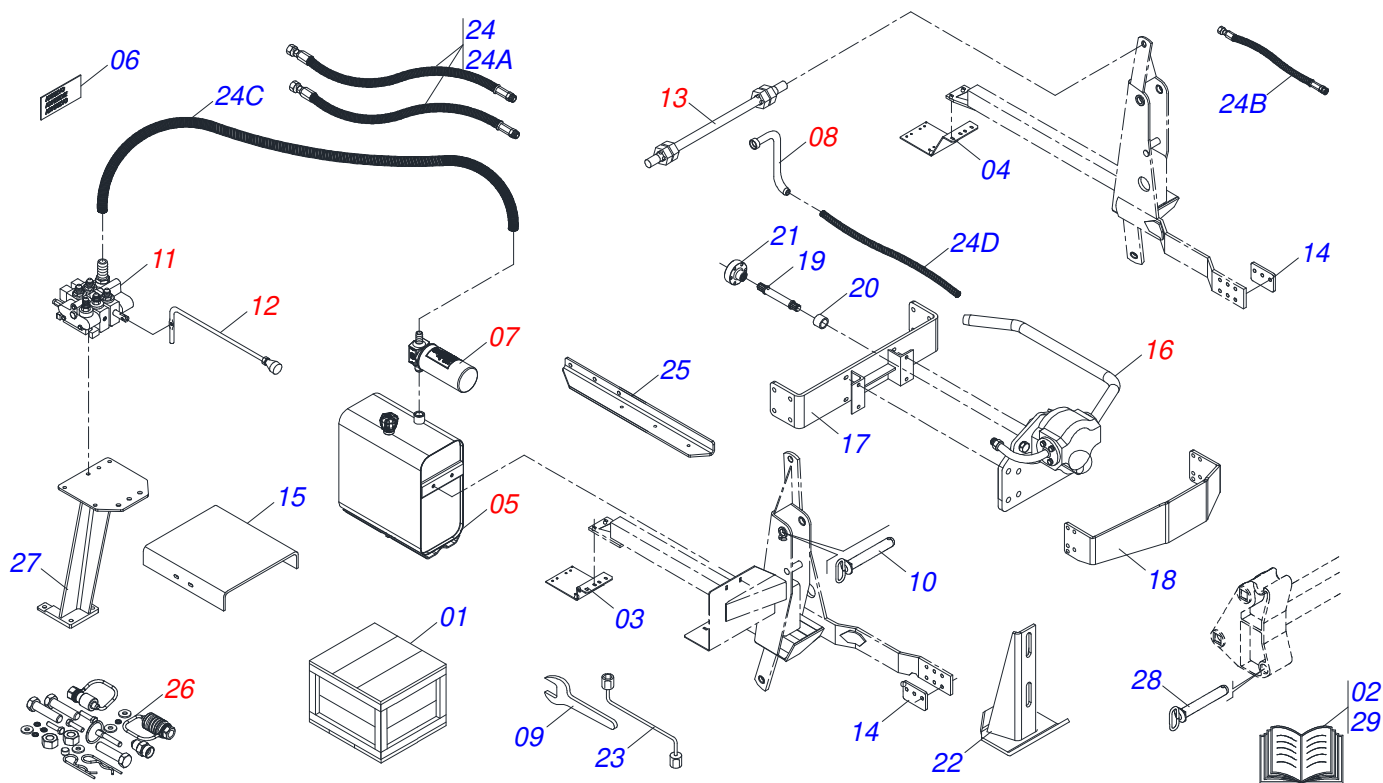
Item	Code	Description	See page	QT
01	0503018034	MALE KNEE JIC		01
02	0581014055	ADAPTER		01
03	0503016854	VALVE ASSY		01
04	0503010045	O'RING		01
05	0581014054	BSP 1/2" NIPPLE		01
06	0503030385	CYLINDER PLUG N-002		01



Item	Code	Description	See page	QT
01	0503011627	MALE QUICK COUPLER AGR 1/2 NPT		01
02	0503011882	MALE QUICK COUPLER CAP		01



Item	Code	Description	See page	QT
01	0622360016	94.5" SCRAPER REVERSIBLE		01
02	0501069112	2400MM DOZER BLADE		01
03	0501812240	BOLT		08
04	0501812140	FLAT WASHER		08
05	0503011445	SPRING WASHER		08
06	0503810013	NUT 5/8 NC		08
07	0503034003	SERIAL NUMBER TAG 61 X 118		01
08	0503010001	3.2 X 5.5 RIVET		04



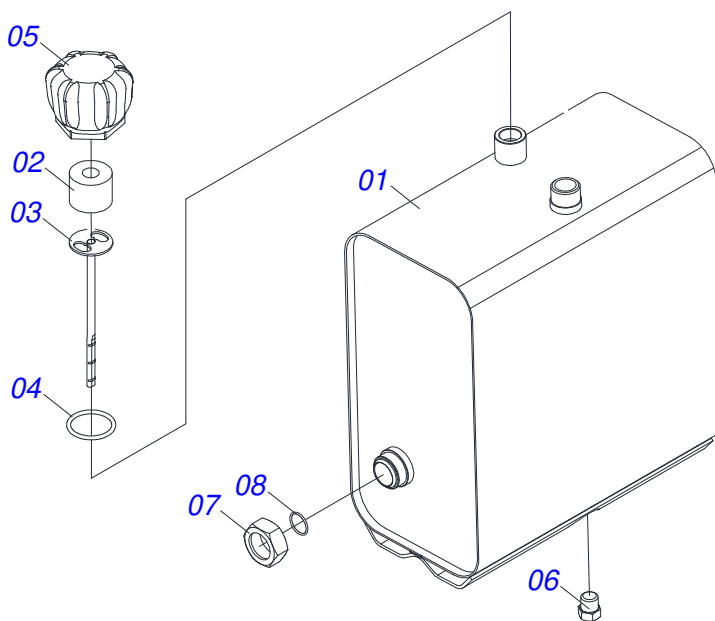
Item	Code	Description	See page	QT
01	0501100504	BOX		01
02	0511032439	BAG WITH INSTRUCTION MANUAL		01
03	0501063145	RH FRAME BRACKET		01
04	0501063146	LH FRAME BRACKET		01
05	0501047807	OIL RESERVOIR ASSY	13	01
06	0503030770	ADHESIVE LABEL		01
07	0501041108	RETURNING FILTER ASSY	14	01
08	0511069110	TANK OUTER TUBE		01
09	0511010153	2-5/16" FIXED WRENCH		01
10	0511064410	1.5" X 8.1" COUPLING SHAFT		02
11	0501059952	DOBLE COMMAND 1/2 HIDROV/DANFOSS ASSY	15	01
12	0501048023	CONTROL VALVE	16	02
13	0501043212	ROD 1.1/4" NC X 3.818" ASSY	17	02
14	0531016041	BEATER		02
15	0531013185	SUPPORT HOSE PROTECTION		01
16	0501057991	PUMP WITH TUBE	18	01
17	0511069821	FRONTAL SUPPORT		01
18	0521015168	FRONT PROTECTOR PUMP		01
19	0501068927	565 X 1.1/8 STRIATED X 1.1/8-30G AXLE		01
20	0503030838	1-1/8" X 2.4" SLEEVE		01
21	0501067327	COUPLING FLANGE		01
22	0501063411	ESTABILIZER BRACKET		02
23	0501068213	5/8" WRENCH DOUBLE		01
24	0501058011	HOSE KIT		01
24A	0501080849	1/2" X 2100 TR-TM HOSE		04
24B	0501081514	3/4 X 4400 TR-TR HOSE ASSY		01
24C	0551013650	1" X 1300 AB-AB HOSE ASSY		01
24D	0551016347	1.1/4 X 2100 AB-AB HOSE ASSY		01
25	0561019292	SUPPORT FIXER BOX OF TOOLS		01
26	0501036482	PACKED PARTS	19	01
27	0521061623	SUPPORT CONTROL VALVE		01



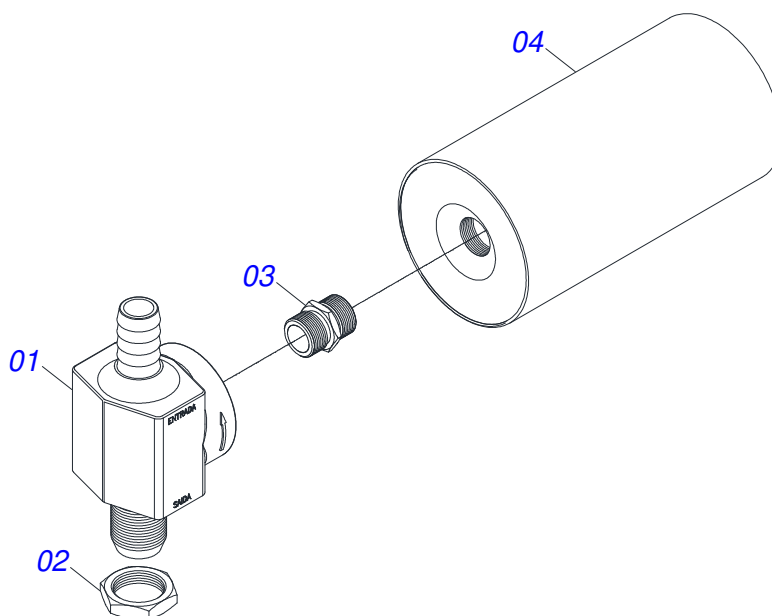
PCA 800 VALTRA BM 110/125I-4 SHT CD
BOX WITH COMPONENTS

Page 12
0511023024

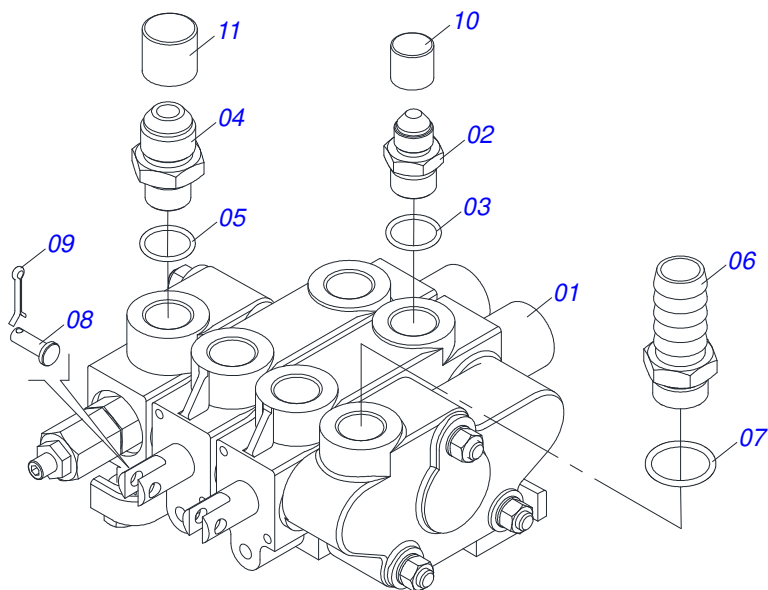
Item	Code	Description	See page	QT
28	0521066515	37,20 X 240 ARTICULATION SHAFT WITH HANDLE		02
29	0501038749	BAG WITH INSTRUCTION MANUAL		01



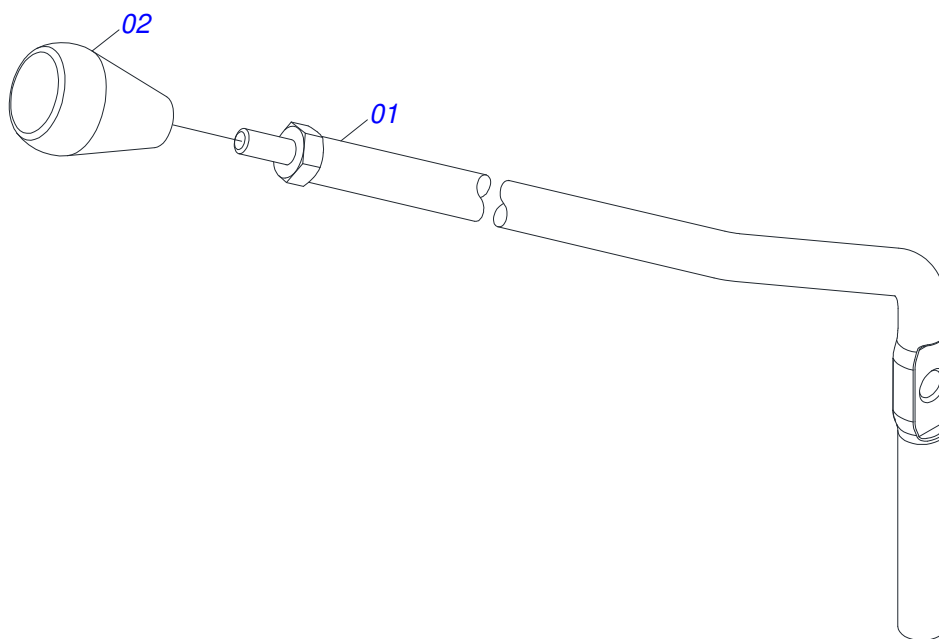
Item	Code	Description	See page	QT
01	0501068880	OIL RESERVOIR		01
02	0503030044	FILTERING ELEMENT		01
03	0501060975	OIL GAGE		01
04	0503010185	2-221 N 3006-9B O'RING		01
05	0502020472	FRONTAL COVER		01
06	0503031604	1/2" BSP PLUG		01
07	0501016309	2" 1X 2.5/16" NUT		01
08	0503010046	2-216 N 3006-9B O'RING		01



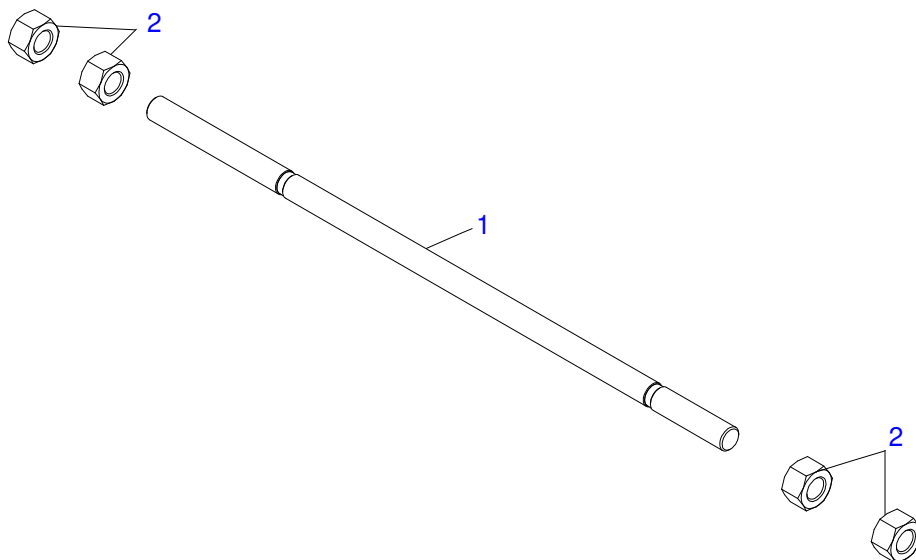
Item	Code	Description	See page	QT
01	0502050002	RETURNING FILTER HEAD		01
02	0501010594	1" NUT		01
03	0501010595	1" NF NIPPLE		01
04	0503010183	RETURNING FILTER		01



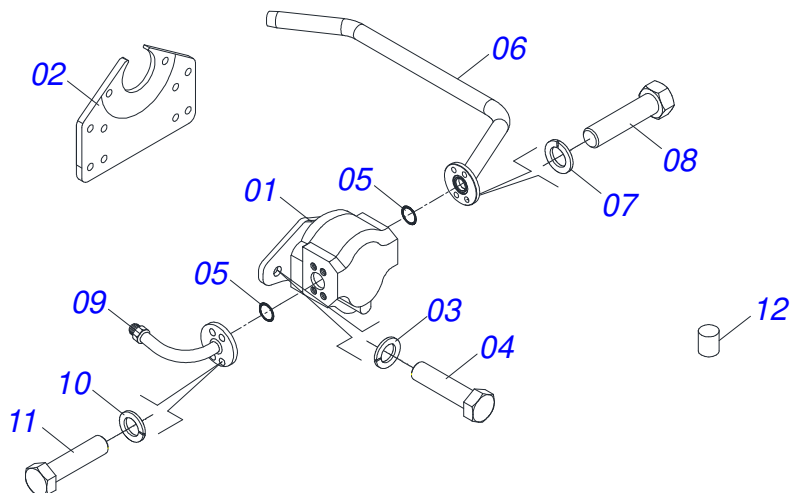
Item	Code	Description	See page	QT
01	0503060016	1/2"DOUBLE COMMAND		01
02	0501010590	NIPPLE		04
03	0503010045	O'RING		04
04	0501010589	R. 1.1/16UN SEXT 1.1/4 X 52 NIPPLE		01
05	0503011109	2-119 N 3006-9B O'RING		01
06	0501010591	HOSE NIPPLE		01
07	0503011109	2-119 N 3006-9B O'RING		01
08	0521010533	0.3" X 1" COUPLING SHAFT		02
09	0503010140	1/8" X 3/4" COTTERPIN		02
10	0503030387	PLUG		04
11	0503030388	PLUG N-005		01



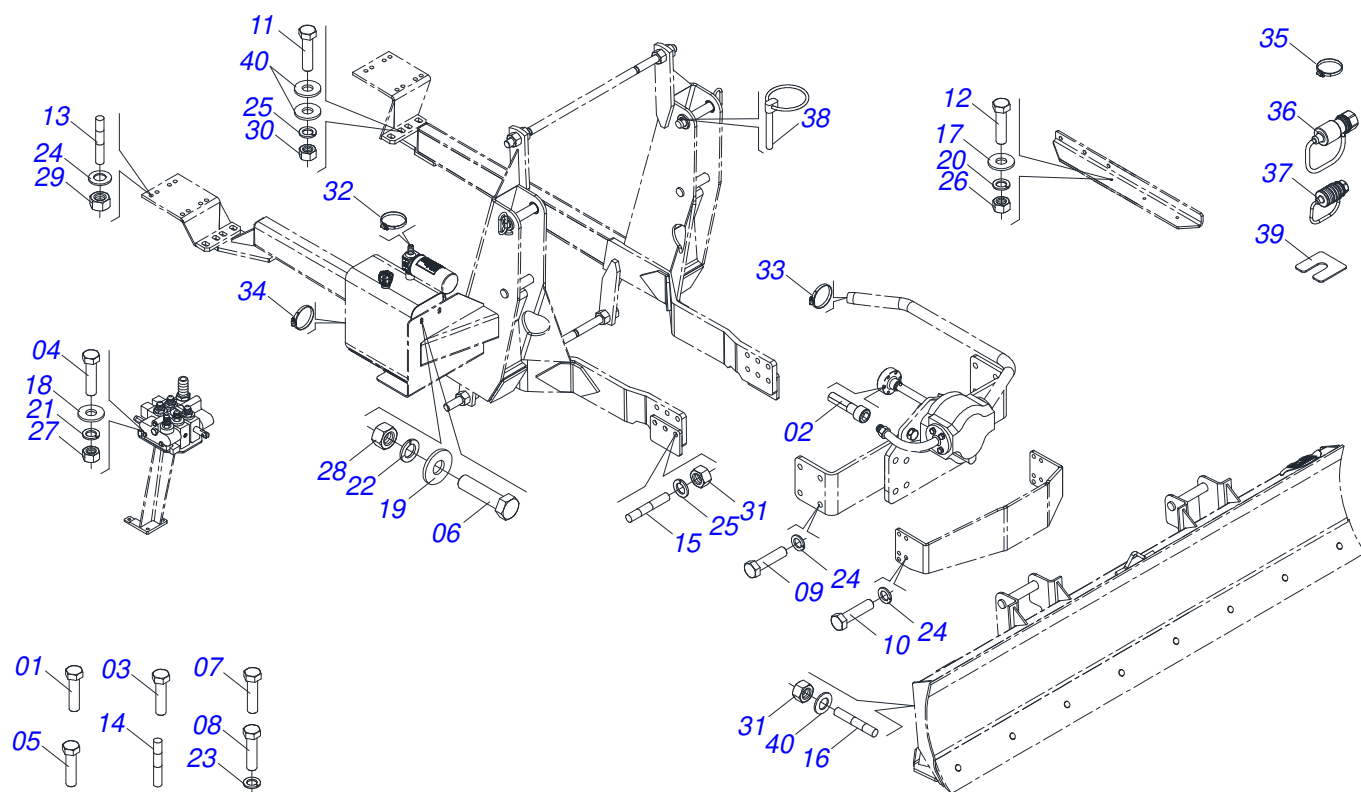
Item	Code	Description	See page	QT
01	0511060695	CONTROL VALVE		01
02	0503030878	LEVER CRANK		01



Item	Code	Description	See page	QT
01	0501014915	ROD 1.1/4" NC X 3.818"		01
02	0501010087	1.1/4" NUT		04



Item	Code	Description	See page	QT
01	0503061770	PUMP WITH TUBE		01
02	0501014609	PUMP SUPPORT		01
03	0503010019	1/2" SPRING WASHER		02
04	0501010063	1/2" X 1-1/2" BOLT		02
05	0503010173	2-220 N 3006-9B O'RING		02
06	0511069374	PUMP SUCTION TUBE		01
07	0503010180	7/16" SPRING WASHER		04
08	0503010355	7/16" X 1" BOLT		04
09	0511067176	PUMP PRESSURE TUBE		01
10	0503010025	3/8" SPRING WASHER		04
11	0503011087	3/8" X 1" BOLT		04
12	0503030388	PLUG N-005		01



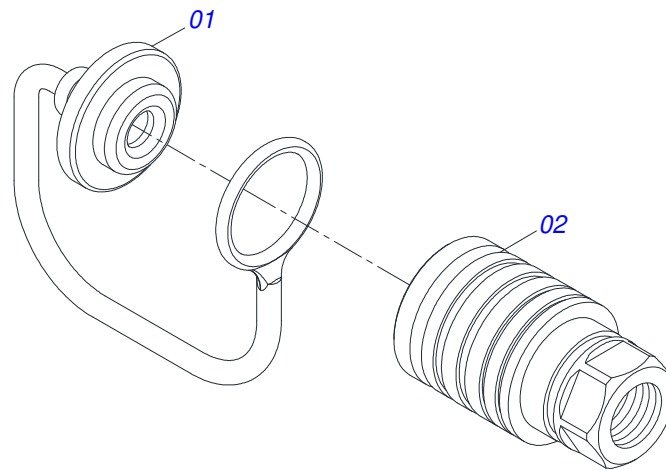
Item	Code	Description	See page	QT
01	0503014141	M6 X 1 X 20 BOLT		04
02	0503011313	M 8 X 1,25 X 50 BOLT		06
03	0503010751	C3/8" X 1.1/4" HEX BOLT G.5		01
04	0501010080	3/8" BOLT		07
05	0503014746	M10 X 1,5 X 40 BOLT		03
06	0501010161	1/2" X 1.1/4" BOLT		04
07	0503010740	BOLT 1/2 UNC X 2 CS G.5 ZN		04
08	0503015106	5/16 UNF X 3/4 C S G.5 ZN BOLT		04
09	0501010100	SCREW 5/8 UNC X 2 CS G.5 ZN		04
10	0503010233	5/8" X 2-1/2" BOLT		04
11	0501010500	3/4"X3"BOLT		04
12	0503010461	1/4" X 1" BOLT		03
13	0501011426	5/8" X 5/8" X 9.45" STUD		08
14	0511014680	3/4" UNF X 85 STUD		06
15	0501010603	3/4" X 3.74" STUD		06
16	0561016756	3/4 UNC X 3/4 UNC X 56 PRISONER		04
17	0511017303	FLAT WASHER		03
18	0501010984	FLAT WASHER		09
19	0511017302	FLAT WASHER		04
20	0503010143	1/4" SPRING WASHER		03
21	0503010025	3/8" SPRING WASHER		08
22	0503010019	1/2" SPRING WASHER		08
23	0503010179	LOCK WASHER		04
24	0503010027	5/8" SPRING WASHER		16
25	0503010023	3/4" SPRING WASHER		16
26	0503010144	1/4" NUT		03
27	0503010026	3/8" NUT		08
28	0503010060	1/2" NUT		04
29	0503010013	5/8" NUT		24
30	0503010014	3/4" NUT		08
31	0503010335	3/4"NUT		12



PACKED PARTS

0501036482

Item	Code	Description	See page	QT
32	0503010184	CLAMP		02
33	0503010243	CLAMP		03
34	0503010246	CLAMP		01
35	0503011266	CLAMP 2.1/4" A 3" 57-76		01
36	0501053834	MALE QUICK COUPLER	10	04
37	0501053835	FEMALE QUICK COUPLER	20	04
38	0503030430	7/16 X 2" PIN LOCK		04
39	0501010794	HIDR CHOCK REGULATOR		20
40	0501010322	FLAT WASHER		12



Item	Code	Description	See page	QT
01	0503011883	QUICK CONNECTION COVER		01
02	0503011628	FEMALE QUICK COUPLER		01



MARCHESAN

Technical Publications | Elaboration and Revision

ALESSANDRA PATRICIA KAWAHARA CARRILI

www.marchesan.com.br

