

PARTS CATALOG

AGRICULTURAL FRONT LOADER

PCA 600 VALTRA BL 77 BT/SHT
S-0204

Code: 0501091076



Series: S-0204

Review: FEVEREIRO/04

ORIGINAL PARTS
TATU

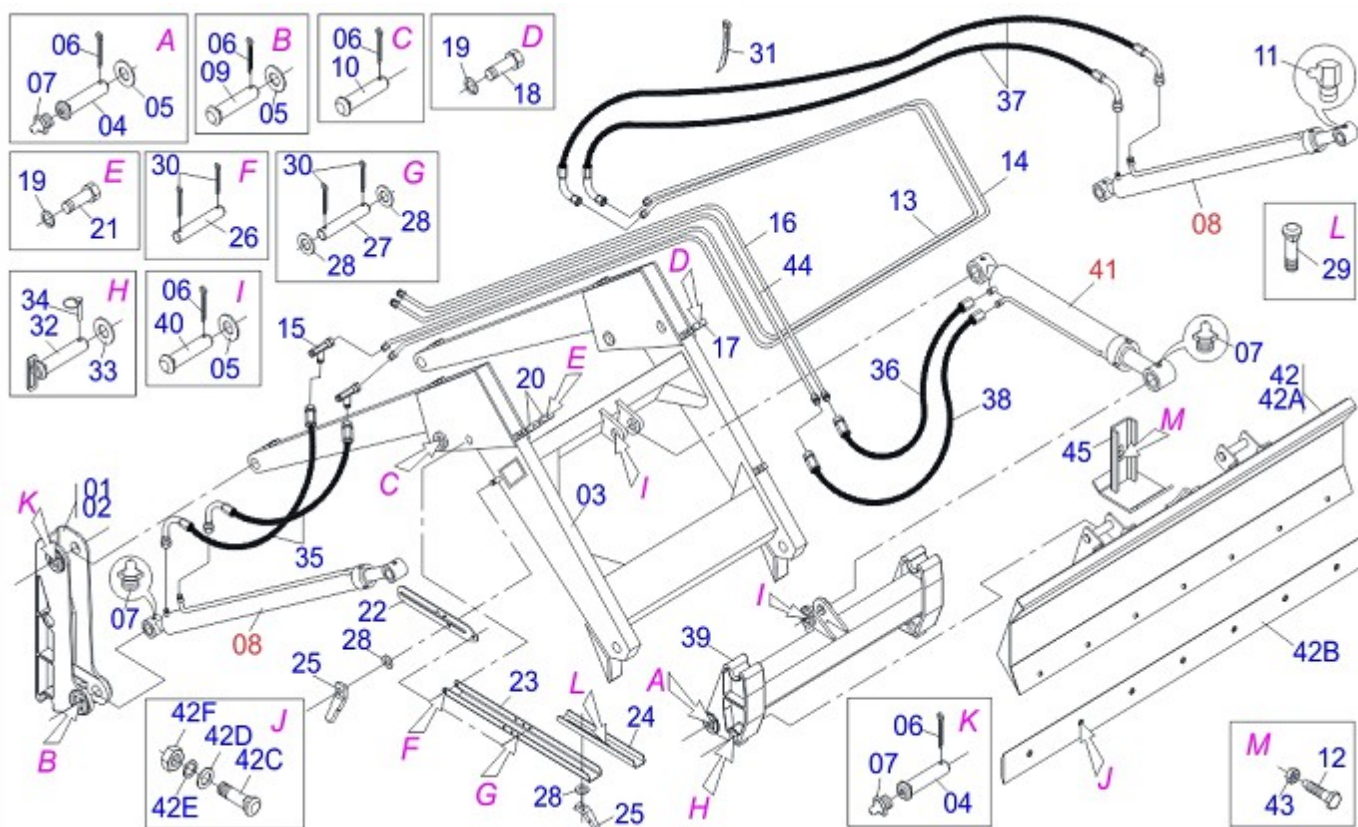


INDEX

0909091650	SUPPORT MOBILE BT WITHOUT COMMAND	1
0511040627	1.7" X 3" X 26" X 16" HYDRAULIC CYLINDER	2
0511044861	HYDRAULIC CILINDER	3
0909091651	HYDRAULIC CIRCUIT BT WITHOUT COMMAND	4
0909091652	SUPPORT MOBILE SHT COMMAND DOUBLE	5
0909091653	HYDRAULIC CIRCUIT SHT CAMMAND DOUBLE	6
0521040136	DRIVE SHAFT	7
0909091654	SILAGE FORK FARM	8
0501047447	1.5 X 2.5 X 16" X 9" HYDRAULIC CYLINDER	9

ATTENTION: **IMPORTANT**

MARCHESAN RESERVES THE RIGHT AT ANY TIME TO MAKE IMPROVEMENTS IN THE DESIGN, MATERIAL OR SPECIFICATIONS OF MACHINERY, EQUIPMENT OR PARTS WITHOUT THEREBY BECOMING LIABLE TO MAKE SIMILAR CHANGES IN MACHINERY, EQUIPMENT OR PARTS PREVIOUSLY SOLD.



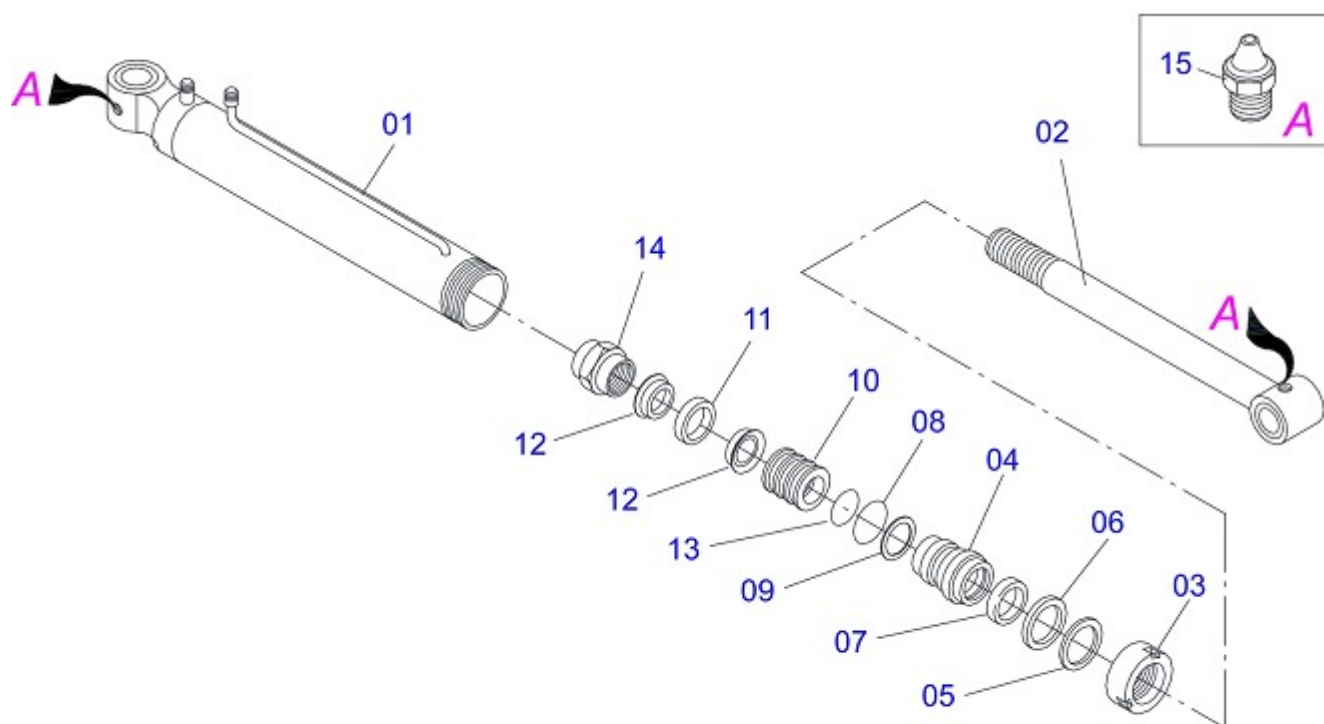
Item	Code	Description	QT
01	0502012382	RIGHT MOBILE TOWER	01
02	0502012381	LEFT MOBILE TOWER	01
03	0501068663	MOBILE SUPPORT	01
04	0511019519	1.5" X 1.4" PIVOT SHAFT	04
05	0511019685	FLAT WASHER	06
06	0503010534	3/8" X 2-1/2" COTTERPIN	10
07	0503010002	GREASE FITTING	08
08	0511044861	HYDRAULIC CILINDER	02
09	0521010904	1.5" X 1.4" PIVOT SHAFT	02
10	0511019520	1.5" X 1.4" PIVOT SHAFT	02
11	0503010003	3/8" GREASE FITTING	02
12	0501018246	3/4" X 3" BOLT	02
13	0501068621	INNER OIL TUBE	01
14	0501068622	OUTER OIL TUBE	01
15	0503011968	"T" ADAPTOR WITH GIRAT NUT 3/8"	02
16	0501068615	OIL TUBE ASSY	01
17	0531011180	UPPER CLAMP BODY	03
18	0503011102	7/16" X 1-1/4" BOLT	03
19	0503010180	7/16" SPRING WASHER	06
20	0502010477	UPPER CLAMP BODY	06
21	0503012555	7/16" X 2" BOLT	03
22	0511019634	CONTROL LOCK	02
23	0561016401	PLOUGH SUPPORTE BODY	02
24	0561016619	COMPLEMENTON REST	02
25	0561016329	LATCH HOLDER REST PCA	04
26	0511013598	3/4" X 4.7" COUPLING SHAFT	02
27	0521012823	COUPLING SHAFT	02
28	0511017302	FLAT WASHER	08
29	0503014378	1/2" X 1-1/2" BOLT	02
30	0503010071	3/16" X 1" COTTERPIN	08
31	0503013527	CLAMP ZIPER	04
32	0501069447	1.5" X 1.4" PIVOT SHAFT	02
33	0501012916	FLAT WASHER	02



SUPPORT MOBILE BT WITHOUT COMMAND

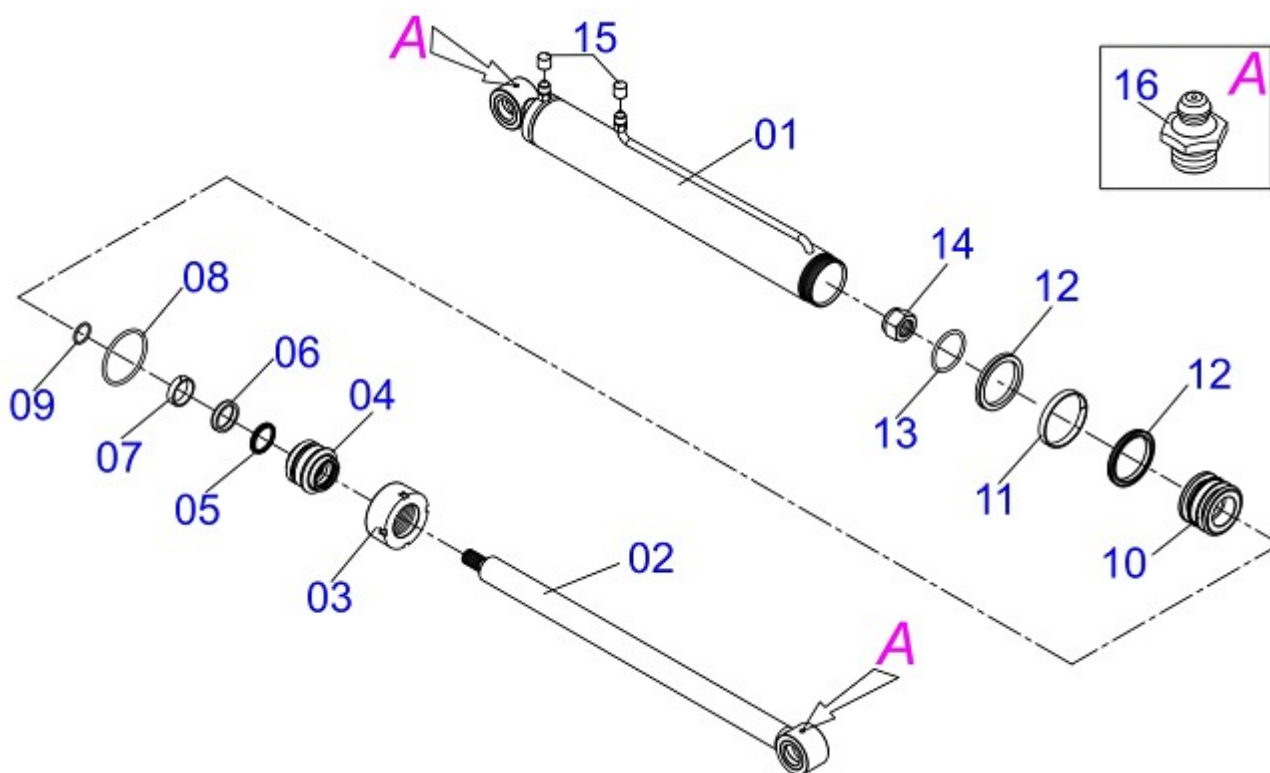
0909091650

Item	Code	Description	QT
34	0503030430	7/16 X 2" PIN LOCK	02
35	0501080599	3/8" X 25" TC-TR HOSE	02
36	0501080635	3/8" X 19" TR-TR HOSE	01
37	0501080688	3/8" X 25" TC-TC 90G HOSE	02
38	0501080709	3/8" X 21.6" TR-TR HOSE	01
39	0501068598	JOINT SUPPORT	01
40	0511019521	1.5" X 1.4" PIVOT SHAFT	02
41	0511040627	1.7" X 3" X 26" X 16" HYDRAULIC CYLINDER	01
42	0511047849	BLADE FRONT	01
42A	0511064165	BLADE FRONT	01
42B	0531019518	SCRAPER 2220 X 6 X 1/2	01
42C	0501012239	5/8" X 1-3/4" BOLT	07
42D	0571010265	FLAT WASHER	07
42E	0503011445	5/8" SPRING WASHER	07
42F	0503010013	5/8" NUT	07
43	0503010014	3/4" NUT	02
44	0521062856	INTERNAL LOWER OIL DISTRIBUTOR	01
45	0511064780	SHOE SLIDE LIGHT STABILIZING	02

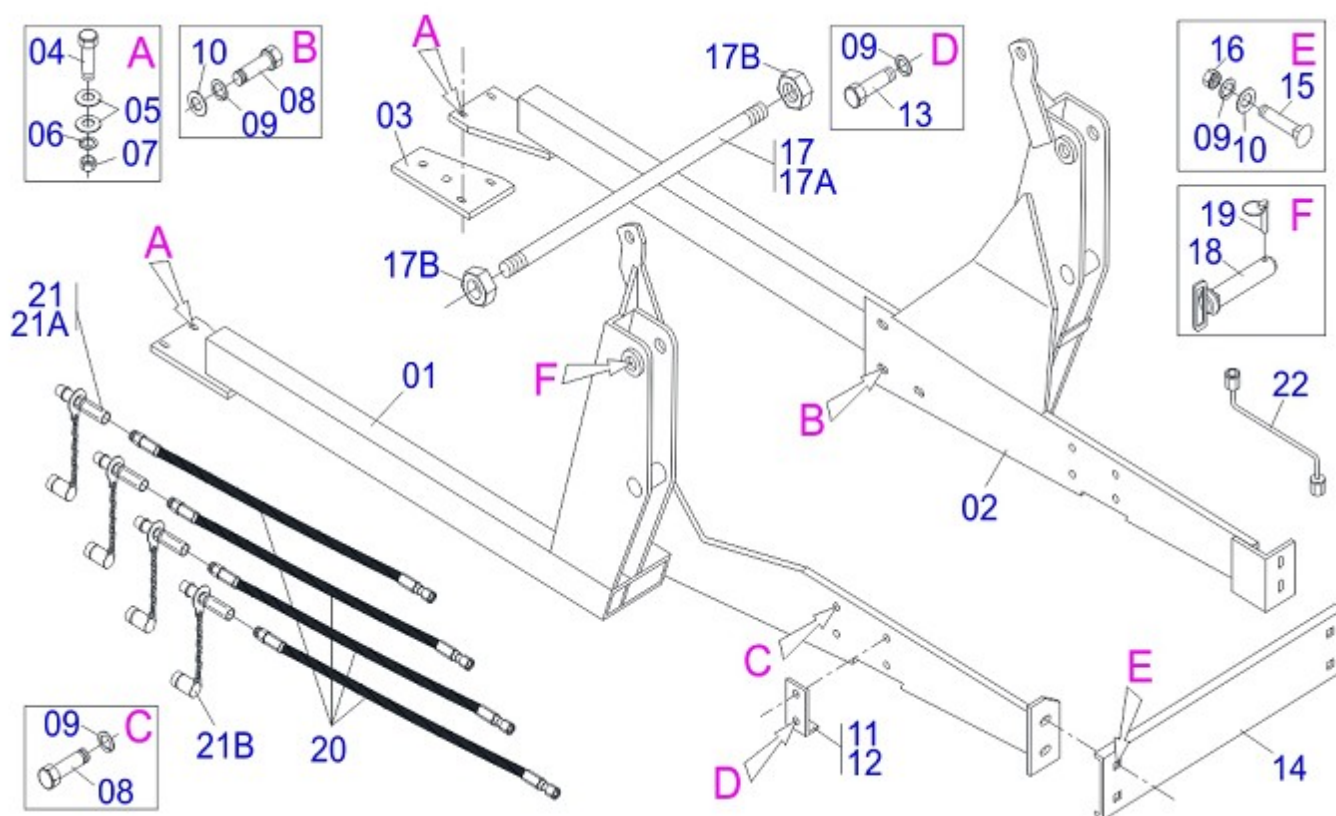


Item	Code	Description	QT
00	0511040627	1.7" X 3" X 26" X 16" HYDRAULIC CYLINDER	01
01	0511063212	3" X 23" CYLINDER CASE	01
02	0501068711	1.7" X 22"TURNBUCLE	01
03	0502011899	MOBILE COVER	01
04	0502011897	RING SUPPORT	01
05	0503010761	D-1750 SCRAPER RING	01
06	0503010990	GASKET	01
07	0503010949	W2-2000-500 PK RING G.E	01
08	0503010343	2-334 N 3006-9B O'RING	01
09	0503011059	8-334 BACK-UP RING	01
10	0502011898	1.8" X 3.0" PISTON	01
11	0503010992	W2-3000-500 PK RING G.E	01
12	0503012768	3750-2250 GASKET	02
13	0503010042	2-214 N 3006-9B O'RING	01
14	0503010063	1" SELF-ALIGNING NUT	01
15	0503010002	GREASE FITTING	02
16	0503030387	PLUG	02

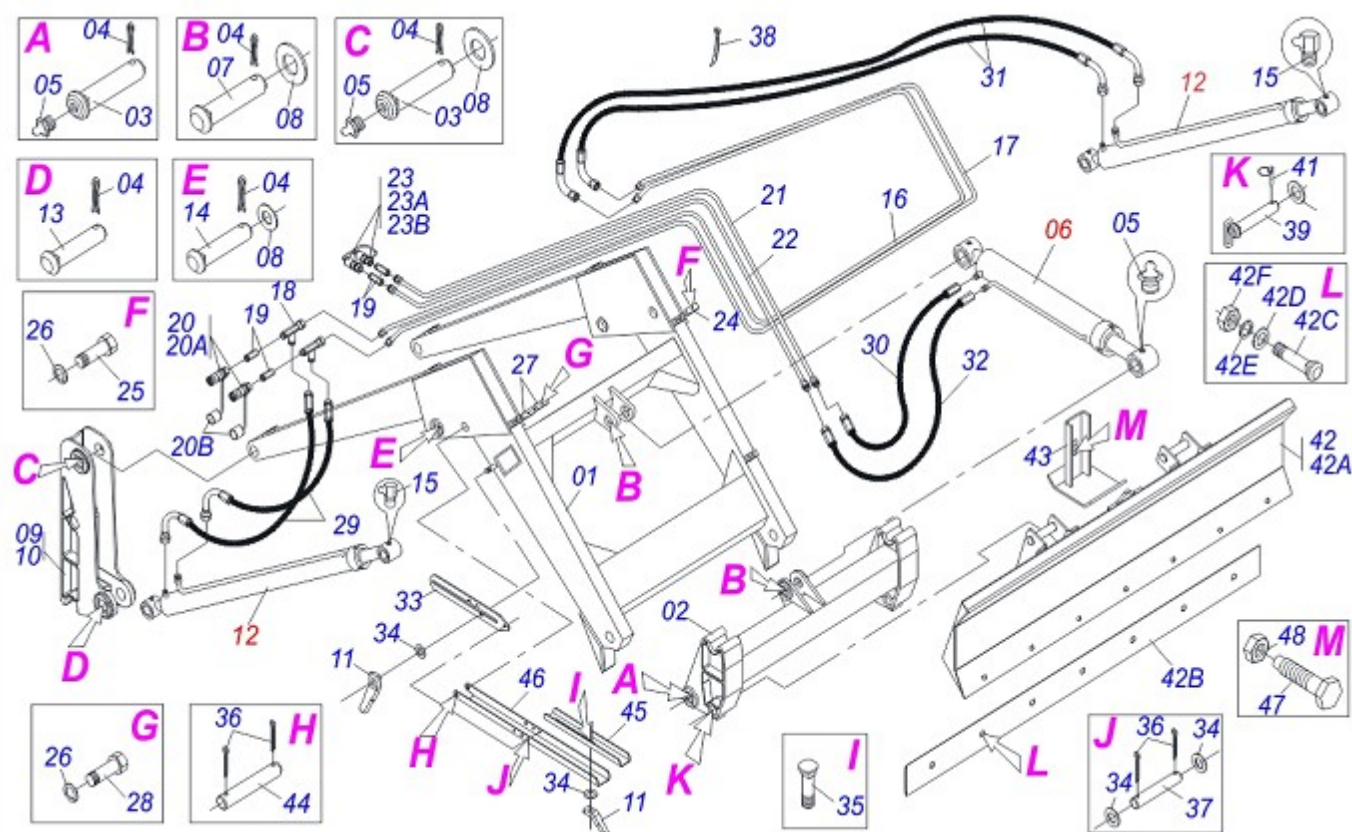
HYDRAULIC CILINDER



Item	Code	Description	QT
00	0511044861	HYDRAULIC CILINDER	01
01	0511067373	76,2 X 740 CYLINDER CASE	01
02	0511067374	44,45 X 756 TURNBUCKLE	01
03	0502011899	MOBILE COVER	01
04	0502011897	RING SUPPORT	01
05	0503010761	D-1750 SCRAPER RING	01
06	0503010990	GASKET	01
07	0503010949	W2-2000-500 PK RING G.E	01
08	0503010343	2-334 N 3006-9B O'RING	01
09	0503011059	8-334 BACK-UP RING	01
10	0502011898	1.8" X 3.0" PISTON	01
11	0503010992	W2-3000-500 PK RING G.E	01
12	0503012768	3750-2250 GASKET	02
13	0503010345	2-218 N 3006-9B O'RING	01
14	0503010063	1" SELF-ALIGNING NUT	01
15	0503030387	PLUG	02
16	0503010002	GREASE FITTING	02



Item	Code	Description	QT
01	0511065333	RIGHT FRAME	01
02	0511065335	LEFT FRAME	01
03	0521013656	FRAME BRACKET	02
04	0501010500	3/4" X 3" BOLT	04
05	0501010322	FLAT WASHER	08
06	0503010023	3/4" SPRING WASHER	04
07	0503010014	3/4" NUT	04
08	0503011188	M16 X 2 X 50 BOLT	10
09	0503010027	5/8" SPRING WASHER	18
10	0501012140	FLAT WASHER	10
11	0541011009	RIGHT BEATER	01
12	0541011010	LEFT BEATER	01
13	0503011730	M16 X 2 X 60 BOLT	04
14	0541011011	FRONT PROTECTOR PUMP	01
15	0503012407	5/8" X 1-1/2" BOLT	04
16	0503010013	5/8" NUT	08
17	0501040954	1.1/4" NC X 760 ROD	01
17A	0501010628	1.1/4" X 760 ROD	01
17B	0501010087	1.1/4" UNC NUT	02
18	0511064616	1.5" X 6.9" COUPLING SHAFT	02
19	0503030430	7/16 X 2" PIN LOCK	02
20	0501081124	HOSE 3/8" X 4200-TM TR	04
21	0501053834	QUICK CONECTION (MALE) 1/2NPT	04
21A	0503011627	QUICK CONNECTION (MALE) AGR 1/2 NPT	04
21B	0503011882	QUICK CONNECTION COVER	04



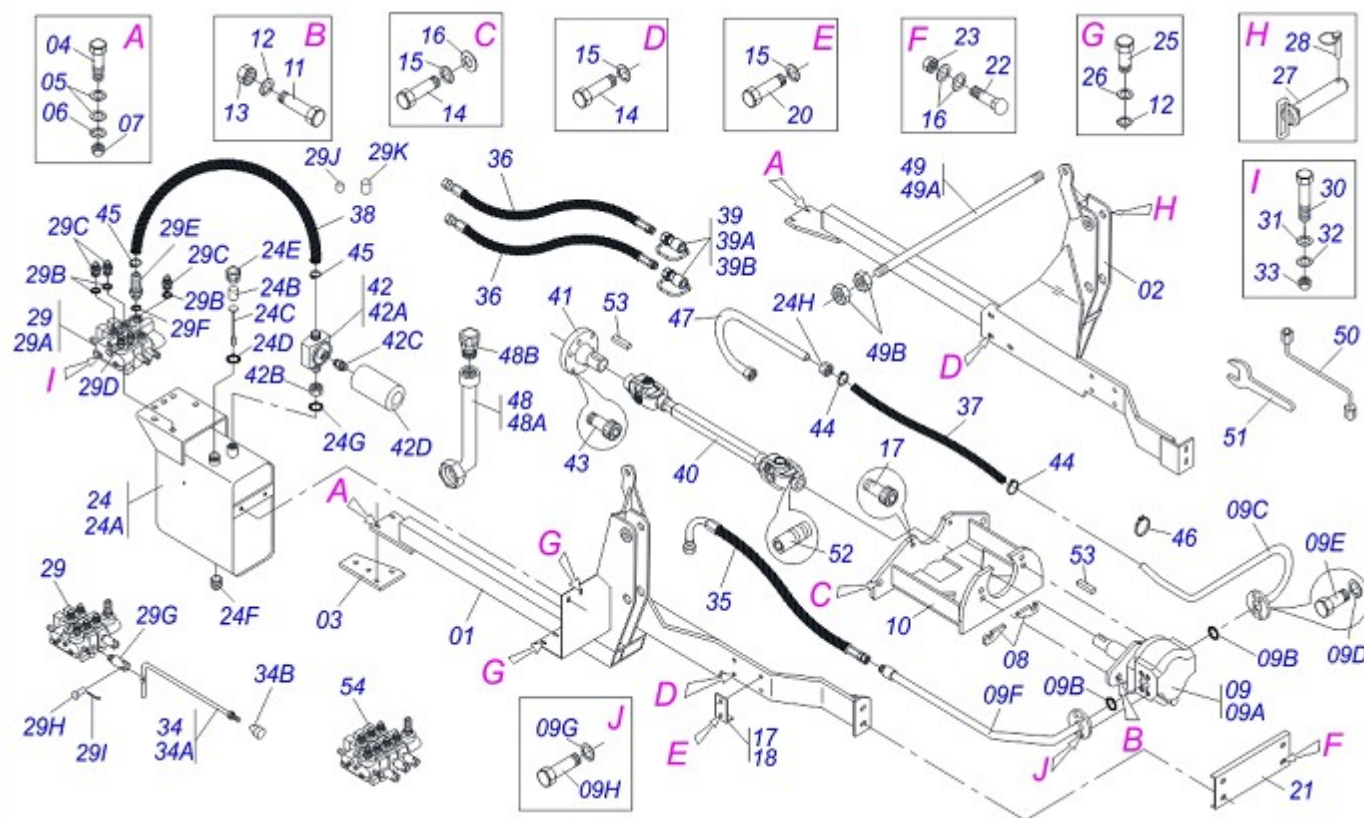
Item	Code	Description	QT
01	0501068663	MOBILE SUPPORT	01
02	0501068598	JOINT SUPPORT	01
03	0511019519	1.5" X 1.4" PIVOT SHAFT	04
04	0503010534	3/8" X 2-1/2" COTTERPIN	10
05	0503010002	GREASE FITTING	08
06	0511040627	1.7" X 3" X 26" X 16" HYDRAULIC CYLINDER	01
07	0511019521	1.5" X 1.4" PIVOT SHAFT	02
08	0511019685	FLAT WASHER	06
09	0502012382	RIGHT MOBILE TOWER	01
10	0502012381	LEFT MOBILE TOWER	01
11	0561016329	LATCH HOLDER REST PCA	04
12	0511044861	HYDRAULIC CILINDER	02
13	0521010904	1.5" X 1.4" PIVOT SHAFT	02
14	0511019520	1.5" X 1.4" PIVOT SHAFT	02
15	0503010003	3/8" GREASE FITTING	02
16	0501068621	INNER OIL TUBE	01
17	0501068622	OUTER OIL TUBE	01
18	0503011968	"T" ADAPTOR WITH GIRAT NUT 3/8	02
19	0511019876	1/2" NIPPLE	04
20	0501053835	FEMALE QUICK COUPLER	02
20A	0503011628	QUICK CONNECTION(FEM) AGR 1/2 NPT	02
20B	0503011883	QUICK CONNECTION COVER	02
21	0501068615	OIL TUBE ASSY	01
22	0521062856	INTERNAL LOWER OIL DISTRIBUTOR	01
23	0501053834	QUICK CONECTION (MALE) 1/2NPT	02
23A	0503011627	QUICK CONNECTION (MALE) AGR 1/2 NPT	02
23B	0503011882	QUICK CONNECTION COVER	02
24	0531011180	UPPER CLAMP BODY	03
25	0503011102	7/16" X 1-1/4" BOLT	03
26	0503010180	7/16" SPRING WASHER	06
27	0502010477	UPPER CLAMP BODY	10
28	0503012555	7/16" X 2" BOLT	03
29	0501080599	3/8" X 25" TC-TR HOSE	02



SUPPORT MOBILE SHT COMMAND DOUBLE

0909091652

Item	Code	Description	QT
30	0501080635	3/8" X 19" TR-TR HOSE	01
31	0501080688	3/8" X 25" TC-TC 90G HOSE	02
32	0501080709	3/8" X 21.6" TR-TR HOSE	01
33	0511019634	CONTROL LOCK	02
34	0511017302	FLAT WASHER	08
35	0503014378	1/2" X 1-1/2" BOLT	02
36	0503010071	3/16" X 1" COTTERPIN	08
37	0521012823	COUPLING SHAFT	02
38	0503013527	CLAMP ZIPER	04
39	0501069447	1.5" X 1.4" PIVOT SHAFT	02
40	0501012916	FLAT WASHER	02
41	0503030430	7/16 X 2" PIN LOCK	02
42	0511047849	BLADE FRONT	01
42A	0511064165	BLADE FRONT	01
42B	0531019518	SCRAPER 2220 X 6 X 1/2	01
42C	0501012239	5/8" X 1-3/4" BOLT	07
42D	0571010265	FLAT WASHER	07
42E	0503011445	5/8" SPRING WASHER	07
42F	0503010013	5/8" NUT	07
43	0511064780	SHOE SLIDE LIGHT STABILIZING	02
44	0511013598	3/4" X 4.7" COUPLING SHAFT	02
45	0561016619	COMPLEMENTON REST	02
46	0561016401	PLOUGH SUPPORTE BODY	02
47	0501018246	3/4" X 3" BOLT	02
48	0503010014	3/4" NUT	02



Item	Code	Description	QT
01	0511065334	RIGHT FRAME	01
02	0511065335	LEFT FRAME	01
03	0521013656	FRAME BRACKET	02
04	0501010500	3/4" X 3" BOLT	04
05	0501010322	FLAT WASHER	08
06	0503010023	3/4" SPRING WASHER	04
07	0503010014	3/4" NUT	04
08	0561015241	CHOCK PUMP SUPPORT SUPPORT	02
09	0521040134	GEAR PUMP ASSY KEYED SHAFT	01
09A	0503062013	H40 PUMP SHAFT 1 CHV	01
09B	0503010173	2-220 N 3006-9B O'RING	02
09C	0521063473	PUMP SUCTION TUBE	01
09D	0503010180	7/16" SPRING WASHER	04
09E	0503010355	7/16" X 1" BOLT	04
09F	0501067702	PUMP PRESSURE TUBE	01
09G	0503010025	3/8" SPRING WHASHER	04
09H	0503010237	3/8" X 1" HEX BOLT G5	04
10	0511061456	PUMP SUPPORT	01
11	0503011082	1/2" X 1.3/4" BOLT	02
12	0503010019	1/2" SPRING WASHER	06
13	0503010060	1/2" NUT	02
14	0503011188	M16 X 2 X 50 BOLT	12
15	0503010027	5/8" SPRING WASHER	16
16	0501012140	FLAT WASHER	10
17	0503010728	M10 X 1.2" BOLT	02
18	0541011009	RIGHT BEATER	01
19	0541011010	LEFT BEATER	01
20	0503011730	M16 X 2 X 60 BOLT	04
21	0541011011	FRONT PROTECTOR PUMP	01
22	0503012407	5/8" X 1-1/2" BOLT	04
23	0503010013	5/8" NUT	04
24	0511042276	RESERVOIR OIL ASSY	01
24A	0511065085	RESERVOIR OIL	01



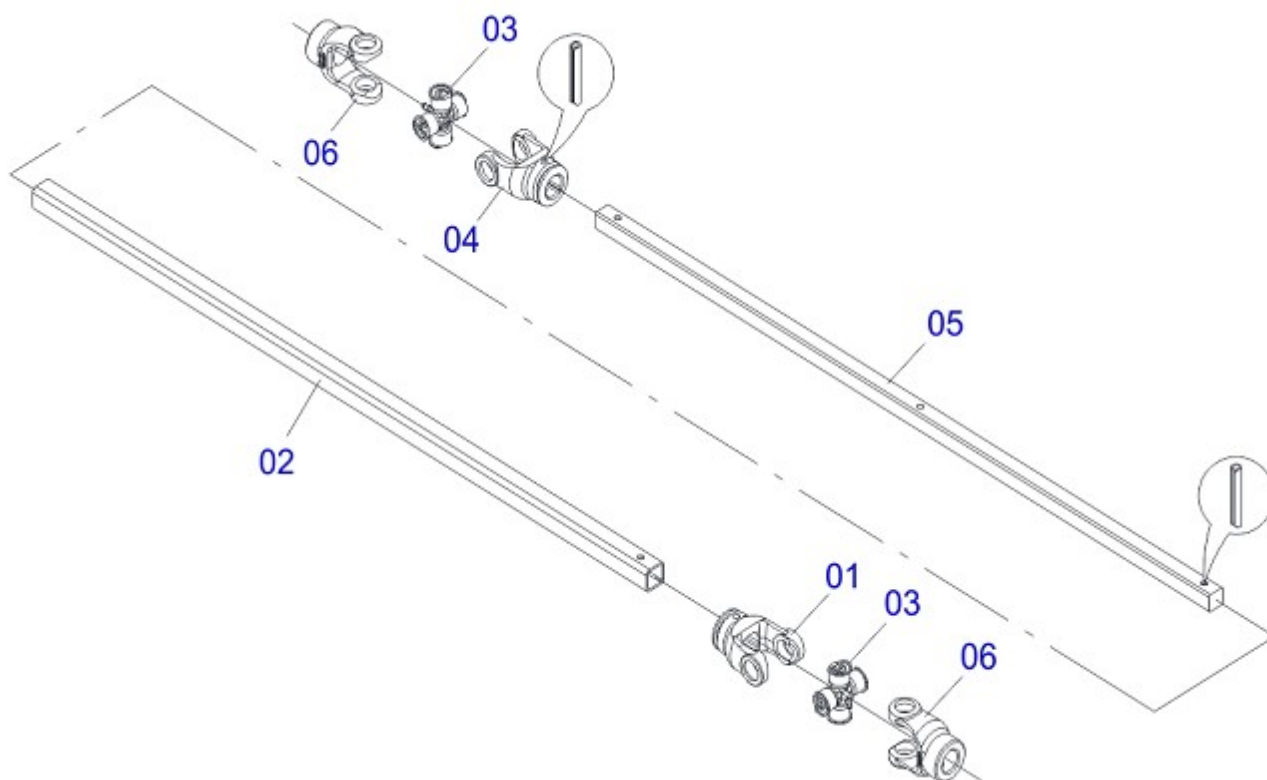
HYDRAULIC CIRCUIT SHT CAMMAND DOUBLE

0909091653

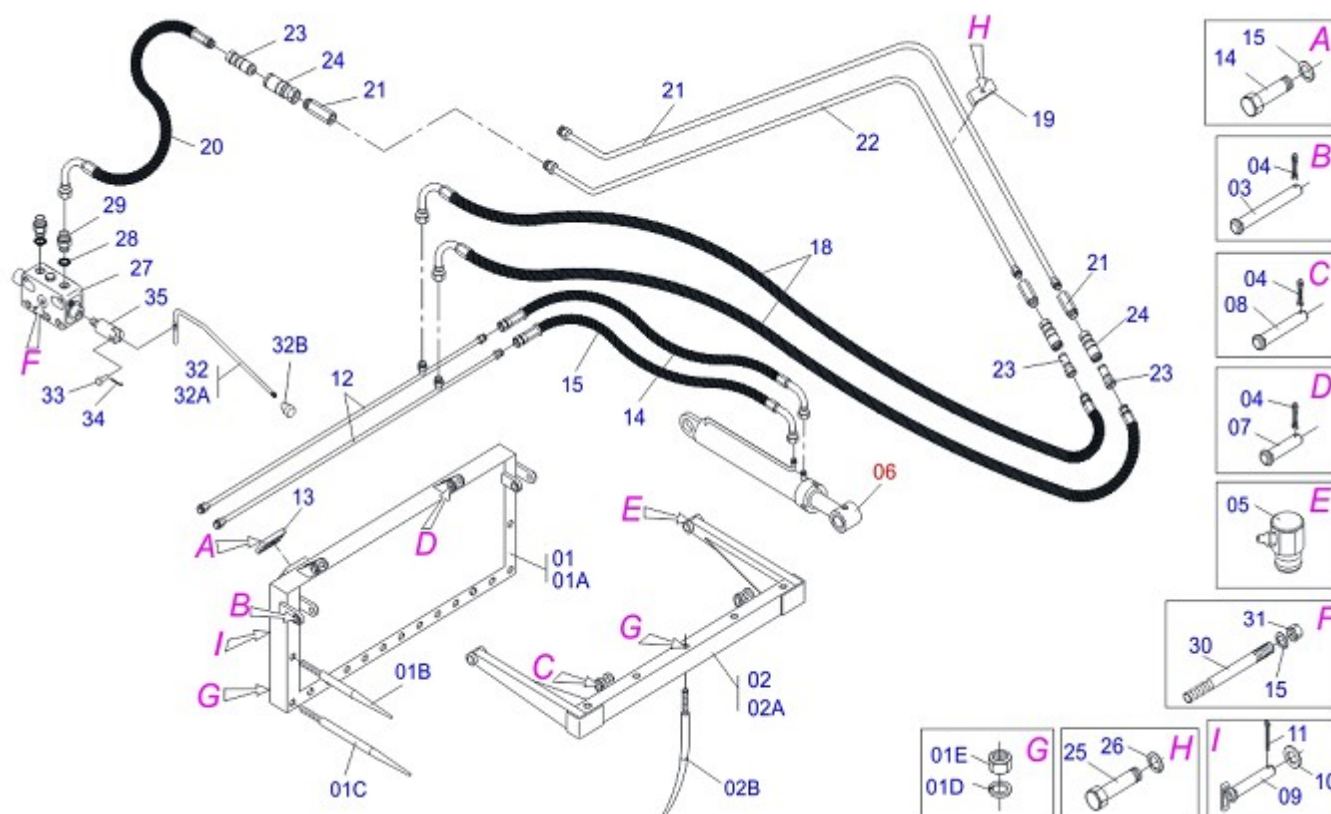
Item	Code	Description	QT
24B	0503030044	FILTERING ELEMENT	01
24C	0501060975	OIL GAGE	01
24D	0503010185	2-221 N 3006-9B O'RING	01
24E	0502020472	TANK COVER BODY	01
24F	0503031604	1/2" BSP PLUG	01
24G	0503010046	2-216 N 3006-9B O'RING	01
24H	0501016309	2" 1X 2.5/16" NUT	01
25	0501010161	1/2" X 1-1/4" BOLT	04
26	0511017302	FLAT WASHER	04
27	0511064616	1.5" X 6.9" COUPLING SHAFT	02
28	0503030430	7/16 X 2" PIN LOCK	02
29	0521043361	1/2" DOUBLE COMMAND ASSY	01
29A	0503060016	1/2"DOUBLE COMMAND	01
29B	0503010045	2-116 N 3006-9B O'RING	06
29C	0511010111	7/8" NIPPLE	04
29D	0551011253	1-1/16" NIPPLE	01
29E	0501011806	1" HOSE NIPPLE	01
29F	0503011108	2-112 O'RING	01
29G	0503030347	UPPER LEVER ASSY (SAUER DANFOSS)	02
29H	0521010532	0.3" X 0.9" COUPLING SHAFT	02
29I	0503010140	1/8" X 3/4" COTTERPIN	02
29J	0503030385	PLUG CYLINDER	02
29K	0503030387	PLUG	02
30	0503010849	3/8" X 1-1/2" BOLT	03
31	0501010984	FLAT WASHER	03
32	0503010025	3/8" SPRING WHASHER	03
33	0503010026	3/8" NUT	03
34	0501048023	CONTROL VALVE	02
34A	0511060695	CONTROL VALVE	02
34B	0503030878	LEVER CRANK	02
35	0501080705	3/4" X 118" TR-TC HOSE	01
36	0501080550	3/8" X 55.12" TC-TM HOSE	04
37	0501011012	1-1/4" X 65" AB-AB HOSE	01
38	0501013822	1" X 25.6" AB-AB HOSE	01
39	0501053834	QUICK CONECTION (MALE) 1/2NPT	04
39A	0503011627	QUICK CONNECTION (MALE) AGR 1/2 NPT	04
39B	0503011882	QUICK CONNECTION COVER	04
40	0521040136	DRIVE SHAFT	01
41	0521016647	COUPLING FLANGE	01
42	0501041108	RETURNING FILTER ASSY	01
42A	0502050002	RETURNING FILTER HEAD	01
42B	0501010594	1" NUT HEX	01
42C	0501010595	1" NF NIPPLE	01
42D	0503010183	RETURNING FILTER	01
43	0503011313	M8 X 2" BOLT	06
44	0503010243	1-1/2" TO 2" CLAMP	02
45	0503010184	1-1/4" TO 1-1/2" CLAMP	02
46	0503010246	2" TO 2/1/2" CLAMP	03
47	0501063383	TANK OUTER TUBE	01
48	0501043022	TANK COVER PROTRACTOR TRACTOR	01
48A	0501063065	TANK COVER TUBE	01
48B	0502020549	TANK COVER	01
49	0501040954	1.1/4" NC X 760 ROD	01
49A	0501010628	1.1/4" X 760 ROD	01
49B	0501010087	1.1/4" UNC NUT	02
50	0501068213	5/8" WRENCH DOUBLE	01
51	0511010153	2-5/16" FIXED WRENCH	01
52	0503011148	3/8" X 1/2" BOLT	02
53	0503031031	1/4" KEYWAY SQUARE	02
54	0521040782	COMMAND TRIPLE 1/2" ASSY	01

DRIVE SHAFT

0521040136



Item	Code	Description	QT
00	0521040136	DRIVE SHAFT	00
01	0503017426	28,65 TERMINAL	01
02	0503017427	SQUARE TUBE	01
03	0503014639	CROSSPIECE	02
04	0503017428	TERMINAL W/HOLE SQUARE	01
05	0503017429	SQUARE BAR	01
06	0503017430	CC 13 TERMINAL	02



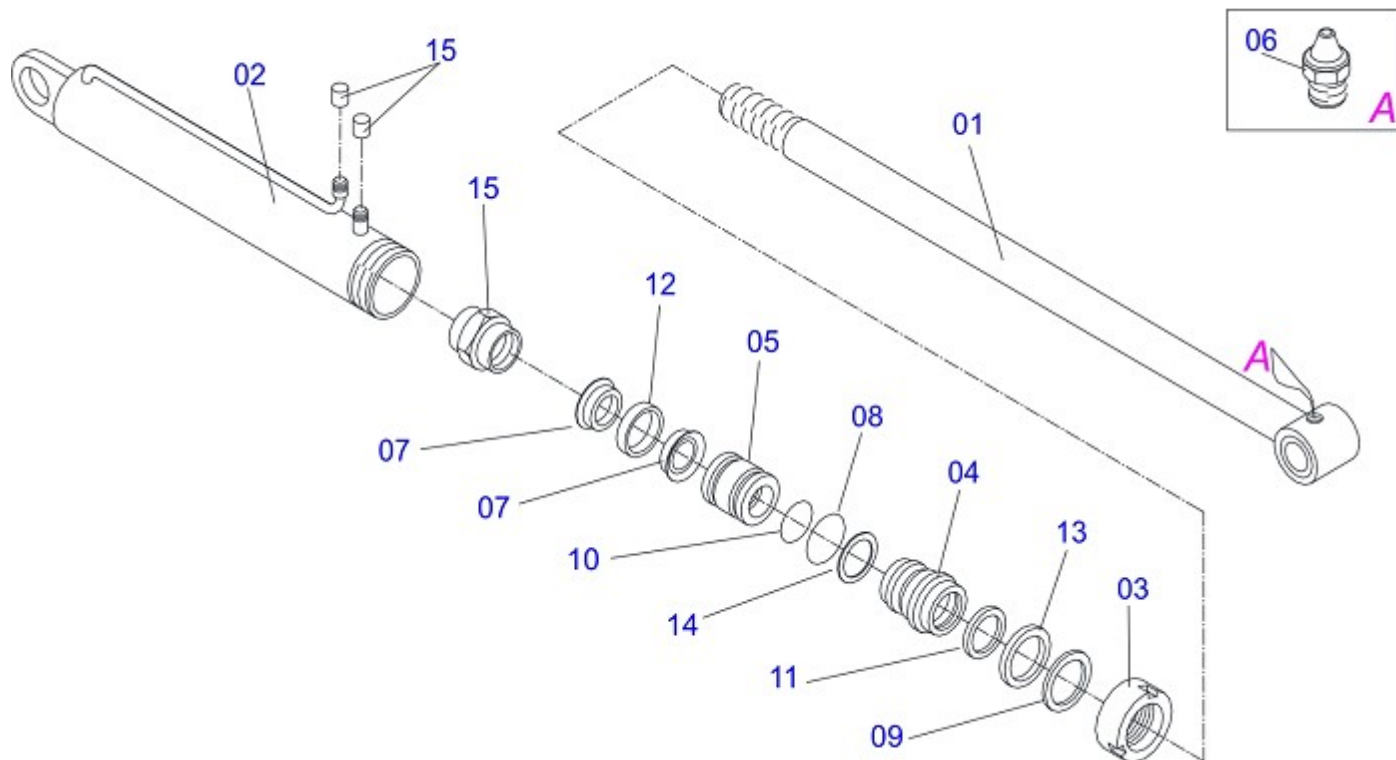
Item	Code	Description	QT
00	0501047647	SILAGE FORK FARM 600 (1640)	01
01	0501051502	FIXED FRAME WITH TEETH	01
01A	0501068609	FIXED FRAME	01
01B	0511019542	1-1/2" X 26" STRAIGHT TEETH	02
01C	0511019543	1-1/2" X 30" STRAIGHT TEETH	13
01D	0503011438	1" SPRING WASHER	20
01E	0503010340	1" UNF NUT	20
02	0501051503	MOBILE FRAME WITH TEETH	01
02A	0501068610	MOBILE FRAME	01
02B	0511019544	1-1/2" X 26" BENT TOOTH	05
03	0511019623	0.9" X 5.4" COUPLING SHAFT	02
04	0503010571	1/4" X 1.1/2" COTTERPIN	06
05	0503010004	GREASE FITTING	02
06	0501047447	1.5 X 2.5 X 16" X 9" HYDRAULIC CYLINDER	02
07	0511019621	0.9" X 2.8" COUPLING SHAFT	02
08	0511019622	0.9" X 4.0" COUPLING SHAFT	02
09	0511060085	1.47" X 9.25" PIVOT SHAFT	02
10	0511019685	FLAT WASHER	02
11	0503010534	3/8" X 2-1/2" COTTERPIN	02
12	0501068686	OIL TUBE	02
13	0531011180	UPPER CLAMP BODY	02
14	0503010237	3/8" X 1" HEX BOLT G5	02
15	0503010025	3/8" SPRING WHASHER	08
16	0501080599	3/8" X 25" TC-TR HOSE	02
17	0501080328	3/8" X 29" TR-TC HOSE	02
18	0501080597	3/8" X 43" TC-TM HOSE	02
19	0502010477	UPPER CLAMP BODY	04
20	0501080473	3/8" X 120" TC-TM HOSE	02
21	0511061634	LEFT OIL TUBE	01
22	0511061635	RIGHT OIL TUBE	01
23	0501053834	QUICK CONECTION (MALE) 1/2NPT	04
23A	0503011627	QUICK CONNECTION (MALE) AGR 1/2 NPT	04
23B	0503011882	QUICK CONNECTION COVER	04



SILAGE FORK FARM

0909091654

Item	Code	Description	QT
24	0501053835	FEMALE QUICK COUPLER	04
24A	0503011628	QUICK CONNECTION(FEM) AGR 1/2 NPT	04
24B	0503011883	QUICK CONNECTION COVER	04
25	0503012555	7/16" X 2" BOLT	02
26	0503010180	7/16" SPRING WASHER	02
27	0503010465	BODY CENTRAL 1/2"	01
28	0503010045	2-116 N 3006-9B O'RING	02
29	0511010111	7/8" NIPPLE	02
30	0531013604	PRISONER 3/8 UNC X 3/8 UNC X 250	03
31	0503010026	3/8" NUT	06
32	0501047852	CONTROL VALVE (PD V 118 SHT)	01
32A	0501069069	CONTROL VALVE (V 985-4/AX 4.75)	01
32B	0503030878	LEVER CRANK	01
33	0521010533	0.3" X 1" COUPLING SHAFT	01
34	0503010140	1/8" X 3/4" COTTERPIN	01
35	0503030347	UPPER LEVER ASSY (SAUER DANFOSS)	01



Item	Code	Description	
00	0501047447	1.5 X 2.5 X 16" X 9" HYDRAULIC CYLINDER	01
01	0501068721	1.5" X 14.1" TURNBUCLE	01
02	0501068722	63,50 X 328 CYLINDER CASE	01
03	0502010471	DETACHABLE COVER	01
04	0502010780	RING SUPPORT	01
05	0502010783	1.5" X 2.5" PISTON	01
06	0503010002	GREASE FITTING	01
07	0503010160	2500 2000 GASKET	02
08	0503010161	2-330 N 3006 9B O'RING	01
09	0503010163	D-1500 SCRAPER RING	01
10	0503010285	2-222 N 3006-9B O'RING	01
11	0503010970	W1-1650-500 PK RING G.E	01
12	0503010973	W2-2500-500 PK RING G.E	01
13	0503010989	1870-1500-375-B GASKET	01
14	0503011058	8-330 BACK-UP RING	01
15	0503011980	1" UNF LOCKNUT	01
16	0503030385	PLUG CYLINDER	02



MARCHESAN IMPLEMENTOS E MÁQUINAS AGRÍCOLAS TATU S.A.
AV. Marchesan, 1979 - Post office box, 131 - CEP 15994-900 - Matão - SP - Brazil
Phone +55 16.3382-8282
(FAX Parts) + 55 16.3382. 8297 - (Export) + 55 16.3382.1003
e.mail: tatu@marchesan.com.br www.marchesan.com.br

Drafting and Illustration = GASPARI
e.mail = jgaspari@marchesan.com.br

**ORIGINAL PARTS
TATU**

