

PARTS CATALOG

AGRICULTURAL FRONT LOADER

PCA 600 JD BT SC S-0311

Code: 0501091074



Series: S-0311

Review: JULHO/2014

**ORIGINAL PARTS
TATU**

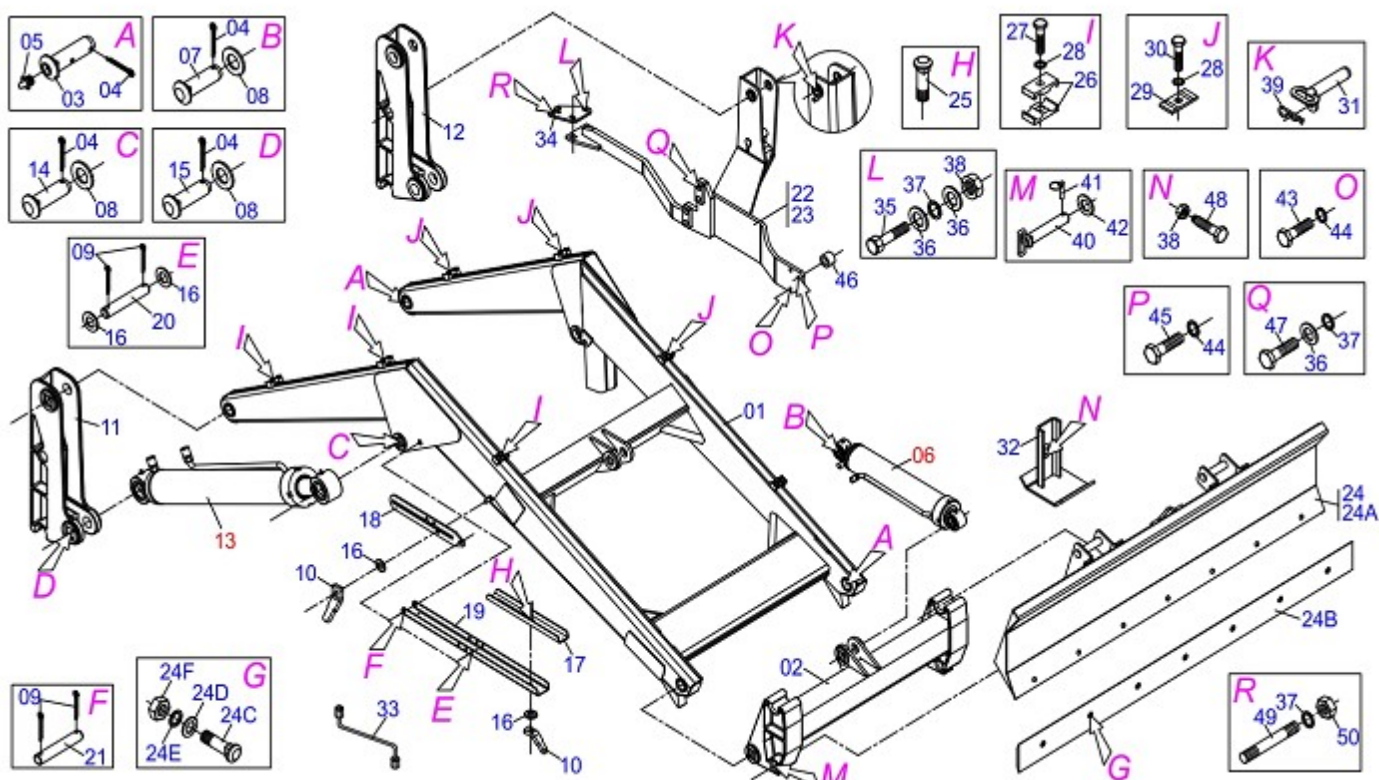


INDEX

0909091643	FRAME PCA 600 JD	1
0909091644		2
0511043510	CIL HIDR 44,45 X 101,6 X 670 X 390	3
0511044861	HYDRAULIC CILINDER	4

ATTENTION: IMPORTANT

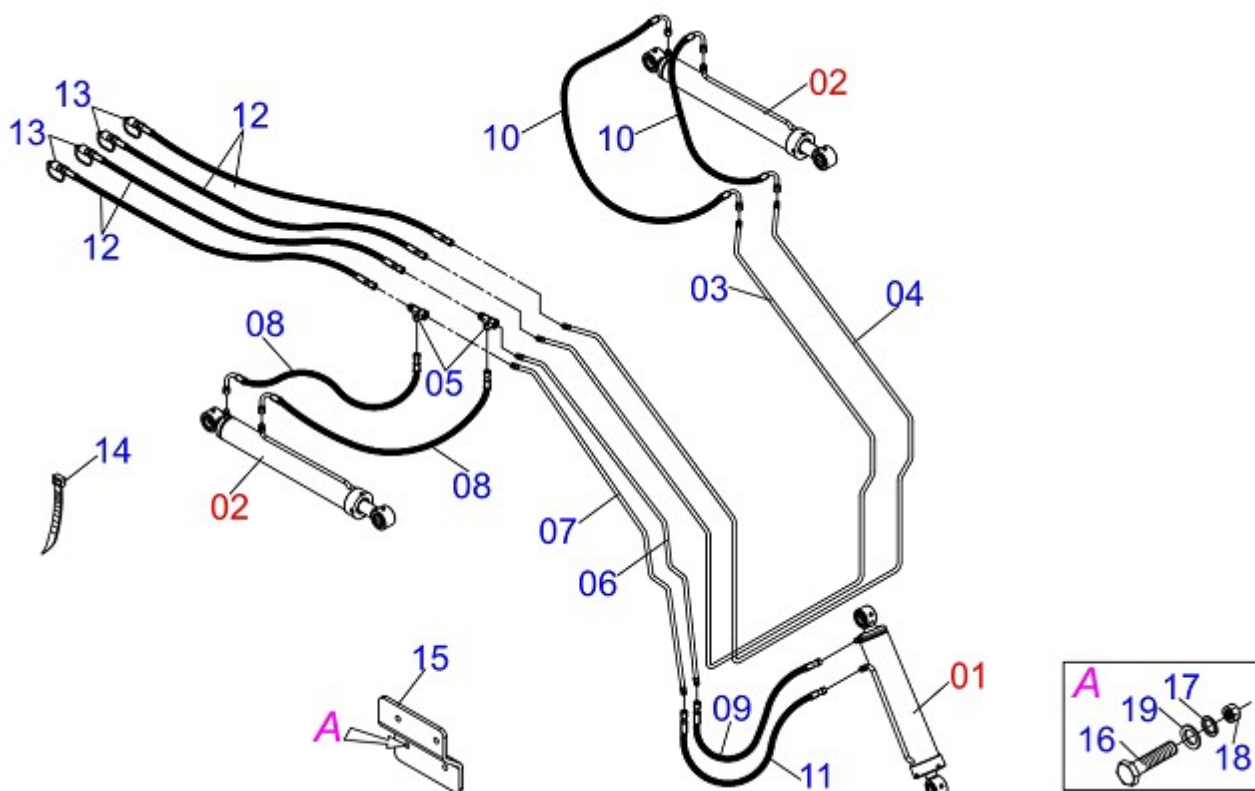
MARCHESAN RESERVES THE RIGHT AT ANY TIME TO MAKE IMPROVEMENTS IN THE DESIGN, MATERIAL OR SPECIFICATIONS OF MACHINERY, EQUIPMENT OR PARTS WITHOUT THEREBY BECOMING LIABLE TO MAKE SIMILAR CHANGES IN MACHINERY, EQUIPMENT OR PARTS PREVIOUSLY SOLD.



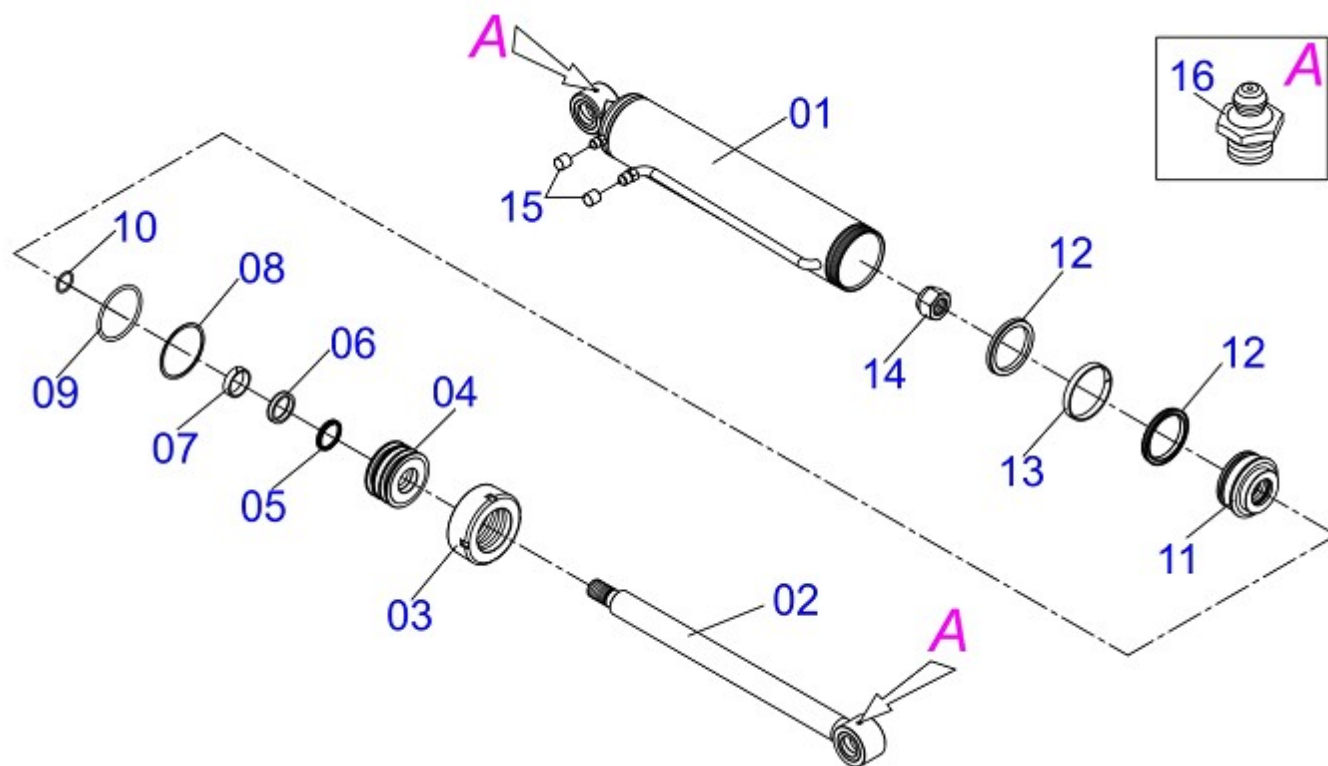
Item	Code	Description	QT
01	0521061958	SOPORTE MÓVIL	01
02	0501069934	ARTÍCULOS SOPORTE	01
03	0511019519	1.5" X 1.4" PIVOT SHAFT	04
04	0503010534	3/8" X 2-1/2" COTTERPIN	10
05	0503010002	GREASE FITTING	04
06	0511043510	CIL HIDR 44,45 X 101,6 X 670 X 390	01
07	0511019521	1.5" X 1.4" PIVOT SHAFT	02
08	0511019685	FLAT WASHER	06
09	0503010071	3/16" X 1" COTTERPIN	08
10	0561016329	LATCH HOLDER REST PCA	04
11	0502012382	RIGHT MOBILE TOWER	01
12	0502012381	LEFT MOBILE TOWER	01
13	0511044861	HYDRAULIC CILINDER	02
14	0521010904	1.5" X 1.4" PIVOT SHAFT	02
15	0511019520	1.5" X 1.4" PIVOT SHAFT	02
16	0511017302	FLAT WASHER	08
17	0561016619	COMPLEMENTON REST	02
18	0511019634	CONTROL LOCK	02
19	0561016401	PLOUGH SUPPORTE BODY	02
20	0521012823	COUPLING SHAFT	02
21	0511013598	3/4" X 4.7" COUPLING SHAFT	02
22	0521062041	CHASIS DERECHO PCA 600 JD	01
23	0521062042	CHASIS IZQUIERDA PCA 600 JD	01
24	0511047849	BLADE FRONT	01
24A	0511064165	BLADE FRONT	01
24B	0531019518	SCRAPER 2220 X 6 X 1/2	01
24C	0501012239	5/8" X 1-3/4" BOLT	07
24D	0571010265	FLAT WASHER	07
24E	0503011445	5/8" SPRING WASHER	07
24F	0503010013	5/8" NUT	07
25	0503014378	1/2" X 1-1/2" BOLT	02
26	0502010477	UPPER CLAMP BODY	06
27	0503012555	7/16" X 2" BOLT	03



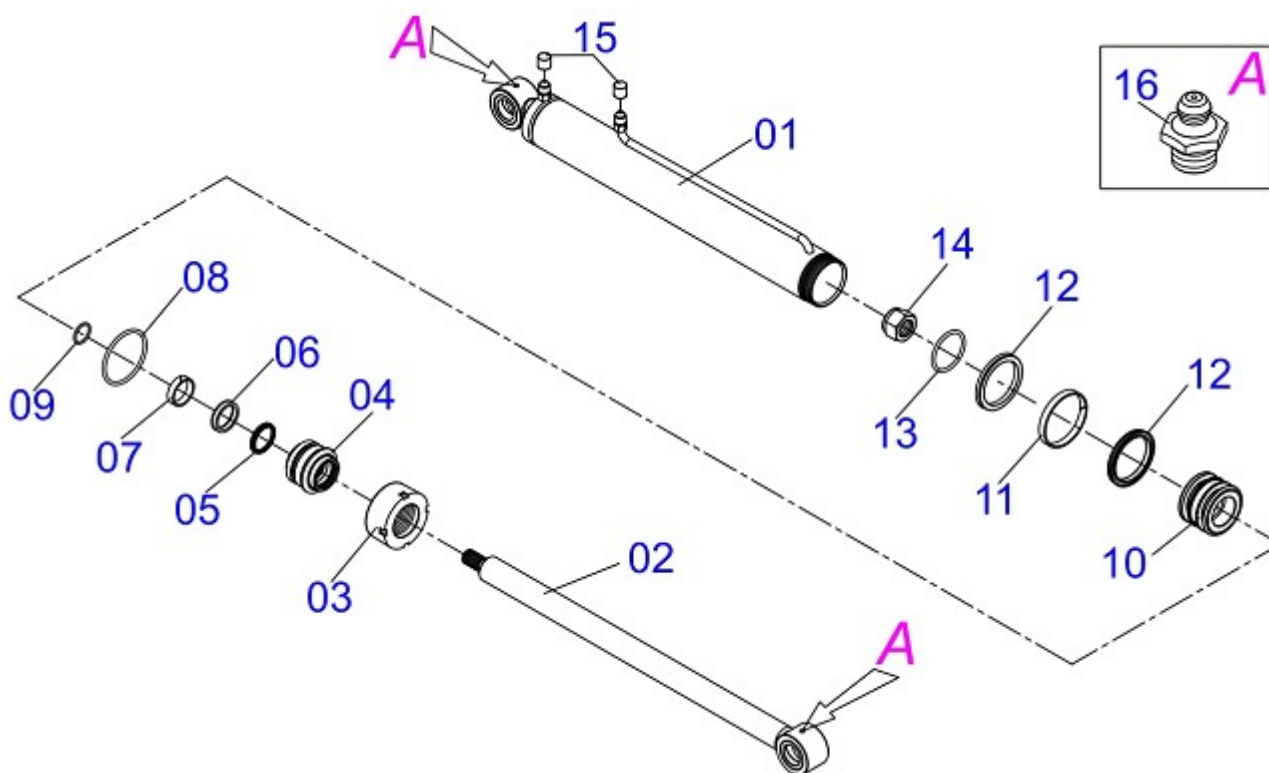
Item	Code	Description	QT
28	0503010180	7/16" SPRING WASHER	06
29	0531011180	UPPER CLAMP BODY	03
30	0503011102	7/16" X 1-1/4" BOLT	03
31	0521061682	EJE FIJACIÓN SOPORTE MÓVIL	02
32	0511064780	SHOE SLIDE LIGHT STABILIZING	02
33	0501068213	5/8" WRENCH DOUBLE	01
34	0561017651	ZAPATA DEL DIFERENCIAL	02
35	0501010500	3/4" X 3" BOLT	04
36	0501010322	FLAT WASHER	12
37	0503010023	3/4" SPRING WASHER	16
38	0503010014	3/4" NUT	06
39	0503030012	HAIR PIN	02
40	0501069447	1.5" X 1.4" PIVOT SHAFT	02
41	0503030430	7/16 X 2" PIN LOCK	02
42	0501012916	FLAT WASHER	02
43	0503011188	M16 X 2 X 50 BOLT	04
44	0503010027	5/8" SPRING WASHER	06
45	0503012573	M16 X 2 X 65 BOLT	02
46	0531016799		02
47	0503013104	M20 X 3.1" BOLT	08
48	0501018246	3/4" X 3" BOLT	02
49	0561017654	PERNO M20 X 2.5 X 270	04
50	0503015985	TUERCA M20 X 2.5 HEXAGONAL	08



Item	Code	Description	QT
01	0511043510	CIL HIDR 44,45 X 101,6 X 670 X 390	01
02	0511044861	HYDRAULIC CILINDER	02
03	0521061971	LEFT INTERNAL OIL DISTRIBUTOR	01
04	0521061972	LEFT OUTER OIL DISTRIBUTOR	01
05	0503011968	"T" ADAPTOR WITH GIRAT NUT 3/8	02
06	0521061996	22Z GEAR	01
07	0521062948	UPPER OUTER OIL DISTRIBUTOR	01
08	0501080599	3/8" X 25" TC-TR HOSE	02
09	0501080635	HOSE 3/8 X 500 TR TR	01
10	0501080688	3/8" X 25" TC-TC 90G HOSE	02
11	0501080709	3/8" X 21.6" TR-TR HOSE	01
12	0501081124	HOSE 3/8" X 4200-TM TR	04
13	0501053834	QUICK CONECTION (MALE) 1/2NPT	04
14	0503013527	CLAMP ZIPER	04
15	0561017868	GLASS PROTECTION SUPPORT BRACKET	01
16	0503010371	5/16" X 1" BOLT	04
17	0503010179	5/16" SPRING WASHER	04
18	0503010337	5/16" NUT	04
19	0501010694	FLAT WASHER	04



Item	Code	Description	QT
01	0511066339		01
02	0511066340		01
03	0502010017	4" HEAD	01
04	0571015239		01
05	0503010761	D-1750 SCRAPER RING	01
06	0503010990	GASKET	01
07	0503010949	W2-2000-500 PK RING G.E	01
08	0503011061	8-342 BACK-UP RING	01
09	0503010338	2-342 N 3006-9B O'RING	01
10	0503010345	2-218 N 3006-9B O'RING	01
11	0571015240		01
12	0503010043	PACKING 3750-3250	02
13	0503010994	W2-4000-500 PK RING G.E	01
14	0503010817	1.1/4" UNF SELF ADJUSTING NUT	01
15	0503030385	PLUG CYLINDER	02
16	0503010002	GREASE FITTING	02



Item	Code	Description	QT
00	0511044861	HYDRAULIC CILINDER	01
01	0511067373	76,2 X 740 CYLINDER CASE	01
02	0511067374	44,45 X 756 TURNBUCKLE	01
03	0502011899	MOBILE COVER	01
04	0502011897	RING SUPPORT	01
05	0503010761	D-1750 SCRAPER RING	01
06	0503010990	GASKET	01
07	0503010949	W2-2000-500 PK RING G.E	01
08	0503010343	2-334 N 3006-9B O'RING	01
09	0503011059	8-334 BACK-UP RING	01
10	0502011898	1.8" X 3.0" PISTON	01
11	0503010992	W2-3000-500 PK RING G.E	01
12	0503012768	3750-2250 GASKET	02
13	0503010345	2-218 N 3006-9B O'RING	01
14	0503010063	1" SELF-ALIGNING NUT	01
15	0503030387	PLUG	02
16	0503010002	GREASE FITTING	02



MARCHESAN

MARCHESAN IMPLEMENTOS E MÁQUINAS AGRÍCOLAS TATU S.A.

AV. Marchesan, 1979 - Post office box, 131 - CEP 15994-900 - Matão - SP - Brazil

Phone +55 16.3382-8282

(FAX Parts) + 55 16.3382. 8297 - (Export) + 55 16.3382.1003

e.mail: tatu@marchesan.com.br www.marchesan.com.br

*Drafting and Illustration = GASPARI
e.mail = jgaspari@marchesan.com.br*

**ORIGINAL PARTS
TATU**



MARCHESAN