

PARTS CATALOG

AUXILIARY PRODUCTS

LTA 3000 H

Code: 0501091068



Series: S-0712

Review: AGOSTO/2017

**ORIGINAL PARTS
TATU**



PRODUCTS

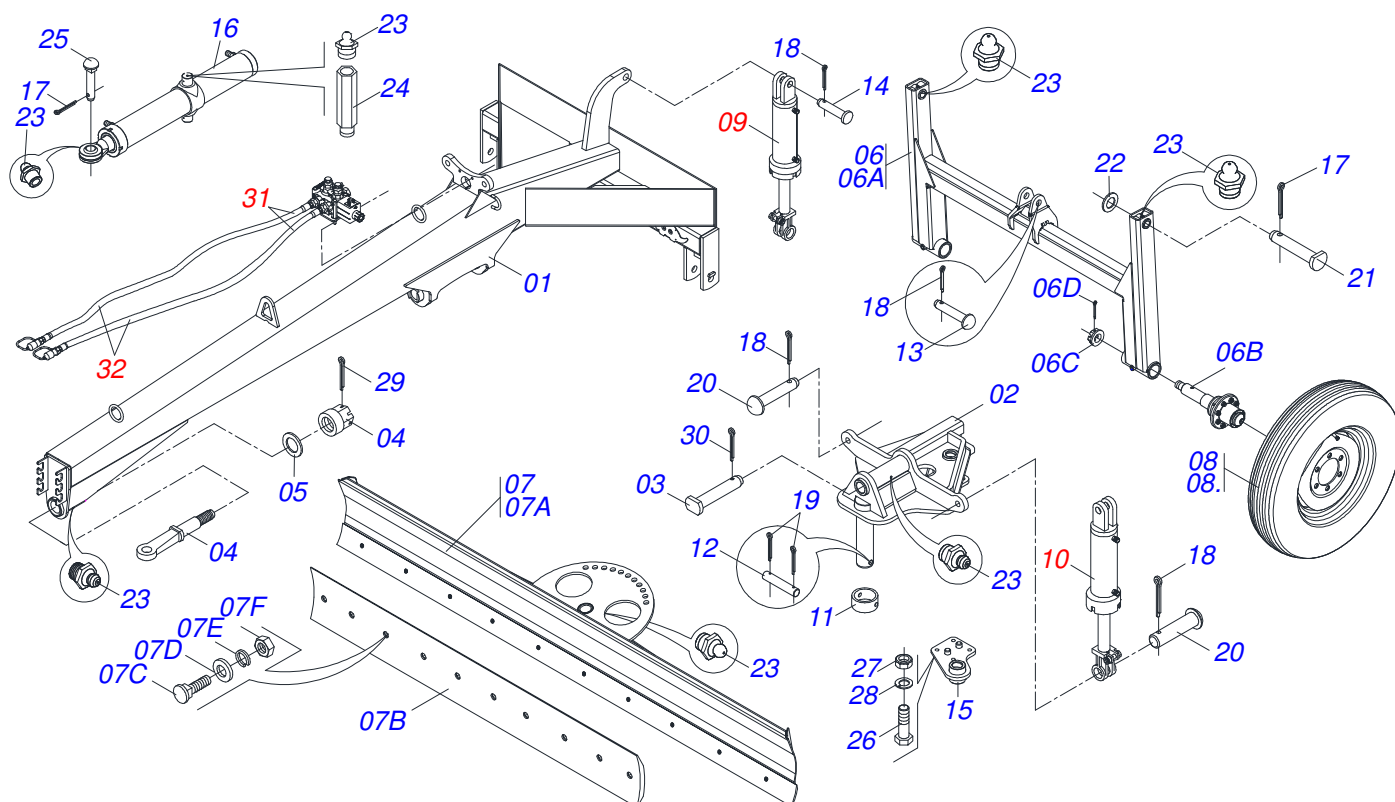
Code	Description
0106060030	LTA 3000 H S-0712
0106060034	LTA-V 3000H S-0712
0106060039	LTA 3000 H C/VALV S-0712
0106060045	LTA 3000 H C/VALV C/PNEU 750X16-10L S-0712
0106060046	LTA 3000 H C/VALV C/RODA/CUBO S/PNEU S-0712

ATTENTION: **IMPORTANT**

MARCHESAN S/A RESERVES THE RIGHT AT ANY TIME TO MAKE IMPROVEMENTS IN THE DESIGN, MATERIAL OR SPECIFICATIONS OF MACHINERY, EQUIPMENT OR PARTS WITHOUT THEREBY BECOMING LIABLE TO MAKE SIMILAR CHANGES IN MACHINERY, EQUIPMENT OR PARTS PREVIOUSLY SOLD.

INDEX

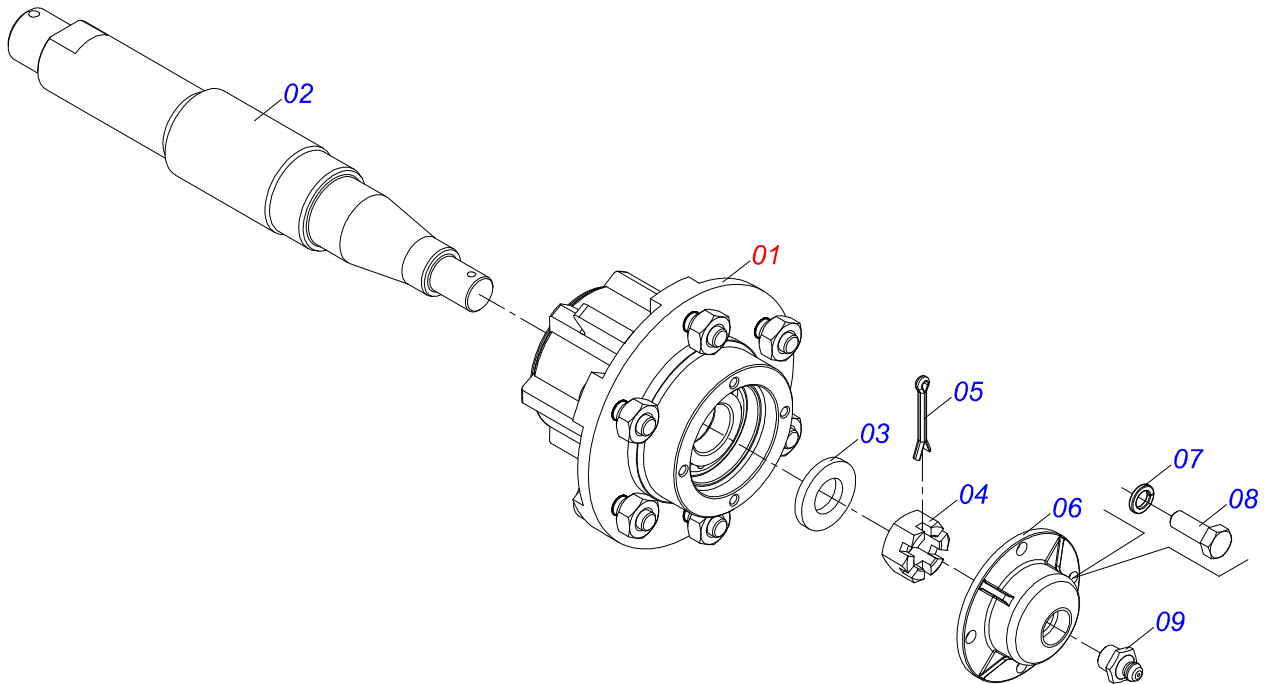
0909091591	FRAME	1
0501051634	TSTUB SHAFT & HUB ASSY	2
0501051142	CARRYING WHEEL HUB	3
0511058426	HYDRAULIC CYLINDER	4
0511058413	HYDRAULIC CYLINDER	5
0521041913	HYDRAULIC CYLINDER	6
0909091592	HYDRAULIC CIRCUIT WITH VALVE	7
0909091593	HYDRAULIC CIRCUIT WITHOUT VALVE	8
0909091594	HYDRAULIC CIRCUIT	9



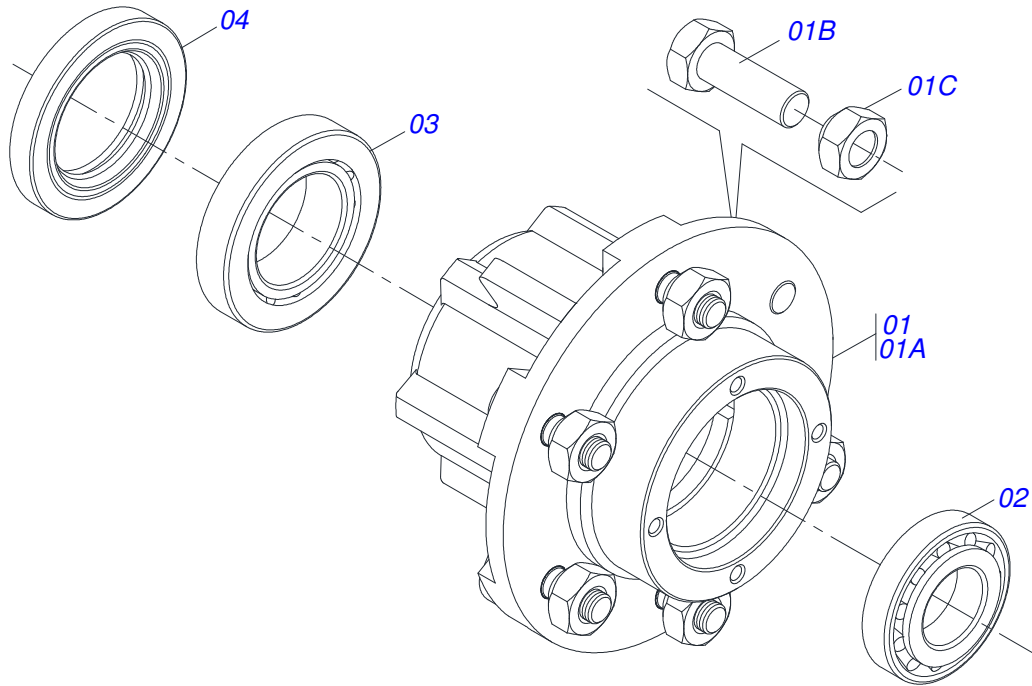
Item	Code	Description	QT
01	0521060610	FRAME	01
02	0521063162	SUPPORT	01
03	0561012652	BLADE SHAFT ARTICULATOR LTA 3000	01
04	0503061649	PONTEIRA HITCH SILPA	01
05	0511019776	FLAT WASHER	01
06	0511047822	STUB SHAFT & HUB ASSY	01
06A	0521060612	WHEEL	01
06B	0501051634	TSTUB SHAFT & HUB ASSY	02
06C	0501011301	1.1/2 UNC 6FPP 2.5/16 NUT	02
06D	0503010010	1/4" X 2.1/2" COTTERPIN	02
07	0521040859	LAMP	01
07A	0521063163	LAMINA 3000 LTA 3000C/CH	01
07B	0561012685	SCRAPER	01
07C	0501012239	5/8" X 1.3/4" BOLT	10
07D	0571010265	FLAT WASHER	10
07E	0503011445	SPRING WASHER	10
07F	0503010013	5/8" NUT	10
08	0503060094	WHEEL AND TIRE ASSY	02
08.	0503060091	L29.5"X0.63"-10L WHEEL AND	02
09	0511058426	HYDRAULIC CYLINDER	01
10	0511058413	HYDRAULIC CYLINDER	02
11	0561012651	SLEEVE 74.50 X 101.60 X 40	01
12	0511013598	3/4" X 4.7" COUPLING SHAFT	01
13	0521010545	1.2" X 5.1" COUPLING SHAFT	01
14	0521012538	1.2" X 3.5" COUPLING SHAFT	01
15	0521063160	FIXER	01
16	0521041913	HYDRAULIC CYLINDER	01
17	0503010534	3/8 X 2-1/2 COTTERPIN	03
18	0503010523	1/4" X 2" COTTERPIN	06
19	0503010071	3/16" X 1" COTTERPIN	02
20	0521010575	C0.9" X 3.3" COUPLING SHAFT	04
21	0561012693	SHAFT JOINT 31.20 X 163 LTA	02
22	0501010307	FLAT WASHER	02



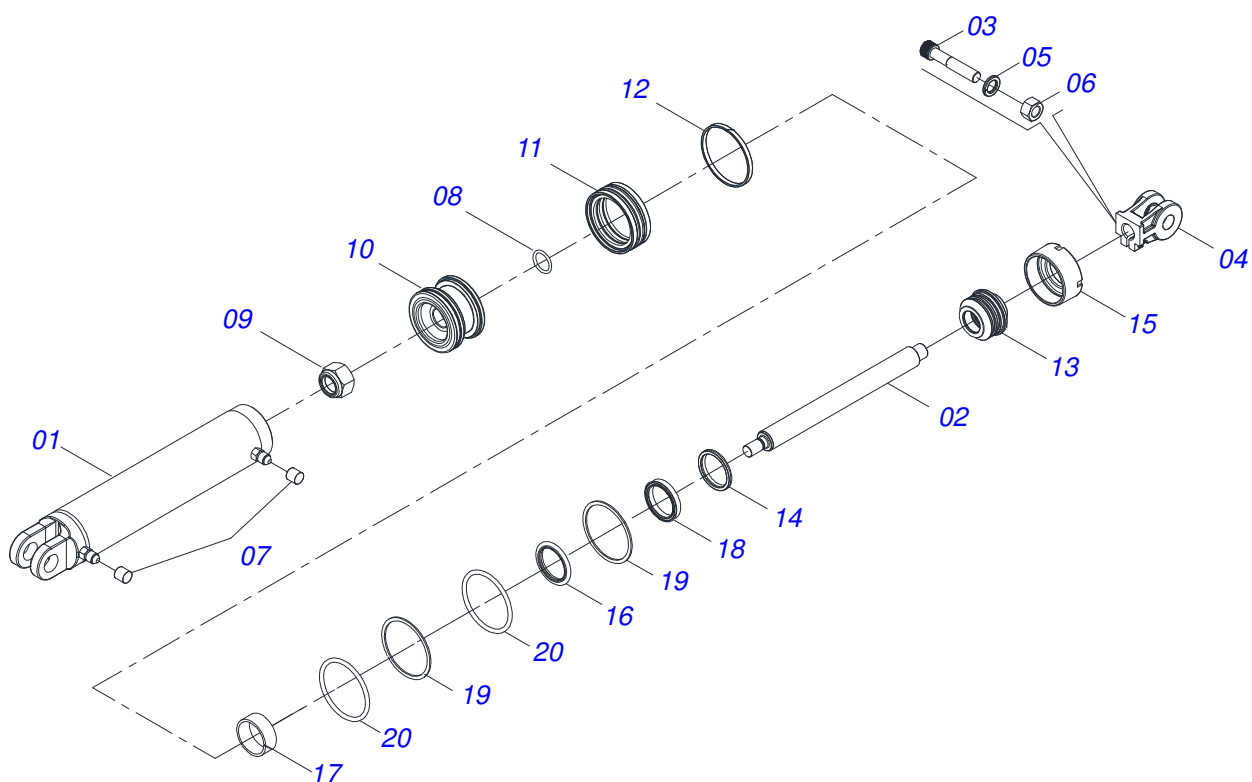
Item	Code	Description	QT
23	0503010002	1800 GREASE FITTING	08
24	0501019757	EXTENSION GREASE FITTING	02
25	0511019520	1.5" X 1.4" PIVOT SHAFT	01
26	0503010899	5/8" X 2-1/4" BOLT	04
27	0503010013	5/8" NUT	04
28	0503010027	SPRING WASHER	04
29	0503012213	1/4" X 4 COTTERPIN	01
30	0503010073	3/8 X 3-1/2 COTTERPIN	01
31	0521023764	HYDRAULIC CIRCUIT	01
32	0909091592	HYDRAULIC CIRCUIT WITH VALVE	01



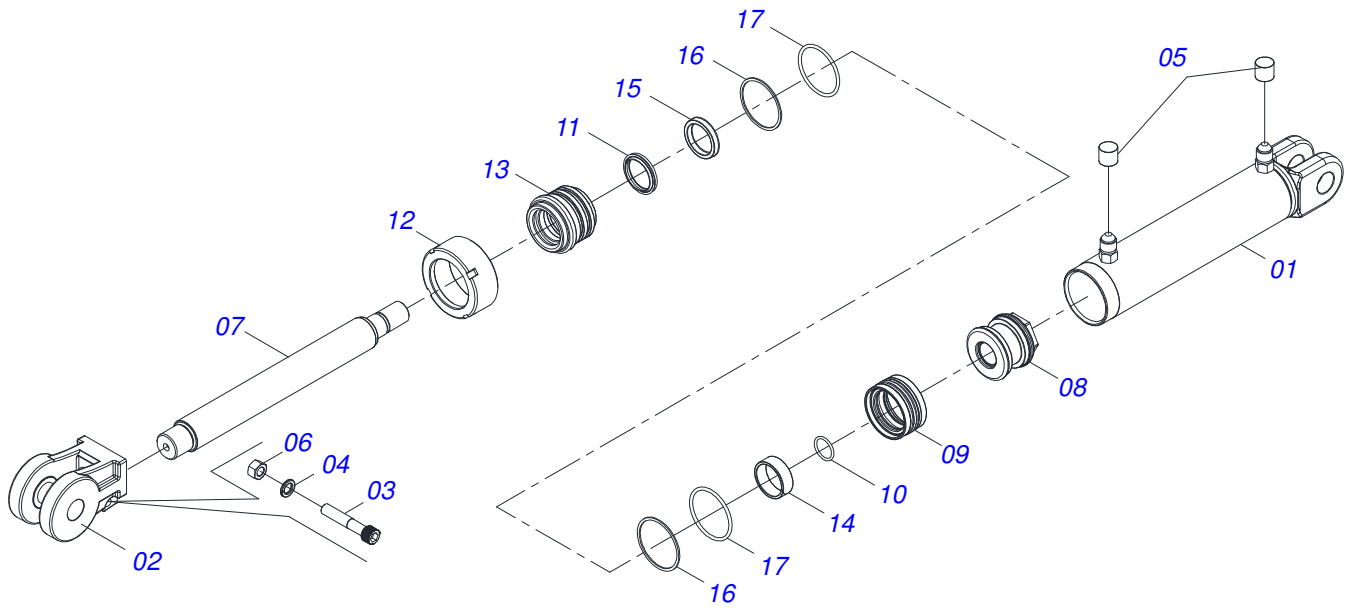
Item	Code	Description	QT
01	0501051142	CARRYING WHEEL HUB	01
02	0521010821	2.5" X 16.5" AXLE	01
03	0501016545	FLAT WASHER	01
04	0503030009	1" CASTLE NUT	01
05	0503010018	5/32 X 1-1/2 COTTERPIN	01
06	0502020591	PROTECCION COVER	01
07	0503011444	SPRING WASHER	04
08	0503010358	5/16" X 5/8" BOLT	04
09	0503010002	1800 GREASE FITTING	01



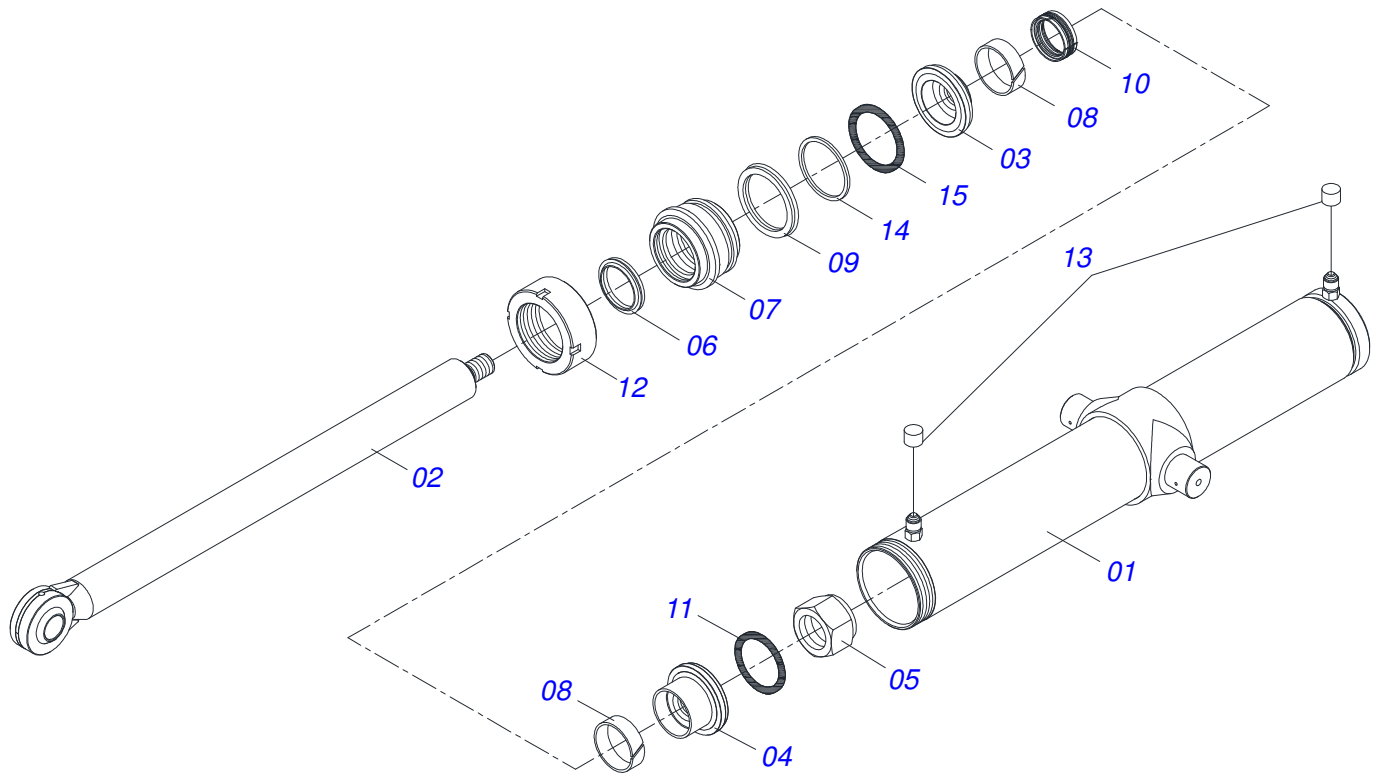
Item	Code	Description	QT
01	0501110728	WHEEL HUB	01
01A	0502011121	CARRYING WHEEL HUB	01
01B	0501010127	9/16" X 1-7/8" LUG BOLT	06
01C	0503010035	9/16" CONIC NUT	06
02	0503010037	30207 ROLLER BEARING	01
03	0503010006	32210 ROLLER BEARING	01
04	0503012928	SEAL	01



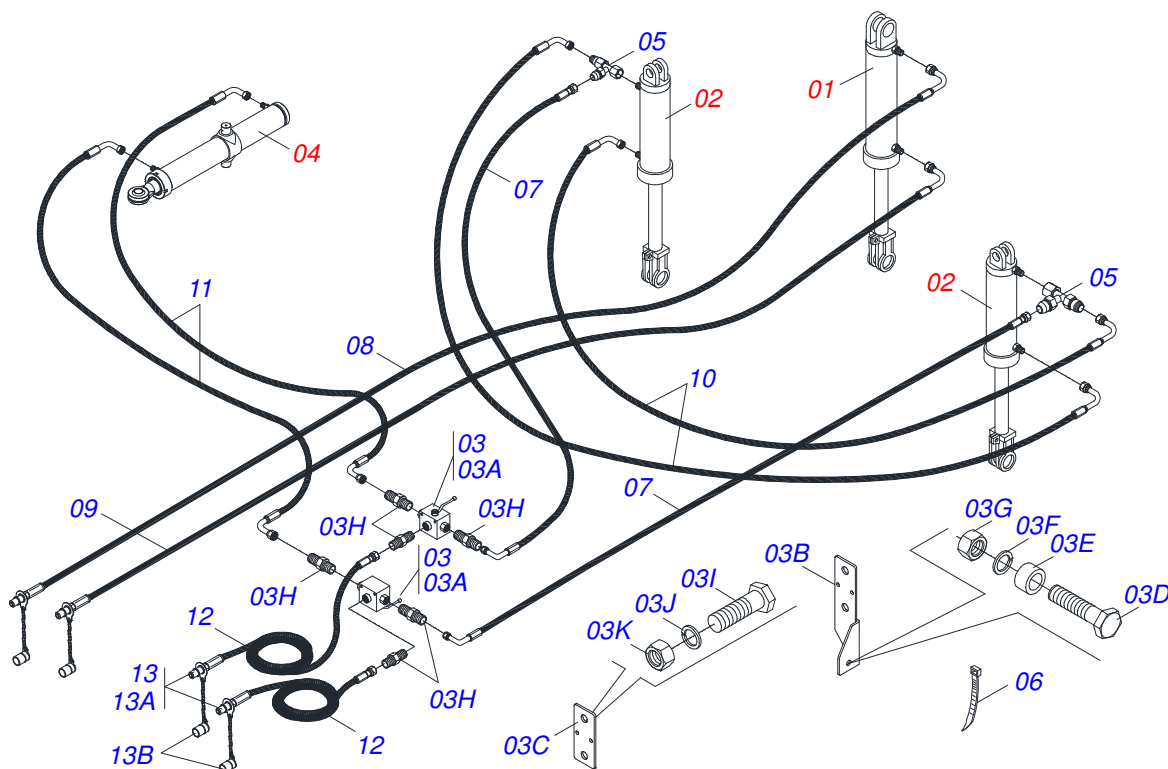
Item	Code	Description	QT
001	0511065683	85,72 X 509 CYLINDER CASE	01
002	0521010827	HYDRAULIC CYLINDER TURNBUCKLE	01
003	0503011094	3/8" X 2" BOLT C C S I 12.9	01
004	0502040747	FORK	01
005	0503011443	SPRING WASHER	01
006	0503010026	3/8" NUT	01
007	0503030385	PLUG	02
008	0503010042	2-214 N 3006-9B O'RING	01
009	0503010063	1" SELF-ALIGNING NUT	01
010	0571019710	1.7" X 3.4" PISTON	01
011	0503017935	RING	01
012	0503018144	RING	01
013	0571019711	RING SUPPORT	01
014	0503010761	D-1750 SCRAPER RING	01
015	0571019709	DETACHABLE COVER	01
016	0503017936	RING	01
017	0503017938	RING GUIDE	01
018	0503017937	GASKET	01
019	0503017940	8-337 BACK-UP RING	02
020	0503017939	2-337 N 3006-9B O' RING	02



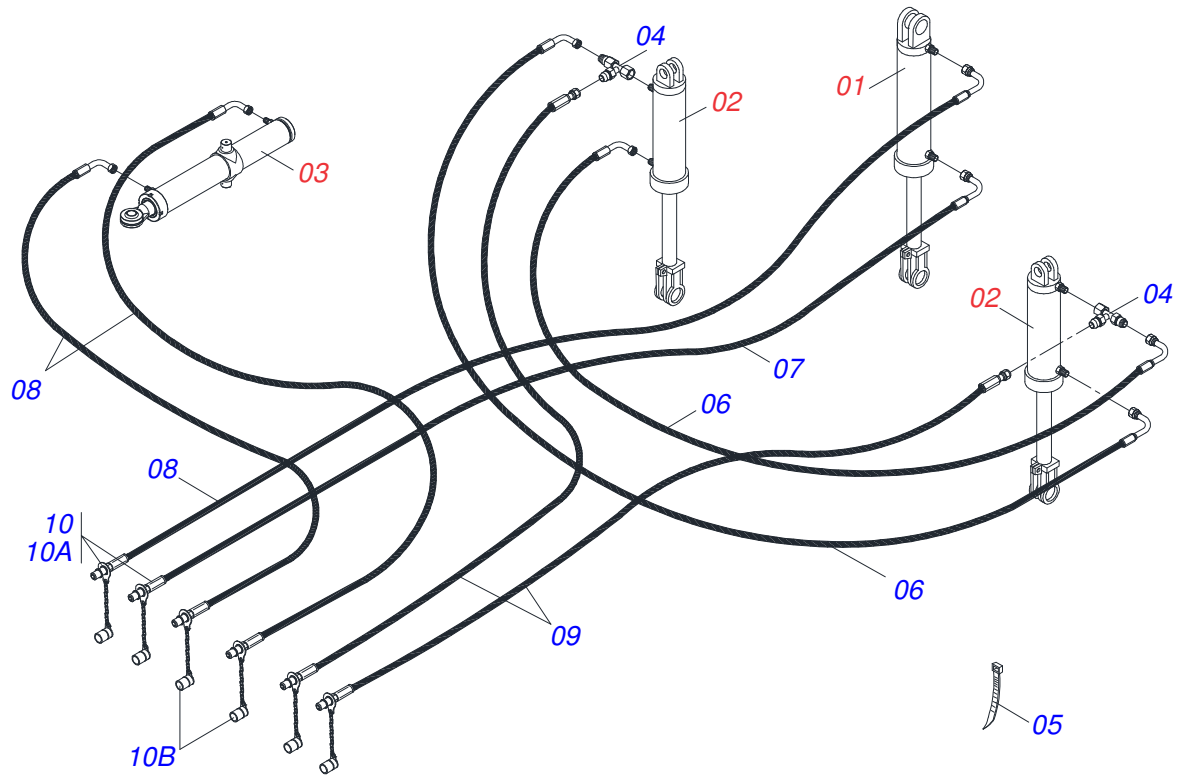
Item	Code	Description	QT
001	0521066627	CYLINDER CASE	01
002	0502040493	CLEVIS 26,50 R41	01
003	0503011094	3/8" X 2" BOLT C C S I 12.9	01
004	0503011443	SPRING WASHER	01
005	0503030385	PLUG	02
006	0503010026	3/8" NUT	01
007	0581010838	TURNBUCLE BODY	01
008	0502012837	PISTON	01
009	0503018005	RING	01
010	0503011109	2-119 N 3006-9B O'RING	01
011	0503010163	D-1500 SCRAPER RING	01
012	0502010471	MOBILE COVER	01
013	0581010668	RING SUPPORT	01
014	0503018004	RING	01
015	0503018003	GASKET	01
016	0503018163	BACK-UP RING	02
017	0503018162	O'RING	02



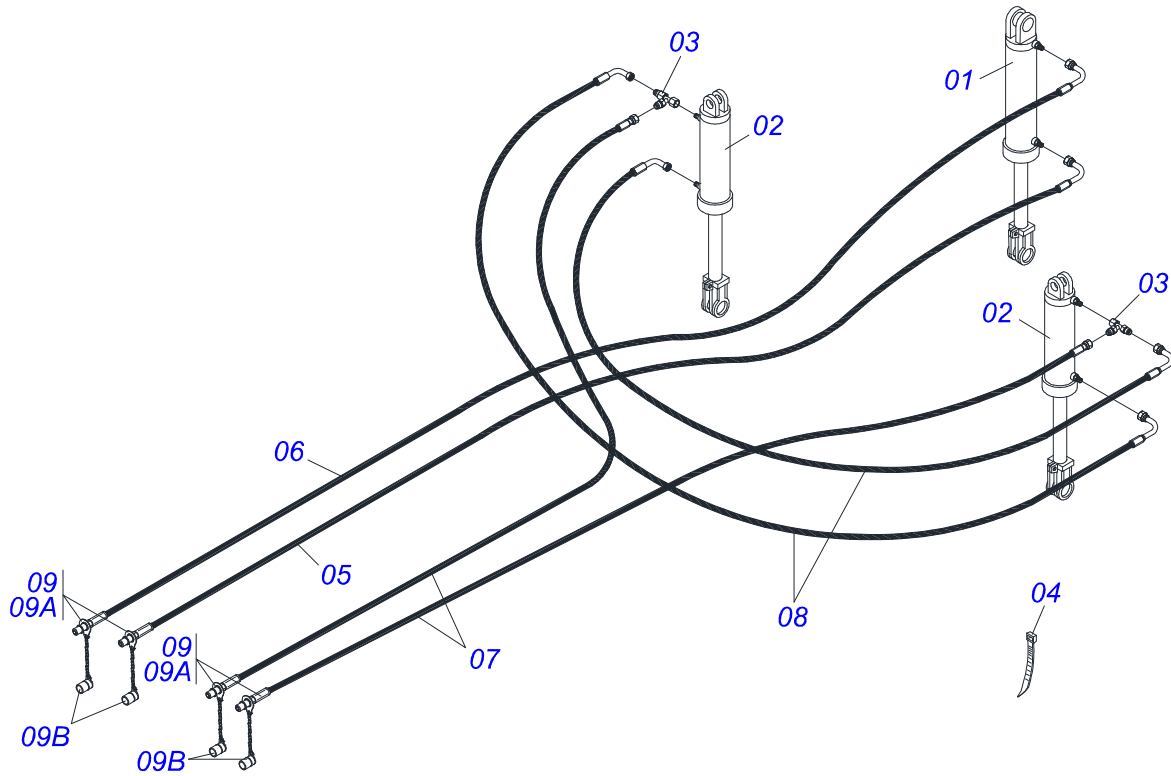
Item	Code	Description	QT
001	0521063853	CYLINDER CASE	01
002	0521063852	TURNBUCKLE	01
003	0571013322	PISTON BODY	01
004	0561016387	PISTON BODY	01
005	0503010817	1-1/4" SELF-ADJUSTING NUT	01
006	0503010287	D-2500 SCRAPER RING	01
007	0551016459	RING SUPPORT 2.1/2	01
008	0503010971	W2-2750-500 PK RING G.I	02
009	0503010288	PACKING 2500-2500-375-B	01
010	0503015633	SELEMASTER SEALING	01
011	0503010345	2-218 N 3006-9B O'RING	01
012	0551010932	MOBILE COVER	01
013	0503030385	PLUG	02
014	0503011061	8-342 BACK-UP RING	01
015	0503010338	2-342 N 3006-9B O'RING	01



Item	Code	Description	QT
01	0511058426	HYDRAULIC CYLINDER	01
02	0511058413	HYDRAULIC CYLINDER	02
03	0511053207	VALVE	01
03A	0503016612	VALVE	02
03B	0571013795	VALVE SUPPORT	01
03C	0571013797	FIXER PLATE	01
03D	0503010920	1/2" X 1.1/2" BOLT	01
03E	0571013796	SLEVE FIXATION	01
03F	0503010019	1/2" SPRING WASHER	01
03G	0503010060	1/2" NUT	01
03H	0571013798	NIPPLE	06
03I	0503011179	3/8" X 2-1/4" BOLT	02
03J	0503010025	3/8 SPRING WASHER	02
03K	0503010026	3/8" NUT	02
04	0521041913	HYDRAULIC CYLINDER	01
05	0503011968	T ADAPTOR WITH GIRAT	02
06	0503013100	NYLON CLAMP	04
07	0501080414	3/8" X 110.2" TR-TC HOSE ASSY	02
08	0501080410	3/8" X 208" TC-TM HOSE ASSY	01
09	0501080383	3/8" X 197" TC-TM HOSE ASSY	01
10	0501081296	3/8" X 800 TC-TC HOSE	02
11	0501080754	3/8" X 192" TC-TC HOSE ASSY	02
12	0501080852	3/8" X 1500 TR-TM HOSE	02
13	0501053834	QUICK CONECTION (MALE) 1/2	04
13A	0503011627	QUICK CONNECTION (MALE) AGR 1/2 NPT	04
13B	0503011882	QUICK CONNECTION COVER	04



Item	Code	Description	QT
01	0511058426	HYDRAULIC CYLINDER	01
02	0511058413	HYDRAULIC CYLINDER	02
03	0521041913	HYDRAULIC CYLINDER	01
04	0503011968	T ADAPTOR WITH GIRAT	02
05	0503013100	NYLON CLAMP	04
06	0501081296	3/8" X 800 TC-TC HOSE	02
07	0501080383	3/8" X 197" TC-TM HOSE ASSY	01
08	0501080410	3/8" X 208" TC-TM HOSE ASSY	03
09	0501081124	HOSE 3/8" X 4200-TM TR	02
10	0501053834	QUICK CONECTION (MALE) 1/2	06
10A	0503011627	QUICK CONNECTION (MALE) AGR 1/2 NPT	06
10B	0503011882	QUICK CONNECTION COVER	06



Item	Code	Description	QT
01	0511058426	HYDRAULIC CYLINDER	01
02	0511058413	HYDRAULIC CYLINDER	02
03	0503011968	T ADAPTOR WITH GIRAT	02
04	0503013100	NYLON CLAMP	01
05	0501080383	3/8" X 197" TC-TM HOSE ASSY	01
06	0501080410	3/8" X 208" TC-TM HOSE ASSY	01
07	0501081124	HOSE 3/8" X 4200-TM TR	02
08	0501081296	3/8" X 800 TC-TC HOSE	02
09	0501053834	QUICK CONECTION (MALE) 1/2	04
09A	0503011627	QUICK CONNECTION (MALE) AGR 1/2 NPT	04
09B	0503011882	QUICK CONNECTION COVER	04



MARCHESAN IMPLEMENTOS E MÁQUINAS AGRÍCOLAS TATU S.A.

AV. Marchesan, 1979 - Post office box, 131 - CEP 15994-900 - Matão - SP - Brazil

Phone +55 16.3382-8282

(FAX Parts) + 55 16.3382. 8297 - (Export) + 55 16.3382.1003

e.mail: tatu@marchesan.com.br www.marchesan.com.br

Technical Publications: Elaboration

ALESSANDRA PATRICIA KAWAHARA CARRILI

Technical Publications: Revision

ALESSANDRA PATRICIA KAWAHARA CARRILI

Contact Catálogo:

E-mail = jgaspari@marchesan.com.br

**ORIGINAL PARTS
TATU**

