

AUXILIARY PRODUCTS

LTA 5000

Code: 0501091067
Series: S-0311
Revision: 00
Date Revision: JUNHO/2022

PARTS CATALOGUE



MARCHESAN



PRODUCTS

Code	Description
0106060006	LTA 5000 C/PN 12.4-24 CUBO 8F S311
0106060003	LTA 5000 C/PNEU 11L15 CUBO 6F S-311
0106060024	LTA 5000 C/RODA FERRO CUBO 6F S-311
0106060027	LTA 5000 C/RODA/CUBO 8F S/PNEU S311
0106060023	LTA 5000 S/RODA/PNEU CUBO 6F S-0311
0106060025	LTA 5000 S/RODA/PNEU CUBO 8F S-0311
0106060026	LTA5000 C/RODA S/PNEU CUBO 6F S0311

ATTENTION: IMPORTANT

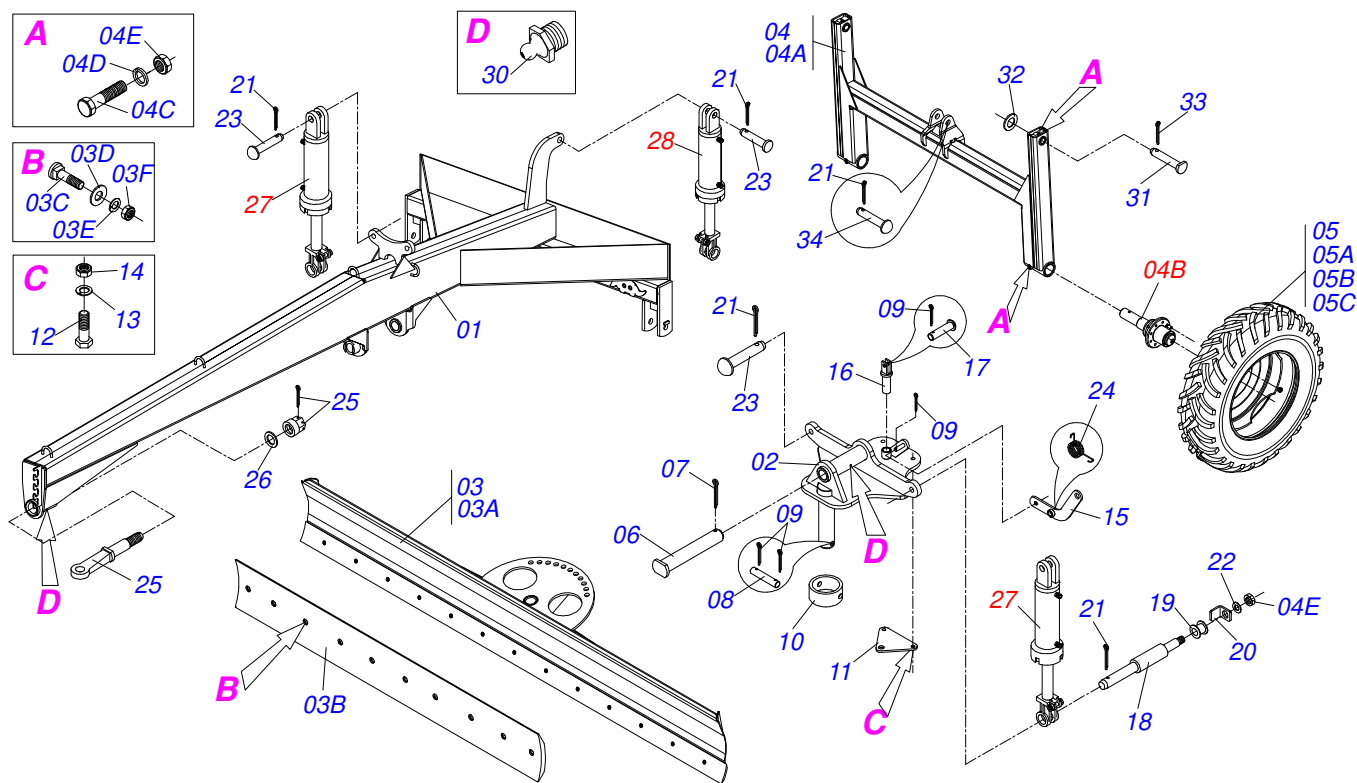
Marchesan S.A. reserves the right to improve and/or modify the technical features of its products, without obligation to do the same with those products already sold and without prior knowledge of the dealer or the consumer. The photos are only illustrative.



MARCHESAN

INDEX

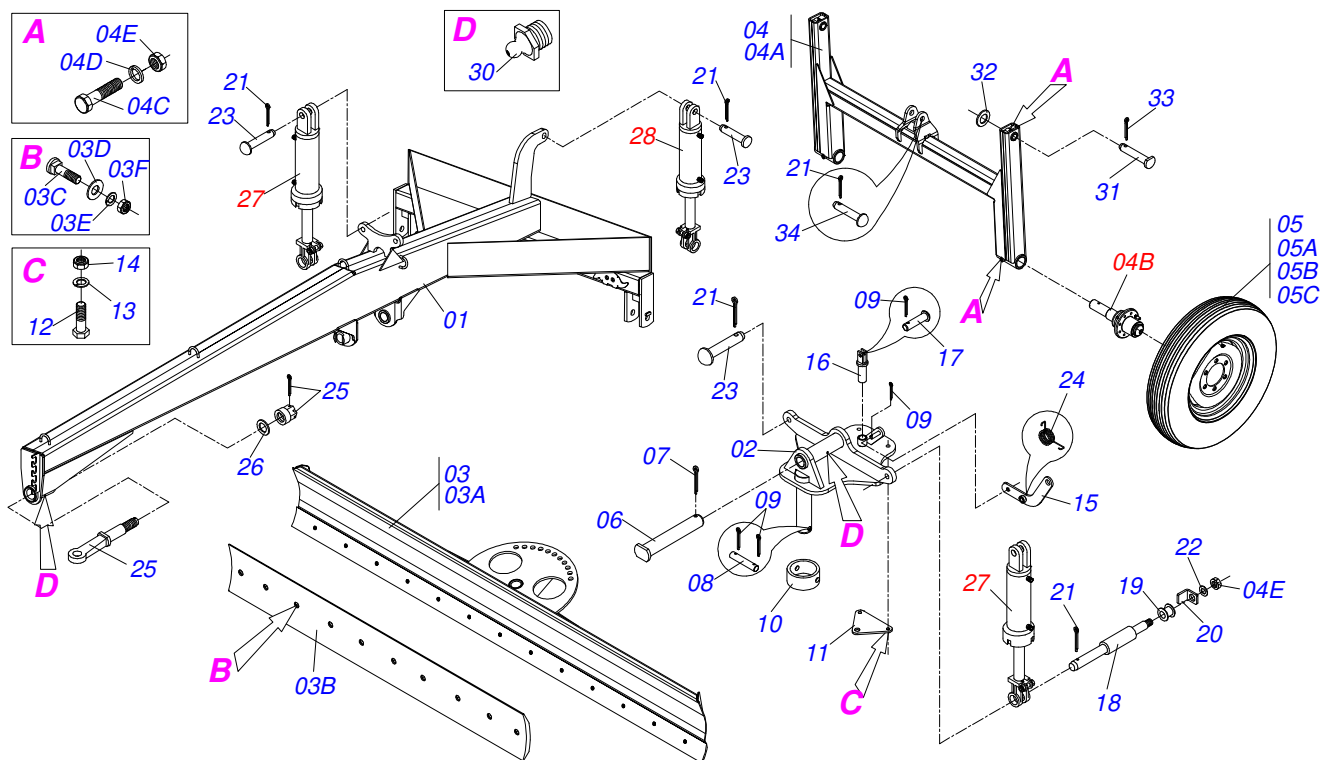
0909093245	FRAME WITH TIRE 11L15 12.4/11 X24	1
0909090502	FRAME TIRE 11 L15	2
0909090503	WEEL STEEL FRAME	3
0511050649	WHEEL	4
0501055907	STUB SHAFT & HUB ASSY	5
0503060181	WHEEL AND TIRE	6
0511047811	HYDRAULIC CYLINDER 38,1 X 690 X 484	7
0511042770	HYDRAULIC CYLINDER 44,45 X 85,7 X 625 X 330	8
0909091590	HYDRAULIC CIRCUIT	9



Item	Code	Description	See page	QT
01	0521062069	FRAME		01
02	0521060613	FIXER SUPPORT BLADE		01
03	0511049207	BLADE ASSY		01
03A	0521062075	BLADE		01
03B	0561017949	REVERSIBLE SCRAPER 4200		01
03C	0501012239	5/8" X 1.3/4" BOLT		13
03D	0501012140	FLAT WASHER		13
03E	0503011445	SPRING WASHER		13
03F	0503010013	5/8" NUT		13
04	0511049212	WHEEL		01
04A	0521062071	RODE		01
04B	0511050649	WHEEL	4	02
04C	0503016023	1/2 X 6 BOLT		02
04D	0503010019	1/2" SPRING WASHER		02
04E	0503010060	1/2" NUT		02
05	0511050650	WELL AND TIRE ASSY		02
05A	0503016024	CANVAS TIRE		01
05B	0503013040	0.5" X 1" VALVE STEM		01
05C	0511063924	DCCO 10500 WHEEL		01
06	0561012652	BLADE SHAFT ARTICULATOR		01
07	0503010073	3/8 X 3-1/2 COTTERPIN		01
08	0511013598	3/4" X 4.7" COUPLING SHAFT		01
09	0503010071	3/16" X 1" COTTERPIN		02
10	0561012651	SLEEVE 74.50 X 101.60 X 40		01
11	0561012656	BASE BODY LOWER PULLEY		01
12	0501010195	3/4" X 3-1/2" BOLT		02
13	0503010023	3/4" SPRING WASHER		02
14	0503010014	3/4" NUT		02
15	0521060616	LEVER LOCK BLADE		01
16	0521060615	LOCK PIN BLADE		01
17	0521010624	0.4" X 1.5" COUPLING SHAFT		01



Item	Code	Description	See page	QT
18	0561012721	FIXER AXLE CYLINDER		01
19	0503030402	PULLEY		01
20	0561012722	L GUIDE ROPE		01
21	0503010523	1/4" X 2" COTTERPIN		01
22	0511017302	FLAT WASHER		01
23	0521010575	C0.9" X 3.3" COUPLING SHAFT		03
24	0503030025	1.4" X 0.2" TORSION SPRING		01
25	0503061649	PONTEIRA HITCH SILPA		01
26	0511019776	FLAT WASHER		01
27	0511047811	HYDRAULIC CYLINDER 38,1 X 690 X 484	7	02
28	0511042770	HYDRAULIC CYLINDER 44,45 X 85,7 X 625 X 330	8	01
29	0521012538	1.2" X 3.5" COUPLING SHAFT		01
30	0503010002	1800 GREASE FITTING		05
31	0561012693	SHAFT JOINT 31.20 X 163		02
32	0501010307	FLAT WASHER		02
33	0503010534	3/8 X 2-1/2 COTTERPIN		02
34	0521010545	1.2" X 5.1" COUPLING SHAFT		01



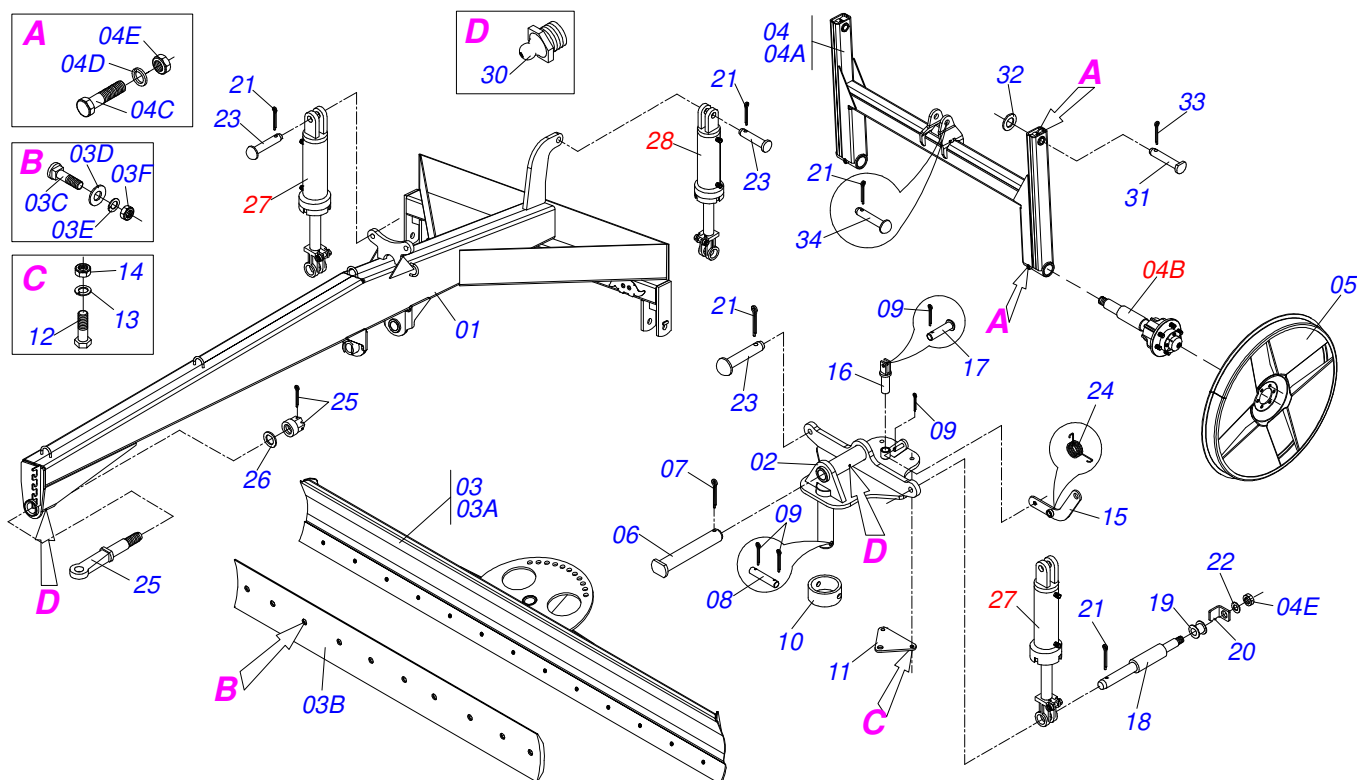
Item	Code	Description	See page	QT
01	0521062069	FRAME		01
02	0521060613	FIXER SUPPORT BLADE		01
03	0511049207	BLADE ASSY		01
03A	0521062075	BLADE		01
03B	0561017949	REVERSIBLE SCRAPER 4200		01
03C	0501012239	5/8" X 1.3/4" BOLT		13
03D	0501012140	FLAT WASHER		13
03E	0503011445	SPRING WASHER		13
03F	0503010013	5/8" NUT		13
04	0511049211	WHEELED		02
04A	0521062071	RODE		02
04B	0511045580	CARRYING WHEEL HUB ASSY		02
04C	0503016023	1/2 X 6 BOLT		02
04D	0503010019	1/2" SPRING WASHER		02
04E	0503010060	1/2" NUT		02
05	0503060181	WHEEL AND TIRE	6	02
05A	0503010858	CANVAS TIRE		02
05B	0503011468	WEEL		02
05C	0503010860	AIR CHAMBER 11L 15		02
06	0561012652	BLADE SHAFT ARTICULATOR		01
07	0503010073	3/8 X 3-1/2 COTTERPIN		01
08	0511013598	3/4" X 4.7" COUPLING SHAFT		01
09	0503010071	3/16" X 1" COTTERPIN		02
10	0561012651	SLEEVE 74.50 X 101.60 X 40		01
11	0561012656	BASE BODY LOWER PULLEY		01
12	0501010195	3/4" X 3-1/2" BOLT		02
13	0503010023	3/4" SPRING WASHER		02
14	0503010014	3/4" NUT		02
15	0521060616	LEVER LOCK BLADE		01
16	0521060615	LOCK PIN BLADE		01
17	0521010624	0.4" X 1.5" COUPLING SHAFT		01



LTA 5000
FRAME TIRE 11 L15

Page 2
0909090502

Item	Code	Description	See page	QT
18	0561012721	FIXER AXLE CYLINDER		01
19	0503030402	PULLEY		01
20	0561012722	L GUIDE ROPE		01
21	0503010523	1/4" X 2" COTTERPIN		01
22	0511017302	FLAT WASHER		01
23	0521010575	C0.9" X 3.3" COUPLING SHAFT		03
24	0503030025	1.4" X 0.2" TORSION SPRING		24
25	0503061649	PONTEIRA HITCH SILPA		01
26	0511019776	FLAT WASHER		01
27	0511047811	HYDRAULIC CYLINDER 38,1 X 690 X 484	7	02
28	0511042770	HYDRAULIC CYLINDER 44,45 X 85,7 X 625 X 330	8	01
29	0521012538	1.2" X 3.5" COUPLING SHAFT		01
30	0503010002	1800 GREASE FITTING		05
31	0561012693	SHAFT JOINT 31.20 X 163		02
32	0501010307	FLAT WASHER		02
33	0503010534	3/8 X 2-1/2 COTTERPIN		02
34	0521010545	1.2" X 5.1" COUPLING SHAFT		01



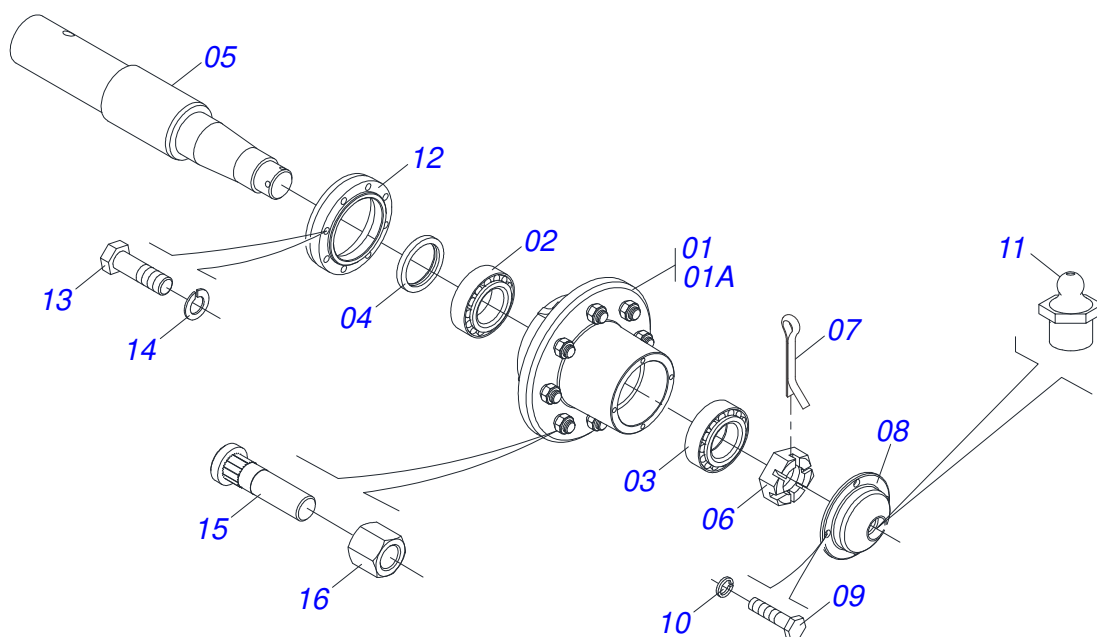
Item	Code	Description	See page	QT
01	0521062069	FRAME		01
02	0521060613	FIXER SUPPORT BLADE		02
03	0511049207	BLADE ASSY		01
03A	0521062075	BLADE		01
03B	0561017949	REVERSIBLE SCRAPER 4200		01
03C	0501012239	5/8" X 1.3/4" BOLT		13
03D	0501012140	FLAT WASHER		13
03E	0503011445	SPRING WASHER		13
03F	0503010013	5/8" NUT		13
04	0511049211	WHEELED		02
04A	0521062071	RODE		02
04B	0511045580	CARRYING WHEEL HUB ASSY		02
04C	0503016023	1/2 X 6 BOLT		02
04D	0503010019	1/2" SPRING WASHER		02
04E	0503010060	1/2" NUT		02
05	0511061898	WHEEL		02
06	0561012652	BLADE SHAFT ARTICULATOR		01
07	0503010073	3/8 X 3-1/2 COTTERPIN		01
08	0511013598	3/4" X 4.7" COUPLING SHAFT		01
09	0503010071	3/16" X 1" COTTERPIN		02
10	0561012651	SLEEVE 74.50 X 101.60 X 40		01
11	0561012656	BASE BODY LOWER PULLEY		01
12	0501010195	3/4" X 3-1/2" BOLT		02
13	0503010023	3/4" SPRING WASHER		02
14	0503010014	3/4" NUT		02
15	0521060616	LEVER LOCK BLADE		01
16	0521060615	LOCK PIN BLADE		01
17	0521010624	0.4" X 1.5" COUPLING SHAFT		01
18	0561012721	FIXER AXLE CYLINDER		01
19	0503030402	PULLEY		01
20	0561012722	L GUIDE ROPE		01



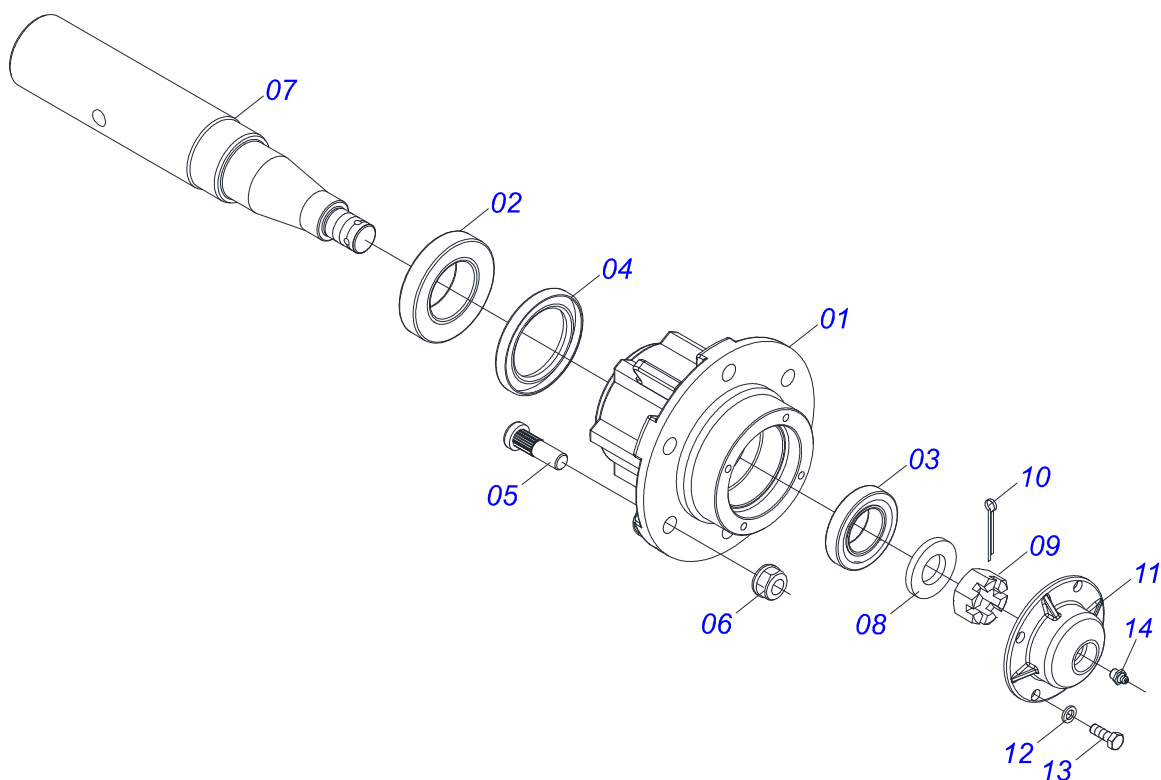
LTA 5000
WEEL STEEL FRAME

Page 3
0909090503

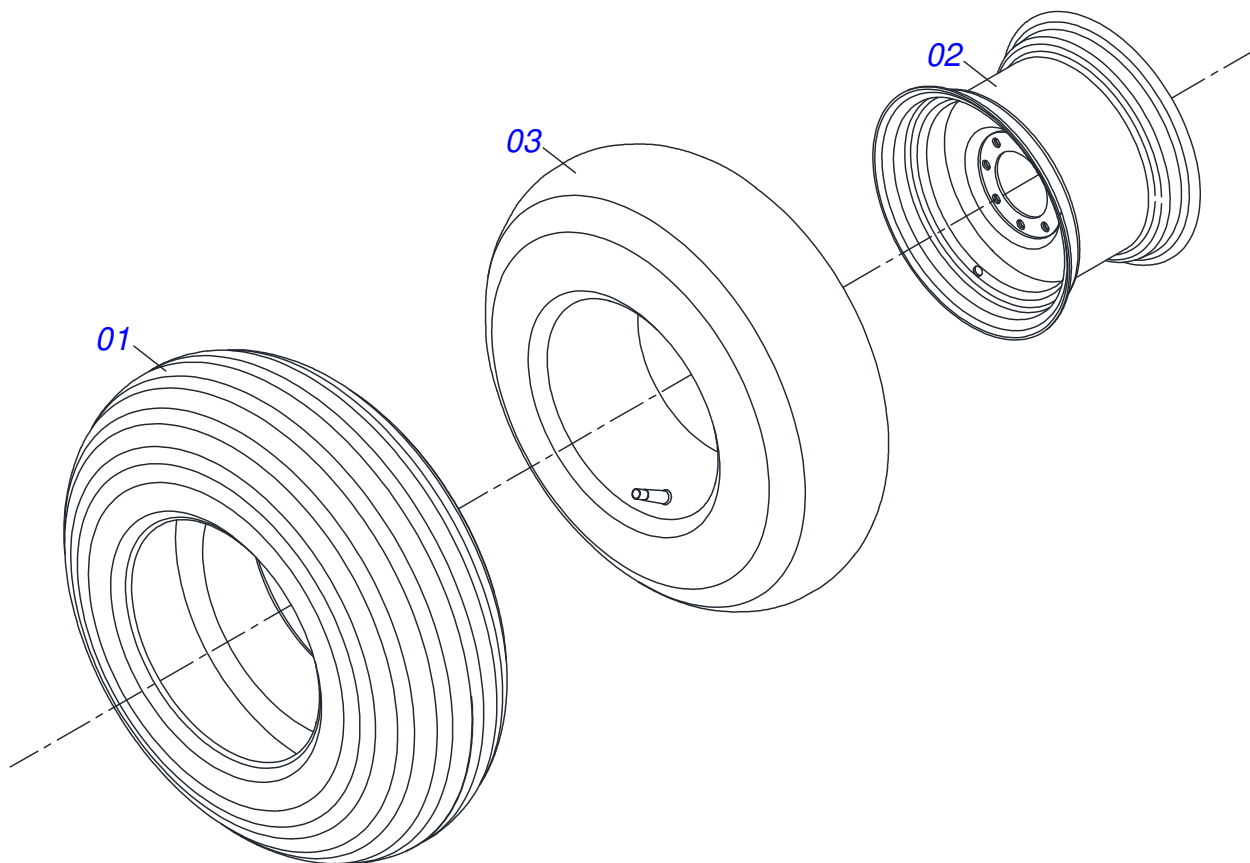
Item	Code	Description	See page	QT
21	0503010523	1/4" X 2" COTTERPIN		01
22	0511017302	FLAT WASHER		01
23	0521010575	C0.9" X 3.3" COUPLING SHAFT		03
24	0503030025	1.4" X 0.2" TORSION SPRING		01
25	0503061649	PONTEIRA HITCH SILPA		01
26	0511019776	FLAT WASHER		01
27	0511047811	HYDRAULIC CYLINDER 38,1 X 690 X 484	7	02
28	0511042770	HYDRAULIC CYLINDER 44,45 X 85,7 X 625 X 330	8	01
29	0521012538	1.2" X 3.5" COUPLING SHAFT		01
30	0503010002	1800 GREASE FITTING		05
31	0561012693	SHAFT JOINT 31.20 X 163		02
32	0501010307	FLAT WASHER		02
33	0503010534	3/8 X 2-1/2 COTTERPIN		02
34	0521010545	1.2" X 5.1" COUPLING SHAFT		01



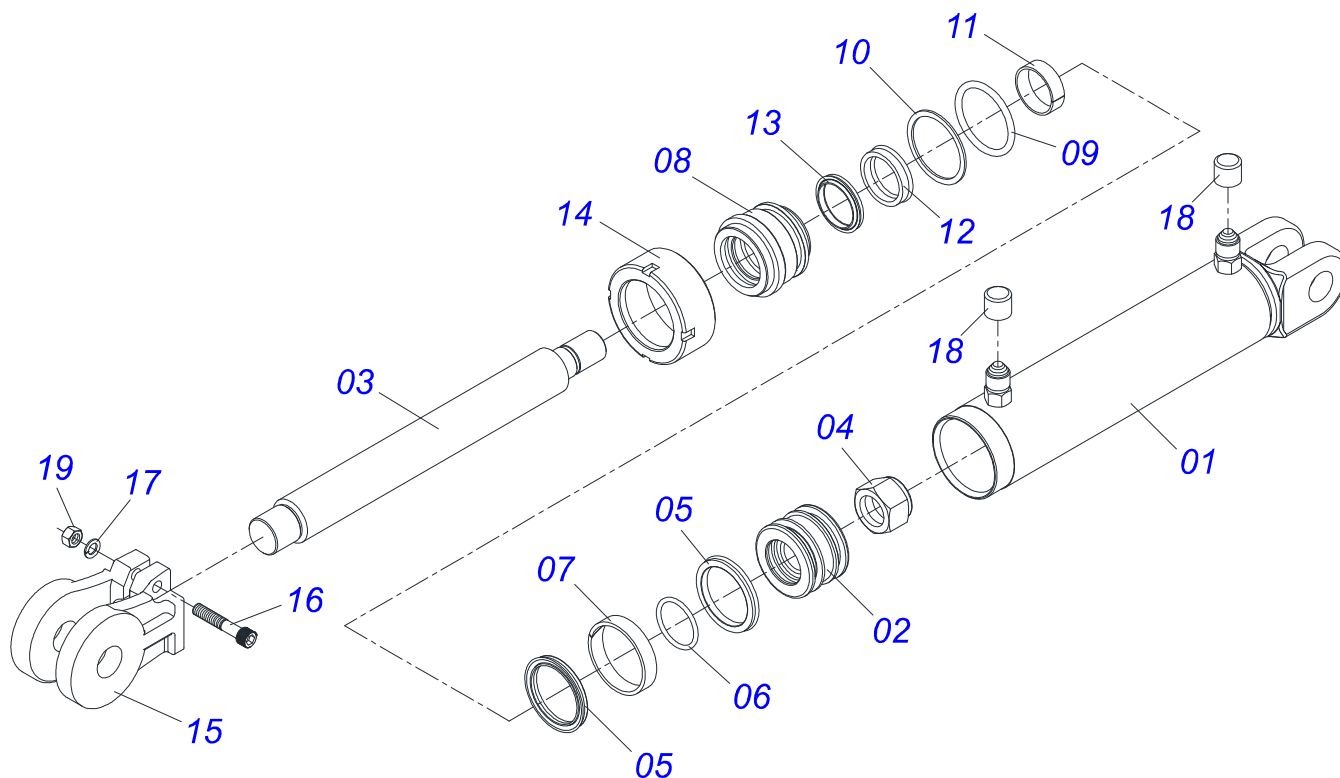
Item	Code	Description	See page	QT
01	0502012318	CARRYING WHEEL HUB		01
01A	1902010322	WHEEL HUB		01
01B	1599630001	STEEL SCRAP		02
02	0503013453	SKF 33011 ROLLER BEARING		01
03	0503013454	SKF 33109 ROLLER BEARING		01
04	0503010086	SEAL 0009B-B		01
05	0561017950	AXLE PULLEY		01
06	0501010630	1.1/2" CASTLE NUT		01
07	0503010523	1/4" X 2" COTTERPIN		01
08	0502020592	COVER		01
09	0503010295	SCREW 5/16 UNC X 5/8 CS G.2 ZN		04
10	0503011444	SPRING WASHER		04
11	0503010002	1800 GREASE FITTING		01
12	0502012175	SEAL FLANGE		01
13	0503010397	5/16" X 1-3/4" BOLT		08
14	0503011444	SPRING WASHER		08
15	0503012655	5/8" X 2-3/8" WHEEL BOLT		08
16	0503010064	5/8 UNF CONIC NUT		08



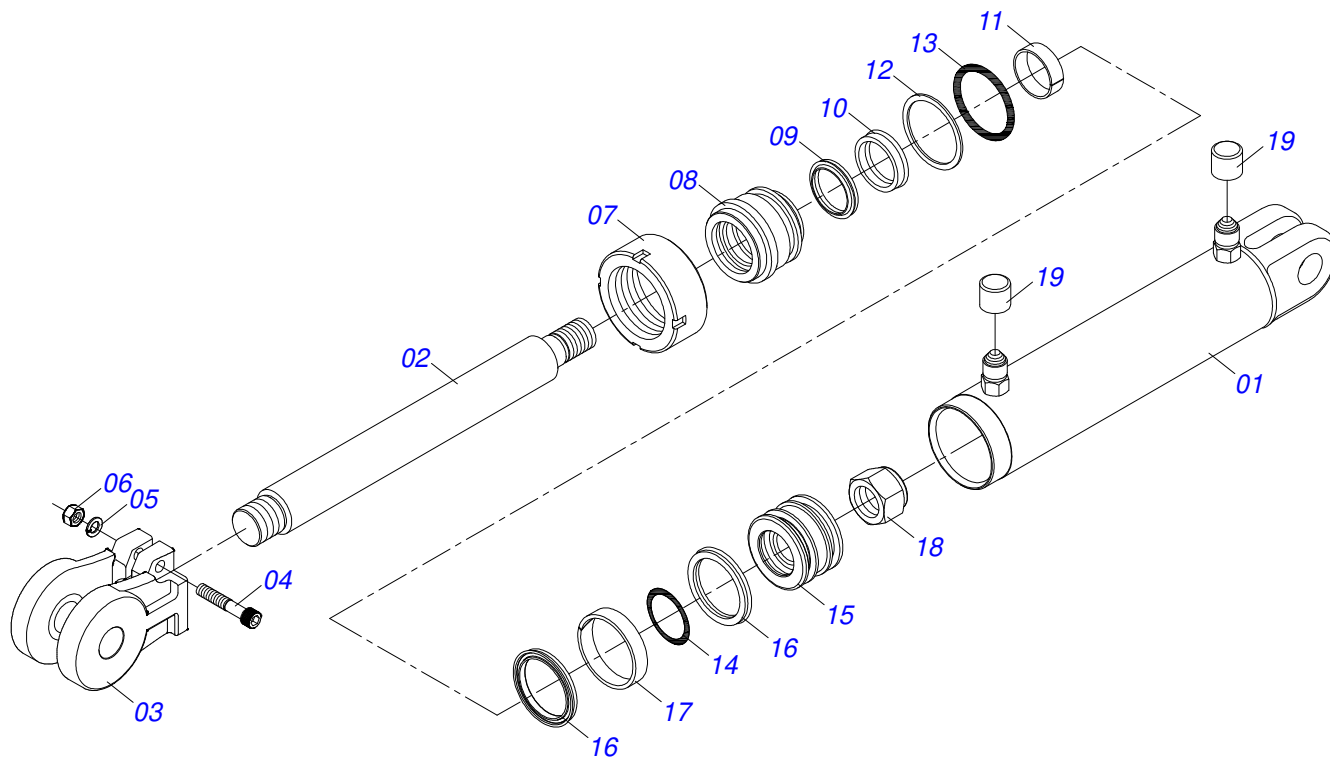
Item	Code	Description	See page	QT
01	0502011121	CARRYING WHEEL HUB		01
02	0503012171	32210 ROLLER BEARING		01
03	0503012170	30207 ROLLER BEARING		01
04	0503012928	SEAL		01
05	0501010127	9/16" X 1-7/8" LUG BOLT		06
06	0503010035	9/16" CONIC NUT		06
07	0541015259	63,40 X 366 AXLE		01
08	0501016545	FLAT WASHER		01
09	0503030009	1" CASTLE NUT		01
10	0503010018	5/32 X 1-1/2 COTTERPIN		01
11	0502020591	PROTECCION COVER		01
12	0503011444	SPRING WASHER		04
13	0503010358	5/16" X 5/8" BOLT		04
14	0503010002	1800 GREASE FITTING		01



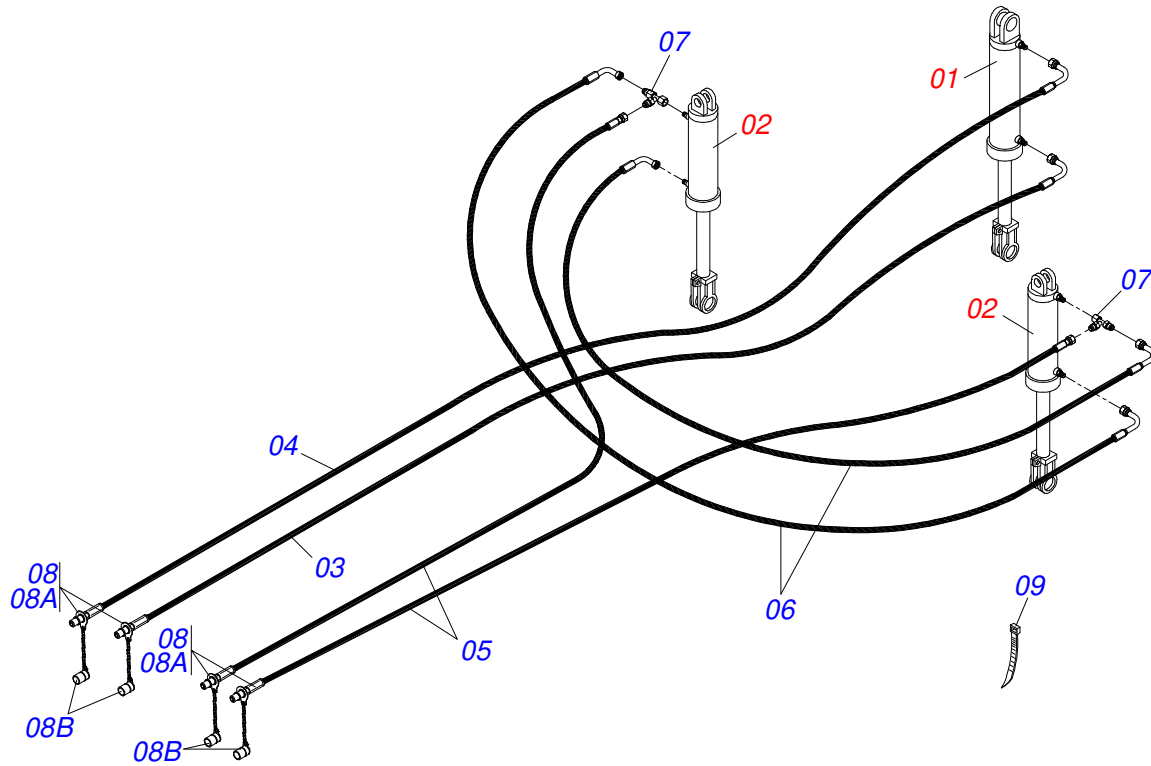
Item	Code	Description	See page	QT
01	0503010858	CANVAS TIRE		01
02	0503011468	WEEL		01
03	0503010860	AIR CHAMBER 11L 15		01



Item	Code	Description	See page	QT
01	0521060618	63,50 X 309 CYLINDER CASE		01
02	0502010783	1.5" X 2.5" PISTON		01
03	0561012695	38,1 X 37 TURNBUCKLE		01
04	0503010063	1" SELF-ALIGNING NUT		01
05	0503010160	2500 2000 GASKET		02
06	0503010285	2-222 N 3006-9B O'RING		01
07	0503010973	W2-2500-500 PK O'RING G.E		01
08	0502010780	RING SUPPORT		01
09	0503010161	2-330 N 3006 9B O'RING		01
10	0503011058	8-330 BACK-UP RING		01
11	0503010970	W1-1650-500 PK O'RING G.E		01
12	0503010989	1870-1500-375-B GASKET		01
13	0503010163	D-1500 SCRAPER RING		01
14	0502010471	MOBILE COVER		01
15	0502040493	CLEVIS 26,50 R41		01
16	0503011094	3/8" X 2" BOLT		01
17	0503011443	3/8" SPRING WASHER		01
18	0503030385	CYLINDER PLUG N-002		02
19	0503010026	3/8" NUT		01



Item	Code	Description	See page	QT
01	0511065683	85,72 X 509 CYLINDER CASE		01
02	0521010827	HYDRAULIC CYLINDER TURNBUCKLE		01
03	0502040747	32.54 CLEVIS CLAMP		01
04	0503011094	3/8" X 2" BOLT		01
05	0503010025	3/8" SPRING WASHER		01
06	0503010026	3/8" NUT		01
07	0502010993	DETACHABLE COVER		01
08	0502010781	RING SUPPORT		01
09	0503010761	D-1750 SCRAPER RING		01
10	0503010990	GASKET		01
11	0503010949	W2-2000-500 PK RING G.E		01
12	0503011060	8-336 BACK-UP RING		01
13	0503010976	2-336 N 3006-9B O'RING		01
14	0503010042	2-214 N 3006-9B O'RING		01
15	0502010843	1.8" X 3.4" PISTON		01
16	0503010170	PACKING 3120 2750		02
17	0503010948	W4-3346-590 PK RING G.E		01
18	0503010063	1" SELF-ALIGNING NUT		01
19	0503030385	CYLINDER PLUG N-002		02



Item	Code	Description	See page	QT
01	0511042770	HYDRAULIC CYLINDER 44,45 X 85,7 X 625 X 330	8	01
02	0511047811	HYDRAULIC CYLINDER 38,1 X 690 X 484	7	02
03	0501080847	3/8" X 5700 TC-TM HOSE		01
04	0501080409	3/8" X 6000 TC-TM HOSE		01
05	0501080363	3/8" X 177" TR-TM HOSE ASSY		02
06	0501081296	3/8" X 800 TC-TC HOSE		02
07	0503011968	3/4" 8R6X-S T ADAPTER WITH SWIVEL NUT		02
08	0501053834	MALE QUICK COUPLER		04
08A	0503011627	MALE QUICK COUPLER AGR 1/2 NPT		04
08B	0503011882	MALE QUICK COUPLER CAP		04
09	0503013100	NYLON CLAMP		01



ANNOTATION

A series of horizontal lines for writing, spaced evenly down the page.





MARCHESAN

Technical Publications | Elaboration and Revision
JOÃO VIRGINIO ROCHA

www.marchesan.com.br

