

OFFSET DISK HARROW

GAPC / GAPCW-EP - AXIS 2.1/8"

Code: 0501091050

Series: S-0498

Revision: 00

Date Revision: MAIO/2014

PARTS CATALOGUE



MARCHESAN



PRODUCTS

Code	Description	
0102050068	GAPC 30 X 30 X 7,50 DM	S-0498
0102050062	GAPC 30 X 32 X 9,00 DM	S-0498
0102050069	GAPC 32 X 30 X 7,50 DM	S-0498
0102050060	GAPC 32 X 32 X 9,00 DM	S-0498
0102050070	GAPC 34 X 30 X 7,50 DM	S-0498
0102050063	GAPC 34 X 32 X 9,00 DM	S-0498
0102050071	GAPC 40 X 30 X 7,50 DM	S-0498
0102050064	GAPC 40 X 32 X 9,00 DM	S-0498
0102050072	GAPCW-EP 30 X 30 X 7,50 DM	S-0498
0102050065	GAPCW-EP 30 X 32 X 9,00 DM	S-0498
0102050073	GAPCW-EP 32 X 30 X 7,50 DM	S-0498
0102050061	GAPCW-EP 32 X 32 X 9,00 DM	S-0498
0102050139	GAPCW-EP 32 X 34 X 9 DM	S-0498
0102050074	GAPCW-EP 34 X 30 X 7,50 DM	S-0498
0102050066	GAPCW-EP 34 X 32 X 9,00 DM	S-0498
0102050102	GAPCW-EP 34 X 34 X 9,00 DM	S-0498
0102050075	GAPCW-EP 40 X 30 X 7,50 DM	S-0498
0102050076	GAPCW-EP 40 X 32 X 12,00 DM	S-0498
0102050067	GAPCW-EP 40 X 32 X 9,00 DM	S-0498
0102050137	GAPCW-EP 40 X 34 X 9 DM	S-0498

ATTENTION: IMPORTANT

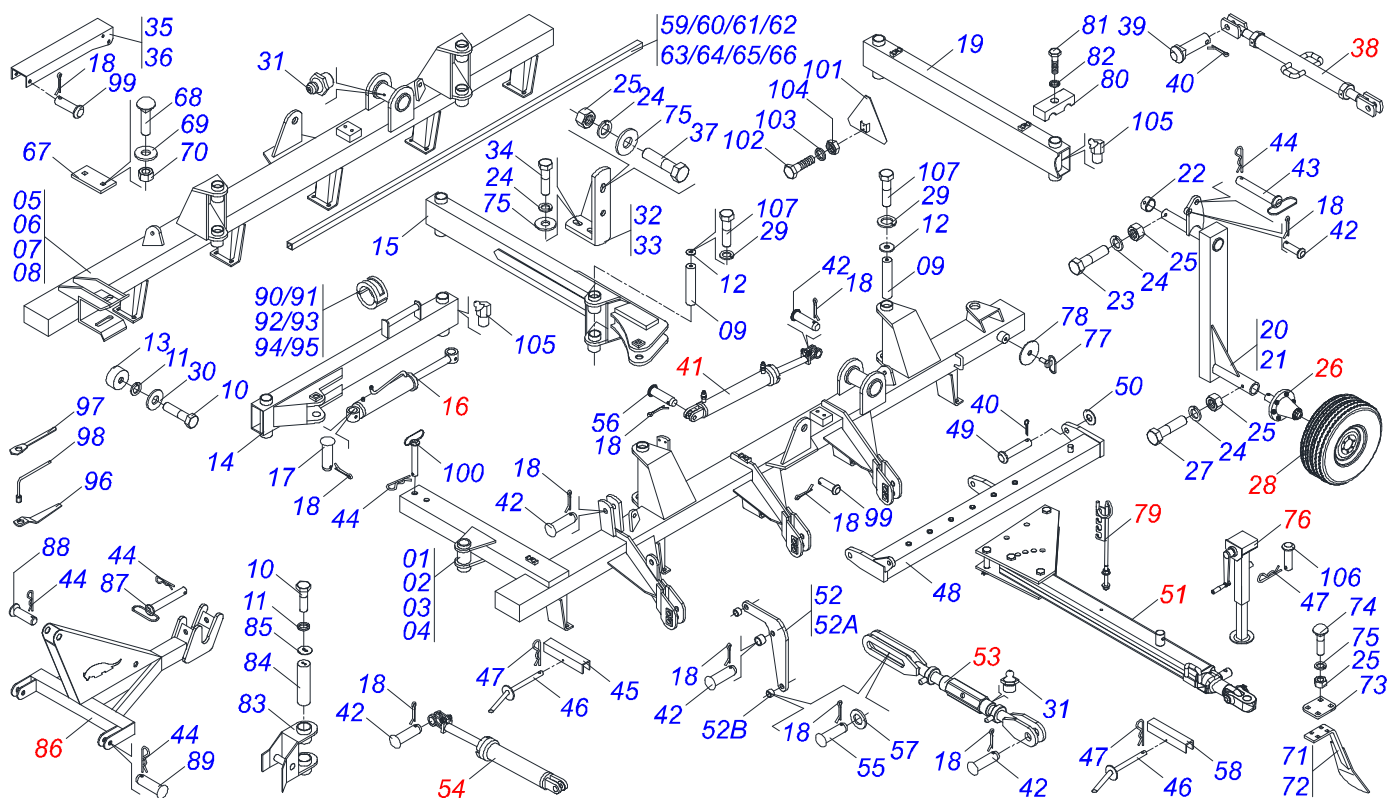
Marchesan S.A. reserves the right to improve and/or modify the technical features of its products, without obligation to do the same with those products already sold and without prior knowledge of the dealer or the customer. The photos are only illustrative.



INDEX

0909090588	FRAME ASSY	1
0501048041	50,8 X 127 X 890 X 605 HYDRAULIC CYLINDER	2
0501051853	STABILIZER DRAWBAR	3
0501048069	DRAWBAR ASSY	4
0501051852	JOINT TURNBUCKLE ASSY	5
0511045489	CILINDRO HIDRAULICO	6
0501048744	HYDRAULIC CYLINDER 50,8 X 101,60 X 800 X 400	7
0511040697	HYDRAULIC CYLINDER 44,45 X 85,7 X 515 X 203	8
0501051885	CARRYING-WHEELS	9
0511043153	DRAWBAR JACK	10
0501040257	ASSY 3/4 X 38 HOSE SUPPORT	11
0909090239	ASSY GANG DISG	12
0501046926	330MM X 2-1/8" RD. OIL BATH BEARING	13
0909090458	ASSY HYDRAULIC CIRCUIT	14
0501042903	DISCHARGE VALVE ASSY	15
0501052389	COMPLETE FLOW DIVIDER VALVE	16

FRAME ASSY



Item	Code	Description	See page	30	32	34	40
001	0501069509	FRONT FRAME		01	00	00	00
002	0501069311	FRONT FRAME		00	01	00	00
003	0501069511	FRONT FRAME		00	00	01	00
004	0501069513	FRONT FRAME		00	00	00	01
005	0501069510	REAR FRAME		01	00	00	00
006	0501069312	REAR FRAME		00	01	00	00
007	0501069512	REAR FRAME		00	00	01	00
008	0501069514	REAR FRAME		00	00	00	01
009	0521011569	20" COUPLING SHAFT		05	05	05	05
010	0501010108	5/8" X 1" BOLT		03	03	03	03
011	0503010027	5/8 SPRING WASHER		03	03	03	03
012	0521011565	FLAT WASHER		10	10	10	10
013	0521011481	FRAME BATTERY		01	01	01	01
014	0501069324	FRONT STABILIZER BAR		01	01	01	01
015	0501069325	REAR STABILIZER BAR		01	01	01	01
016	0501048041	50,8 X 127 X 890 X 605 HYDRAULIC CYLINDER	2	01	01	01	01
016.	0511045489	CILINDRO HIDRAULICO	6	01	01	01	01
017	0521011572	1.5 X 6.8" PIVOT SHAFT		02	02	02	02
018	0503010523	1/4" X 2" SPLIT PIN		12	12	12	12
019	0501069328	JOIN		01	01	01	01
020	0501069353	RIGHT CARRYING-WHEELS SUPPORT		01	01	01	01
021	0501069354	LEFT CARRYING-WHEELS SUPPORT		01	01	01	01
022	0521011428	4.5" X 5.5" X 1.6" SLEEVE		02	02	02	02
023	0503010964	BOLT		02	02	02	02
024	0503010019	1/2" SPRING WASHER		60	60	60	60
025	0503010060	1/2 UNC G.5 ZN HEX NUT		65	67	73	85
026	0501051885	CARRYING-WHEELS	9	02	02	02	02
027	0503010547	1/2" X 4" BOLT		02	02	02	02
028	0503060102	WHEEL AND TIRE		02	02	02	02
029	0503011438	SPRING WASHER		10	10	10	10
030	0501012140	FLAT WASHER		01	01	01	01



FRAME ASSY

0909090588

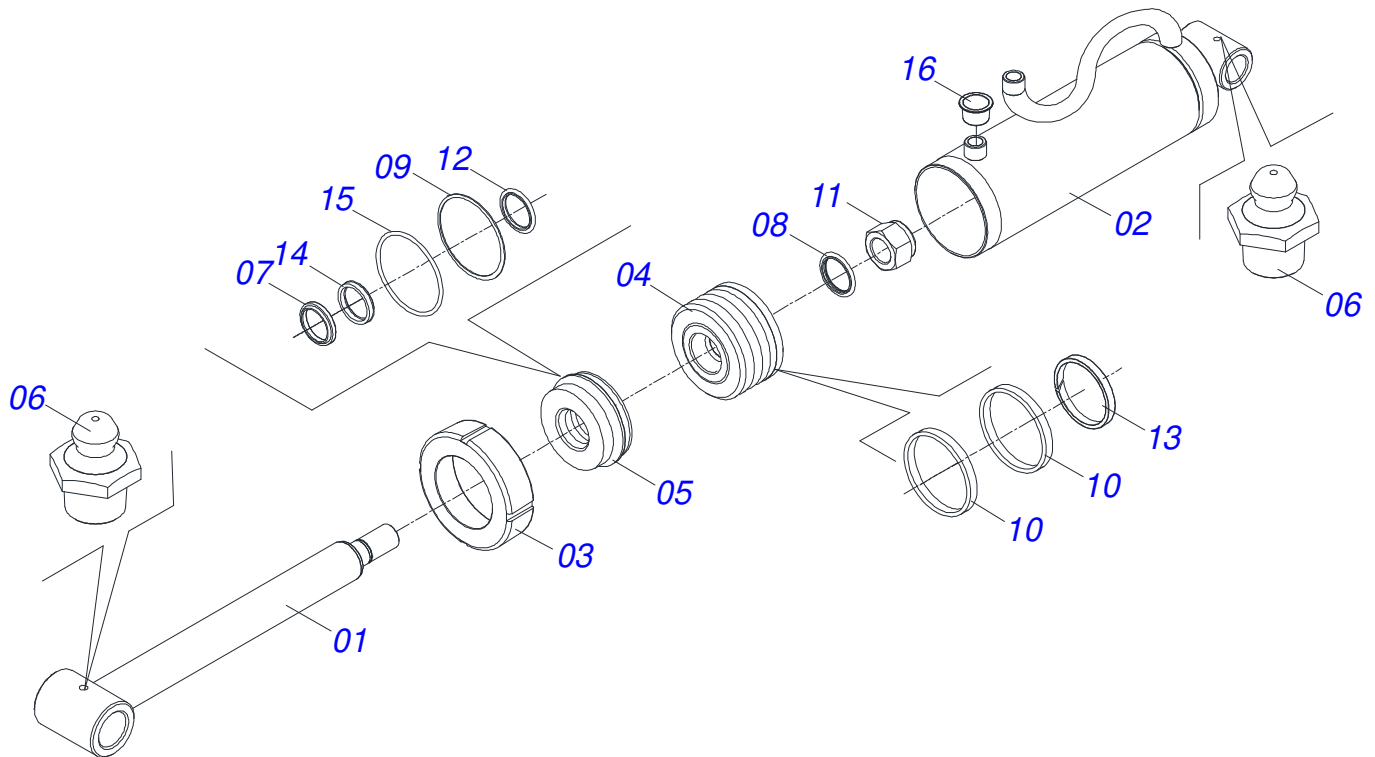
Item	Code	Description	See page	30	32	34	40
031	0503010002	1800 GREASE FITTING		04	04	04	04
032	0501069366	RIGHT TRANSPORT LOCK SUPPORT		01	01	01	01
033	0501069367	LEFT TRANSPORT LOCK SUPPORT		01	01	01	01
034	0503010395	1/2" X 1-1/4" BOLT		04	04	04	04
035	0501069345	LEFT LOCK WHEEL SUPPORT		01	01	01	01
036	0511060342	RIGHT LOCK WHEEL SUPPORT		01	01	01	01
037	0503010920	1/2 UNC X 1.1/2 C S G.5 ZN BOLT		04	04	04	04
038	0501051852	JOINT TURNBUCKLE ASSY	5	01	01	01	01
039	0521011573	1.5" X 4.7" PIVOT SHAFT		02	02	02	02
040	0503010534	3/8" X 2.1/2" SPLIT PIN		09	09	09	09
041	0501048744	HYDRAULIC CYLINDER 50,8 X 101,60 X 800 X 400	7	02	02	02	02
042	0521012538	1.2" X 3.5" COUPLING SHAFT		05	05	05	05
043	0501069348	1.1/16 X 180 HITCH AXLE		02	02	02	02
044	0503030012	HITCH PIN CLIP		03	03	03	03
045	0521011567	TRANSPORT LOCK		02	02	02	02
046	0501068994	8,30 X 78 LOCK PIN		03	03	03	03
047	0503030168	HITCH PIN CLIP		03	04	03	04
048	0501069319	OFFSET BAR		01	01	01	01
049	0521011574	1.5" X 6.1" PIVOT SHAFT		03	03	03	03
050	0521011721	1.6" X 3.94" X 0.12" WASHER		06	06	06	06
051	0501048069	DRAWBAR ASSY	4	01	01	01	01
052	0501110518	DRAWBAR PIVOT		01	01	01	01
052A	0501069430	DRAWBAR PIVOT		01	01	01	01
052B	0511019920	SLEEVE 32,70 X 38,80 X 25,40		03	03	03	03
053	0501051853	STABILIZER DRAWBAR	3	01	01	01	01
054	0511040697	HYDRAULIC CYLINDER 44,45 X 85,7 X 515 X 203	8	01	01	01	01
055	0501019649	1.2" X 2.9" COUPLING SHAFT		01	01	01	01
056	0521010779	31.75 X 95 COUPLING SHAFT		01	01	01	01
057	0501017779	32 X 60 X 4.75 FLAT WASHER		04	04	04	02
058	0511010420	8.5" X 1.8" TRANSPORT LOCK		01	01	01	01
059	0521012261	196.5" FRONT SCRAPER TUBE		01	00	00	00
060	0521011854	210.2" FRONT SCRAPER TUBE		00	01	00	00
061	0521012263	224" FRONT SCRAPER TUBE		00	00	01	00
062	0521012265	131.9" FRONT SCRAPER TUBE		00	00	00	01
063	0521012262	207.5" REAR SCRAPER TUBE		01	00	00	00
064	0521011855	221.2" REAR SCRAPER TUBE		00	01	00	00
065	0521012264	235" REAR SCRAPER TUBE		00	00	01	00
066	0521012266	137.8" REAR SCRAPER TUBE		00	00	00	01
067	0521011566	FIXER PLATE TUBE CLEANER		12	12	12	12
068	0501010162	3/4" X 4" BOLT		24	24	24	24
069	0501010322	FLAT WASHER		24	24	24	24
070	0503010014	3/4" HEX NUT		26	26	26	26
071	0501069486	FRONT SCRAPER		15	16	17	20
072	0501069489	REAR SCRAPER		15	16	17	20
073	0521011774	FIXER PLATE CLEANER		30	32	34	40
074	0503012110	1/2" X 3-3/4" BOLT		60	64	68	80
075	0511017302	FLAT WASHER 13,50 X 32,50 X 3,0 ZN		65	69	73	85
076	0511043153	DRAWBAR JACK	10	01	01	01	01
077	0501069343	WRENCH FIXER		01	01	01	01
078	0521011722	FLAT WASHER		01	01	01	01
079	0501040257	ASSY 3/4 X 38 HOSE SUPPORT	11	01	01	01	01
080	0502012702	BODY SUPPORT CLAMP		05	05	05	05
081	0503012555	SCREW 7/16 UNC X 2 CS RT G.7 ZN		05	05	05	05
082	0503010180	7/16" SPRING WASHER		05	05	05	05
083	0501069369	DRAWBAR TRANSPORT COMPLEMENT		01	01	01	01
084	0501069370	LOCK BUSHING		01	01	01	01
085	0521011615	WASHER		02	02	02	02
086	0501069368	TRANSPORT DRAWBAR		01	01	01	01
087	0501069466	1.1/16 X 160 HITCH AXLE		01	01	01	01



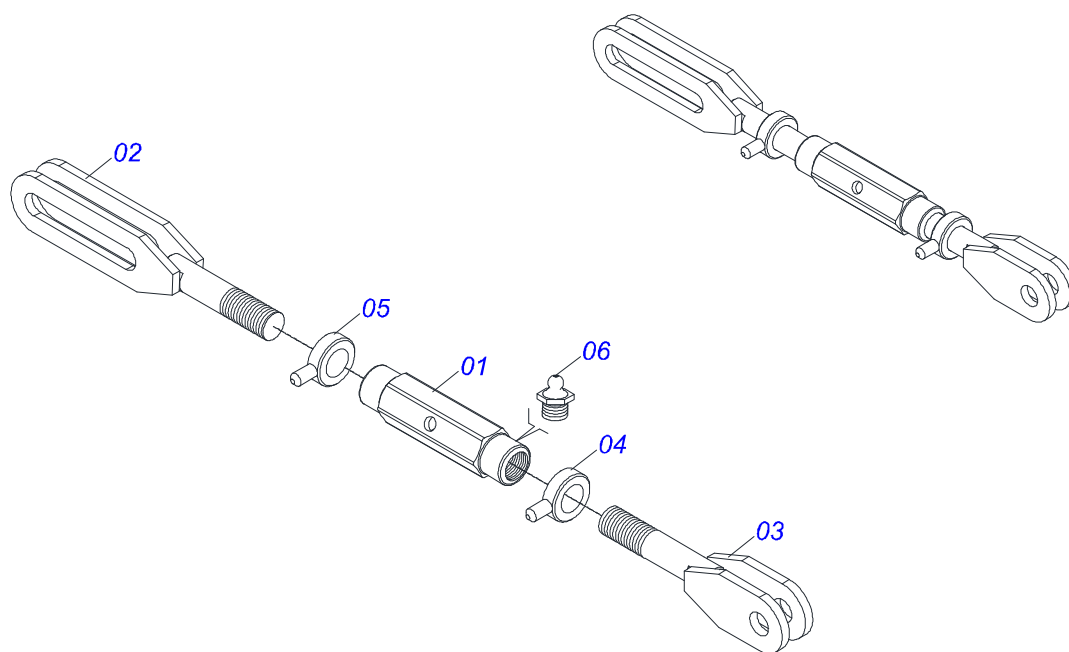
FRAME ASSY

0909090588

Item	Code	Description	See page	30	32	34	40
088	0521011571	1.2" X 5.1" AXLE		01	01	01	01
089	0521011570	1.4" X 6.1" COUPLING SHAFT		02	02	02	02
090	0501043620	0.98" ROD STOP FOR 2" CYLINDER		01	01	01	01
091	0501043694	1.18" ROD STOP FOR 2" CYLINDER		01	01	01	01
092	0501046407	1.18" ROD STOP FOR 2" CYLINDER		01	01	01	01
093	0501043695	1.6" ROD STOP FOR 2" CYLINDER		01	01	01	01
094	0501043688	1.96" ROD STOP FOR 2" CYLINDER		01	01	01	01
095	0501044341	2.4" SPACER RING FOR 2" CYLINDER		01	01	01	01
096	0501011432	1-1/2" AND 1-5/8 GANG BOLT WRENCH		01	01	01	01
097	0501061044	2-1/8" AND 2-1/2" CABLE FLAT WRENCH		02	02	02	02
098	0501061045	1" WRENCH CYLINDRICAL		01	01	01	01
099	0531013655	1.2" X 6.9" COUPLING SHAFT		02	02	02	02
100	0501069350	230 PIVOT SHAFT WITH PULL		01	01	01	01
101	0511061626	SLOW-MOVING VEHICLE EMBLEM		01	01	01	01
102	0503010519	1/4" X 5/8" BOLT		02	02	02	02
103	0503010143	1/4" SPRING WASHER		07	07	07	07
104	0503010144	1/4" NUT		05	05	05	05
105	0503010003	1845 GREASE FITTING		02	02	02	02
106	0541011345	16 X 68 PLUGER		01	01	01	01
107	0503011250	1" X 2" BOLT		10	10	10	10

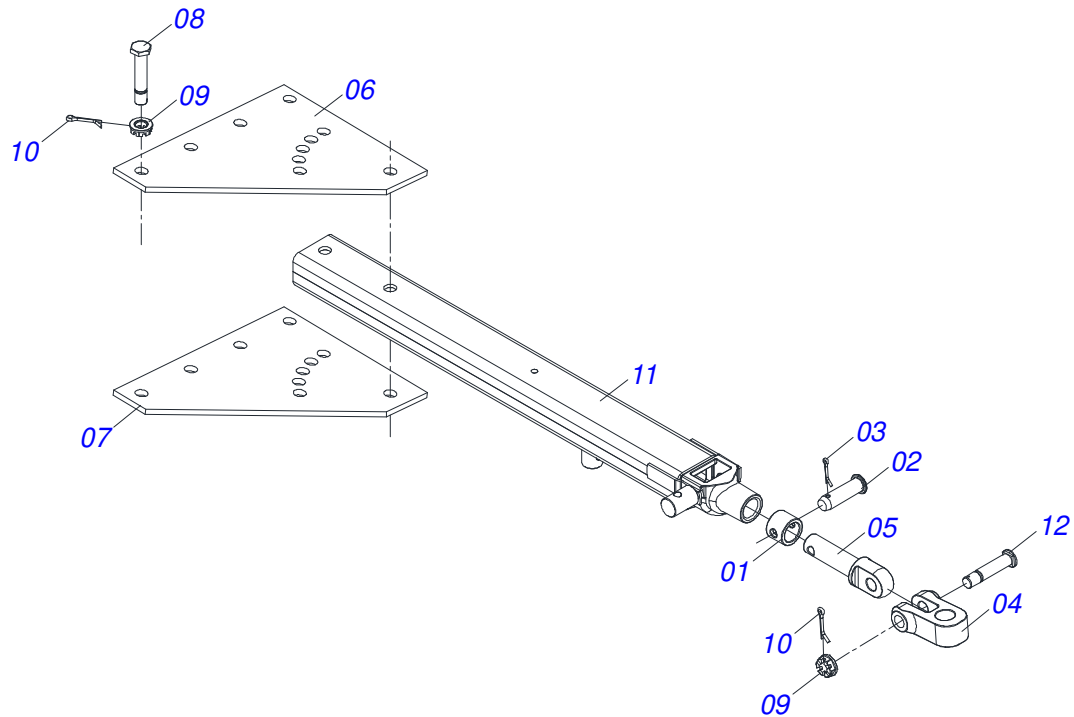


Item	Code	Description	See page	QT
01	0501069480	2" X 32" TURNBUCLE WITH BUSHING		01
02	0501069481	5" X 32" CYLINDER CASE		01
03	0502010382	5" END CAP		01
04	0502010963	2.0" X 5.0" PISTON		01
05	0502012227	50.80 X 127 RING SUPPORT		01
06	0503010002	1800 GREASE FITTING		02
07	0503010039	D-2000 SCRAPER RING		01
08	0503010345	2-218 N 3006-9B O'RING		01
09	0503010351	2-425 N 3006-9B O'RING		01
10	0503010552	PACKING 3750-4250-625-B		02
11	0503010817	1.1/4" SELF LOCKING NUT		01
12	0503010952	W2-2250-500 RING		01
13	0503010974	W2-5000-500 RING		01
14	0503010991	1870-2000-375-B GASKET		01
15	0503011062	8-425 BACK-UP RING		01
16	0503030387	PLUG		02
17	0501031961	HYDRAULIC CYLINDER REPAIR KIT		01

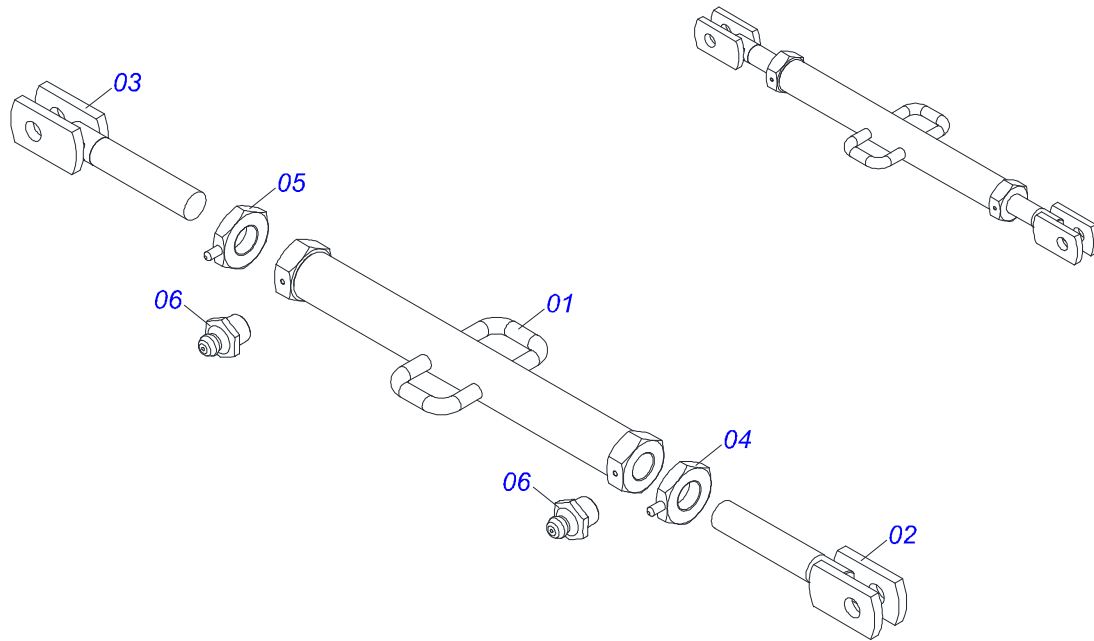


Item	Code	Description	See page	QT
01	0502011469	245 ADJUSTMENT NUT		01
02	0501069339	1.1/2 RIGHT CASE		01
03	0501069340	1.1/2 LEFT CASE		01
04	0501069341	LOCKNUT WITH RIGHT HANDLER		01
05	0501069342	LOCKNUT WITH LEFT HANDLER		01
06	0503010002	1800 GREASE FITTING		02

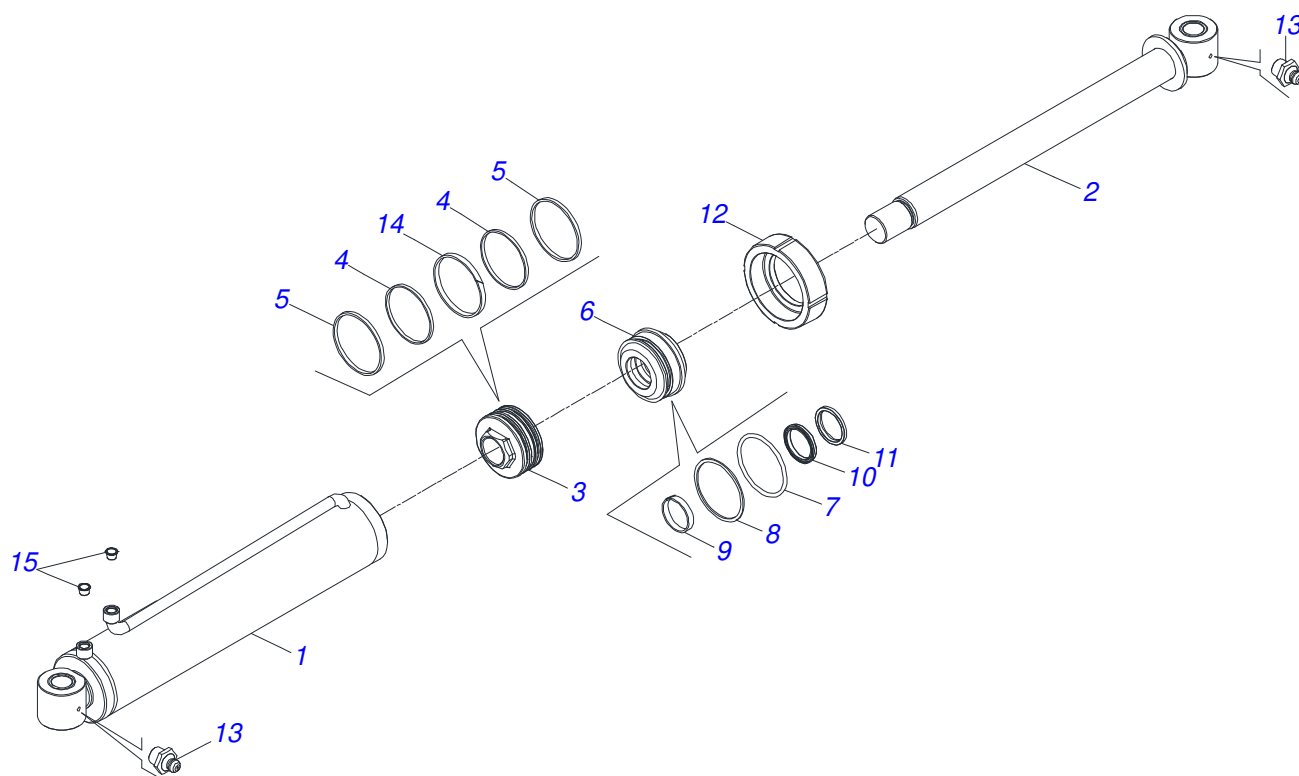
DRAWBAR ASSY



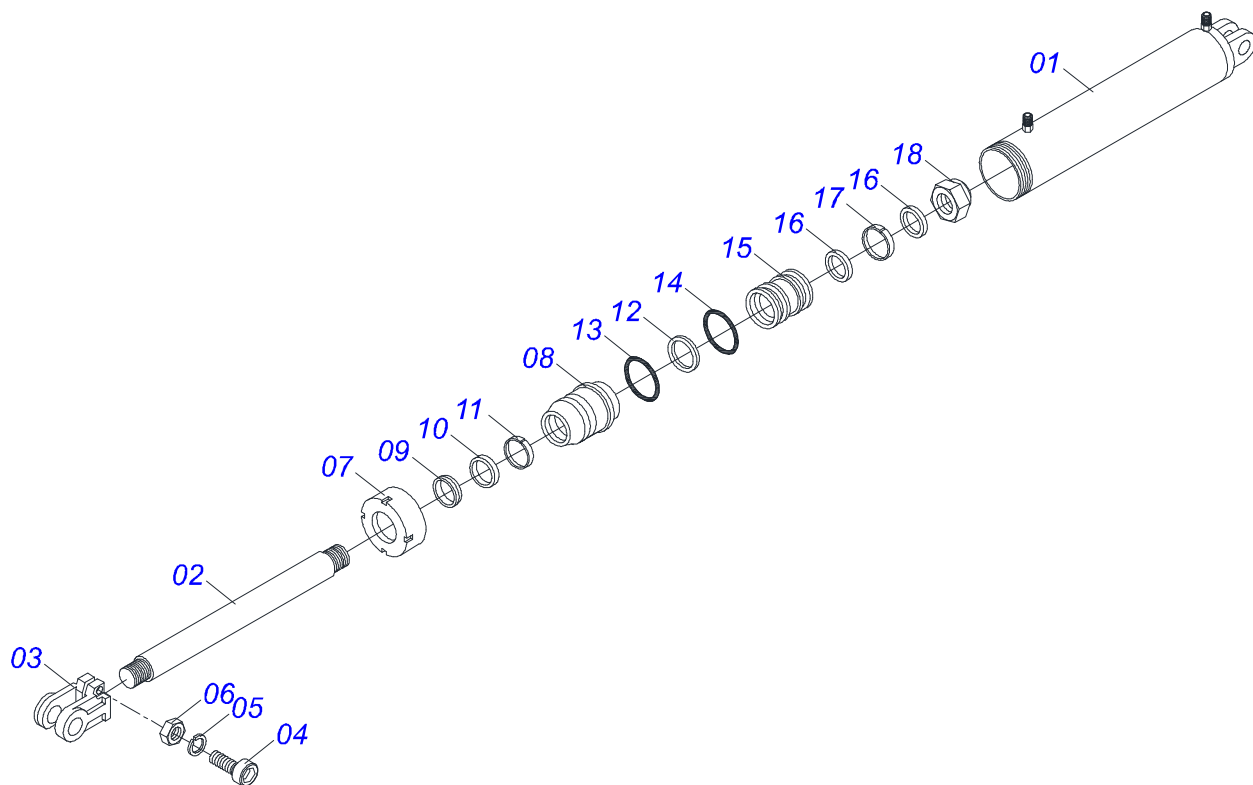
Item	Code	Description	See page	QT
01	0502040327	HITCH LOCK RING		01
02	0511014902	COUPLING SHAFT		01
03	0503010571	1/4" X 1.1/2" SPLIT PIN		01
04	1902040733	U COUPLING HOOK		01
05	0502040223	DRAWBOLT		01
06	0501069320	UPPER PLATE WITH WASHER		01
07	0501069321	LOWER PLATE WITH WASHER		01
08	0521012053	1.5" X 8.6" AXLE		06
09	0501011301	1.1/2 UNC 6FPP 2.5/16 NUT		07
10	0503010010	1/4" X 2.1/2" SPLIT PIN		07
11	0501069323	TRACTION BAR		01
12	0521012545	COUPLING SHAFT		01



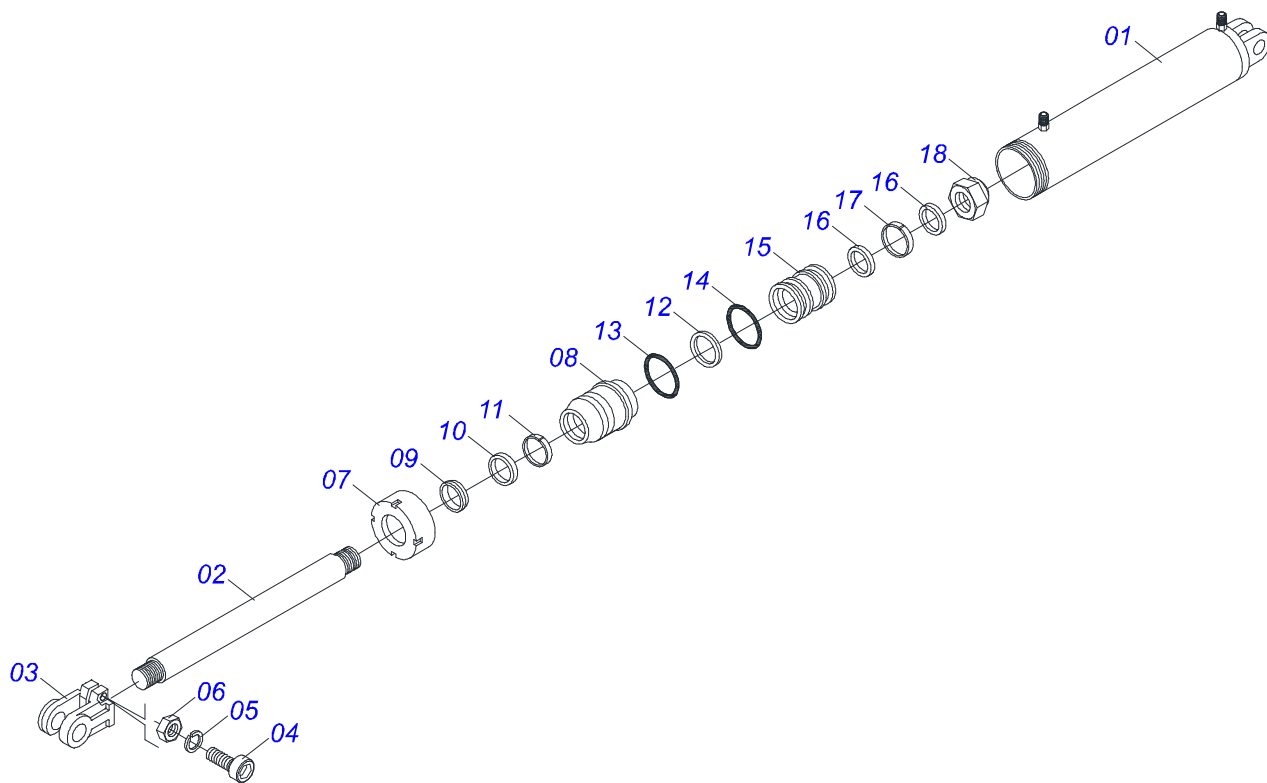
Item	Code	Description	See page	QT
01	0501069332	JOIN TURNBUCKLE		01
02	0501069333	JACK CRANK		01
03	0501069334	JACKET		01
04	0501069330	LOCKNUT WITH RIGHT HANDLER R 2-1/8		01
05	0501069331	LOCKNUT WITH LEFT HANDLER R 2-1/8		01
06	0503010002	1800 GREASE FITTING		02



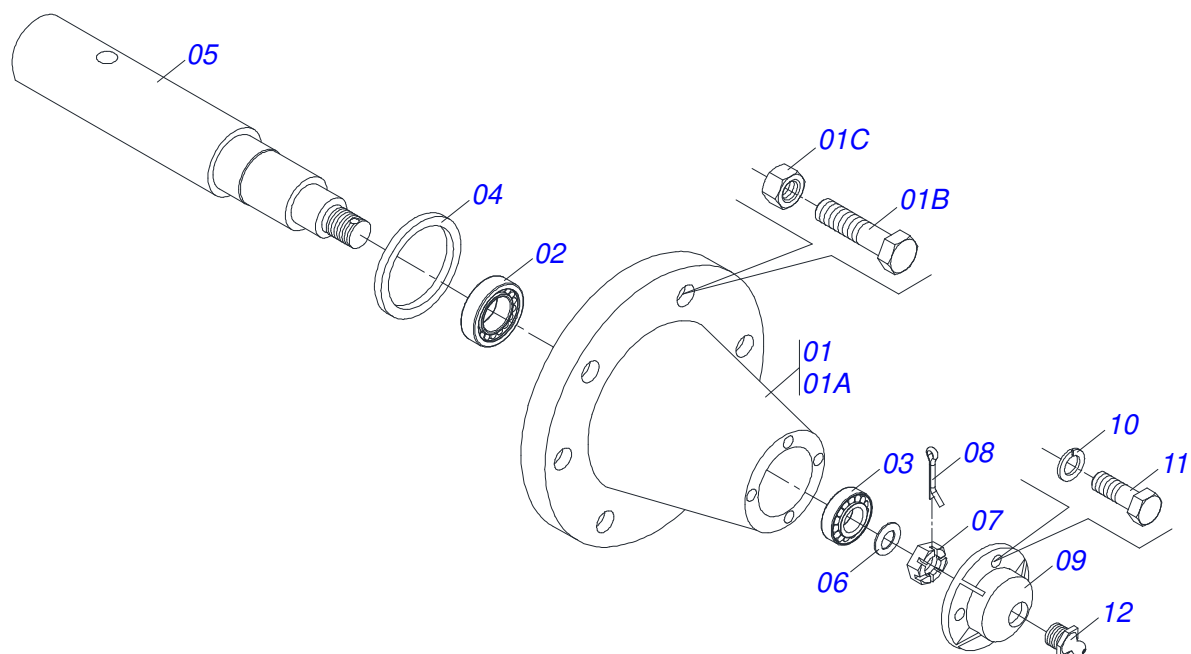
Item	Code	Description	See page	QT
01	0511068001	127 X 783 CYLINDER CASE		01
02	0511068088	63,50 X 787 TURNBUCKLE		01
03	0502011563	PISTON		01
04	0503012593	RUBBER RING		02
05	0503012592	RING (TEFLON)		02
06	0502010966	2.5" X 5" RING SUPPORT		01
07	0503010351	2-425 N 3006-9B O'RING		01
08	0503011062	8-425 BACK-UP RING		01
09	0503010971	W2-2750-500 PK RING G.I		01
10	0503010288	PACKING 2500-2500-375-B		01
11	0503010287	D-2500 SCRAPER RING		01
12	0502010382	5" END CAP		02
13	0503012590	SEAL RING		02
14	0503012590	SEAL RING		01
15	0503030384	CON PLUG N-001		02



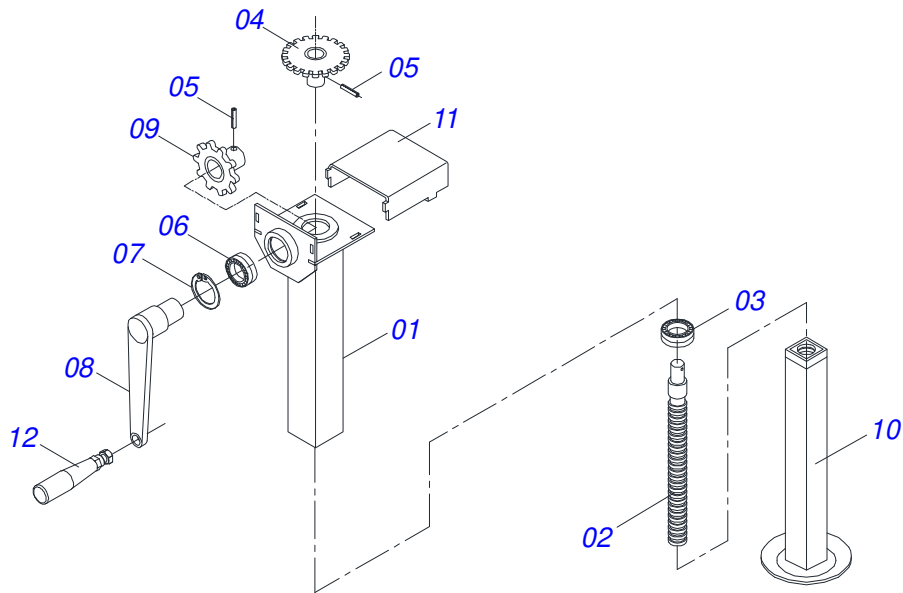
Item	Code	Description	See page	QT
01	0511060448	4" X 23,4" CYLINDER CASE		01
02	0501018530	2" X 26" TURNBUCKLE		01
03	0502040747	32.54 CLEVIS CLAMP		01
04	0503011094	3/8" X 2" BOLT		01
05	0503010025	3/8 SPRING WASHER		01
06	0503010026	3/8" NUT		01
07	0502010017	4" LID		01
08	0502010778	2" X 4.2" RING SUPPORT		01
09	0503010039	D-2000 SCRAPER RING		01
10	0503010991	1870-2000-375-B GASKET		01
11	0503010952	W2-2250-500 RING		01
12	0503011061	8-342 BACK-UP RING		01
13	0503010338	2-342 N 3006-9B O'RING		01
14	0503010345	2-218 N 3006-9B O'RING		01
15	0502010992	2.0" X 4.0" PISTON		01
16	0503010043	PACKING 3750-3250		02
17	0503010994	W2-4000-500 PK RING G.E		01
18	0503010817	1.1/4" SELF LOCKING NUT		01
19	0501031799	HYDRAULIC CYLINDER REPAIR KIT		01



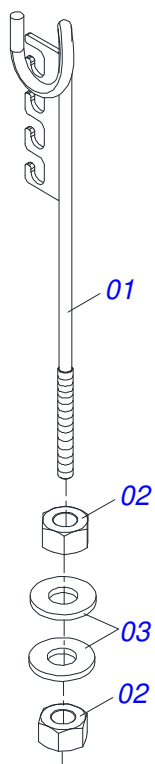
Item	Code	Description	See page	QT
01	0511063257	3,4" X 12,3" CYLINDER CASE		01
02	0501018532	1.7" X 15.6" TURNBUCLE		01
03	0502040747	32.54 CLEVIS CLAMP		01
04	0503011094	3/8" X 2" BOLT		01
05	0503010025	3/8 SPRING WASHER		01
06	0503010026	3/8" NUT		01
07	0502010993	MOBILE LID		01
08	0502010781	RING SUPPORT		01
09	0503010761	D-1750 SCRAPER RING		01
10	0503010990	GASKET		01
11	0503010949	W2-2000-500 PK RING G.E		01
12	0503011060	8-336 BACK-UP RING		01
13	0503010976	2-336 N 3006-9B O'RING		01
14	0503010042	2-214 N 3006-9B O'RING		01
15	0502010843	1.8" X 3.4" PISTON		01
16	0503010170	PACKING 3120 2750		02
17	0503010948	W4-3346-590 PK RING G.E		01
18	0503010063	1" SELF-ALIGNING NUT		01
19	0501031796	HYDRAULIC CYLINDER REPAIR KIT		01



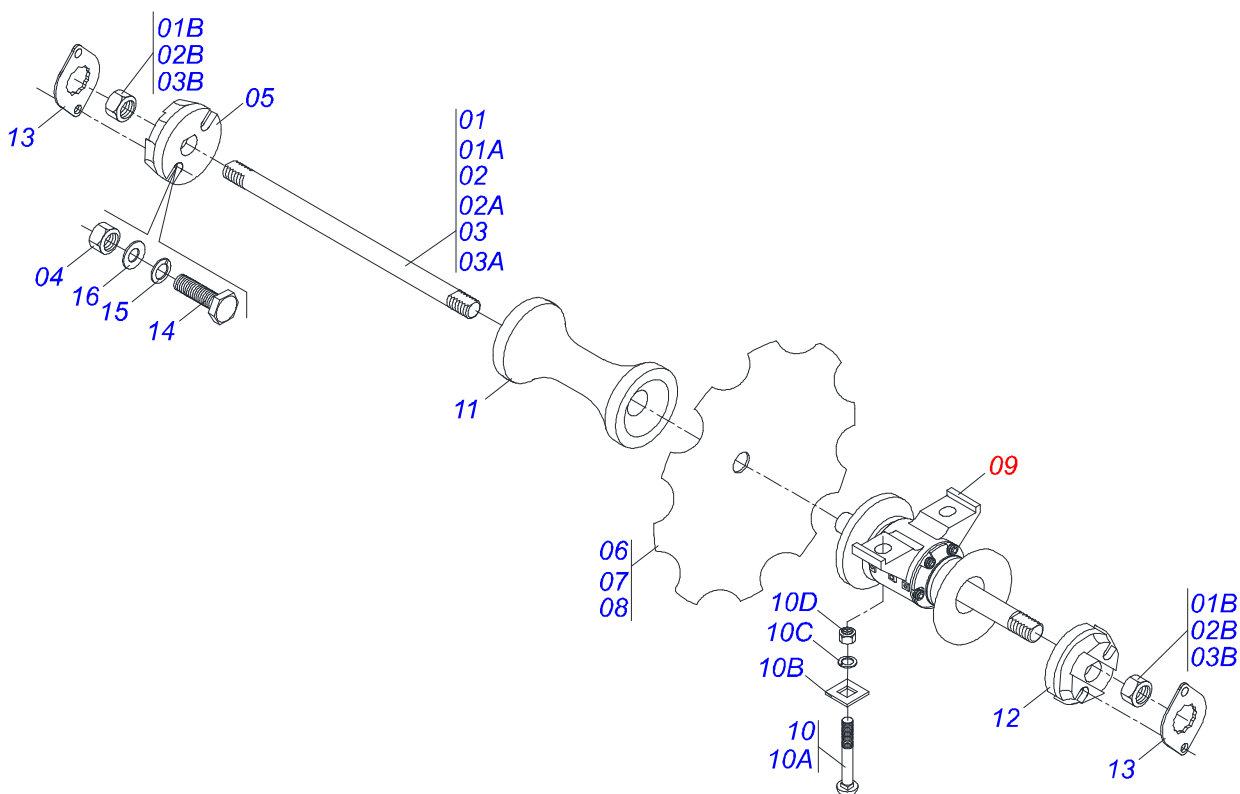
Item	Code	Description	See page	QT
01	0501110738	CARRYING WHEEL HUB		01
01A	0502012260	TRANSPORT WHEEL BOX		01
01B	0503010064	5/8 UNF CONIC NUT		08
01C	0501010186	WHEEL SCREW 5/8UNF X 2.1/8CR		08
02	0503011156	2780/2720 IMP ROLLER BEARING		01
03	0503010008	3780/3720 ROLLER BEARING		01
04	0503013314	RETAINER 5166-GB 63,5 X 110 X 13 ARCA		01
05	0511012494	SPINDLE		01
06	0511012492	FLAT WASHER		01
07	0503030009	1" CASTLE NUT		01
08	0503010018	5/32" X 1-1/2" SPLIT PIN		01
09	0502020591	PROTECCION COVER		01
10	0503011444	SPRING WASHER		04
11	0503010358	5/16" X 5/8" BOLT		04
12	0503010002	1800 GREASE FITTING		01



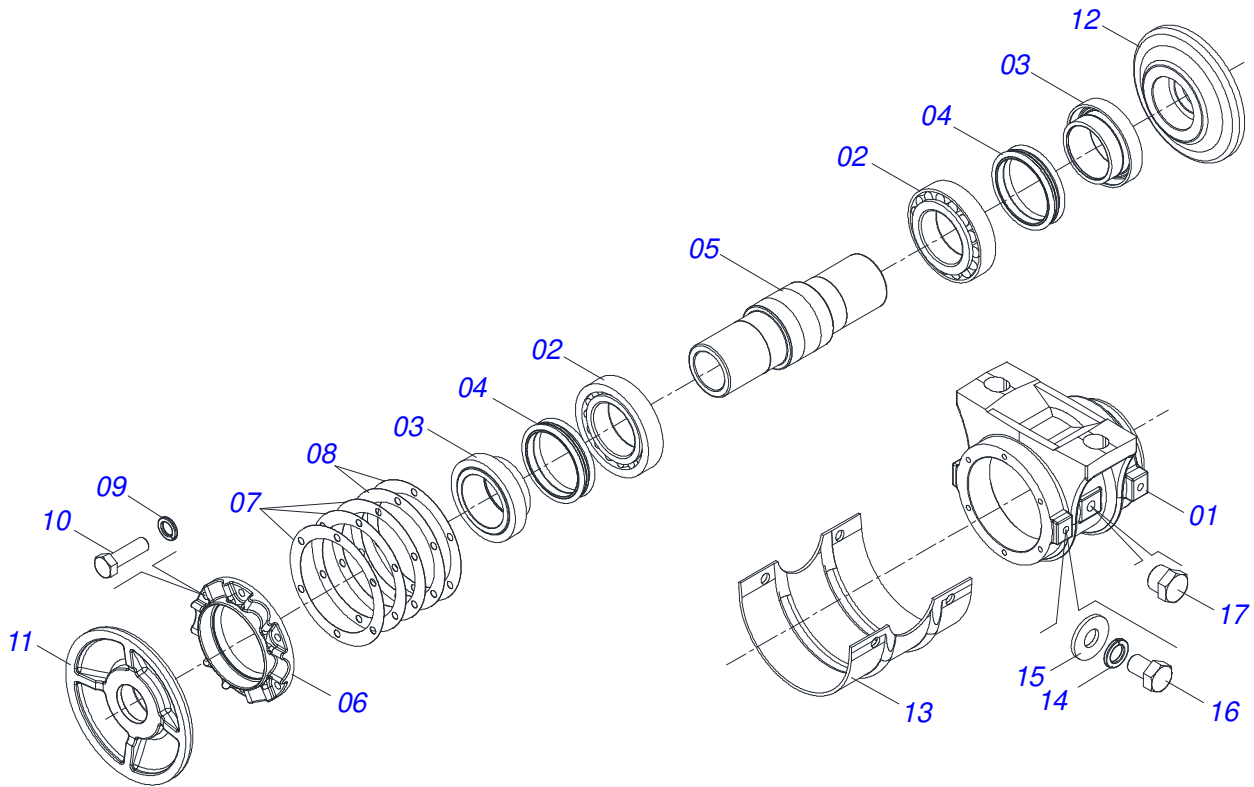
Item	Code	Description	See page	QT
01	0511065948	OUTER BODY DRAWBAR JACK		01
02	0531017603	JACK SPINDLE		01
03	0503013092	51305 BEARING		01
04	0511064234	20Z DRIVER GEAR		01
05	0503010561	SPRING PIN		02
06	0503011410	ROLLER BEARING		01
07	0503011105	SEAL RING		01
08	0511064235	JACK CRANK		01
09	0511064233	10Z DRIVER GEAR		01
10	0511064236	JACK INNER BODY		01
11	0531017602	PROTECTION COVER GEAR		01
12	0503011312	ROTATIVE CABLE		01



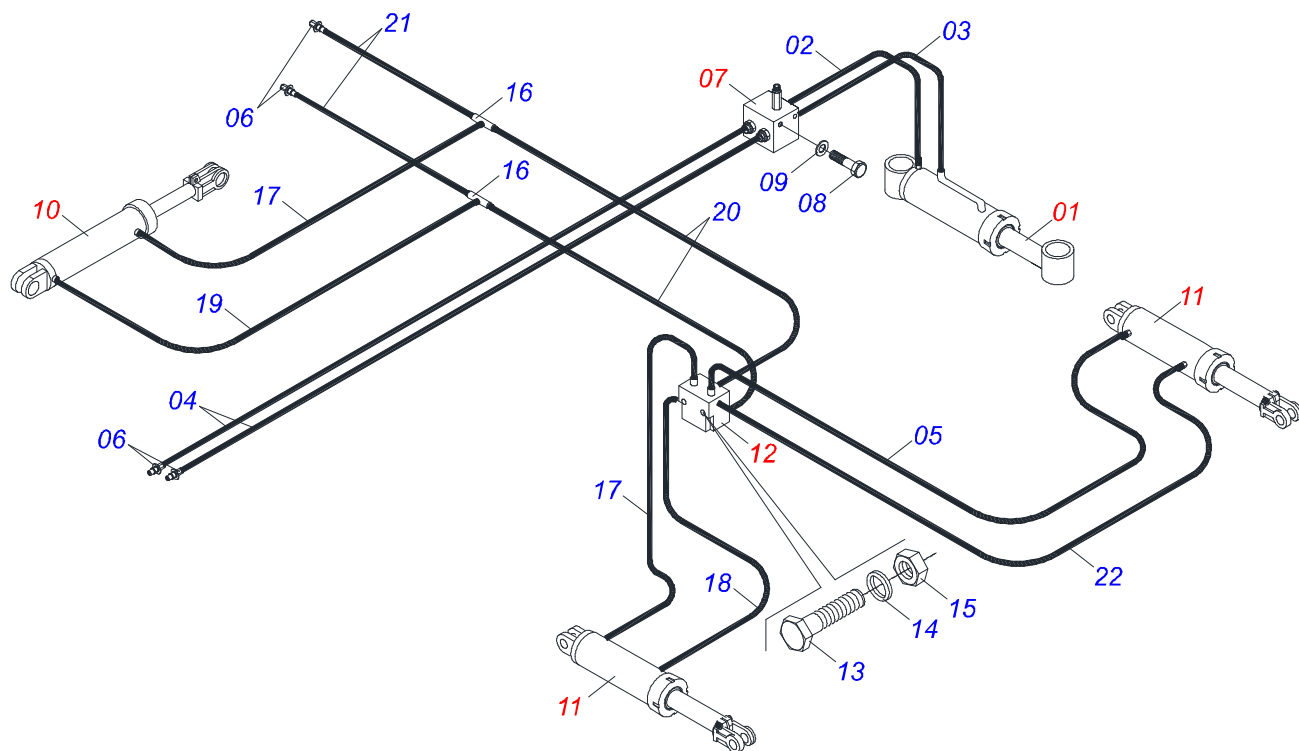
Item	Code	Description	See page	QT
01	0511067334	HOSE SUPPORT		01
02	0503010014	3/4" HEX NUT		02
03	0501010322	FLAT WASHER		02



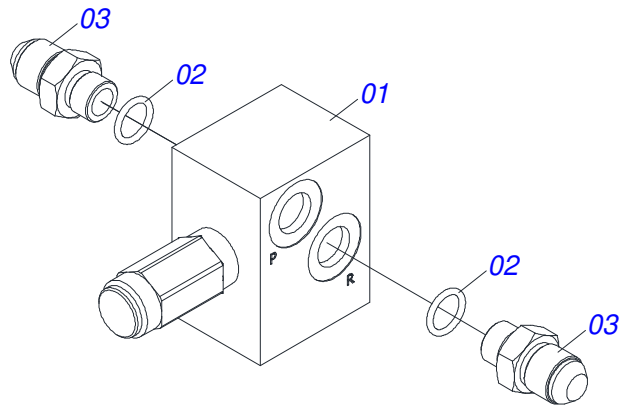
Item	Code	Description	See page	30	32	34	40
01	0511042122	2-1/8" X 63" AXLE WITH NUTS		06	00	00	08
01A	0541010202	2-1/8" X 63" AXLE		01	00	00	01
01B	0502040063	2-1/8" X 54 99 NUT		02	00	00	02
02	0511042123	2-1/8" X 76" AXLE WITH NUTS		00	02	00	00
02A	0501013759	2-1/8" X 76" AXLE		00	01	00	00
02B	0502040063	2-1/8" X 54 99 NUT		00	02	00	00
03	0511042124	2-1/8" X 90" AXLE WITH NUTS		00	00	02	00
03A	0501013760	2-1/8" X 8.9" AXLE		00	00	01	00
03B	0502040063	2-1/8" X 54 99 NUT		00	00	02	00
04	0503010013	5/8 NUT		24	24	24	24
05	0502010594	2-1/8" EXTERNAL AXLE WASHER		06	06	06	08
06	0602040001	30" X 0.3" NOTCHED DISC BLADE		30	32	34	40
07	0602044001	32" X 0.3" NOTCHED DISC BLADE		30	32	34	40
08	0602044003	32" X 0.5" NOTCHED DISC BLADE		00	00	00	40
09	0501046926	330MM X 2-1/8" RD. OIL BATH BEARING	13	12	12	12	16
10	0501042139	1" X 4.3" ASSY BOLT		24	24	24	32
10A	0501010952	1" X 4.3" BOLT		24	24	24	32
10B	0501010951	1" SQUARE WASHER		24	24	24	32
10C	0501010065	1" SPRING WASHER		24	24	24	32
10D	0501010059	1.5/8 NUT		48	48	48	64
11	0502010643	13" 2-1/8" SPACER		12	14	16	16
12	0502010595	2-1/8" INNER AXLE WASHER		06	06	06	08
13	0541010368	NUT LOCK		12	12	12	16
14	0503010232	5/8" X 1.3/4" BOLT		24	24	24	32
15	0503010027	5/8 SPRING WASHER		24	24	24	32
16	0501012140	FLAT WASHER		24	24	24	32



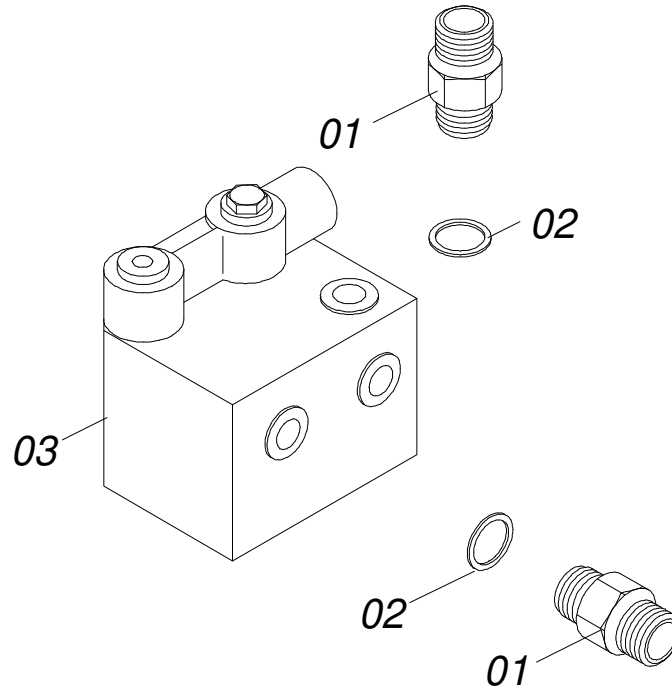
Item	Code	Description	See page	QT
01	0502010742	HOUSING DM		01
02	0503010117	32216 ROLLER BEARING		02
03	0502040123	SEAL RETAINER		02
04	0503030028	JB-257 SEAL		02
05	0502040034	BEARING AXLE		01
06	0502010645	HOUSING CAP DM		01
07	0503030536	7.1" X 5.5" X 0.01" JOINT		03
08	0503030686	7.1" X 5.5" X 0.004" JOINT		02
09	0503011443	3/8" SPRING WASHER		06
10	0503010751	C3/8" X 1.1/4" HEX BOLT G.5		06
11	0502040260	OUTER FLANGE		01
12	0502040261	INNER FLANGE		01
13	0511013169	PROTECTION COVER BEARING		01
14	0503010019	1/2" SPRING WASHER		04
15	0511017302	FLAT WASHER 13,50 X 32,50 X 3,0 ZN		04
16	0503011401	1/2" X 3/4" BOLT		04
17	0503010856	OIL PLUG		02



Item	Code	Description	See page	QT
01	0501048041	50,8 X 127 X 890 X 605 HYDRAULIC CYLINDER	2	01
02	0501080123	1/2 X 800 TR-TC HOSE ASSY		01
03	0501080122	1/2" X 35" TR-TC HOSE ASSY		01
04	0501080005	1/2 X 5500 TR-TM HOSE		02
05	0501080605	3/8" X 160" TR-TC HOSE ASSY		01
06	0503011627	MALE QUICK COUPLER AGR 1/2 NPT		04
07	0501042903	DISCHARGE VALVE ASSY	15	01
08	0503010237	3/8" X 1" BOLT		02
09	0503010025	3/8 SPRING WASHER		02
10	0511040697	HYDRAULIC CYLINDER 44,45 X 85,7 X 515 X 203	8	01
11	0501048744	HYDRAULIC CYLINDER 50,8 X 101,60 X 800 X 400	7	02
12	0501052389	COMPLETE FLOW DIVIDER VALVE	16	01
13	0503010373	SCREW 1/4 UNC X 2 CS G.2 ZN		02
14	0503010143	1/4" SPRING WASHER		02
15	0503010144	1/4" NUT		02
16	0503011271	3/4" UNF "T" CONNECTION T 3 SIDES		02
17	0501080054	3/8" X 17" TR-TC HOSE ASSY		02
18	0501080191	3/8" X 18" TC-TC HOSE ASSY		01
19	0501080406	3/8" X 23" TR-TC HOSE		01
20	0501080431	TR-TC HOSE ASSY		02
21	0501080405	3/8" X 169" TR-TM HOSE		02
22	0501080578	3/8" X 157" TC-TC HOSE		01



Item	Code	Description	See page	QT
01	0503010919	DISCHARGE VALVE		01
02	0503010190	2-114 N 3006-9B O'RING		04
03	0501011460	7/8 NF REDUCTION NIPPLE		04



Item	Code	Description	See page	QT
01	0501010617	3/4" NIPPLE		06
02	0503010190	2-114 N 3006-9B O'RING		06
03	0503012172	1.97"-1.97" FLOW DIVIDING VALVE		01



ANNOTATION

Lined writing area consisting of 25 horizontal lines.





MARCHESAN

Technical Publications | Elaboration and Revision

ALESSANDRA PATRICIA KAWAHARA CARRILI

www.marchesan.com.br

