

DISK PLOWIMOLDBOARD PLOWITERRACING PLOW

TAP E 30
TAP E 30

Code: 0501091049
Series: S-0516
Revision: 00
Revision Date: FEBRUARY/2022

PARTS CATALOGUE



MARCHESAN



PRODUCTS

Code	Working Width	Description
0101200003		TAP E 30X26X6,0 DL S-0516

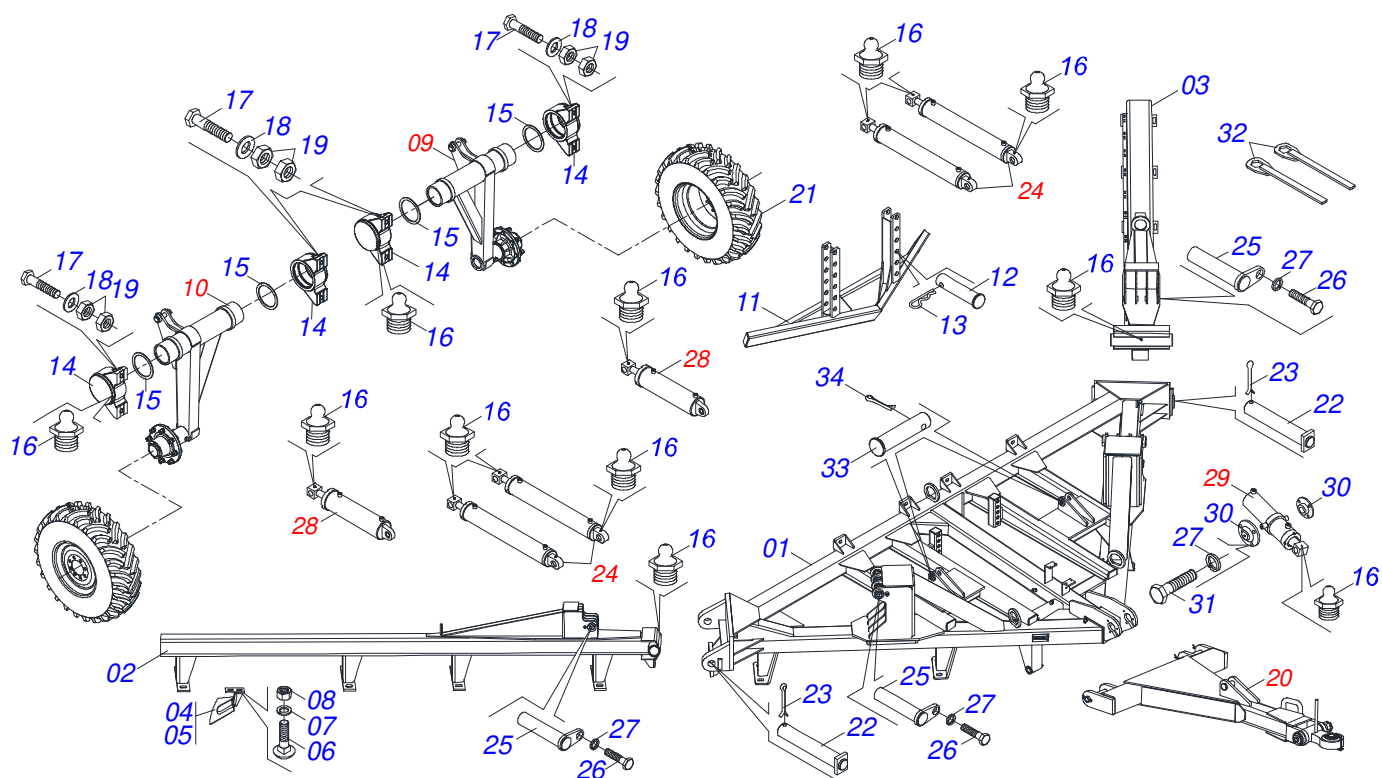
ATTENTION: IMPORTANT

Marchesan S.A. reserves the right to improve and/or modify the technical features of its products, without obligation to do the same with those products already sold and without prior knowledge of the dealer or the customer. The photos are only illustrative.



INDEX

0909094766	FRAME	1
0511052294	LEFT HUB AND SPINDLE	2
0511052295	RIGHT HUB AND SPINDLE	3
0501053910	JOINT CUBE OF THE WHEEL	4
0511050259	HARNESS ASSY	5
0511041866	CH 4.40.50,8 TC-A 4102789 HYDRAULIC CILINDER	6
0521050463	HYDRAULIC CYLINDER	7
0511041865	HYDRAULIC CYLINDER CH 4.40.50,8A 4102751	8
0909094767	GANG DISC FRONT	9
0909094768	GANG DISC REAR	10
0521041852	AGRICULTURAL BEARING	11
0909094769	HYDRAULIC CIRCUIT	12
0511056297	COMPLETE VALVE CONTROL PANEL	13



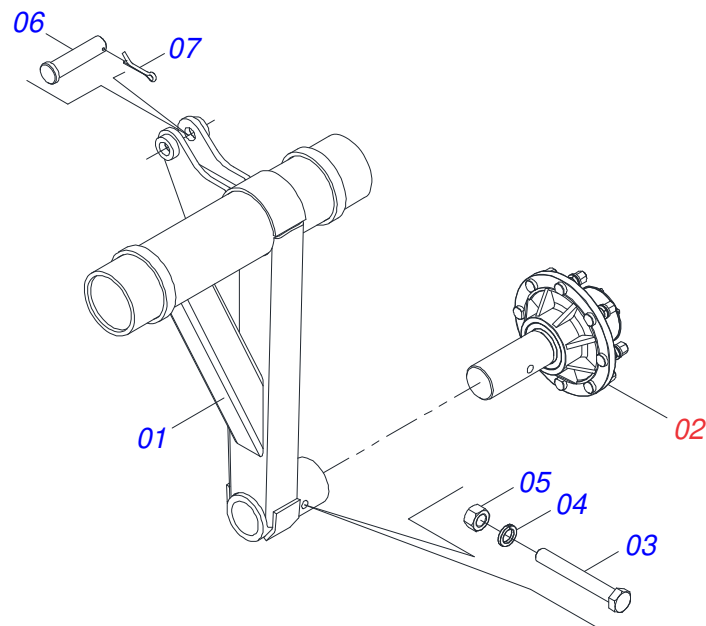
Item	Code	Description	See page	QT
01	0521066795	FRAME TAP E 30		01
02	0521066799	RIGHT REAR FRAME		01
03	0521066798	LEFT REAR FRAME		01
04	0521064930	RIGHT CLEANER SUPPORT		10
05	0521064931	LEFT CLEANER SUPPOFRT		10
06	0501010243	1/2" X 1-1/2" BOLT		60
07	0503010019	1/2" SPRING WASHER		60
08	0503012682	1/2" BSW NUT		60
09	0511052294	LEFT HUB AND SPINDLE	2	01
10	0511052295	RIGHT HUB AND SPINDLE	3	01
11	0511064092	SET SLIDE		01
12	0521017413	PIN WITH HEAD PN-357		04
13	0503031470	TM 251 X 4,0 STAPLE		04
14	0502011588	AXLE WHEEL BEARING		04
15	0503012222	FELT RING		04
16	0503010002	1800 GREASE FITTING		22
17	0503013310	7/8 UNC X 4 C S G.5 ZN BOLT		08
18	0521016290	STRENGTHENING GVC 30405		08
19	0503010417	7/8" NUT		16
20	0511050259	HARNES ASSY	5	01
21	0503061870	WHEEL AND TIRE ASSY		02
22	0511064103	PIN ARTICULATION		02
23	0503010073	3/8" X 3.1/2" SPLIT PIN		02
24	0521050463	HYDRAULIC CYLINDER	7	04
25	0511064354	LOCK PIN		08
26	0501010155	1/2" X 1" BOLT		08
27	0503010019	1/2" SPRING WASHER		14
28	0511041865	HYDRAULIC CYLINDER CH 4.40.50,8A 4102751	8	02
29	0511041866	CH 4.40.50,8 TC-A 4102789 HYDRAULIC CILINDER	6	01
30	0531017855	FIXER FLANGE		02



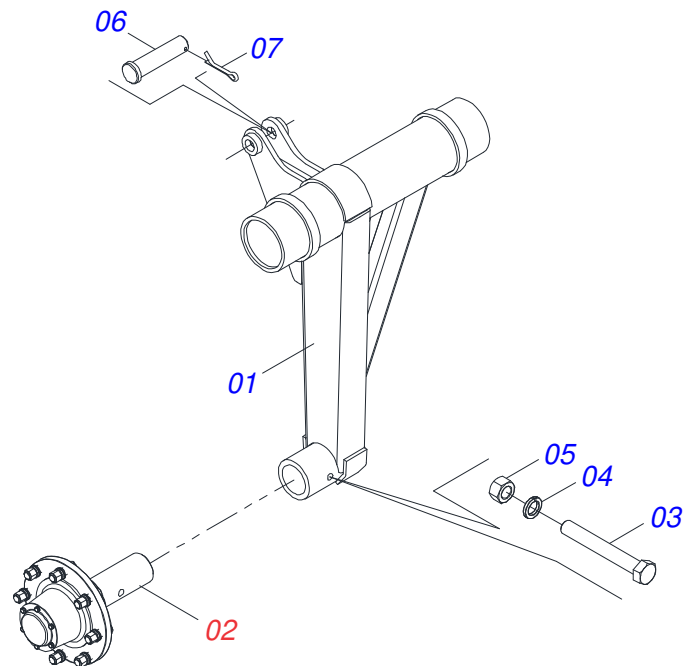
TAP E 30
FRAME

Page 1
0909094766

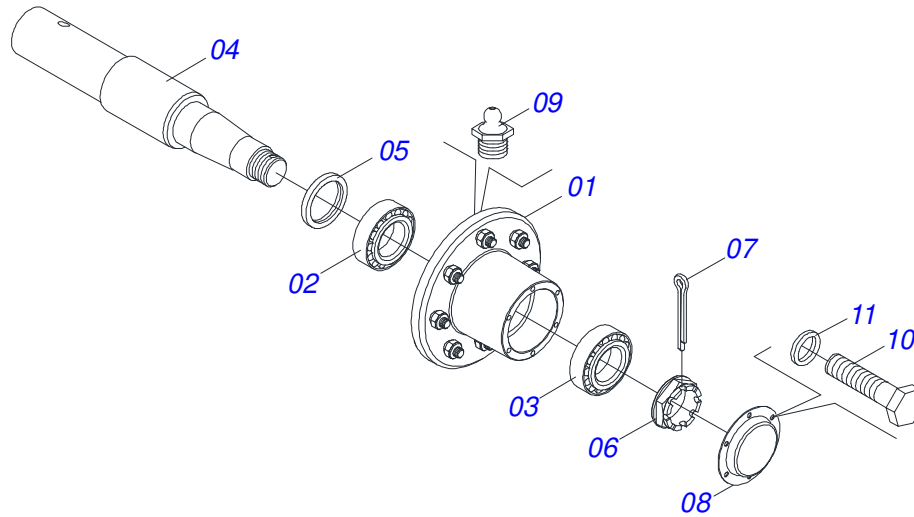
Item	Code	Description	See page	QT
31	0503010920	1/2 UNC X 1.1/2 C S G.5 ZN BOLT		06
32	0501061044	2-1/8" AND 2-1/2" CABLE FLAT WRENCH		02
33	0541010100	PIN		02
34	0503010010	SPLIT PIN 1/4" X 2.1/2"		02



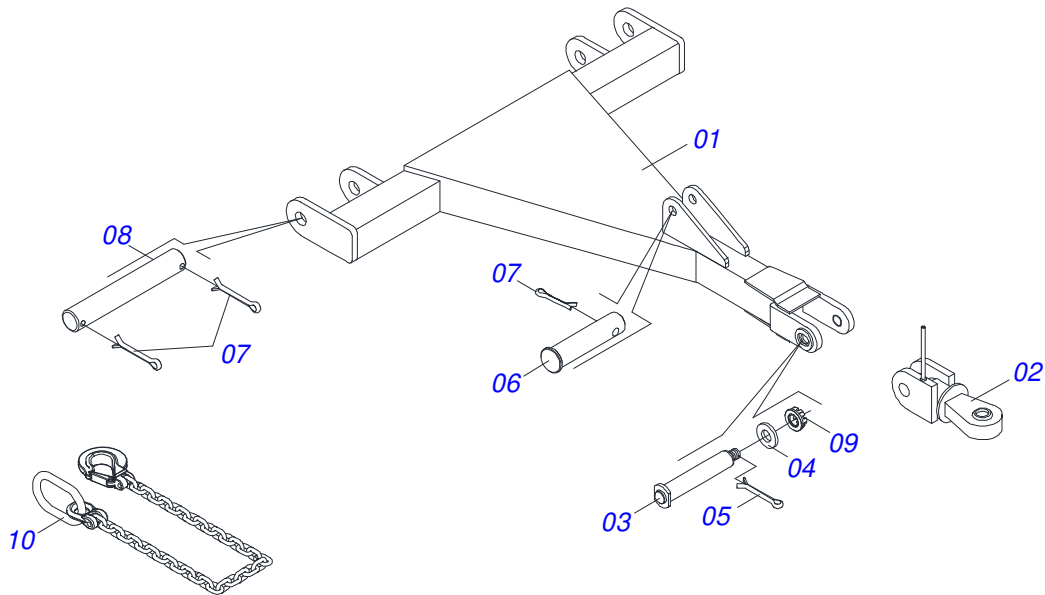
Item	Code	Description	See page	QT
01	0511064355	LEFT WHEEL AXLE		01
02	0501053910	JOINT CUBE OF THE WHEEL	4	01
03	0503013185	BOLT 3/4" UNC X 5.1/2 C S G.7 ZN		01
04	0503010023	3/4" SPRING WASHER		01
05	0503012183	SNC 3/4" ZIN 1K03097 NUT		01
06	0541010099	PIN TC 300104		01
07	0503010010	SPLIT PIN 1/4" X 2.1/2"		01



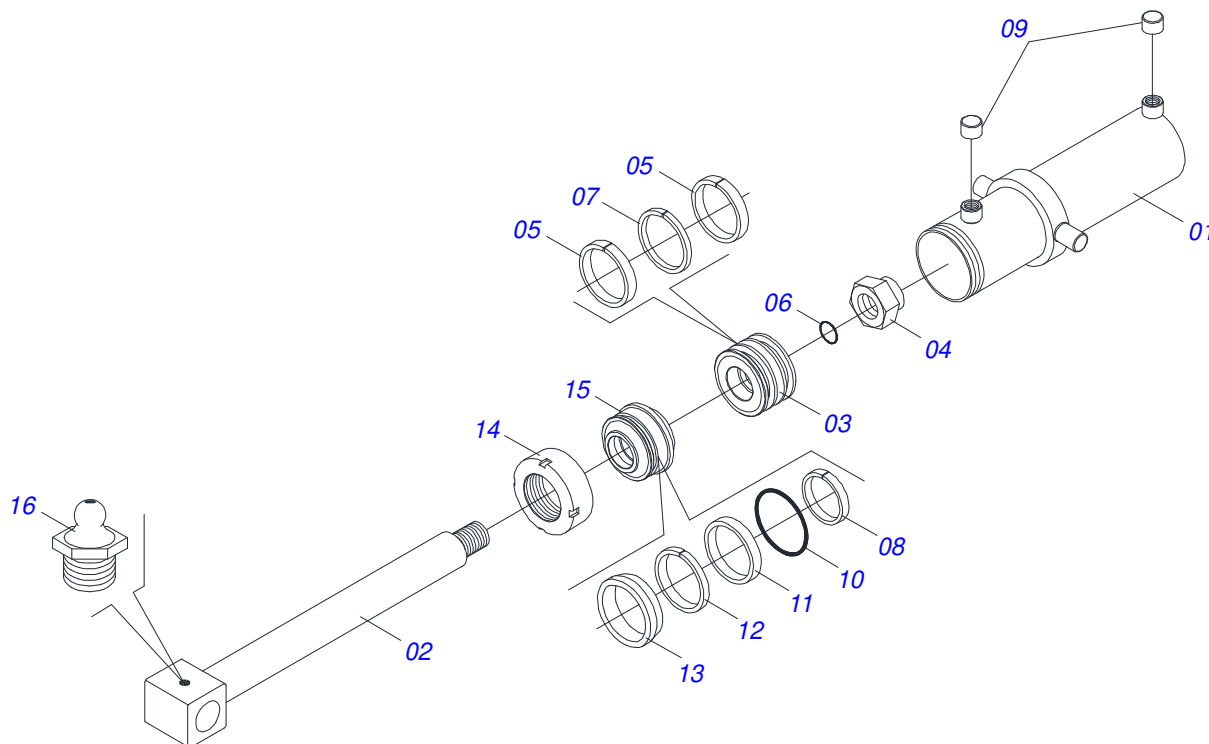
Item	Code	Description	See page	QT
01	0511064357	RIGHT WHEEL AXLE		01
02	0501053910	JOINT CUBE OF THE WHEEL	4	01
03	0503013185	BOLT 3/4" UNC X 5.1/2 C S G.7 ZN		01
04	0503010023	3/4" SPRING WASHER		01
05	0503012183	SNC 3/4" ZIN 1K03097 NUT		01
06	0541010099	PIN TC 300104		01
07	0503010010	SPLIT PIN 1/4" X 2.1/2"		01



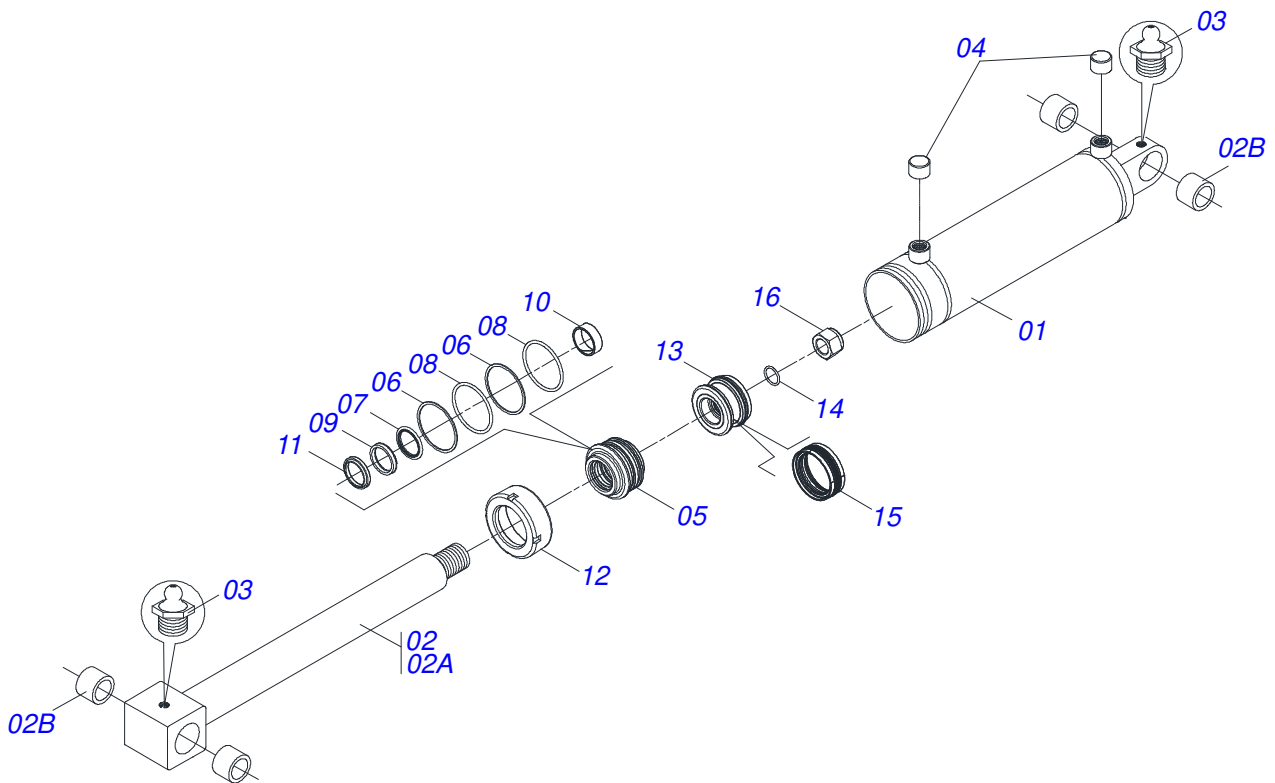
Item	Code	Description	See page	QT
01	0501110735	HUB CARRYING WHEELS WITH BOLT		01
02	0503010059	33287/33462 ROLLER BEARING		01
03	0503010007	3982/3920 ROLLER BEARING		01
04	0531018299	POINT AXIS Ø 88,8 X 412		01
05	0503010050	SEAL 00085-B		01
06	0502040080	FLANGE NUT R.2.1/2" UN		01
07	0503011345	1/4" X 3.1/2" SPLIT PIN		01
08	0541013225	WHEEL HUB LID		01
09	0503010002	1800 GREASE FITTING		01
10	0503010240	BOLT		06
11	0503011444	SPRING WASHER 5/16"		06



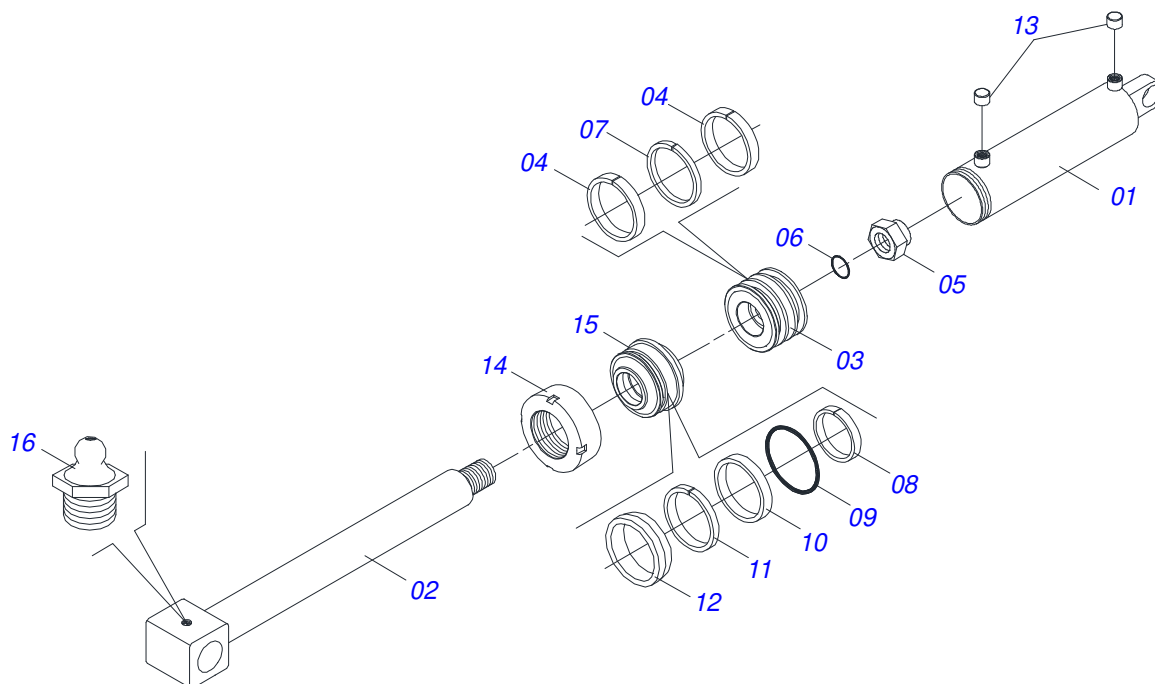
Item	Code	Description	See page	QT
01	0511064913	DRAWBAR		01
02	0511063677	HOOK HITCH		01
03	0511064915	ASSEMBLY BOLT		01
04	0501012916	FLAT WASHER 40 X 66 X 4,75 ZN		01
05	0503012213	1/4" X 4" SPLIT PIN		01
06	0541010100	PIN		01
07	0503010010	SPLIT PIN 1/4" X 2.1/2"		01
08	0541010097	PIN TC 200413		02
09	0502011592	CASTLE NUT		01
10	0503013150	1300 X 3/8" CHAIN		01



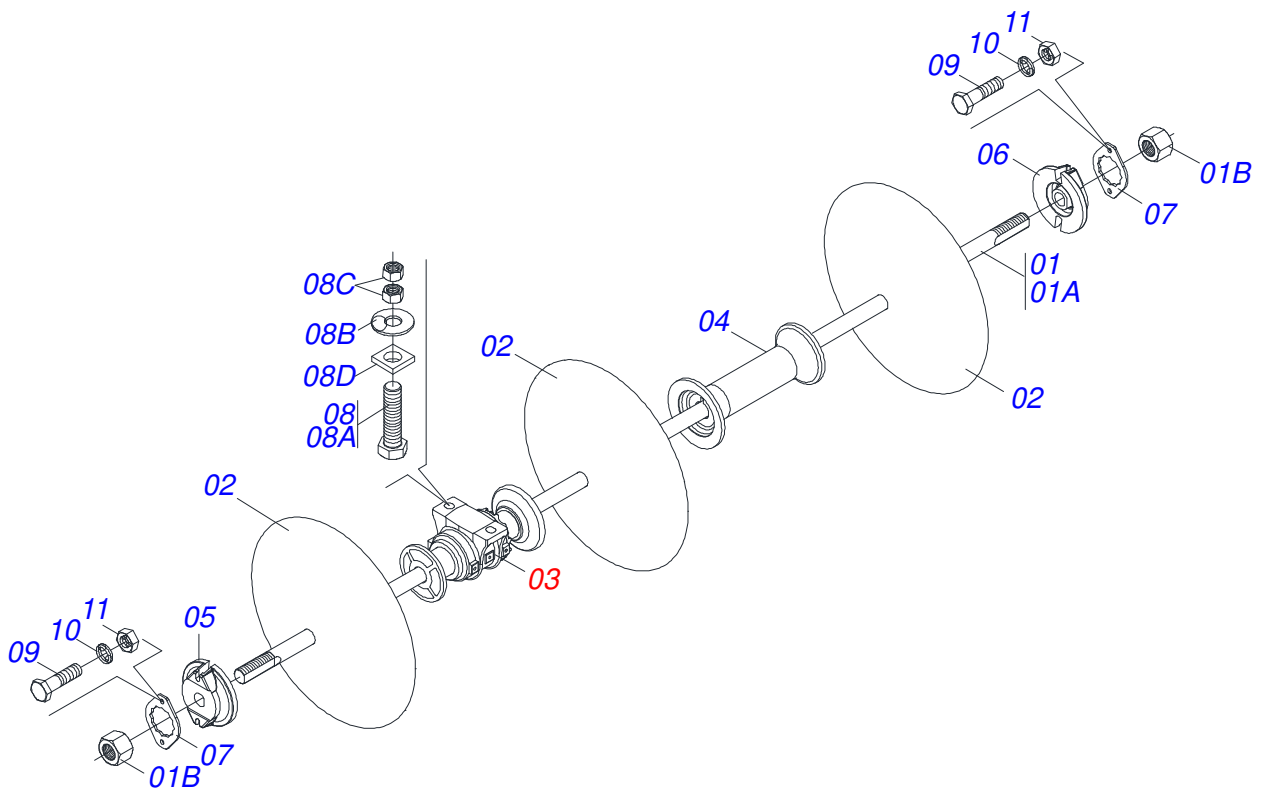
Item	Code	Description	See page	QT
01	0511064365	CYLINDER CASE		01
02	0511064911	ROD ASSEMBLY		01
03	0502010992	2.0" X 4.0" PISTON		01
04	0503010817	SELF LOCKING NUT 1.1/4 UNF ALTA G.5 ZN		01
05	0503010043	PACKING 3750-3250		02
06	0503010345	2-218 N 3006-9B O'RING		01
07	0503010994	W2-4000-500 PK RING G.E		01
08	0503010952	W2-2250-500 RING		01
09	0503030384	CON PLUG N-001		02
10	0503010338	2-342 N 3006-9B O'RING		01
11	0503011061	8-342 BACK-UP RING		01
12	0503010991	1870-2000-375-B GASKET		01
13	0503010039	D-2000 SCRAPER RING		01
14	0502010017	4" LID		01
15	0502010778	2" X 4.2" RING SUPPORT		01
16	0503010002	1800 GREASE FITTING		01



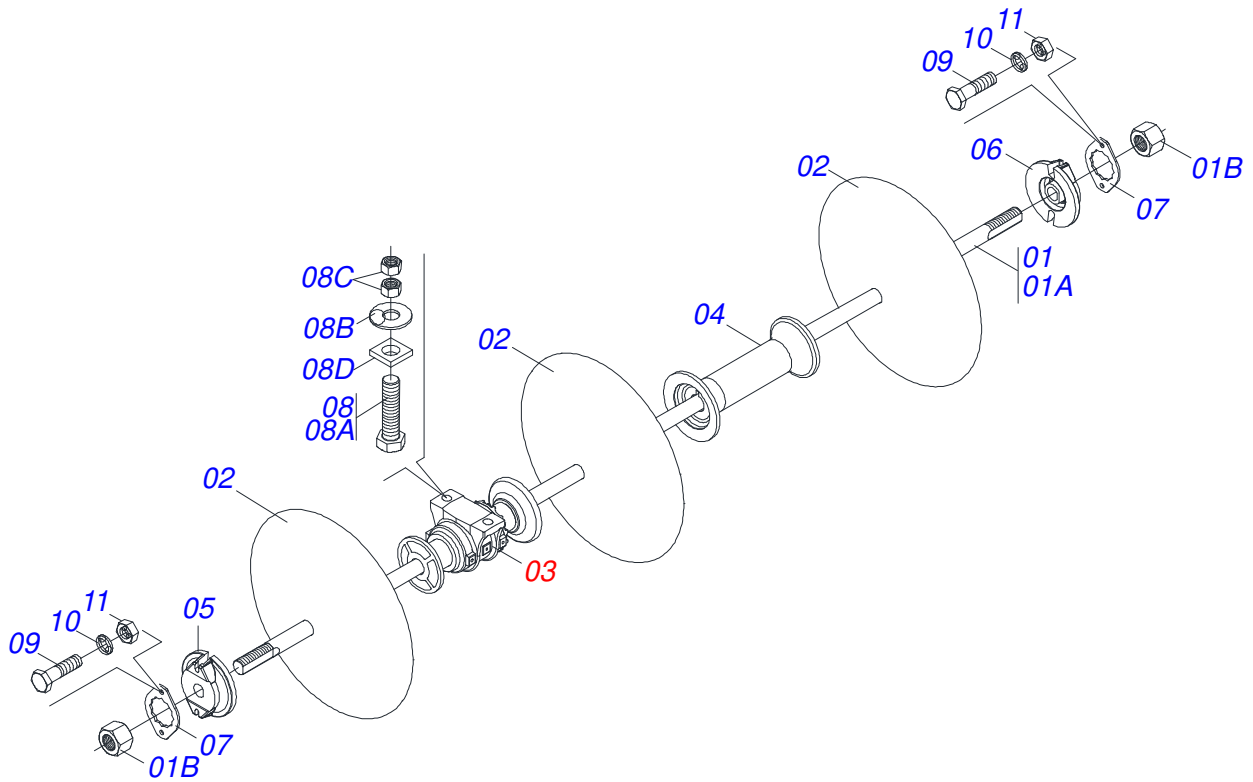
Item	Code	Description	See page	QT
01	0511064362	CYLINDER CASE		01
02	0511064363	ROD ASSEMBLY		01
02A	0531017897	TURNBUCLE		01
02B	0501110360	SLEEVE		01
03	0503010002	1800 GREASE FITTING		02
04	0503030384	CON PLUG N-001		02
05	0502012821	2" X 4" RING SUPPORT		01
06	0503011061	8-342 BACK-UP RING		02
07	0503018024	RING BS OD050805200171D-BR		01
08	0503010338	2-342 N 3006-9B O'RING		02
09	0503018026	GASKET 1870-2000-375 B POLYMAX		01
10	0503018025	RING GUIDE W2-2250-750		01
11	0503010039	D-2000 SCRAPER RING		01
12	0502012822	END CAP 4"		01
13	0502012842	50,80 X 101,60 PISTON		01
14	0503018029	O'RING 2-217 N 3006 90B		01
15	0503015633	SELEMASTER SEALING		01
16	0503010817	SELF LOCKING NUT 1.1/4 UNF ALTA G.5 ZN		01



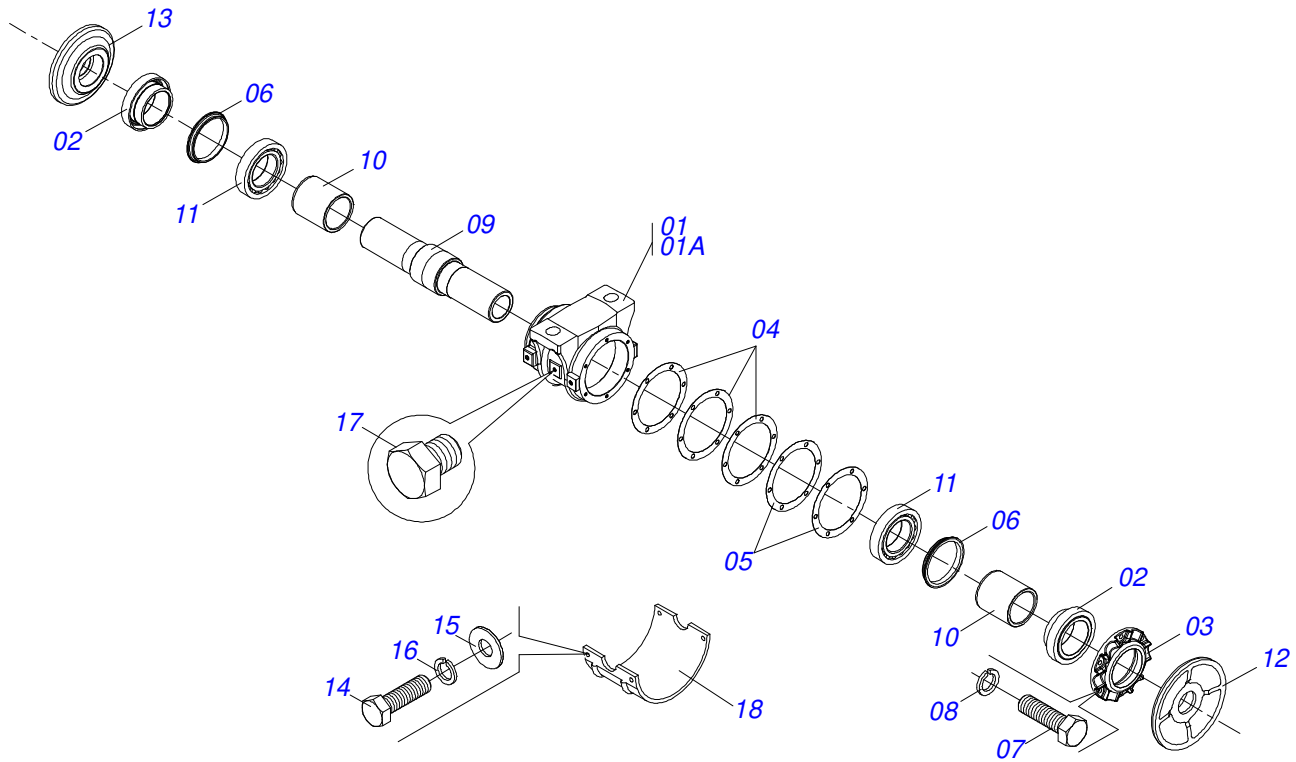
Item	Code	Description	See page	QT
01	0511064912	CYLINDER CASE		01
02	0511064911	ROD ASSEMBLY		01
03	0502010992	2.0" X 4.0" PISTON		01
04	0503010043	PACKING 3750-3250		02
05	0503010817	SELF LOCKING NUT 1.1/4 UNF ALTA G.5 ZN		01
06	0503010345	2-218 N 3006-9B O'RING		01
07	0503010994	W2-4000-500 PK RING G.E		01
08	0503010952	W2-2250-500 RING		01
09	0503010338	2-342 N 3006-9B O'RING		01
10	0503011061	8-342 BACK-UP RING		01
11	0503010991	1870-2000-375-B GASKET		01
12	0503010039	D-2000 SCRAPER RING		01
13	0503030384	CON PLUG N-001		02
14	0502010017	4" LID		01
15	0502010778	2" X 4.2" RING SUPPORT		01
16	0503010002	1800 GREASE FITTING		01



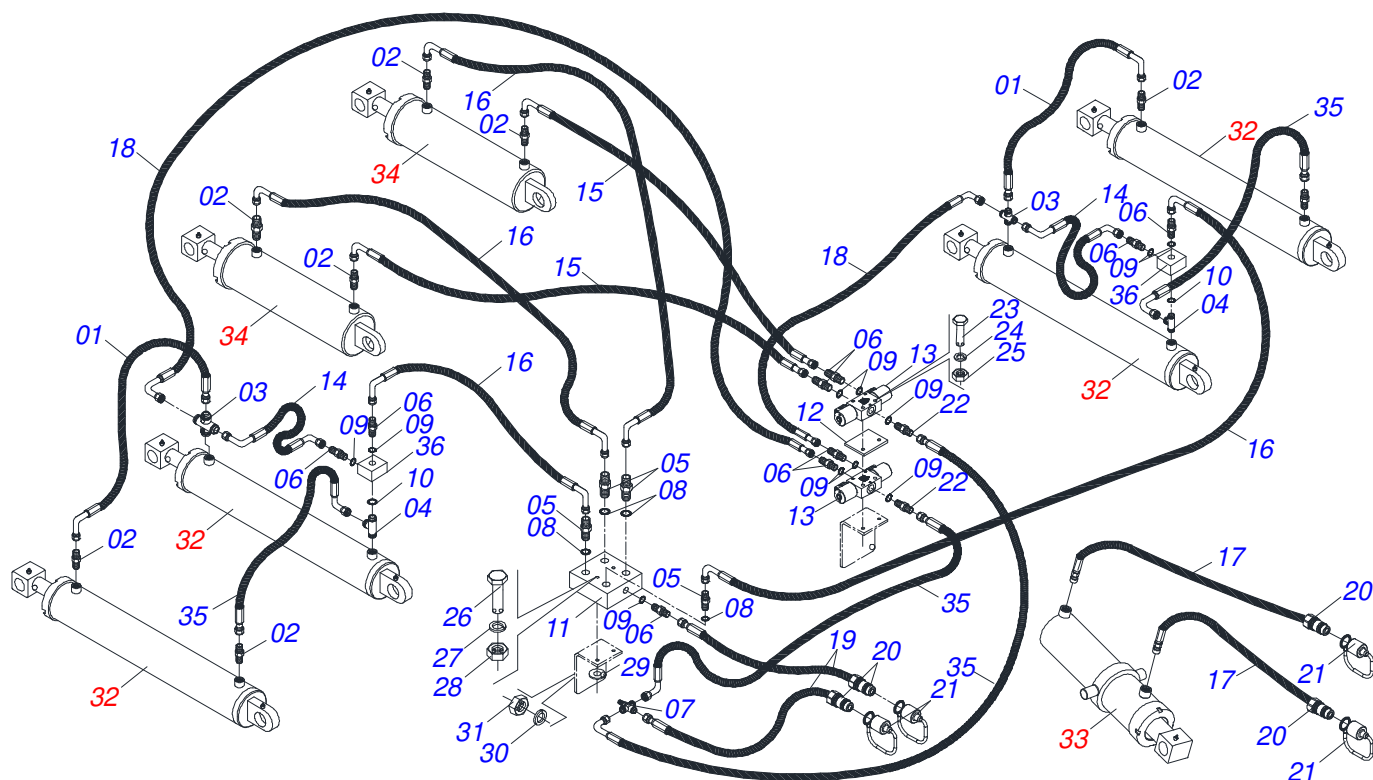
Item	Code	Description	See page	QT
01	0511053649	2-1/8 X 2045 AXLE WITH NUT		02
01A	0571014259	2-1/8 X 2495 AXLE		02
01B	0502040063	2-1/8" X 54 99 NUT		02
02	0601036036	PLAIN DISC BLADE		10
03	0521041852	AGRICULTURAL BEARING	11	04
04	0502012711	447 SPACER		04
05	0502010594	2-1/8" EXTERNAL AXLE WASHER		02
06	0502010595	2-1/8" INNER AXLE WASHER		02
07	0541010368	NUT LOCK		04
08	0501042139	1" X 4.3" ASSY BOLT		08
08A	0501011547	1" X 4-1/2" BOLT		01
08B	0541010210	FLAT WASHER		01
08C	0501010059	1.5/8 NUT		02
08D	0502012861	1" SQUARE WASHER		01
09	0503010232	5/8" X 1.3/4" BOLT		04
10	0501012140	FLAT WASHER 16,50 X 40 X 4,00 ZN		04
11	0503012412	5/8" UNC SELF LOCKING NUT		04



Item	Code	Description	See page	QT
01	0511053649	2-1/8 X 2045 AXLE WITH NUT		02
01A	0571014259	2-1/8 X 2495 AXLE		02
01B	0502040063	2-1/8" X 54 99 NUT		02
02	0601036036	PLAIN DISC BLADE		10
03	0521041852	AGRICULTURAL BEARING	11	04
04	0502012711	447 SPACER		04
05	0502010594	2-1/8" EXTERNAL AXLE WASHER		02
06	0502010595	2-1/8" INNER AXLE WASHER		02
07	0541010368	NUT LOCK		04
08	0501042139	1" X 4.3" ASSY BOLT		08
08A	0501011547	1" X 4-1/2" BOLT		01
08B	0541010210	FLAT WASHER		01
08C	0501010059	1.5/8 NUT		02
08D	0502012861	1" SQUARE WASHER		01
09	0503010232	5/8" X 1.3/4" BOLT		04
10	0501012140	FLAT WASHER 16,50 X 40 X 4,00 ZN		04
11	0503012412	5/8" UNC SELF LOCKING NUT		04

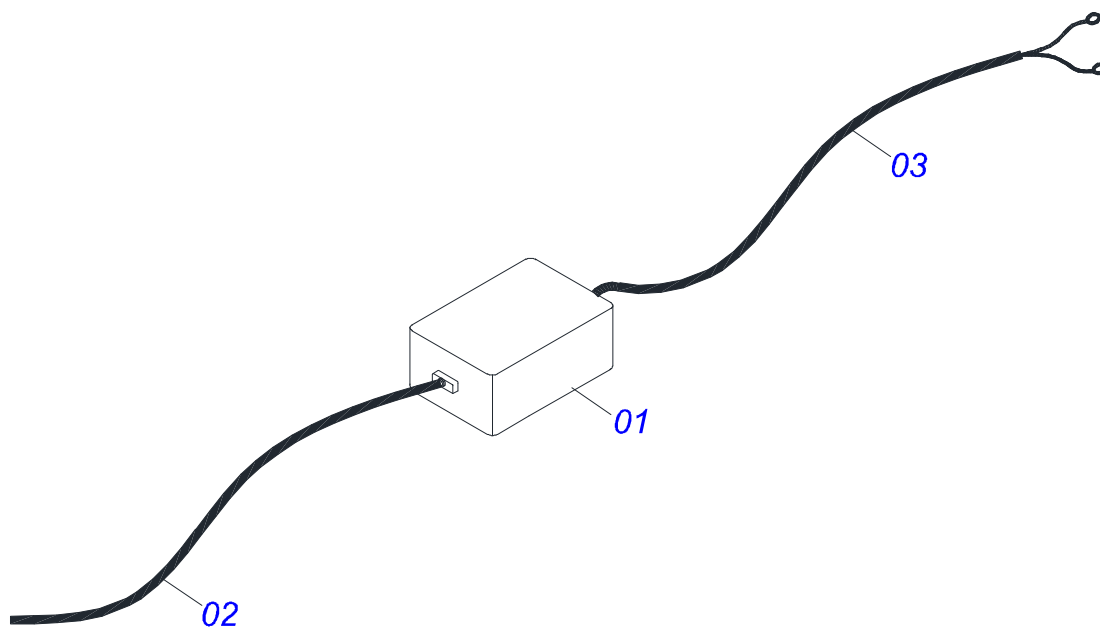


Item	Code	Description	See page	QT
01	0521041797	BEARING		01
01A	0502012262	HOUSING DM		01
02	0502040123	SEAL RETAINER		02
03	0502010645	HOUSING CAP DM		01
04	0503030536	7.1" X 5.5" X 0.01" JOINT		03
05	0503030686	7.1" X 5.5" X 0.004" JOINT		02
06	0503030028	JB-257 SEAL		02
07	0503010751	C3/8" X 1.1/4" HEX BOLT G.5		06
08	0503011443	SPRING WASHER 3/8"		06
09	0502012712	AXLE BEARING		01
10	0571013127	SPACER SLEEVE		02
11	0503010117	32216 ROLLER BEARING		02
12	0502040260	OUTER FLANGE		01
13	0502040261	INNER FLANGE		01
14	0503011401	1/2" X 3/4" BOLT		04
15	0511017302	FLAT WASHER 13,50 X 32,50 X 3,0 ZN		04
16	0503010019	1/2" SPRING WASHER		04
17	0503010856	OIL PLUG R 3/8 BSPT		02
18	0511013169	PROTECTION COVER BEARING		01



Item	Code	Description	See page	QT
01	0501082057	HOSE		02
02	0511014065	7/8" NF X R1/2NPT X 52 NIPPLE		08
03	0511064523	TERMINAL CONNECTION		02
04	0511064524	ADAPTER (TC)		02
05	0531013708	7/8 UNF X R 9/16 UNF X 45 NIPPLE		02
06	0501011460	7/8 NF REDUCTION NIPPLE		09
07	0511064358	TERMINAL CONNECTION		01
08	0503011030	2-014 N 3006-9B O'RING		04
09	0503012905	2113 O'RING		11
10	0503010045	O'RING		02
11	0521069800	DISTRIBUTOR		01
12	0541011753	SEPARATOR PLATE		01
13	0503062305	BLOCK COMMAND		02
14	0501080858	1/2" X 35" HOSE ASSY		02
15	0501080093	1/2 X 1300 HOSE TR-TC		02
16	0501080627	HOSE 1/2 X 1800 TC-TC		04
17	0501080851	1/2 X 2500 HOSE TM-TM		02
18	0501080272	1/2" X 106" TR-TC HOSE		02
19	0501080167	1/2" X 3000 TR-TM HOSE		02
20	0503011627	MALE QUICK COUPLER AGR 1/2 NPT		04
21	0503011882	MALE QUICK COUPLER CAP		04
22	0501010590	NIPPLE		02
23	0503011123	BOLT		02
24	0503010025	3/8 SPRING WASHER		02
25	0503010026	3/8" NUT		02
26	0503010373	SCREW 1/4 UNC X 2 CS G.2 ZN		02
27	0503010143	1/4" SPRING WASHER		02
28	0503010144	1/4" NUT		02
29	0501010937	13,50 X 28 X 3,00 FLAT WASHER		01
30	0503010019	1/2" SPRING WASHER		01

Item	Code	Description	See page	QT
31	0503010060	1/2 UNC G.5 ZN HEX NUT		01
32	0521050463	HYDRAULIC CYLINDER	7	04
33	0511041866	CH 4.40.50,8 TC-A 4102789 HYDRAULIC CILINDER	6	01
34	0511041865	HYDRAULIC CYLINDER CH 4.40.50,8A 4102751	8	02
35	0501080113	1/2 X600 HOSE TR-TC		04
36	0503012502	HYDRAULIC VALVE RETAINING		02



Item	Code	Description	See page	QT
01	0503017514	CONTROL PANEL		01
02	0503017515	WHIP (VALVE)		01
03	0503017516	WHIP (BATTERY)		01

ANNOTATION



A series of horizontal lines for writing, consisting of 20 evenly spaced lines that span the width of the page.





MARCHESAN

Technical Publications | Elaboration and Revision

ALESSANDRA PATRICIA KAWAHARA CARRILI

www.marchesan.com.br

