

ROW CROP PLANTERS

**T2SI
(UNTIL 03/2022)**

Code: 0501091041
Series: S-1198
Revision: 00
Date Revision: JANEIRO/2021

PARTS CATALOGUE



MARCHESAN



PRODUCTS

Code	Description
0111010440	T2SI 3L 3200 DD FB DC MA SULC S1198
0111010335	T2SI 4L 3200 DD B B S-1198
0111010336	T2SI 4L 3200 DD B F S-1198
0111010337	T2SI 4L 3200 DD F B S-1198
0111010338	T2SI 4L 3200 DD F F S-1198
0111010372	T2SI 4L 3200 DD FB DC MA SULC S1198
0111010371	T2SI 4L 3200 DD FF DC MA SULC S1198
0111010371C	T2SI 4L 3200 DD FF DC MA SULC S1198
0111010339	T2SI 4L 3200 HS B B S-1198
0111010340	T2SI 4L 3200 HS B F S-1198
0111010341	T2SI 4L 3200 HS F B S-1198
0111010342	T2SI 4L 3200 HS F F S-1198
0111010343	T2SI 5L 3200 DD B B S-1198
0111010344	T2SI 5L 3200 DD B F S-1198
0111010345	T2SI 5L 3200 DD F B S-1198
0111010346	T2SI 5L 3200 DD F F S-1198
0111010430	T2SI 5L 3200 DD F F S/MARC LINHA
0111010431	T2SI 5L 3200 DD F F S/SIST ADB S/ML
0111010374	T2SI 5L 3200 DD FB DC MA SULC S1198
0111010373	T2SI 5L 3200 DD FF DC MA SULC S1198
0111010347	T2SI 5L 3200 HS B B S-1198
0111010348	T2SI 5L 3200 HS B F S-1198
0111010349	T2SI 5L 3200 HS F B S-1198
0111010350	T2SI 5L 3200 HS F F S-1198
0111010351	T2SI 6L 3200 DD B B S-1198
0111010352	T2SI 6L 3200 DD B F S-1198
0111010353	T2SI 6L 3200 DD F B S-1198
0111010354	T2SI 6L 3200 DD F F S-1198
0111010376	T2SI 6L 3200 DD FB DC MA SULC S1198
0111010375	T2SI 6L 3200 DD FF DC MA SULC S1198

ATTENTION: IMPORTANT

Marchesan S.A. reserves the right to improve and/or modify the technical features of its products, without obligation to do the same with those products already sold and without prior knowledge of the dealer or the consumer. The photos are only illustrative.



PRODUCTS

0111010355	T2SI 6L 3200 HS B B	S-1198
0111010356	T2SI 6L 3200 HS B F	S-1198
0111010357	T2SI 6L 3200 HS F B	S-1198
0111010358	T2SI 6L 3200 HS F F	S-1198

ATTENTION: IMPORTANT

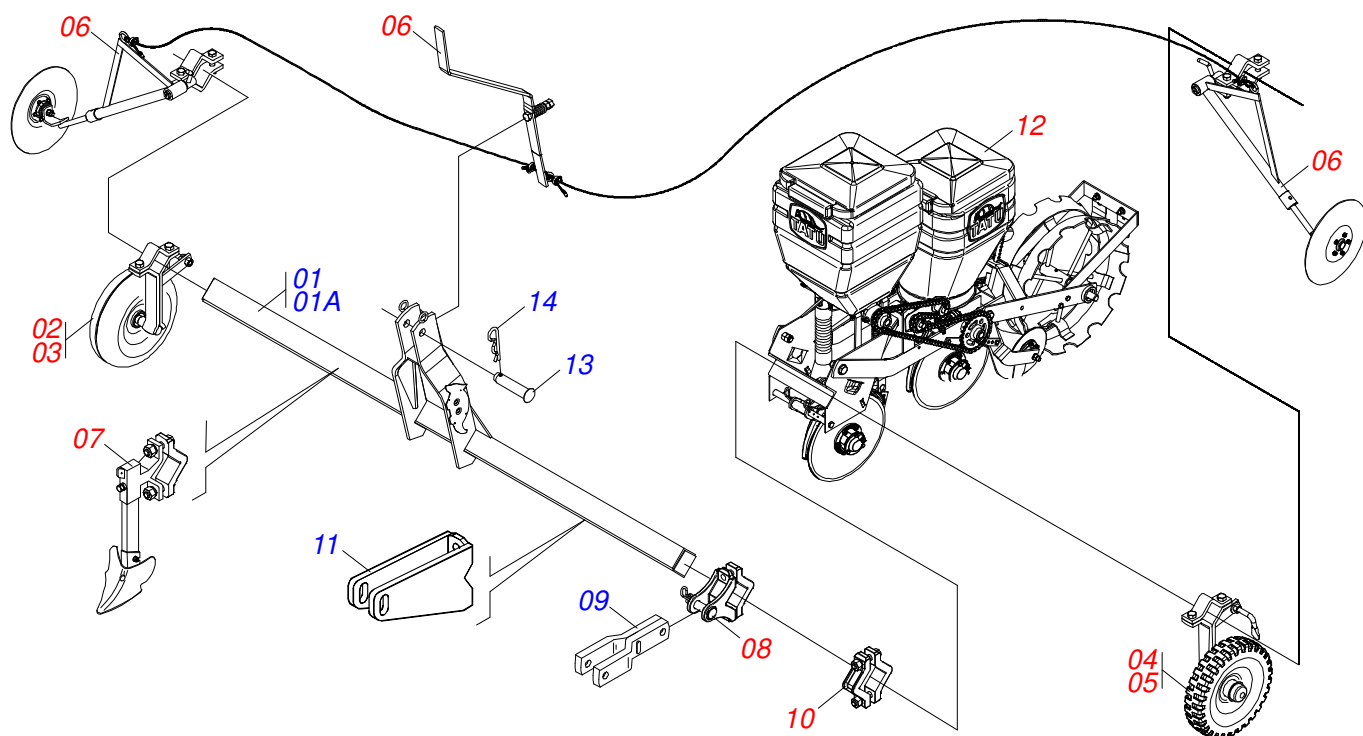
Marchesan S.A. reserves the right to improve and/or modify the technical features of its products, without obligation to do the same with those products already sold and without prior knowledge of the dealer or the consumer. The photos are only illustrative.



MARCHESAN

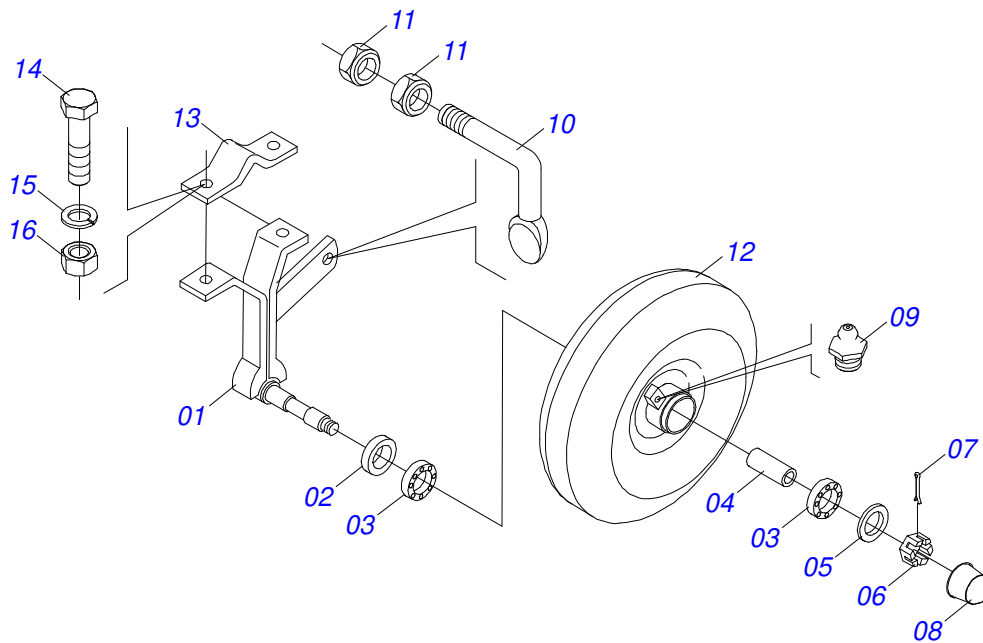
INDEX

0909091002	FRAME ASSY	1
0501043479	RIGHT BEARING IRON SUSTAINING WHEEL	2
0501043528	LEFT BEARING IRON SUSTAINING WHEEL	3
0501043474	RIGHT RUBBER WHELLS	4
0501043651	LEFT IRON WHEEL	5
0909094971	ROW MARKER ASSY	6
0501044547	8 POINT SUBSOILER	7
0909094972	CLIP HITCH FRAME	8
0909094973	FIXER CARRYING	9
0909091013	SEED/FERTILIZER ROW ASSY	10
0501043493	ROW DOUBLE DISC IRON T2SI	11
0501043497	ROW DOUBLE/DISC	12
0501043491	ROW DOUBLE/DISC	13
0501043495	ROW DOUBLE/DISC	14
0501043500	ROW DOUBLE	15
0501043498	ROW DOUBLE	16
0501043487	ROW DOUBLE/DISC	17
0909094992	SEMI-ASSEMBLED FRAME	18
0909094993	SUPPORT WITH IRON WHEEL	19
0909094994	DRAWBAR	20
0909090999	FERTILIZER SYSTEM	21
0909090996	SEED ASSY	22
0909094995	ADJUSTMENT BAR	23
0909090997	SEED DOUBLE DISC	24
0909091001	FERTILIZER DOUBLE DISC ASSY	25
0909095002	SUPPORT WITH RUBBER WHEEL	26
0501040208	RODA COMPACT RUBBER	27
0909091015	ROD SUBSOILER CORN	28
0909091014	COVER DISC	29
0501046940	SEMI-DIRECTO ROW ASSY ASSY	30
0909091005	SEMI-DIRECTO ROW ASSY D.BL SPLINDE	31
0501043145	SEED COTTON SYSTEM ASSY	32
0501041659	SEED PEANUT SYSTEM ASSY	33



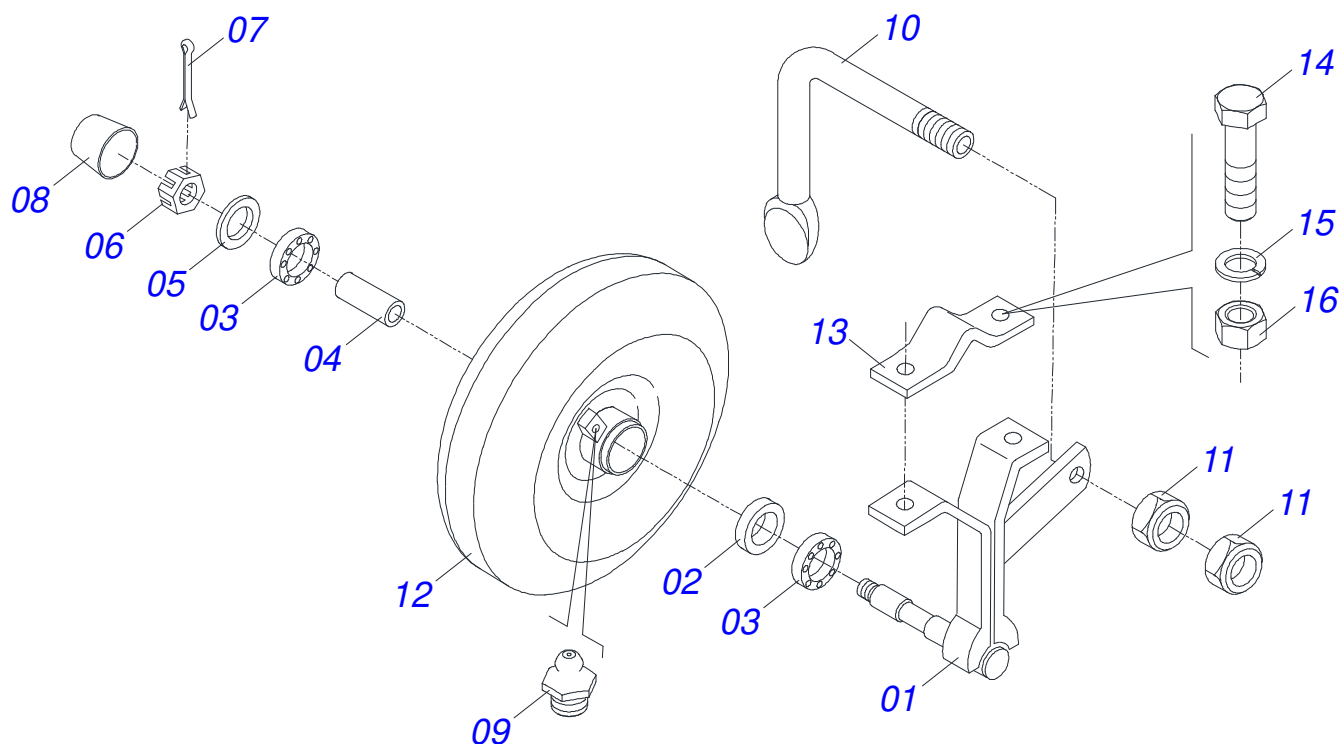
Item	Code	Description	See page	03L	04L	05L	06L
01	0501058866	FRAME		01	01	01	01
01A	0511061609	3200 FRAME		01	01	01	01
02	0501043479	RIGHT BEARING IRON SUSTAINING WHEEL	2	01	01	01	01
03	0501043528	LEFT BEARING IRON SUSTAINING WHEEL	3	01	01	01	01
04	0501043474	RIGHT RUBBER WHELLS	4	01	01	01	01
05	0501043651	LEFT IRON WHEEL	5	01	01	01	01
06	0909094971	ROW MARKER ASSY	6	01	01	01	01
07	0501044547	8 POINT SUBSOILER	7	01	01	01	01
08	0909094972	CLIP HITCH FRAME	8	02	02	02	02
09	0501067680	DRAWBAR SUPPLEMENT		02	02	02	02
10	0909094973	FIXER CARRYING	9	02	02	02	02
11	0501067684	HITCH		02	02	02	02
12	0909091013	SEED/FERTILIZER ROW ASSY	10	03	04	05	06
13	0521010578	COUPLING SHAFT		01	01	01	01
14	0503031035	HAIR PIN		01	01	01	01

RIGHT BEARING IRON SUSTAINING WHEEL



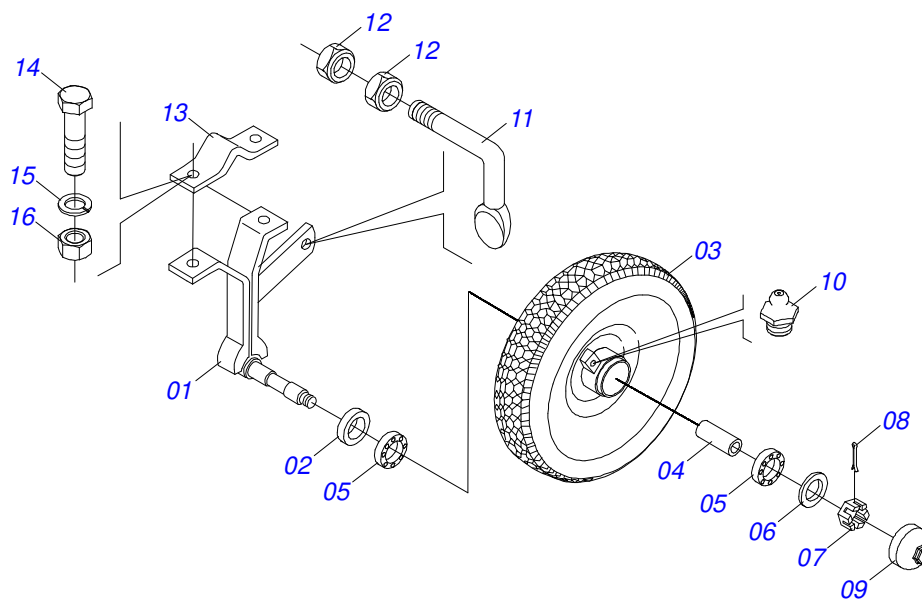
Item	Code	Description	See page	QT
01	0501068833	RH SUPPORT WHEELS		01
02	0503010268	00262-B SEAL		01
03	0503010269	6204 BALL BEARING		02
04	0521010492	SPACING SLEEVE		01
05	0511017305	FLAT WASHER		01
06	0503030282	3/4" CASTLE NUT		01
07	0503010018	5/32 X 1-1/2 COTTERPIN		01
08	0521010380	PROTECTIVE COVER		01
09	0503010002	1800 GREASE FITTING		01
10	0501016153	DEPTH WHEEL SCRAPER		01
11	0503010013	5/8" NUT		02
12	0501063340	WHEELS		01
13	0502010175	HITCH CLAMP		01
14	0501011541	5/8" X 3" BOLT		02
15	0503010027	5/8" SPRING WASHER		02
16	0503010013	5/8" NUT		02

LEFT BEARING IRON SUSTAINING WHEEL



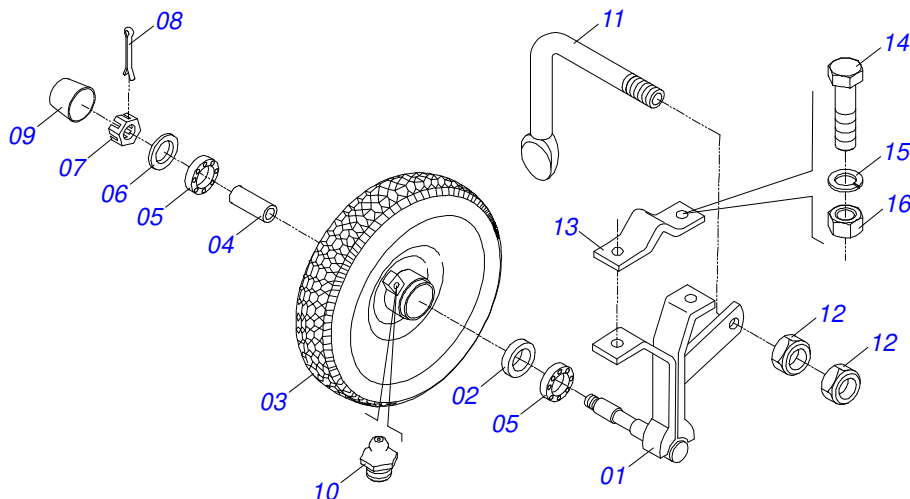
Item	Code	Description	See page	QT
01	0501068834	LH SUPPORT WHEELS		01
02	0503010268	00262-B SEAL		01
03	0503010269	6204 BALL BEARING		02
04	0521010492	SPACING SLEEVE		01
05	0511017305	FLAT WASHER		01
06	0503030282	3/4" CASTLE NUT		01
07	0503010018	5/32 X 1-1/2 COTTERPIN		01
08	0521010380	PROTECTIVE COVER		01
09	0503010002	1800 GREASE FITTING		01
10	0501016153	DEPTH WHEEL SCRAPER		01
11	0503010013	5/8" NUT		02
12	0501063340	WHEELS		01
13	0502010175	HITCH CLAMP		01
14	0501011541	5/8" X 3" BOLT		02
15	0503010027	5/8" SPRING WASHER		02
16	0503010013	5/8" NUT		02

RIGHT RUBBER WHELLS

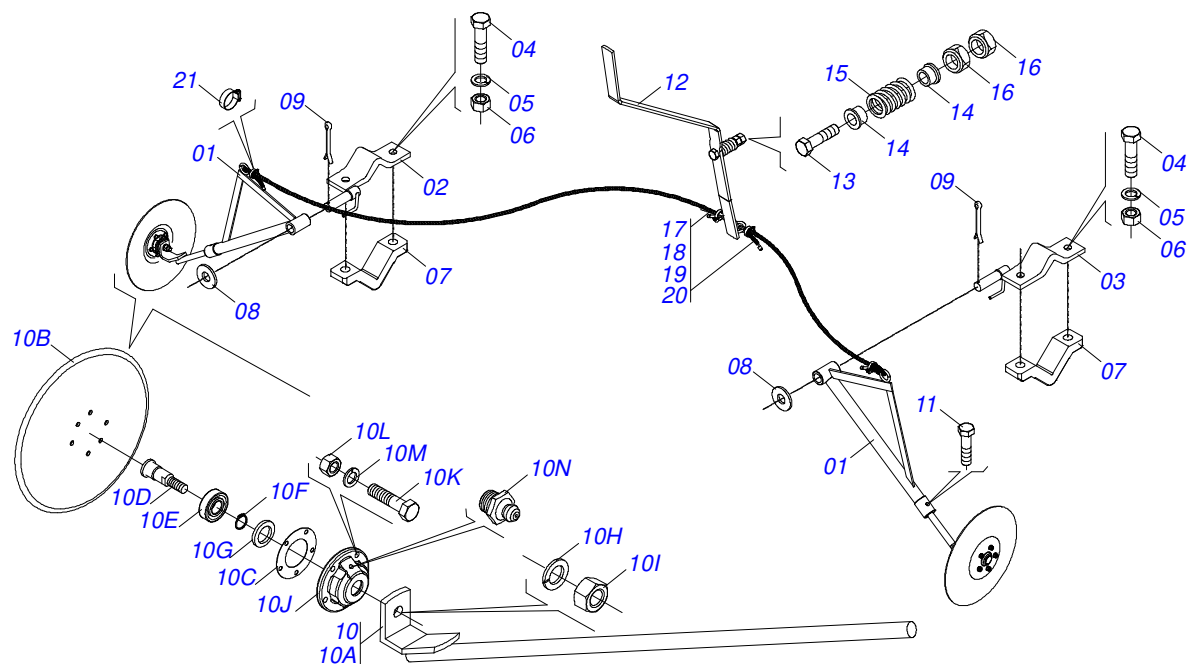


Item	Code	Description	See page	QT
01	0501068833	RH SUPPORT WHEELS		01
02	0503010268	00262-B SEAL		01
03	0503060014	13.78" X 8 WHEEL ASSY		01
04	0521010492	SPACING SLEEVE		01
05	0503010269	6204 BALL BEARING		02
06	0511017305	FLAT WASHER		01
07	0503030282	3/4" CASTLE NUT		01
08	0503010018	5/32 X 1-1/2 COTTERPIN		01
09	0502020594	PROTECCION COVER		01
10	0503010002	1800 GREASE FITTING		01
11	0501016153	DEPTH WHEEL SCRAPER		01
12	0503010013	5/8" NUT		02
13	0502010175	HITCH CLAMP		01
14	0501011541	5/8" X 3" BOLT		02
15	0503010027	5/8" SPRING WASHER		02
16	0503010013	5/8" NUT		02

LEFT IRON WHEEL



Item	Code	Description	See page	QT
01	0501068834	LH SUPPORT WHEELS		01
02	0503010268	00262-B SEAL		01
03	0503060014	13.78" X 8 WHEEL ASSY		01
04	0521010492	SPACING SLEEVE		01
05	0503010269	6204 BALL BEARING		02
06	0511017305	FLAT WASHER		01
07	0503030282	3/4" CASTLE NUT		01
08	0503010018	5/32 X 1-1/2 COTTERPIN		01
09	0502020594	PROTECCION COVER		01
10	0503010002	1800 GREASE FITTING		01
11	0501016153	DEPTH WHEEL SCRAPER		01
12	0503010013	5/8" NUT		02
13	0502010175	HITCH CLAMP		01
14	0501011541	5/8" X 3" BOLT		02
15	0503010027	5/8" SPRING WASHER		02
16	0503010013	5/8" NUT		02



Item	Code	Description	See page	1800	2800	3200	3600	4200
01	0501065205	SMALLER ROW MARKER SUPPORT		02	02	02	02	02
02	0501065193	RH ROW MARKER FIXER		01	01	01	01	01
03	0501065194	LH ROW MARKER FIXER		01	01	01	01	01
04	0501011541	5/8" X 3" BOLT		04	04	04	04	04
05	0503010027	5/8" SPRING WASHER		04	04	04	04	04
06	0503010013	5/8" NUT		04	04	04	04	04
07	0502010175	HITCH CLAMP		02	02	02	02	02
08	0501011445	FLAT WASHER		02	02	02	02	02
09	0503010018	5/32 X 1-1/2 COTTERPIN		02	02	02	02	02
10	0501050393	ROW MARKER ARM		02	02	02	02	02
10A	0501065319	ROW MARKER DISC SUPPORT		02	02	02	02	02
10B	0601013504	12" X 3" PLAIN DISC BLADE		02	02	02	02	02
10C	0503030143	3.3" X 1.9" X 0.1" JOINT		02	02	02	02	02
10D	0501012934	COVER DISC AXLE		02	02	02	02	02
10E	0503010269	6204 BALL BEARING		02	02	02	02	02
10F	0503010302	501019 SEAL RING		02	02	02	02	02
10G	0503010272	SEAL 00715-BA		02	02	02	02	02
10H	0503011440	SPRING WASHER		02	02	02	02	02
10I	0503010060	1/2" NUT		02	02	02	02	02
10J	0502020600	MARKER ARM DISC HUB		02	02	02	02	02
10K	0503010282	1/4" X 3/4" BOLT		02	02	02	02	02
10L	0503011441	SPRING WASHER		02	02	02	02	02
10M	0503010144	1/4" NUT		04	04	04	04	04
10N	0503010002	1800 GREASE FITTING		02	02	02	02	02
11	0503010834	1/2 X 1 BOLT		02	02	02	02	02
12	0501065196	ROW MARKER LEVER		01	01	01	01	01
13	0503010479	BOLT		01	01	01	01	01
14	0501016231	SPRING GUIDE		02	02	02	02	02
15	0503030479	1.65"X0,2"X1.18" COMPRESSION SPRING		01	01	01	01	01
16	0503010060	1/2" NUT		02	02	02	02	02
17	0511010369	3/8" X 74.80" LEVER ROPE		02	00	00	00	00



T2SI

(UNTIL 03/2022)

Page 6

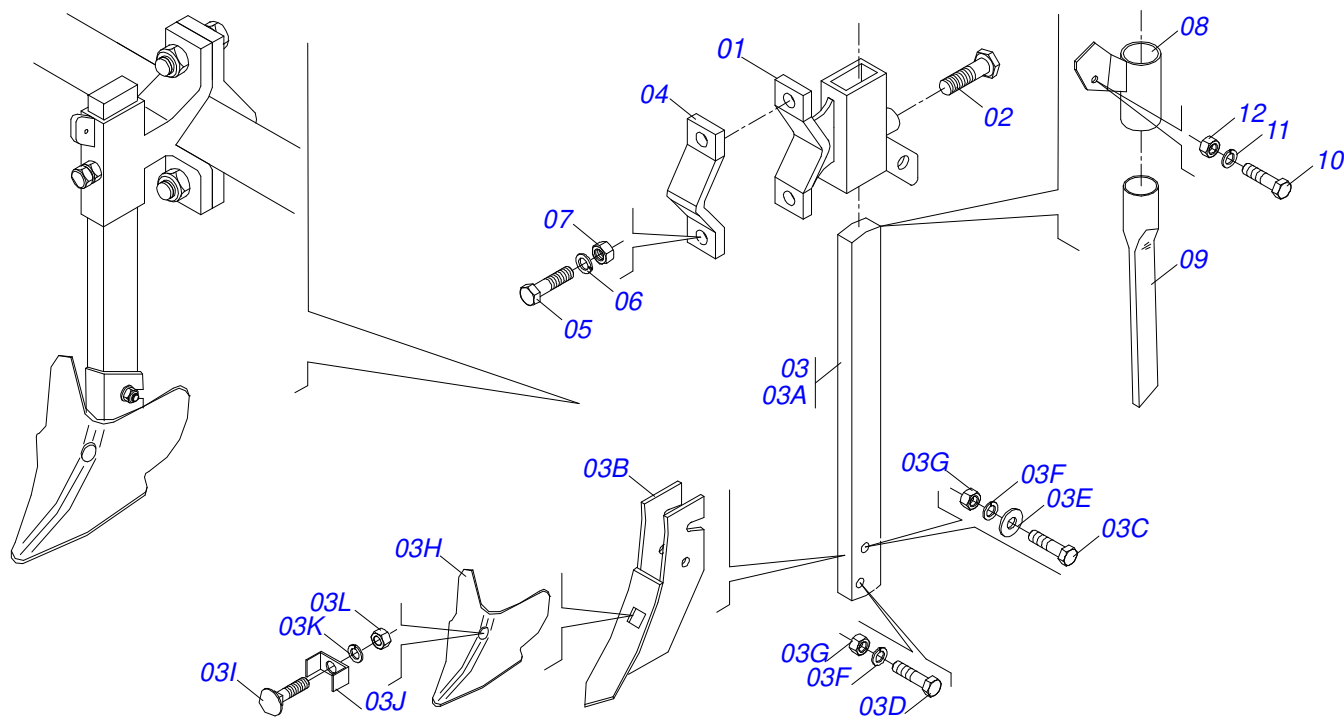
ROW MARKER ASSY

0909094971

Item	Code	Description	See page	1800	2800	3200	3600	4200
18	0511010364	3/8" X 74.80" LEVER ROPE		01	01	00	00	00
19	0511010365	ROPE		00	00	01	00	00
20	0511010366	ROPE		00	00	00	01	01
21	0503010296	CLAMP		04	04	04	04	04

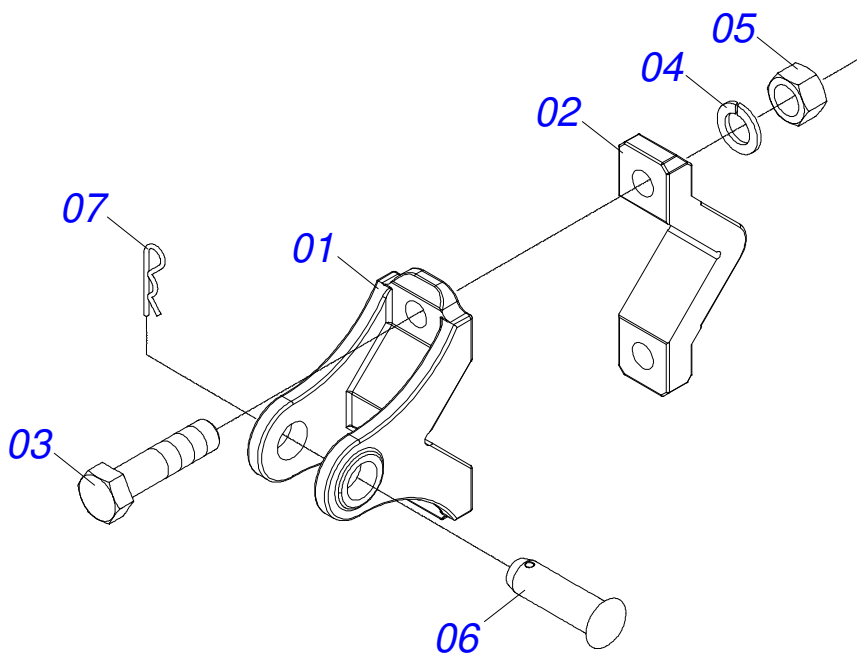
8 POINT SUBSOILER

0501044547

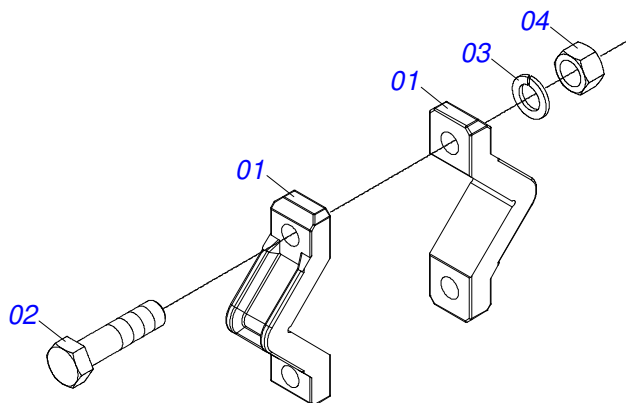


Item	Code	Description	See page	2L	3L	4L	5L	6L
00	0501044547	8 POINT SUBSOILER	7	02	03	04	05	06
01	0502010798	SOCKET SUBSOILER SUPPORT		02	03	04	05	06
02	0501010098	3/4" UNC BOLT		02	03	04	05	06
03	0501043477	FERTILIZER SUBSOILER WING SPINDLE		02	03	04	05	06
03A	0501011025	SUBSOILER SPINDLE		02	03	04	05	06
03B	0501065309	POINT SUBSOILER		02	03	04	05	06
03C	0501011028	1/2" X 2-1/4" BOLT		02	03	04	05	06
03D	0503010740	BOLT 1/2 UNC X 2 CS G.5 ZN		02	03	04	05	06
03E	0501010937	13.5 X 28 X 3 FLAT WASHER		02	03	04	05	06
03F	0503010019	1/2" SPRING WASHER		02	03	04	05	06
03G	0503010060	1/2" NUT		02	03	04	05	06
03H	0626091001	8" POINT SUBSOILER		02	03	04	05	06
03I	0501011190	5/8" X 3-3/4" BOLT		02	03	04	05	06
03J	0501011026	FIXER		02	03	04	05	06
03K	0503010027	5/8" SPRING WASHER		02	03	04	05	06
03L	0503010013	5/8" NUT		02	03	04	05	06
04	0502010175	HITCH CLAMP		02	03	04	05	06
05	0503010797	3/4" X 4" BOLT		02	03	04	05	06
06	0503010023	3/4" SPRING WASHER		02	03	04	05	06
07	0503010014	3/4" NUT		02	03	04	05	06
08	0501065200	SOCKET FASTENER SUPPORT		02	03	04	05	06
09	0503030432	FERTILIZER SOCKET		02	03	04	05	06
10	0503010237	3/8" X 1" BOLT		02	03	04	05	06
11	0503010025	3/8" SPRING WASHER		02	03	04	05	06
12	0503010026	3/8" NUT		02	03	04	05	06

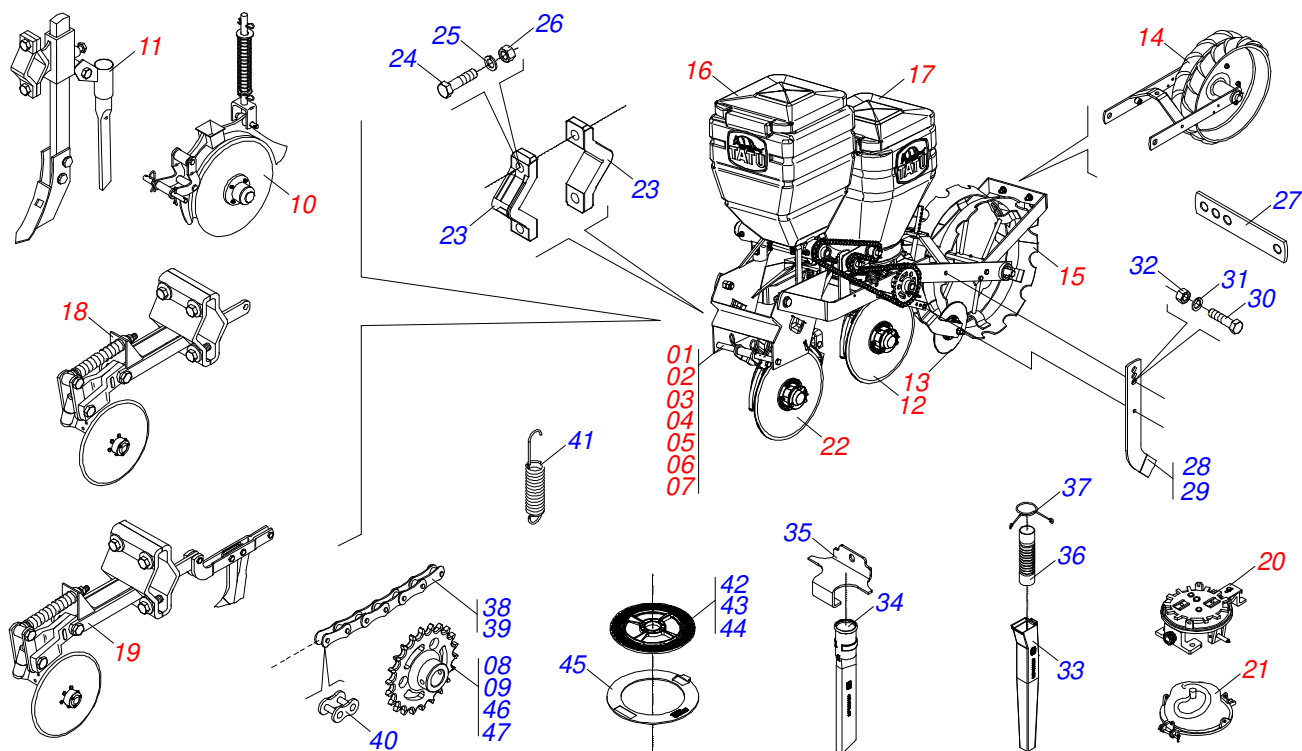
CLIP HITCH FRAME



Item	Code	Description	See page	QT
01	0502011204	FRAME HITCH		02
02	0502010175	HITCH CLAMP		02
03	0503010797	3/4" X 4" BOLT		04
04	0503010023	3/4" SPRING WASHER		04
05	0503010014	3/4" NUT		04
06	0521010595	1.1" X 4.3" COUPLING SHAFT		02
07	0503031035	HAIR PIN		02



Item	Code	Description	See page	QT
01	0502010175	HITCH CLAMP		01
02	0503010797	3/4" X 4" BOLT		02
03	0503010023	3/4" SPRING WASHER		02
04	0503010014	3/4" NUT		02



Item	Code	Description	See page	QT
01	0501043493	ROW DOUBLE DISC IRON T2SI	11	01
02	0501043497	ROW DOUBLE/DISC	12	01
03	0501043491	ROW DOUBLE/DISC	13	01
04	0501043495	ROW DOUBLE/DISC	14	01
05	0501043500	ROW DOUBLE	15	01
06	0501043498	ROW DOUBLE	16	01
07	0501043487	ROW DOUBLE/DISC	17	01
08	0502011355	26Z GEAR		01
09	0502011359	30Z GEAR		01
10	0909091001	FERTILIZER DOUBLE DISC ASSY	25	01
11	0909091015	ROD SUBSOILER CORN	28	01
12	0909090997	SEED DOUBLE DISC	24	01
13	0909091014	COVER DISC	29	01
14	0501040208	RODA COMPACT RUBBER	27	01
15	0501061425	IRON PRESS WHEEL		01
16	0909090999	FERTILIZER SYSTEM	21	01
17	0909090996	SEED ASSY	22	01
18	0501046940	SEMI-DIRECTO ROW ASSY ASSY	30	01
19	0909091005	SEMI-DIRECTO ROW ASSY D.BL SPLINDE	31	01
20	0501043145	SEED COTTON SYSTEM ASSY	32	01
21	0501041659	SEED PEANUT SYSTEM ASSY	33	01
22	0501043483	FERTILIZER DOUBLE DISC ASSY		01
23	0502010175	HITCH CLAMP		02
24	0503010797	3/4" X 4" BOLT		02
25	0503010023	3/4" SPRING WASHER		02
26	0503010014	3/4" NUT		02
27	0511010673	FIXER REGULATOR COVER SPINDLE		02
28	0521010763	SEED RIGHT HEDGER		01
29	0521010764	SEED LEFT HEDGER		01
30	0503810358	5/16" X 7/8" UNC BOLT		04
31	0503011444	SPRING WASHER		04



T2SI

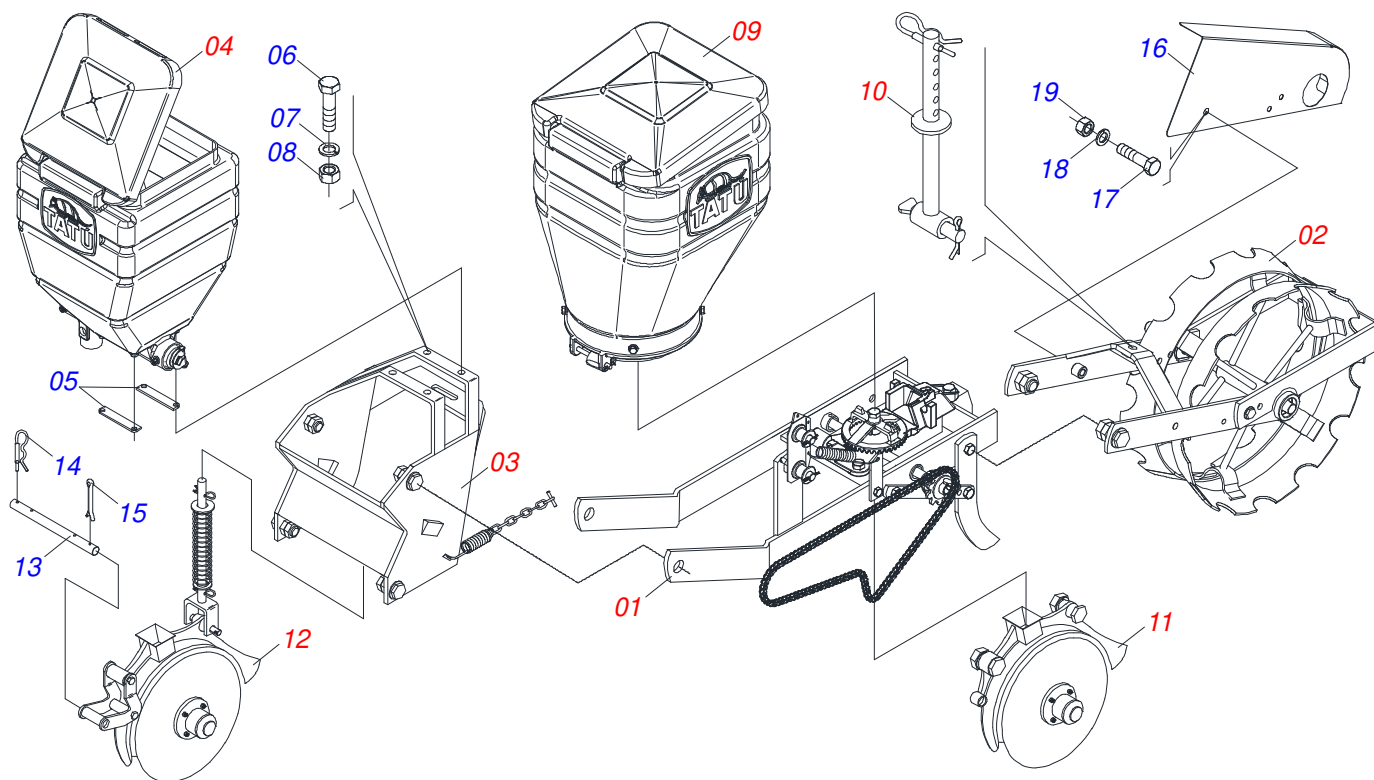
(UNTIL 03/2022)

Page 10

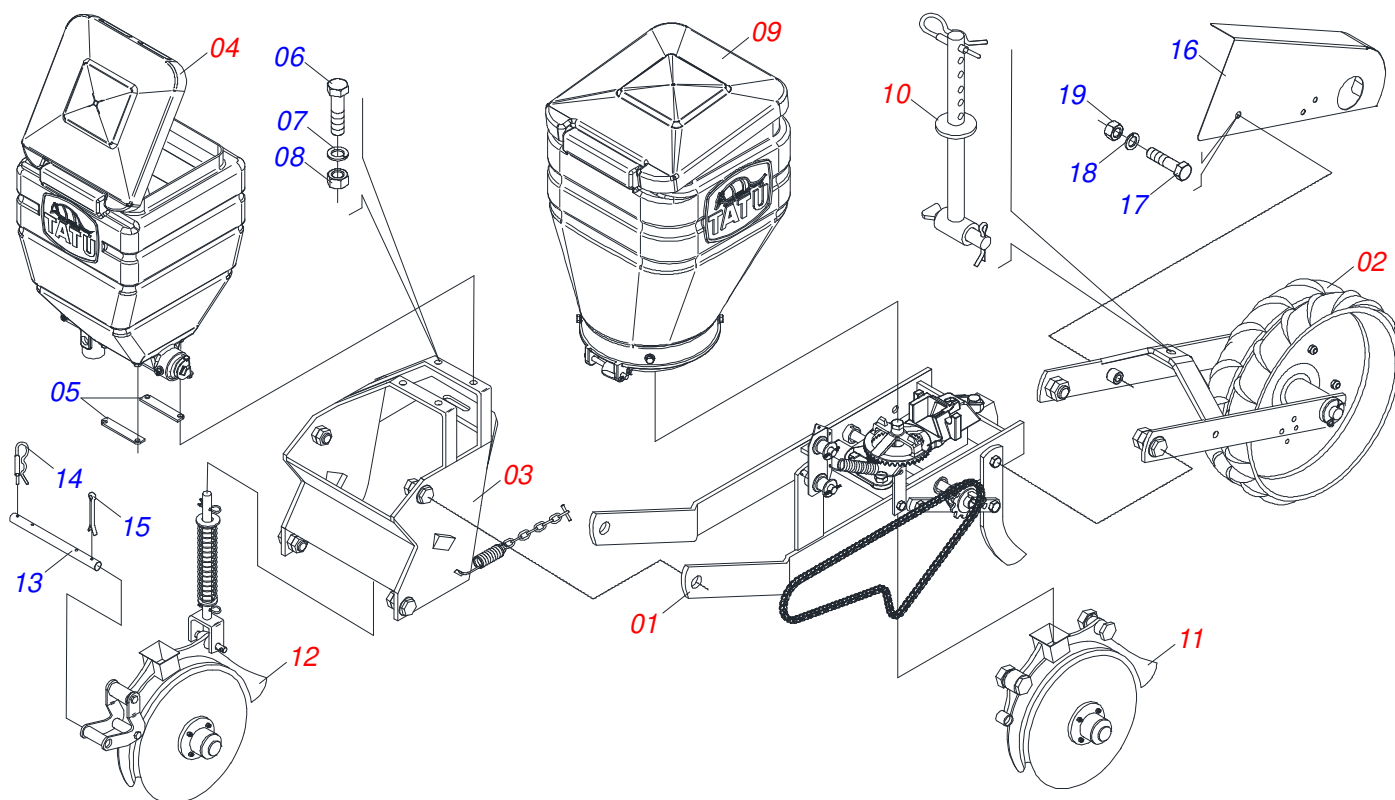
SEED/FERTILIZER ROW ASSY

0909091013

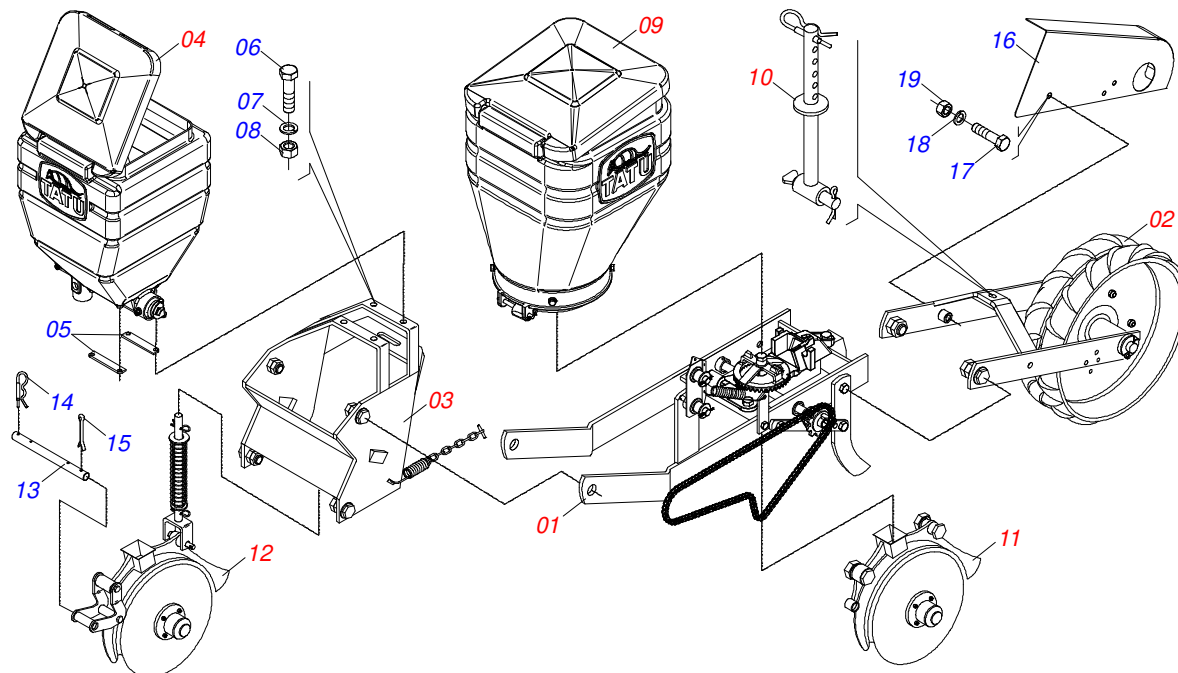
Item	Code	Description	See page	QT
32	0503810337	5/16 UNC NUT		04
33	0503030481	SEED SOCKET		01
34	0503030483	FERTILIZER SOCKET		01
35	0561011813	SOCKET LOCK		01
36	0503030645	2 X 2 X 225 HOSE		01
37	0503031076	2" HOSE CLAMP		02
38	0503011871	50-1 CHAIN X 99 LINK + REDUCTION		02
39	0503012792	50-1 CHAIN X 2 LINK		02
40	0503010543	AMENDMENT WITH LOCK		02
41	0503030242	0.8" X 4.7" X 0.08" TRACTION SPRING		02
42	0502020407	BEAN SEED DISC		01
43	0502020367	DISC WITHOUT HOLE		01
44	0503031678	DISC WITHOUT HOLE		01
45	0501013355	DISC SEAT		01
46	0502011346	18Z GEAR		01
47	0502011353	22Z GEAR		01



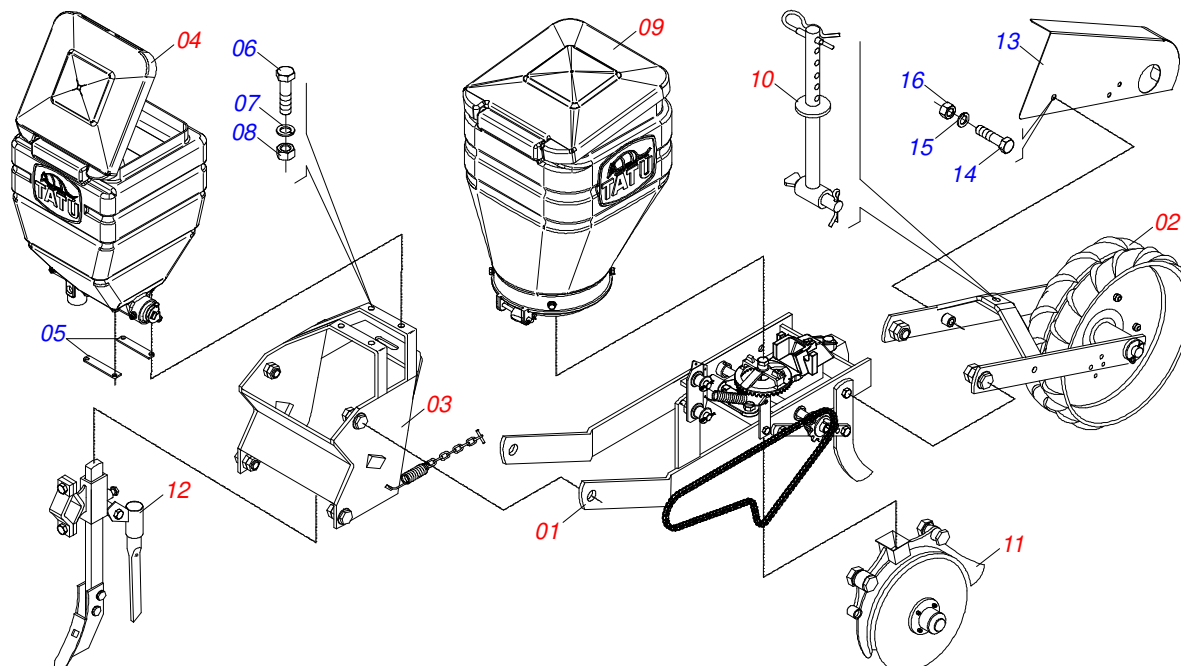
Item	Code	Description	See page	QT
01	0909094992	SEMI-ASSEMBLED FRAME	18	01
02	0909094993	SUPPORT WITH IRON WHEEL	19	01
03	0909094994	DRAWBAR	20	01
04	0909090999	FERTILIZER SYSTEM	21	01
05	0511017073	12,01 X 2" X 0,25" PLATE		01
06	0503010751	C3/8" X 1.1/4" HEX BOLT G.5		04
07	0503010025	3/8" SPRING WASHER		04
08	0503010026	3/8" NUT		04
09	0909090996	SEED ASSY	22	01
10	0909094995	ADJUSTMENT BAR	23	01
11	0909090997	SEED DOUBLE DISC	24	01
12	0909091001	FERTILIZER DOUBLE DISC ASSY	25	01
13	0511010672	0.77" X 11.02" AXLE		01
14	0503030012	HAIR PIN		02
15	0503010274	5/32"X 2" COTTERPIN		02
16	0511016447	CHAIN COVER		01
17	0503010237	3/8" X 1" BOLT		04
18	0503011443	3/8" SPRING WASHER		04
19	0503010026	3/8" NUT		04



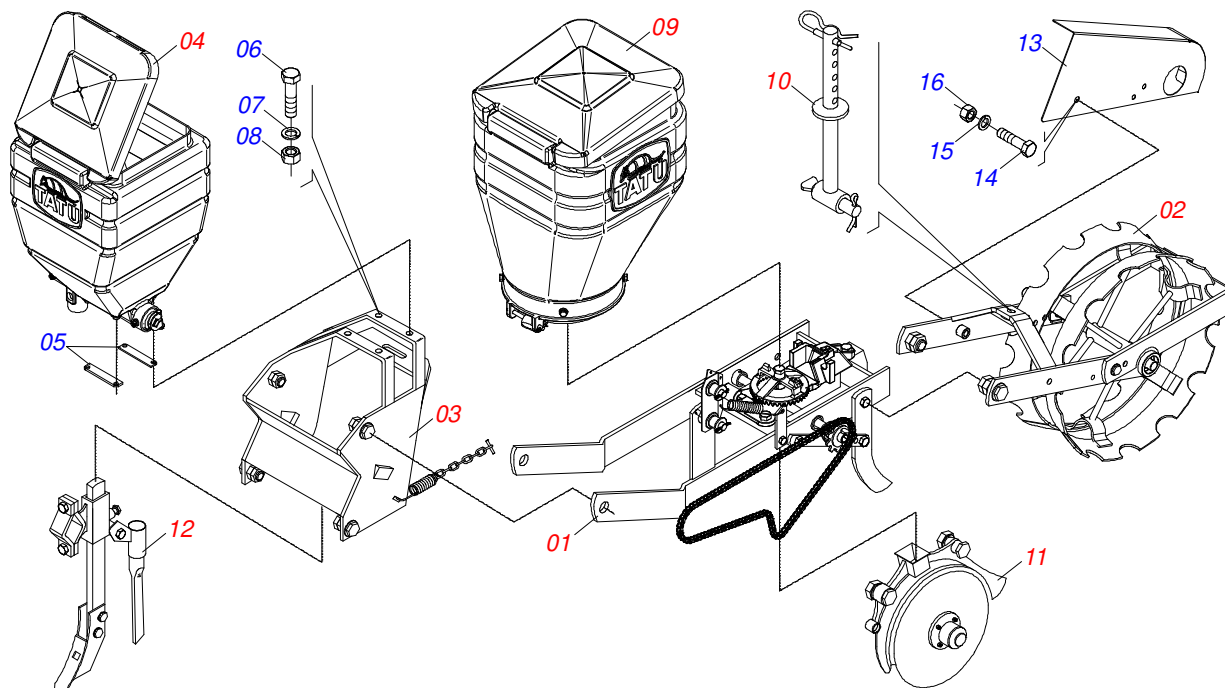
Item	Code	Description	See page	QT
01	0909094992	SEMI-ASSEMBLED FRAME	18	01
02	0909095002	SUPPORT WITH RUBBER WHEEL	26	01
03	0909094994	DRAWBAR	20	01
04	0909090990	FERTILIZER SEED ROW ASSY		01
05	0511017073	12,01 X 2" X 0,25" PLATE		01
06	0503010751	C3/8" X 1.1/4" HEX BOLT G.5		04
07	0503010025	3/8" SPRING WASHER		04
08	0503010026	3/8" NUT		04
09	0909090996	SEED ASSY	22	01
10	0909094995	ADJUSTMENT BAR	23	01
11	0909090997	SEED DOUBLE DISC	24	01
12	0909091001	FERTILIZER DOUBLE DISC ASSY	25	01
13	0511010672	0.77" X 11.02" AXLE		01
14	0503030012	HAIR PIN		02
15	0503010274	5/32"X 2" COTTERPIN		02
16	0511016447	CHAIN COVER		01
17	0503010237	3/8" X 1" BOLT		04
18	0503011443	3/8" SPRING WASHER		04
19	0503010026	3/8" NUT		04



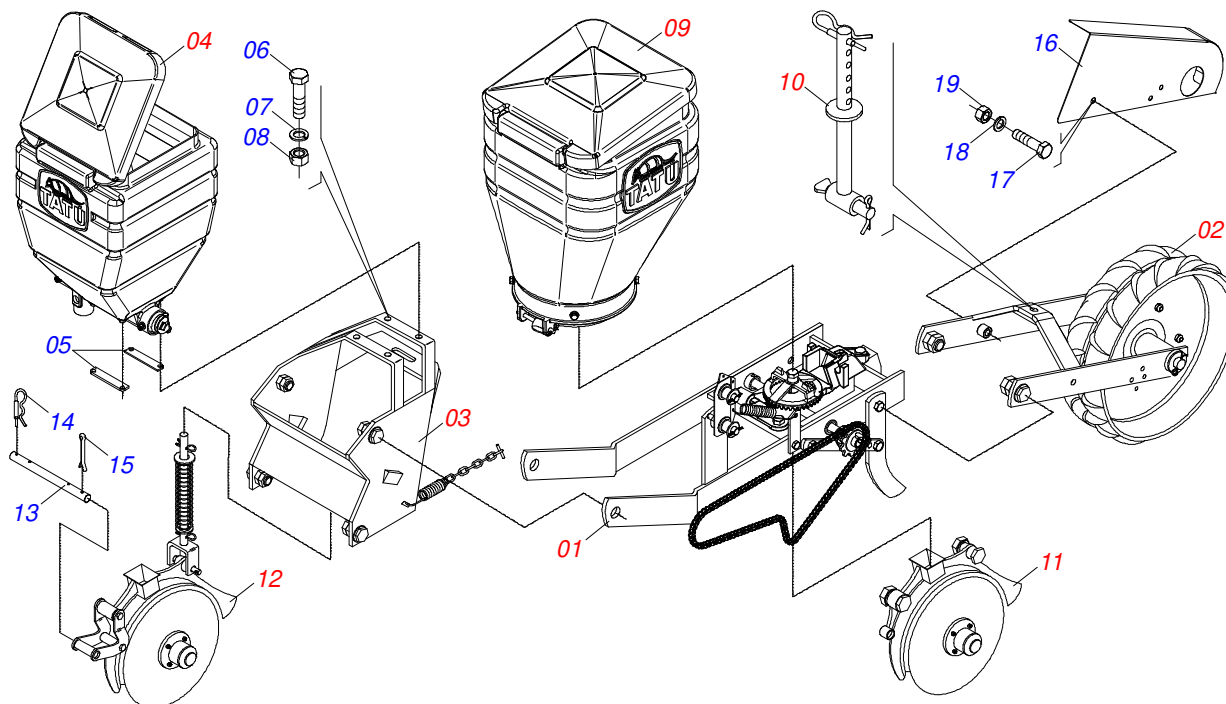
Item	Code	Description	See page	QT
01	0909094992	SEMI-ASSEMBLED FRAME	18	01
02	0909095002	SUPPORT WITH RUBBER WHEEL	26	01
03	0909094994	DRAWBAR	20	01
04	0909090990	FERTILIZER SEED ROW ASSY		01
05	0511017073	12,01 X 2" X 0,25" PLATE		01
06	0503010751	C3/8" X 1.1/4" HEX BOLT G.5		04
07	0503010025	3/8" SPRING WASHER		04
08	0503010026	3/8" NUT		04
09	0909090996	SEED ASSY	22	01
10	0909094995	ADJUSTMENT BAR	23	01
11	0909090997	SEED DOUBLE DISC	24	01
12	0909091001	FERTILIZER DOUBLE DISC ASSY	25	01
13	0511010672	0.77" X 11.02" AXLE		01
14	0503030012	HAIR PIN		02
15	0503010274	5/32"X 2" COTTERPIN		02
16	0511016447	CHAIN COVER		01
17	0503010237	3/8" X 1" BOLT		04
18	0503011443	3/8" SPRING WASHER		04
19	0503010026	3/8" NUT		04



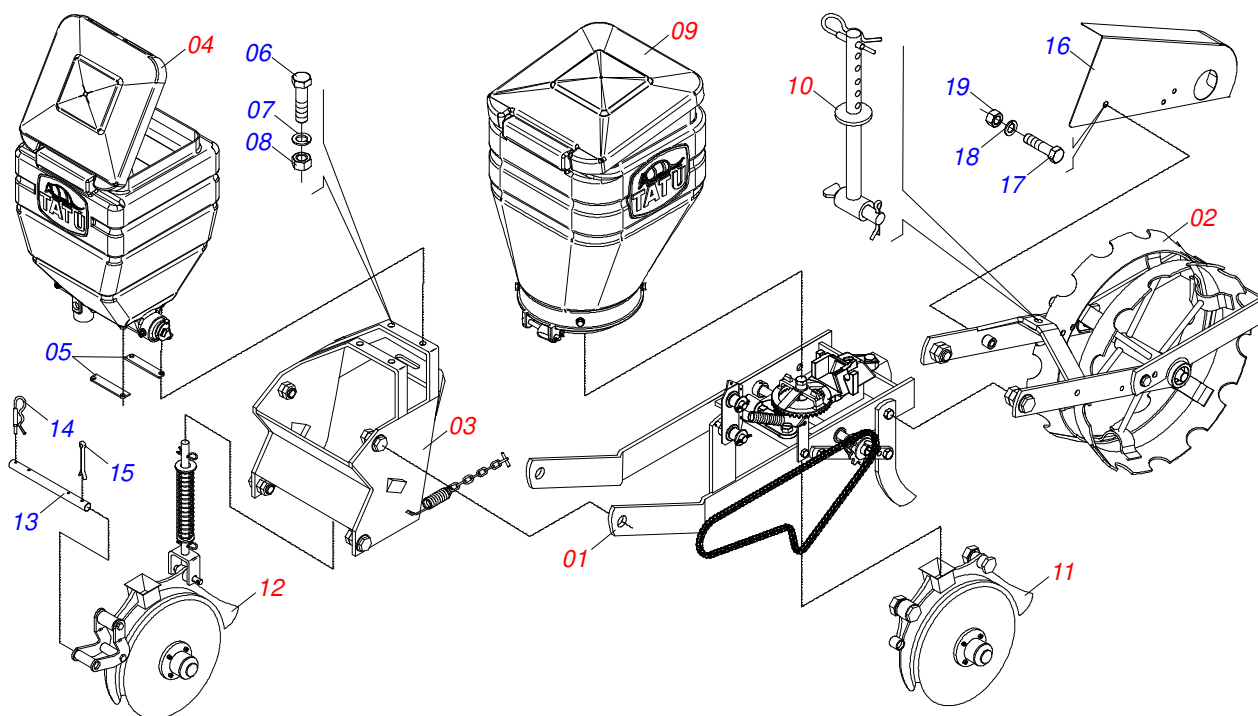
Item	Code	Description	See page	QT
01	0909094992	SEMI-ASSEMBLED FRAME	18	01
02	0909095002	SUPPORT WITH RUBBER WHEEL	26	01
03	0909094994	DRAWBAR	20	01
04	0909090990	FERTILIZER SEED ROW ASSY		01
05	0511017073	12,01 X 2" X 0,25" PLATE		01
06	0503010751	C3/8" X 1.1/4" HEX BOLT G.5		04
07	0503010025	3/8" SPRING WASHER		04
08	0503010026	3/8" NUT		04
09	0909090996	SEED ASSY	22	01
10	0909094995	ADJUSTMENT BAR	23	01
11	0909090997	SEED DOUBLE DISC	24	01
12	0909091015	ROD SUBSOILER CORN	28	01
13	0511016447	CHAIN COVER		01
14	0503010237	3/8" X 1" BOLT		04
15	0503011443	3/8" SPRING WASHER		04
16	0503010026	3/8" NUT		04



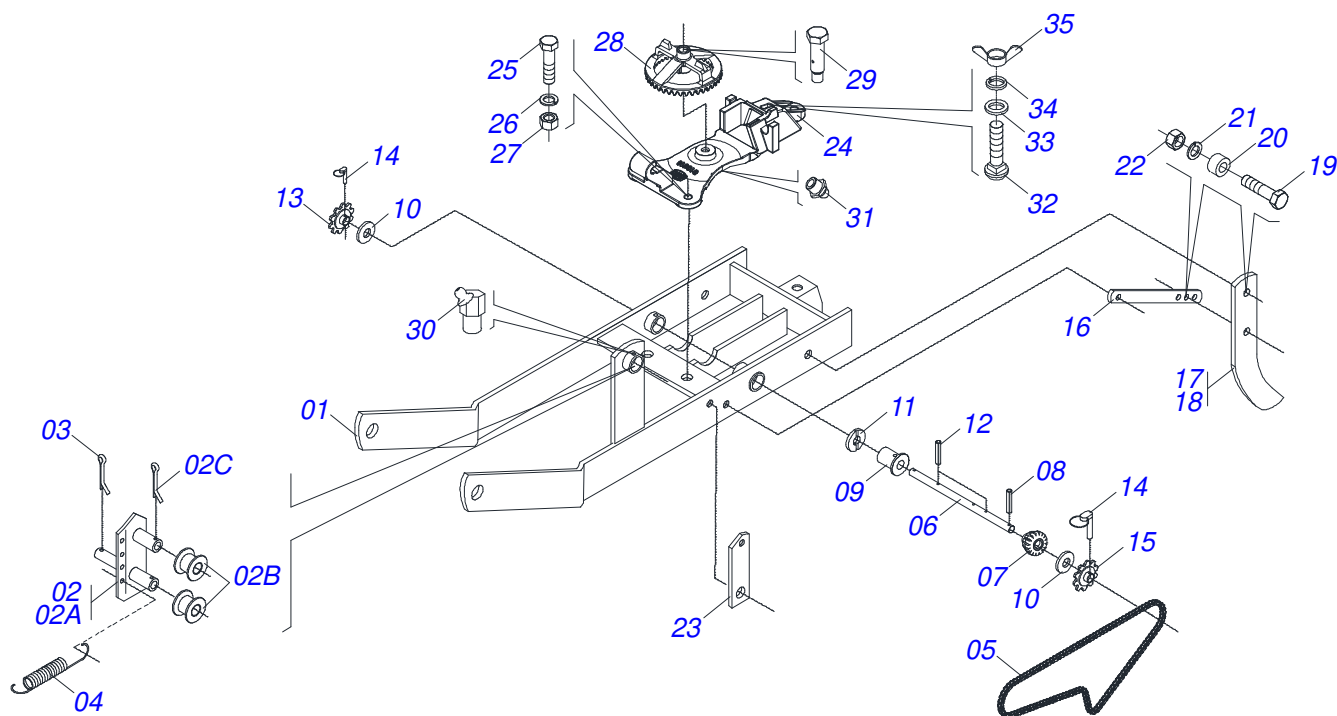
Item	Code	Description	See page	QT
01	0909094992	SEMI-ASSEMBLED FRAME	18	01
02	0909094993	SUPPORT WITH IRON WHEEL	19	01
03	0909094994	DRAWBAR	20	01
04	0909090999	FERTILIZER SYSTEM	21	01
05	0511017073	12,01 X 2" X 0,25" PLATE		01
06	0503010751	C3/8" X 1.1/4" HEX BOLT G.5		04
07	0503010025	3/8" SPRING WASHER		04
08	0503010026	3/8" NUT		04
09	0909090996	SEED ASSY	22	01
10	0909094995	ADJUSTMENT BAR	23	01
11	0909090997	SEED DOUBLE DISC	24	01
12	0909091015	ROD SUBSOILER CORN	28	01
13	0511016447	CHAIN COVER		01
14	0503010237	3/8" X 1" BOLT		04
15	0503011443	3/8" SPRING WASHER		04
16	0503010026	3/8" NUT		04



Item	Code	Description	See page	QT
01	0909094992	SEMI-ASSEMBLED FRAME	18	01
02	0909095002	SUPPORT WITH RUBBER WHEEL	26	01
03	0909094994	DRAWBAR	20	01
04	0909090999	FERTILIZER SYSTEM	21	01
05	0511017073	12,01 X 2" X 0,25" PLATE		01
06	0503010751	C3/8" X 1.1/4" HEX BOLT G.5		04
07	0503010025	3/8" SPRING WASHER		04
08	0503010026	3/8" NUT		04
09	0909090996	SEED ASSY	22	01
10	0909094995	ADJUSTMENT BAR	23	01
11	0909090997	SEED DOUBLE DISC	24	01
12	0909091001	FERTILIZER DOUBLE DISC ASSY	25	01
13	0511010672	0.77" X 11.02" AXLE		01
14	0503030012	HAIR PIN		02
15	0503010274	5/32"X 2" COTTERPIN		02
16	0511016447	CHAIN COVER		01
17	0503010237	3/8" X 1" BOLT		04
18	0503011443	3/8" SPRING WASHER		04
19	0503010026	3/8" NUT		04



Item	Code	Description	See page	QT
01	0909094992	SEMI-ASSEMBLED FRAME	18	01
02	0909094993	SUPPORT WITH IRON WHEEL	19	01
03	0909094994	DRAWBAR	20	01
04	0909090999	FERTILIZER SYSTEM	21	01
05	0511017073	12,01 X 2" X 0,25" PLATE		01
06	0503010751	C3/8" X 1.1/4" HEX BOLT G.5		04
07	0503010025	3/8" SPRING WASHER		04
08	0503010026	3/8" NUT		04
09	0909090996	SEED ASSY	22	01
10	0909094995	ADJUSTMENT BAR	23	01
11	0909090997	SEED DOUBLE DISC	24	01
12	0909091001	FERTILIZER DOUBLE DISC ASSY	25	01
13	0511010672	0.77" X 11.02" AXLE		01
14	0503030012	HAIR PIN		02
15	0503010274	5/32"X 2" COTTERPIN		02
16	0511016447	CHAIN COVER		01
17	0503010237	3/8" X 1" BOLT		04
18	0503011443	3/8" SPRING WASHER		04
19	0503010026	3/8" NUT		04



Item	Code	Description	See page	QT
01	0501065321	SEMI-FRAME		01
02	0501047263	CHAIN TENSIONER ASSY		02
02A	0501065301	CHAIN TENSIONER		01
02B	0503030402	PULLEY		02
02C	0503010297	5/32" X 1.1/4" COTTER PIN		02
03	0503010018	5/32 X 1-1/2 COTTERPIN		02
04	0503030099	1.3" X 4.9" 0.2" TRACTION SPRING		02
05	0501064886	5/16" CHAIN X 8 LINK		02
06	0501016220	SEED SISTEM AXLE		01
07	0502010528	16Z CONICAL GEAR		01
08	0503010292	0.2" X 1.6" SPRING PIN		03
09	0502020178	AXLE SEED GUIDE BUSHING		02
10	0501011168	WASHER SPACER		02
11	0502010403	LOCKWASHER		02
12	0503010756	0.2" X 2.4" SPRING PIN		02
13	0502011346	18Z GEAR		01
14	0503030119	LOCK PIN		02
15	0502011353	22Z GEAR		01
16	0511010673	FIXER REGULATOR COVER SPINDLE		02
17	0511010664	RH COVER SPINDLE		01
18	0511010665	LH COVER SPINDLE		01
19	0511017958	5/8" X 1.9" RIGHT BOLT		04
20	0511014513	1" X 0.6" X 0.4" ARTICULAT SLEEVE		04
21	0503010027	5/8" SPRING WASHER		04
22	0503010013	5/8" NUT		04
23	0511010768	TENSIONER SPRING		01
24	0502011211	SEED BOX FIXING BASE		01
25	0503010751	C3/8" X 1.1/4" HEX BOLT G.5		03
26	0503011443	3/8" SPRING WASHER		03
27	0503010026	3/8" NUT		03
28	0502011419	40Z CONICAL GEAR		01



T2SI

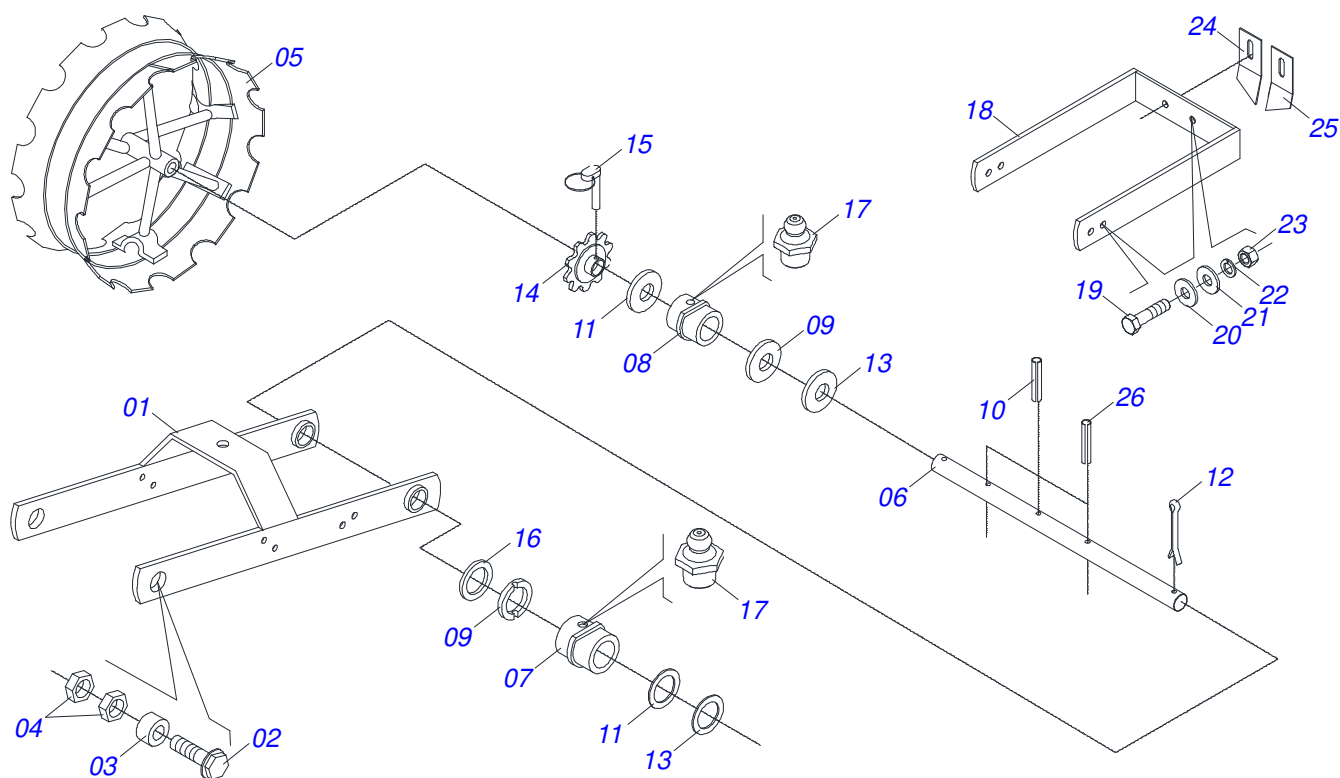
(UNTIL 03/2022)

Page 18

SEMI-ASSEMBLED FRAME

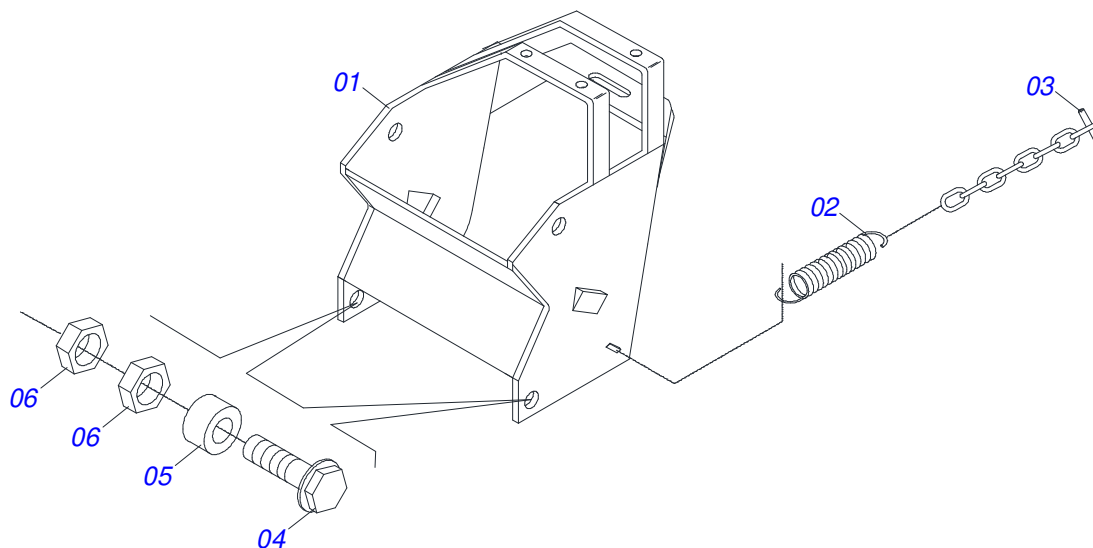
0909094992

Item	Code	Description	See page	QT
29	0511018700	AXLE		01
30	0503010003	1845 GREASE FITTING		02
31	0503010691	1/4" GREASE FITTING		01
32	0501011752	5/16" X 3" BOLT		01
33	0501010694	FLAT WASHER		01
34	0503010179	LOCK WASHER		01
35	0503010499	5/16" UNC BUTTERFLY NUT		01

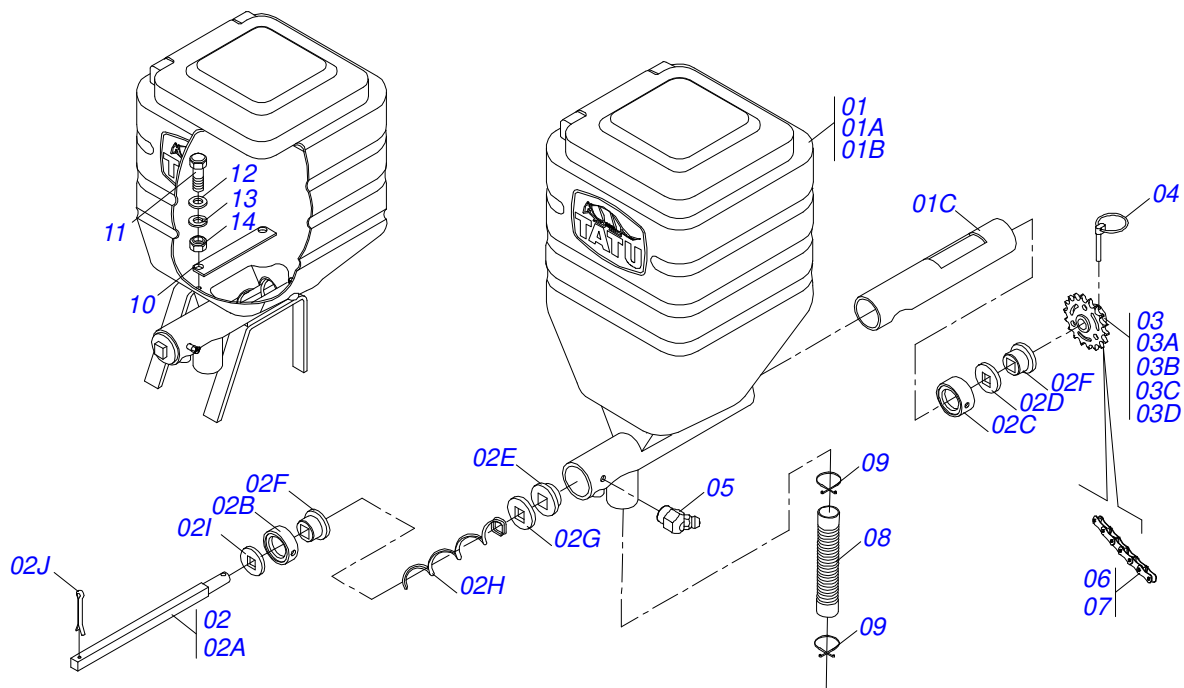


Item	Code	Description	See page	QT
01	0501065300	PRESS WHEEL SUPPORT		01
02	0511017958	5/8" X 1.9" RIGHT BOLT		02
03	0511014513	1" X 0.6" X 0.4" ARTICULAT SLEEVE		02
04	0503010013	5/8" NUT		02
05	0501061425	IRON PRESS WHEEL		01
06	0501010871	PRESS WHEEL AXLE		01
07	0502020257	LH PRESS WHEEL BUSHING GUIDE AXLE		01
08	0502020258	RH PRESS WHEEL BUSHING GUIDE AXLE		01
09	0502010478	LOCKWASHER		02
10	0503010301	0.3" X 1.8" SPRING PIN		01
11	0501011467	FLAT WASHER		02
12	0503010571	1/4" X 1.1/2 COTTERPIN		01
13	0501011168	WASHER SPACER		02
14	0502011353	22Z GEAR		02
15	0503030119	LOCK PIN		02
16	0501011170	WASHER SPACER		02
17	0503010002	1800 GREASE FITTING		02
18	0501063310	SCRAPER FIXER SUPPORT		01
19	0503011087	3/8" X 1" BOLT		03
20	0501010984	FLAT WASHER		03
21	0501010984	FLAT WASHER		03
22	0503011443	3/8" SPRING WASHER		03
23	0503010026	3/8" NUT		03
24	0501011033	RH PRESS WHEELS SCRAPER		01
25	0501011034	RH PRESS WHEELS SCRAPER		01
26	0503010292	0.2" X 1.6" SPRING PIN		01

DRAWBAR



Item	Code	Description	See page	QT
01	0501065299	SEMI-FRAME DRAWBAR		01
02	0503030099	1.3" X 4.9" 0.2" TRACTION SPRING		02
03	0501064886	5/16" CHAIN X 8 LINK		02
04	0511017958	5/8" X 1.9" RIGHT BOLT		04
05	0511014513	1" X 0.6" X 0.4" ARTICULAT SLEEVE		04
06	0503010013	5/8" NUT		08



Item	Code	Description	See page	QT
00	0501051765	BOX FERTILIZER		01
01	0503031260	DEPOSIT FERTILIZER WITH TUBE PVC		
01A	0501110281	DEPOSIT FERTILIZER WITH TUBE PVC		01
01B	0503031264	SEED/FERTILIZER BOX COVER		01
01C	0521010945	FERTILIZER DISTRIBUTOR TUBE		01
02	0501053058	DISTRIBUTOR FERTILIZER AXLE ASSY		01
02A	0511010388	DISTRIBUTOR FERTILIZER AXLE		01
02B	0521010946	DISTRIBUTOR FERTILIZER LARGER SLEEVE		01
02C	0521010947	BUJE SMALLER DISTRIBUTOR ABONO		01
02D	0501010637	FLAT WASHER		01
02E	0503030303	SUPPORT WASHER		01
02F	0503030275	AGRICULTURAL BEARING		02
02G	0501013774	GREASE SEAL		01
02H	0503031164	RIGHT HELICOID CONDUCTOR		01
02I	0511017137	FLAT WASHER		01
02J	0503010571	1/4" X 1.1/2 COTTERPIN		01
03	0502011335	14Z GEAR		01
03A	0502011342	16Z GEAR		01
03B	0502011346	18Z GEAR		01
03C	0502011353	22Z GEAR		01
03D	0502011359	30Z GEAR		01
04	0503030085	LOCK PIN		01
05	0503012102	CREASE FITTING		02
06	0503010304	50-1 X 85 CHAIN LINK + MENDING		01
07	0503010912	50-1 X 97 CHAIN LINK + MENDING		01
08	0503030645	2 X 2 X 225 HOSE		01
09	0503031076	2" HOSE CLAMP		02
10	0511017073	12,01 X 2" X 0,25" PLATE		02
11	0503010358	5/16" X 5/8" BOLT		04
12	0501010694	FLAT WASHER		04
13	0503010179	LOCK WASHER		04



T2SI

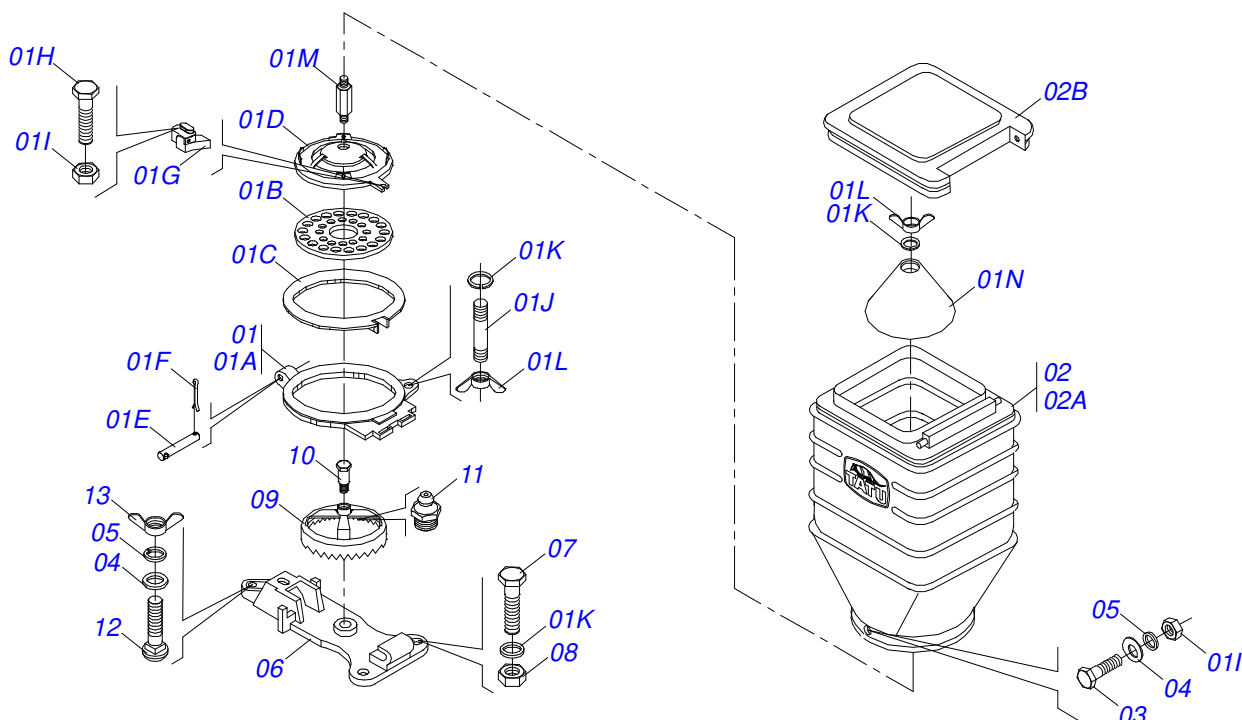
(UNTIL 03/2022)

Page 21

FERTILIZER SYSTEM

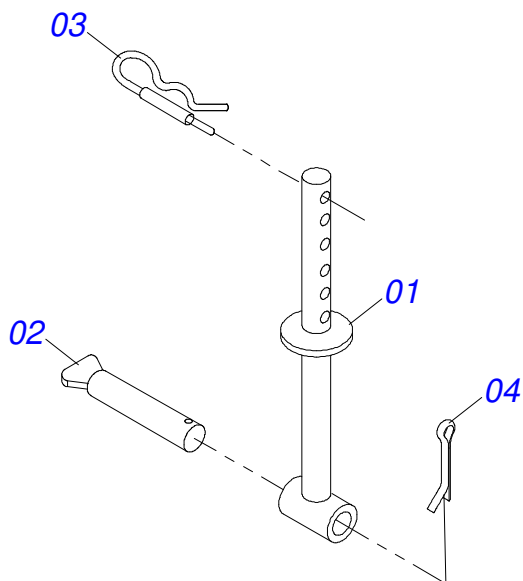
0909090999

Item	Code	Description	See page	QT
14	0503010337	5/16" NUT		04

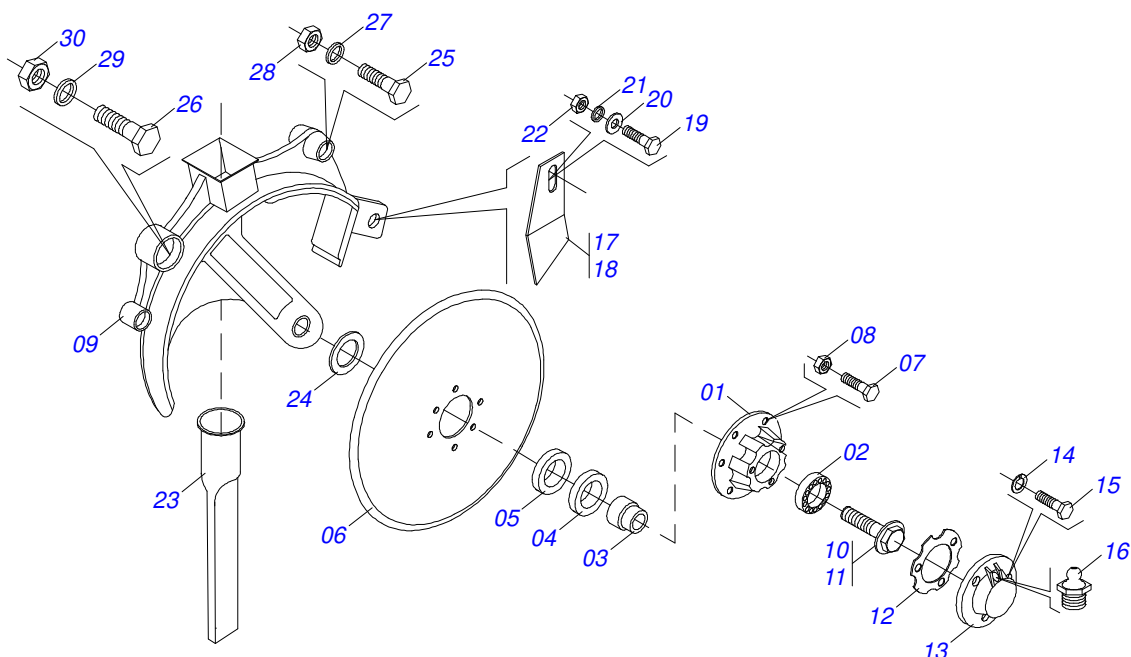


Item	Code	Description	See page	QT
00	0501050621	SEED SYSTEM ASSY		
01	0501050852	SEED SYSTEM WITHOUT BOX		01
01A	0502010408	SEED DISC LOWER TRAIL		01
01B	0503032127	CORN DISC 28 HOLE		01
01C	0501013356	DISC SEAT		01
01D	0502020324	SEED BOX SUPPORT		01
01E	0521010536	0.3" X 3.8" COUPLING SHAFT		01
01F	0503010140	1/8" X 3/4" COTTERPIN		01
01G	0501050077	SEED DISTRIB ASSY W/ SIMPLE PULLEY		01
01H	0503010675	5/16" X 2.1/4" BOLT		01
01I	0503010337	5/16" NUT		05
01J	0503030083	3/8" X 3/8" X 1.6" STUD		01
01K	0503010025	3/8" SPRING WASHER		06
01L	0503010209	3/8" UNC BUTTERFLY NUT		02
01M	0571018536	HEX PRISONER		01
01N	0503034131	DEFLECTOR		01
02	0503031667	BOX YELLOW SEED WITH GREEN COVER		01
02A	0503031815	YELLOW SEED BOX		01
02B	0503031816	GREEN SEED BOX COVER		01
03	0503010240	BOLT		04
04	0501010694	FLAT WASHER		04
05	0503010179	LOCK WASHER		04
06	0502011211	SEED BOX FIXING BASE		01
07	0503011087	3/8" X 1" BOLT		03
08	0503010026	3/8" NUT		03
09	0502010687	40Z CONICAL GEAR		01
10	0511018698	GEAR AXLE		01
11	0503010002	1800 GREASE FITTING		01
12	0501011752	5/16" X 3" BOLT		01
13	0503010499	5/16" UNC BUTTERFLY NUT		01

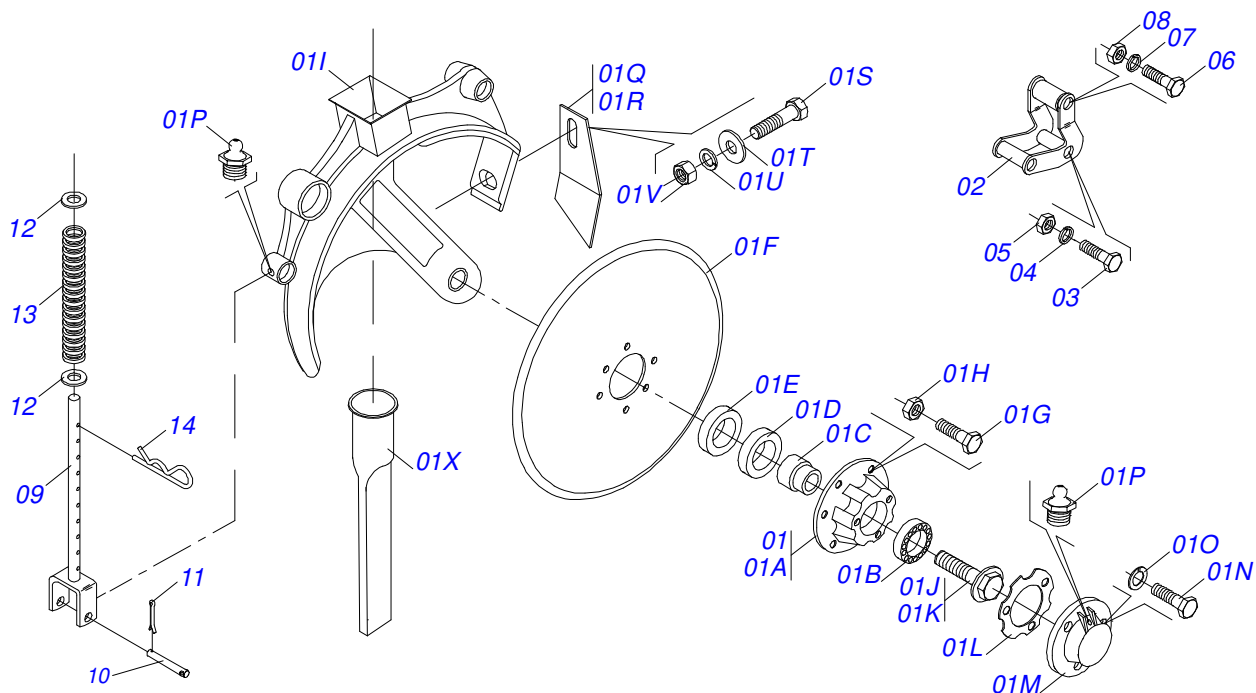
ADJUSTMENT BAR



Item	Code	Description	See page	QT
01	0501065302	ADJUSTMENT BAR		01
02	0501010525	7/16" X 3.23" PIN		01
03	0501050031	SUPPORT LOCK		01
04	0503010300	5/32" X 1" COTTERPIN		01



Item	Code	Description	See page	QT
00	0501052390	13" X 13" DOUBLE DISC ASSY		
01	0502011273	DOUBLE DISC HUB		02
02	0503010276	6206 BALL BEARING		02
03	0501011832	HUB DOUBLE DISC PASSANG AXLE		02
04	0503010526	3011 SEAL RING		02
05	0503010525	00797-BA SEAL		02
06	0603020019	D272 PLAIN COULTER BLADE		02
07	0503010546	5/16" X 7/8" BOLT		12
08	0503010337	5/16" NUT		12
09	0502011176	SEED DOUB-DISC SUPPORT		01
10	0511017958	5/8" X 1.9" RIGHT BOLT		01
11	0511017959	5/8" X 1.9" LEFT BOLT		01
12	0503030142	3.27" X 2.44" X 0.02" JOINT		02
13	0502020599	COVER		02
14	0503010143	1/4" SPRING WASHER		06
15	0503014891	1/4" X 3/4" BOLT		06
16	0503010002	1800 GREASE FITTING		02
17	0501017541	RIGHT DOUBLE DISC SCRAPER		01
18	0501017542	LH DOUBLE DISC SCRAPER		01
19	0503010849	3/8" X 1-1/2" BOLT		01
20	0501010984	FLAT WASHER		02
21	0503010025	3/8" SPRING WASHER		01
22	0503010026	3/8" NUT		01
23	0503030481	SEED SOCKET		01
24	0511015098	FLAT WASHER		02
25	0503010850	BOLT 7/16 UNC X 3 CS G.5 ZN		01
26	0501010163	5/8" X 4-1/2" BOLT		01
27	0503011446	SPRING WASHER		01
28	0503010244	7/16" NUT		01
29	0503011445	SPRING WASHER		01
30	0503010013	5/8" NUT		01



Item	Code	Description	See page	QT
00	0501051183	FERT DOUB-DISC ASSY		
01	0501050300	FERTILIZER DOUBLE DISC ASSY		01
01A	0502011273	DOUBLE DISC HUB		02
01B	0503010276	6206 BALL BEARING		02
01C	0501011832	HUB DOUBLE DISC PASSANG AXLE		02
01D	0503010526	3011 SEAL RING		02
01E	0503010525	00797-BA SEAL		02
01F	0603020019	D272 PLAIN COULTER BLADE		02
01G	0503010546	5/16" X 7/8" BOLT		12
01H	0503010337	5/16" NUT		12
01I	0502010674	FERTILIZER DOUBLE DISC SUPPORT		01
01J	0511017958	5/8" X 1.9" RIGHT BOLT		01
01K	0511017959	5/8" X 1.9" LEFT BOLT		01
01L	0503030142	3.27" X 2.44" X 0.02" JOINT		02
01M	0502020599	COVER		02
01N	0503010282	1/4" X 3/4" BOLT		06
01O	0503010143	1/4" SPRING WASHER		06
01P	0503010002	1800 GREASE FITTING		02
01Q	0501017541	RIGHT DOUBLE DISC SCRAPER		01
01R	0501017542	LH DOUBLE DISC SCRAPER		01
01S	0503010751	C3/8" X 1.1/4" HEX BOLT G.5		01
01T	0501010984	FLAT WASHER		02
01U	0503010025	3/8" SPRING WASHER		01
01V	0503010026	3/8" NUT		01
01X	0503030483	FERTILIZER SOCKET		01
02	0501063321	SUPPORT ADJUSTING DOUBLE DISC		01
03	0501010163	5/8" X 4-1/2" BOLT		01
04	0503010027	5/8" SPRING WASHER		01
05	0503010013	5/8" NUT		01
06	0503010479	BOLT		01
07	0503010019	1/2" SPRING WASHER		01



T2SI

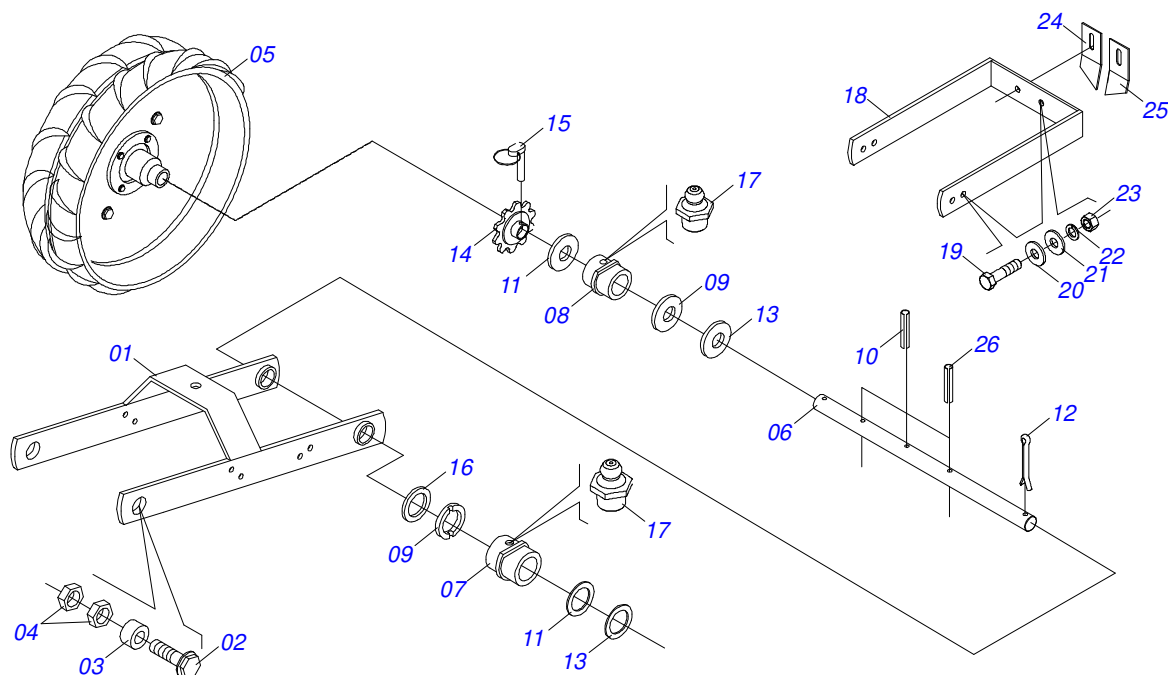
(UNTIL 03/2022)

Page 25

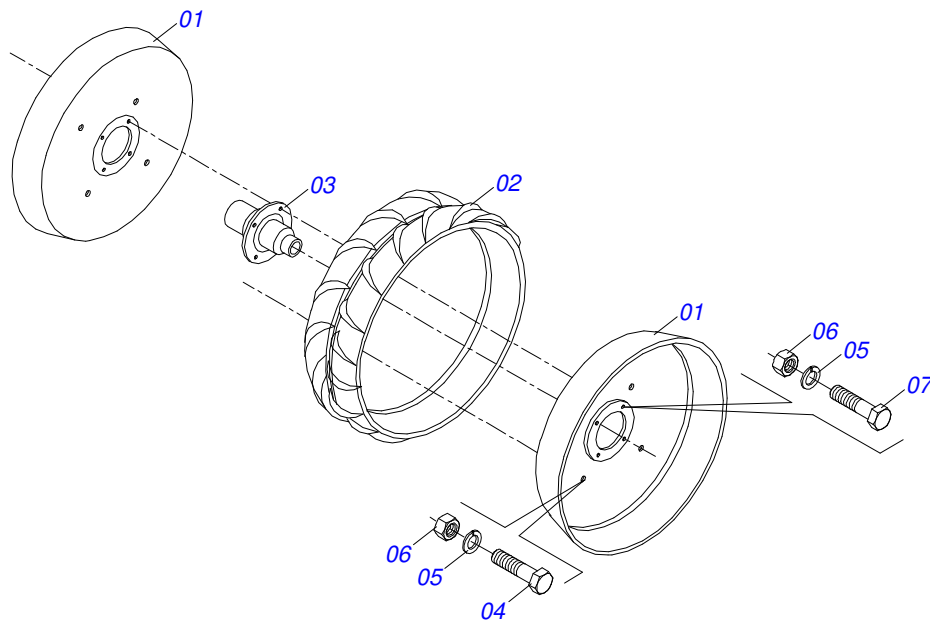
FERTILIZER DOUBLE DISC ASSY

0909091001

Item	Code	Description	See page	QT
08	0503010060	1/2" NUT		01
09	0501063359	DEPTH REGULATOR		01
10	0521010553	0.5" X 3" COUPLING SHAFT		01
11	0503010257	1/8" X 1" COTTERPIN		01
12	0501010453	FLAT WASHER		02
13	0503030399	1"X5.1"X 0.2" COMPRESSION SPRING		01
14	0503030012	HAIR PIN		02

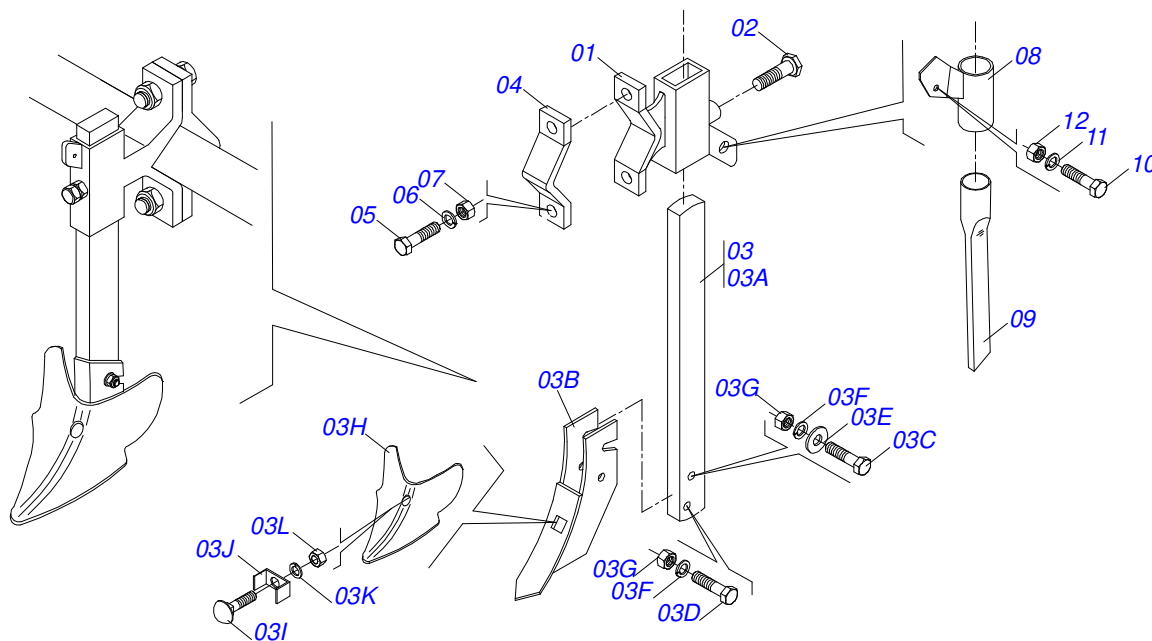


Item	Code	Description	See page	QT
01	0501065300	PRESS WHEEL SUPPORT		01
02	0511017958	5/8" X 1.9" RIGHT BOLT		02
03	0511014513	1" X 0.6" X 0.4" ARTICULAT SLEEVE		02
04	0503010013	5/8" NUT		02
05	0501040208	RODA COMPACT RUBBER	27	01
06	0501010871	PRESS WHEEL AXLE		01
07	0502020257	LH PRESS WHEEL BUSHING GUIDE AXLE		01
08	0502020258	RH PRESS WHEEL BUSHING GUIDE AXLE		01
09	0502010478	LOCKWASHER		02
10	0503010301	0.3" X 1.8" SPRING PIN		01
11	0501011467	FLAT WASHER		02
12	0503010571	1/4" X 1.1/2 COTTERPIN		01
13	0501011168	WASHER SPACER		02
14	0502011353	22Z GEAR		02
15	0503030119	LOCK PIN		02
16	0501011170	WASHER SPACER		02
17	0503010002	1800 GREASE FITTING		02
18	0501063310	SCRAPER FIXER SUPPORT		01
19	0503011087	3/8" X 1" BOLT		03
20	0501010984	FLAT WASHER		03
21	0501010984	FLAT WASHER		03
22	0503011443	3/8" SPRING WASHER		03
23	0503010026	3/8" NUT		03
24	0501011033	RH PRESS WHEELS SCRAPER		01
25	0501011034	RH PRESS WHEELS SCRAPER		01
26	0503010292	0.2" X 1.6" SPRING PIN		01



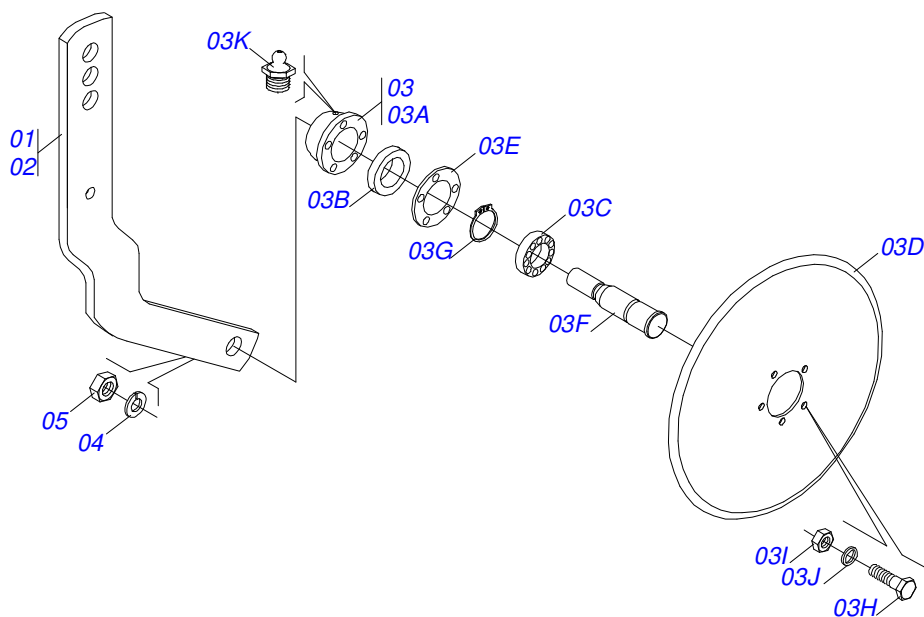
Item	Code	Description	See page	QT
01	0501016692	RIM SEMI BODY		02
02	0503010353	DEPTH CONTROL WHEEL RUBBER BAND		01
03	0502020427	HUB		01
04	0501010324	3/8" X 1-1/4" BOLT		04
05	0503010025	3/8" SPRING WASHER		08
06	0503010026	3/8" NUT		08
07	0501010940	3/8" X 3/4" BOLT		04

ROD SUBSOILER CORN

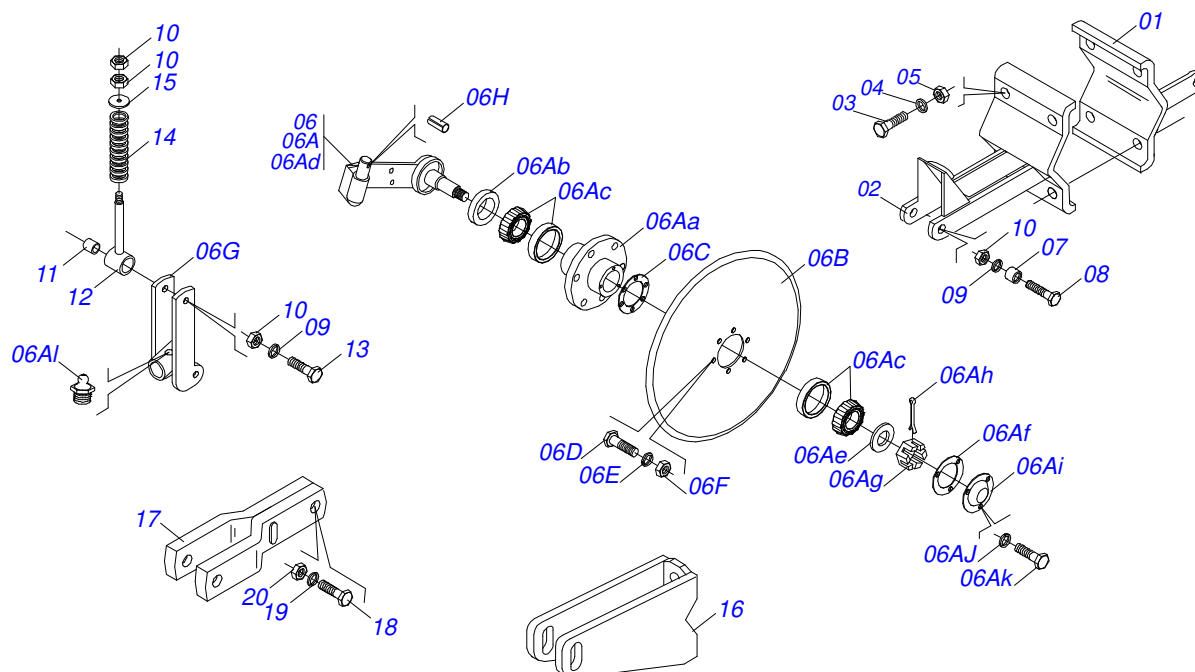


Item	Code	Description	See page	QT
01	0502010798	SOCKET SUBSOILER SUPPORT		01
02	0501010098	3/4" UNC BOLT		01
03	0501043477	FERTILIZER SUBSOILER WING SPINDLE		01
03A	0501011025	SUBSOILER SPINDLE		01
03B	0501065309	POINT SUBSOILER		02
03C	0501011028	1/2" X 2-1/4" BOLT		02
03D	0503010740	BOLT 1/2 UNC X 2 CS G.5 ZN		02
03E	0501010937	13.5 X 28 X 3 FLAT WASHER		02
03F	0503010019	1/2" SPRING WASHER		02
03G	0503010060	1/2" NUT		02
03H	0626091001	8" POINT SUBSOILER		01
03I	0501011190	5/8" X 3-3/4" BOLT		01
03J	0501011026	FIXER		01
03K	0503010027	5/8" SPRING WASHER		01
03L	0503010013	5/8" NUT		01
04	0502010175	HITCH CLAMP		02
05	0503010797	3/4" X 4" BOLT		02
06	0503010023	3/4" SPRING WASHER		02
07	0503010014	3/4" NUT		02
08	0501065200	SOCKET FASTENER SUPPORT		01
09	0503030432	FERTILIZER SOCKET		01
10	0503010237	3/8" X 1" BOLT		01
11	0503010025	3/8" SPRING WASHER		01
12	0503010026	3/8" NUT		01

COVER DISC



Item	Code	Description	See page	DIR	ESQ
00	0501049042	RIGHT DISC COVER		01	00
00A	0501049043	LH DISC COVER		00	01
01	0521015431	RH DISC COVER SUPPORT BODY		01	00
02	0521015430	LH DISC COVER SUPPORT BODY		00	01
03	0501052463	HUB DISC COVER		01	01
03A	0502020140	HUB		01	01
03B	0503010272	SEAL 00715-BA		01	01
03C	0503010269	6204 BALL BEARING		01	01
03D	0601011502	7-9/32" X 0.12" PLAIN DISC BLADE		01	01
03E	0503030143	3.3" X 1.9" X 0.1" JOINT		01	01
03F	0501012934	COVER DISC AXLE		01	01
03G	0503010302	501019 SEAL RING		01	01
03H	0503010282	1/4" X 3/4" BOLT		01	01
03I	0503010144	1/4" NUT		01	01
03J	0503010143	1/4" SPRING WASHER		01	01
03K	0503010691	1/4" GREASE FITTING		01	01
04	0503010019	1/2" SPRING WASHER		01	01
05	0503010060	1/2" NUT		01	01



Item	Code	Description	See page	QT
01	0501067681	SUPPORT FIXER SPINDLE		01
02	0501067683	ARM FIXER DISC BLADE		01
03	0503010762	SCREW 5/8 UNC X 3.1/2 CS G.5 ZN		04
04	0503010027	5/8" SPRING WASHER		04
05	0503010013	5/8" NUT		04
06	0501051184	DISC BLADE ARM ASSY		01
06A	0501050132	DISC BLADE ARM ASSY WITH HUB		01
06Aa	0502010231	DISC BLADE HUB		01
06Ab	0503010213	SEAL 30205		01
06Ac	0503010215	30205 BEARING		02
06Ad	0501065137	DISC BLADE ARM		01
06Ae	0501010941	FLAT WASHER		01
06Af	0503030272	3,1" X 2,1" X 0,01" JOINT		01
06Ag	0503030282	3/4" CASTLE NUT		01
06Ah	0503010362	1/8" X 1.1/4" COTTERPIN		01
06Ai	0501011061	DISC HUB COVER		01
06Aj	0503010143	1/4" SPRING WASHER		03
06Ak	0503010298	1/4" X 1/2" BOLT		03
06Al	0503010002	1800 GREASE FITTING		02
06B	0603021056	14" X 0.1" PLAIN COULTER BLADE		01
06C	0501013839	WASHER		01
06D	0503010365	NUT		06
06E	0503010179	LOCK WASHER		06
06F	0503010337	5/16" NUT		06
06G	0501067682	DISC BLADE REGULATOR		01
06H	0503010301	0.3" X 1.8" SPRING PIN		01
07	0511017079	0.77 X 0.98 X 2.91 BUSHING		01
08	0503011084	3/4" X 5" BOLT		01
09	0503010023	3/4" SPRING WASHER		01
10	0503010014	3/4" NUT		01
11	0511017080	0.77" X 0.98" X 2.13" BUSHING		01



T2SI

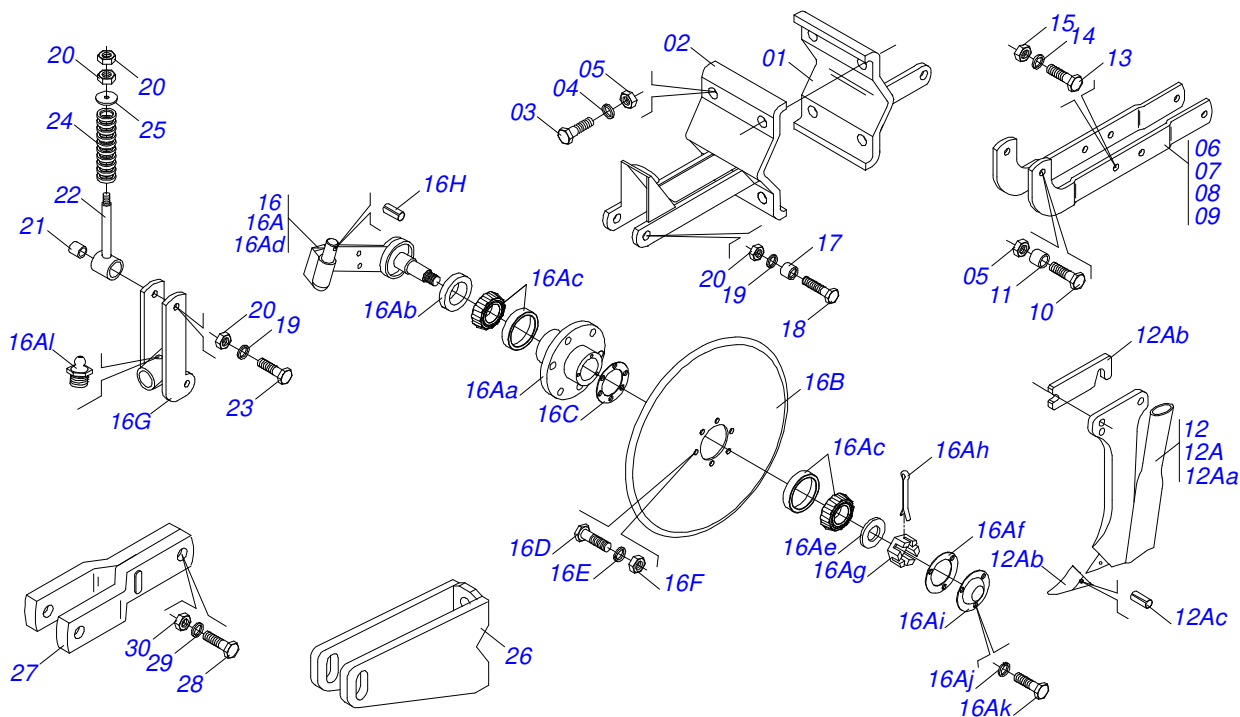
(UNTIL 03/2022)

Page 30

SEMI-DIRECTO ROW ASSY ASSY

0501046940

Item	Code	Description	See page	QT
12	0501062194	REGULATOR SPRING		01
13	0503010797	3/4" X 4" BOLT		01
14	0503030110	2.3"X 5.5"X 0.4" COMPRESSION SPRING		01
15	0511011423	SPRING GUIDE BUSHING		01
16	0501067684	HITCH		02
17	0501067680	DRAWBAR SUPPLEMENT		01
18	0501011547	1" X 4-1/2" BOLT		01
19	0503010012	1" SPRING WASHER		01
20	0501010059	1.5/8 NUT		01



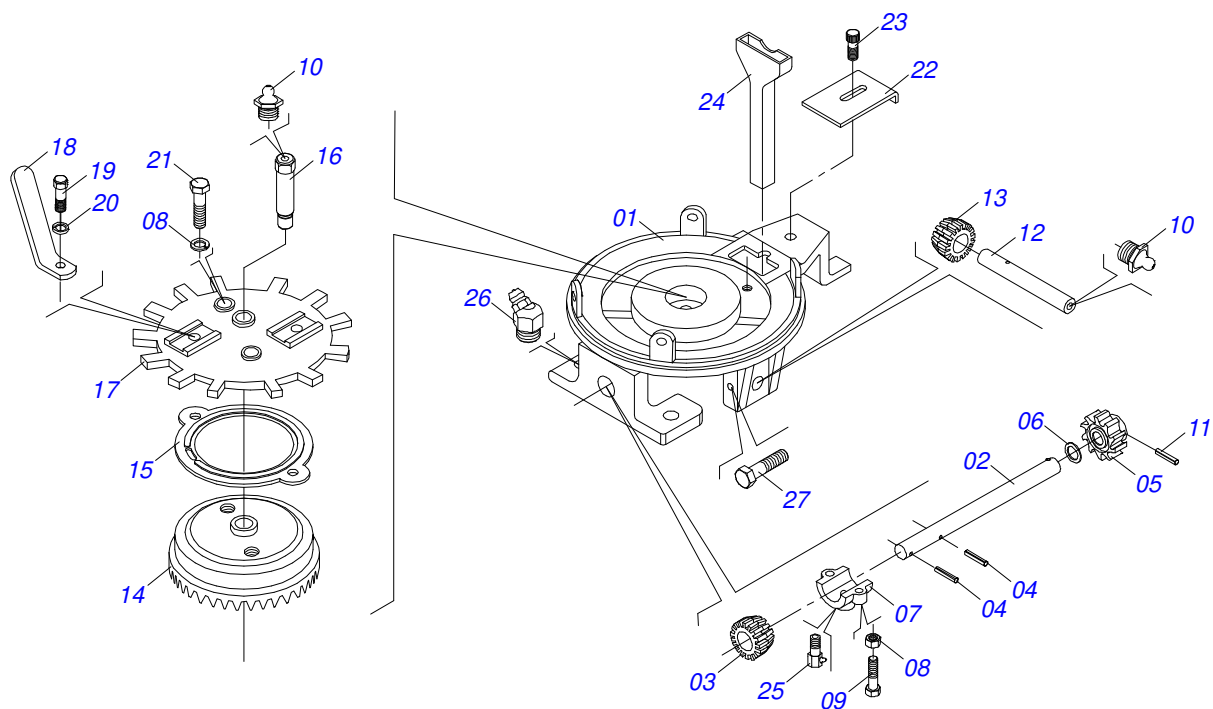
Item	Code	Description	See page	QT
00	0501046962	SEMI-DIRECTO ASSY DISC BL. SPINDLE	02	
00A	0501046963	SEMI-DIRECTO ASSY DISC BL. SPINDLE	03	
00B	0501046964	SEMI-DIRECTO ASSY DISC BL. SPINDLE	04	
00C	0501046965	SEMI-DIRECTO ASSY DISC BL. SPINDLE	05	
00D	0501046966	SEMI-DIRECTO ASSY DISC BL. SPINDLE	06	
00E	0501046882	SEMI-DIRECTO ROW ASSY SET	01	
01	0501067681	SUPPORT FIXER SPINDLE	01	
02	0501067683	ARM FIXER DISC BLADE	01	
03	0503010762	SCREW 5/8 UNC X 3.1/2 CS G.5 ZN	04	
04	0503010027	5/8" SPRING WASHER	04	
05	0503010013	5/8" NUT	08	
06	0511017049	RH SCARIFIER SPINDLE SUPPORT	01	
07	0511016989	RH SCARIFIER SPINDLE SUPPORT	01	
08	0511017050	LR SCARIFIER SPINDLE SUPPORT	01	
09	0511016990	LR SCARIFIER SPINDLE SUPPORT	01	
10	0511017958	5/8" X 1.9" RIGHT BOLT	02	
11	0521010482	ARTICULAT SLEEVE	02	
12	0501050843	SCARIFIER SPINDLE ASSY	01	
12.	0501110263	FURROWER ARM	01	
12A	0501110027	SCARIFIER SPINDLE WITH POINT	01	
12Aa	0501067536	SCARIFIER SPINDLE WITH SOCKET	01	
12Ab	0502070061	POINT SUBSOILER	01	
12Ac	0503011373	0.4" X 1.1" SPRING PIN	01	
12B	0511018662	SPACING PLATE	04	
13	0503010547	1/2" X 4" BOLT	02	
14	0503010019	1/2" SPRING WASHER	02	
15	0503010060	1/2" NUT	02	
16	0501051184	DISC BLADE ARM ASSY	01	
16A	0501050132	DISC BLADE ARM ASSY WITH HUB	01	
16Aa	0502011278	BALDE DISC HUB	01	
16Ab	0503010213	SEAL 30205	01	



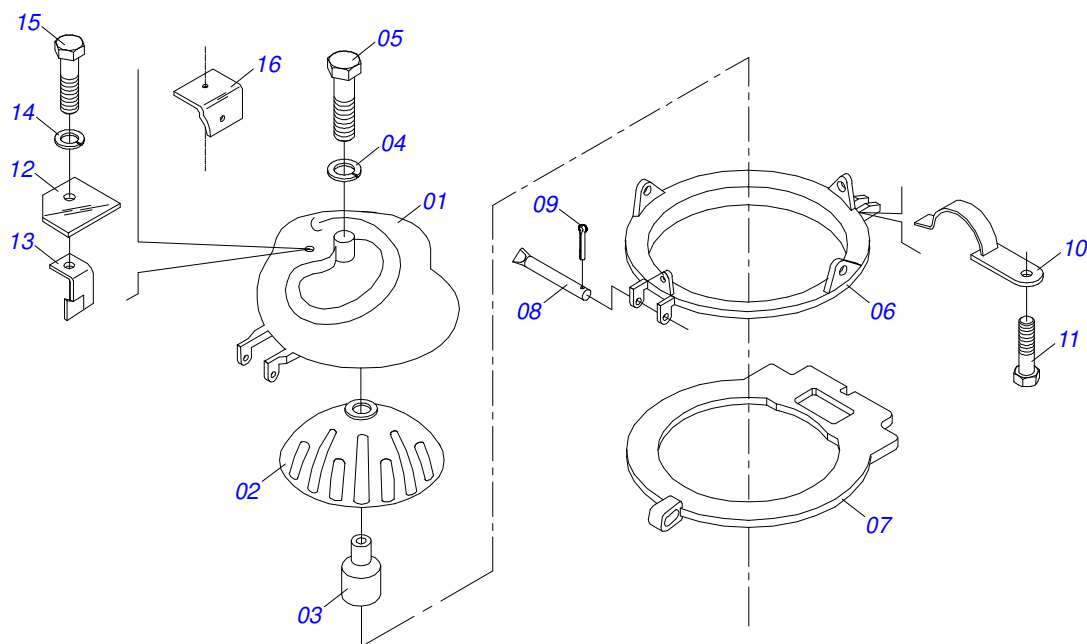
SEMI-DIRECTO ROW ASSY D.BL SPLINDE

0909091005

Item	Code	Description	See page	QT
16Ac	0503010215	30205 BEARING		02
16Ad	0501065137	DISC BLADE ARM		01
16Ae	0501010941	FLAT WASHER		01
16Af	0503030272	3,1" X 2,1" X 0,01" JOINT		01
16Ag	0503030282	3/4" CASTLE NUT		01
16Ah	0503010362	1/8" X 1.1/4" COTTERPIN		01
16Ai	0501011061	DISC HUB COVER		01
16Aj	0503010143	1/4" SPRING WASHER		03
16AK	0503010298	1/4" X 1/2" BOLT		03
16Al	0503010002	1800 GREASE FITTING		01
16B	0603021056	14" X 0.1" PLAIN COULTER BLADE		01
16C	0501013839	WASHER		01
16D	0503010365	NUT		06
16E	0503010179	LOCK WASHER		06
16F	0503010337	5/16" NUT		06
16G	0501067682	DISC BLADE REGULATOR		01
16H	0503010301	0.3" X 1.8" SPRING PIN		01
17	0511017079	0.77 X 0.98 X 2.91 BUSHING		01
18	0503011084	3/4" X 5" BOLT		01
19	0503010023	3/4" SPRING WASHER		02
20	0503010014	3/4" NUT		04
21	0511017080	0.77" X 0.98" X 2.13" BUSHING		01
22	0501062194	REGULATOR SPRING		01
23	0503010797	3/4" X 4" BOLT		10
24	0503030110	2.3"X 5.5"X 0.4" COMPRESSION SPRING		01
25	0511011423	SPRING GUIDE BUSHING		01
26	0501067684	HITCH		02
27	0501067680	DRAWBAR SUPPLEMENT		01
28	0501011547	1" X 4-1/2" BOLT		01
29	0503010012	1" SPRING WASHER		01
30	0501010059	1.5/8 NUT		01



Item	Code	Description	See page	QT
00	0501043145	SEED COTTON SYSTEM ASSY	32	01
01	0502011138	BOX SUPPORT SEED LINTER COTTON		01
02	0501013829	TRANSMISSION AXLE LINTER COTTON		01
03	0502011415	CONICAL GEAR LINTER COTTON		01
04	0503010585	0,24" X 1.18" SPRING PIN		02
05	0502010462	COTTON LINTER ROTOR		01
06	0501010941	FLAT WASHER		01
07	0502010466	COTTON LINTER BEARING SEMI		01
08	0503010179	LOCK WASHER		03
09	0503010363	5/16" X 1" BOLT		02
10	0503010002	1800 GREASE FITTING		04
11	0503010292	0.2" X 1.6" SPRING PIN		01
12	0511016215	COTTON LINTER AXLE GEAR		01
13	0502011137	CONICAL GEAR CILINDER COTTON LINTER		01
14	0502010463	CONICAL GEAR 40Z COTTON LINTER		01
15	0502010464	COTTON LINTER TRAIL		01
16	0511010126	GEAR AXLE		01
17	0502010461	COTTON LINTER DISC		01
18	0501013828	COTTON LINTER MEXEDOR		02
19	0503010256	3/8" X 3/4" BOLT		02
20	0503010025	3/8" SPRING WASHER		02
21	0503010365	NUT		02
22	0511010127	SEED SWITCH PLATE		01
23	0503010386	CABLE		01
24	0503030484	COTTON LINTER SOCKET		01
25	0503011098	1/4" GREASE FITTING		01
26	0503011099	GREASE FITTING		01
27	0503010240	BOLT		01



Item	Code	Description	See page	QT
01	0502020373	PEANUT DISH		01
02	0502020371	PEANUT ROTOR		01
03	0502020372	PEANUT ROTOR GUIDE		01
04	0503010179	LOCK WASHER		01
05	0501013872	5/16" X 2-3/16" BOLT		01
06	0502020362	PEANUT SEED BOX SUPPORT		01
07	0502010408	SEED DISC LOWER TRAIL		01
08	0501013790	0.33" X 4.72" PIN		01
09	0503010257	1/8" X 1" COTTERPIN		01
10	0501110033	CLAMP		01
11	0503010011	5/16" X 1/2" BOLT		01
12	0501013787	COVER PEANUT		01
13	0501013789	PEANUT SEED PROTECTION		01
14	0503010668	3/16" SPRING WASHER		01
15	0503010722	3/16" X 5/8" BOLT		01
16	0501013788	PEANUT SEED PROTECTION		01



MARCHESAN

Technical Publications | Elaboration and Revision

JOSÉ DOMINGOS GASPARI

www.marchesan.com.br

