

**OFFSET DISK HARROW**

**ATCR 32/36/40/44D**

**Code:** 0501091038  
**Series:** S-0412  
**Revision:** 00  
**Date Revision:** OUTUBRO/2022

# PARTS CATALOGUE



**MARCHESAN**



# PRODUCTS

| Code        | Description                                      |
|-------------|--------------------------------------------------|
| 0102440501  | ATCR 32 X 26 X 6,00 DM DR PN 400/60 S-0412       |
| 0102440501C | ATCR 32 X 26 X 6,00 DM DR PN 400/60 EXP S-0412   |
| 0102440453C | ATCR 32X28X6,00 DM PN400/60 EXP S-0412           |
| 0102440453  | ATCR 32X28X6,00DM PN 400/60 S-0412               |
| 0102440378  | ATCR 32X28X7,5 DM PN 400/60 S-0412               |
| 0102440423C | ATCR 36 X 24 X 6,0 DM DR PN 400/60 EXP S-0412    |
| 0102440423  | ATCR 36 X 24 X 6,00 DM DR PN 400/60 S-0412       |
| 0102440452C | ATCR 36 X 26 X 6,0 DR DM PN 400/60 EXP S-0412    |
| 0102440508  | ATCR 36X26X6,00 DR DM E1.5/8 PN 400/60 FF S-0412 |
| 0102440452  | ATCR 36X26X6,00DM PN 400/60 S-0412               |
| 0102440461  | ATCR 40 X 26 6,0DM PN 400/60 S-0412              |
| 0102440461C | ATCR 40 X 26 X 6,0 DR DM PN 400/60 EXP S-0412    |
| 0102440475  | ATCR 44 X 24 X 6,00 DM MT PN400/60 S-0412        |
| 0102440475C | ATCR 44 X 24 X 6,00 DM MT PN400/60 EXP S-0412    |
| 0102440476  | ATCR 44 X 26 X 6 DM PN400/60 S-0412              |
| 0102440476C | ATCR 44 X 26 X 6 DM PN400/60 EXP S-0412          |

## ATTENTION: IMPORTANT

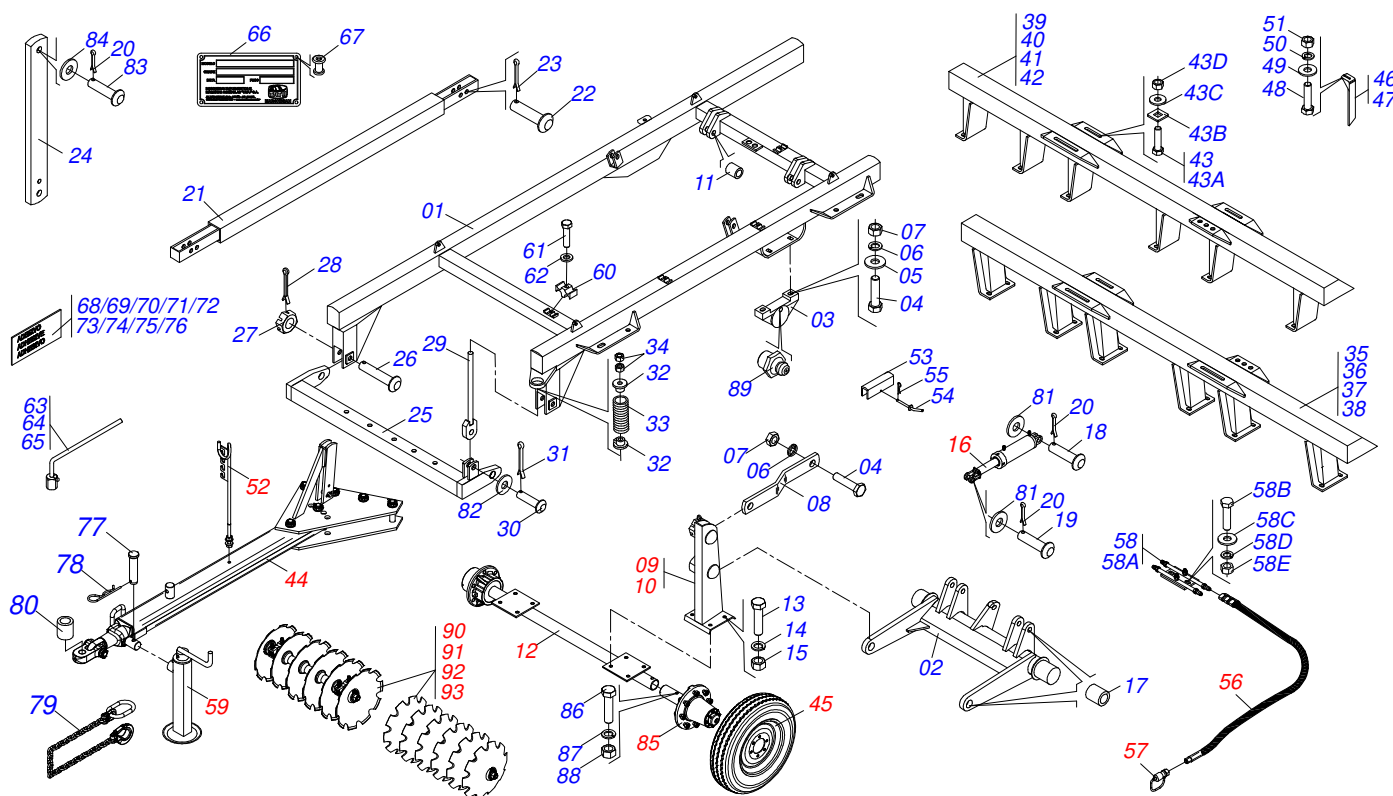
Marchesan S.A. reserves the right to improve and/or modify the technical features of its products, without obligation to do the same with those products already sold and without prior knowledge of the dealer or the consumer. The photos are only illustrative.



**MARCHESAN**

# INDEX

|            |                                               |       |    |
|------------|-----------------------------------------------|-------|----|
| 0909092571 | ASSY FRAME                                    | ..... | 1  |
| 0501054147 | RIGHT SUSPENSION TOWER                        | ..... | 2  |
| 0501054148 | LEFT SUSPENSION TOWER                         | ..... | 3  |
| 0501047809 | 3" X 85"STUB SHAFT & HUB ASSY                 | ..... | 4  |
| 0511059181 | HYDRAULIC CYLINDER 50,80 X 101,60 X 515 X 248 | ..... | 5  |
| 0501044309 | 2.0" X 5" X 20" X 10" HYDRAULIC CYLINDER      | ..... | 6  |
| 0511041570 | DRAWBAR ASSY 3"                               | ..... | 7  |
| 0501046307 | DRAWBAR ASSY                                  | ..... | 8  |
| 0503060102 | WHEEL AND TIRE                                | ..... | 9  |
| 0501040257 | 3/4 X 1200 HOSE HOLDER A                      | ..... | 10 |
| 0501051043 | HOSE ASSY                                     | ..... | 11 |
| 0501053834 | MALE QUICK COUPLER                            | ..... | 12 |
| 0511048088 | DRAWBAR JACK                                  | ..... | 13 |
| 0501051885 | CARRYING-WHEELS                               | ..... | 14 |
| 0909090120 | GANG DISC 32                                  | ..... | 15 |
| 0909096563 | GANG DISC 36                                  | ..... | 16 |
| 0909090122 | GANG DISC 40                                  | ..... | 17 |
| 0909090123 | GANG DISC 44                                  | ..... | 18 |
| 0501043197 | 8.86" X 1-5/8" OIL BATH BEARING               | ..... | 19 |
| 0501042963 | 9" X 1-5/8" OIL BATH BEARING                  | ..... | 20 |
| 0501048321 | 225MM X 1.5/8" RD. OIL BATH BEARING           | ..... | 21 |



| Item | Code       | Description                                   | See page | 032 | 036 | 040 | 044 |
|------|------------|-----------------------------------------------|----------|-----|-----|-----|-----|
| 01   | 0501067290 | CENTER FRAME                                  |          | 001 | 001 | 001 | 001 |
| 02   | 0501067244 | WHEELS                                        |          | 001 | 001 | 001 | 001 |
| 03   | 0502010972 | ARTICULACION BEARING                          |          | 002 | 002 | 002 | 002 |
| 04   | 0503011432 | BOLT                                          |          | 004 | 004 | 004 | 004 |
| 05   | 0501010065 | 1" SPRING WASHER                              |          | 004 | 004 | 004 | 004 |
| 06   | 0503010012 | 1" SPRING WASHER                              |          | 004 | 004 | 004 | 004 |
| 07   | 0501010059 | 1.5/8 NUT                                     |          | 004 | 004 | 004 | 004 |
| 08   | 0501110404 | SUPPORT BAR                                   |          | 002 | 002 | 002 | 002 |
| 09   | 0501054147 | RIGHT SUSPENSION TOWER                        | 2        | 001 | 001 | 001 | 001 |
| 10   | 0501054148 | LEFT SUSPENSION TOWER                         | 3        | 001 | 001 | 001 | 001 |
| 11   | 0511019921 | 1.3" X 0.1" X 1" SLEEVE                       |          | 002 | 000 | 000 | 000 |
| 12   | 0501047809 | 3" X 85"STUB SHAFT & HUB ASSY                 | 4        | 000 | 000 | 001 | 001 |
| 12.  | 0511069623 | WHEEL SISTEM FIXER                            |          | 000 | 001 | 000 | 000 |
| 13   | 0501810125 | SCREW 3/4 UNC X 2.1/2 C S G.5                 |          | 008 | 008 | 008 | 008 |
| 13.  | 0501810098 | 3/4" X 2" BOLT                                |          | 008 | 008 | 008 | 008 |
| 14   | 0503011442 | 3/4" SPRING WASHER                            |          | 008 | 008 | 008 | 008 |
| 15   | 0503010014 | 3/4" HEX NUT                                  |          | 008 | 008 | 008 | 008 |
| 16   | 0511059181 | HYDRAULIC CYLINDER 50,80 X 101,60 X 515 X 248 | 5        | 002 | 002 | 000 | 000 |
| 16.  | 0501044309 | 2.0" X 5" X 20" X 10" HYDRAULIC CYLINDER      | 6        | 000 | 000 | 002 | 002 |
| 17   | 0521010737 | 50,4/50,6X 38,5 X 35 SLEEVE                   |          | 002 | 002 | 002 | 002 |
| 18   | 0511810174 | COUPLING SHAFT                                |          | 002 | 002 | 002 | 002 |
| 19   | 0521010547 | 1.2" X 6.5" COUPLING SHAFT                    |          | 002 | 002 | 002 | 002 |
| 20   | 0503010523 | 1/4" X 2" COTTERPIN                           |          | 004 | 004 | 004 | 004 |
| 21   | 0501067243 | STABILIZER BAR                                |          | 001 | 001 | 001 | 001 |
| 22   | 0521810575 | COUPLING SHAFT                                |          | 002 | 002 | 002 | 002 |
| 23   | 0503010571 | 1/4" X 1.1/2 COTTERPIN                        |          | 002 | 002 | 002 | 002 |
| 24   | 0511013526 | STABILIZER BAR TOWER                          |          | 001 | 001 | 001 | 001 |
| 25   | 0501067241 | OFFSET BAR                                    |          | 001 | 001 | 001 | 001 |
| 26   | 0521817538 | COUPLING SHAFT                                |          | 002 | 002 | 002 | 002 |
| 27   | 0501011301 | 1.1/2 UNC 6FPP 2.5/16 NUT                     |          | 002 | 002 | 002 | 002 |
| 28   | 0503010010 | 1/4" X 2.1/2" COTTERPIN                       |          | 002 | 002 | 002 | 002 |



## ASSY FRAME

0909092571

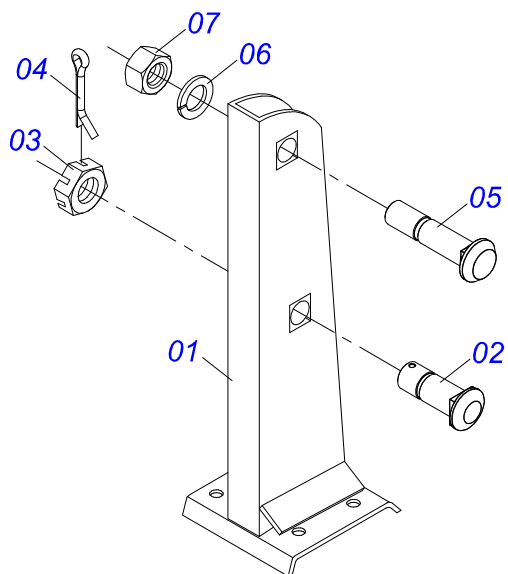
| Item | Code       | Description                         | See page | 032 | 036 | 040 | 044 |
|------|------------|-------------------------------------|----------|-----|-----|-----|-----|
| 29   | 0501064699 | SPRING ROD                          |          | 001 | 001 | 001 | 001 |
| 30   | 0521010592 | 1.1" X 3.1" COUPLING SHAFT          |          | 001 | 001 | 001 | 001 |
| 31   | 0503010571 | 1/4" X 1.1/2 COTTERPIN              |          | 001 | 001 | 001 | 001 |
| 32   | 0502020394 | SPRING SUPPORT                      |          | 001 | 001 | 001 | 001 |
| 33   | 0503030441 | 12.7" X 5.7" X 0.5"SPRING           |          | 001 | 001 | 001 | 001 |
| 34   | 0501810087 | NUT - 1.1/4 UNC 7FPP (SEXT.2) SA    |          | 002 | 002 | 002 | 002 |
| 35   | 0501064439 | FRONT FRAME                         |          | 001 | 000 | 000 | 000 |
| 36   | 0501064448 | FRONT FRAME                         |          | 000 | 001 | 000 | 000 |
| 37   | 0501063981 | FRONT FRAME                         |          | 000 | 000 | 001 | 000 |
| 38   | 0501064756 | FRONT FRAME 44                      |          | 000 | 000 | 000 | 001 |
| 39   | 0501064438 | REAR FRAME                          |          | 001 | 000 | 000 | 000 |
| 40   | 0501064449 | REAR FRAME                          |          | 000 | 001 | 000 | 000 |
| 41   | 0501063980 | REAR FRAME                          |          | 000 | 000 | 001 | 000 |
| 42   | 0501064757 | REAR FRAME 44                       |          | 000 | 000 | 000 | 001 |
| 43   | 0511040034 | 3/4" X 3-1/4" BOLT ASSY             |          | 008 | 008 | 008 | 008 |
| 43A  | 0501017303 | 3/4" X 3-1/4" BOLT                  |          | 008 | 008 | 008 | 008 |
| 43B  | 0501010949 | 3/4" SQUARE WASHER                  |          | 008 | 008 | 008 | 008 |
| 43C  | 0501010322 | FLAT WASHER                         |          | 008 | 008 | 008 | 008 |
| 43D  | 0503010014 | 3/4" HEX NUT                        |          | 016 | 016 | 016 | 016 |
| 44   | 0511041570 | DRAWBAR ASSY 3"                     | 7        | 001 | 001 | 000 | 000 |
| 44.  | 0501046307 | DRAWBAR ASSY                        | 8        | 000 | 000 | 001 | 001 |
| 45   | 0503060102 | WHEEL AND TIRE                      | 9        | 002 | 002 | 002 | 002 |
| 46   | 0501064168 | REAR SCRAPER                        |          | 009 | 011 | 013 | 013 |
| 47   | 0501064167 | REAR SCRAPER                        |          | 009 | 011 | 013 | 013 |
| 48   | 0503010740 | BOLT 1/2 UNC X 2 CS G.5 ZN          |          | 036 | 044 | 052 | 060 |
| 49   | 0511017302 | FLAT WASHER 13,50 X 32,50 X 3,0 ZN  |          | 072 | 088 | 104 | 104 |
| 50   | 0503010019 | 1/2" SPRING WASHER                  |          | 036 | 044 | 052 | 052 |
| 51   | 0503010060 | 1/2 UNC G.5 ZN HEX NUT              |          | 036 | 044 | 052 | 052 |
| 52   | 0501040257 | 3/4 X 1200 HOSE HOLDER A            | 10       | 001 | 001 | 001 | 001 |
| 53   | 0501066386 | TRANSPORT LOCK 9.54"                |          | 002 | 002 | 002 | 002 |
| 54   | 0501068994 | 8,30 X 78 LOCK PIN                  |          | 001 | 001 | 001 | 001 |
| 55   | 0503030168 | HITCH PIN CLIP                      |          | 002 | 002 | 002 | 002 |
| 56   | 0501051043 | HOSE ASSY                           | 11       | 001 | 001 | 001 | 001 |
| 57   | 0501053834 | MALE QUICK COUPLER                  | 12       | 002 | 002 | 002 | 002 |
| 58   | 0501051611 | CONNECTION ASSY                     |          | 001 | 001 | 001 | 001 |
| 58A  | 0501068706 | DOUBLE CONNECTION                   |          | 001 | 001 | 001 | 001 |
| 58B  | 0503010237 | 3/8" X 1" BOLT                      |          | 002 | 002 | 002 | 002 |
| 58C  | 0501010984 | FLAT WASHER 10,50 X 27 X 3,00 ZN    |          | 002 | 002 | 002 | 002 |
| 58D  | 0503010025 | 3/8" SPRING WASHER                  |          | 002 | 002 | 002 | 002 |
| 58E  | 0503010026 | 3/8" NUT                            |          | 002 | 002 | 002 | 002 |
| 59   | 0511048088 | DRAWBAR JACK                        | 13       | 001 | 001 | 001 | 001 |
| 60   | 0502012702 | BODY SUPPORT CLAMP                  |          | 004 | 004 | 005 | 005 |
| 60.  | 0502010477 | HOSE CLAMP                          |          | 001 | 000 | 001 | 000 |
| 61   | 0503012555 | SCREW 7/16 UNC X 2 CS RT G.7 ZN     |          | 001 | 001 | 001 | 001 |
| 62   | 0503010180 | 7/16" SPRING WASHER                 |          | 004 | 005 | 005 | 005 |
| 63   | 0501061617 | 1" GANG BOLT WRENCH                 |          | 001 | 001 | 001 | 001 |
| 64   | 0503016140 | 3/4" WRENCH CABLE CYLINDRICAL       |          | 002 | 002 | 002 | 002 |
| 65   | 0501011431 | 1-3/4" GANG BOLT WRENCH             |          | 001 | 001 | 001 | 001 |
| 66   | 0503034003 | SERIAL NUMBER TAG 61 X 118          |          | 001 | 001 | 001 | 001 |
| 67   | 0503010001 | 3.2 X 5.5 RIVET                     |          | 004 | 004 | 004 | 004 |
| 68   | 0503060786 | SET LABEL ADHESIVE                  |          | 001 | 001 | 001 | 001 |
| 69   | 0503031428 | READ MANUAL DECAL                   |          | 001 | 001 | 001 | 001 |
| 70   | 0503031087 | ADHESIVE LABEL                      |          | 001 | 001 | 001 | 001 |
| 71   | 0503031827 | LUBRICATE AND RETIGHTEN DAILY DECAL |          | 001 | 001 | 001 | 001 |
| 72   | 0503034078 | LIFTING POINTS DECAL                |          | 004 | 004 | 004 | 004 |
| 73   | 0503031738 | ADHESIVE LABEL                      |          | 002 | 002 | 002 | 002 |
| 74   | 0503033038 | DANGER SIGN                         |          | 001 | 001 | 001 | 001 |
| 75   | 0503034499 | HOSE IDENTIFICATION DECAL           |          | 001 | 001 | 001 | 001 |
| 76   | 0503031739 | ADHESIVE LABEL                      |          | 001 | 001 | 001 | 001 |



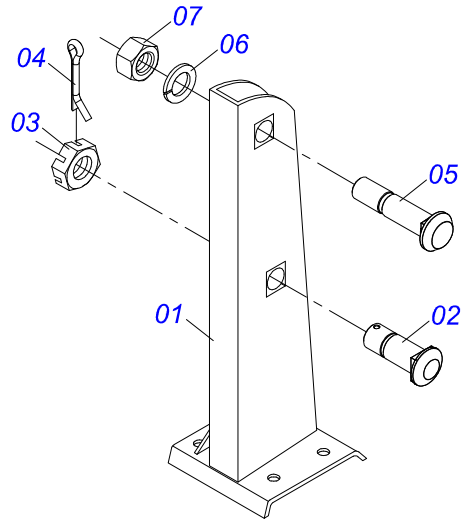
## ASSY FRAME

0909092571

| Item | Code       | Description                      | See page | 032 | 036 | 040 | 044 |
|------|------------|----------------------------------|----------|-----|-----|-----|-----|
| 77   | 0561014251 | COUPLING SHAFT                   |          | 001 | 001 | 001 | 001 |
| 78   | 0503030012 | HITCH PIN CLIP                   |          | 001 | 001 | 001 | 001 |
| 79   | 0503013150 | 1300 X 3/8 CHAIN                 |          | 001 | 001 | 001 | 001 |
| 80   | 0581010270 | GLOVE 48 X 59.30 X 76            |          | 001 | 001 | 001 | 001 |
| 81   | 0501017779 | 32 X 60 X 4.75 FLAT WASHER       |          | 004 | 004 | 004 | 004 |
| 82   | 0561011883 | FLAT WASHER                      |          | 001 | 001 | 001 | 001 |
| 83   | 0521010576 | 0.9" X 3.7" COUPLING SHAFT       |          | 001 | 001 | 001 | 001 |
| 84   | 0501011445 | FLAT WASHER                      |          | 001 | 001 | 001 | 001 |
| 85   | 0501051885 | CARRYING-WHEELS                  | 14       | 002 | 002 | 002 | 002 |
| 86   | 0503810706 | SCREW 1/2 UNC X 4.1/2 C S G.5 SA |          | 002 | 002 | 002 | 002 |
| 87   | 0503011440 | SPRING WASHER                    |          | 002 | 002 | 002 | 002 |
| 88   | 0503810060 | NUT 1/2 NC S SA                  |          | 002 | 002 | 002 | 002 |
| 89   | 0503010002 | 1800 GREASE FITTING              |          | 004 | 004 | 004 | 004 |
| 90   | 0909090120 | GANG DISC 32                     | 15       | 001 | 000 | 000 | 000 |
| 91   | 0909096563 | GANG DISC 36                     | 16       | 000 | 001 | 000 | 000 |
| 92   | 0909090122 | GANG DISC 40                     | 17       | 000 | 000 | 001 | 000 |
| 93   | 0909090123 | GANG DISC 44                     | 18       | 000 | 000 | 000 | 001 |

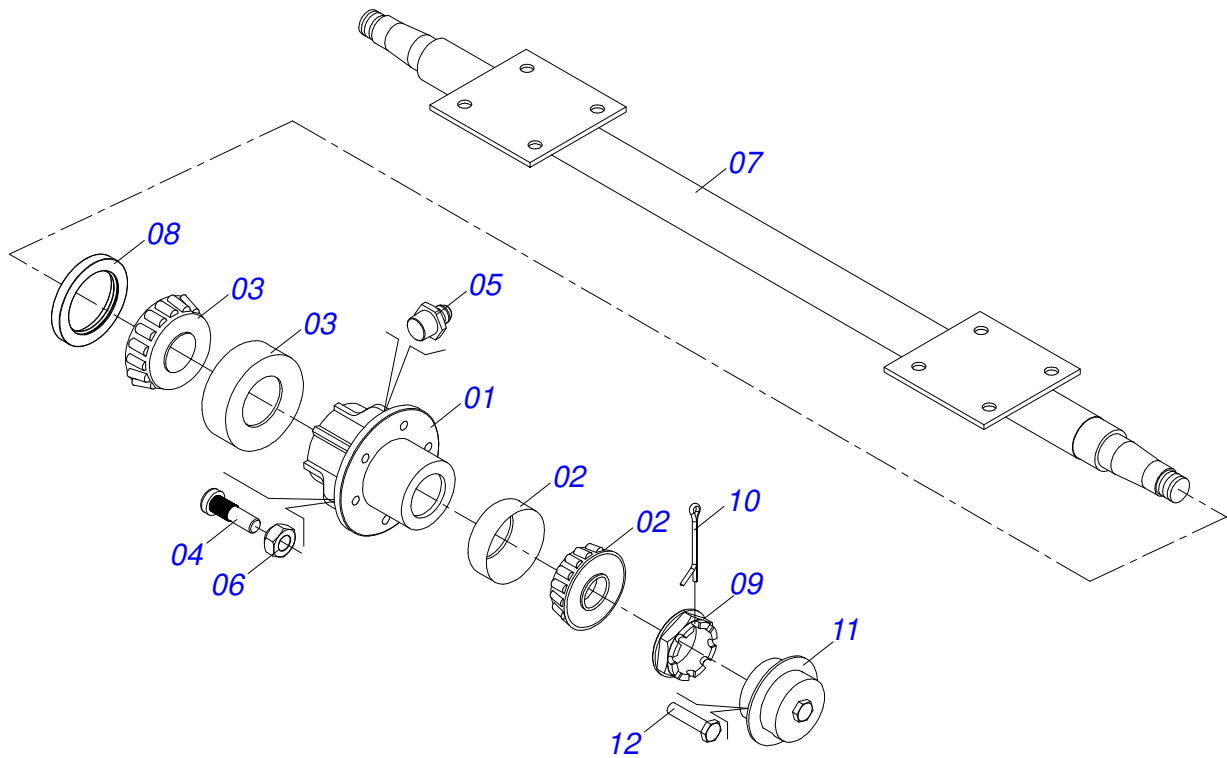


| Item | Code       | Description                        | See page | QT |
|------|------------|------------------------------------|----------|----|
| 01   | 0501068260 | RIGHT SUSPENSION TOWER             |          | 01 |
| 02   | 0511018006 | 1-1/2 X 4.13" U BOLT OF SUSP TOWER |          | 01 |
| 03   | 0501011301 | 1.1/2 UNC 6FPP 2.5/16 NUT          |          | 01 |
| 04   | 0503010010 | 1/4" X 2.1/2" COTTERPIN            |          | 01 |
| 05   | 0511017974 | 1 U BOLT OF THE SUSPENSION TOWER   |          | 01 |
| 06   | 0503010012 | 1" SPRING WASHER                   |          | 01 |
| 07   | 0501010059 | 1.5/8 NUT                          |          | 01 |

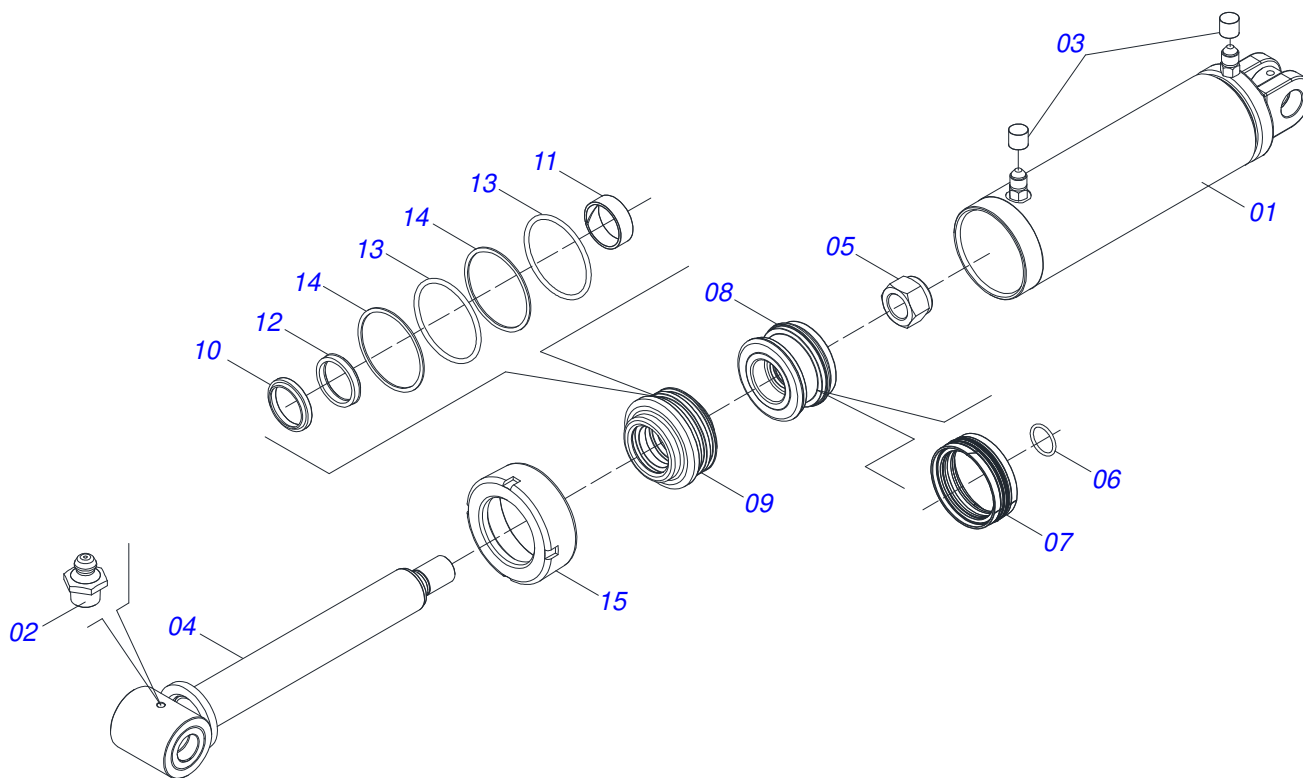


| Item | Code       | Description                        | See page | QT |
|------|------------|------------------------------------|----------|----|
| 01   | 0501068261 | LEFT SUSPENSION TOWER              |          | 01 |
| 02   | 0511018006 | 1-1/2 X 4.13" U BOLT OF SUSP TOWER |          | 01 |
| 03   | 0501011301 | 1.1/2 UNC 6FPP 2.5/16 NUT          |          | 01 |
| 04   | 0503010010 | 1/4" X 2.1/2" COTTERPIN            |          | 01 |
| 05   | 0511017974 | 1 U BOLT OF THE SUSPENSION TOWER   |          | 01 |
| 06   | 0503010012 | 1" SPRING WASHER                   |          | 01 |
| 07   | 0501010059 | 1.5/8 NUT                          |          | 01 |

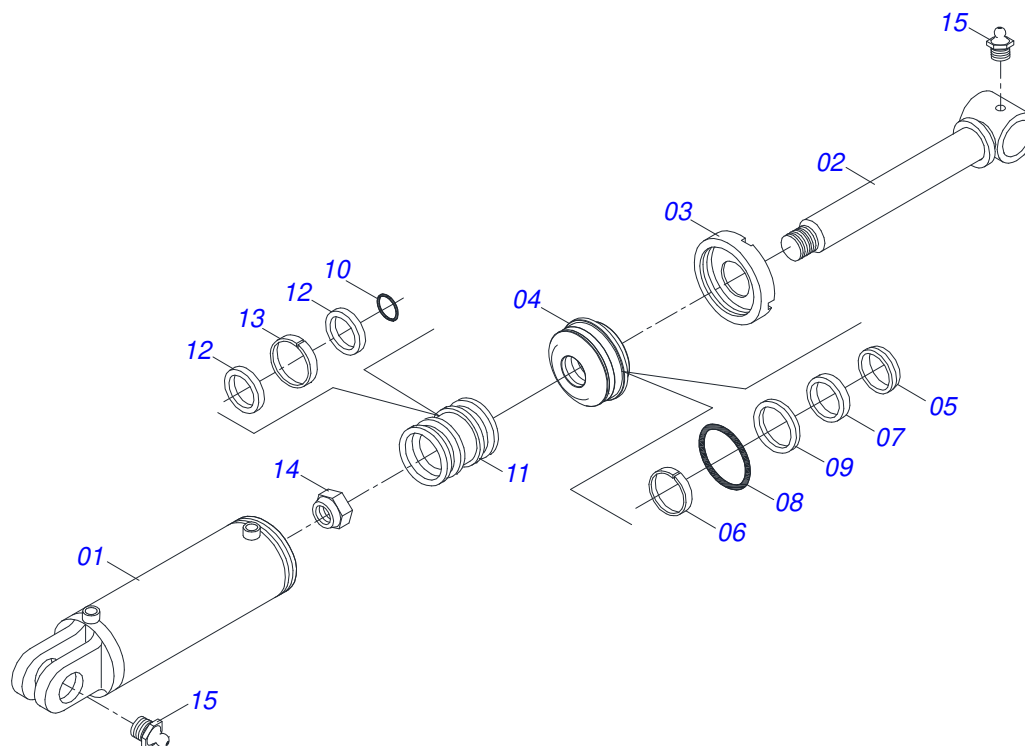




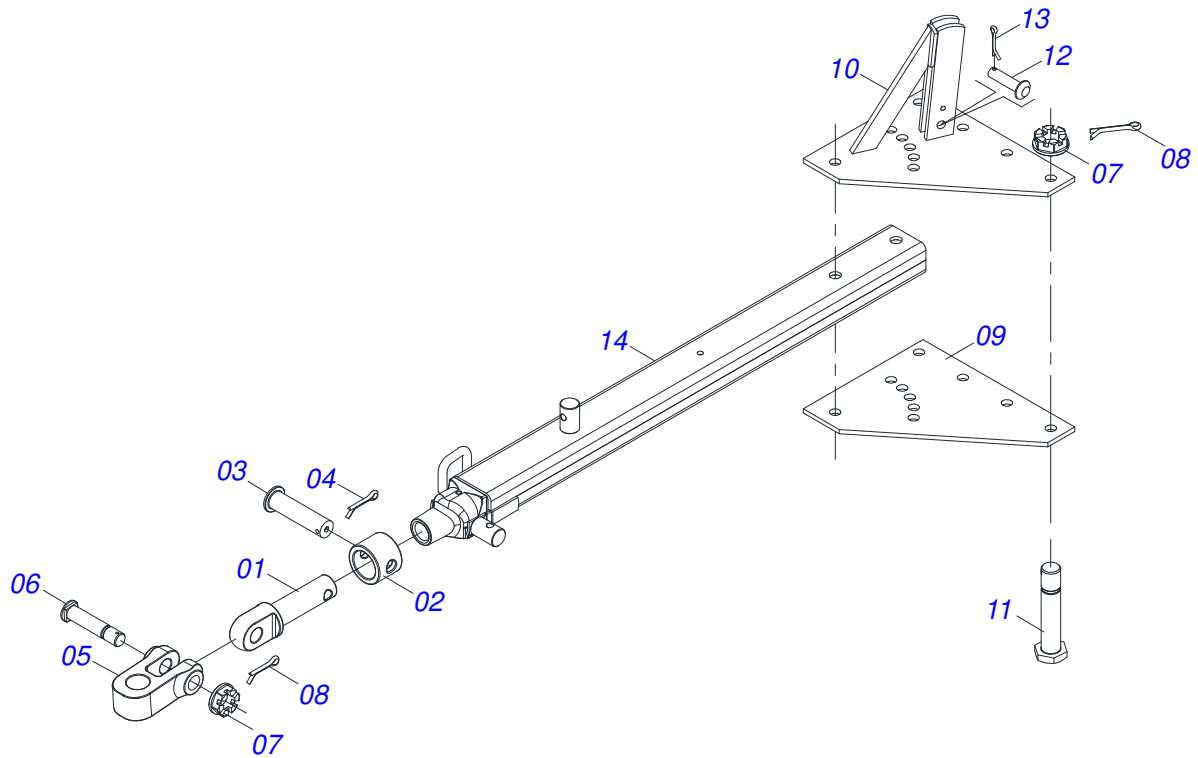
| Item | Code       | Description                    | See page | QT |
|------|------------|--------------------------------|----------|----|
| 01   | 0502011389 | BOX                            |          | 02 |
| 02   | 0503010006 | 32210 ROLLER BEARING           |          | 02 |
| 03   | 0503010005 | 32212 ROLLER BEARING           |          | 02 |
| 04   | 0501010186 | WHEEL SCREW 5/8UNF X 2.1/8CR   |          | 12 |
| 05   | 0503010002 | 1800 GREASE FITTING            |          | 02 |
| 06   | 0503010064 | 5/8 UNF CONIC NUT              |          | 12 |
| 07   | 0501067004 | 3" X 85" AXLE                  |          | 01 |
| 08   | 0503011866 | SEAL 00573-B WITH HOLE         |          | 02 |
| 09   | 0501010888 | 1.3/4" 2.5/16" CASTLE NUT      |          | 02 |
| 10   | 0503010010 | 1/4" X 2.1/2" COTTERPIN        |          | 02 |
| 11   | 0502020593 | COVER                          |          | 02 |
| 12   | 0503010295 | SCREW 5/16 UNC X 5/8 CS G.2 ZN |          | 02 |



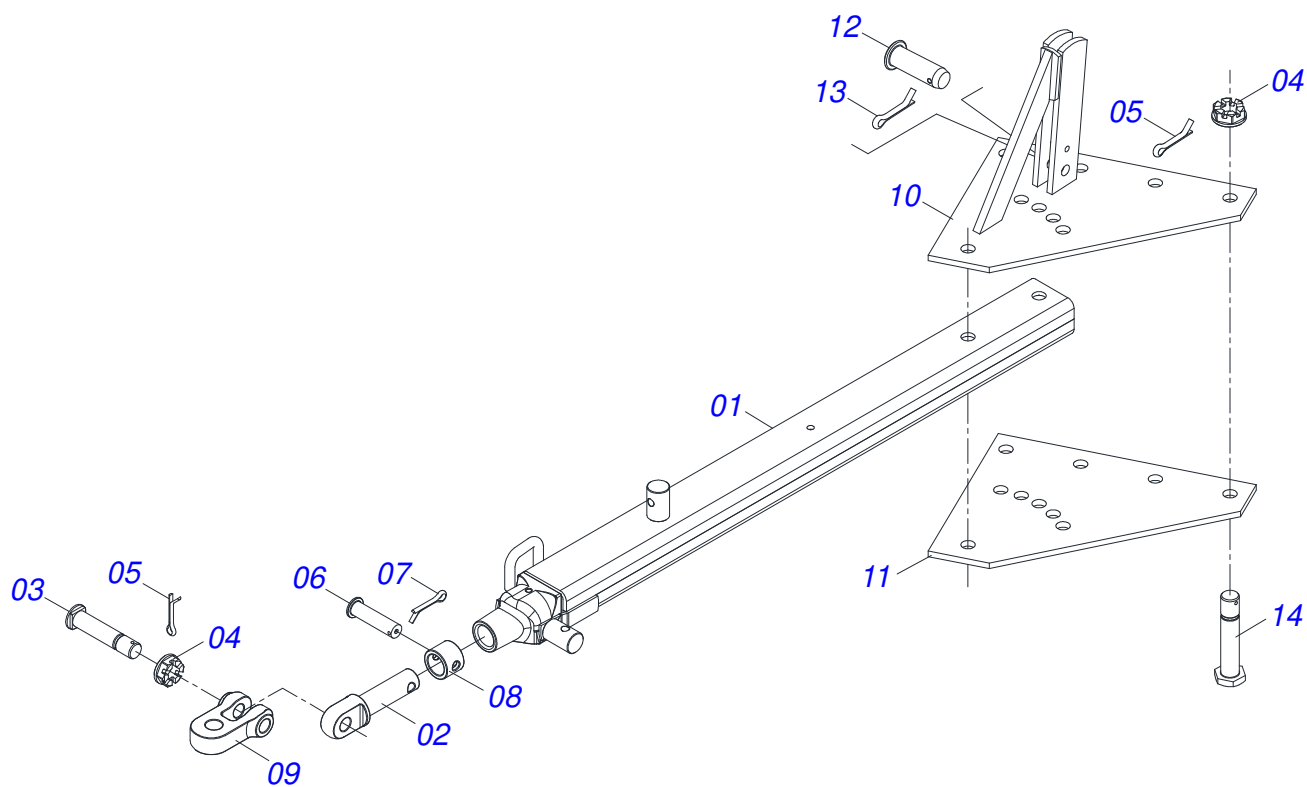
| Item | Code       | Description              | See page | QT |
|------|------------|--------------------------|----------|----|
| 01   | 0501067256 | 4" X 16" CYLINDER CASE   |          | 01 |
| 02   | 0503010002 | 1800 GREASE FITTING      |          | 02 |
| 03   | 0503030385 | CYLINDER PLUG N-002      |          | 02 |
| 04   | 0521066345 | 50,80 X 452 TURNBUCLE    |          | 01 |
| 05   | 0503010817 | 1.1/4" SELF LOCKING NUT  |          | 01 |
| 06   | 0503010345 | 2-218 N 3006-9B O'RING   |          | 01 |
| 07   | 0503015633 | SELEMASTER SEALING       |          | 01 |
| 08   | 0502012842 | 50,80 X 101,60 PISTON    |          | 01 |
| 09   | 0581010678 | 50,80 X 101 RING SUPPORT |          | 01 |
| 10   | 0503015636 | SCRAPER SEAL             |          | 01 |
| 11   | 0503018025 | RING GUIDE               |          | 01 |
| 12   | 0503018026 | 1870-2000-375 B GASKET   |          | 01 |
| 13   | 0503010338 | 2-342 N 3006-9B O'RING   |          | 02 |
| 14   | 0503011061 | 8-342 BACK-UP RING       |          | 02 |
| 15   | 0502012822 | 101.60 END CAP           |          | 01 |



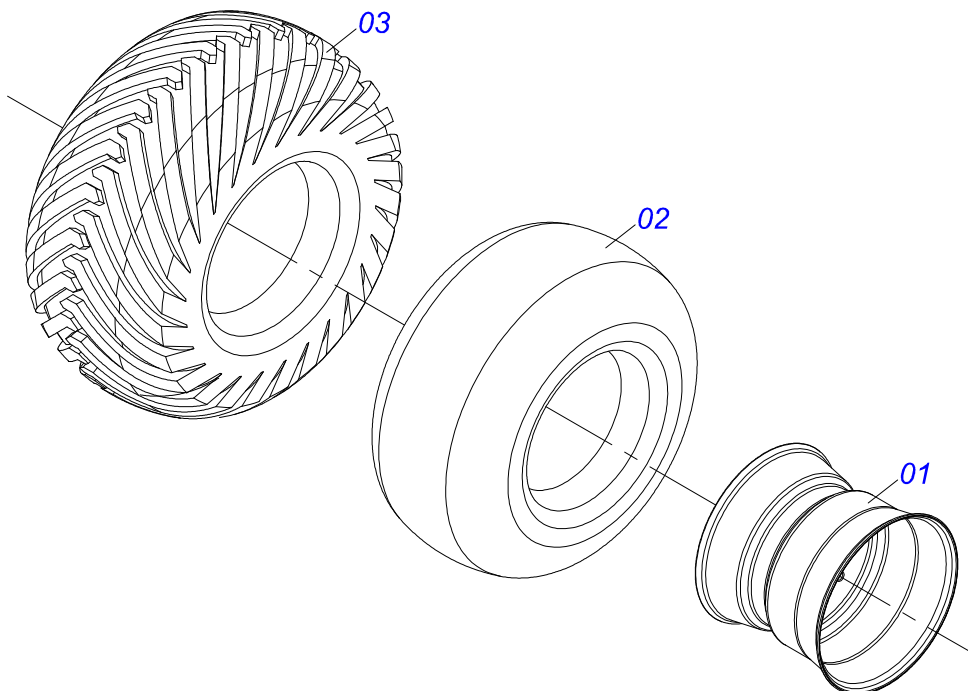
| Item | Code       | Description                   | See page | QT |
|------|------------|-------------------------------|----------|----|
| 01   | 0501069075 | BODY 127 X 424                |          | 01 |
| 02   | 0501068963 | HYDRAULIC CYLINDER TURNBUCKLE |          | 01 |
| 03   | 0502010382 | 5" END CAP                    |          | 01 |
| 04   | 0502012227 | 50.80 X 127 RING SUPPORT      |          | 01 |
| 05   | 0503010039 | D-2000 SCRAPER RING           |          | 01 |
| 06   | 0503010952 | W2-2250-500 RING              |          | 01 |
| 07   | 0503010991 | 1870-2000-375-B GASKET        |          | 01 |
| 08   | 0503010351 | 2-425 N 3006-9B O'RING        |          | 01 |
| 09   | 0503011062 | 8-425 BACK-UP RING            |          | 01 |
| 10   | 0503010345 | 2-218 N 3006-9B O'RING        |          | 01 |
| 11   | 0502010963 | 2.0" X 5.0" PISTON            |          | 01 |
| 12   | 0503010552 | PACKING 3750-4250-625-B       |          | 02 |
| 13   | 0503010974 | W2-5000-500 RING              |          | 01 |
| 14   | 0503010817 | 1.1/4" SELF LOCKING NUT       |          | 01 |
| 15   | 0503010002 | 1800 GREASE FITTING           |          | 02 |
| 16   | 0501031961 | HYDRAULIC CYLINDER REPAIR KIT |          | 01 |



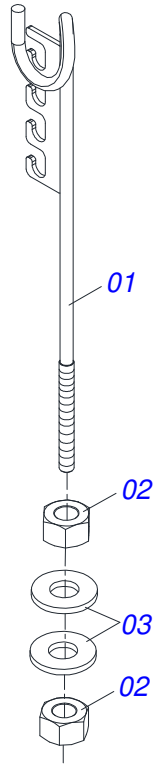
| Item | Code       | Description               | See page | QT |
|------|------------|---------------------------|----------|----|
| 01   | 0502040223 | DRAWBOLT                  |          | 01 |
| 02   | 0502040327 | HITCH LOCK RING           |          | 01 |
| 03   | 0511014902 | COUPLING SHAFT            |          | 01 |
| 04   | 0503010571 | 1/4" X 1.1/2 COTTERPIN    |          | 01 |
| 05   | 1902040733 | U COUPLING HOOK           |          | 01 |
| 06   | 0521012545 | COUPLING SHAFT            |          | 01 |
| 07   | 0501011301 | 1.1/2 UNC 6FPP 2.5/16 NUT |          | 07 |
| 08   | 0503010010 | 1/4" X 2.1/2" COTTERPIN   |          | 07 |
| 09   | 0511016137 | UPPER /LOWER PLATE        |          | 01 |
| 10   | 0501067250 | UPPER PLATE WITH SUPPORT  |          | 01 |
| 11   | 0501016419 | 1-1/2" X 7.5" BOLT        |          | 06 |
| 12   | 0521010779 | 31.75 X 95 COUPLING SHAFT |          | 01 |
| 13   | 0503010523 | 1/4" X 2" COTTERPIN       |          | 01 |
| 14   | 0501069323 | TRACTION BAR              |          | 01 |



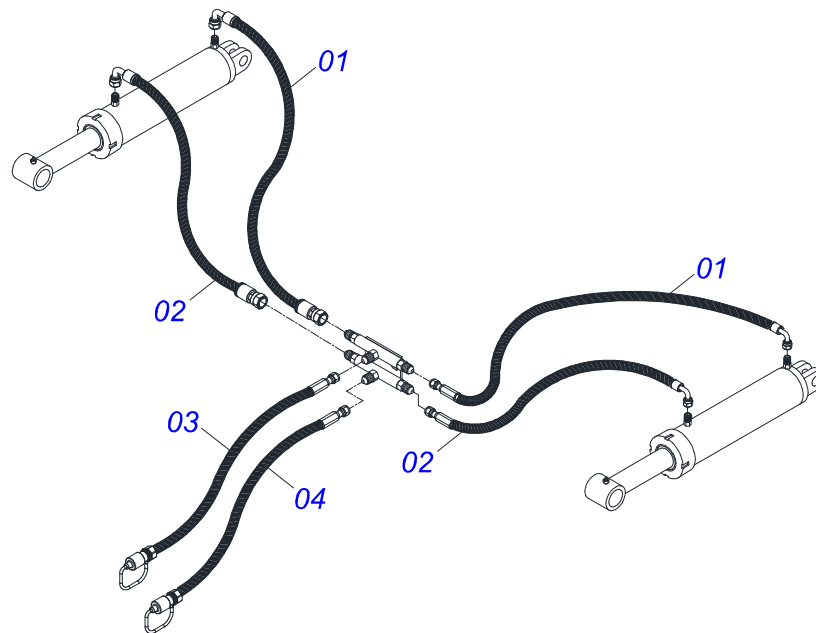
| Item | Code       | Description               | See page | QT |
|------|------------|---------------------------|----------|----|
| 01   | 0501069323 | TRACTION BAR              |          | 01 |
| 02   | 1902040223 | PIN HITCH                 |          | 01 |
| 03   | 0521012545 | COUPLING SHAFT            |          | 01 |
| 04   | 0501011301 | 1.1/2 UNC 6FPP 2.5/16 NUT |          | 07 |
| 05   | 0503010010 | 1/4" X 2.1/2" COTTERPIN   |          | 07 |
| 06   | 0511014902 | COUPLING SHAFT            |          | 01 |
| 07   | 0503010571 | 1/4" X 1.1/2 COTTERPIN    |          | 01 |
| 08   | 1902040327 | LOCK SLEEVE               |          | 01 |
| 09   | 1902040732 | COUPLING                  |          | 01 |
| 10   | 0501067250 | UPPER PLATE WITH SUPPORT  |          | 01 |
| 11   | 0511016137 | UPPER /LOWER PLATE        |          | 01 |
| 12   | 0521010779 | 31.75 X 95 COUPLING SHAFT |          | 01 |
| 13   | 0503010523 | 1/4" X 2" COTTERPIN       |          | 01 |
| 14   | 0501016419 | 1-1/2" X 7.5" BOLT        |          | 06 |



| Item | Code       | Description                    | See page | QT |
|------|------------|--------------------------------|----------|----|
| 01   | 0501069483 | WHEEL                          |          | 01 |
| 02   | 0503012112 | 400/60 - 15.5 TR 15 INNER TIRE |          | 01 |
| 03   | 0503013119 | CANVAS TIRE                    |          | 01 |

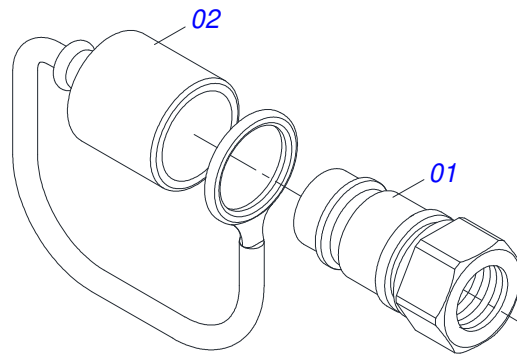


| Item | Code       | Description  | See page | QT |
|------|------------|--------------|----------|----|
| 01   | 0511067334 | HOSE SUPPORT |          | 01 |
| 02   | 0503010014 | 3/4" HEX NUT |          | 02 |
| 03   | 0501010322 | FLAT WASHER  |          | 02 |

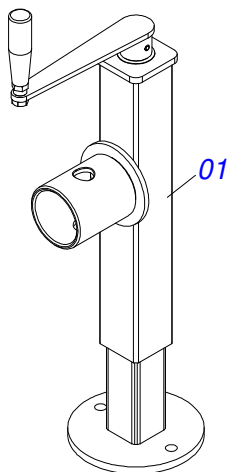


| Item | Code       | Description                 | See page | QT |
|------|------------|-----------------------------|----------|----|
| 01   | 0501080054 | 3/8" X 17" TR-TC HOSE ASSY  |          | 02 |
| 02   | 0501080413 | 3/8" X 27" TR-TC HOSE       |          | 02 |
| 03   | 0501080458 | 3/8" X 315" TC-TM HOSE ASSY |          | 01 |
| 04   | 0501080459 | 3/8" X 322" TC-TM HOSE ASSY |          | 01 |

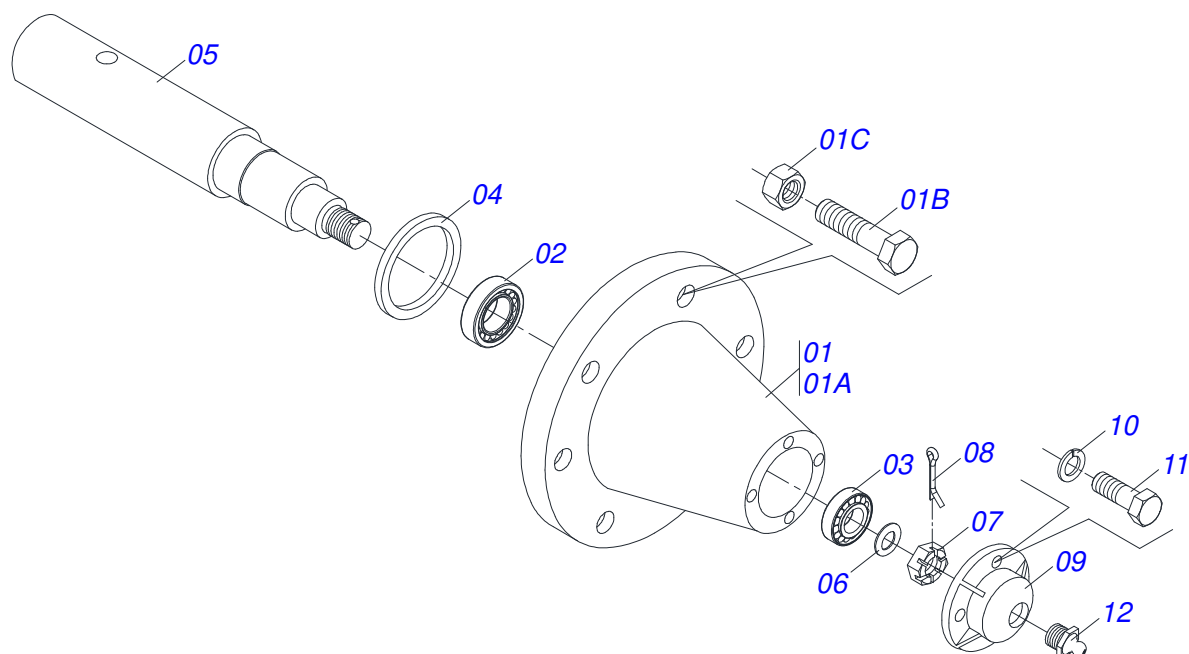




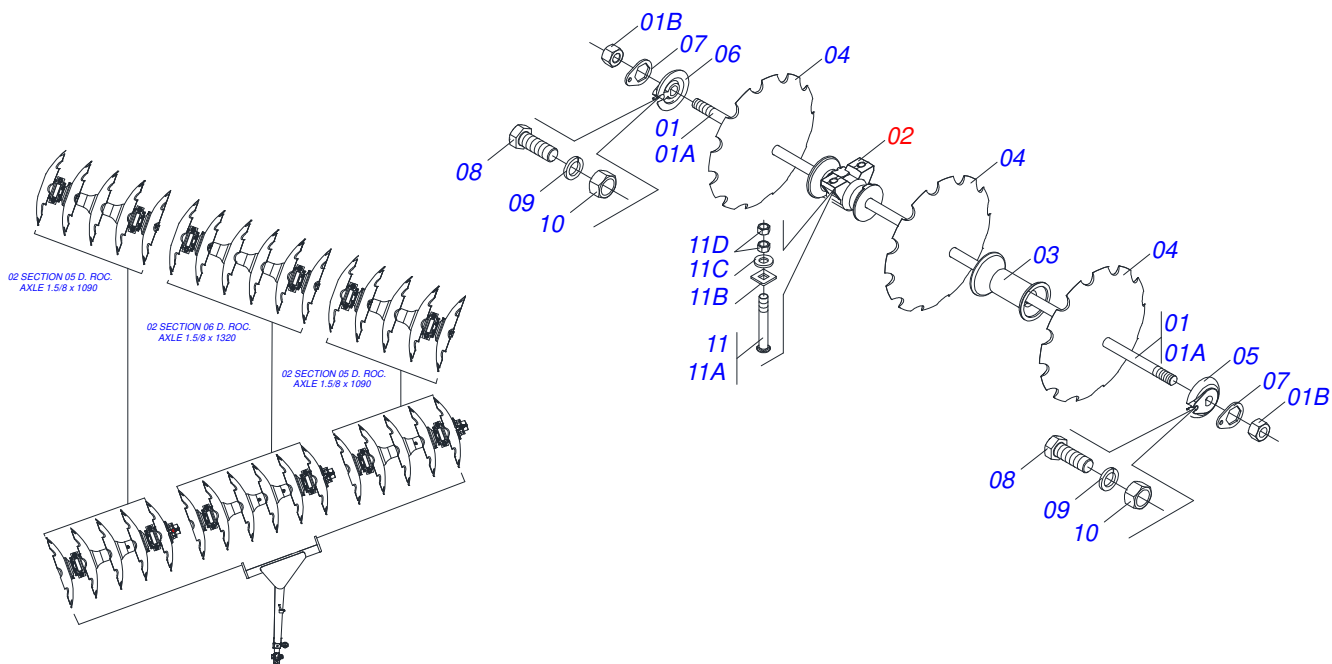
| Item | Code       | Description                    | See page | QT |
|------|------------|--------------------------------|----------|----|
| 01   | 0503011627 | MALE QUICK COUPLER AGR 1/2 NPT |          | 01 |
| 02   | 0503011882 | MALE QUICK COUPLER CAP         |          | 01 |



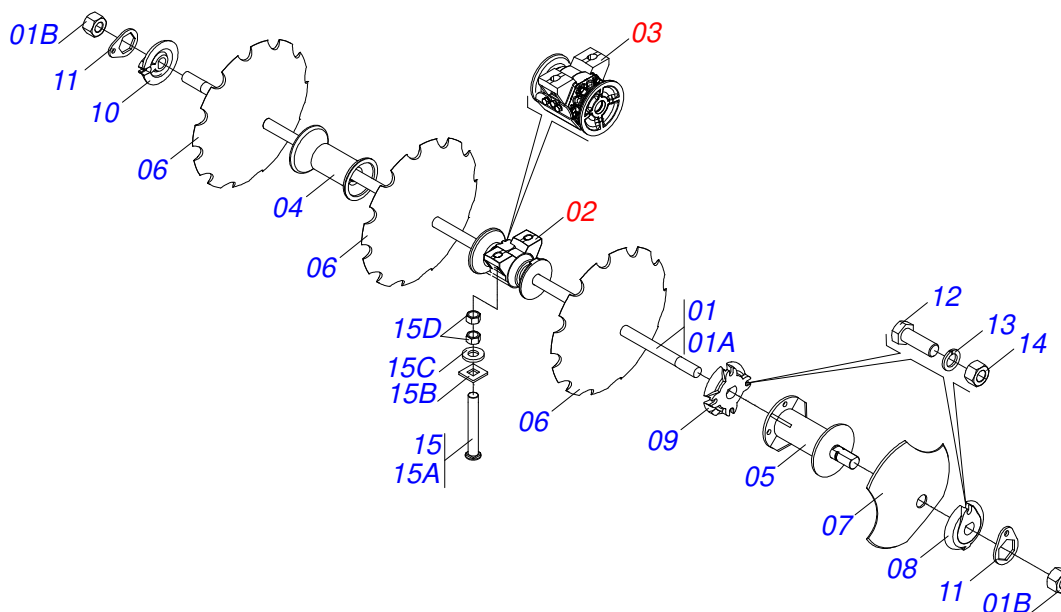
| Item | Code       | Description  | See page | QT |
|------|------------|--------------|----------|----|
| 01   | 0503062227 | DRAWBAR JACK |          | 01 |



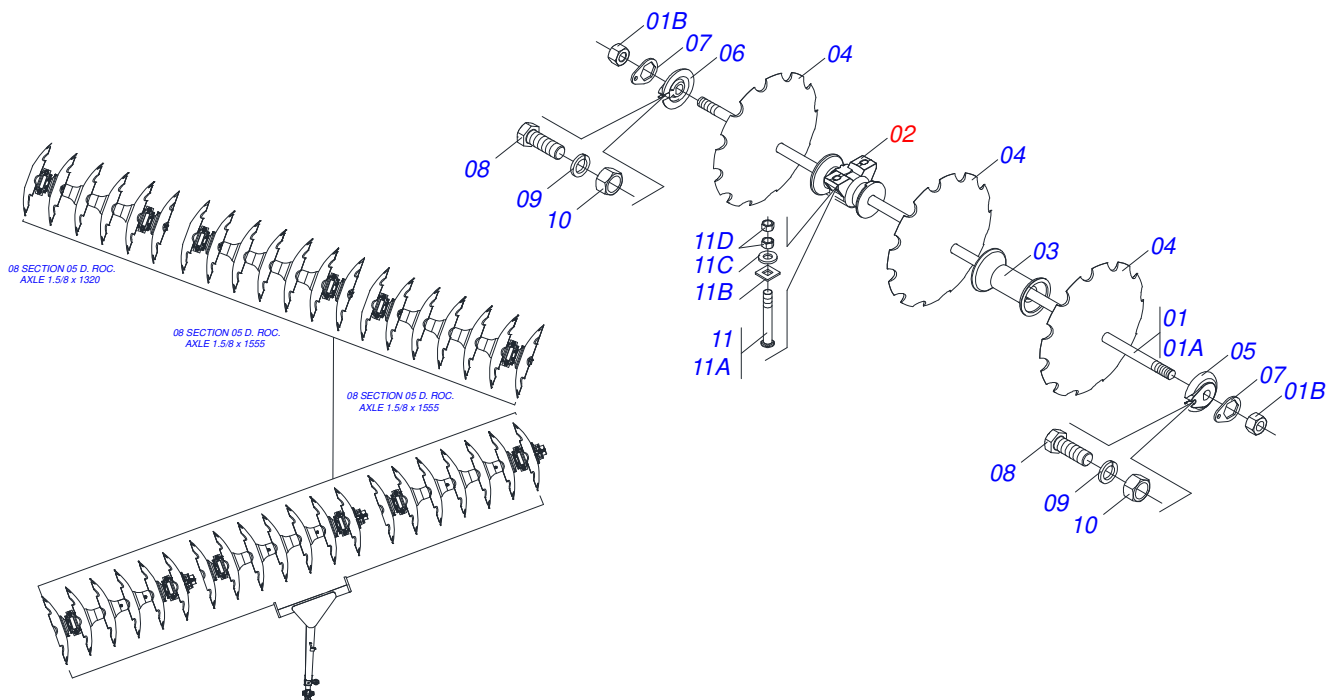
| Item | Code       | Description                           | See page | QT |
|------|------------|---------------------------------------|----------|----|
| 01   | 0501110738 | CARRYING WHEEL HUB                    |          | 01 |
| 01A  | 0502012260 | TRANSPORT WHEEL BOX                   |          | 01 |
| 01B  | 0503010064 | 5/8 UNF CONIC NUT                     |          | 08 |
| 01C  | 0501010186 | WHEEL SCREW 5/8UNF X 2.1/8CR          |          | 08 |
| 02   | 0503011156 | ROLAMENTO 2780/2720 IMP               |          | 01 |
| 03   | 0503010008 | 3780/3720 ROLLER BEARING              |          | 01 |
| 04   | 0503013314 | RETAINER 5166-GB 63,5 X 110 X 13 ARCA |          | 01 |
| 05   | 0511012494 | SPINDLE                               |          | 01 |
| 06   | 0511012492 | FLAT WASHER                           |          | 01 |
| 07   | 0503030009 | 1" CASTLE NUT                         |          | 01 |
| 08   | 0503010018 | 5/32 X 1-1/2 COTTERPIN                |          | 01 |
| 09   | 0502020591 | PROTECCION COVER                      |          | 01 |
| 10   | 0503011444 | SPRING WASHER                         |          | 04 |
| 11   | 0503010358 | 5/16" X 5/8" BOLT                     |          | 04 |
| 12   | 0503010002 | 1800 GREASE FITTING                   |          | 01 |



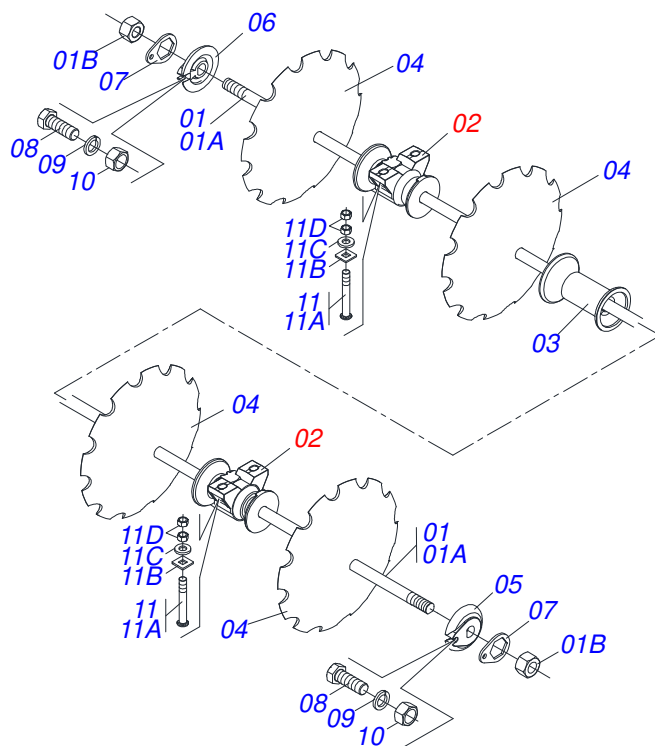
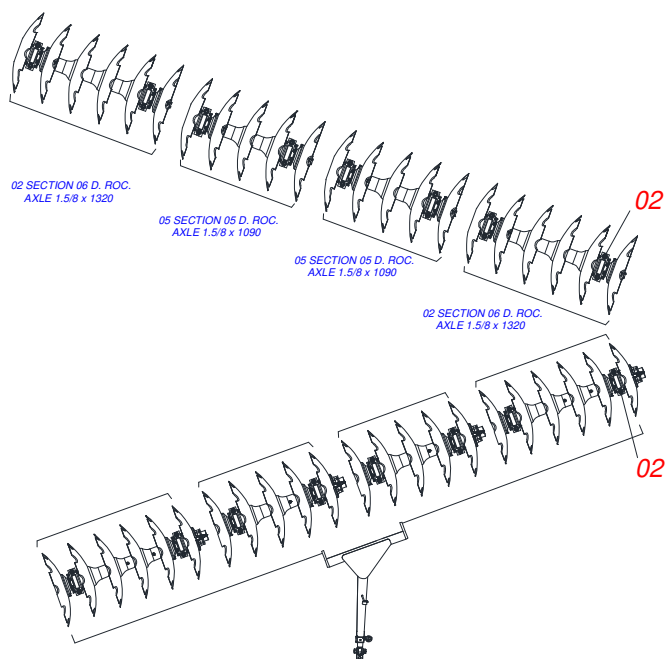
| Item | Code       | Description                         | See page | QT |
|------|------------|-------------------------------------|----------|----|
| 01   | 0501046853 | 1-5/8" X 43" AXLE WITH NUTS 2-3/4   |          | 04 |
| 01.  | 0501046855 | 1-5/8" X 52" AXLE WITH NUTS 2-3/4   |          | 02 |
| 01A  | 0501015029 | 1-5/8" X 43" AXLE                   |          | 04 |
| 01A. | 0501015237 | 1-5/8" X 52" AXLE                   |          | 01 |
| 01B  | 0502040640 | 1.5/8" 2.3/4" NUT                   |          | 02 |
| 02   | 0501043197 | 8.86" X 1-5/8" OIL BATH BEARING     | 19       | 12 |
| 03   | 0502010626 | 8.9" 1-5/8" SPACER                  |          | 14 |
| 04   | 0602037186 | DR28X7,5 C108AF02FR1.11/16 10R TATU |          | 32 |
| 04.  | 0602033005 | 26" X 0.2" NOTCHED DISC BLADE       |          | 32 |
| 05   | 0502011048 | 1-5/8" EXTERNAL AXLE WASHER         |          | 06 |
| 06   | 0502011047 | 1-5/8" INNER AXLE WASHER            |          | 06 |
| 07   | 0511014339 | 1-5/8" 2.8" NUT LOCK                |          | 12 |
| 08   | 0503010232 | 5/8" X 1.3/4" BOLT                  |          | 12 |
| 09   | 0503010027 | 5/8" SPRING WASHER                  |          | 12 |
| 10   | 0503010013 | 5/8" NUT                            |          | 12 |
| 11   | 0511040034 | 3/4" X 3-1/4" BOLT ASSY             |          | 24 |
| 11A  | 0501017303 | 3/4" X 3-1/4" BOLT                  |          | 24 |
| 11B  | 0501010949 | 3/4" SQUARE WASHER                  |          | 24 |
| 11C  | 0501010322 | FLAT WASHER                         |          | 24 |
| 11D  | 0503010014 | 3/4" HEX NUT                        |          | 48 |



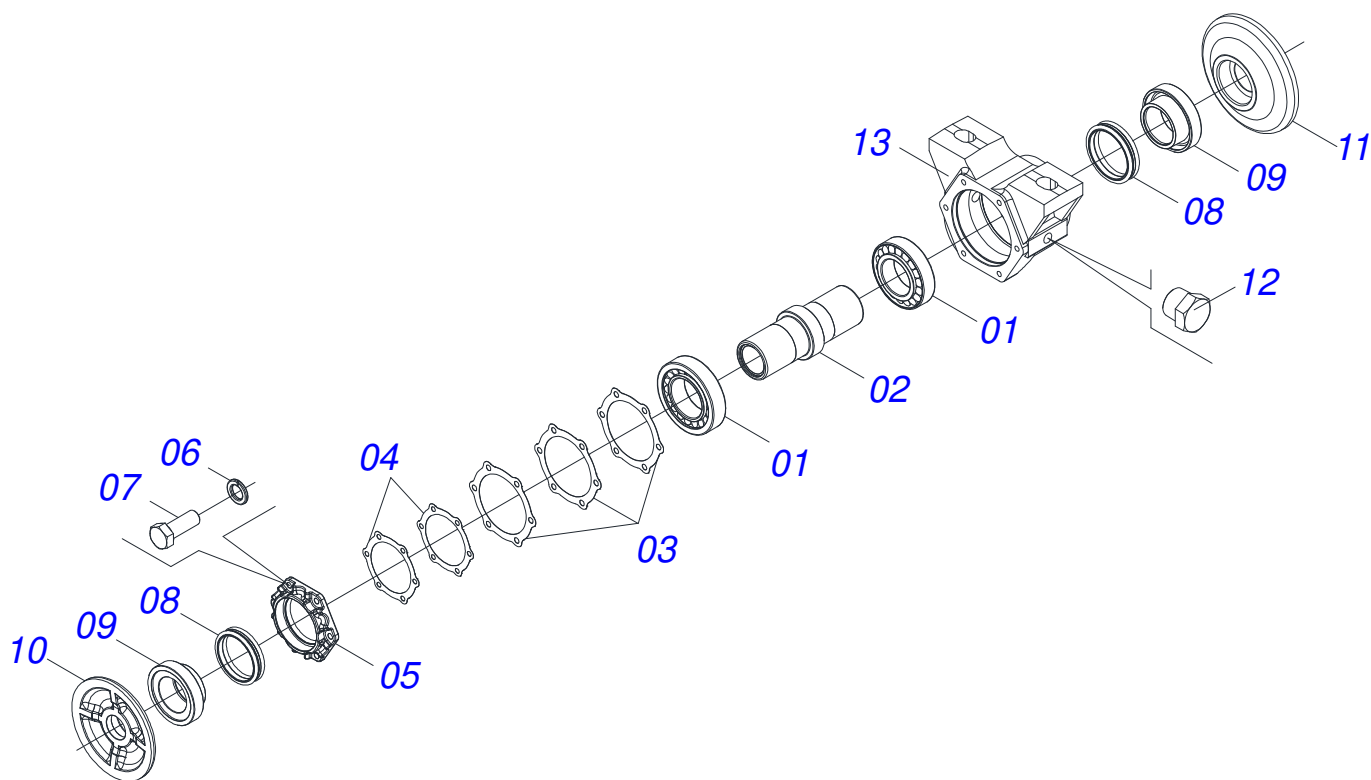
| Item | Code       | Description                         | See page | QT |
|------|------------|-------------------------------------|----------|----|
| 01   | 0501046855 | 1-5/8" X 52" AXLE WITH NUTS 2-3/4   |          | 06 |
| 01A  | 0501015237 | 1-5/8" X 52" AXLE                   |          | 06 |
| 01B  | 0502040640 | 1.5/8" 2.3/4" NUT                   |          | 12 |
| 02   | 0501042963 | 9" X 1-5/8" OIL BATH BEARING        | 20       | 12 |
| 02.  | 0501043197 | 8.86" X 1-5/8" OIL BATH BEARING     | 19       | 12 |
| 03   | 0501048321 | 225MM X 1.5/8" RD. OIL BATH BEARING | 21       | 12 |
| 04   | 0502010626 | 8.9" 1-5/8" SPACER                  |          | 18 |
| 05   | 0511067146 | 10.35" AXLE 1-5/8" SPACER           |          | 01 |
| 06   | 0602033005 | 26" X 0.2" NOTCHED DISC BLADE       |          | 36 |
| 07   | 0602030359 | 24 X 0,2" NOTCHED DISC BLADE        |          | 01 |
| 08   | 0502011048 | 1-5/8" EXTERNAL AXLE WASHER         |          | 06 |
| 09   | 0502012377 | 1-5/8" EXTERNAL AXLE LOK            |          | 01 |
| 10   | 0502011047 | 1-5/8" INNER AXLE WASHER            |          | 06 |
| 11   | 0511014339 | 1-5/8" 2.8" NUT LOCK                |          | 12 |
| 12   | 0503010232 | 5/8" X 1.3/4" BOLT                  |          | 12 |
| 13   | 0503010027 | 5/8" SPRING WASHER                  |          | 12 |
| 14   | 0503010013 | 5/8" NUT                            |          | 12 |
| 15   | 0511040034 | 3/4" X 3-1/4" BOLT ASSY             |          | 24 |
| 15A  | 0501017303 | 3/4" X 3-1/4" BOLT                  |          | 24 |
| 15B  | 0501010949 | 3/4" SQUARE WASHER                  |          | 24 |
| 15C  | 0501010322 | FLAT WASHER                         |          | 24 |
| 15D  | 0503010014 | 3/4" HEX NUT                        |          | 48 |



| Item | Code       | Description                         | See page | QT |
|------|------------|-------------------------------------|----------|----|
| 01   | 0501046855 | 1-5/8" X 52" AXLE WITH NUTS 2-3/4   |          | 02 |
| 01.  | 0501046857 | 1-5/8" X 61" AXLE WITH NUTS 2-3/4"  |          | 04 |
| 01A  | 0501015237 | 1-5/8" X 52" AXLE                   |          | 02 |
| 01A. | 0501015632 | 1-5/8" X 61" AXLE                   |          | 04 |
| 01B  | 0502040640 | 1.5/8" 2.3/4" NUT                   |          | 16 |
| 02   | 0501043197 | 8.86" X 1-5/8" OIL BATH BEARING     | 19       | 12 |
| 03   | 0502010626 | 8.9" 1-5/8" SPACER                  |          | 22 |
| 04   | 0602030005 | 24" X 0.2" NOTCHED DISC BLADE       |          | 40 |
| 04.  | 0602037186 | DR28X7,5 C108AF02FR1.11/16 10R TATU |          | 40 |
| 05   | 0502011048 | 1-5/8" EXTERNAL AXLE WASHER         |          | 06 |
| 06   | 0502011047 | 1-5/8" INNER AXLE WASHER            |          | 06 |
| 07   | 0511014339 | 1-5/8" 2.8" NUT LOCK                |          | 12 |
| 08   | 0503010232 | 5/8" X 1.3/4" BOLT                  |          | 12 |
| 09   | 0503010027 | 5/8" SPRING WASHER                  |          | 12 |
| 10   | 0503010013 | 5/8" NUT                            |          | 12 |
| 11   | 0511040034 | 3/4" X 3-1/4" BOLT ASSY             |          | 24 |
| 11A  | 0501017303 | 3/4" X 3-1/4" BOLT                  |          | 24 |
| 11B  | 0501010949 | 3/4" SQUARE WASHER                  |          | 24 |
| 11C  | 0501010322 | FLAT WASHER                         |          | 24 |
| 11D  | 0503010014 | 3/4" HEX NUT                        |          | 48 |

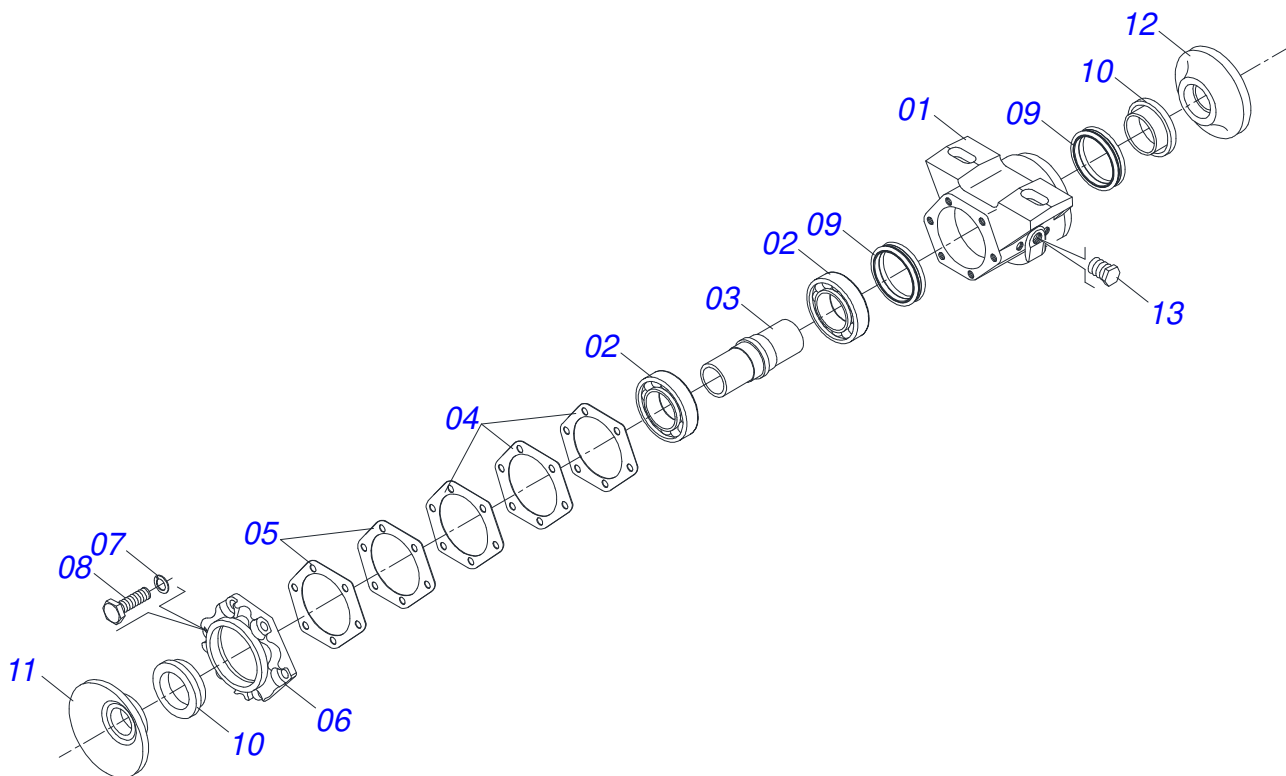


| Item | Code       | Description                       | See page | QT |
|------|------------|-----------------------------------|----------|----|
| 01   | 0501046853 | 1-5/8" X 43" AXLE WITH NUTS 2-3/4 |          | 04 |
| 01.  | 0501046855 | 1-5/8" X 52" AXLE WITH NUTS 2-3/4 |          | 04 |
| 01A  | 0501015029 | 1-5/8" X 43" AXLE                 |          | 04 |
| 01A. | 0501015237 | 1-5/8" X 52" AXLE                 |          | 04 |
| 01C  | 0502040640 | 1.5/8" 2.3/4" NUT                 |          | 16 |
| 02   | 0501043197 | 8.86" X 1-5/8" OIL BATH BEARING   | 19       | 16 |
| 03   | 0502010626 | 8.9" 1-5/8" SPACER                |          | 20 |
| 04   | 0601031076 | 26"X 0.2" PLAIN DISC BLADE        |          | 22 |
| 04.  | 0602030369 | 24" X 0.2" NOTCHED DISC BLADE     |          | 22 |
| 05   | 0502011048 | 1-5/8" EXTERNAL AXLE WASHER       |          | 08 |
| 06   | 0502011047 | 1-5/8" INNER AXLE WASHER          |          | 08 |
| 07   | 0511014339 | 1-5/8" 2.8" NUT LOCK              |          | 16 |
| 08   | 0503010232 | 5/8" X 1.3/4" BOLT                |          | 16 |
| 09   | 0503010027 | 5/8" SPRING WASHER                |          | 16 |
| 10   | 0503010013 | 5/8" NUT                          |          | 16 |
| 11   | 0511040034 | 3/4" X 3-1/4" BOLT ASSY           |          | 32 |
| 11A  | 0501017303 | 3/4" X 3-1/4" BOLT                |          | 32 |
| 11B  | 0501010949 | 3/4" SQUARE WASHER                |          | 32 |
| 11C  | 0501010322 | FLAT WASHER                       |          | 32 |
| 11D  | 0503010014 | 3/4" HEX NUT                      |          | 64 |

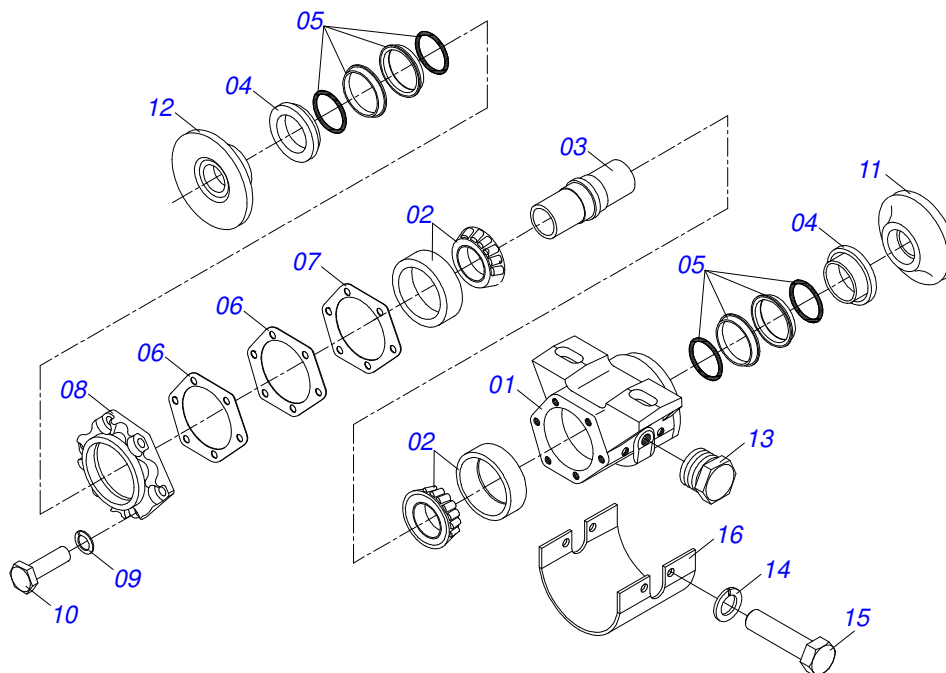


| Item | Code       | Description                 | See page | QT |
|------|------------|-----------------------------|----------|----|
| 01   | 0503010005 | 32212 ROLLER BEARING        |          | 02 |
| 02   | 0502010899 | AXLE CM/DM                  |          | 01 |
| 03   | 0503030030 | 5.6" X 4.4" X 0.01" GASKET  |          | 03 |
| 04   | 0503030685 | 5.5" X 4.4" X 0.003" GASKET |          | 02 |
| 05   | 0502020161 | WEAR PLATE BEARING          |          | 01 |
| 06   | 0503011443 | 3/8" SPRING WASHER          |          | 06 |
| 07   | 0503010237 | 3/8" X 1" BOLT              |          | 06 |
| 08   | 0503030027 | DUO-CONE SEAL               |          | 02 |
| 09   | 0502040287 | SEAL RETAINER               |          | 02 |
| 10   | 0502040239 | OUTER FLANGE                |          | 01 |
| 11   | 0502040240 | INNER FLANGE                |          | 01 |
| 12   | 0503010856 | OIL PLUG                    |          | 02 |
| 13   | 0502020481 | HOUSING DM                  |          | 01 |





| Item | Code       | Description                      | See page | QT |
|------|------------|----------------------------------|----------|----|
| 001  | 0502020446 | HOUSING DM                       |          | 01 |
| 002  | 0503010113 | 30212 ROLLER BEARING             |          | 02 |
| 003  | 0502010639 | AXLE FOR CM/DM                   |          | 01 |
| 004  | 0503031972 | 137 X 113,2 X 0,3 JOINT          |          | 03 |
| 005  | 0503031973 | 137 X 113,2 X 0,1 JOINT          |          | 02 |
| 006  | 0502012445 | BEARING COVER BOX (BOX SLIGHTLY) |          | 01 |
| 007  | 0503011443 | 3/8" SPRING WASHER               |          | 06 |
| 008  | 0503010237 | 3/8" X 1" BOLT                   |          | 06 |
| 009  | 0503030027 | DUO-CONE SEAL                    |          | 02 |
| 010  | 0502010633 | SEAL RETAINER                    |          | 02 |
| 011  | 0502040239 | OUTER FLANGE                     |          | 01 |
| 012  | 0502040240 | INNER FLANGE                     |          | 01 |
| 013  | 0503010856 | OIL PLUG                         |          | 01 |



| Item | Code       | Description                       | See page | QT |
|------|------------|-----------------------------------|----------|----|
| 01   | 0502020636 | 8.8" X 1-5/8" OIL HOUSING BEARING |          | 01 |
| 02   | 0503013496 | 3982/3920 ROLLER BEARING          |          | 02 |
| 03   | 0502010737 | AXLE TK                           |          | 01 |
| 04   | 0502040124 | SEAL RETAINER                     |          | 02 |
| 05   | 0503030027 | DUO-CONE SEAL                     |          | 02 |
| 06   | 0503030030 | 5.6" X 4.4" X 0.01" GASKET        |          | 02 |
| 07   | 0503030685 | 5.5" X 4.4" X 0.003" GASKET       |          | 01 |
| 08   | 0502020161 | WEAR PLATE BEARING                |          | 01 |
| 09   | 0503011443 | 3/8" SPRING WASHER                |          | 06 |
| 10   | 0503010237 | 3/8" X 1" BOLT                    |          | 06 |
| 11   | 0502040240 | INNER FLANGE                      |          | 01 |
| 12   | 0502040239 | OUTER FLANGE                      |          | 01 |
| 13   | 0503010856 | OIL PLUG                          |          | 02 |
| 14   | 0503010019 | 1/2" SPRING WASHER                |          | 04 |
| 15   | 0503011401 | 1/2" X 3/4" BOLT                  |          | 04 |
| 16   | 0581013547 | PROTECTION COVER BEARING          |          | 01 |
| 17   | 3402301247 | MINERAL OIL GREASE                |          | 00 |





**MARCHESAN**

**Technical Publications | Elaboration and Revision**  
JOSÉ DOMINGOS GASPARI

[www.marchesan.com.br](http://www.marchesan.com.br)

