

SUBSOILER PLOW

AST

Code: 0501091033
Series: S-0695
Revision: 00
Date Revision: OUTUBRO/2017

PARTS CATALOGUE



MARCHESAN



PRODUCTS

Code	Description	
0101110023	AST 11/9 S/RODA	S-0695
0101110001	AST 3/3	S-0695
0101110010	AST 3/3 S/RODA	S-0695
0101110002	AST 5/3	S-0695
0101110002C	AST 5/3 EXP	S-0695
0101110020	AST 5/3 S/RODA	S-0695
0101110003	AST 5/5	S-0695
0101110003C	AST 5/5	S-0695 EXP
0101110009	AST 5/5 S/RODA PROF	S-0695
0101110004	AST 9/5	S-0695
0101110012	AST 9/5 S/RODA	S-0695
0101110005	AST 9/7	S-0695
0101110016	AST 9/7 C/ROLO	S-0695
0101110006	AST 9/9	S-0695
0101110006C	AST 9/9 EXP	S-0695
0101110014	AST 9/9 S/RODA	S-0695
0101110014C	AST 9/9 S/RODA	EXP S-0695
0101110008	AST 11/11	S-0695
0101110008C	AST 11/11 EXP	S-0695
0101110015	AST 11/5	S-0695
0101110013	AST 11/7	S-0695
0101110007	AST 11/9	S-0695
0101110007C	AST 11/9 EXP	S-0695
0101110001C	AST 3/3 EXP	S-0695
0101110005C	AST 9/7 EXPOT	S-0695
0101110011	AST 9/7 S/RODA	S-0695
0101110011C	AST 9/7 S/RODA	EXP S-0695

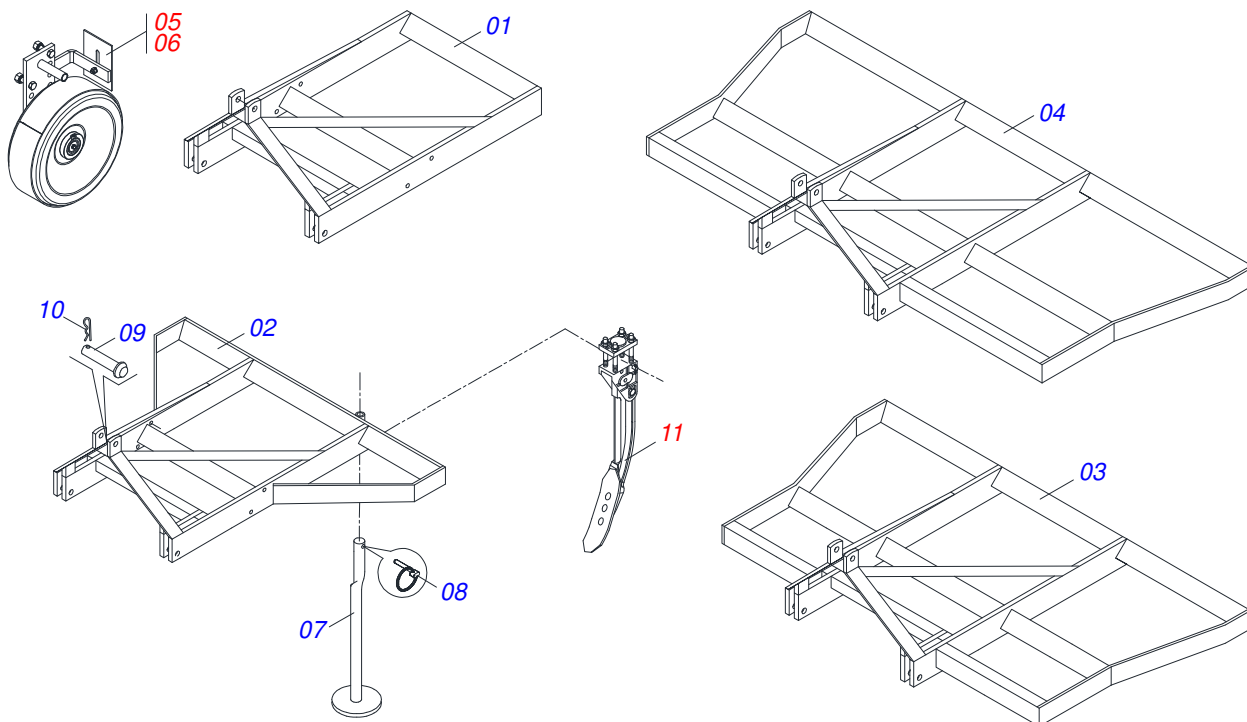
ATTENTION: IMPORTANT

Marchesan S.A. reserves the right to improve and / or modify the technical features of its products, without obligation to do the same with those products already sold and without prior knowledge of the dealer or the consumer.

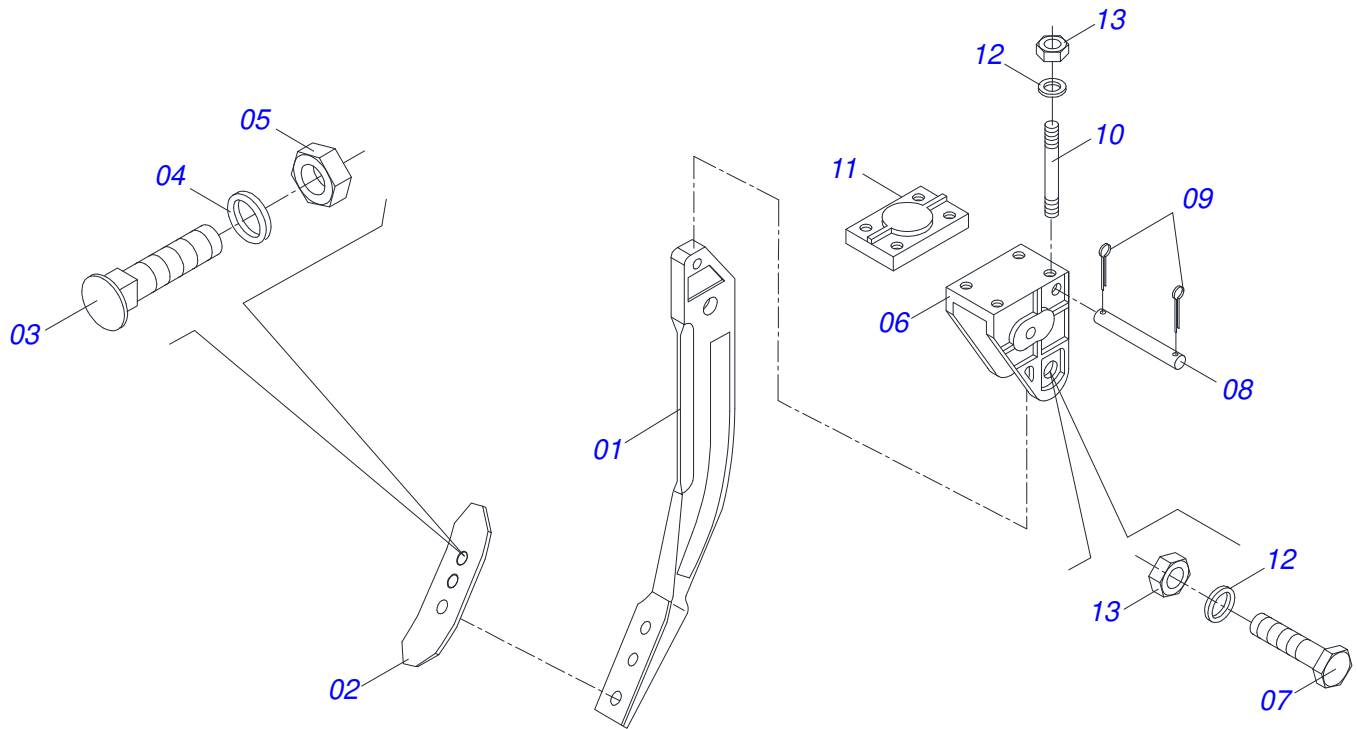


INDEX

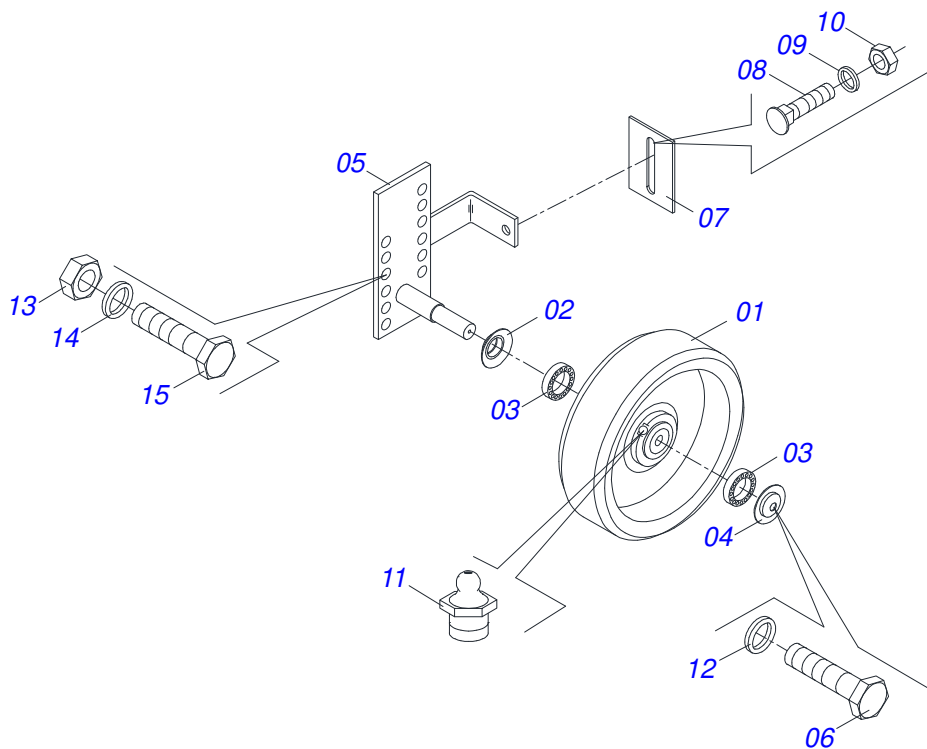
0909094690	ASSY FRAME	1
0501051550	ARM ASSY	2
0501047840	RIGTH DEPTH CONTROL ASSY	3
0501047841	LEFT DEPTH CONTROL ASSY	4



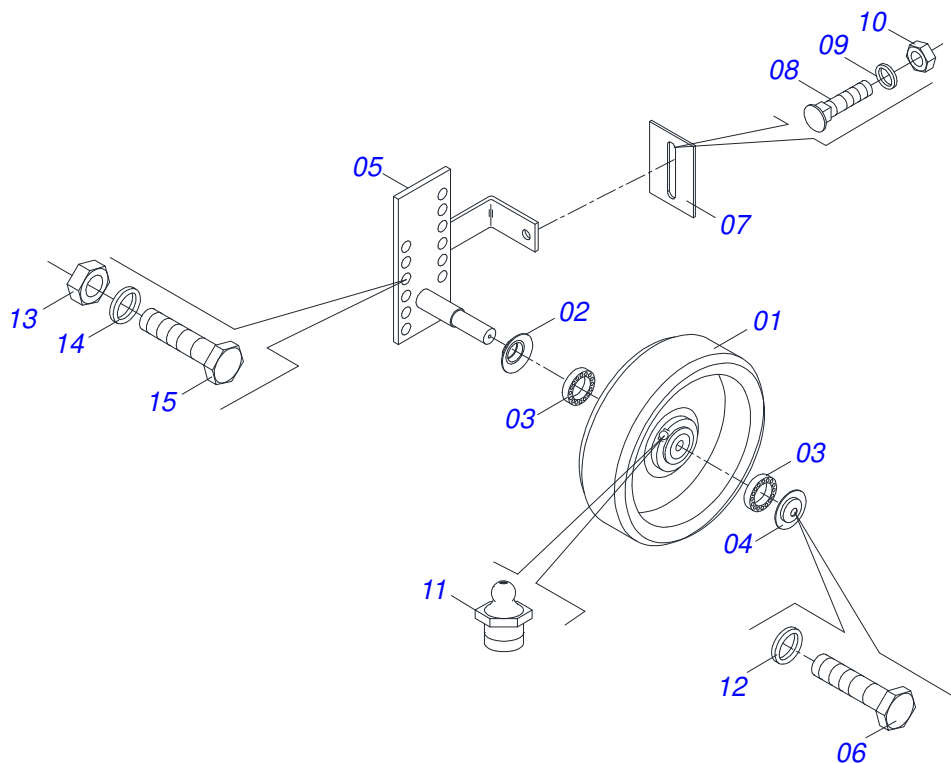
Item	Code	Description	See page	03 05 09 11
01	0501062566	FRAME AST 3/3		01 00 00 00
02	0501062427	FRAME AST 5/3 - 5/5		00 01 00 00
03	0501062564	FRAME AST 9/5 - 9/7 - 9/9		00 00 01 00
04	0501062934	FRAME AST 11/9 - 11/11		00 00 00 01
05	0501047840	RIGTH DEPTH CONTROL ASSY	3	01 01 01 01
06	0501047841	LEFT DEPTH CONTROL ASSY	4	01 01 01 01
07	0501062412	PLOUGH SUPPORT 725		01 01 01 01
08	0503030085	LOCK PIN		01 01 01 01
09	0521010578	COUPLING SHAFT		03 03 03 03
10	0503031035	HAIR PIN		03 03 03 03
11	0501051550	ARM ASSY	2	03 05 09 11



Item	Code	Description	See page	QT
001	0502040714	ARM AST		01
002	0624010005	POINT SUBSOILER 16"X3"X1/2" E019		01
003	0503012956	1/2" X 1-1/2" BOLT		03
004	0503011440	SPRING WASHER		03
005	0503012682	1/2" BSW NUT		03
006	0502010388	SUPPORT FIXER SHANKS		01
007	0501013713	7/8" X 3-1/2" BOLT		01
008	0521010554	0.5" X 4.1" COUPLING SHAFT		01
009	0503010071	3/16" X 1" COTTERPIN		02
010	0521010088	PRISONER R7/8 UNF X R7/8 UNF X 195		04
011	0502010387	FIXER SHANKS PLATE		01
012	0503011447	SPRING WASHER		05
013	0503010558	7/8" NUT		05



Item	Code	Description	See page	QT
001	0501063799	WHEEL	01	01
002	0501017454	2.8" X 1.4" X 0.75" DUST CLOAK	01	01
003	0503010816	6207 RS ROLLER BEARING	02	02
004	0501017455	2.8" X 0.4" X 0.75" DUST CLOAK	01	01
005	0501063800	RIGHT WHEEL SUPPORT	01	01
006	0503010256	3/8" X 3/4" BOLT	01	01
007	0501013138	SCRAPER	01	01
008	0501010243	1/2" X 1-1/2" BOLT	01	01
009	0503011440	SPRING WASHER	01	01
010	0503012682	1/2" BSW NUT	01	01
011	0503010691	1/4" GREASE FITTING	01	01
012	0503011443	3/8" SPRING WASHER	01	01
013	0503010014	3/4" NUT	02	02
014	0503010023	3/4" SPRING WASHER	02	02
015	0501010500	3/4"X3"BOLT	02	02



Item	Code	Description	See page	QT
001	0501063799	WHEEL		01
002	0501017454	2.8" X 1.4" X 0.75" DUST CLOAK		01
003	0503010816	6207 RS ROLLER BEARING		02
004	0501017455	2.8" X 0.4" X 0.75" DUST CLOAK		01
005	0501063801	LEFT WHEEL SUPPORT		01
006	0503010256	3/8" X 3/4" BOLT		01
007	0501013138	SCRAPER		01
008	0501010243	1/2" X 1-1/2" BOLT		01
009	0503011440	SPRING WASHER		01
010	0503012682	1/2" BSW NUT		01
011	0503010691	1/4" GREASE FITTING		01
012	0503010023	3/4" SPRING WASHER		02
013	0503010014	3/4" NUT		02
014	0503011443	3/8" SPRING WASHER		01
015	0501010500	3/4"X3"BOLT		02



MARCHESAN

Technical Publications | Elaboration and Revision

JOSÉ DOMINGOS GASPARI

www.marchesan.com.br

