

DISK PLOWIMOLDBOARD PLOWITERRACING PLOW

AR - 03D

Code: 0501091032
Series: S-0792
Revision: 00
Date Revision: JUNHO/2021

PARTS CATALOGUE



MARCHESAN



PRODUCTS

Code	Description
0101030013	AR 3 X 26" CAT I S-0792
0101030011	AR 3 X 26" X 4,75 S-0792
0101030003	AR 3 X 26" X 4,75 DR S-0792
0101030012	AR 3 X 28" X 6,00 S-0792
0101030005	AR 3 X 28" X 6,00 DR S-0792

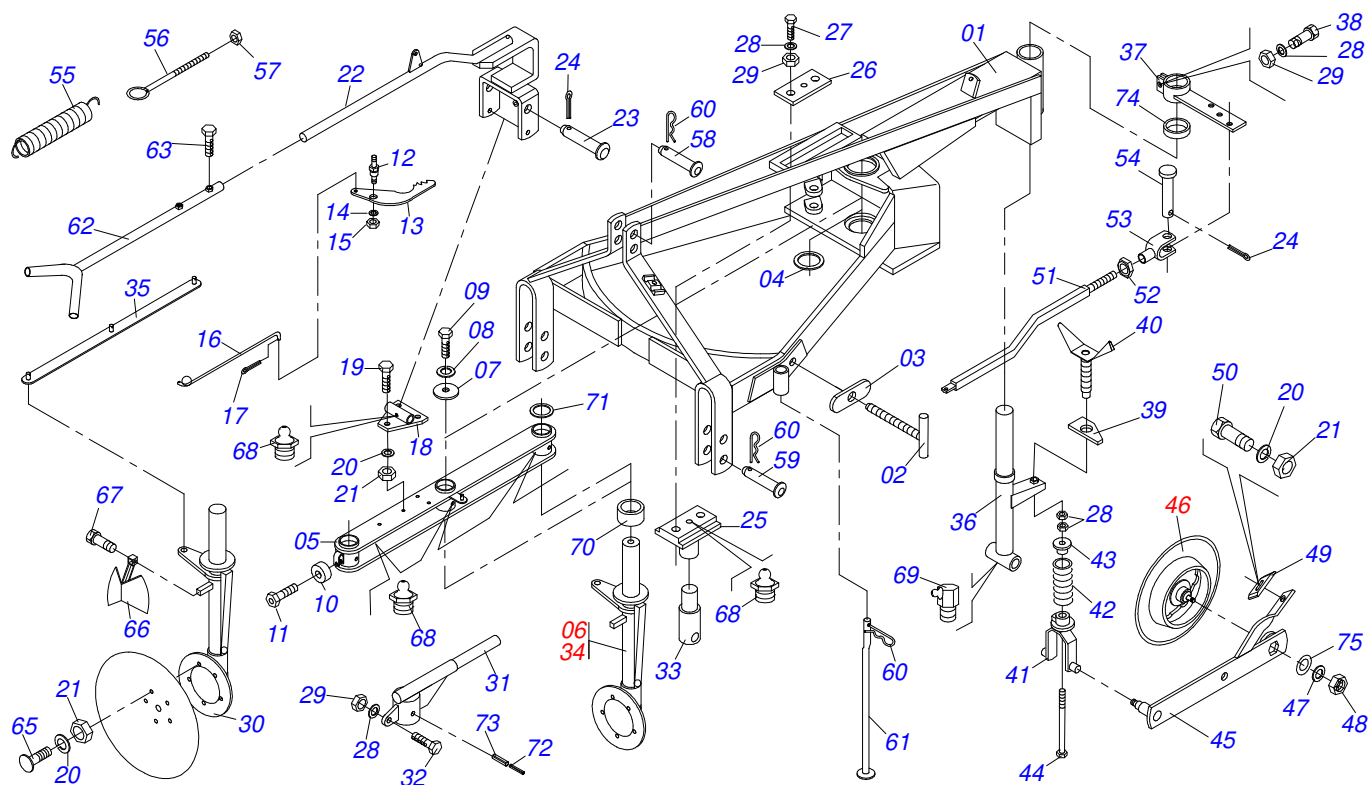
ATTENTION: IMPORTANT

Marchesan S.A. reserves the right to improve and / or modify the technical features of its products, without obligation to do the same with those products already sold and without prior knowledge of the dealer or the consumer.



INDEX

0909090056	ASSY FRAME	1
0501043789	FURROW WHEEL ASSY	2
0501046490	CENTRAL PLOUGH SUPPORT	3
0501046491	FRONT PLOUGH SUPPORT	4
0501046492	REAR PLOUGH SUPPORT ASSY	5
0501043464	1.5" X 2.5" X 13" X 5.7" HYDRAULIC CYLINDER	6



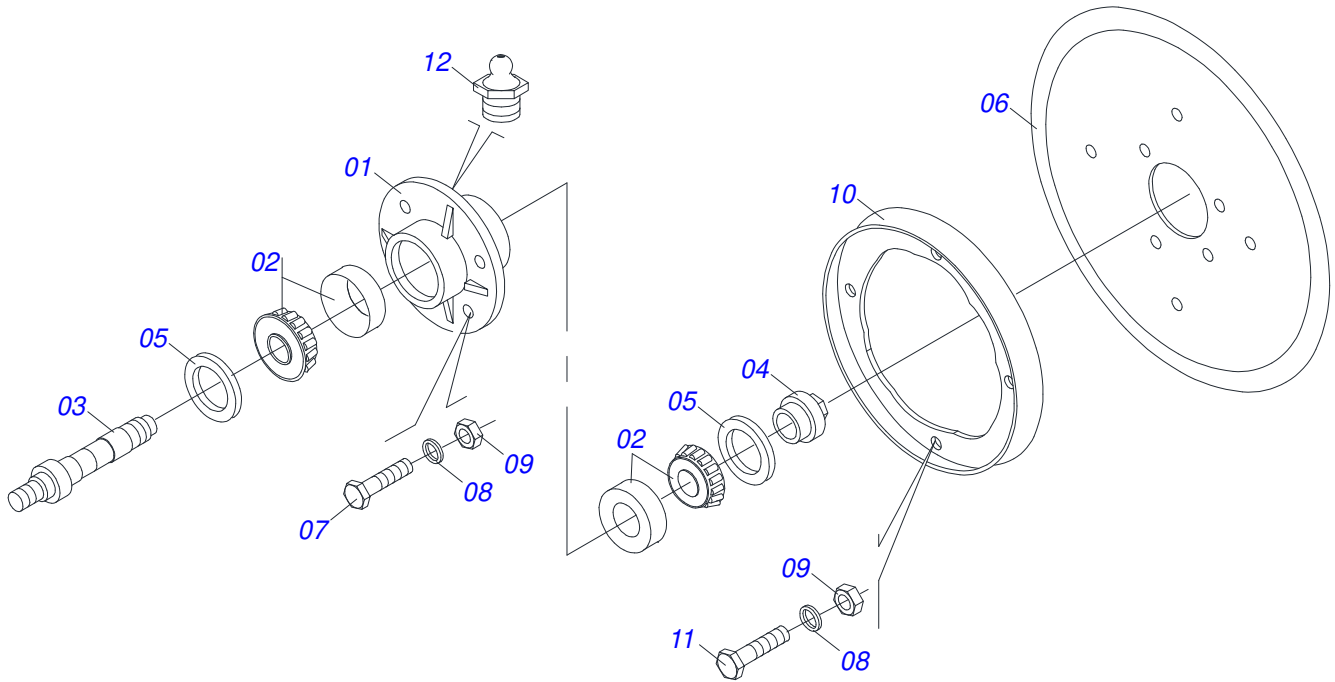
Item	Code	Description	See page	QT
01	0501063342	FRAME		01
02	0501061109	BOLT		02
03	0501016857	LOCK LOCKNUT		02
04	0501016206	FLAT WASHER		01
05	0501063343	REVERSIBLE FRAME TUBE		01
06	0501046490	CENTRAL PLOUGH SUPPORT	3	01
07	0501016854	FLAT WASHER		01
08	0503010023	3/4" SPRING WASHER		01
09	0501011544	3/4" X 1-1/2" BOLT		01
10	0501010721	PULLEY		01
11	0501016208	AXLE PULLEY		01
12	0501016209	3/4" X 3/4" X 4.3" STUD		01
13	0501016210	MOVABLE SYSTEM LOCK		02
14	0501010322	FLAT WASHER		01
15	0503010014	3/4" NUT		02
16	0501016211	LEFT LOCK ROD		01
16.	0501017345	RIGHT LOCK ROD		01
17	0503010297	5/32" X 1.1/4" COTTER PIN		04
18	0501063344	LEVER SUPPORT		01
19	0501010077	1/2" X 2" BOLT		03
20	0503010019	1/2" SPRING WASHER		20
21	0503010020	1/2"NUT		20
22	0501063345	SUPPORT CABLE LEVER		01
23	0521010588	0.9" X 7.0" COUPLING SHAFT		01
24	0503010018	5/32 X 1-1/2 COTTERPIN		02
25	0501061106	REGULATOR SPEED		01
26	0501010717	FIXER REGULATOR SPEED		01
27	0501010100	SCREW 5/8 UNC X 2 CS G.5 ZN		02
28	0503010027	5/8" SPRING WASHER		01
29	0503010013	5/8" NUT		06
30	0501046491	FRONT PLOUGH SUPPORT	4	01



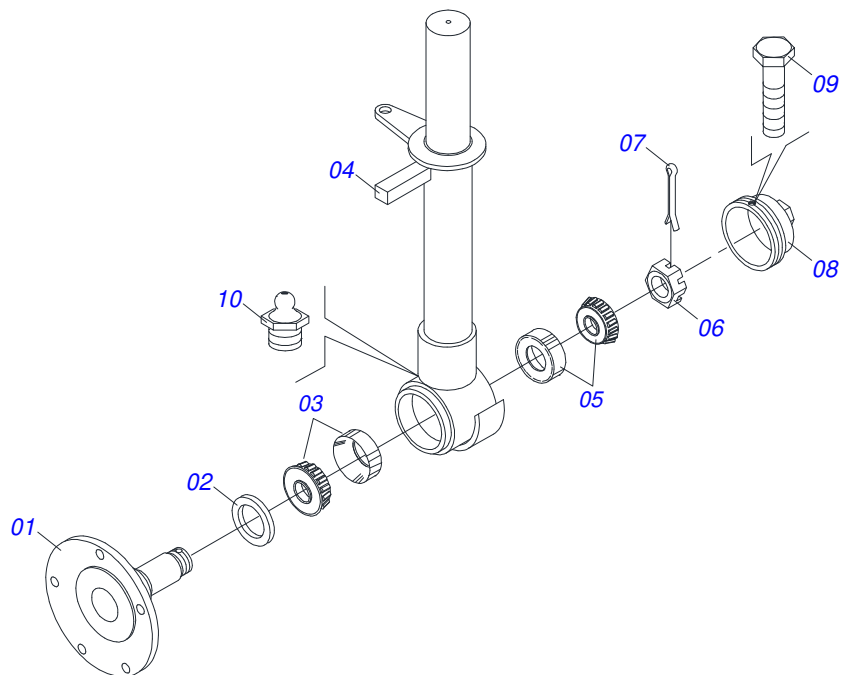
AR - 03D
ASSY FRAME

Page 1
0909090056

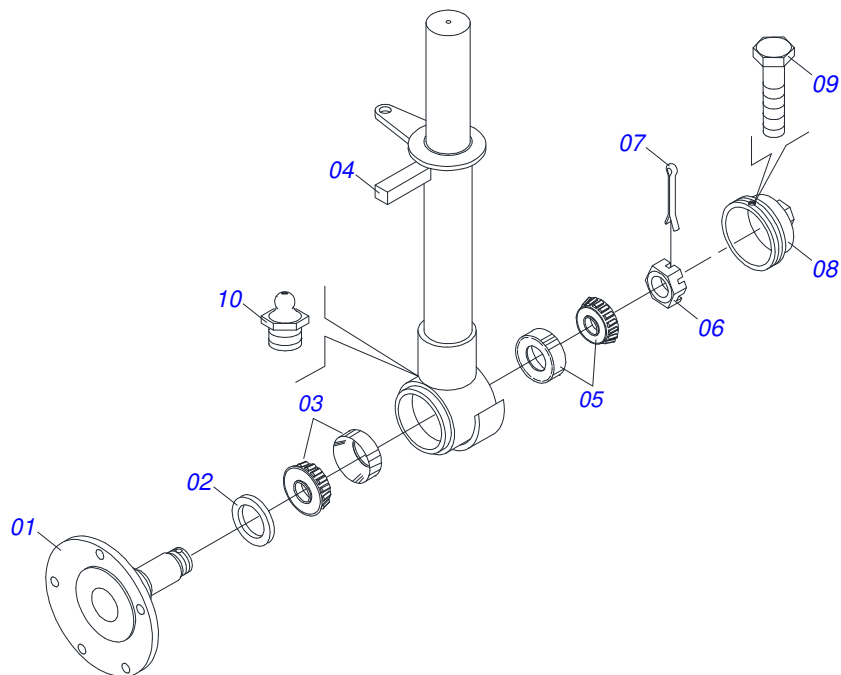
Item	Code	Description	See page	QT
31	0501065762	AXLE TRANSMISSION SPEED		01
32	0503010233	5/8" X 2-1/2" BOLT		01
33	0501010718	GUIDE AXLE TRANSMITTER		01
34	0501046492	REAR PLOUGH SUPPORT ASSY	5	01
35	0501063348	HOLDER BAR		01
36	0501065497	PLOUGH SUPPORT FURROW WHEEL		01
37	0501065399	REVERSIBLE ARM		01
38	0501010512	5/8" X 3-3/8" BOLT		01
39	0501010190	LOCK LOCKNUT		01
40	0501060107	REGULATOR BOLT		01
41	0501063497	FORK SPRING		01
42	0503030441	12.7" X 5.7" X 0.5"SPRING		01
43	0502040302	SPRING SUPPORT		01
44	0501060108	5/8" X 5/8" X 16.9" STUD		01
45	0501065202	LEFT ARM FURROW WHEEL		01
45.	0501065203	RIGHT ARM FURROW WHEEL		01
46	0501043789	FURROW WHEEL ASSY	2	01
47	0503010012	1" SPRING WASHER		03
48	0503010340	1" NUT		03
49	0511010353	DISC SCRAPER		02
50	0501010102	1/2" X 1-1/4" BOLT		02
51	0501016214	CABLE REVERSIBLE ARM		01
52	0501010059	1.5/8 NUT		01
53	0501061105	CABLE REGULATOR		01
54	0521010561	0.7" X 2.0" COUPLING SHAFT		01
55	0503030024	1.7" X10.2" X 0.2" EXTENSION SPRING		01
56	0501010719	AIR TURNBUCKLE		01
57	0503010026	3/8" NUT		02
58	0521010578	COUPLING SHAFT		01
59	0521010595	1.1" X 4.3" COUPLING SHAFT		02
60	0503031035	HAIR PIN		04
61	0501060121	PLOUGH SUPPORT 860 AR		01
62	0501063346	CABLE LEVER		01
63	0503010237	3/8" X 1" BOLT		02
64	0601036001	24"X 0.2" PLAIN DISC BLADE		03
64.	0601039002	28" X 0.2" PLAIN DISC BLADE		03
65	0501010078	1/2" X 1-1/2" BOLT		15
66	0501063495	DISC SCRAPER		03
67	0501010161	1/2" X 1.1/4" BOLT		03
68	0503010002	1800 GREASE FITTING		12
69	0503010004	1890 GREASE FITTING		01
70	0502040720	2.9" X 3.6" X 2" SLEEVE		01
71	0501010723	FLAT WASHER		01
72	0503010928	0.4" X 4" SPRING PIN		01
73	0503010927	0.6" X 3.9" SPRING PIN		01
74	0511010927	2.9" X 2.4" X 0.6" BUSHING		01
75	0501011445	FLAT WASHER		02



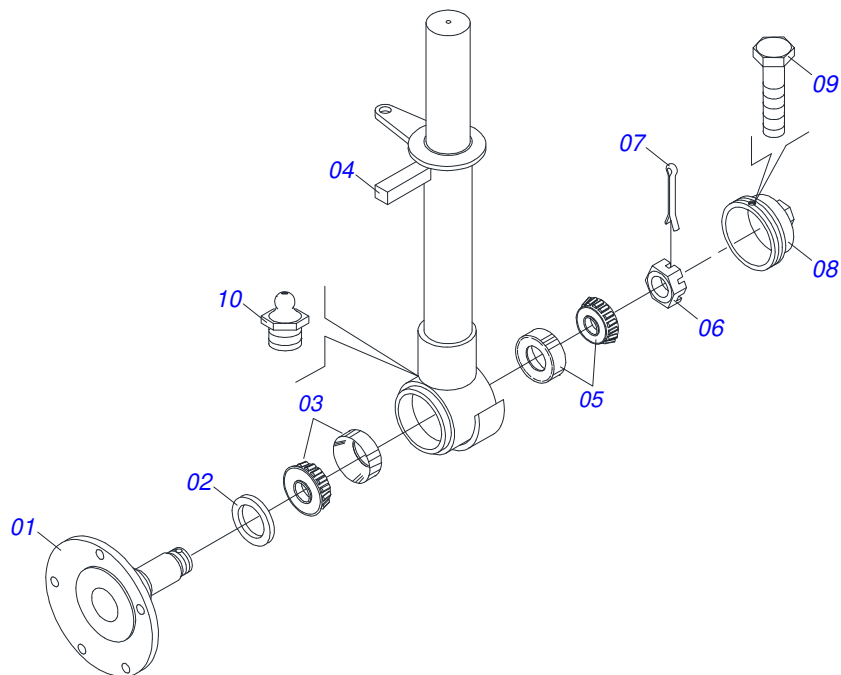
Item	Code	Description	See page	QT
01	0502020601	FURROW WHEEL HUB		01
02	0503010745	BEARING 25877/25821		02
03	0511010396	HUB AXLE		01
04	0502040587	ADJUSTMENT NUT		01
05	0503010279	SEAL		02
06	0603027058	20"X 0.2" FLAT PLAIN DISC		01
07	0501010063	1/2" X 1-1/2" BOLT		08
08	0503010019	1/2" SPRING WASHER		08
09	0503010060	1/2" NUT		04
10	0502020028	FURROW WHEEL FLANGE		02
11	0503010238	BOLT 1/2 UNC X 1.3/4 CS G.2 ZN		04
12	0503010002	1800 GREASE FITTING		01



Item	Code	Description	See page	QT
001	0502040091	DISC DISH FOR AF		01
002	0503011866	SEAL 00573-B WITH HOLE		01
003	0503010005	32212 ROLLER BEARING		01
004	0501067344	CENTRAL PLOUGH SUPPORT		01
005	0503010006	32210 ROLLER BEARING		01
006	0501010888	1.3/4" 2.5/16" CASTLE NUT		01
007	0503010010	1/4" X 2.1/2" COTTERPIN		01
008	0502020597	COVER		01
009	0503010358	5/16" X 5/8" BOLT		01
010	0503010002	1800 GREASE FITTING		01

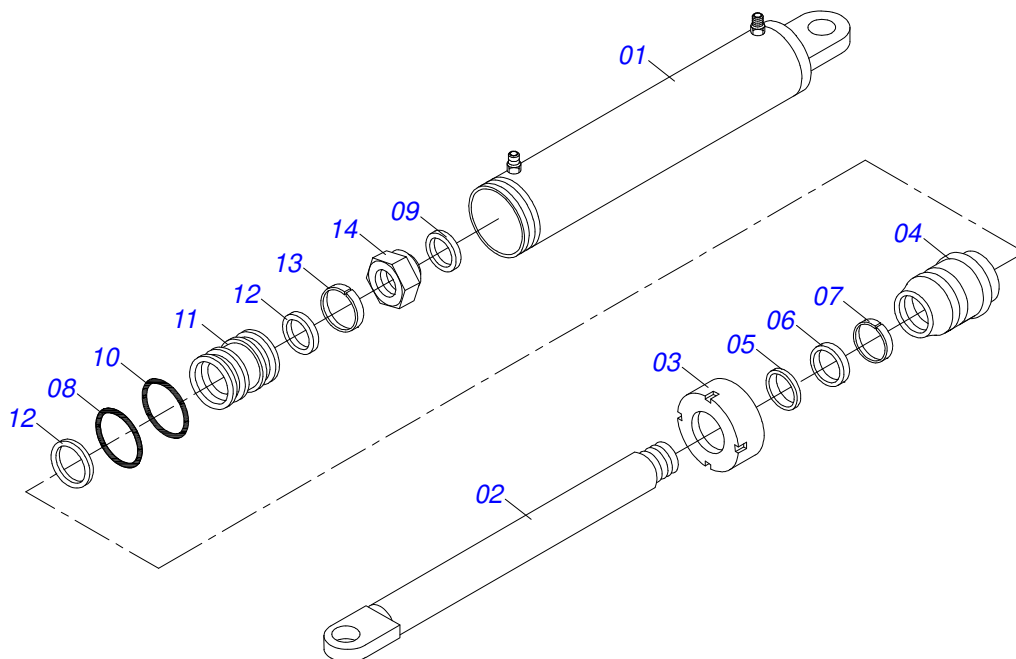


Item	Code	Description	See page	QT
001	0502040091	DISC DISH FOR AF		01
002	0503011866	SEAL 00573-B WITH HOLE		01
003	0503010005	32212 ROLLER BEARING		01
004	0501067345	FRONT PLOUGH SUPPORT		01
005	0503010006	32210 ROLLER BEARING		01
006	0501010888	1.3/4" 2.5/16" CASTLE NUT		01
007	0503010010	1/4" X 2.1/2" COTTERPIN		01
008	0502020597	COVER		01
009	0503010358	5/16" X 5/8" BOLT		01
010	0503010002	1800 GREASE FITTING		01



Item	Code	Description	See page	QT
001	0502040091	DISC DISH FOR AF		01
002	0503011866	SEAL 00573-B WITH HOLE		01
003	0503010005	32212 ROLLER BEARING		01
004	0501067346	REAR PLOUGH SUPPORT		01
005	0503010006	32210 ROLLER BEARING		01
006	0501010888	1.3/4" 2.5/16" CASTLE NUT		01
007	0503010010	1/4" X 2.1/2" COTTERPIN		01
008	0502020597	COVER		01
009	0503010358	5/16" X 5/8" BOLT		01
010	0503010002	1800 GREASE FITTING		01

1.5" X 2.5" X 13" X 5.7" HYDRAULIC CYLINDER



Item	Code	Description	See page	QT
01	0501065175	2.5" X 11.5" CYLINDER CASE		01
02	0501069826	HYDRAULIC CYLINDER TURNBUCKLE		01
03	0502010471	MOBILE COVER		01
04	0502010780	RING SUPPORT		01
05	0503010163	D-1500 SCRAPER RING		01
06	0503010989	1870-1500-375-B GASKET		01
07	0503010970	W1-1650-500 PK O'RING G.E		01
08	0503011058	8-330 BACK-UP RING		01
09	0503010161	2-330 N 3006 9B O'RING		01
10	0503010285	2-222 N 3006-9B O'RING		01
11	0502010783	1.5" X 2.5" PISTON		01
12	0503010160	2500 2000 GASKET		02
13	0503010973	W2-2500-500 PK O'RING G.E		01
14	0503010063	1" SELF-ALIGNING NUT		01
15	0501032666	HYDRAULIC CYLINDER REPAIR KIT		01



MARCHESAN

Technical Publications | Elaboration and Revision

JOSÉ DOMINGOS GASPARI

www.marchesan.com.br

