

DISK PLOWIMOLDBOARD PLOWITERRACING PLOW

AF

Code: 0501091031
Series: S-1181
Revision: 00
Date Revision: FEVEREIRO/2014

PARTS CATALOGUE



MARCHESAN



PRODUCTS

Code	Description	
0101010003	AF 2 X 26 X 4,75 C/R	S-1181
0101010001	AF 2 X 26 X 4,75 S/R	S-1181
0101010054	AF 2 X 26 X 6,00 C/R	S-1181
0101010019	AF 2 X 26 X 6,00 C/R DR	S-1181
0101010053	AF 2 X 26 X 6,00 S/R	S-1181
0101010017	AF 2 X 26 X 6,00 S/R DR	S-1181
0101010004	AF 2 X 28 X 6,00 C/R	S-1181
0101010002	AF 2 X 28 X 6,00 S/R	S-1181
0101010045	AF 3 S/DISCOS E S/RODA	S-1181
0101010007	AF 3 X 26 X 4,75 C/R	S-1181
0101010005	AF 3 X 26 X 4,75 S/R	S-1181
0101010044	AF 3 X 26 X 6,00 C/R	S-1181
0101010044C	AF 3 X 26 X 6,00 C/R	S-1181 EXP
0101010024	AF 3 X 26 X 6,00 C/R DR	S-1181
0101010021	AF 3 X 26 X 6,00 S/R	S-1181
0101010028	AF 3 X 26 X 6,00 S/R DR	S-1181
0101010008	AF 3 X 28 X 6,00 C/R	S-1181
0101010006	AF 3 X 28 X 6,00 S/R	S-1181
0101010029	AF 3 X 28 X 6,00 S/R DR	S-1181
0101010046	AF 4 S/DISCOS E S/RODA	S-1181
0101010011	AF 4 X 26 X 4,75 C/R	S-1181
0101010009	AF 4 X 26 X 4,75 S/R	S-1181
0101010043	AF 4 X 26 X 6,00 C/R	S-1181
0101010047	AF 4 X 26 X 6,00 S/R	S-1181
0101010012	AF 4 X 28 X 6,00 C/R	S-1181
0101010034	AF 4 X 28 X 6,00 C/R DR	S-1181
0101010010	AF 4 X 28 X 6,00 S/R	S-1181
0101010056	AF 4 X 28 X 6,00 S/R DR	S-1181
0101010022	AF 4 X 28 X 7,50 S/R	S-1181
0101010020	AF 4 X 28" X 6,00 S/R KE	S-1181

ATTENTION: IMPORTANT

Marchesan S.A. reserves the right to improve and / or modify the technical features of its products, without obligation to do the same with those products already sold and without prior knowledge of the dealer or the consumer.



PRODUCTS

0101010048	AF 5 S/DISCOS E S/RODA	S-1181
0101010015	AF 5 X 26 X 4,75 C/R	S-1181
0101010037	AF 5 X 26 X 4,75 C/R DR	S-1181
0101010013	AF 5 X 26 X 4,75 S/R	S-1181
0101010050	AF 5 X 26 X 6,00 C/R	S-1181
0101010049	AF 5 X 26 X 6,00 C/R DR	S-1181
0101010018	AF 5 X 26 X 6,00 S/R	S-1181
0101010016	AF 5 X 28 X 6,00 C/R	S-1181
0101010038	AF 5 X 28 X 6,00 C/R DR	S-1181
0101010014	AF 5 X 28 X 6,00 S/R	S-1181
0101010036	AF 5 X 28 X 6,00 S/R DR	S-1181
0101010058	AF 5 X 30 X 7,50 C/R	S-1181
0101010055	AF 5 X 30 X 7,50 S/R	S-1181

ATTENTION: IMPORTANT

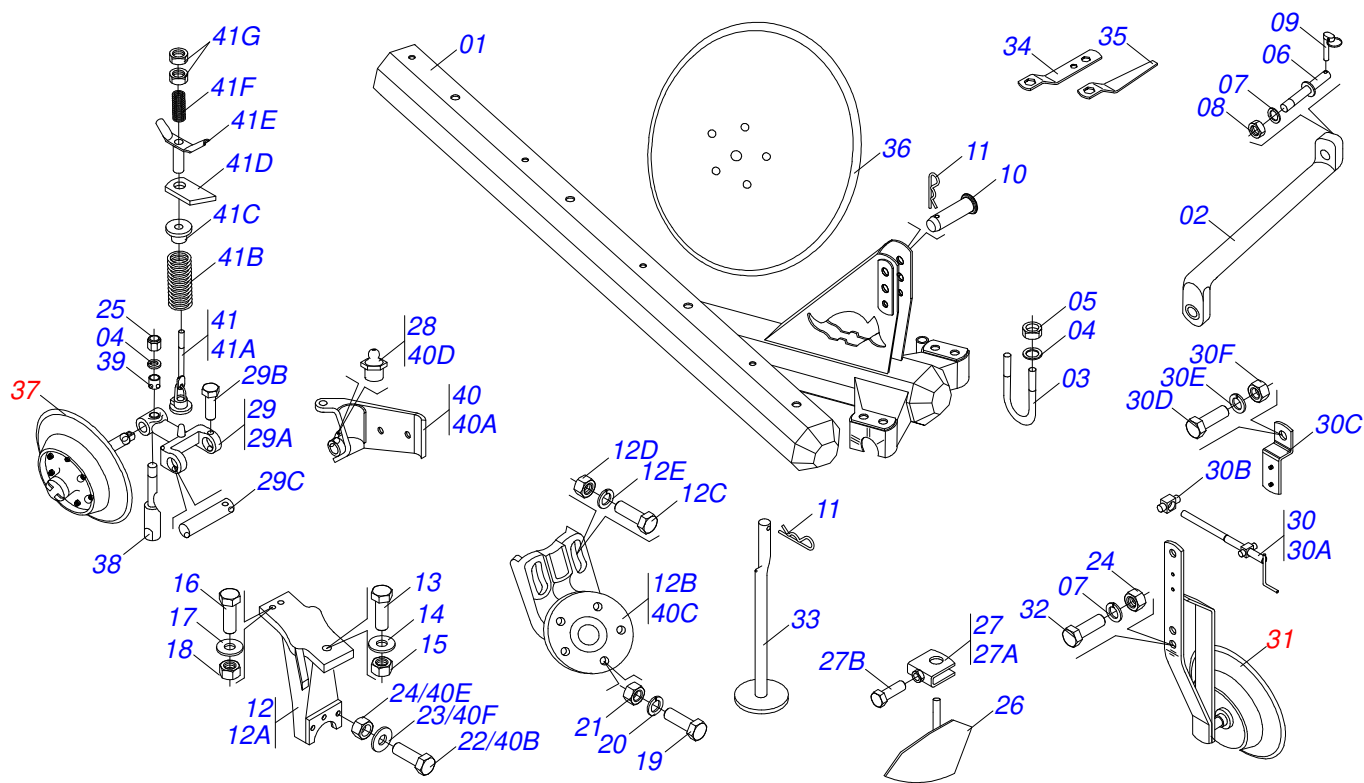
Marchesan S.A. reserves the right to improve and / or modify the technical features of its products, without obligation to do the same with those products already sold and without prior knowledge of the dealer or the consumer.



MARCHESAN

INDEX

0909090055	FRAME	1
0501040004	DEPTH WHEEL	2
0501040003	FURROW WHEEL	3
0501051553	DISC HUB ASSY	4

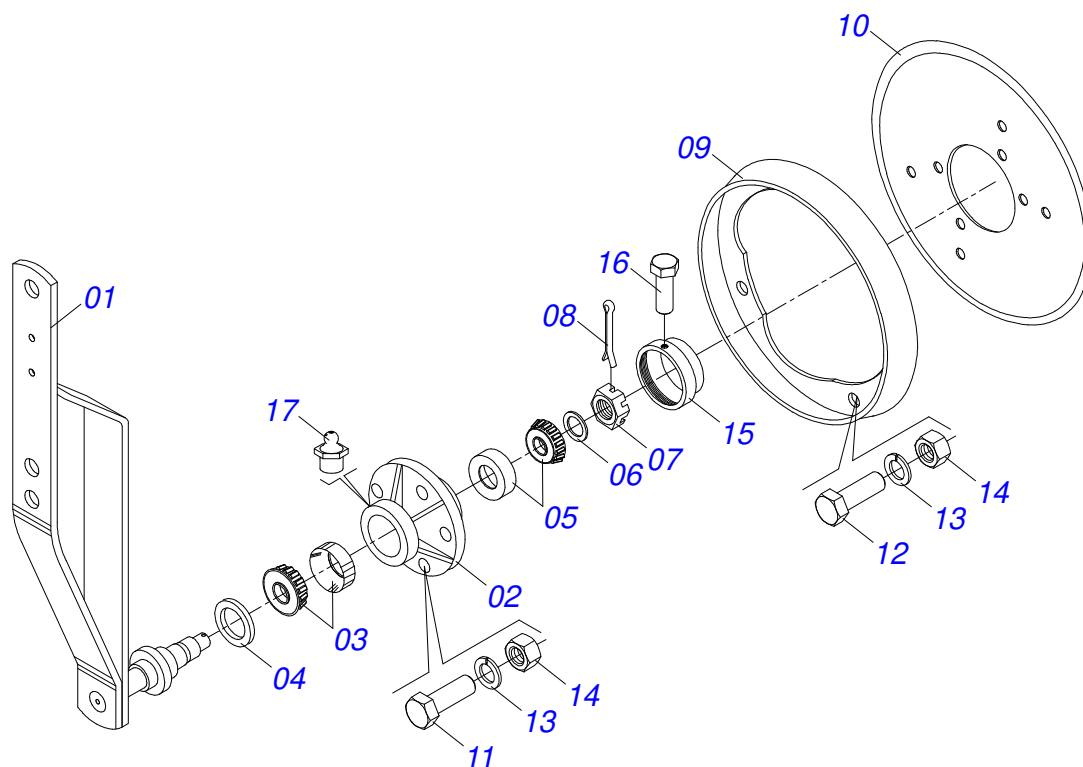


Item	Code	Description	See page	02	03	04	05
01	0501061360	FRAME		01	00	00	00
01.	0501061361	FRAME		00	01	00	00
01..	0501061362	FRAME		00	00	01	00
01...	0501061363	FRAME		00	00	00	01
01....	0501061354	FRAME		01	00	00	00
01.....	0501061355	FRAME		00	01	00	00
01.....	0501061356	FRAME		00	00	01	00
01.....	0501061357	FRAME		00	00	00	01
02	0501010001	26" CRANKSHAFT		01	01	01	00
02.	0501010002	30" CRANKSHAFT		00	00	00	01
03	0521010658	3/4 X 5.8" X 2.7" FASTENER		02	02	02	02
04	0503010023	3/4" SPRING WASHER		04	04	04	04
05	0503010014	3/4" NUT		06	07	08	13
06	0521010635	2" X 5.7" COUPLING SHAFT		02	02	02	02
07	0503010012	1" SPRING WASHER		08	08	08	08
08	0503010340	1" NUT		02	02	02	02
09	0503030430	7/16 X 2" PIN LOCK		02	02	02	02
10	0521010579	COUPLING SHAFT		01	01	01	01
11	0503031035	HAIR PIN		02	02	02	02
12	0501046697	PLOUGH SUPPORT WITH HUB		01	02	03	04
12A	0501061367	PLOUGH SUPPORT		01	02	03	04
12B	0501051553	DISC HUB ASSY	4	01	02	03	04
12C	0501010392	1" X 5" BOLT		02	04	06	08
12D	0501010059	1.5/8 NUT		05	07	09	11
12E	0503010012	1" SPRING WASHER		02	04	06	08
13	0501014174	1-1/4" X 9.5" BOLT		02	03	04	05
14	0501017779	32 X 60 X 4.75 FLAT WASHER		02	03	04	05
15	0501010087	1.1/4" NUT		02	03	04	05
16	0501010066	3/4" X 9" BOLT		02	02	02	02
17	0501010067	22.5 X 56 X 4.75 FLAT WASHER		02	03	04	05
18	0503010014	3/4" NUT		02	03	04	05

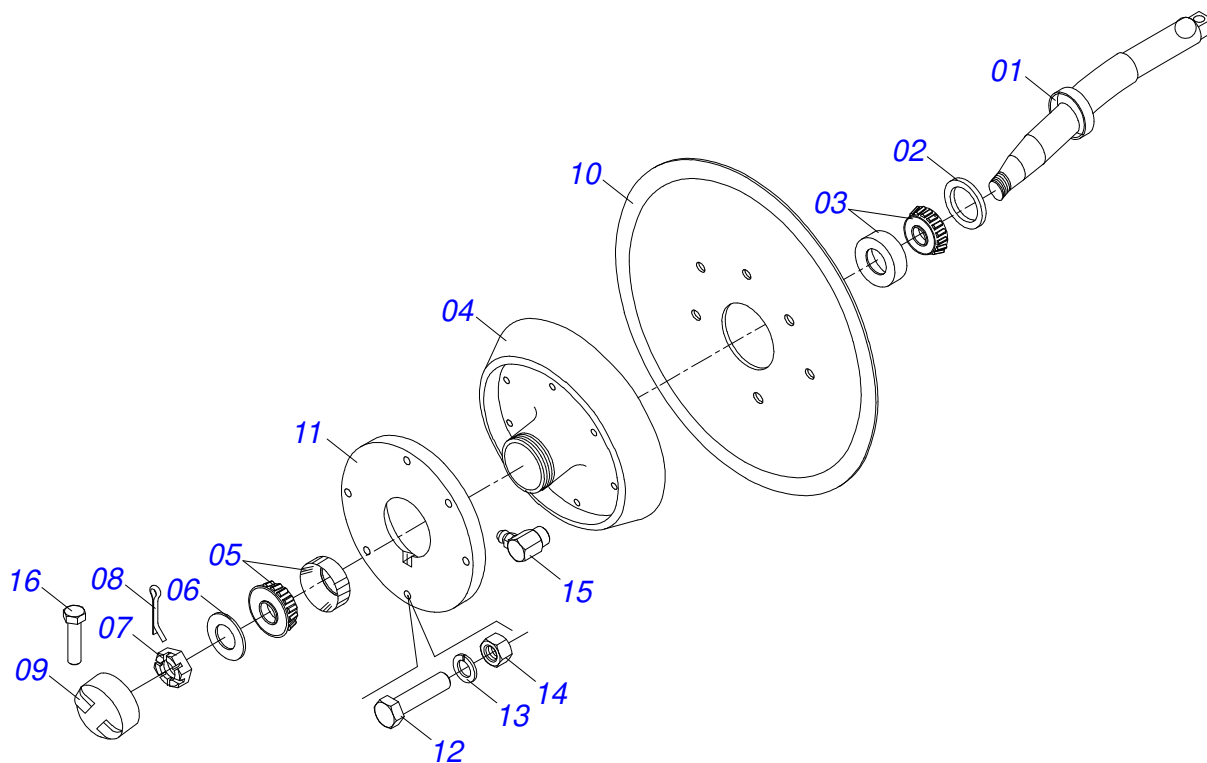


AF
FRAME

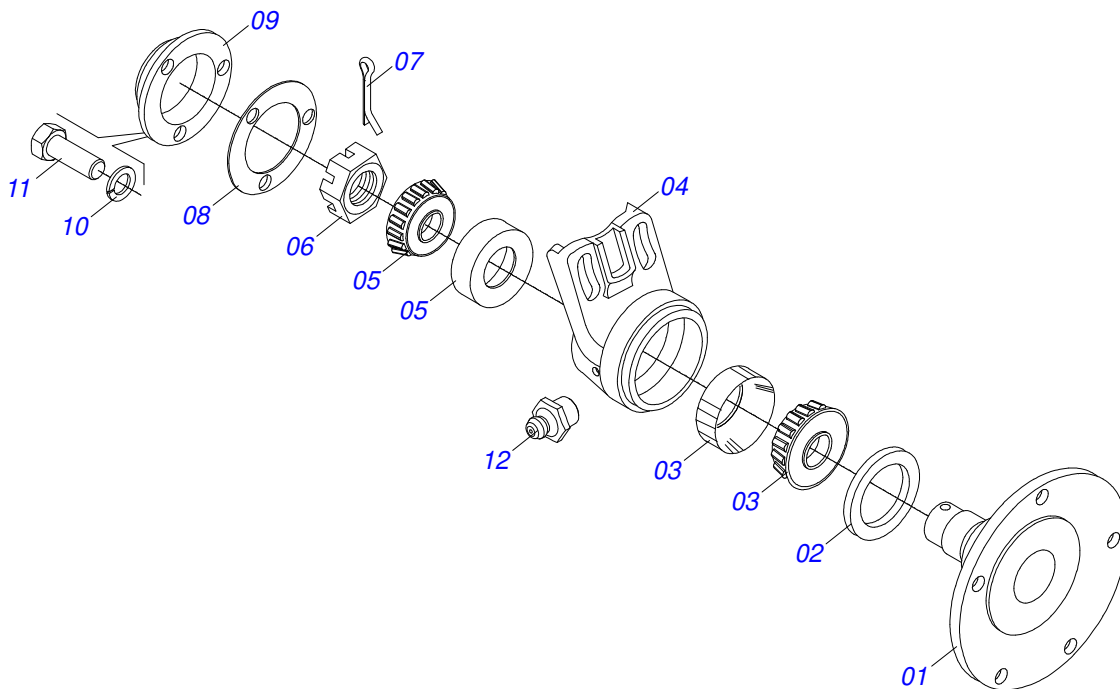
Item	Code	Description	See page	02	03	04	05
19	0503012956	1/2" X 1-1/2" BOLT		10	15	20	25
20	0503010019	1/2" SPRING WASHER		10	15	20	25
21	0503010020	1/2"NUT		10	15	20	25
22	0501010191	1" X 6" BOLT		01	01	01	01
23	0503010012	1" SPRING WASHER		01	01	01	01
24	0501010059	1.5/8 NUT		01	01	01	01
25	0503010335	3/4"NUT		01	01	01	01
26	0501060028	DISC SCRAPER		02	03	04	05
27	0501040025	SCRAPER U BOLT WITH NUT		02	03	04	05
27A	0501060029	U BOLT WITH NUT		02	03	04	05
27B	0503010232	5/8" X 1.3/4" BOLT		02	03	04	05
28	0503010002	1800 GREASE FITTING		01	01	01	01
29	0501040564	FORK ASSY		01	01	01	01
29A	0502040003	FORK		01	01	01	01
29B	0501010063	1/2" X 1-1/2" BOLT		01	01	01	01
29C	0501017548	PIVOT SHAFT		01	01	01	01
30	0501040562	CRANK FOR DEPTH CTRL WHEEL		01	01	01	01
30A	0501060041	CRANK		01	01	01	01
30B	0502020013	ADJUSTMENT NUT		01	01	01	01
30C	0501010010	CRANK SUPPORT		01	01	01	01
30D	0501010080	3/8" BOLT		04	04	04	04
30E	0503010025	3/8" SPRING WASHER		04	04	04	04
30F	0503010026	3/8" NUT		04	04	04	04
31	0501040004	DEPTH WHEEL	2	01	01	01	01
32	0501010079	1" X 4" BOLT		01	01	01	01
33	0501062412	PLOUGH SUPPORT 725		01	01	01	01
34	0511018451	5/8" X 3/4" X 1" UNIVERSAL		01	01	01	01
35	0501010198	1-1/4" CABLE FLAT WRENCH		01	01	01	01
36	0601036001	24"X 0.2" PLAIN DISC BLADE		02	03	04	05
36.	0601036002	26"X 0.2" PLAIN DISC BLADE		02	03	04	05
36..	0601039002	28" X 0.2" PLAIN DISC BLADE		02	03	04	05
36...	0601042003	30"X 0.3" PLAIN DISC BLADE		02	03	04	05
37	0501040003	FURROW WHEEL	3	01	01	01	01
38	0501010007	FURROW WHEEL SHAFT LOCK		01	01	01	01
39	0521010679	SLEEVE LOCK		01	01	01	01
40	0501046640	PLOUGH SUPPORT WITH HUB		01	01	01	01
40A	0501060025	FURROW WHEEL		01	01	01	01
40B	0501010191	1" X 6" BOLT		02	02	02	02
40C	0501051553	DISC HUB ASSY	4	01	01	01	01
40D	0503010002	1800 GREASE FITTING		01	01	01	01
40E	0501010059	1.5/8 NUT		01	01	01	01
40F	0503010012	1" SPRING WASHER		01	01	01	01
41	0501040565	ADJUSTER ASSY		01	01	01	01
41A	0501069015	LOWER REGULATOR SPRING		01	01	01	01
41B	0503030441	12.7" X 5.7" X 0.5"SPRING		01	01	01	01
41C	0502040302	SPRING SUPPORT		01	01	01	01
41D	0501010190	LOCK LOCKNUT		01	01	01	01
41E	0501060027	REGULATOR BOLT		01	01	01	01
41F	0503030008	101" X 1"X0.1" COMPRESSION SPRING		01	01	01	01
41G	0503010013	5/8" NUT		02	02	02	02



Item	Code	Description	See page	QT
01	0501061400	SUPPORT		01
02	0502020620	CARRYING WHEEL HUB		01
03	0503010016	BEARING LM		01
04	0503010278	SEAL		01
05	0503010022	BEARING LM		01
06	0501010076	FLAT WASHER		01
07	0503030010	7/8" CASTLE NUT		01
08	0503010018	5/32 X 1-1/2 COTTERPIN		01
09	0502020010	ROD STOP		02
10	0603025003	18"X 0.2" PLAIN COULTER BLADE		01
11	0503010238	BOLT 1/2 UNC X 1.3/4 CS G.2 ZN		04
12	0501010063	1/2" X 1-1/2" BOLT		04
13	0503010019	1/2" SPRING WASHER		04
14	0503010060	1/2" NUT		04
15	0502020589	COVER		01
16	0503010011	5/16" X 1/2" BOLT		01
17	0503010002	1800 GREASE FITTING		01



Item	Code	Description	See page	QT
01	0501110021	FURROW WHEEL SHAFT		01
02	0503010528	SEAL # 00838-B		01
03	0503010015	BEARING LM 501349/501314		01
04	0502020612	DISC HUB		01
05	0503010016	BEARING LM		01
06	0501010065	1" SPRING WASHER		01
07	0503030009	1" CASTLE NUT		01
08	0503010018	5/32 X 1-1/2 COTTERPIN		01
09	0502020589	COVER		01
10	0603027002	20" X 0.2" PLAIN DISC BLADE		01
11	0502020021	COUNTERBALANCE		01
12	0501011536	1/2" X 2-3/4" BOLT		06
13	0503010019	1/2" SPRING WASHER		06
14	0503010060	1/2" NUT		06
15	0503010002	1800 GREASE FITTING		01
16	0503010011	5/16" X 1/2" BOLT		01



Item	Code	Description	See page	QT
01	0502040091	DISC DISH FOR AF		01
02	0503011866	SEAL 00573-B WITH HOLE		01
03	0503010005	32212 ROLLER BEARING		01
04	0502011276	DISC HUB		01
05	0503010006	32210 ROLLER BEARING		01
06	0501010888	1.3/4" 2.5/16" CASTLE NUT		01
07	0503010010	1/4" X 2.1/2" COTTERPIN		01
08	0503030227	4.8" X 3.5" X 0.02" JOINT		01
09	0502040715	COVER		01
10	0503010179	5/16" ZN SPRING WASHER		03
11	0503010240	5/16" X 3/4" BOLT		03
12	0503010002	1800 GREASE FITTING		01



MARCHESAN

Technical Publications | Elaboration and Revision

JOSÉ DOMINGOS GASPARI

www.marchesan.com.br

