

CHISEL PLOW

EST/MATIC 300 - 09/11/13/15/17 ROD

Code: 0501091024
Series: S-0115
Revision: 00
Date Revision: FEVEREIRO/2014

PARTS CATALOGUE



MARCHESAN



PRODUCTS

Code	Description	
0101210060	EST/MATIC 300 11H DC RD ESP	S-0115
0101210061	EST/MATIC 300 13H DC RD ESP	S-0115
0101210062	EST/MATIC 300 15H DC RD ESP	S-0115
0101210063	EST/MATIC 300 17H DC RD ESP	S-0115
0101210059	EST/MATIC 300 9H DC RD ESP	S-0115

ATTENTION: IMPORTANT

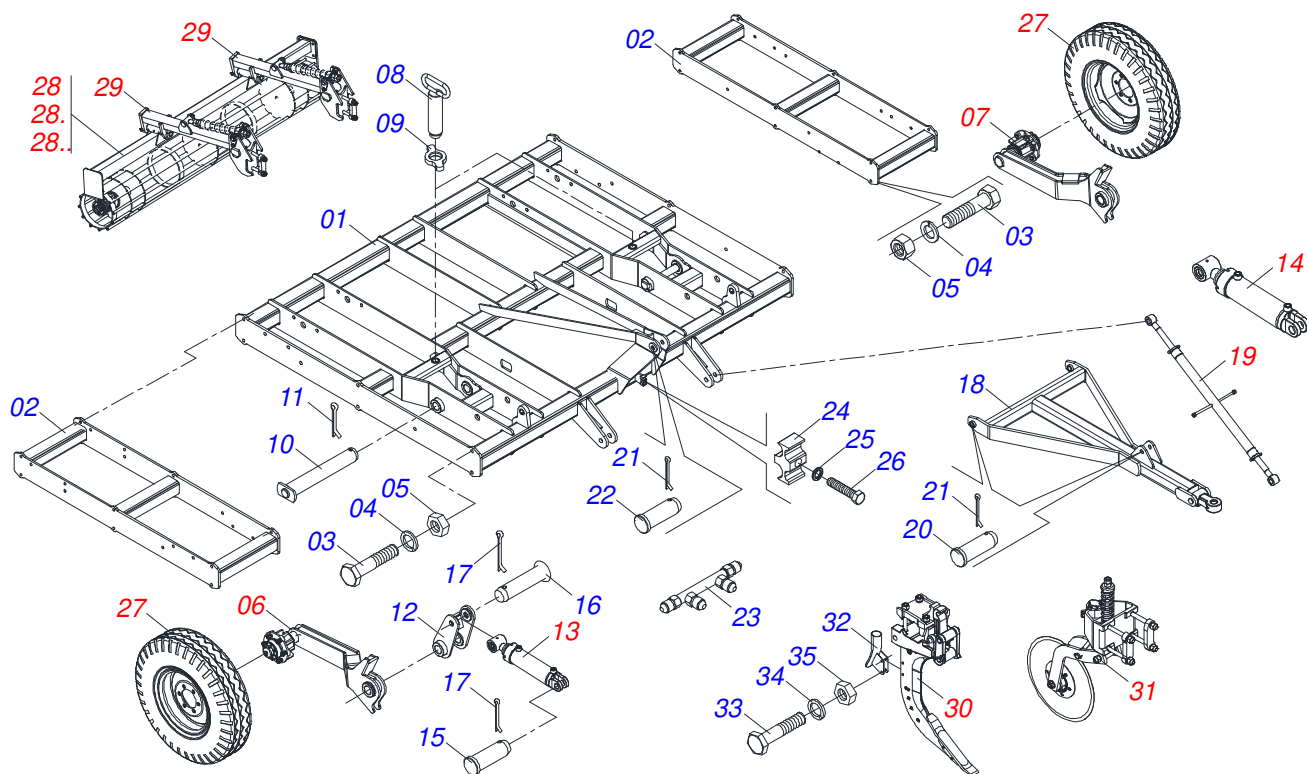
Marchesan S.A. reserves the right to improve and/or modify the technical features of its products, without obligation to do the same with those products already sold and without prior knowledge of the dealer or the consumer. The photos are only illustrative.



MARCHESAN

INDEX

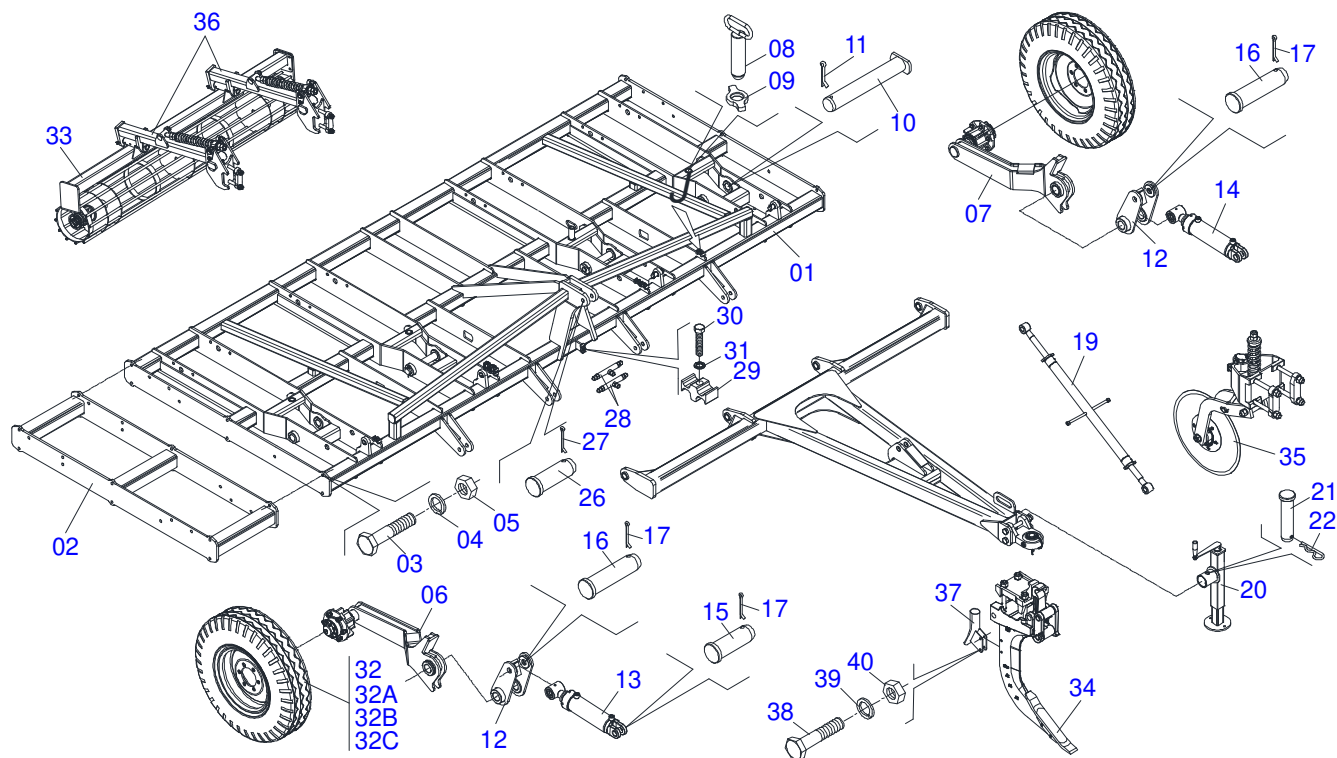
0909090567	FRAME - 9/11/13	1
0909094640	FRAME - 15/17/19/21	2
0909094641	PARTS	3
0521040391	HYDRAULIC CYLINDER 53,98 X 101,6 X 515 X 203	4
0521040915	HYDRAULIC CYLINDER 44,45 X 85,7 X 515 X 203	5
0501047356	ESTABILIZER ASSY	6
0501054088	DRAWBAR STABILIZER ASSEMBLY	7
0909094642	WHEEL ASSY	8
0511051871	ARM BREAK ROLLER	9
0521042708	BREAK ROLLER3140 ASSY	10
0501042180	BEARING DUROMARK OL 192,5 X 1.1/4 IT	11
0511048088	DRAWBAR JACK	12
0521042014	BLADE DISC ASSY	13
0501052139	ASSY CUTTING DISK DPL18	14
0909094644	ROD WITH ARM/DISARMENT ASSY	15
0511054449	RIGHT SUPPORT	16
0511054445	LEFT SUPPORT	17
0521043546	CENTRAL SUPPORT WITH SILO	18
0511054398	LEFT SUPPORT	19
0909094646	SUPPORT CENTER WITH BEAN 7 MOUTHS	20
0909094643	SUPPORT RIGHT BEAN 7 MOUTHS	21
0909094645	SUPPORT WITH BEAM 7 MOUTHS/MOTOR	22
0909090525	HYDRAULIC CIRCUIT - 21	23
0909094671	HYDRAULIC CIRCUIT - 09-11-13-15	24



Item	Code	Description	See page	09 11 13
01	0521062470	FRAME 09-15 HASTES EST/MATIC 300		01 01 01
02	0521064117	EXTENSION		00 02 00
02.	0521064120	EXTENSION		00 00 02
03	0501010125	3/4" X 2-1/2" BOLT		16 16 16
04	0503010023	3/4" SPRING WASHER		16 16 16
05	0503010014	3/4" NUT		16 16 16
06	0511053317	RIGHT WHEEL ASSY		01 01 01
07	0511053318	LEFT WHEEL ASSY		01 01 01
08	0521064086	ADJUSTMENT WHEEL		02 02 02
09	0541018672	COUNTERNUT		02 02 02
10	0521063252	50,85 X 332 AXLE		02 02 02
11	0503010073	3/8 X 3-1/2 COTTERPIN		02 02 02
12	0521064087	CARRYING-WHEELS PIVOT		02 02 02
13	0521040391	HYDRAULIC CYLINDER 53,98 X 101,6 X 515 X 203	4	01 01 01
14	0521040915	HYDRAULIC CYLINDER 44,45 X 85,7 X 515 X 203	5	01 01 01
15	0521012538	1.2" X 3.5" COUPLING SHAFT		02 02 02
16	0521010547	1.2" X 6.5" COUPLING SHAFT		02 02 02
17	0503010523	1/4" X 2" COTTERPIN		04 04 04
18	0501067791	DRAWBAR		01 01 01
19	0501047356	ESTABILIZER ASSY	6	01 01 01
20	0521010578	COUPLING SHAFT		03 03 03
21	0503010523	1/4" X 2" COTTERPIN		04 04 04
22	0521010582	COUPLING SHAFT		01 01 01
23	0501068088	OIL TUBE		01 01 01
24	0502012702	BODY SUPPORT CLAMP		01 01 01
25	0503010180	7/16" SPRING WASHER		01 01 01
26	0503012555	SCREW 7/16 UNC X 2 CS RT G.7 ZN		01 01 01
27	0503062010	750 X 16-12L ASSY WHEEL AND TIRE		02 02 02
28	0521042209	BREAK ROLLER 2750		01 00 00
28.	0521042210	BREAK ROLLER 3315 ASSY		00 01 00
28..	0521042211	BREAK ROLLER 3950 ASSY		00 00 01



Item	Code	Description	See page	09 11 13
29	0511051871	ARM BREAK ROLLER	9	02 02 02
30	0521041963	ROD WITH ARM/DISARMENT		09 11 13
31	0521042014	BLADE DISC ASSY	13	09 11 13
32	0521064373	FINE SEED CONDUCTOR		09 11 13
33	0501010096	3/8" X 2" BOLT		18 22 26
34	0503010025	3/8" SPRING WASHER		18 22 26
35	0503010026	3/8" NUT		18 22 26



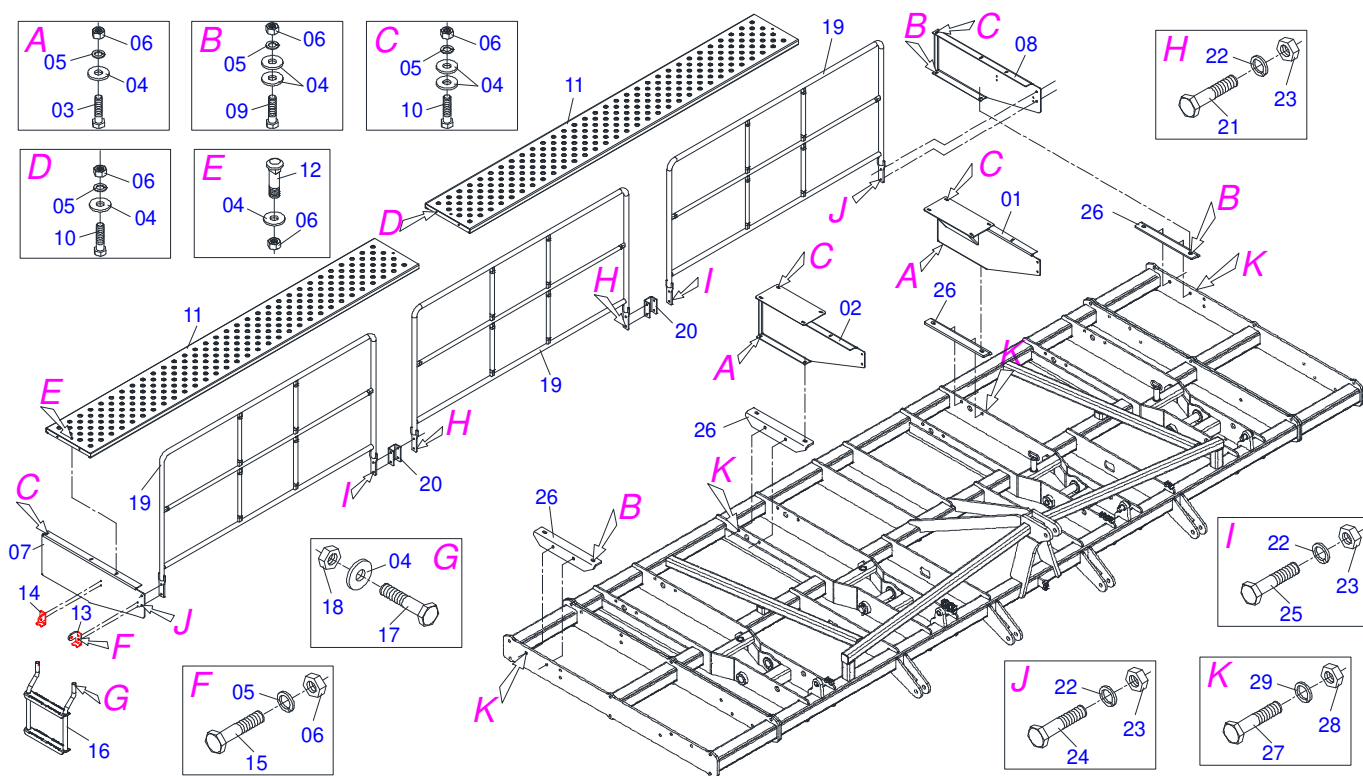
Item	Code	Description	See page	15	17	19	21
01	0521064083	15H ROD. SIMPL EST/MATIC 300 FRAME		01	00	00	00
01.	0521064360	17 Á 21 RODS EST/MATIC 300 FRAME		00	01	01	01
02	0521064487	EXTENSION		00	02	00	00
02.	0521064377	EXTENSION		00	00	02	00
03	0501010125	3/4" X 2-1/2" BOLT		00	16	16	00
04	0503010023	3/4" SPRING WASHER		00	16	16	00
05	0503010014	3/4" NUT		00	16	16	00
06	0511053317	RIGHT WHEEL ASSY		02	02	02	02
07	0511053318	LEFT WHEEL ASSY		02	02	02	02
08	0521064086	ADJUSTMENT WHEEL		04	04	04	04
09	0541018672	COUNTERNUT		04	04	04	04
10	0521063252	50,85 X 332 AXLE		04	04	04	04
11	0503010073	3/8 X 3-1/2 COTTERPIN		04	04	04	04
12	0521064087	CARRYING-WHEELS PIVOT		04	04	04	04
13	0521040391	HYDRAULIC CYLINDER 53,98 X 101,6 X 515 X 203	4	02	02	02	02
14	0521040915	HYDRAULIC CYLINDER 44,45 X 85,7 X 515 X 203	5	02	02	02	02
15	0521012538	1.2" X 3.5" COUPLING SHAFT		04	04	04	04
16	0521010547	1.2" X 6.5" COUPLING SHAFT		04	04	04	04
17	0503010523	1/4" X 2" COTTERPIN		08	08	08	08
18	0521043174	DRAWBAR ASSY		00	01	01	01
19	0501054088	DRAWBAR STABILIZER ASSEMBLY	7	00	01	01	01
20	0511048088	DRAWBAR JACK	12	00	01	01	01
21	0561014251	COUPLING SHAFT		00	01	01	01
22	0503031035	HITCH PIN CLIP		00	01	01	01
23	0571012422	COUPLING SHAFT		00	04	04	04
24	0503010523	1/4" X 2" COTTERPIN		00	04	04	04
25	0521012536	COUPLING SHAFT		00	01	01	01
26	0521010780	1.2" X 4.5" COUPLING SHAFT		00	01	01	01
27	0503010571	1/4" X 1.1/2 COTTERPIN		00	02	02	02
28	0501068088	OIL TUBE		01	00	00	00
28.	0501072676	OIL DISTRIBUTOR BODY		00	02	02	02



Item	Code	Description	See page	15	17	19	21
29	0502012702	BODY SUPPORT CLAMP		01	07	07	07
30	0503012555	SCREW 7/16 UNC X 2 CS RT G.7 ZN		01	07	07	07
31	0503010180	7/16" SPRING WASHER		01	07	07	07
32	0503062010	750 X 16-12L ASSY WHEEL AND TIRE		04	04	04	04
32A	0521062708	WHEEL 5,50 X 16 X 118 X 6F 16,50 X 152,40		04	04	04	04
32B	0503010033	7.50 X 16 INNER TIRE		04	04	04	04
32C	0503012864	TYRE		04	04	04	04
33	0521041585	BREAK ROLLER 2250		02	00	00	00
33.	0521042252	BREAK ROLLER 2540		00	02	00	00
33..	0521042269	BREAK ROLLER 2840 ASSY		00	00	02	00
33...	0521042708	BREAK ROLLER3140 ASSY	10	00	00	00	02
34	0521041963	ROD WITH ARM/DISARMENT		15	17	19	21
35	0521042014	BLADE DISC ASSY	13	15	17	19	21
36	0511051871	ARM BREAK ROLLER	9	04	04	04	04
37	0521064373	FINE SEED CONDUCTOR		15	17	19	21
38	0501010096	3/8" X 2" BOLT		30	34	38	42
39	0503010025	3/8" SPRING WASHER		30	34	38	42
40	0503010026	3/8" NUT		30	34	38	42
41	0501067791	DRAWBAR		01	00	00	00
42	0501047356	ESTABILIZER ASSY	6	01	00	00	00
43	0521010578	COUPLING SHAFT		03	00	00	00
44	0521010582	COUPLING SHAFT		01	00	00	00

PARTS

0909094641



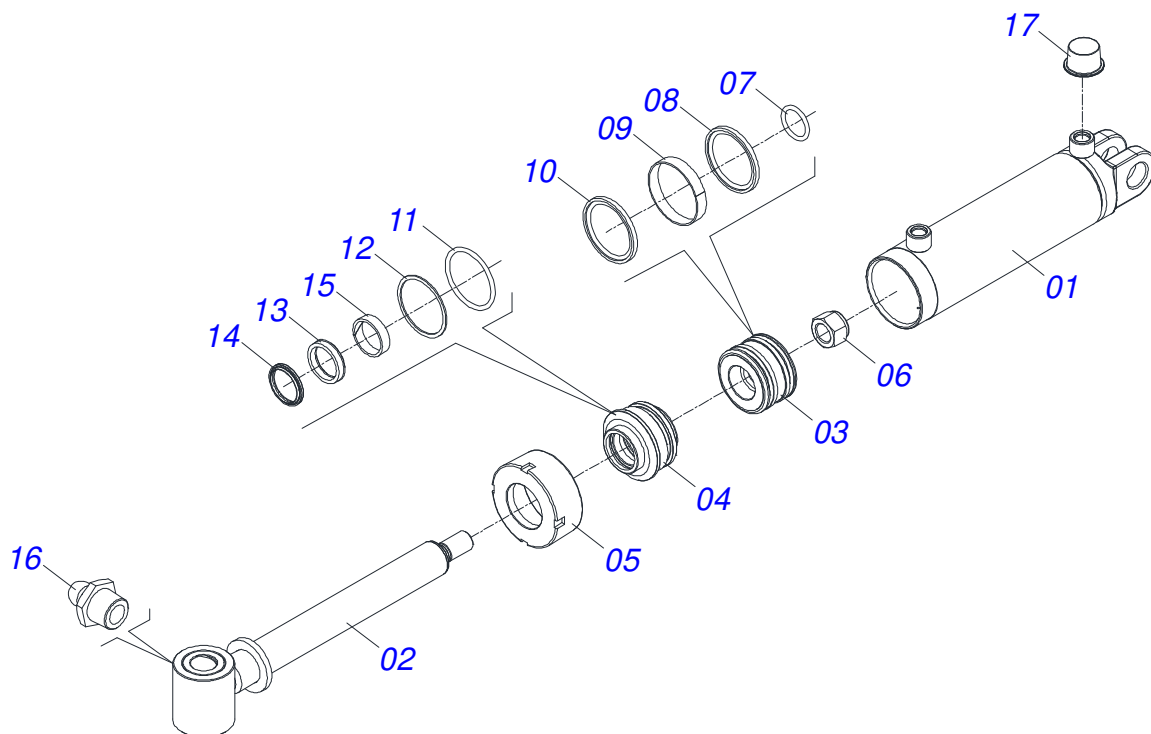
Item	Code	Description	See page	15	17	19	21
01	0571015097	FIXER CENTRAL		02	00	00	00
02	0571015098	FIXER SUPPORT SILO		06	00	00	00
03	0521064595	LH CENTRAL FIXING BASE		00	01	00	00
04	0521064598	CENTRAL BASE		00	01	00	00
05	0521064597	UPPER LEFT SIDE BASE		00	01	00	00
06	0521064596	UPPER RIGHT SIDE BASE		00	01	00	00
07	0521064375	CENTRAL SUPPORT WITH FIXER SILO SEED		00	00	01	01
08	0521064376	CENTRAL SUPPORT WITH FIXER SILO SEED		00	00	01	01
09	0503010237	3/8" X 1" BOLT		04	04	04	04
10	0501010984	FLAT WASHER 10,50 X 27 X 3,00 ZN		46	46	46	46
11	0503010025	3/8" SPRING WASHER		30	30	30	30
12	0503010026	3/8" NUT		34	34	34	34
13	0571014634	SIDE RIGHT SUPPORT SILO RIGHT		00	01	01	00
14	0571014635	SIDE LEFT SUPPORT SILO LEFT		00	01	01	00
15	0503010849	3/8" X 1-1/2" BOLT		04	04	04	04
16	0503010751	C3/8" X 1.1/4" HEX BOLT G.5		14	14	14	14
17	0521064541	PLATFORM 2240 EST/MATIC 300		02	00	00	00
18	0521064621	PLATFORM ASSY		00	02	00	00
19	0521064488	1160 CALC PLATFORM		00	00	02	00
20	0521064365	PLATFORM 3140 EST/MATIC 300		00	00	00	02
21	0501011778	3/8" X 2-1/2" BOLT		04	04	04	04
22	0551017438	LADDER RIGHT FIXER		02	02	02	02
23	0551017437	LADDER RIGHT FIXER		02	02	02	02
24	0503010237	3/8" X 1" BOLT		08	08	08	08
25	0511069636	LADDER		02	02	02	02
26	0501010096	3/8" X 2" BOLT		04	04	04	04
27	0503013357	3/8" SELF-ADJUSTING NUT		04	04	04	04
28	0521064568	FRONT RIGHT HANDRAIL		01	00	00	00
29	0521064569	HANDRAIL CENTRAL		01	00	00	00
30	0521064570	FRONT LEFT HANDRAIL		01	00	00	00
31	0521064571	RIGHT REAR HANDRAIL		01	00	00	00



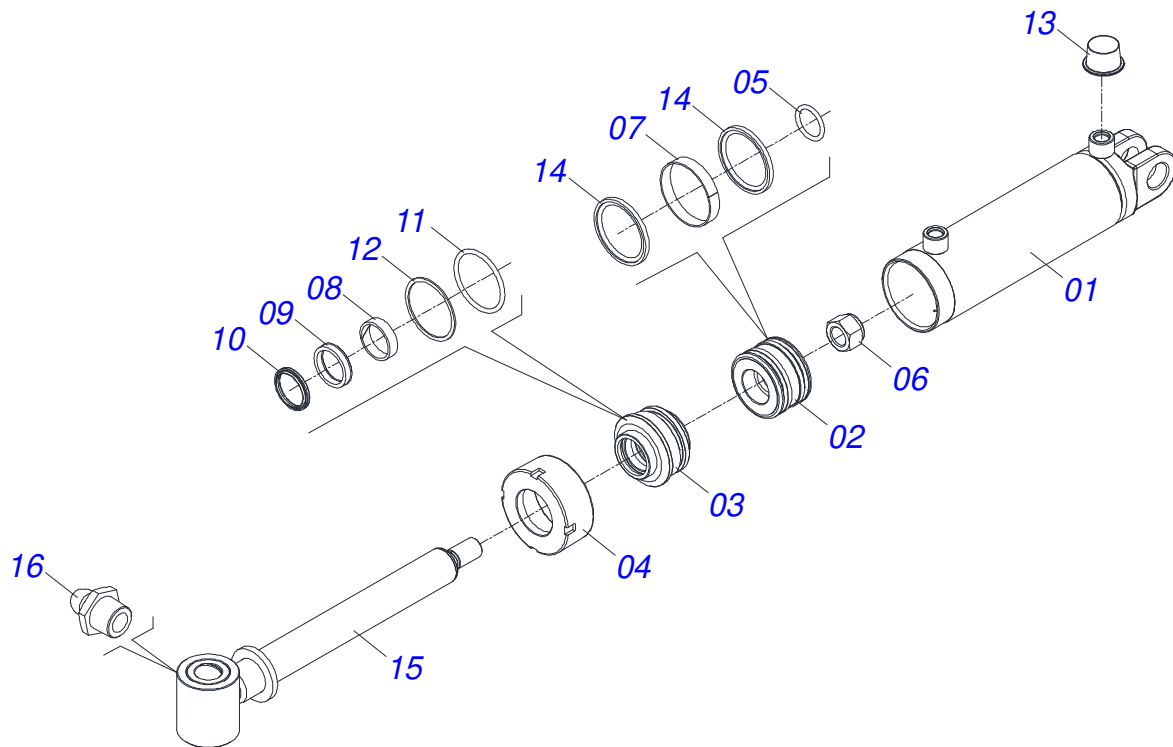
PARTS

0909094641

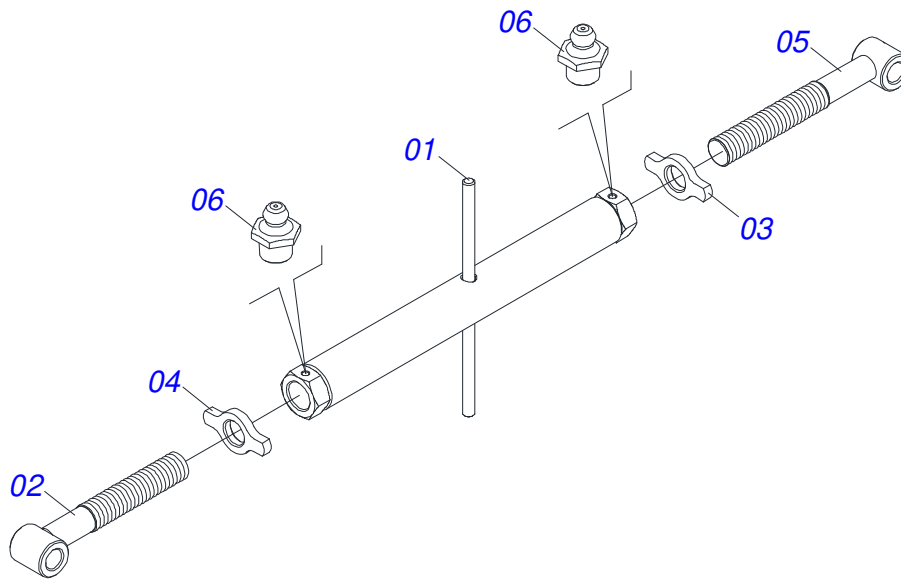
Item	Code	Description	See page	15	17	19	21
32	0521064572	RIGHT REAR HANDRAIL		01	00	00	00
33	0521064489	HANDRAIL		00	03	02	00
34	0521064374	HANDRAIL		00	01	03	00
35	0571014636	CONNECTOR HANDRAIL		00	02	02	00
36	0501010063	1/2" X 1-1/2" BOLT		00	04	04	00
37	0503010019	1/2" SPRING WASHER		20	24	12	12
38	0503010060	1/2" NUT		20	24	12	12
39	0503010395	1/2" X 1-1/4" BOLT		20	24	04	04
40	0503010238	BOLT 1/2 UNC X 1.3/4 CS G.2 ZN		00	04	04	00
41	0571014611	SUPPORT FIXATION BASE SEED BEAN		04	04	04	04
42	0501010125	3/4" X 2-1/2" BOLT		08	08	08	08
43	0503010023	3/4" SPRING WASHER		08	08	08	08
44	0503010014	3/4" NUT		08	08	08	08



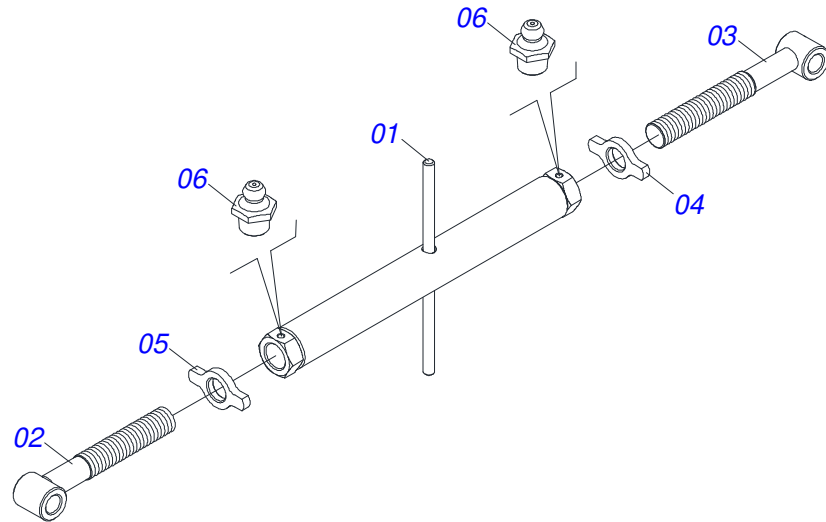
Item	Code	Description	See page	QT
01	0511068373	101,6 X 203 CYLINDER CASE		01
02	0521062882	53,98 X 448 TURNBUCKLE		01
03	0502011249	PISTON		01
04	0502011250	RING OF SUPPORT		01
05	0502010017	4" HEAD		01
06	0503010817	1.1/4" SELF LOCKING NUT		01
07	0503010345	2-218 N 3006-9B O'RING		01
08	0503012725	GASKET		01
09	0503010994	W2-4000-500 PK RING G.E		01
10	0503010043	PACKING 3750-3250		01
11	0503010338	2-342 N 3006-9B O'RING		01
12	0503011061	8-342 BACK-UP RING		01
13	0503010319	D-2125 SCRAPER		01
14	0503010314	GASKET		01
15	0503010973	W2-2500-500 PK O'RING G.E		01
16	0503010002	1800 GREASE FITTING		01
17	0503030384	CON PLUG N-001		02
18	0511031218	CYLINDER REPAIR KIT 53,98 X 101,6		01



Item	Code	Description	See page	QT
01	0511068372	85,72 X 203 CYLINDER CASE		01
02	0502011847	1.7" X 3.4" PISTON		01
03	0502010781	RING SUPPORT		01
04	0502010993	DETACHABLE COVER		01
05	0503010042	2-214 N 3006-9B O'RING		01
06	0503010063	1" SELF-ALIGNING NUT		01
07	0503010948	W4-3346-590 PK RING G.E		01
08	0503010949	W2-2000-500 PK RING G.E		01
09	0503010990	GASKET		01
10	0503010761	D-1750 SCRAPER RING		01
11	0503010976	2-336 N 3006-9B O'RING		01
12	0503011060	8-336 BACK-UP RING		01
13	0503030384	CON PLUG N-001		02
14	0503012509	GASKET		02
15	0521063254	44,45 X 450 TURNBUCKLE		01
16	0503010002	1800 GREASE FITTING		01
17	0501035169	CYLINDER REPAIR KIT 44,45 X 85,72		01

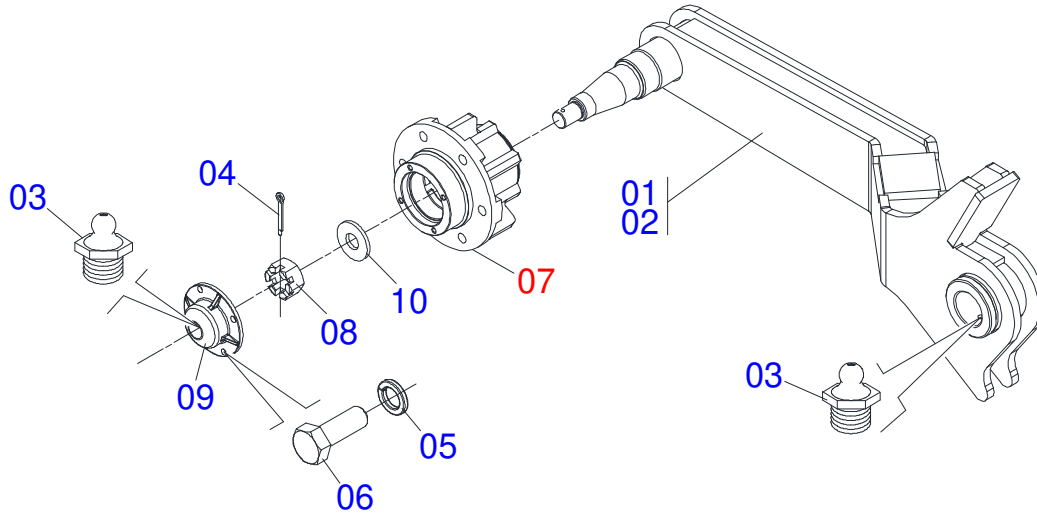


Item	Code	Description	See page	QT
01	0501068095	850 ADJUSTMENT NUT		01
02	0501068096	RIGTH TURNBUCKLE		01
03	0541018673	COUNTERNUT		01
04	0541018672	COUNTERNUT		01
05	0501068097	LEFT TURNBUCKLE		01
06	0503010002	1800 GREASE FITTING		02



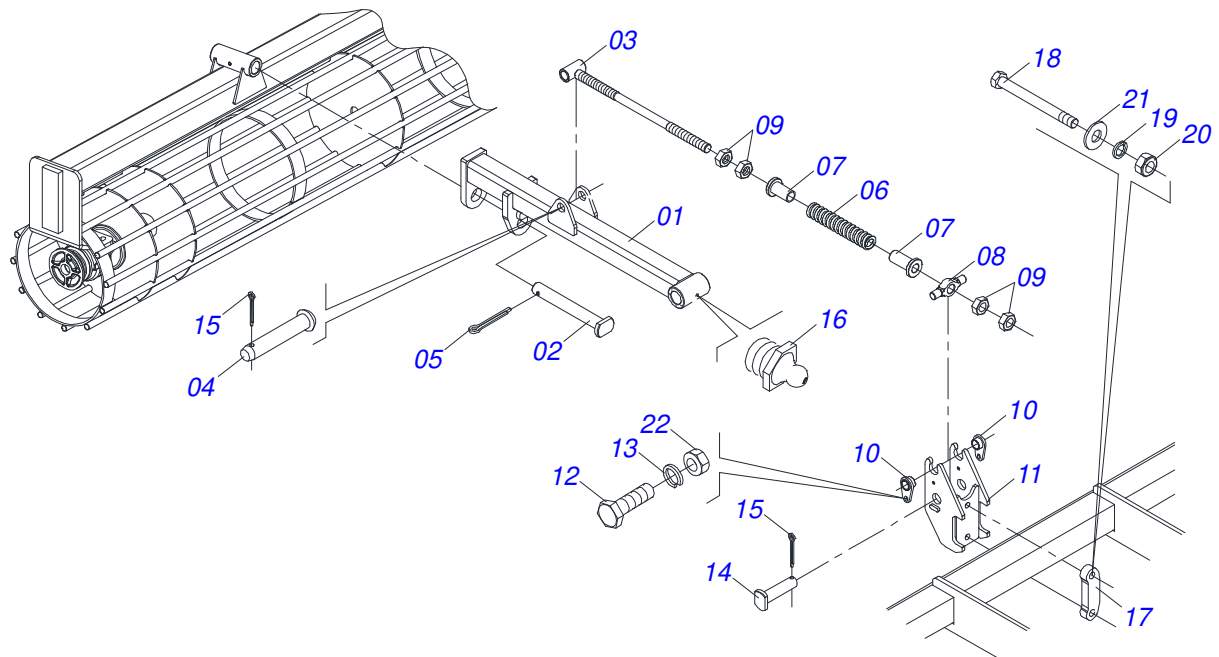
Item	Code	Description	See page	QT
01	0511063786	EXTENDER 950		01
02	0511063787	RIGHT EXTENDER SPINDLE R1.1/2 X 432		01
03	0511063788	LEFT EXTENDER SPINDLE R1.1/2 X 432		01
04	0541018672	COUNTERNUT		01
05	0541018673	COUNTERNUT		01
06	0503010002	1800 GREASE FITTING		02

WHEEL ASSY

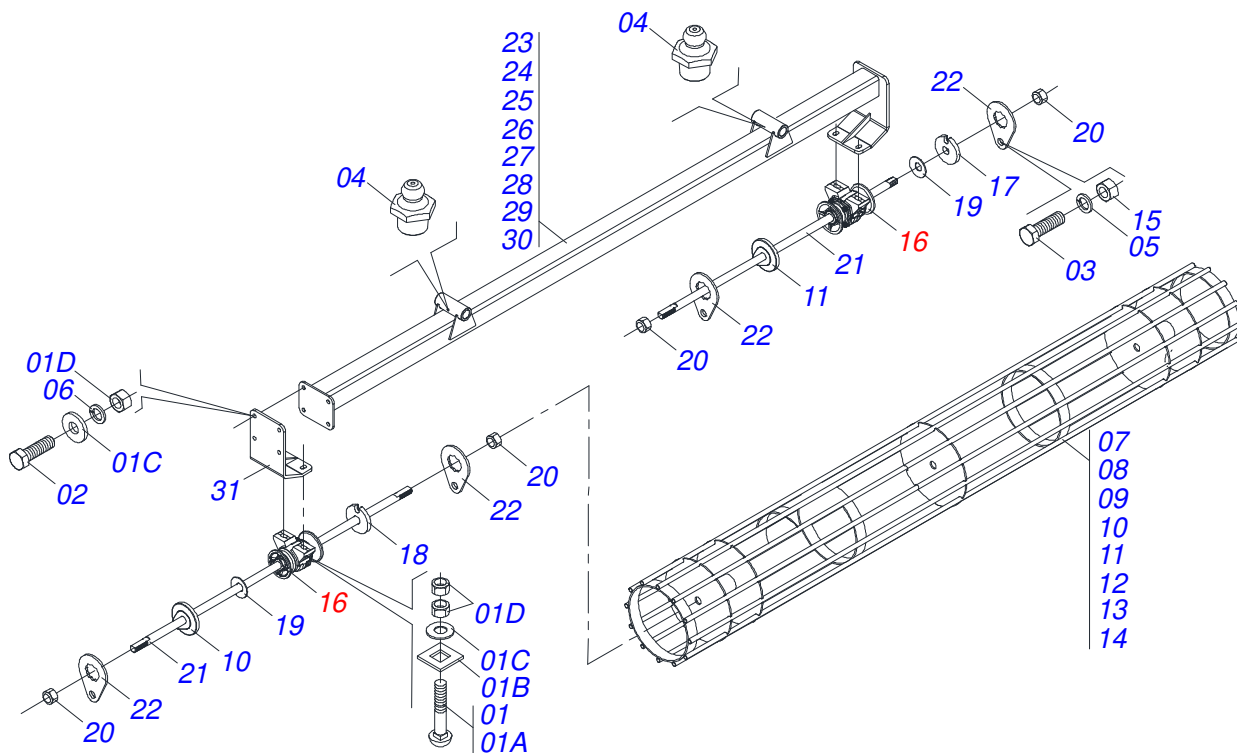


Item	Code	Description	See page	QT
01	0511053317	RIGHT WHEEL ASSY		01
02	0511053318	LEFT WHEEL ASSY		00
03	0503010002	1800 GREASE FITTING		02
04	0503010018	5/32 X 1-1/2 COTTERPIN		01
05	0503011444	SPRING WASHER		04
06	0503010358	5/16" X 5/8" BOLT		04
07	0501051142	CARRYING WHEEL HUB		01
08	0503030009	1" CASTLE NUT		01
09	0502020591	PROTECCION COVER		01
10	0501016545	FLAT WASHER		01

ARM BREAK ROLLER



Item	Code	Description	See page	QT
00	0511051871	ARM BREAK ROLLER	9	01
01	0521063139	ARM ROLLER		01
02	0521010808	1.4" X 5.8" COUPLING SHAFT		01
03	0521063150	ASSY		01
04	0521010578	COUPLING SHAFT		01
05	0503010523	1/4" X 2" COTTERPIN		01
06	0503031575	2.5"X 12" X 0.5" COMPRESSION SPRING		01
07	0571011377	SPRING GUIDES SLEVE		02
08	0571011378	TRUNNION ARTICULATOR SPRING ROD		01
09	0501010059	1.5/8 NUT		04
10	0521063151	TRUNNION LOCK ARTICULATOR SPRING ROD		02
11	0521063134	FIXER ROLL		01
12	0503010920	1/2" X 1.1/2" BOLT		02
13	0503010019	1/2" SPRING WASHER		02
14	0521062685	ARTICULATION AXIS		01
15	0503012267	5/16" X 3" COTTER PIN		02
16	0503010002	1800 GREASE FITTING		01
17	0571011609	FIXER PLATE CUTTING DISC		01
18	0503014744	3/4 UNF X 7.1/2 C S G.7 ZN BOLT		02
19	0503010023	3/4" SPRING WASHER		02
20	0503010335	3/4"NUT		02
21	0511019685	FLAT WASHER		02
22	0503010060	1/2" NUT		02



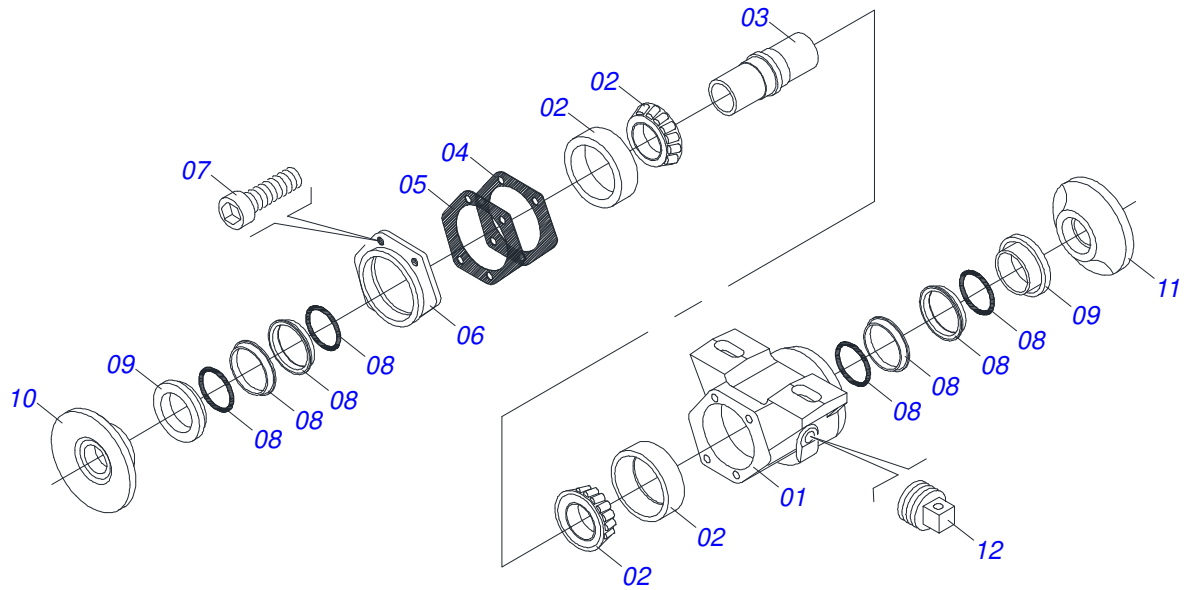
Item	Code	Description	See page	09	11	13	13	15	17	19	21
	0521042209	BREAK ROLLER 2750		01	00	00	00	00	00	00	00
0	0521042210	BREAK ROLLER 3315 ASSY		00	01	00	00	00	00	00	00
0.	0521042211	BREAK ROLLER 3950 ASSY		00	00	01	00	00	00	00	00
0..	0521040923	BREAK ROLLER ASSY		00	00	00	02	00	00	00	00
0...	0521041585	BREAK ROLLER 2250		00	00	00	00	02	00	00	00
00	0521042252	BREAK ROLLER 2540		00	00	00	00	00	02	00	00
00..	0521042269	BREAK ROLLER 2840 ASSY		00	00	00	00	00	00	02	00
00...	0521042708	BREAK ROLLER3140 ASSY	10	00	00	00	00	00	00	00	02
01	0501048788	IMPLEMENT PARTS ASSY 5/8 UNC X 2.1/2 CA		02	02	02	04	04	04	04	04
01A	0501014177	5/8" X 2-1/2" BOLT		02	02	02	04	04	04	04	04
01B	0501010947	5/8 NUT LOCK		02	02	02	04	04	04	04	04
01C	0501012140	FLAT WASHER		04	04	04	08	08	08	08	08
01D	0503010013	5/8" NUT		10	10	10	12	12	12	12	12
02	0501010100	SCREW 5/8 UNC X 2 CS G.5 ZN		04	04	04	08	08	08	08	08
03	0501010161	1/2" X 1.1/4" BOLT		04	04	04	08	08	08	08	08
04	0503010002	1800 GREASE FITTING		02	02	02	04	04	04	04	04
05	0503011440	SPRING WASHER		02	02	02	04	04	04	04	04
06	0503011445	SPRING WASHER		02	02	02	04	04	04	04	04
07	0521064115	BREAK ROLLER 2540		01	00	00	00	00	00	00	00
08	0521064118	BREAK ROLLER 3315 ASSY		00	01	00	00	00	00	00	00
09	0521064121	BREAK ROLLER 3950		00	00	01	00	00	00	00	00
10	0521063260	BREAK ROLLER		00	00	00	02	00	00	00	00
11	0521063279	BREAK ROLLER 2250		00	00	00	00	02	00	00	00
12	0521064133	BREAK ROLLER 2540		00	00	00	00	00	02	00	00
13	0521064157	BREAK ROLLER 2840		00	00	00	00	00	00	02	00
14	0521064165	BREAK ROLLER		00	00	00	00	00	00	00	02
15	0503010060	1/2" NUT		02	02	02	04	04	04	04	04
16	0501042180	BEARING DUROMARK OL 192,5 X 1.1/4 IT	11	02	02	02	04	04	04	04	04
17	1902010835	1-1/4" EXTERNAL AXLE WASHER		01	01	01	03	03	03	03	03
18	1902010834	1-1/4" INNER AXLE WASHER		01	01	01	01	01	01	01	01
19	0531018575	WASHER CONCAVE		02	02	02	04	04	04	04	04



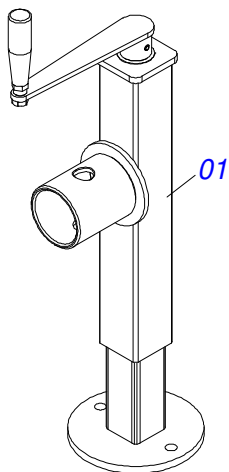
BREAK ROLLER3140 ASSY

0521042708

Item	Code	Description	See page	09	11	13	13	15	17	19	21
20	0501010087	1.1/4" NUT		02	02	02	04	04	04	04	04
21	0501010752	1.1/4" X 500 AXLE		02	02	02	04	04	04	04	04
22	0501010455	1.1/4" NUT LOCK		02	02	02	04	04	04	04	04
23	0521064116	2715 BREAK ROLLER SUPPORT		01	00	00	00	00	00	00	00
24	0521064119	3315 BREAK ROLLER SUPPORT		00	01	00	00	00	00	00	00
25	0521064122	3950 BREAK ROLLER SUPPORT		00	00	01	00	00	00	00	00
26	0521063259	1950 BREAK ROLLER SUPPORT		00	00	00	02	00	00	00	00
27	0521063280	2250 BREAK ROLLER SUPPORT		00	00	00	00	02	00	00	00
28	0521064134	2540 BREAK ROLLER SUPPORT		00	00	00	00	00	02	00	00
29	0521064158	2840 BREAK ROLLER SUPPORT		00	00	00	00	00	00	02	00
30	0521064366	3150 BREAK ROLLER SUPPORT		00	00	00	00	00	00	00	02
31	0521062673	BRACKET MOBILE FIXER ROLLER		01	01	01	02	02	02	02	02

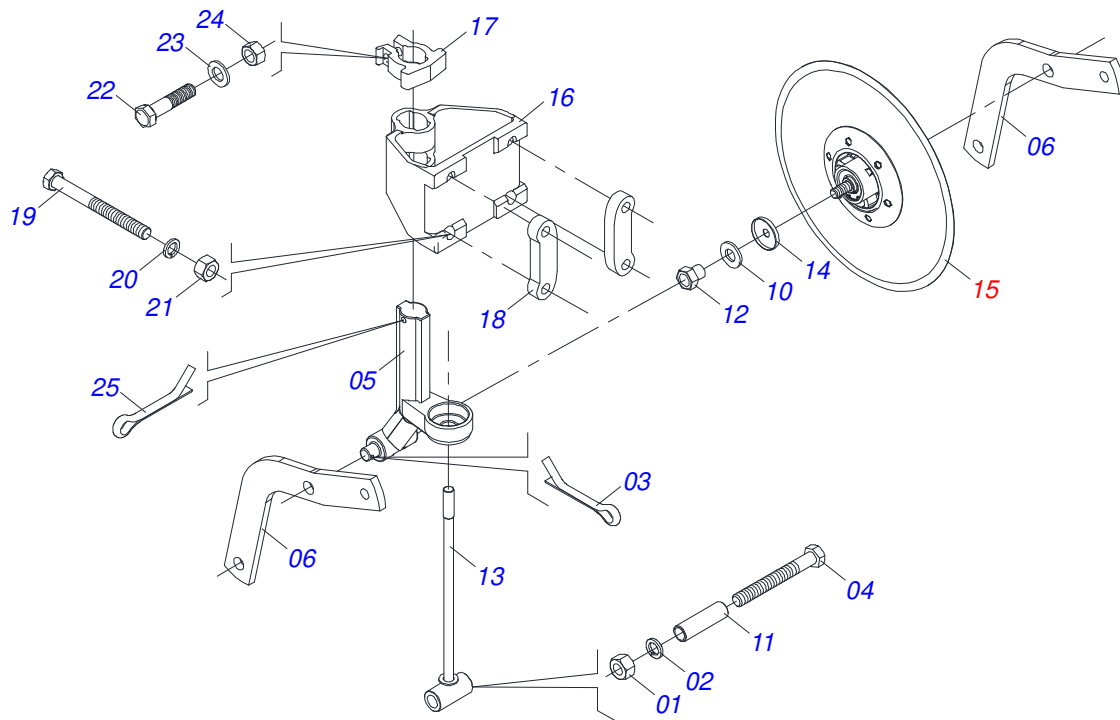


Item	Code	Description	See page	QT
01	0502010539	HOUSING DM		01
02	0503010111	30210 ROLLER BEARING		02
03	0502040218	AXLE		01
04	0503030013	4.4" X 3.5" X 0.004" JOINT		02
05	0503030684	4.4" X 3.5" X 0.004" JOINT		01
06	0502020424	HOUSING CAP		01
07	0503010134	3/8" X 1" BOLT		04
08	0503030026	SEAL LP JB-253		02
09	0502010541	SEAL RETAINER		02
10	0502010070	OUTER FLANGE		01
11	0502010071	INNER FLANGE		01
12	0503010856	OIL PLUG		01

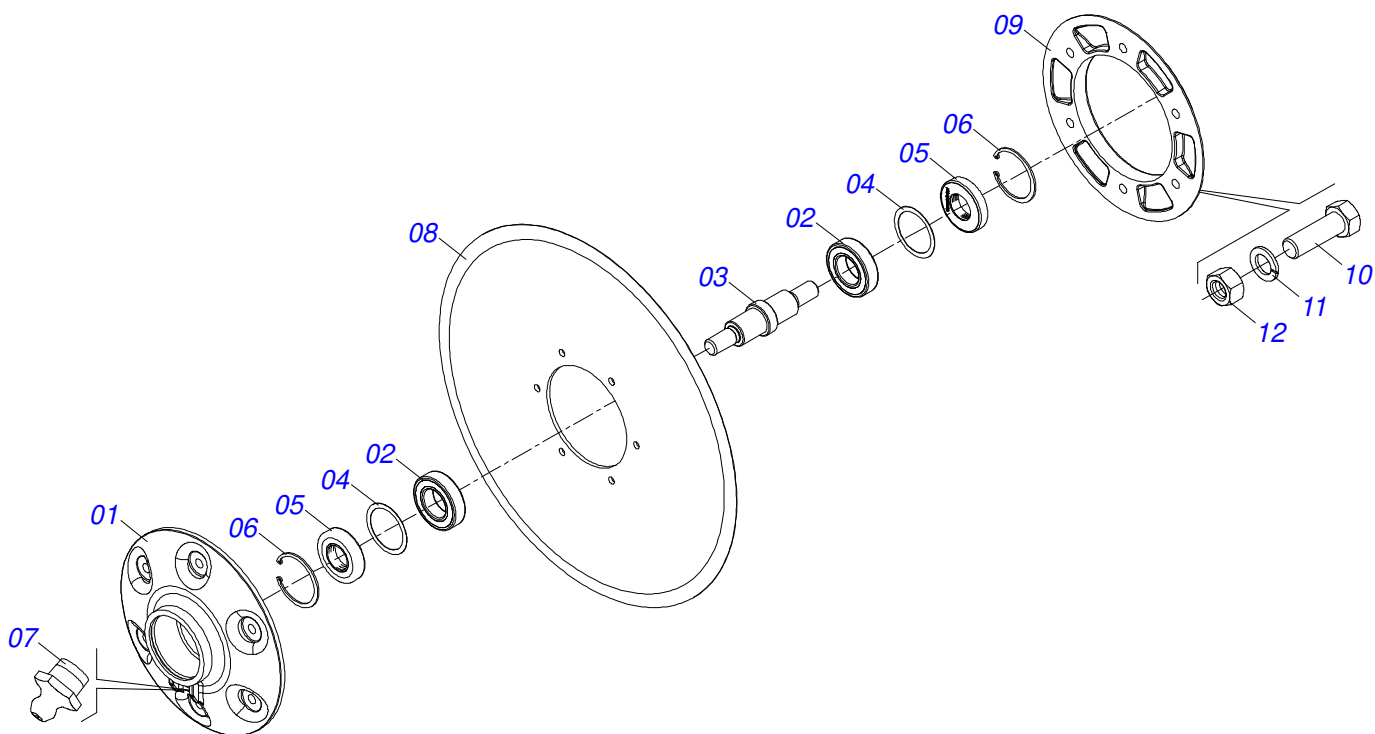


Item	Code	Description	See page	QT
01	0503062227	DRAWBAR JACK		01

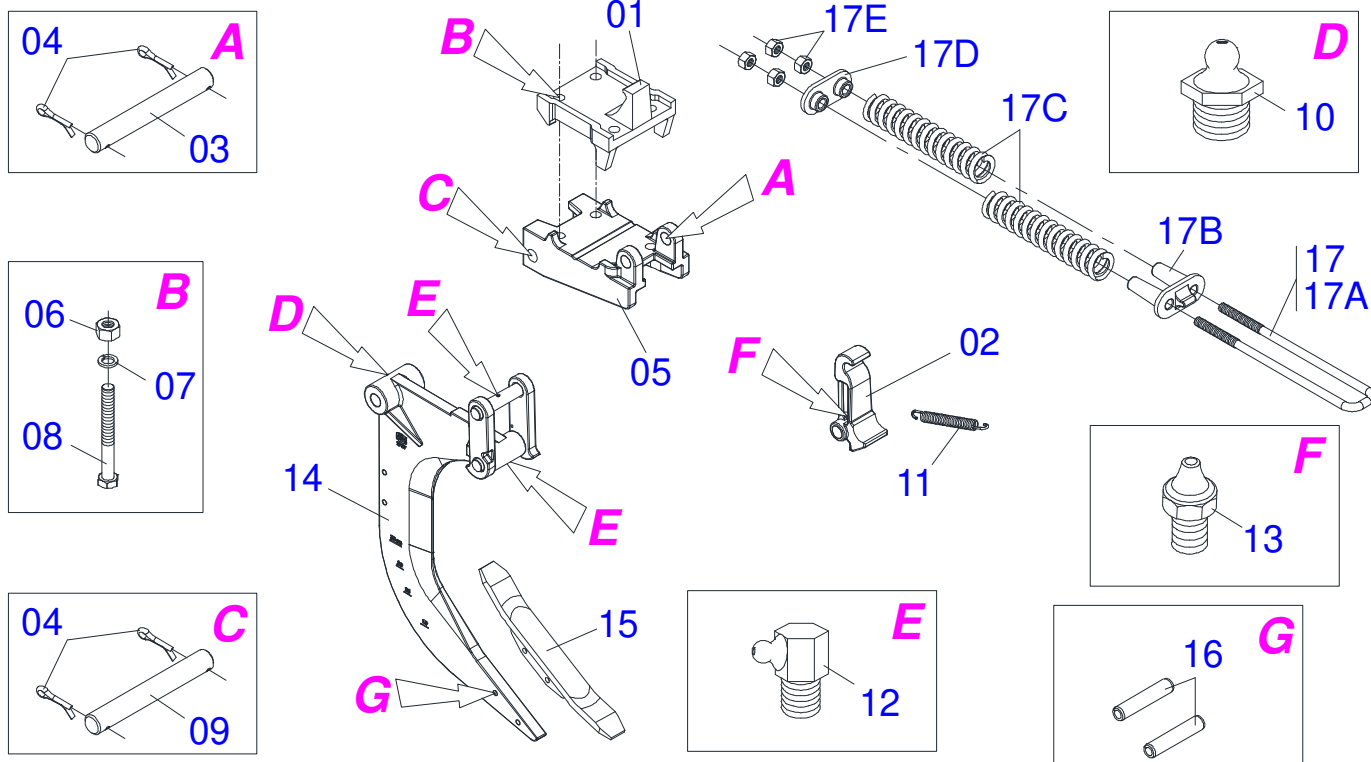
BLADE DISC ASSY



Item	Code	Description	See page	QT
01	0503010014	3/4" NUT		03
02	0503011442	3/4" SPRING WASHER		01
03	0503010571	1/4" X 1.1/2 COTTERPIN		02
04	0503011198	C3/4" X 6" SCREW		01
05	0502012025	BLADE DISC SUPPORT		01
06	0521019800	BLADE DISC BREAK		02
07	0511061576	SPRING GUIDE		01
08	0503031679	COMPRES SPRING		01
09	0502020393	SPRING UPPER SUPPORT		01
10	0511015346	FLAT WASHER		02
11	0521010452	SLEEVE		01
12	0521013510	3/4" NUT		02
13	0511060915	ROD SPRING		01
14	0521015376	DUST CLOAK		02
15	0501052139	ASSY CUTTING DISK DPL18	14	01
16	0502012026	BLADE DISC FIXER SUPPORT		01
17	0502012024	FIXER SUPPORT BUSHING		01
18	0571011609	FIXER PLATE CUTTING DISC		02
19	0503014744	3/4 UNF X 7.1/2 C S G.7 ZN BOLT		04
20	0503010023	3/4" SPRING WASHER		04
21	0503010335	3/4"NUT		04
22	0503013184	5/8" X 2-3/4" BOLT G.8		01
23	0501011299	FLAT WASHER		01
24	0503010129	5/8" NUT		01
25	0503010534	3/8 X 2-1/2 COTTERPIN		01

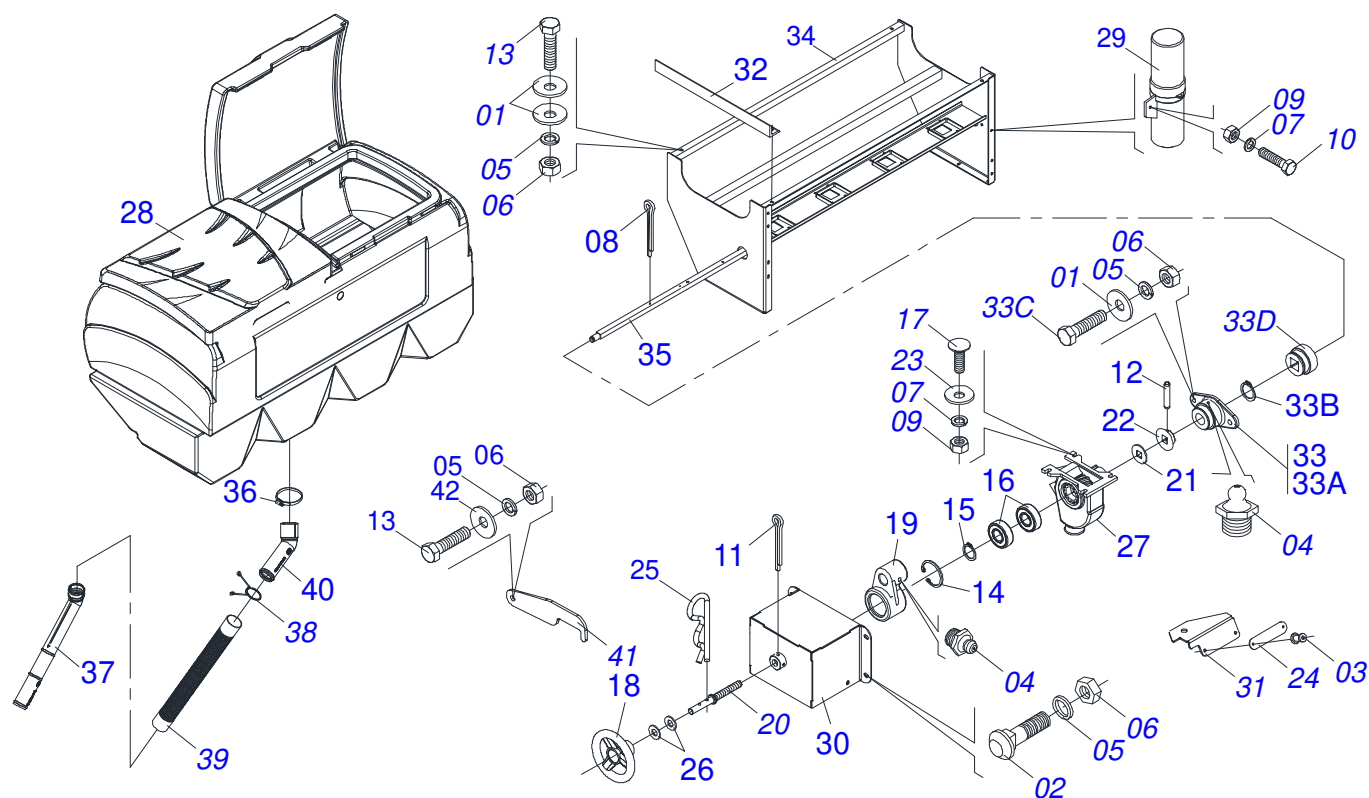


Item	Code	Description	See page	QT
01	0502011562	DISC HUB		01
02	0503010276	6206 BALL BEARING		02
03	0521013610	BLADE DISC HUB AXLE		01
04	0503030832	FLAT WASHER		02
05	0503012417	SEAL		02
06	0503011800	SEAL RING		02
07	0503010691	1/4" GREASE FITTING		01
08	0603026013	PLAIN COULTER BLADE		01
09	0502020641	BLADE DISC FLANGE		01
10	0503010371	5/16" X 1" BOLT		06
11	0503011444	SPRING WASHER		06
12	0503010337	5/16" NUT		06



Item	Code	Description	See page	QT
00	0521041963	ROD WITH ARM/DISARMMENT		01
01	0502011861	FIXER BASE UPPER		01
02	0502011864	AST/MATIC 450 RESET		01
03	0521017724	1" X 6.2" COUPLING SHAFT		01
04	0503010571	1/4" X 1.1/2" COTTERPIN		04
05	0502011863	LOWER BASE FIXER		01
06	0503010014	3/4" NUT		04
07	0503011442	3/4" SPRING WASHER		04
08	0503012729	3/4" X 6-3/4" BOLT		04
09	0521017725	1" X 7.4" COUPLING SHAFT		01
10	0503010002	1800 GREASE FITTING		01
11	0503031574	6.9" X 0.8" X 0.1" EXTENSION SPRING		01
12	0503010004	1890 GREASE FITTING		02
13	0503010691	1/4" GREASE FITTING		01
14	0521063902	ROD BODY DISASSEMBLE		01
15	0521063903	POINT 16 X 2 X 5/8		01
16	0503011265	10MM X 50MM SPRING PIN		02
17	0501052885	3/4 UNC X 450 FASTENER ASSY		01
17A	0521015426	3/4" X 18" FASTENER		01
17B	0502011860	SPRING LOWER SUPPORT		01
17C	0503031575	2.5" X 12" X 0.5" COMPRESSION SPRING		02
17D	0502011866	SPRING UPPER SUPPORT		01
17E	0503010014	3/4" NUT		04

RIGHT SUPPORT



Item	Code	Description	See page	15
01	0501010984	FLAT WASHER 10,50 X 27 X 3,00 ZN	08	
02	0501011643	3/8 X 1" BOLT	04	
03	0503010001	3.2 X 5.5 RIVET	02	
04	0503010002	1800 GREASE FITTING	02	
05	0503010025	3/8" SPRING WASHER	08	
06	0503010026	3/8" NUT	08	
07	0503010179	LOCK WASHER	16	
08	0503010257	1/8" X 1" COTTERPIN	08	
09	0503010337	5/16" NUT	16	
10	0503010371	5/16" X 1" BOLT	09	
11	0503010523	1/4" X 2" COTTERPIN	01	
12	0503010561	SPRING PIN	01	
13	0503010849	3/8" X 1-1/2" BOLT	04	
14	0503011945	503050 CLAMPING RING (FOR AXLE)	01	
15	0503012104	501015 CLAMPING RING (FOR AXLE)	01	
16	0503012882	BEARING	02	
17	0503011953	5/16" X 1" BOLT	16	
18	0551019597	SEED REGULACION HANDLE	01	
19	0502012325	SEED REG BEARING	01	
20	0541015305	HANDLE SPINDLE	01	
21	0541015361	FLAT WASHER	08	
22	0503032423	LARGE DOSER	01	
23	0501010694	FLAT WASHER	16	
24	0503030886	SCALE DOSER	01	
25	0503031035	HITCH PIN CLIP	01	
26	0511015098	FLAT WASHER	02	
27	0503032990	SEED DISTRIBUTOR BOX ASSY	04	
28	0503061984	FERTILIZER HOPPER WITH 4 TRUNNELS	01	
29	0503060100	OPERATOR'S MANUAL STORAGE TUBE	01	
30	0521061856	HANDLE BOX FIXER WITH BUSHING	01	
31	0561017360	SEED DOSADOR SCALE SUPPORT	01	

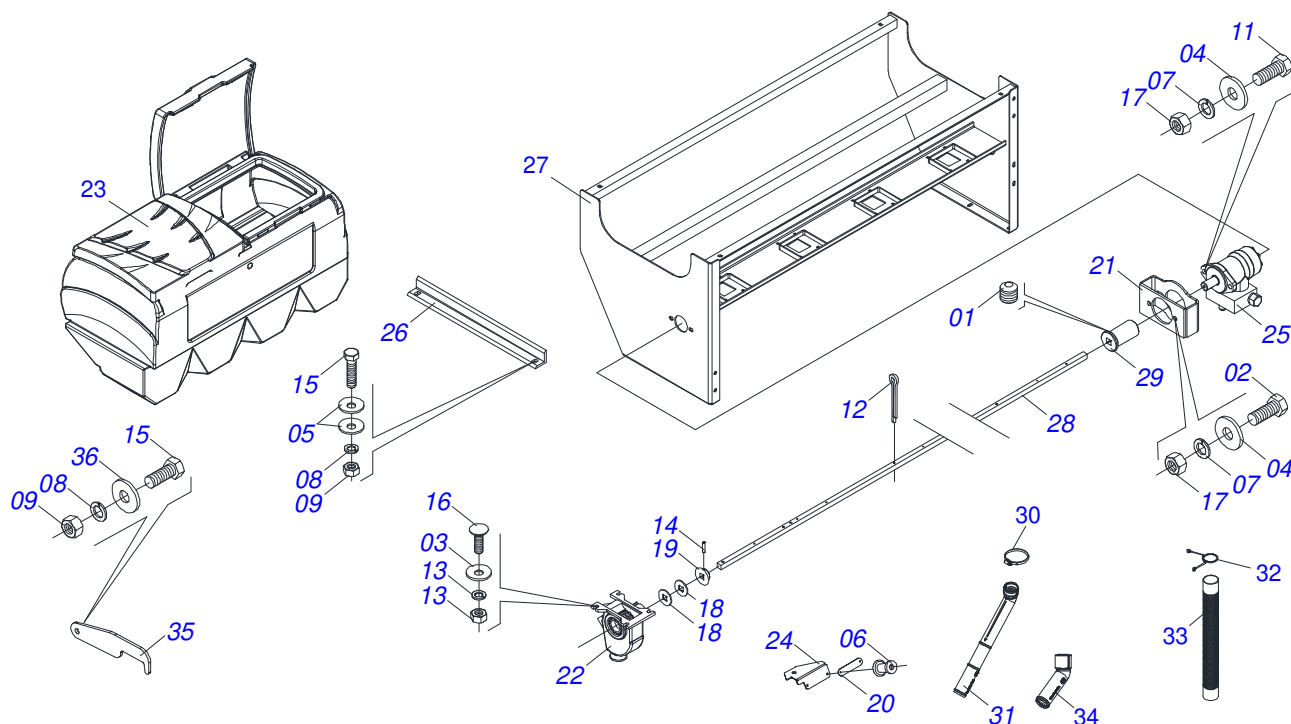


RIGHT SUPPORT

0511054449

Item	Code	Description	See page	15
32	0571014996	ANGLE BAR		02
33	0511052896	BEARING		01
33A	0501110359	OUTER BEARING ASSY		01
33B	0503010372	501050 CLAMPING RING (FOR AXLE)		01
33C	0503010751	C3/8" X 1.1/4" HEX BOLT G.5		02
33D	0501079140	GEAR BODY		01
34	0521064512	SUPPORT RIGHT BEAM SEED 04 MOUTHS		01
35	0571014998	CONTROL AXLE		01
36	0503010246	CLAMP		04
37	0503031826	CURVED CONDUCTOR		02
38	0503031076	2" HOSE CLAMP		10
39	0503031145	2" X 2" X 20" HOSE		05
40	0503031050	CURVED CONDUCTOR		04
41	0571013134	LADDER LOCK		01

LEFT SUPPORT



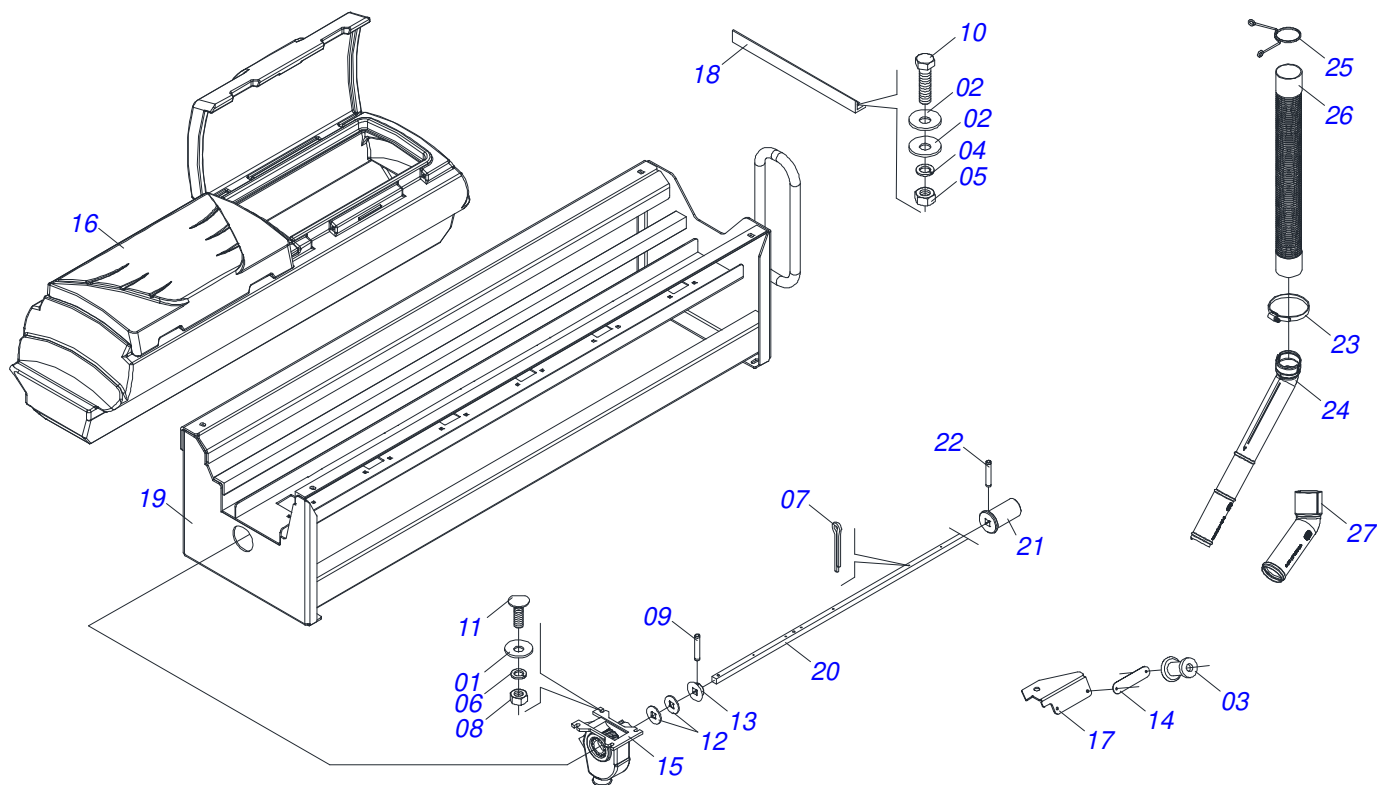
Item	Code	Description	See page	15
01	0503011136	BOLT 1/2 UNC X 1/2 S C S I 12.9	01	
02	0501010161	1/2" X 1.1/4" BOLT	02	
03	0501010694	FLAT WASHER	16	
04	0501010937	13,50 X 28 X 3,00 FLAT WASHER	04	
05	0501010984	FLAT WASHER 10,50 X 27 X 3,00 ZN	08	
06	0503010001	3.2 X 5.5 RIVET	02	
07	0503010019	1/2" SPRING WASHER	04	
08	0503010025	3/8" SPRING WASHER	04	
09	0503010026	3/8" NUT	04	
10	0503010179	LOCK WASHER	16	
11	0503010238	BOLT 1/2 UNC X 1.3/4 CS G.2 ZN	02	
12	0503010257	1/8" X 1" COTTERPIN	08	
13	0503010337	5/16" NUT	16	
14	0503010561	SPRING PIN	01	
15	0503010849	3/8" X 1-1/2" BOLT	05	
16	0503011953	5/16" X 1" BOLT	16	
17	0503010060	1/2" NUT	04	
18	0541015361	FLAT WASHER	08	
19	0503032423	LARGE DOSER	01	
20	0503030886	SCALE DOSER	01	
21	0511060346	FIXER MOTOR SUPPORT	01	
22	0503032990	SEED DISTRIBUTOR BOX ASSY	04	
23	0503061984	FERTILIZER HOPPER WITH 4 TRUNNELS	01	
24	0561017360	SEED DOSADOR SCALE SUPPORT	01	
25	0501053421	VALVE MOTOR HYDRAULIC ASSY	01	
26	0571014996	ANGLE BAR	02	
27	0521064514	SUPPORT LEFT BEAM SEED 04 MOUTHS	01	
28	0571015000	MOTOR SHAFT	01	
29	0521064390	SLEEVE	01	
30	0503010246	CLAMP	04	
31	0503031826	CURVED CONDUCTOR	02	



LEFT SUPPORT

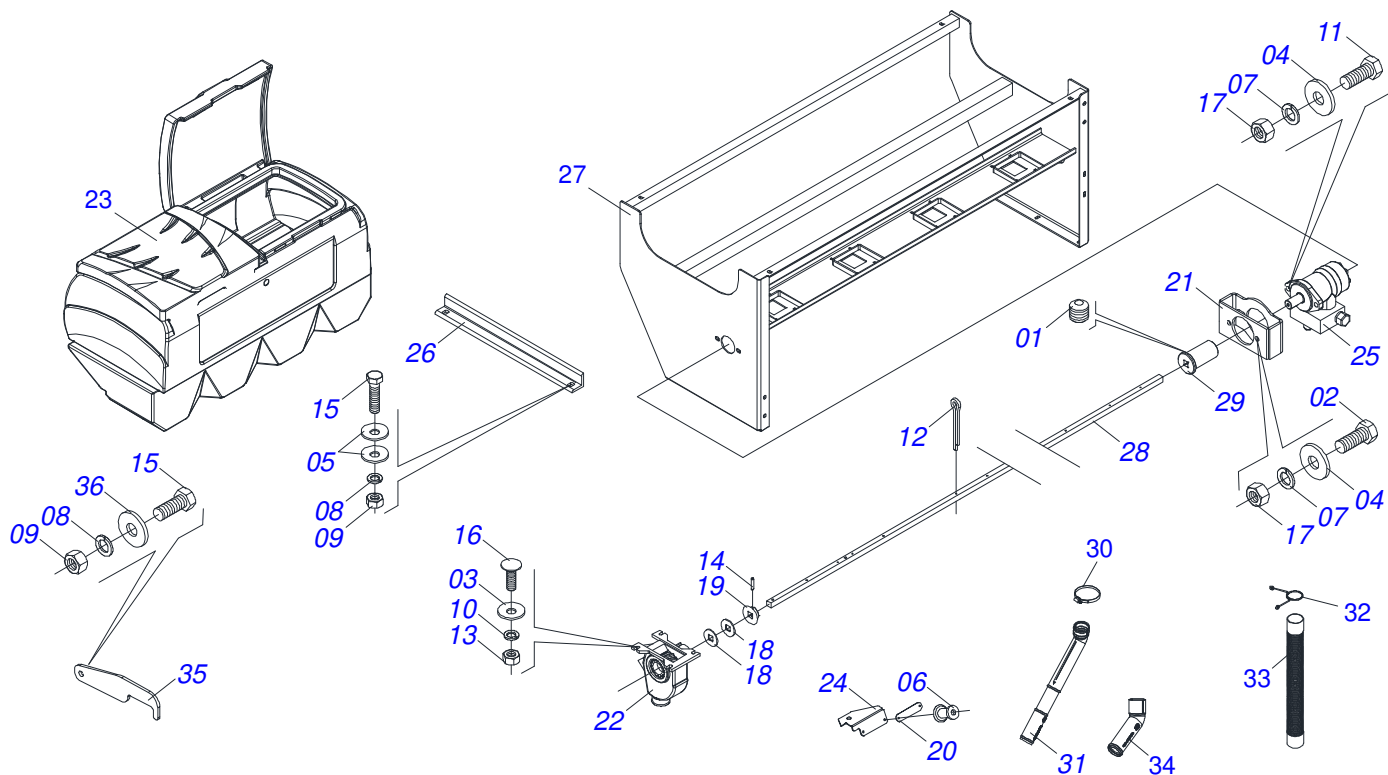
0511054445

Item	Code	Description	See page	15
32	0503031076	2" HOSE CLAMP		08
33	0503031145	2" X 2" X 20" HOSE		07
34	0503031826	CURVED CONDUCTOR		04
35	0571013134	LADDER LOCK		01
36	0511017302	FLAT WASHER		01



Item	Code	Description	See page	17
01	0501010694	FLAT WASHER		24
02	0501010984	FLAT WASHER 10,50 X 27 X 3,00 ZN		08
03	0503010001	3.2 X 5.5 RIVET		02
04	0503010025	3/8" SPRING WASHER		04
05	0503010026	3/8" NUT		04
06	0503010179	LOCK WASHER		24
07	0503010257	1/8" X 1" COTTERPIN		12
08	0503010337	5/16" NUT		24
09	0503010561	SPRING PIN		01
10	0503010849	3/8" X 1-1/2" BOLT		04
11	0503011953	5/16" X 1" BOLT		24
12	0541015361	FLAT WASHER		07
13	0503032423	LARGE DOSER		01
14	0503030886	SCALE DOSER		01
15	0503032990	SEED DISTRIBUTOR BOX ASSY		06
16	0503061989	BEAM SEED		01
17	0561017360	SEED DOSADOR SCALE SUPPORT		01
18	0571013100	ANGLE BAR		02
19	0521064618	SUPPORT CENTRAL SILO SEED		01
20	0571015300	CENTRAL AXLE		01
21	0521064378	SLEEVE		02
22	0503010756	0.2" X 2.4" SPRING PIN		04
23	0503010246	CLAMP		06
24	0503031826	CURVED CONDUCTOR		04
25	0503031076	2" HOSE CLAMP		12
26	0503031145	2" X 2" X 20" HOSE		06
27	0503031050	CURVED CONDUCTOR		03

LEFT SUPPORT



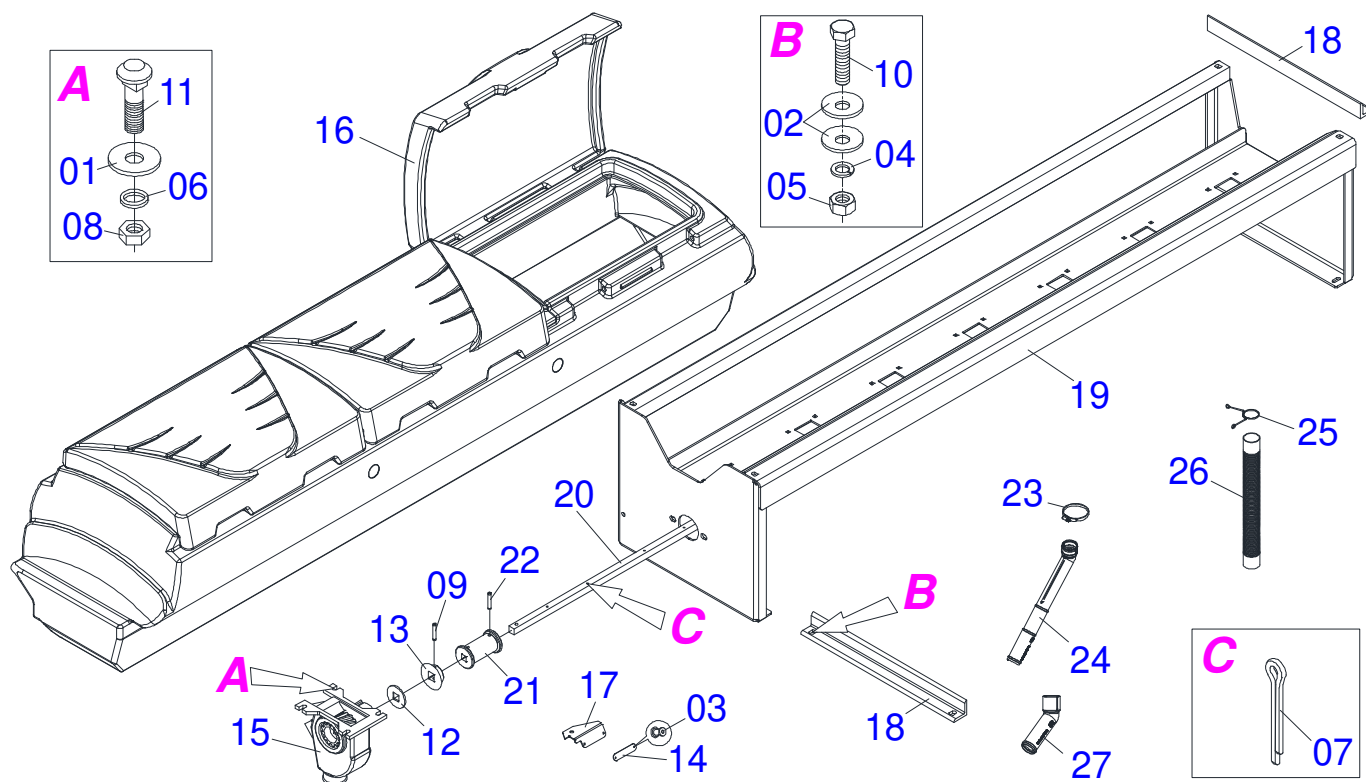
Item	Code	Description	See page	17/19
01	0503011136	BOLT 1/2 UNC X 1/2 S C S I 12.9	01	01
02	0501010161	1/2" X 1.1/4" BOLT	02	02
03	0501010694	FLAT WASHER	24	24
04	0501010937	13,50 X 28 X 3,00 FLAT WASHER	04	04
05	0501010984	FLAT WASHER 10,50 X 27 X 3,00 ZN	08	08
06	0503010001	3.2 X 5.5 RIVET	02	02
07	0503010019	1/2" SPRING WASHER	04	04
08	0503010025	3/8" SPRING WASHER	04	04
09	0503010026	3/8" NUT	04	04
10	0503010179	LOCK WASHER	24	24
11	0503010238	BOLT 1/2 UNC X 1.3/4 CS G.2 ZN	02	02
12	0503010257	1/8" X 1" COTTERPIN	12	12
13	0503010337	5/16" NUT	24	24
14	0503010561	SPRING PIN	01	01
15	0503010849	3/8" X 1-1/2" BOLT	04	04
16	0503011953	5/16" X 1" BOLT	24	24
17	0503010060	1/2" NUT	04	04
18	0541015361	FLAT WASHER	12	12
19	0503032423	LARGE DOSER	01	01
20	0503030886	SCALE DOSER	01	01
21	0511060346	FIXER MOTOR SUPPORT	01	01
22	0503032990	SEED DISTRIBUTOR BOX ASSY	06	06
23	0503061989	BEAM SEED	01	01
24	0561017360	SEED DOSADOR SCALE SUPPORT	01	01
25	0501053421	VALVE MOTOR HYDRAULIC ASSY	01	01
26	0571013100	ANGLE BAR	02	02
27	0521064486	SUPPORT LEFT BEAM SEED 06 MOUTHS	01	01
28	0571014891	MOTOR SHAFT	01	01
29	0521064390	SLEEVE	01	01
30	0503010246	CLAMP	06	06
31	0503031826	CURVED CONDUCTOR	03	03



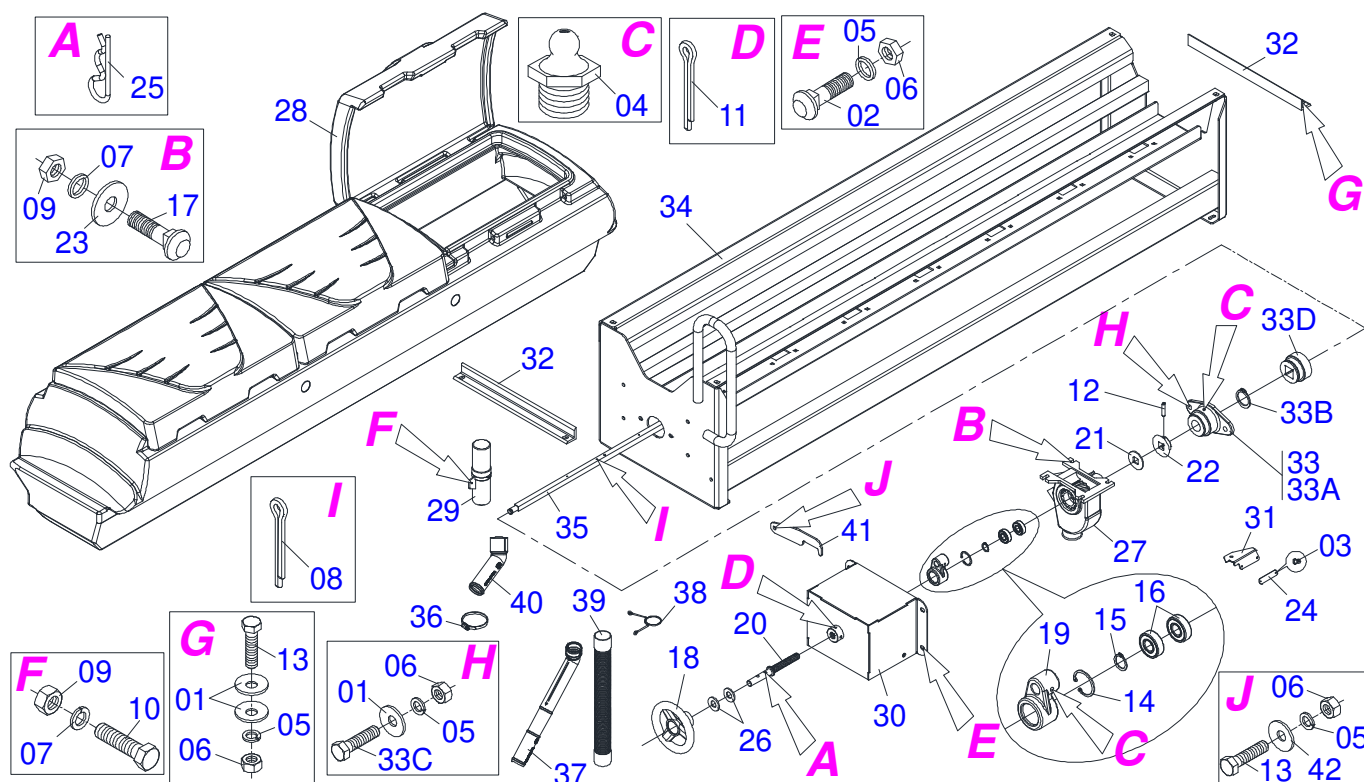
LEFT SUPPORT

0511054398

Item	Code	Description	See page	17/19
32	0503031076	2" HOSE CLAMP		12
33	0503031145	2" X 2" X 20" HOSE		06
34	0503031826	CURVED CONDUCTOR		04
35	0571013134	LADDER LOCK		01
36	0511017302	FLAT WASHER		01



Item	Code	Description	See page	19/21
00	0511053943	SUPPORT CENTRAL SILO		01
01	0501010694	FLAT WASHER		28
02	0501010984	FLAT WASHER 10,50 X 27 X 3,00 ZN		08
03	0503010001	3.2 X 5.5 RIVET		02
04	0503010025	3/8" SPRING WASHER		04
05	0503010026	3/8" NUT		04
06	0503010179	LOCK WASHER		28
07	0503010257	1/8" X 1" COTTERPIN		16
08	0503010337	5/16" NUT		28
09	0503010561	SPRING PIN		01
10	0503010849	3/8" X 1-1/2" BOLT		04
11	0503011953	5/16" X 1" BOLT		28
12	0541015361	FLAT WASHER		14
13	0503032423	LARGE DOSER		01
14	0503030886	SCALE DOSER		01
15	0503032990	SEED DISTRIBUTOR BOX ASSY		07
16	0503061901	REAR SEED/FERTILIZER BEAM ASSY		01
17	0561017360	SEED DOSADOR SCALE SUPPORT		01
18	0571013100	ANGLE BAR		02
19	0521064371	SUPPORT CENTRAL SILO SEED		01
20	0571014648	CENTRAL AXLE		01
21	0521064378	SLEEVE		02
22	0503010756	0.2" X 2.4" SPRING PIN		04
23	0503010246	CLAMP		07
24	0503031826	CURVED CONDUCTOR		04
25	0503031076	2" HOSE CLAMP		14
26	0503031145	2" X 2" X 20" HOSE		07
27	0503031050	CURVED CONDUCTOR		03

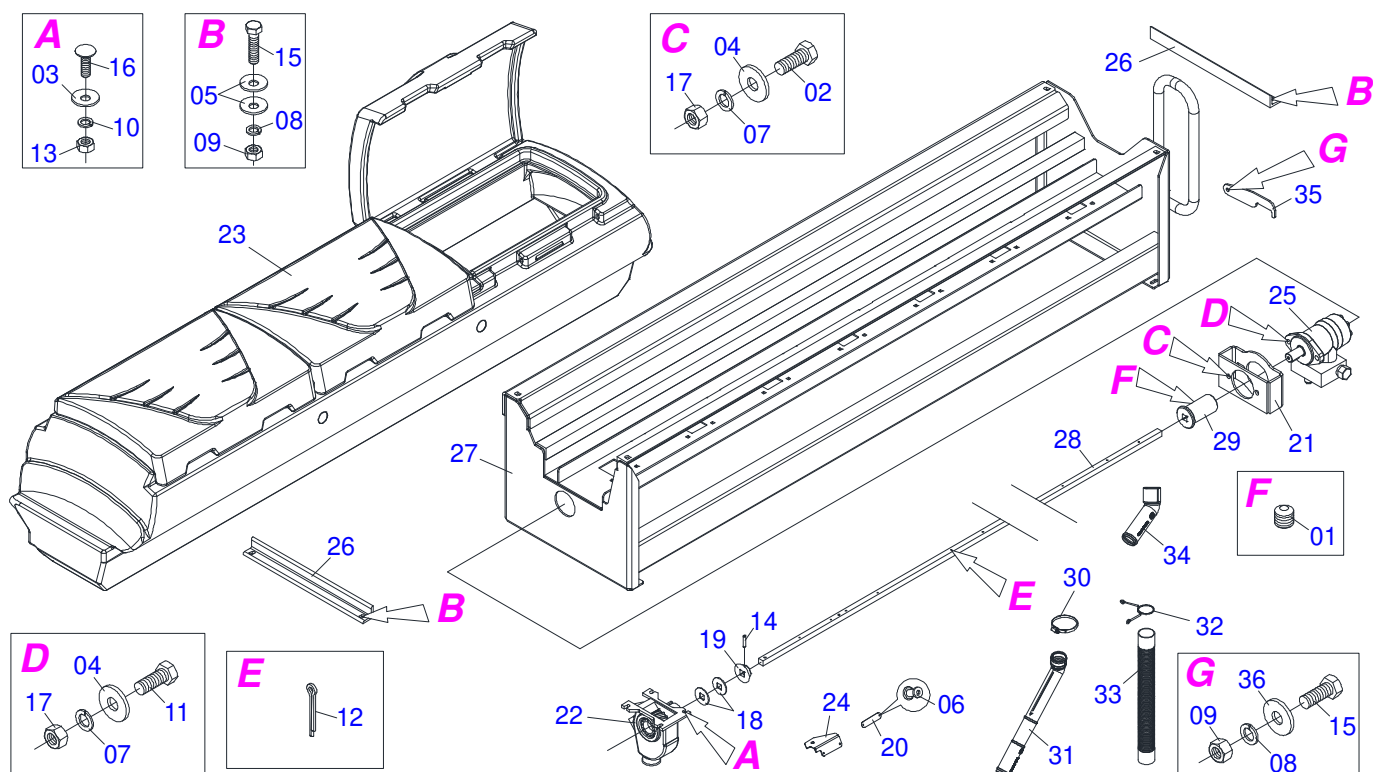


Item	Code	Description	See page	21
00	0511053934	RIGHT SUPPORT		01
01	0501010984	FLAT WASHER 10,50 X 27 X 3,00 ZN		10
02	0501011643	3/8 X 1"BOLT		04
03	0503010001	3.2 X 5.5 RIVET		02
04	0503010002	1800 GREASE FITTING		02
05	0503010025	3/8" SPRING WASHER		11
06	0503010026	3/8" NUT		11
07	0503010179	LOCK WASHER		29
08	0503010257	1/8" X 1" COTTERPIN		14
09	0503010337	5/16" NUT		29
10	0503010371	5/16" X 1" BOLT		01
11	0503010523	1/4" X 2" COTTERPIN		01
12	0503010561	SPRING PIN		01
13	0503010849	3/8" X 1-1/2" BOLT		05
14	0503011945	503050 CLAMPING RING (FOR AXLE)		01
15	0503012104	501015 CLAMPING RING (FOR AXLE)		01
16	0503012882	BEARING		02
17	0503011953	5/16" X 1" BOLT		28
18	0551019597	SEED REGULACION HANDLE		01
19	0502012325	SEED REG BEARING		01
20	0541015305	HANDLE SPINDLE		01
21	0541015361	FLAT WASHER		14
22	0503032423	LARGE DOSER		01
23	0501010694	FLAT WASHER		28
24	0503030886	SCALE DOSER		01
25	0503031035	HITCH PIN CLIP		01
26	0511015098	FLAT WASHER		02
27	0503032990	SEED DISTRIBUTOR BOX ASSY		07
28	0503061901	REAR SEED/FERTILIZER BEAM ASSY		01
29	0503060100	OPERATOR'S MANUAL STORAGE TUBE		01
30	0521061856	HANDLE BOX FIXER WITH BUSHING		01



EST/MATIC 300 - 09/11/13/15/17 ROD
SUPPORT RIGHT BEAN 7 MOUTHS

Item	Code	Description	See page	21
31	0561017360	SEED DOSADOR SCALE SUPPORT		01
32	0571013100	ANGLE BAR		02
33	0511052896	BEARING		01
33A	0501110359	OUTER BEARING ASSY		01
33B	0503010372	501050 CLAMPING RING (FOR AXLE)		01
33C	0503010751	C3/8" X 1.1/4" HEX BOLT G.5		02
33D	0501079140	GEAR BODY		01
34	0521064372	SUPPORT RIGHT BEAM SEED 07 MOUTHS		01
35	0571014646	SQUARE SHAFT		01
36	0503010246	CLAMP		07
37	0503031826	CURVED CONDUCTOR		03
38	0503031076	2" HOSE CLAMP		14
39	0503031145	2" X 2" X 20" HOSE		07
40	0503031050	CURVED CONDUCTOR		04
41	0571013134	LADDER LOCK		01
42	0501010984	FLAT WASHER 10,50 X 27 X 3,00 ZN		05



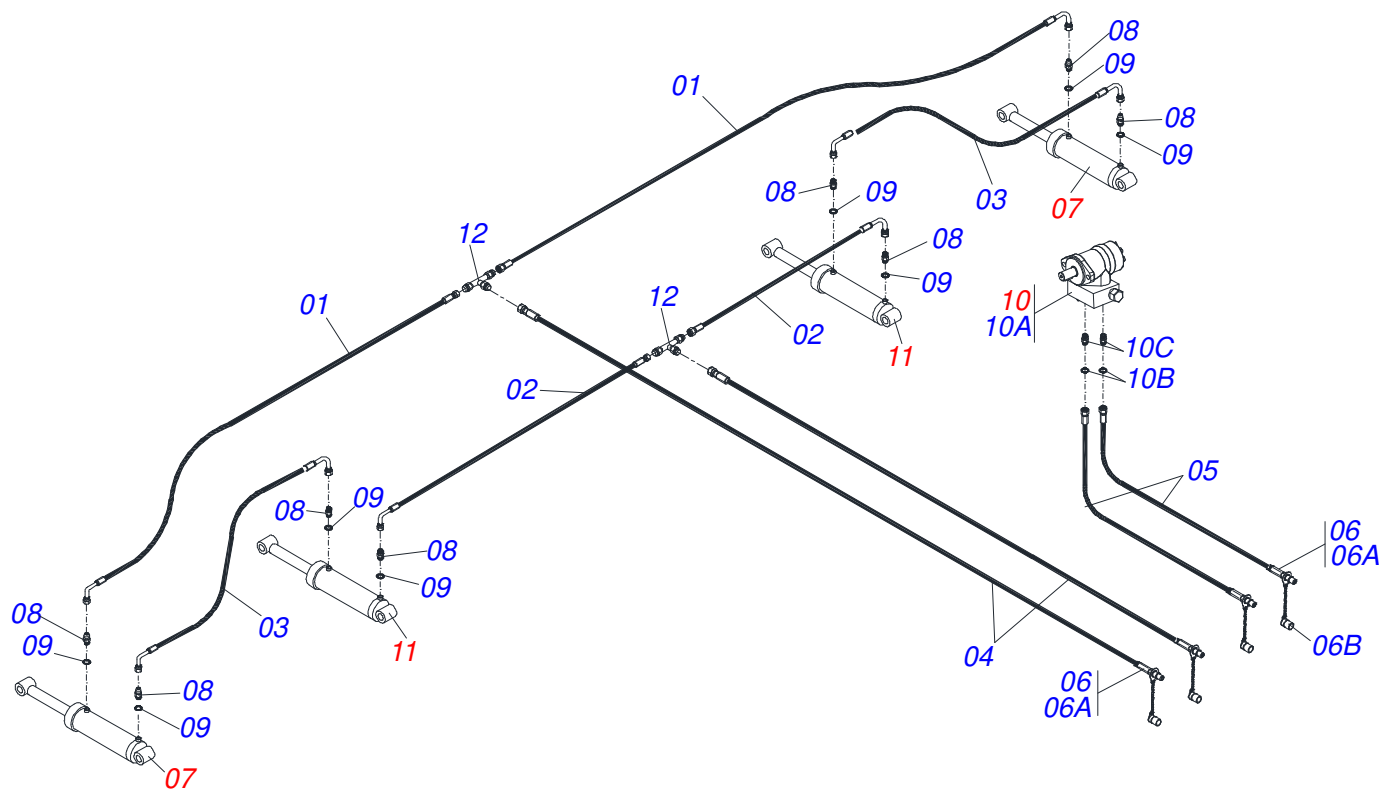
Item	Code	Description	See page	21
00	0511053944	LEFT SUPPORT		01
01	0503011136	BOLT 1/2 UNC X 1/2 S C S I 12.9		01
02	0501010161	1/2" X 1.1/4" BOLT		02
03	0501010694	FLAT WASHER		28
04	0501010937	13,50 X 28 X 3,00 FLAT WASHER		04
05	0501010984	FLAT WASHER 10,50 X 27 X 3,00 ZN		08
06	0503010001	3.2 X 5.5 RIVET		02
07	0503010019	1/2" SPRING WASHER		04
08	0503010025	3/8" SPRING WASHER		05
09	0503010026	3/8" NUT		05
10	0503010179	LOCK WASHER		28
11	0503010238	BOLT 1/2 UNC X 1.3/4 CS G.2 ZN		02
12	0503010257	1/8" X 1" COTTERPIN		14
13	0503010337	5/16" NUT		28
14	0503010561	SPRING PIN		01
15	0503010849	3/8" X 1-1/2" BOLT		05
16	0503011953	5/16" X 1" BOLT		28
17	0503010060	1/2" NUT		04
18	0541015361	FLAT WASHER		14
19	0503032423	LARGE DOSER		01
20	0503030886	SCALE DOSER		01
21	0511060346	FIXER MOTOR SUPPORT		01
22	0503032990	SEED DISTRIBUTOR BOX ASSY		07
23	0503061901	REAR SEED/FERTILIZER BEAM ASSY		01
24	0561017360	SEED DOSADOR SCALE SUPPORT		01
25	0501053421	VALVE MOTOR HYDRAULIC ASSY		01
26	0571013100	ANGLE BAR		02
27	0521064370	SUPPORT LEFT BEAM SEED		01
28	0571014675	SIDE AXLE		01
29	0521064390	SLEEVE		01
30	0503010246	CLAMP		07



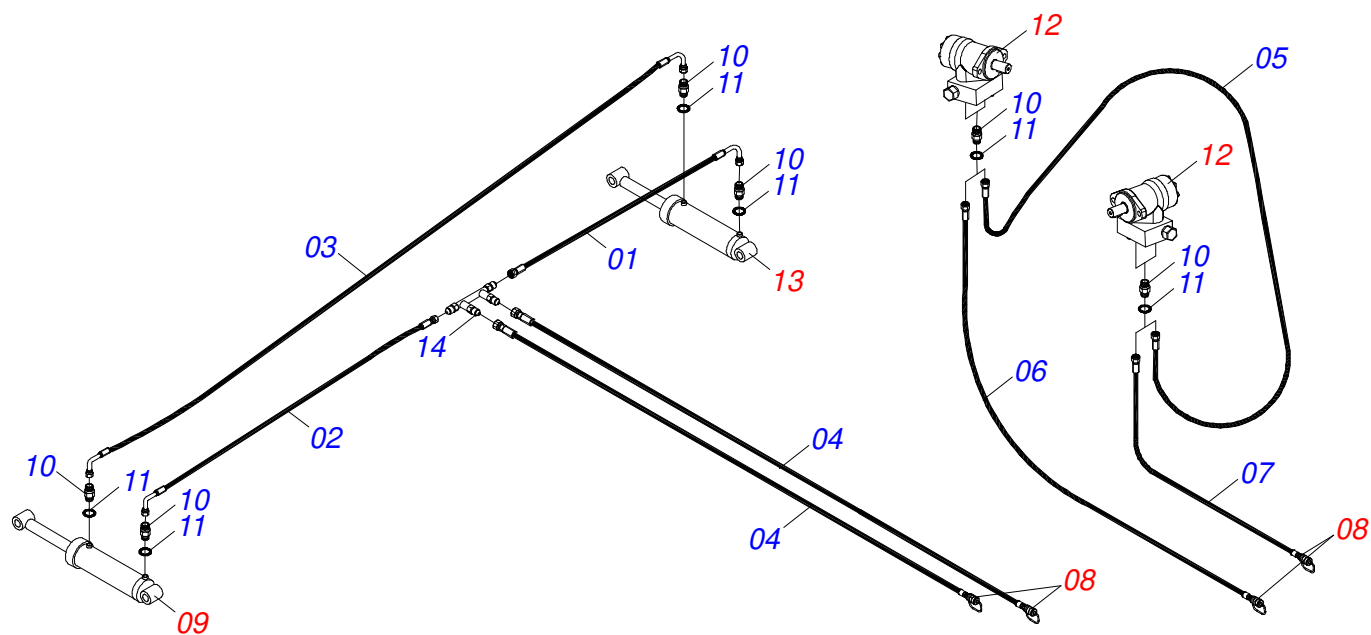
EST/MATIC 300 - 09/11/13/15/17 ROD
SUPPORT WITH BEAM 7 MOUTHS/MOTOR

Page 22
0909094645

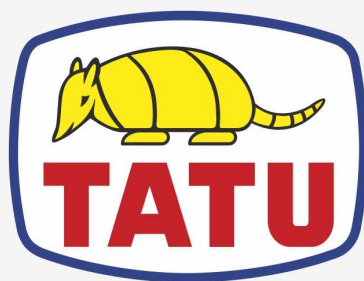
Item	Code	Description	See page	21
31	0503031826	CURVED CONDUCTOR		03
32	0503031076	2" HOSE CLAMP		14
33	0503031145	2" X 2" X 20" HOSE		07
34	0503031826	CURVED CONDUCTOR		04
35	0571013134	LADDER LOCK		01
36	0511017302	FLAT WASHER		01



Item	Code	Description	See page	QT
01	0501080515	HOSE 3/8 X 3400 TR-TC		02
02	0501080025	3/8 X 1400 TR-TC HOSE		02
03	0501081108	3/8 X 1400 TC-TC HOSE		02
04	0501080509	TR-TM HOSE ASSY		02
05	0501081909	TR-TM HOSE ASSY		02
06	0501053834	MALE QUICK COUPLER		04
07	0521040915	HYDRAULIC CYLINDER 44,45 X 85,7 X 515 X 203	5	02
08	0501010617	3/4" NIPPLE		08
09	0503010190	2-114 N 3006-9B O'RING		08
10	0501053421	VALVE MOTOR HYDRAULIC ASSY		01
11	0521040391	HYDRAULIC CYLINDER 53,98 X 101,6 X 515 X 203	4	02
12	0501072676	OIL DISTRIBUTOR BODY		02



Item	Code	Description	See page	09/11/13/15
01	0501080436	3/8 X 1600 TR-TC HOSE		01 01 01 01
02	0501080348	3/8 X 1200 TR-TC HOSE		01 01 01 01
03	0501080746	TC-TC HOSE ASSY		01 01 01 01
04	0501080384	TR-TM HOSE ASSY		02 02 02 02
05	0501081686	HOSE		00 00 00 01
06	0501081909	TR-TM HOSE ASSY		00 00 00 01
07	0501081911	HOSE 1/2 X 7500 TR-TM		00 00 00 01
08	0501053834	MALE QUICK COUPLER		02 02 02 04
09	0521040915	HYDRAULIC CYLINDER 44,45 X 85,7 X 515 X 203	5	02 02 02 02
10	0501010617	3/4" NIPPLE		04 04 04 04
11	0503010190	2-114 N 3006-9B O'RING		08 08 08 10
12	0501053421	VALVE MOTOR HYDRAULIC ASSY		00 00 00 02
13	0521040391	HYDRAULIC CYLINDER 53,98 X 101,6 X 515 X 203	4	02 02 02 02
14	0501068088	OIL TUBE		01 01 01 01



MARCHESAN

Technical Publications | Elaboration and Revision

ALESSANDRA PATRICIA KAWAHARA CARRILI

www.marchesan.com.br

