

PARTS CATALOGUE

DOUBLE OFFSET DISK HARROW

Code:

0501091021

Product:

TDHR 5007T



Series:

S-0308

Revision:

00

Date Revision:

FEVEREIRO/2014



PRODUCTS

Code	Description
0102430575	TDHR 5007T 68X22X4 DM MT S-0308
0102430595	TDHR 5007T 68X22X4DM MT S/PN S-0308

ATTENTION: IMPORTANT

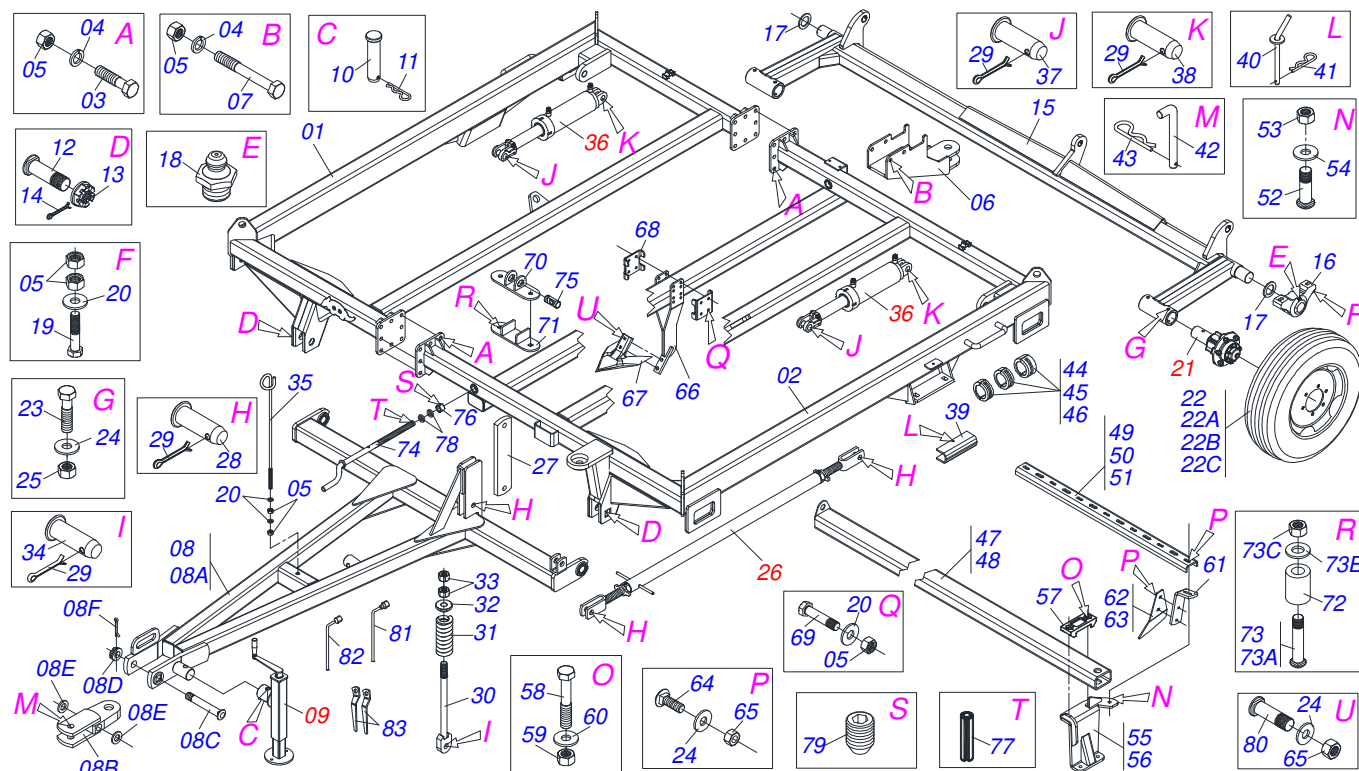
Marchesan S.A. reserves the right to improve and / or modify the technical features of its products, without obligation to do the same with those products already sold and without prior knowledge of the dealer or the consumer.



MARCHESAN

INDEX

0909094647	FRAME ASSY	1
0511048088	DRAWBAR JACK	2
0511047586	STABILIZER TURNBUCKLE	3
0511041598	1.75" X 3" X 20"X 8" HYDRAULIC CYLINDER	4
0501055262	STUB SHAFT & HUB ASSY	5
0909094649	FRONT GANG DISC	6
0909094650	GANG DISC REAR	7
0511041365	BEARING	8
0909094648	HYDRAULIC CIRCUIT	9



Item	Code	Description	See page	68 DISCOS
01	0511069797	SEMI FRAME RIGHT		01
02	0511069805	SEMI FRAME LEFT		01
03	0501010098	3/4" UNC BOLT		16
04	0503010023	3/4" SPRING WASHER		18
05	0503010014	3/4" NUT		32
06	0521061772	REAR HITCH		01
07	0503015757	3/4 UNC X 7 C S G.2 ZN SCREW		02
08	0511047139	DRAWBAR ASSY		01
08A	0511069774	DRAWBAR		01
08B	0511066235	TRACTOR HITCH		01
08C	0531019124	1.5" X 9.6" COUPLING SHAFT		01
08D	0501011301	1.1/2 UNC 6FPP 2.5/16 NUT		01
08E	0521011100	FLAT WASHER		02
08F	0503010010	1/4" X 2.1/2" COTTERPIN		01
09	0511048088	DRAWBAR JACK	2	01
10	0561014251	COUPLING SHAFT		01
11	0503030012	HAIR PIN		01
12	0521017538	11-1/2" X 5" COUPLING SHAFT		02
13	0501011301	1.1/2 UNC 6FPP 2.5/16 NUT		02
14	0503010010	1/4" X 2.1/2" COTTERPIN		02
15	0511069784	CARRYING-WHEELS SUPPORT		01
16	0502010006	ARTICULACION BEARING		02
17	0501017579	FLAT WASHER		02
18	0503010002	1800 GREASE FITTING		02
19	0503010797	3/4" X 4" BOLT		04
20	0501010322	FLAT WASHER		10
21	0501055262	STUB SHAFT & HUB ASSY	5	04
22	0503061666	11-15 12L WHEEL ASSY		04
22A	0503011469	RIB TIRE 12L		04
22B	0503011468	WEEL		04
22C	0503010860	CAMARA AR 11L 15		04



TDHR 5007T
FRAME ASSY

Item	Code	Description	See page	68 DISCOS
23	0503010547	1/2" X 4" BOLT		04
24	0511017302	FLAT WASHER		204
25	0503010060	1/2" NUT		04
26	0511047586	STABILIZER TURNBUCKLE	3	01
27	0561010980	STABILIZER BAR TOWER		01
28	0521010572	0.9" X 2.9" COUPLING SHAFT		03
29	0503010523	1/4" X 2" COTTERPIN		08
30	0501064699	SPRING ROD		01
31	0503030541	3.4" X 8.0" X 0.8" SPRING		01
32	0541011426	SPRING GUIDE		01
33	0501010087	1.1/4" NUT		02
34	0521010592	1.1" X 3.1" COUPLING SHAFT		01
35	0511067334	HOSE SOPPORT ASSY		01
36	0511041598	1.75" X 3" X 20"X 8" HYDRAULIC CYLINDER	4	02
37	0521010779	31.75 X 95 COUPLING SHAFT		02
38	0521010544	1.2" X 4.9" COUPLING SHAFT		02
39	0511010932	TRANSPORT LOCK		02
40	0501068994	0.3" X 3.1"LOCK PIN		02
41	0503030168	HAIR PIN		02
42	0521010453	AXI SHAFT		01
43	0503031035	HAIR PIN		01
44	0501047885	ROD STOP		02
45	0501047887	ROD STOP		02
46	0501047895	ROD STOP		02
47	0511069781	80 X 120 X 8,80 X 3205 TUBE		02
48	0511069782	80 X 120 X 8,80 X 3450 TUBE		02
49	0551019476	1646 BAR FIXER SCRAPER		04
50	0551019477	1252 BAR FIXER SCRAPER		02
51	0551019478	1449 BAR FIXER SCRAPER		02
52	0503013842	5/8" UNC X 1-3/4" BOLT		16
53	0503010013	5/8" NUT		16
54	0501012140	FLAT WASHER		16
55	0511065266	LEFT FRONT BRACKET REAR RIGHT		08
56	0511065942	RIGHT FRONT BRACKET REAR LEFT		08
57	0502012323	BRACKET FIXER		16
58	0501010191	1" X 6" BOLT		32
59	0501010059	1.5/8 NUT		32
60	0541010210	FLAT WASHER		32
61	0541015258	SCRAPER BODY		66
62	0541015256	SHOVEL SCRAPER		33
63	0541015257	SHOVEL SCRAPER		33
64	0501010243	1/2" X 1-1/2" BOLT		198
65	0503010020	1/2"NUT		200
66	0511065841	SUPPORT SWEEP		01
67	0628095654	CHISEL SWEEP		01
68	0541011468	EAR SUPPORT FIXER SHANKS		02
69	0501013475	3/4 UNC X 7.1/2 C S G.5 ZNBOLT		04
70	0511065265	REGULACION UPPER FRAME		02
71	0511065257	LOWER REGULACION FRAME		02
72	0541011408	SPACER 26.99 X 38.1 X 82		04
73	0501044075	1" X 6" ASSY BOLT		04
73A	0503011377	1" X 6" BOLT		04
73B	0541010210	FLAT WASHER		04
73C	0501010059	1.5/8 NUT		04
74	0511069780	JACK REGULATOR		02
75	0521011158	SPRING LOCKNUT		02
76	0541019090	32,50 X 50 X 32 SLEEVE		02
77	0503010292	0.2" X 1.6" SPRING PIN		02
78	0541011456	NYLON WASHER		04

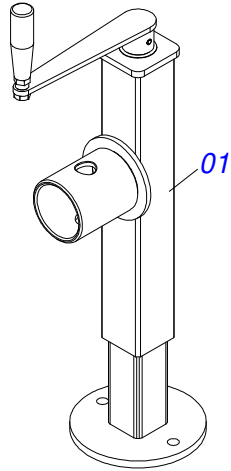


TDHR 5007T
FRAME ASSY

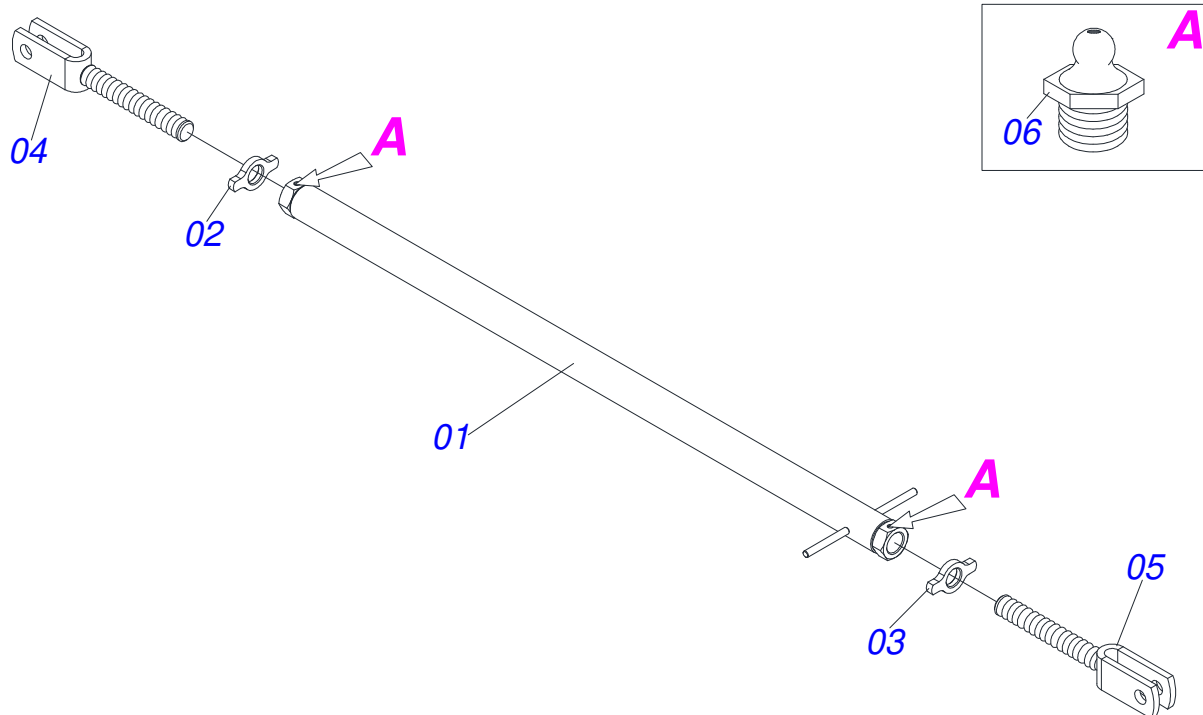
Page 1

0909094647

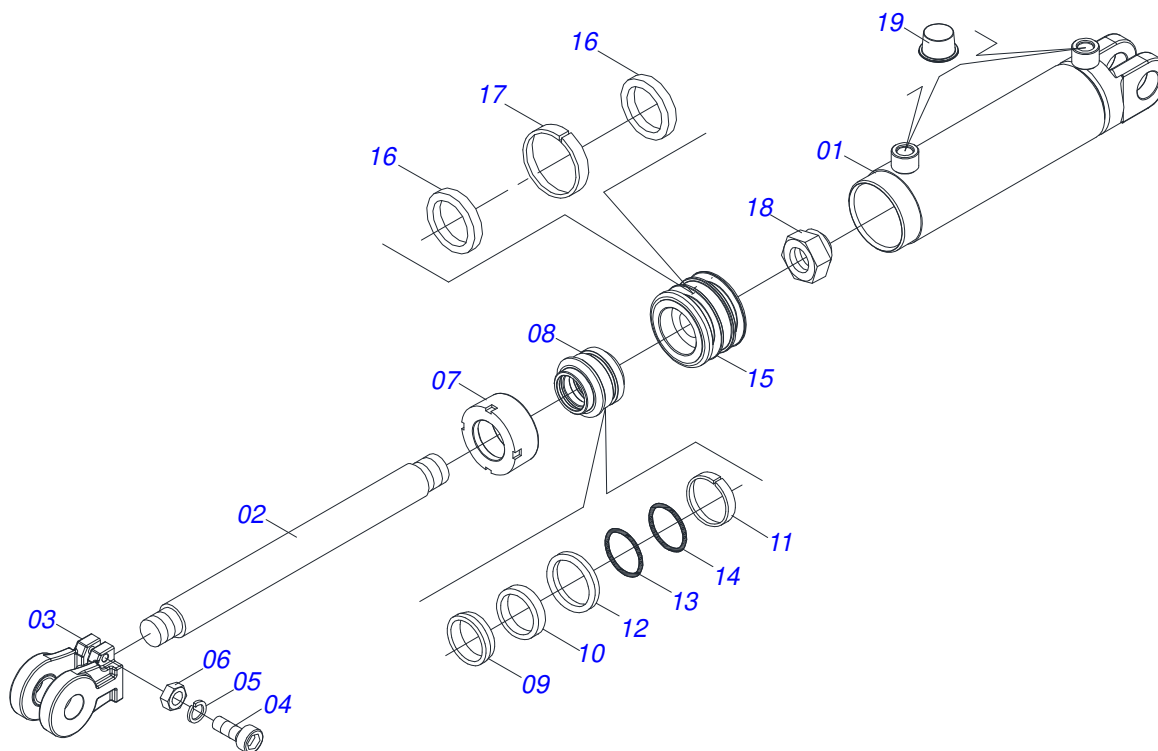
Item	Code	Description	See page	68 DISCOS
79	0503011148	3/8" X 1/2" BOLT		02
80	0501010141	1/2" X 2-1/2" BOLT		02
81	0501061617	1" GANG BOLT WRENCH		01
82	0501068273	5/8" WRENCH		01
83	0501011432	1-1/2" AND 1-5/8 GANG BOLT WRENCH		02



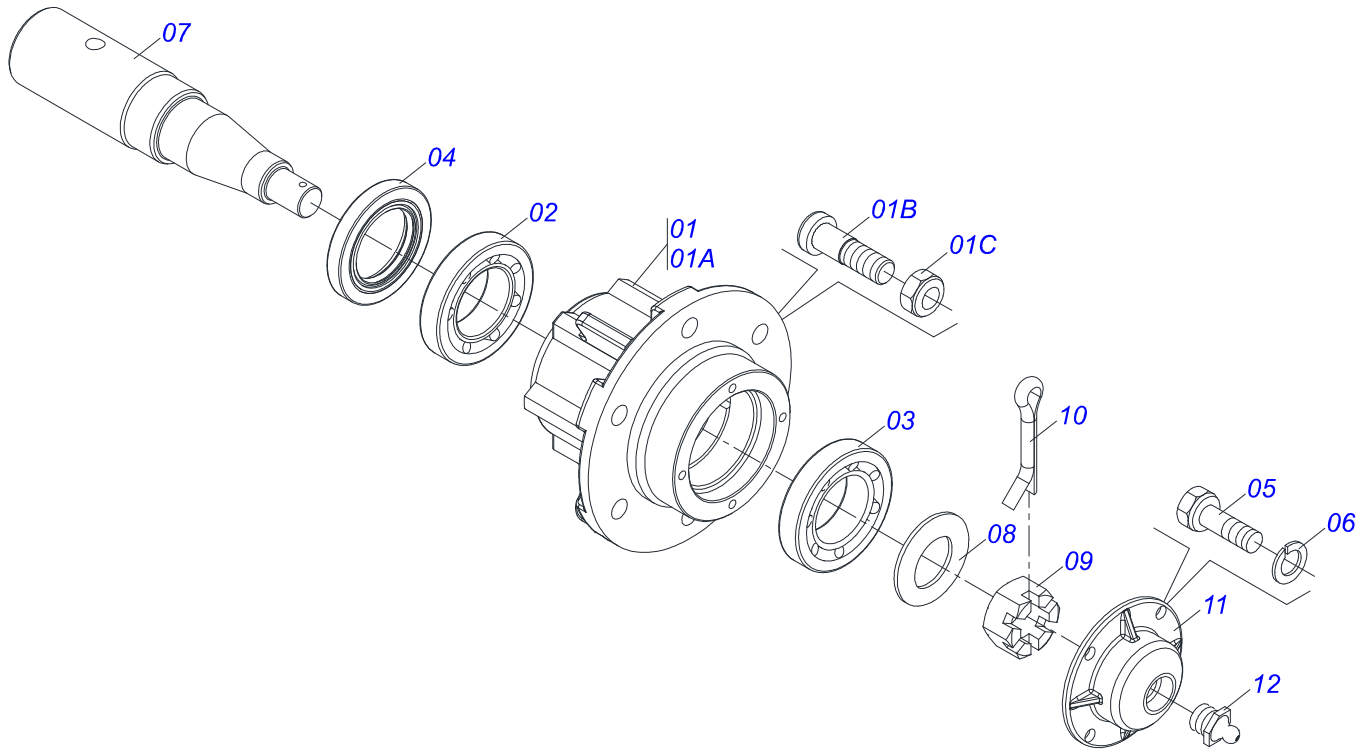
Item	Code	Description	See page	QT
01	0503062227	DRAWBAR JACK		01



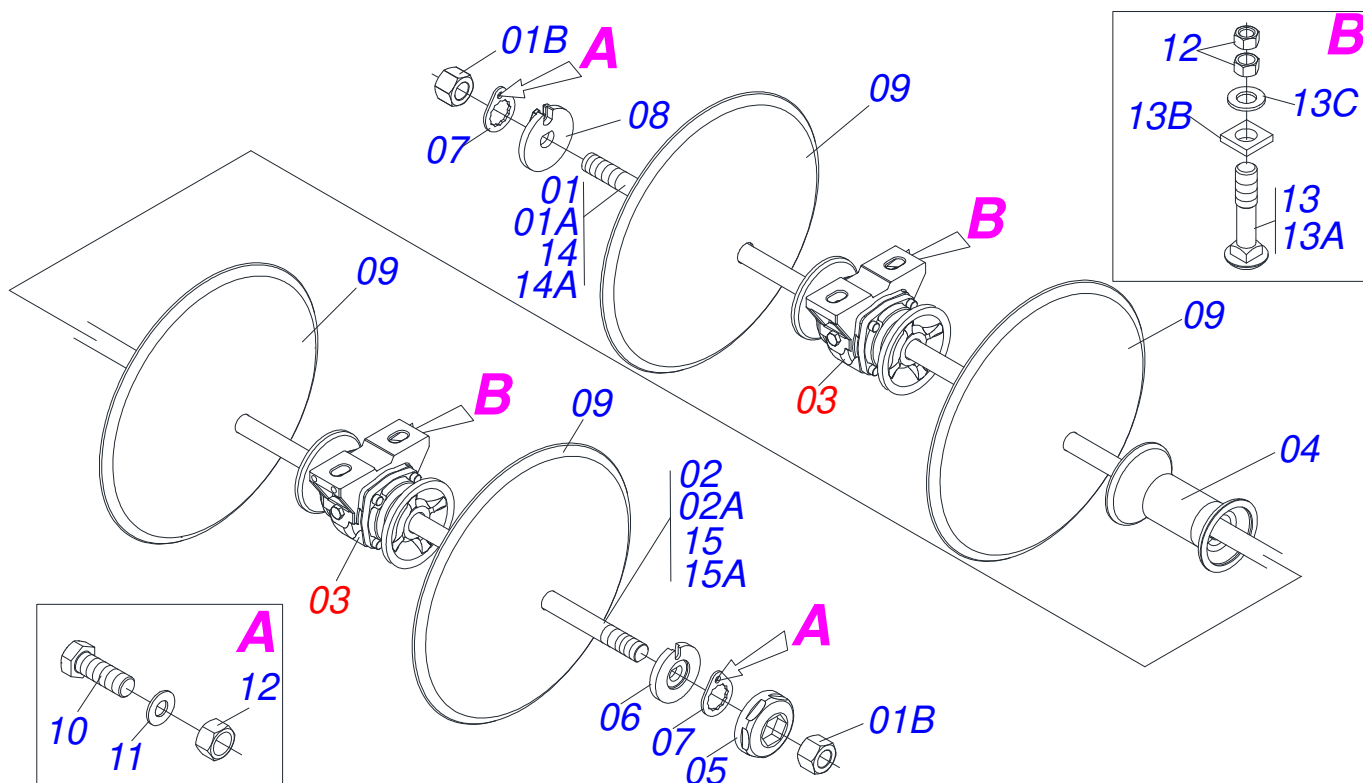
Item	Code	Description	See page	QT
00	0511047586	STABILIZER TURNBUCKLE	3	01
01	0521060189	1450 STABILIZER TURNBUCKLE		01
02	0541018672	COUNTERNUT		01
03	0541018673	COUNTERNUT		01
04	0511062887	RIGHT TURNBUCKLE		01
05	0511062888	LH TURNBUCKLE		01
06	0503010002	1800 GREASE FITTING		02



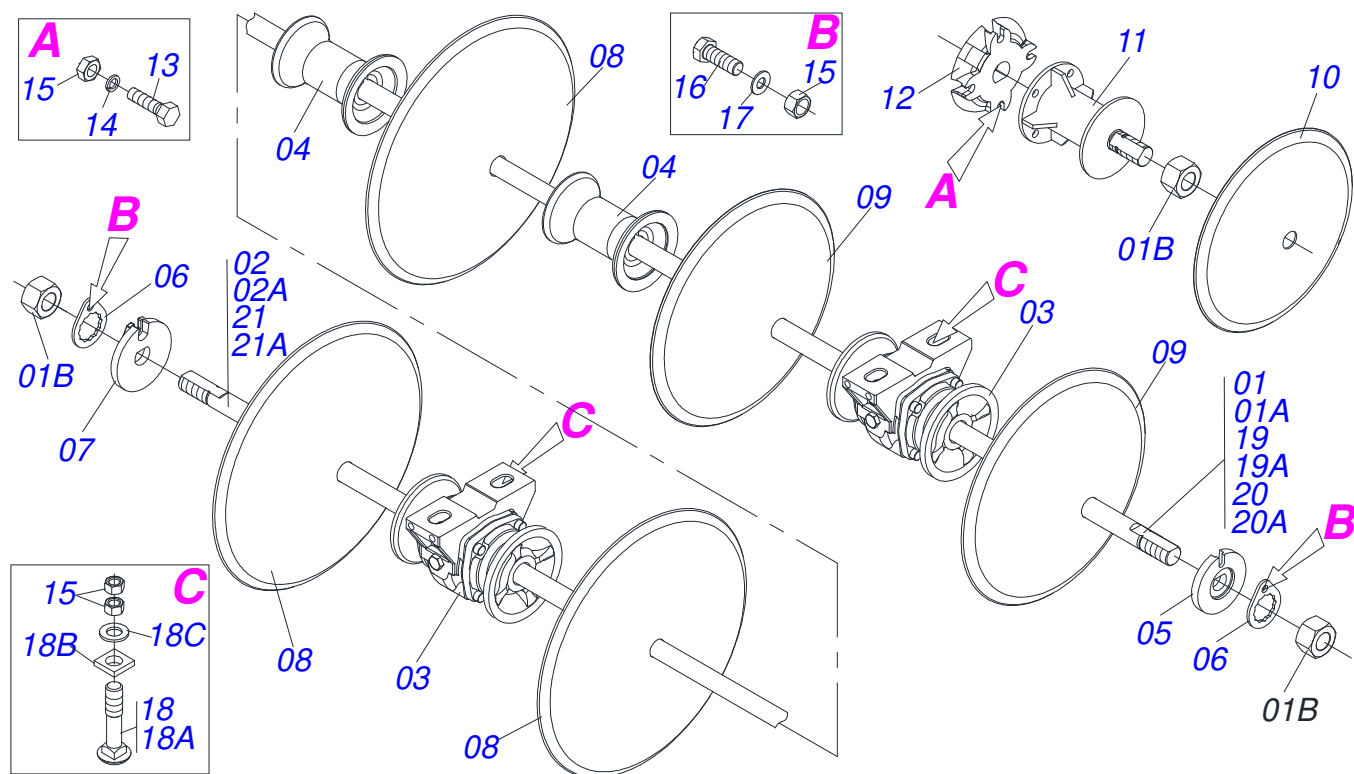
Item	Code	Description	See page	QT
01	0511064734	3" X 15" CYLINDER CASE		01
02	0531019381	1.7" X 16" TURNBUCLE		01
03	0502040747	32.54 CLEVIS CLAMP		01
04	0503011094	3/8" X 2" BOLT		01
05	0503010025	3/8" SPRING WASHER		01
06	0503010026	3/8" NUT		01
07	0502011899	MOBILE COVER		01
08	0502011897	RING SUPPORT		01
09	0503010761	D-1750 SCRAPER RING		01
10	0503010990	GASKET		01
11	0503010949	W2-2000-500 PK RING G.E		01
12	0503011059	8-334 BACK-UP RING		01
13	0503010343	2-334 N 3006-9B O'RING		01
14	0503010345	2-218 N 3006-9B O'RING		01
15	0502011898	1.8" X 3.0" PISTON		01
16	0503012768	3750-2250 GASKET		02
17	0503010992	W2-3000-500 PK RING G.E		01
18	0503010063	1" SELF-ALIGNING NUT		01
19	0503030384	CON PLUG N-001		02
20	0501033655	HYDRAULIC CYLINDER REPAIR KIT		01



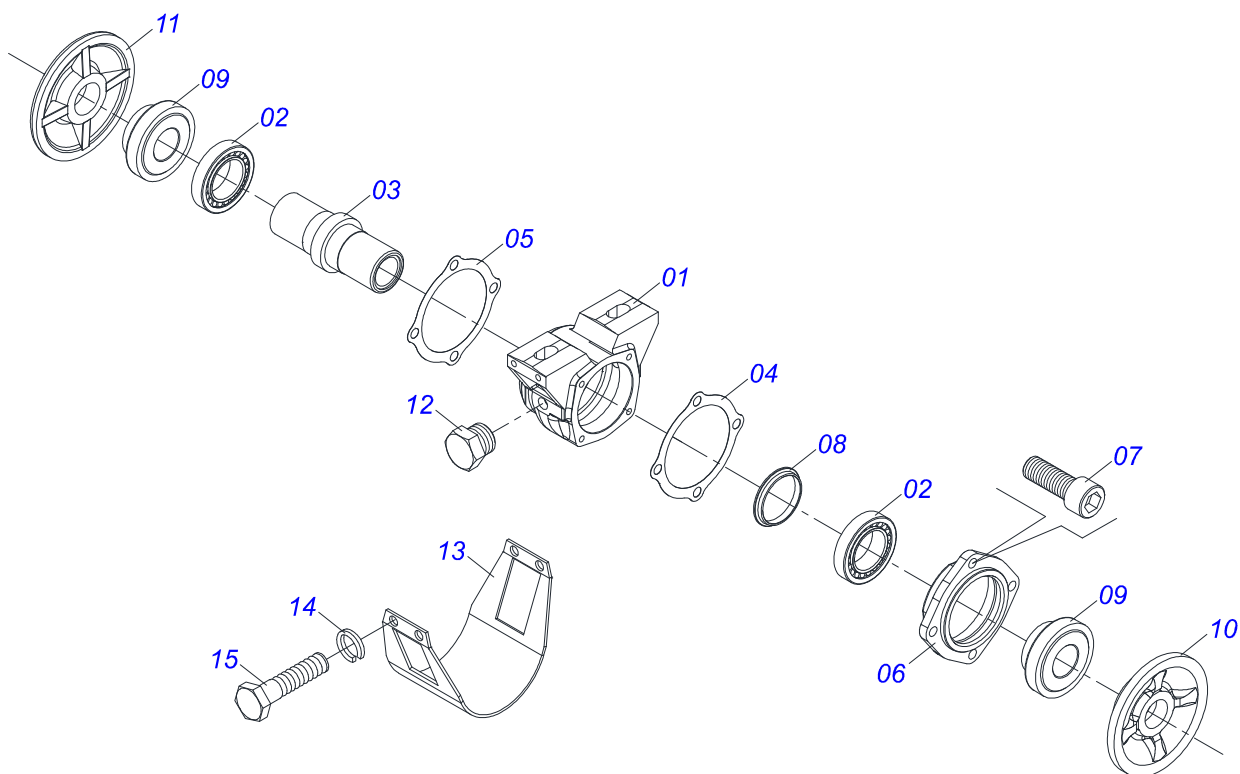
Item	Code	Description	See page	QT
01	0501110728	WHEEL HUB		01
01A	0502011121	CARRYING WHEEL HUB		01
01B	0501010127	9/16" X 1-7/8" LUG BOLT		06
01C	0503010035	9/16" CONIC NUT		06
02	0503012171	32210 ROLLER BEARING		01
03	0503012170	30207 ROLLER BEARING		01
04	0503012928	SEAL		01
05	0503010358	5/16" X 5/8" BOLT		04
06	0503011444	SPRING WASHER		04
07	0541010739	2.5" X 12.2" AXLE		01
08	0501016545	FLAT WASHER		01
09	0503030009	1" CASTLE NUT		01
10	0503010018	5/32 X 1-1/2 COTTERPIN		01
11	0502020591	PROTECCION COVER		01
12	0503010002	1800 GREASE FITTING		01



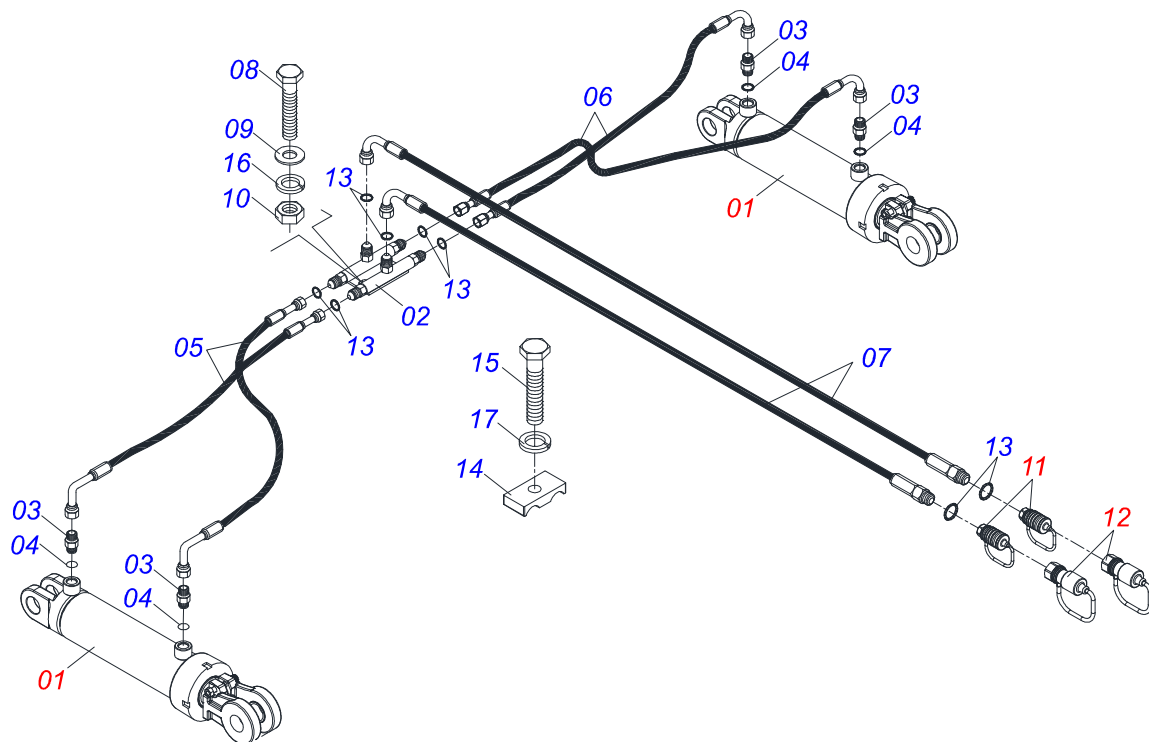
Item	Code	Description	See page	52	68
01	0501044105	1.1/2 X 1305 AXLE W/NUT		01	02
01A	0511011914	1.1/2 X 1305 AXLE		01	02
01B	0501010110	1.1/2" NUT		08	08
02	0511047140	1.1/2 UNC 6FPP X 1880 AXLE W/NUTS		00	02
02A	0511069822	1.1/2 UNC 6FPP X 1880 AXLE W/NUTS		00	02
03	0511041365	BEARING	8	08	08
04	0502010627	SPACER		14	22
05	0502010619	1.1/2 EXTERNAL AXLE WASHER		04	04
06	0502010871	1-1/2" EXTERNAL AXLE WASHER		04	04
07	0501018592	1.5/8" NUT LOCK		07	06
08	0502010872	1-1/2" INNER AXLE WASHER		04	04
09	0601029325	23 X 4MM PLAIN DISC BLADE		26	34
10	0503011267	BOLT 5/8 UNC X 1.1/2 C S G.5 ZN		06	06
11	0501012140	FLAT WASHER		06	06
12	0503010013	5/8" NUT		38	38
13	0501058802	5/8 UNC X 2.3/4 BOLT ASSY		16	16
13A	0503015154	5/8" X 2.3/4" BOLT		16	16
13B	0501010947	5/8 NUT LOCK		16	16
13C	0501012140	FLAT WASHER		16	16
14	0501043869	AXLE		02	00
14A	0511011894	AXLE		02	00
15	0521045262	1-1/2" X 1292 AXLE ASSY		01	00
15A	0521065638	1-1/2" X 1292 AXLE ASSY		01	00



Item	Code	Description	See page	52	68
01	0501043697	1.1/2" X 1505 AXLE ASSY		00	02
01A	0511012601	1.1/2" X 1505 AXLE		00	02
01B	0501010110	1.1/2" NUT		08	08
02	0501046884	1.1/2 X 1705 AXLE W/NUT		00	02
02A	0501018720	1.1/2 X 1705 AXLE		00	02
03	0511041365	BEARING	8	08	08
04	0502010627	SPACER		14	22
05	0502010871	1-1/2" EXTERNAL AXLE WASHER		04	04
06	0501018592	1.5/8" NUT LOCK		08	08
07	0502010872	1-1/2" INNER AXLE WASHER		04	04
08	0601029325	23 X 4MM PLAIN DISC BLADE		22	30
09	0601027243	24" X 4 MM PLAIN DISC BLADE		04	04
10	0601025099	18" X 0.1" PLAIN DISC BLADE		02	02
11	0521062026	SPACING 157 (ESP 195)		02	02
12	0502012376	1-1/2" EXTERNAL AXLE LOCK		02	02
13	0503010232	5/8" X 1.3/4" BOLT		08	08
14	0503010027	5/8" SPRING WASHER		08	08
15	0503010013	5/8" NUT		40	40
16	0503011267	BOLT 5/8 UNC X 1.1/2 C S G.5 ZN		40	40
17	0501012140	FLAT WASHER		08	08
18	0501058802	5/8 UNC X 2.3/4 BOLT ASSY		16	16
18A	0503015154	5/8" X 2.3/4" BOLT		16	16
18B	0501010947	5/8 NUT LOCK		16	16
18C	0501012140	FLAT WASHER		16	16
19	0501043869	AXLE		02	00
19A	0511011894	AXLE		02	00
20	0521045262	1-1/2" X 1292 AXLE ASSY		01	00
20A	0521065638	1-1/2" X 1292 AXLE ASSY		01	00
21	0501044105	1.1/2 X 1305 AXLE W/NUT		01	00
21A	0511011914	1.1/2 X 1305 AXLE		01	00



Item	Code	Description	See page	QT
01	0502011751	OIL HOUSING BEARING	01	01
02	0503010006	32210 ROLLER BEARING	02	02
03	0502040061	AXLE	01	01
04	0503030013	4.4" X 3.5" X 0.004" JOINT	03	03
05	0503030684	4.4" X 3.5" X 0.004" JOINT	02	02
06	0502020424	HOUSING CAP	01	01
07	0503010134	3/8" X 1" BOLT	04	04
08	0503030026	SEAL LP JB-253	02	02
09	0502010541	SEAL RETAINER	02	02
10	0502010604	OUTER FLANGE	01	01
11	0502010605	INNER FLANGE	01	01
12	0503010856	OIL PLUG	02	02
13	0511010829	BEARING GUARD	01	01
14	0503010025	3/8" SPRING WASHER	04	04
15	0503011334	BOLT 3/8 UNC X 3/4 CS G.5 ZN	04	04



Item	Code	Description	See page	QT
01	0511041598	1.75" X 3" X 20"X 8" HYDRAULIC CYLINDER	4	02
02	0501068706	DOUBLE CONNECTION		01
03	0503030923	3/4" UNF X 13/16UN OFS X 40 NIPPLE		04
04	0503010190	2-114 N 3006-9B O'RING		04
05	0501080714	HOSE 3/8 X 1600 TR-TC		02
06	0501080461	TR-TC HOSE ASSY		02
07	0501080778	3/8" X 256" TC-TM HOSE ASSY		02
08	0503010237	3/8" X 1" BOLT		02
09	0501010984	FLAT WASHER		02
10	0503010026	3/8" NUT		02
11	0501053835	FEMALE QUICK COUPLER		02
12	0501053834	MALE QUICK COUPLER WITH CAP - 1/2 NPT		02
13	0503011030	2-014 N 3006-9B O'RING		08
14	0502010477	HOSE CLAMP		02
15	0503011102	BOLT 7/16 UNC X 1.1/4 C S G.5 ZN		02
16	0503010025	3/8" SPRING WASHER		02
17	0503010180	7/16" SPRING WASHER		02



www.marchesan.com.br



Technical Publications | Elaboration and Revision
ALESSANDRA PATRICIA KAWAHARA CARRILI