

CHASER BIN

Code:

0501091018

Product:

DCA 1200

**Series:**

S-0810

Revision:

00

Date Revision:

JANEIRO/2014



PRODUCTS

Code	Description	
0109090144	DCA 1200	S-0810

ATTENTION: IMPORTANT

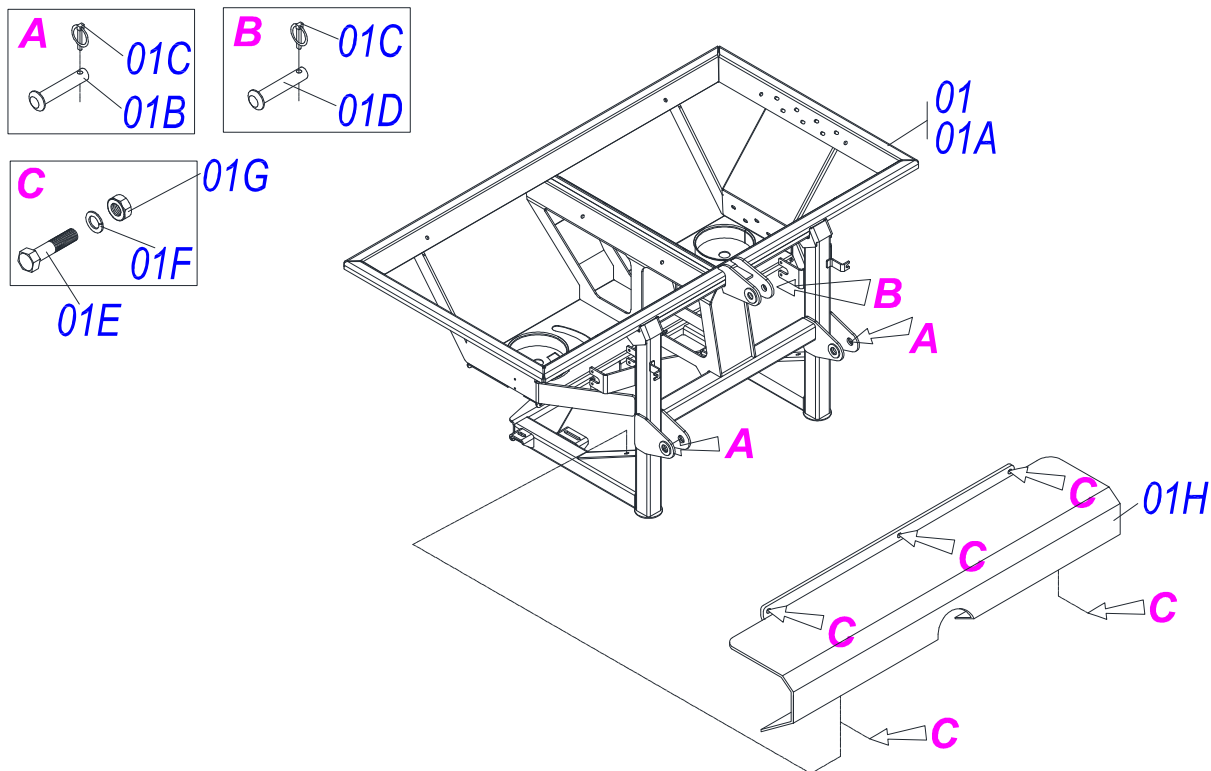
Marchesan S.A. reserves the right to improve and / or modify the technical features of its products, without obligation to do the same with those products already sold and without prior knowledge of the dealer or the consumer.



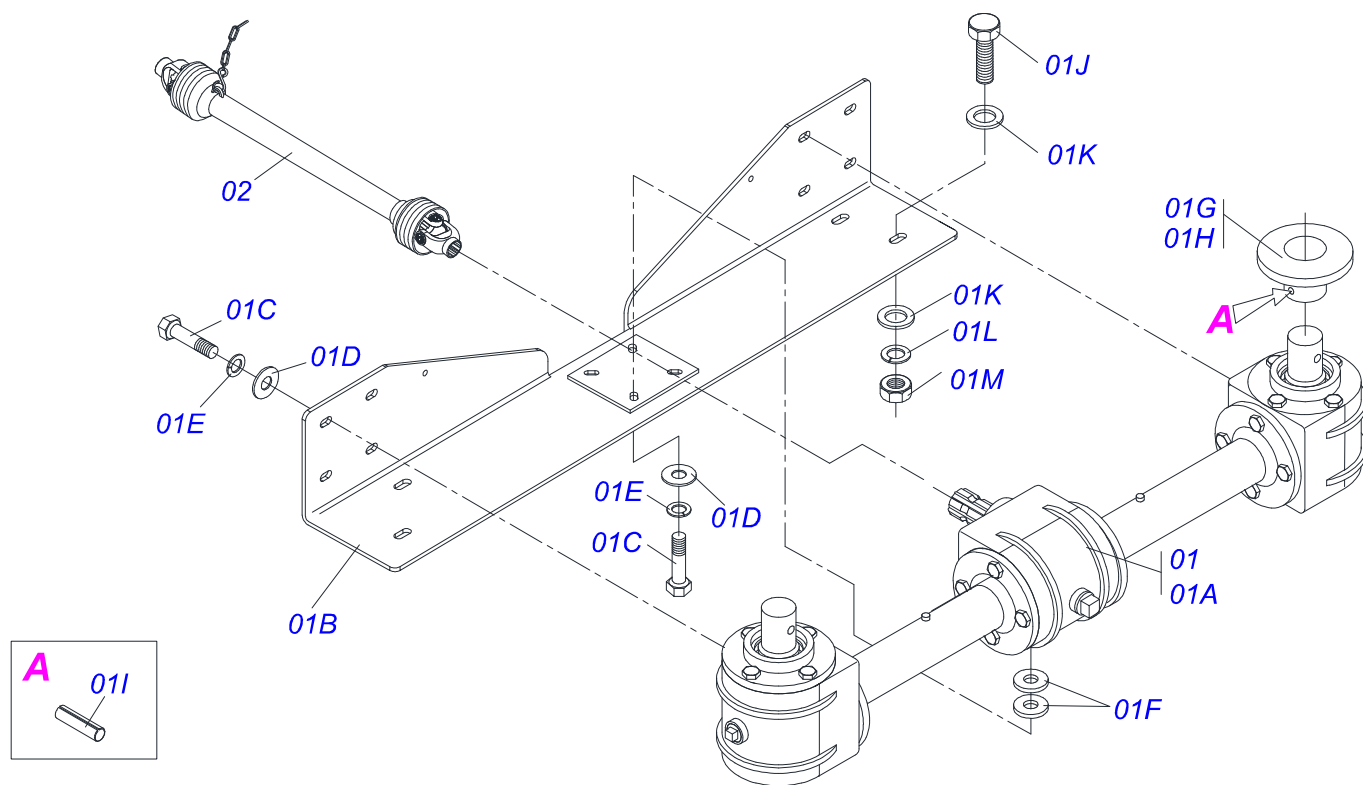
MARCHESAN

INDEX

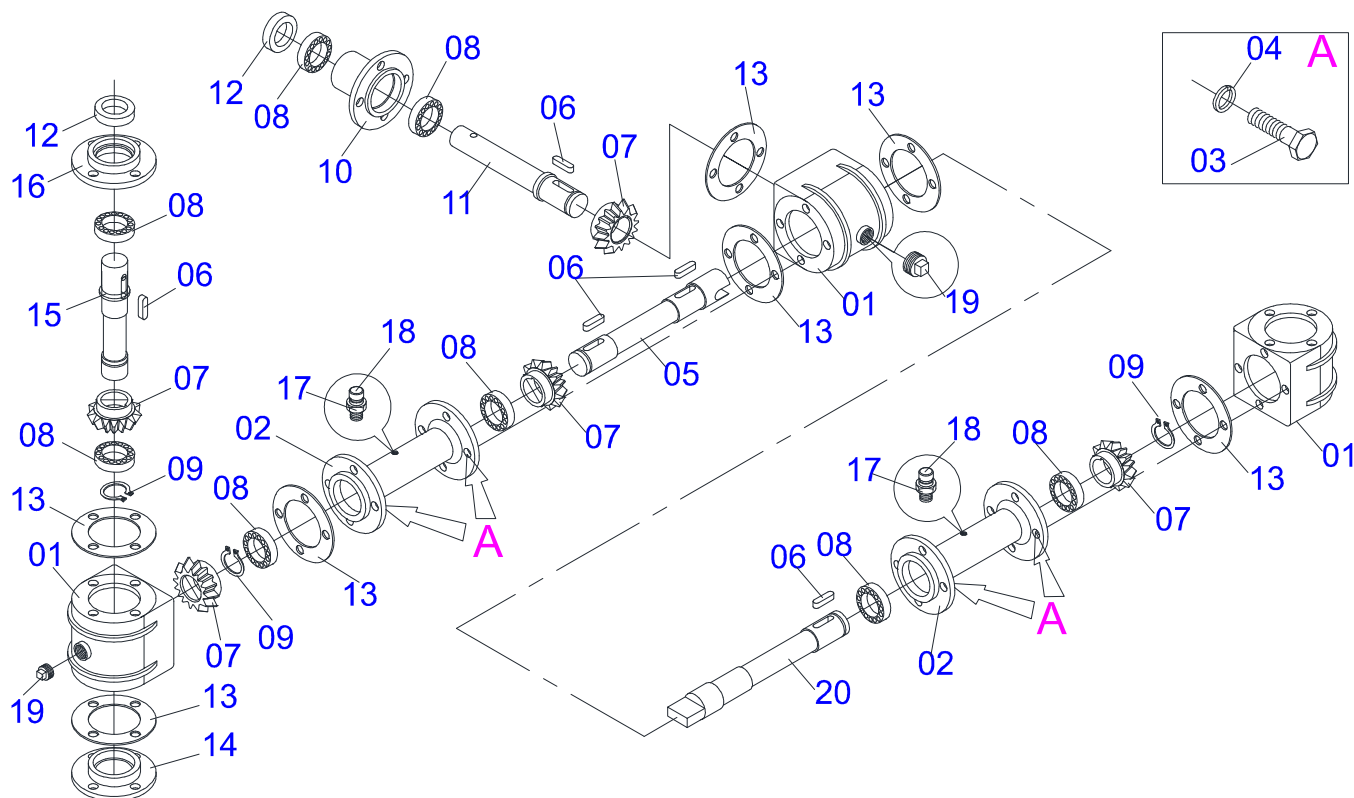
0511048624	DITRIBUTOR FRAME L A ASSY	1
0909092793	MULTIPLIER TATU COMPL DCA 1500 CP	2
0511043451	CENTRAL TRANSMISSION HUB	3
0511044496	DRIVE SHAFT	4
0909091348	DISTRIBUTOR DISC	5
0909091347	MIXER	6
0909091344	CONTROL VALVE ASSY	7
0909091346	RESERVOIR	8



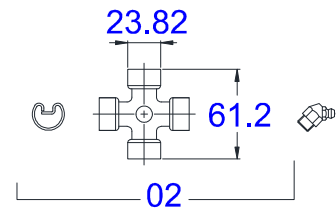
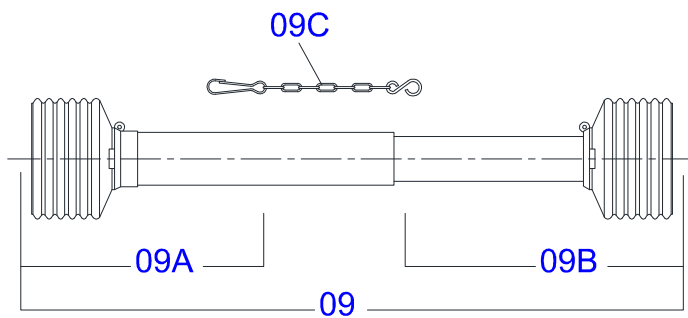
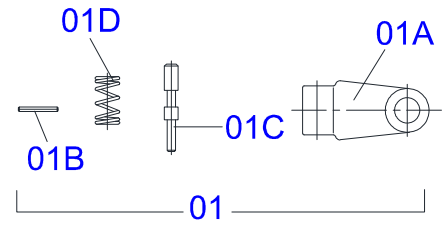
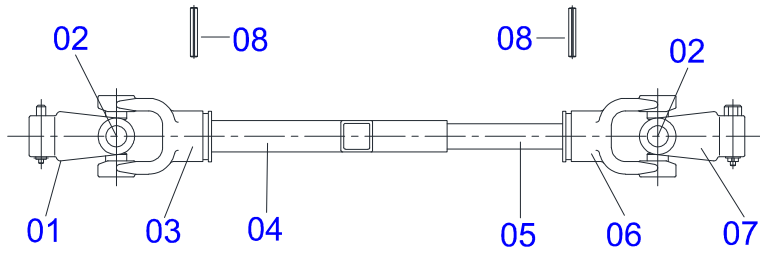
Item	Code	Description	See page	QT
01	0511048624	DITRIBUTOR FRAME L A ASSY	1	01
01A	0511066640	DISTRIBUTOR FRAME LA		01
01B	0521010596	COUPLING SHAFT		02
01C	0503030085	LOCK PIN		03
01D	0521010578	COUPLING SHAFT		01
01E	0503013686	3/8" UNC X 3/4" CS BOLT		05
01F	0503012535	3/8" SPRING WASHER		05
01G	0503012531	3/8" INOX NUT		05
01H	0531011431	FRONT PROTECTOR DCA 1500		01



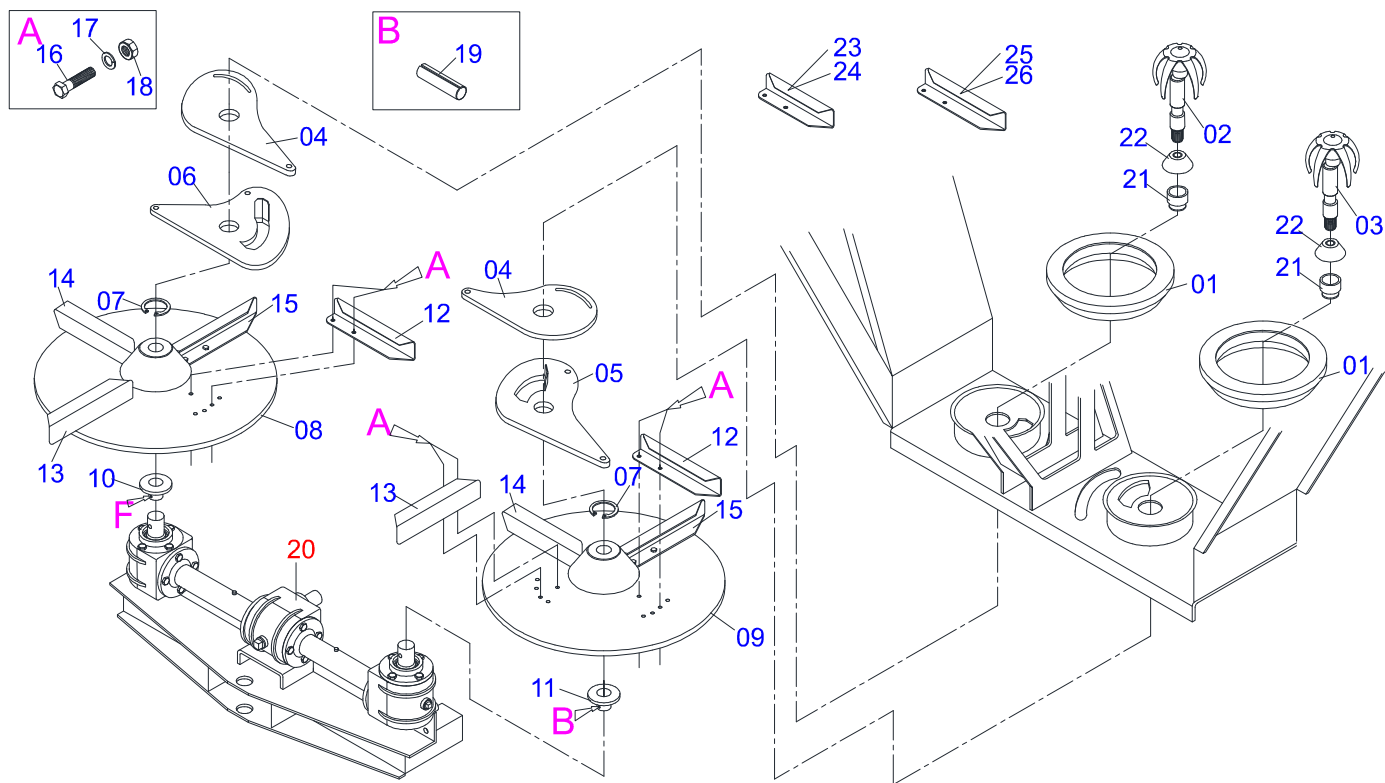
Item	Code	Description	See page
01	0501057205	MULTIPLIER ASSY	01
01A	0511043451	CENTRAL TRANSMISSION HUB	3 01
01B	0511067797	MULTIPLIER SUPPORT	01
01C	0503010849	3/8" X 1-1/2" BOLT	12
01D	0501010984	FLAT WASHER	12
01E	0503010025	3/8" SPRING WASHER	12
01F	0541019128	FLAT WASHER	08
01G	0541014879	RIGHT FIXER FLANGE DOSADOR DISC	01
01H	0541015320	LH FIXER FLANGE DOSADOR DISC	01
01I	0503011265	10MM X 50MM SPRING PIN	02
01J	0503014007	1/2" X 1-1/4" BOLT	04
01K	0511017302	FLAT WASHER	08
01L	0503010019	1/2" SPRING WASHER	04
01M	0503010060	1/2" NUT	04
02	0511044496	DRIVE SHAFT	4 01



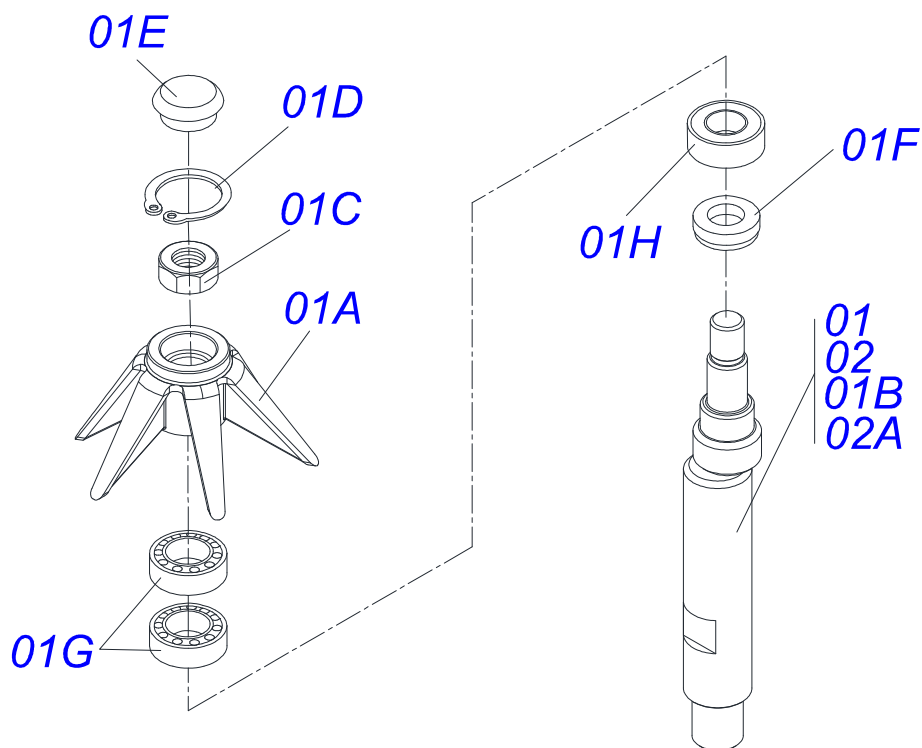
Item	Code	Description	See page
01	0502010312	DISTRIBUTOR REDUCTION BOX	03
02	0502012312	361 SLEEVE	02
03	0503010237	3/8" X 1" BOLT	32
04	0503011443	3/8" SPRING WASHER	32
05	0541014894	REDUCTOR LARGER AXLE	01
06	0503031030	5/16" X 1.98" KEYWAY	05
07	0503030153	15Z CONICAL GEAR	06
08	0503010276	6206 BALL BEARING	10
09	0503010707	501030 CLAMPING RING (FOR AXLE)	04
10	0502010437	HUB CENTRAL	01
11	0511016458	6.89" REDUCTOR AXLE DISTRIBUTOR	01
12	0503010083	50791MBL SEAL	02
13	0503030157	5.12" X 3.21" X 0.008" JOINT	09
14	0502010357	LOWER COVER	02
15	0511016459	8.66" REDUCTOR AXLE DISTRIBUTOR	02
16	0502010324	UPPER COVER	02
17	0511016550	0.87" BREATHING HOLE	02
18	0503010325	VCA-118 VALVE	02
19	0503010123	1/2" BSPT PLUG	03
20	0541014895	REDUCTOR SMALLER AXLE	01



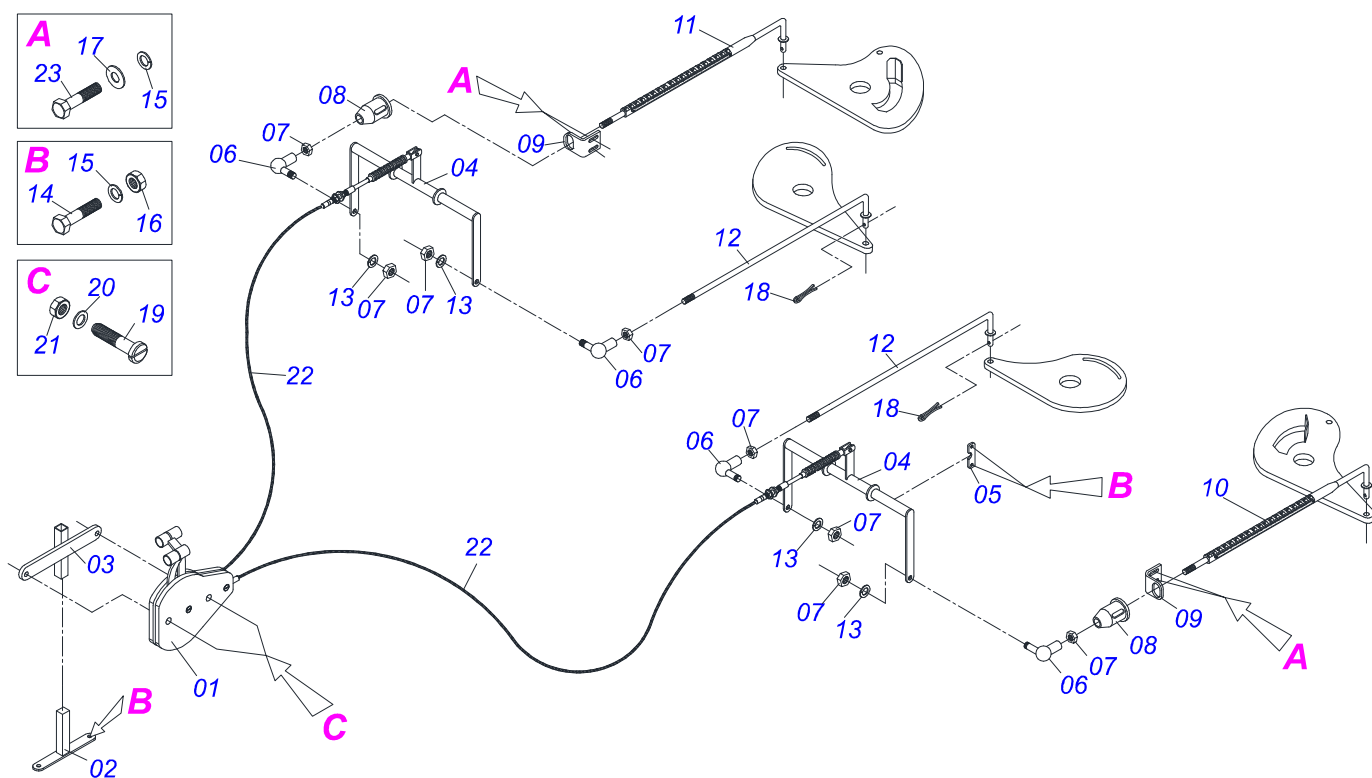
Item	Code	Description	See page
00	0511044496	DRIVE SHAFT	4
01	0501050332	1-20 TERMINAL	01
01A	0502010561	1-20 TERMINAL	01
01B	0503010838	0.1" X 0.8" SPRING PIN	01
01C	0521010637	0.5" X 3" COUPLING SHAFT	01
01D	0503030518	0.5"X1.0"X 0.1" COMPRESSION SPRING	01
02	0503014639	CROSSPIECE	02
03	0503014638	TERMINAL W/SH	01
04	0503014642	SQUARE TUBE	01
05	0503014643	SQUARE TUBE	01
06	0503014640	SQUARE TUBE	01
07	0503014641	TERMINAL	01
08	0503014646	SPRING PIN	02
09	0503014689	PROTECTION ASSY	01
09A	0503014644	PROTECTION ASSY	01
09B	0503014645	PROTECTION ASSY	01
09C	0503012023	CHAIN FOR PROTECTION	02



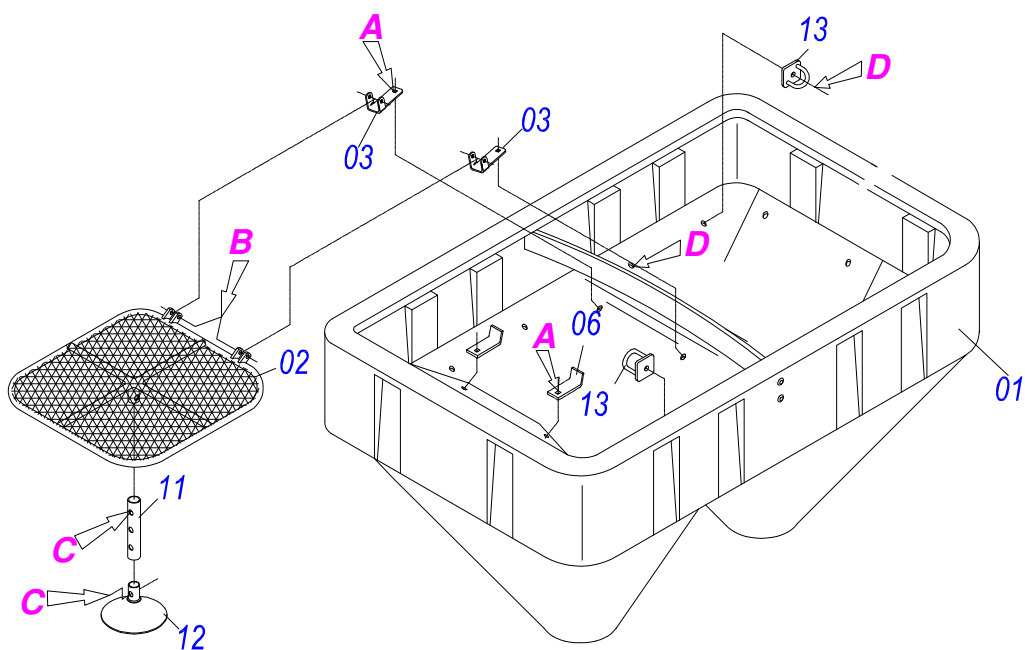
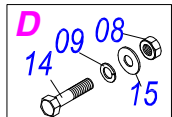
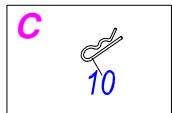
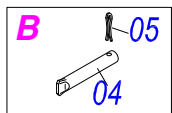
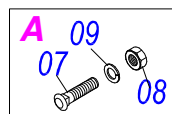
Item	Code	Description	See page
01	0503032131	RESERVOIR OUTPUT SOCKET BACKING	02
02	0511051245	RIGHT MIXER ASSY	01
03	0511051246	RIGHT MIXER ASSY	01
04	0541014854	UPPER REGULATOR DCA 1500	02
05	0511066268	LEFT LOWER REGULACION	01
06	0511066269	LOWER REGULACION	01
07	0503010217	501040 CLAMPING RING (FOR AXLE)	02
08	0531019169	RIGHT DISTRIBUTOR DISC ASSY	01
09	0531019181	LH DISTRIBUTOR DISC	01
10	0541014879	RIGHT FIXER FLANGE DOSADOR DISC	01
11	0541015320	LH FIXER FLANGE DOSADOR DISC	01
12	0531019512	LEFT FEATHERS	02
13	0531019197	LEFT FEATHERS	02
14	0531019511	RIGHT FEATHERS	02
15	0531019510	RIGHT FEATHERS	02
16	0503013686	3/8" UNC X 3/4" CS BOLT	16
17	0503012535	3/8" SPRING WASHER	16
18	0503012531	3/8" INOX NUT	16
19	0503011265	10MM X 50MM SPRING PIN	02
20	0511043451	CENTRAL TRANSMISSION HUB	3 01
21	0541014878	1500MM REGULATOR FIXER	02
22	0503032527	MIXER AXLE PROTECTOR DCA 1500	02
23	0541018195	RIGHT FEATHERS	02
24	0541018194	LEFT FEATHERS	02
25	0531019183	LEFT FEATHERS	02
26	0531019182	LEFT FEATHERS	02



Item	Code	Description	See page
01	0511051245	RIGHT MIXER ASSY	01
01A	0502012578	MIXER	01
01B	0521062540	LEFT STIRRER 188,5 AXLE	01
01C	0503012136	NUT 1/2 NF	01
01D	0503011945	503050 CLAMPING RING (FOR AXLE)	01
01E	0503032530	MIXER PROTECTION COVER	01
01F	0541014884	MIXER LOWER COVER	01
01G	0503012882	BEARING	02
01H	0503010272	SEAL 00715-BA	01
02	0511051246	RIGHT MIXER ASSY	01
02A	0521062539	RIGHT STIRRER 188,5 AXLE	01



Item	Code	Description	See page
01	0503032533	COMMAND STEEL WHIT CABLE	01
02	0511066254	FIXER SUPPORT CONTROL VALVE	01
03	0511066255	CONTROL VALVE FIXER	01
04	0511066274	ARTICULATION	02
05	0541014859	ARTICULATION FIXER	04
06	0503013464	SPHERICAL TERMINAL	04
07	0503011051	M10 X 0.6" NUT	08
08	0503032547	REGULATOR	02
09	0541014862	BEATER REGULATOR	02
10	0503061554	LH REGULATOR	01
11	0503061555	REGULATOR	01
12	0511066610	ROD REGULATOR FLOW	02
13	0503012535	3/8" SPRING WASHER	04
14	0503011178	5/16" X 3/4" BOLT	14
15	0503011176	5/16" SPRING WASHER	14
16	0503011175	5/16" NICKEL-PLATED NUT	10
17	0521011039	FLAT WASHER	04
18	0503011174	1/8" X 3/4" COTTERPIN	02
19	0503013894	1/4" UNC X 2.1/2" BOLT	02
20	0521011039	FLAT WASHER	02
21	0503010144	1/4" NUT	02
22	0503013948	80E 75RT CABLE	02
23	0503010178	5/16" X 7/8" BOLT	04



Item	Code	Description	See page
01	0503031886	SEED FERTILIZER DEPOSIT W/LOCK	01
02	0511066308	SCREEN DCA 1500	02
03	0531019122	SIEVE LARGER FIXER	04
04	0521010535	COUPLING SHAFT	04
05	0503010140	1/8" X 3/4" COTTERPIN	04
06	0541016895	SIEVE LOWER FIXER	04
07	0501010243	1/2" X 1-1/2" BOLT	08
08	0503010020	1/2"NUT	12
09	0503010019	1/2" SPRING WASHER	12
10	0503030168	HAIR PIN	04
11	0541016889	13 X 16 X 110 DCA 1500 TUBE	02
12	0511066609	FERTILIZER BOX DEFLECTOR	02
13	0511066716	TRANSPORT SUPPORT	02
14	0501010161	1/2" X 1.1/4" BOLT	04
15	0511017302	FLAT WASHER	04

ANNOTATION



A series of horizontal lines for writing, spanning the width of the page.





www.marchesan.com.br



Technical Publications | Elaboration and Revision
ALESSANDRA PATRICIA KAWAHARA CARRILI