

# PARTS CATALOGUE



## TRANSHIPMENT

**Code:**

0501091016

**Product:**

TCA 10500



**Series:**

S-0811

**Revision:**

00

**Date Revision:**

FEVEREIRO/2014



# PRODUCTS

Code	Description
0115010032	TCA 10500 S-0811
0115010033	TCA 10500 C/ARO S/PN S-0811
0115010038	TCA 10500 EMB ELETR S-0811
0115010039	TCA 10500 EMB ELETR C/ARO S/PN S811
0115010040	TCA 10500 S/BOCAL ADB S-811
0115010041	TCA 10500 S/BOCAL ADB S/PN S-0811

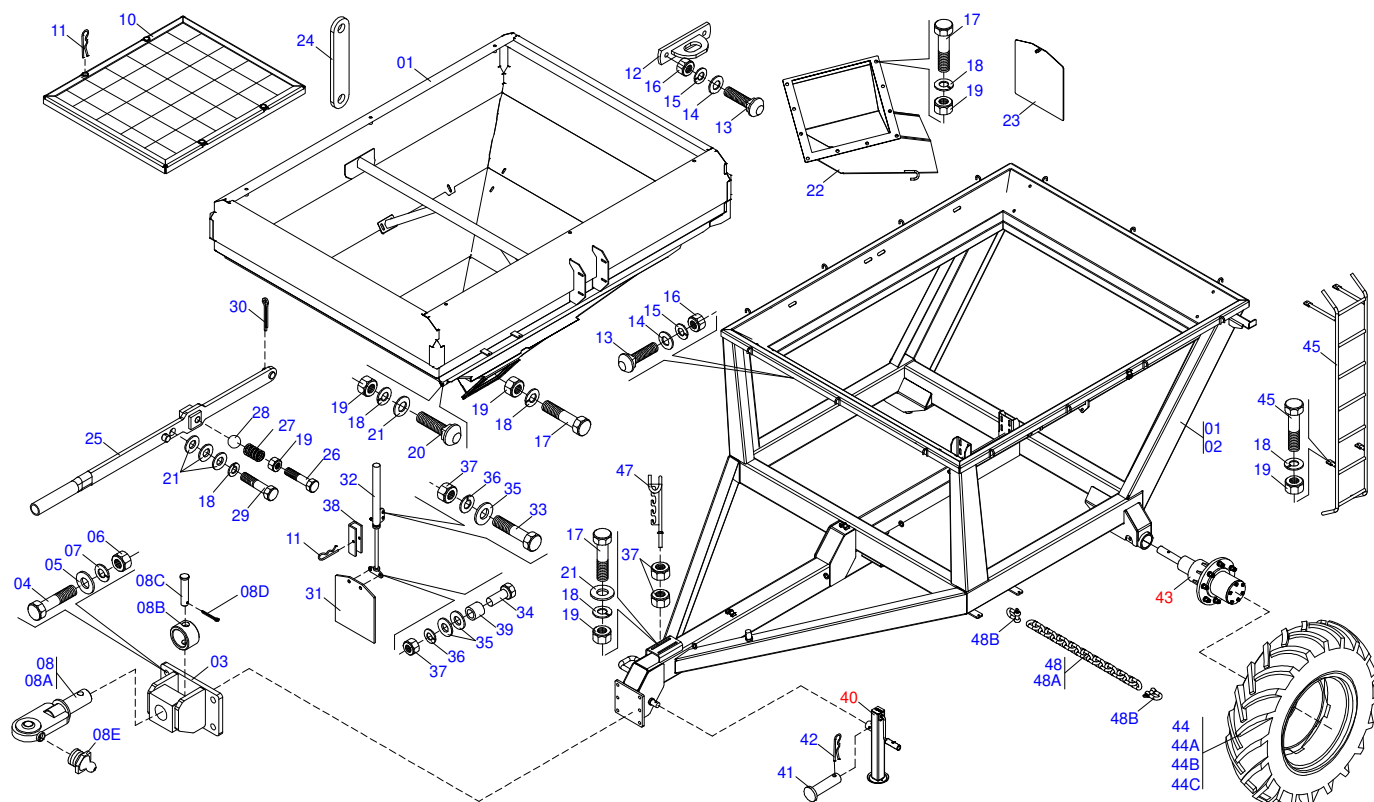
## ATTENTION: IMPORTANT

Marchesan S.A. reserves the right to improve and / or modify the technical features of its products, without obligation to do the same with those products already sold and without prior knowledge of the dealer or the consumer.



# INDEX

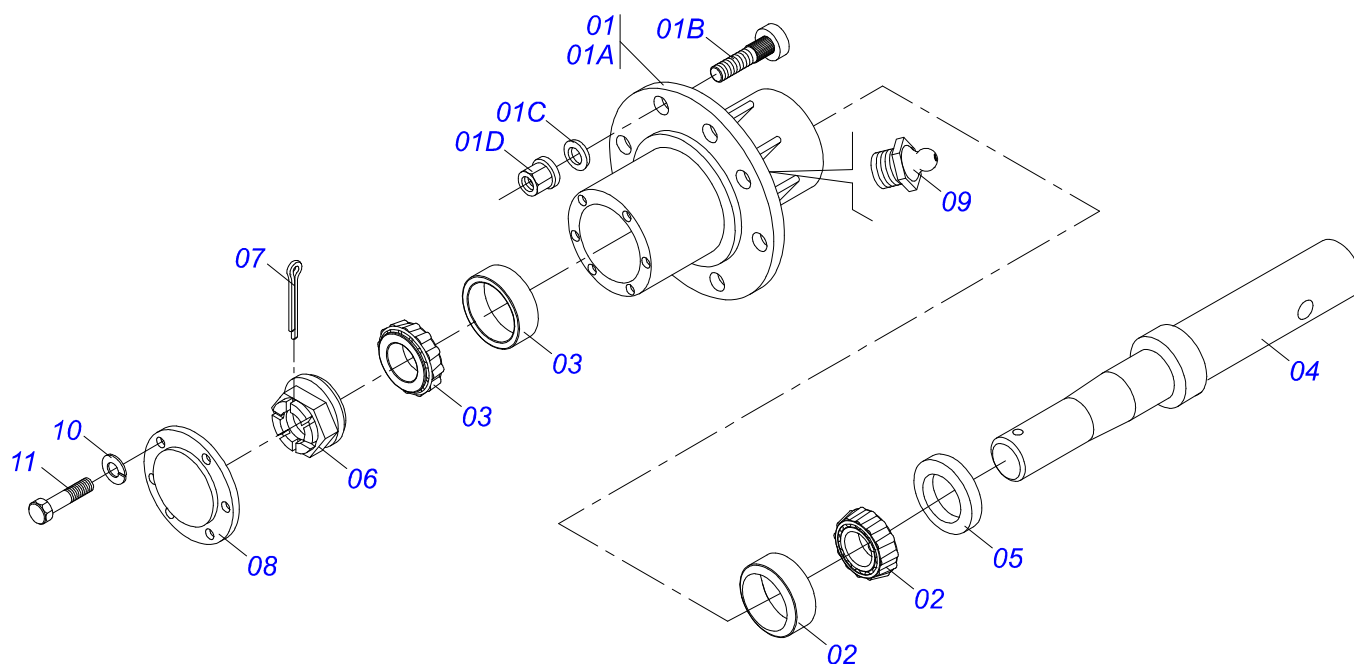
0909094073	TCA 10500	.....	1
0511051262	REAR CARRYING-WHEELS ASSY	.....	2
0909094076	CONDUCTOR ASSY	.....	3
0909094077	HIDRAULIC CIRCUIT	.....	4
0909094080	SISTEM FRICÇÃO	.....	5
0909094081	CARDAN TRANSMISSION SYSTEM	.....	6
0521040821	TRANSMISSION BOX	.....	7
0501057635	CONDUCTOR LOWER HUB	.....	8
0511049820	HYDRAULIC CYLINDER	.....	9
0503032411	HYDRAULIC CYLINDER	.....	10
0511051899	UNIVERSAL JOINT	.....	11
0521040860	DRIVE SHAFT	.....	12
0521040890	DRIVE SHAFT	.....	13
0501048241	DRIVE SHAFT	.....	14
0501057633	SUPPORT HUB	.....	15



Item	Code	Description	See page	QT
01	0511049832	FRAME ASSY		01
02	0521062553	FRAME		01
03	0521062543	HITCH SUPPORT		01
04	0501010098	3/4" UNC BOLT		04
05	0501010322	FLAT WASHER		04
06	0503011442	3/4" SPRING WASHER		04
07	0503010014	3/4" NUT		06
08	0501053494	TRACTOR HITCH ASSY		01
08A	0511062245	TRACTOR HITCH ASSY		01
08B	0521010681	BUSHING COUPLING BODY		01
08C	0521010639	COUPLING SHAFT		01
08D	0503010571	1/4" X 1.1/2 COTTERPIN		01
08E	0503010002	1800 GREASE FITTING		02
09	0521062561	TCA 10500 BUCKET		01
10	0521062808	SCREEN TCA 10500		01
11	0503030012	HAIR PIN		05
12	0521062549	HOOK FIXER		04
13	0503012195	5/8" NUT		08
14	0501010322	FLAT WASHER		16
15	0503011445	SPRING WASHER		08
16	0503010013	5/8" NUT		08
17	0503010740	BOLT 1/2 UNC X 2 CS G.5 ZN		26
18	0503011440	SPRING WASHER		43
19	0503010060	1/2" NUT		43
20	0503014734	BOLT		08
21	0521014188	FLAT WASHER		08
22	0521062548	REAR POINT		01
23	0521062557	SLUICE VALVE COVER		01
24	0561019551	COPY		01
25	0521062554	SLUICE VALVE CONTROL		01
26	0503010395	1/2" X 1-1/4" BOLT		01

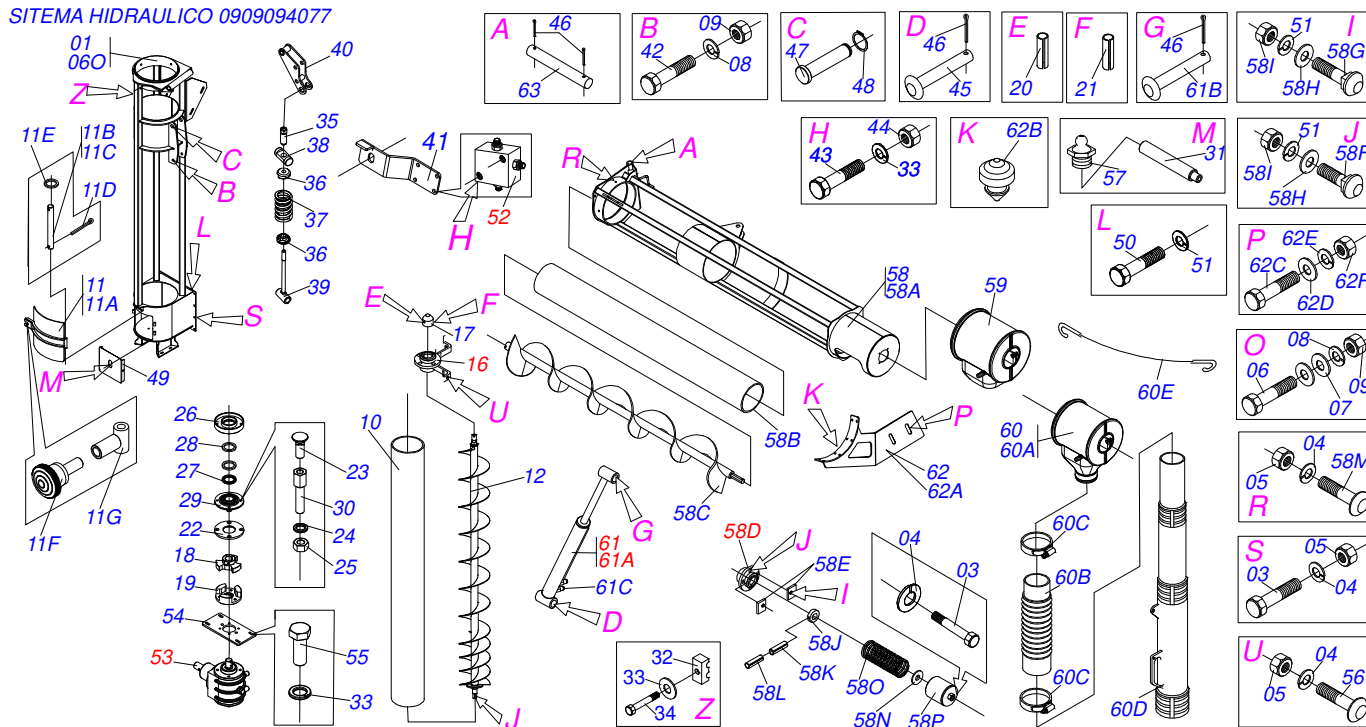


Item	Code	Description	See page	QT
27	0503031512	0.4" X 0.1" X 2" X 0.6" SPRING		01
28	0503012389	1/2 BALL		01
29	0501010155	1/2" X 1" BOLT		01
30	0503010362	1/8" X 1.1/4" COTTERPIN		02
31	0541016295	SLUICE VALVE DISCHARGE		01
32	0511049820	HYDRAULIC CYLINDER	9	01
33	0503011088	3/8" X 1-1/4" BOLT		02
34	0501011532	3/8" X 1-3/4" BOLT		02
35	0501010984	FLAT WASHER		06
36	0503010025	3/8" SPRING WASHER		04
37	0503010026	3/8" NUT		04
38	0551019995	HIDRAULIC CILINDER LOCK		01
39	0561019550	SLEEVE 13 X 10 X 20 TCA 10500		02
40	0503062157	HEADER JACK		01
41	0521010549	COUPLING SHAFT		01
42	0503030168	HAIR PIN		01
43	0511051262	REAR CARRYING-WHEELS ASSY	2	02
44	0503061051	WHEEL AND TIRE ASSY 18.4 X 30		02
44A	0503013507	CANVAS TIRE		02
44B	0503013508	18.4-30 INNER TIRE		02
44C	0503032413	DW 16.30 HOOP WHEEL		02
45	0521062550	LADDER		01
46	0503010488	1/2" X 1-1/2" BOLT		04
47	0501060409	HOSE SOPPORT ASSY		01
48	0511059041	CURRENT SECURITY		01
48A	0503014120	CHAIN		01
48B	0503014321	CABLE STEEL SHACKLE		02



Item	Code	Description	See page	QT
01	0501110735	HUB CARRYING WHEELS WITH BOLT		01
01A	0502011229	CARRYING WHEEL HUB		01
01B	0503011339	M22 X 1,5 X 72 BOLT		08
01C	0503011340	SPHERICAL SPRING WASHER		08
01D	0503011341	M22 X 0.6" NUT GR8 NUT		08
02	0503010059	33287/33462 ROLLER BEARING		01
03	0503010007	3982/3920 ROLLER BEARING		01
04	0561019635	POINT AXIS REAR		01
05	0503010050	SEAL 00085-B		01
06	0502040080	2.1/2" SLOTTED NUT		01
07	0503011345	1/4" X 3-1/2" COTTERPIN		01
08	0541013225	WHEEL BOX COVER		01
09	0503010002	1800 GREASE FITTING		01
10	0503011444	SPRING WASHER		06
11	0503010240	5/16" X 3/4" BOLT		06

SITEMA HIDRAULICO 0909094077



Item	Code	Description	See page	QT
01	0511051895	CONDUCTOR SUPPORT		01
02	0521063165	LOWER CONDUCTOR SUPPORT		01
03	0503010920	1/2" X 1.1/2" BOLT		11
04	0503010019	1/2" SPRING WASHER		15
05	0503010060	1/2" NUT		14
06	0501018059	3/4" X 2-1/4" BOLT		04
07	0541010763	FLAT WASHER		08
08	0503010023	3/4" SPRING WASHER		04
09	0503010014	3/4" NUT		04
10	0503032418	355 X 8,70 X 2320 TUBE PVC		01
11	0511051857	SLUICE VALVE ASSY		01
11A	0521063098	SLUICE VALVE		01
11B	0571011299	PIVOT SHAFT		01
11C	0571011298	PIVOT SHAFT LOCK		01
11D	0503010257	1/8" X 1" COTTERPIN		04
11E	0501010937	13.5 X 28 X 3 FLAT WASHER		01
11F	0503016361	PMO 900 KNOB		01
11G	0521063099	PIVOT LOCK COMPUERTA		01
12	0521063095	LOWER CONDUTOR		01
13	0501010108	5/8" X 1" BOLT		01
14	0501010453	FLAT WASHER		01
15	0503010027	5/8" SPRING WASHER		01
16	0501057635	CONDUCTOR LOWER HUB	8	01
17	0551015076	SLEEVE		01
18	0521063096	CONDUCTOR FOLLOWER		01
19	0521063097	TRANSMISSION BOX FOLLOWER		01
20	0503010927	0.6" X 3.9" SPRING PIN		01
21	0503010928	0.4" X 4" SPRING PIN		01
22	0571011301	SUPPORT FLANGE CLOTH		01
23	0503015348	3/8" BOLT		04
24	0503010180	7/16" SPRING WASHER		04



TCA 10500  
CONDUCTOR ASSY

Item	Code	Description	See page	QT
25	0503010244	7/16" NUT		04
26	0571011300	SUPPORT SEAL		01
27	0551016480	58X75X9 SEAL		01
28	0503013602	502075 CLAMPING RING		01
29	0503013510	BEARING ASSY		01
30	0571011309	BATH BEARING FIXER		04
31	0503031394	EXTENSION GREASE FITTING		01
32	0502010477	HOSE CLAMP		02
33	0503010025	3/8" SPRING WASHER		08
34	0503010751	C3/8" X 1.1/4" HEX BOLT G.5		02
35	0502011968	SPRING LOCKNUT		01
36	1902020393	SPRING UPPER SUPPORT		02
37	0503030441	12.7" X 5.7" X 0.5"SPRING		01
38	0501067323	SPRING REGULATOR		01
39	0521018575	REGULATOR SPINDLE 100		01
40	0511068634	CILINDER ARTICULATION		01
41	0551015395	VALVE SUPPORT		01
42	0503014192	3/4 UNC BOLT		01
43	0503011179	3/8" X 2-1/4" BOLT		02
44	0503010026	3/8" NUT		02
45	0521010544	1.2" X 4.9" COUPLING SHAFT		01
46	0503010523	1/4" X 2" COTTERPIN		04
47	0551015389	COUPLING SHAFT		01
48	0503010880	501032 CLAMPING RING (FOR AXLE)		01
49	0521063112	COVER		02
50	0503010363	5/16" X 1" BOLT		04
51	0503010179	5/16" ZN SPRING WASHER		04
52	0503013622	VALVE ASSY		01
53	0521040821	TRANSMISSION BOX	7	01
54	0571011310	FIXER PLATE BOX TRANSMISSION		01
55	0503010751	C3/8" X 1.1/4" HEX BOLT G.5		04
56	0501010524	1/2" X 2" BOLT		02
57	0503010002	1800 GREASE FITTING		01
58	0511051896	UPPER CONDUCTOR ASSY		01
58A	0521063166	UPPER CONDUCTOR SUPPORT		01
58B	0503032417	TUBE PVC 355 X 8,70 X 2685		01
58C	0511068554	UPPER AXLE CONDUCTOR		01
58D	0501057633	SUPPORT HUB	15	01
58E	0501016149	FIXER PLATE		02
58F	0503011953	5/16" X 1" BOLT		02
58G	0503012163	5/16" X 1-1/2" BOLT		02
58H	0501010694	8.5 X 18 X 1.5 FLAT WASHER		04
58I	0503010337	5/16" NUT		04
58J	0541016549	SLEEVE HEX SEXTAVADA 32 X 58 X 20		01
58K	0503010756	0.2" X 2.4" SPRING PIN		01
58L	0503010361	SPRING PIN		01
58M	0501010243	1/2" X 1-1/2" BOLT		02
58N	0551015071	SUPPORT WASHER		01
58O	0503032958	90 X 230 X 7 TCA COMPRESSION SPRING		01
58P	0511068591	COVER		01
59	0503032581	SOCKET		01
60	0501056252	DISCHARGE SOCKET		01
60A	0503032442	FERTILIZER DISCHARGE SOCKET		01
60B	0503032419	HOSE		01
60C	0503013626	CLAMP 178 TO 197		02
60D	0503062005	CONDUCTOR ASSY		01
60E	0503013628	ELASTIC LUGGAGE RACK		02
61	0501056460	HYDRAULIC CYLINDER		01
61A	0503032411	HYDRAULIC CYLINDER	10	01

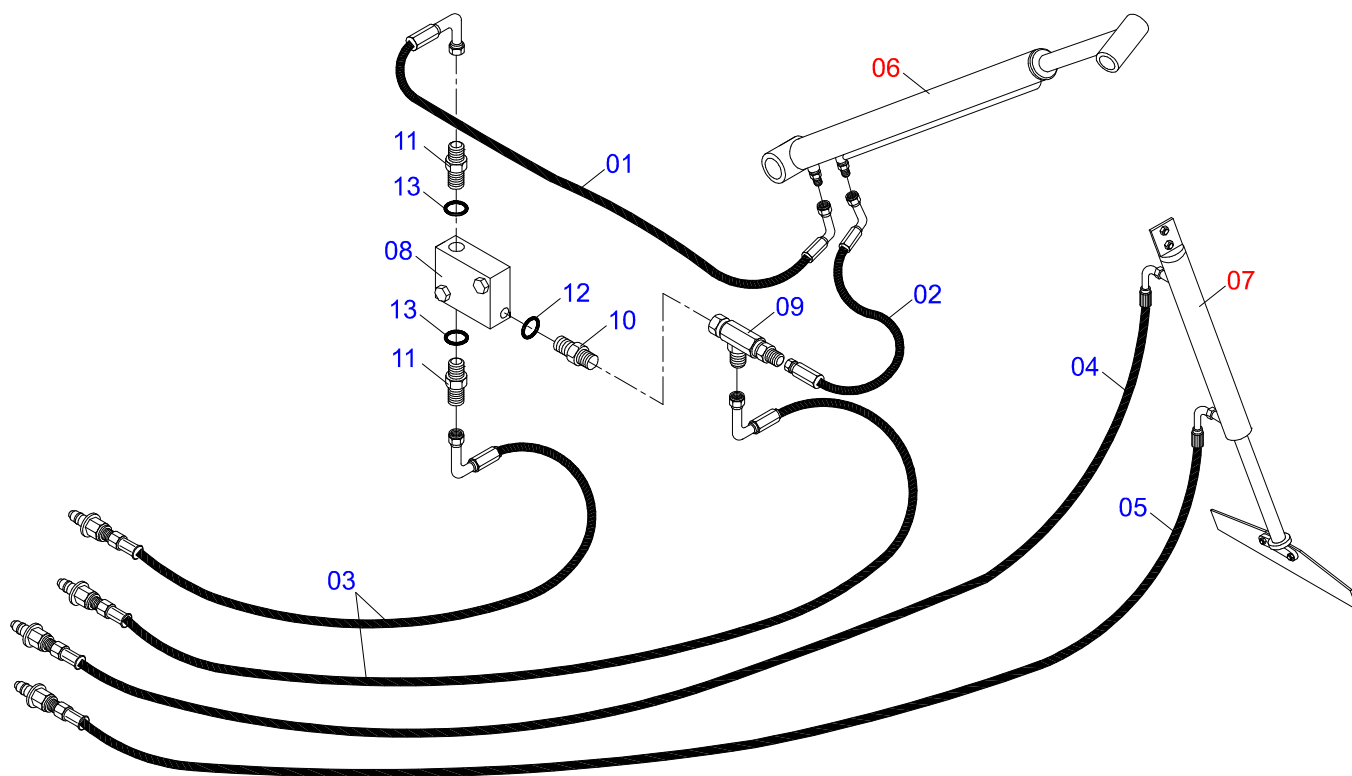




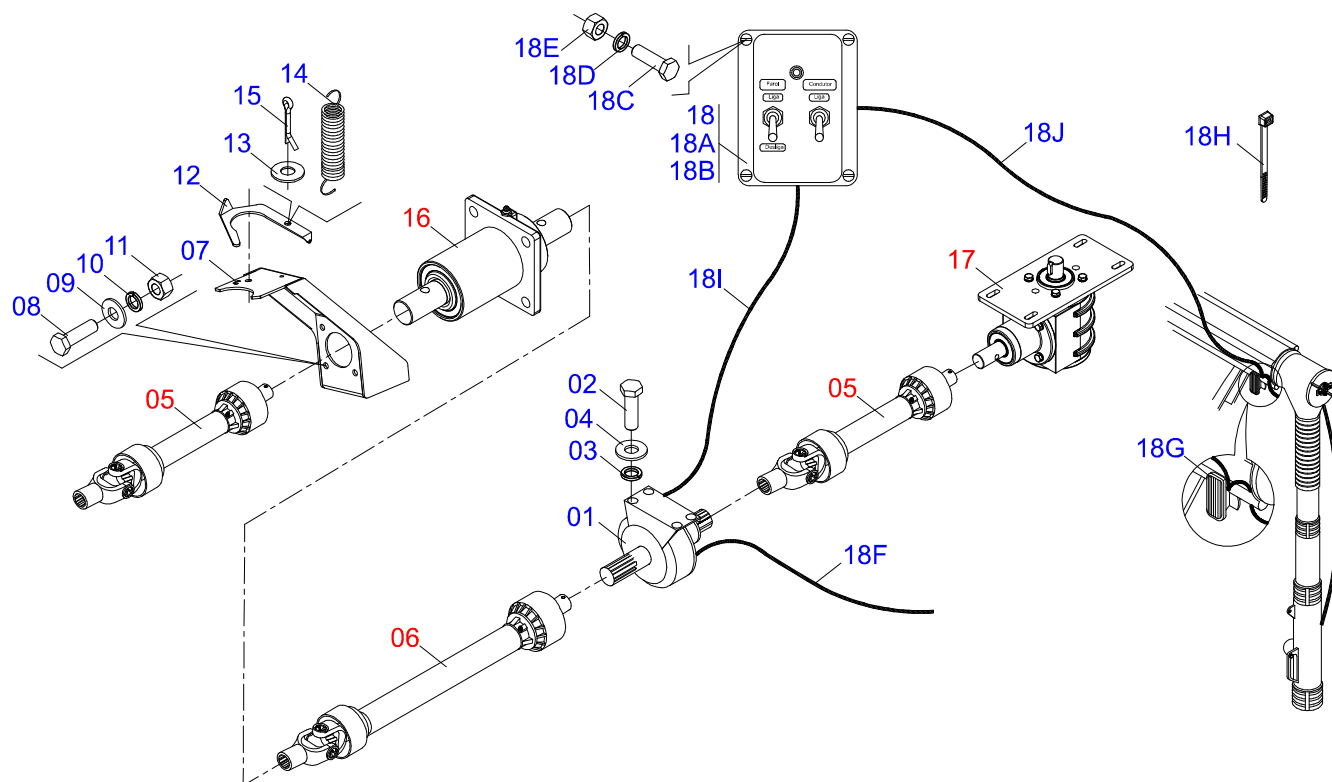
**TCA 10500**  
**CONDUCTOR ASSY**

Page 3  
0909094076

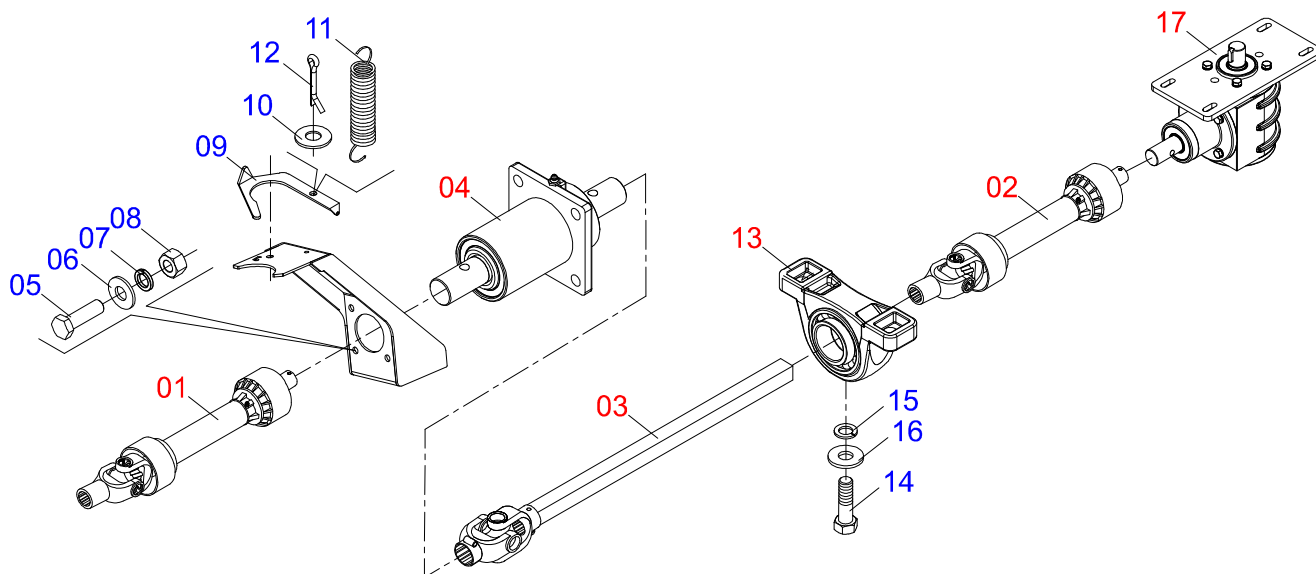
<b>Item</b>	<b>Code</b>	<b>Description</b>	<b>See page</b>	<b>QT</b>
61B	0521010780	1.2" X 4.5" COUPLING SHAFT		02
61C	0511018012	HIDRAULIC ADAPTER		01
62	0511051265	CONDUCTOR PLOUGH SUPPORT ASSY		01
62A	0521062552	DRIVER SUPPORT		01
62B	0503032594	30 X 13 X 19 PLUG		08
62C	0501010100	SCREW 5/8 UNC X 2 CS G.5 ZN		03
62D	0501012140	FLAT WASHER		06
62E	0503010027	5/8" SPRING WASHER		03
62F	0503010013	5/8" NUT		03
63	0541016954	31,75MM X 422MM AXLE		01



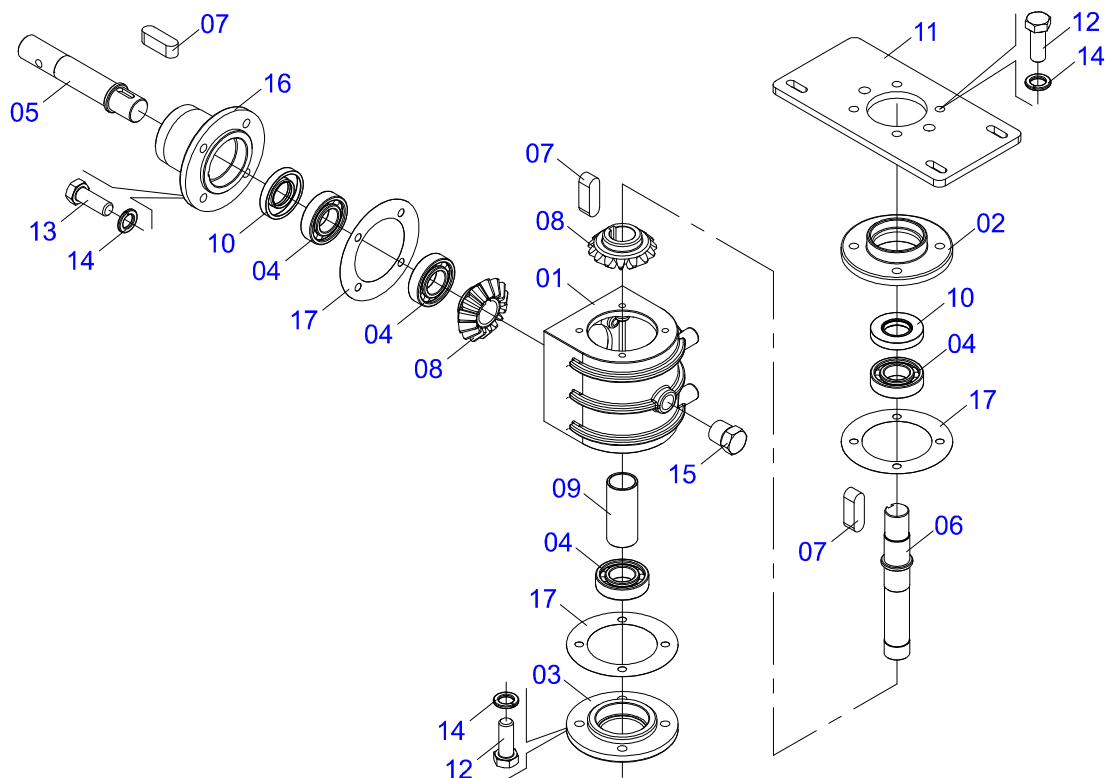
Item	Code	Description	See page	QT
01	0501080700	3/8 X 650 TC-TC HOSE		01
02	0501080599	3/8 X 650 TC-TR HOSE		01
03	0501080640	3/8 X 7200 TC-TM HOSE		02
04	0501080844	3/8 X 5500 TC-TM HOSE		01
05	0501080898	3/8 X 5150 TC-TM HOSE		01
06	0503032411	HYDRAULIC CYLINDER	10	01
07	0511058223	HYDRAULIC CYLINDER		01
08	0503013622	VALVE ASSY		01
09	0503011968	3/4" 8R6X-S T ADAPTER WITH SWIVEL NUT		01
10	0501012109	3/4" X 9/16" NIPPLE		01
11	0511010111	7/8" NIPPLE		02
12	0503010045	O'RING		01
13	0503011030	2-014 N 3006-9B O'RING		02



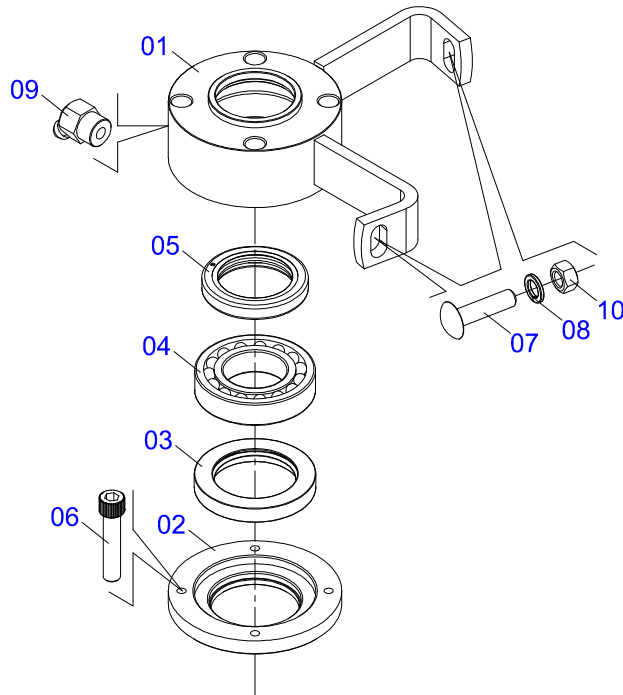
Item	Code	Description	See page	QT
001	0503016352	CLUTCH BOX		01
002	0503010428	M12 X 1,75 X30 BOLT		04
003	0503011440	SPRING WASHER		04
004	0541012143	FLAT WASHER		04
005	0501048241	DRIVE SHAFT	14	02
006	0521040890	DRIVE SHAFT	13	01
007	0521062815	SUPPORT BEARING		01
008	0503010239	1/2" X 1-1/2" BOLT		04
009	0521014188	FLAT WASHER		04
010	0503010019	1/2" SPRING WASHER		04
011	0503010060	1/2" NUT		04
012	0541019756	CARDAN SMALLE FIXER		01
013	0511017302	FLAT WASHER		01
014	0503030198	0.6" X 2.4" X 0.1" EXTENSION SPRING		01
015	0503010257	1/8" X 1" COTTERPIN		01
016	0511050253	CARDAN TRANSMISSION HUB		01
017	0521040821	TRANSMISSION BOX	7	01
018	0511051947	HYDRAULIC CIRCUIT		01
018A	0503062398	CONTROL PANEL		01
018B	0571011421	SUPPORT BOX CONTROL		01
018C	0503011334	BOLT 3/8 UNC X 3/4 CS G.5 ZN		02
018D	0503010025	3/8" SPRING WASHER		02
018E	0503010026	3/8" NUT		02
018F	0503062593	SWITCH CABLE		01
018G	0503062604	LIGHTHOUSE		01
018H	0503015056	NYLON CLAMP		20
018I	0503018699	WHIP		01
018J	0503018698	WHIP		01



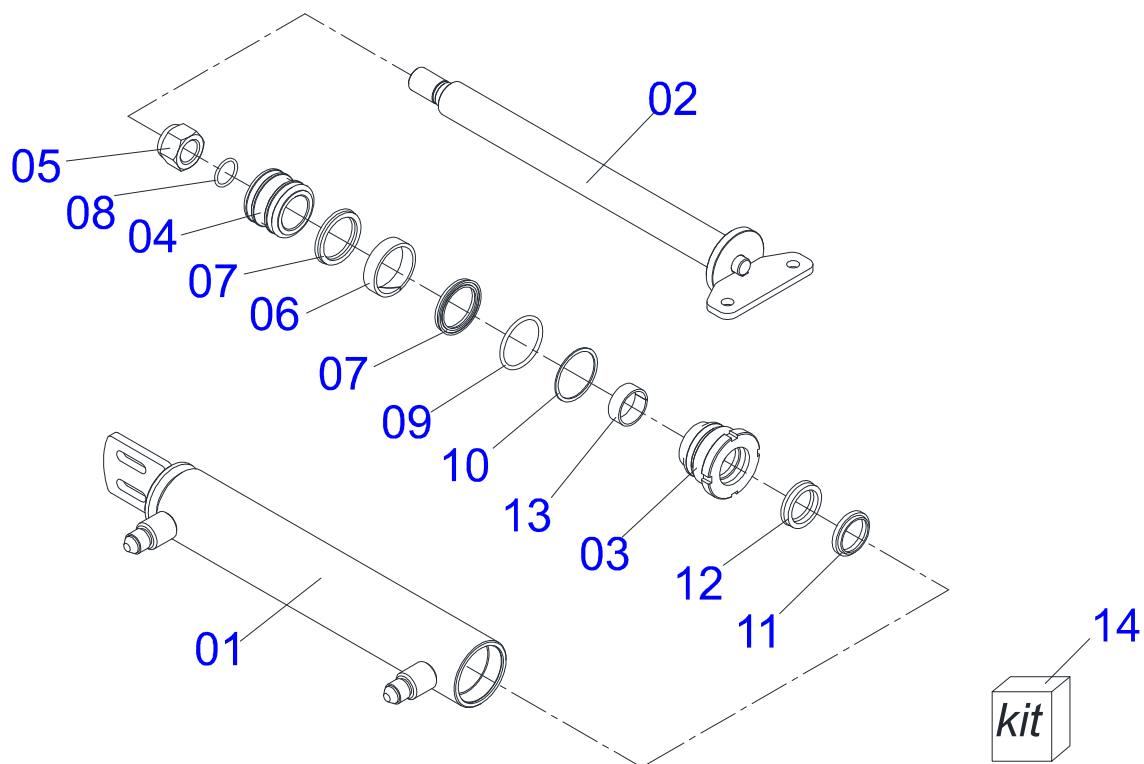
Item	Code	Description	See page	QT
01	0501048241	DRIVE SHAFT	14	01
02	0521040860	DRIVE SHAFT	12	01
03	0511051899	UNIVERSAL JOINT	11	01
04	0511050253	CARDAN TRANSMISSION HUB		01
05	0503010239	1/2" X 1-1/2" BOLT		04
06	0521014188	FLAT WASHER		04
07	0503010019	1/2" SPRING WASHER		04
08	0503010060	1/2" NUT		04
09	0541019756	CARDAN SMALLE FIXER		01
10	0511017302	FLAT WASHER		01
11	0503030198	0.6" X 2.4" X 0.1" EXTENSION SPRING		01
12	0503010257	1/8" X 1" COTTERPIN		01
13	0511041213	AGRICULTURAL BEARING		01
14	0503010428	M12 X 1,75 X30 BOLT		02
15	0503011440	SPRING WASHER		02
16	0541012143	FLAT WASHER		02
17	0521040821	TRANSMISSION BOX	7	01



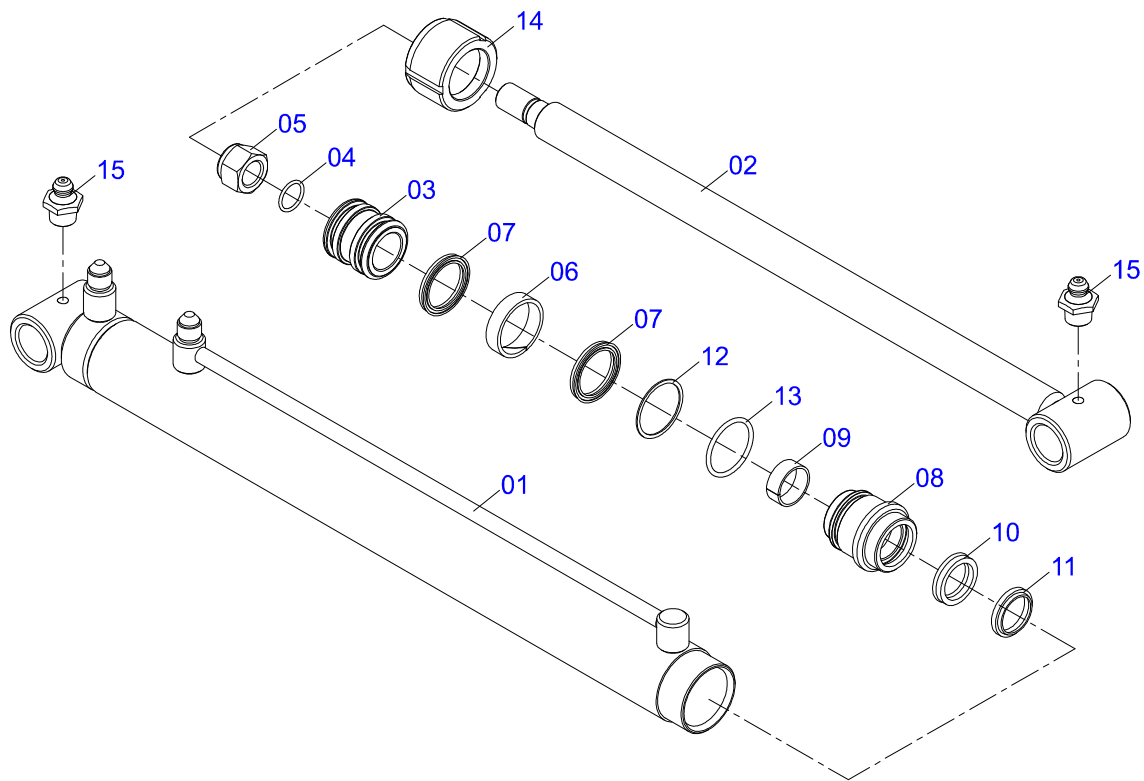
Item	Code	Description	See page	QT
01	0502010312	DISTRIBUTOR REDUCTION BOX		01
02	0502012695	UPPER COVER		01
03	0502010357	LOWER COVER		01
04	0503010276	6206 BALL BEARING		04
05	0571010264	TRANSMISSION BOX AXLE		01
06	0571011311	TRANSMISSION BOX AXLE		01
07	0503031030	5/16" X 1.98" KEYWAY		03
08	0503030153	15Z CONICAL GEAR		02
09	0571010262	SLEEVE 36 X 30,05/30,15 X 82,50		01
10	0503010083	50791MBL SEAL		02
11	0571011310	FIXER PLATE BOX TRANSMISSION		01
12	0503010237	3/8" X 1" BOLT		08
13	0503010751	C3/8" X 1.1/4" HEX BOLT G.5		04
14	0503011443	3/8" SPRING WASHER		12
15	0503031604	1/2" BSP PLUG		01
16	0502010437	HUB CENTRAL		01
17	0503030157	5.12" X 3.21" X 0.008" JOINT		03



Item	Code	Description	See page	QT
01	0511068635	CONDUCTOR LOWER HUB		01
02	0551015078	BEARING UPPER FLANGE		01
03	0503010804	00547-B SEAL		01
04	0503013511	1209-E BEARING ASSY		01
05	0551015432	SEAL 00838-B		01
06	0503014521	5/16 UNC X 1.1/2 CCSI 12.9 BOLT		04
07	0501010524	1/2" X 2" BOLT		02
08	0503010019	1/2" SPRING WASHER		02
09	0503010003	1845 GREASE FITTING		01
10	0503012682	1/2" BSW NUT		02

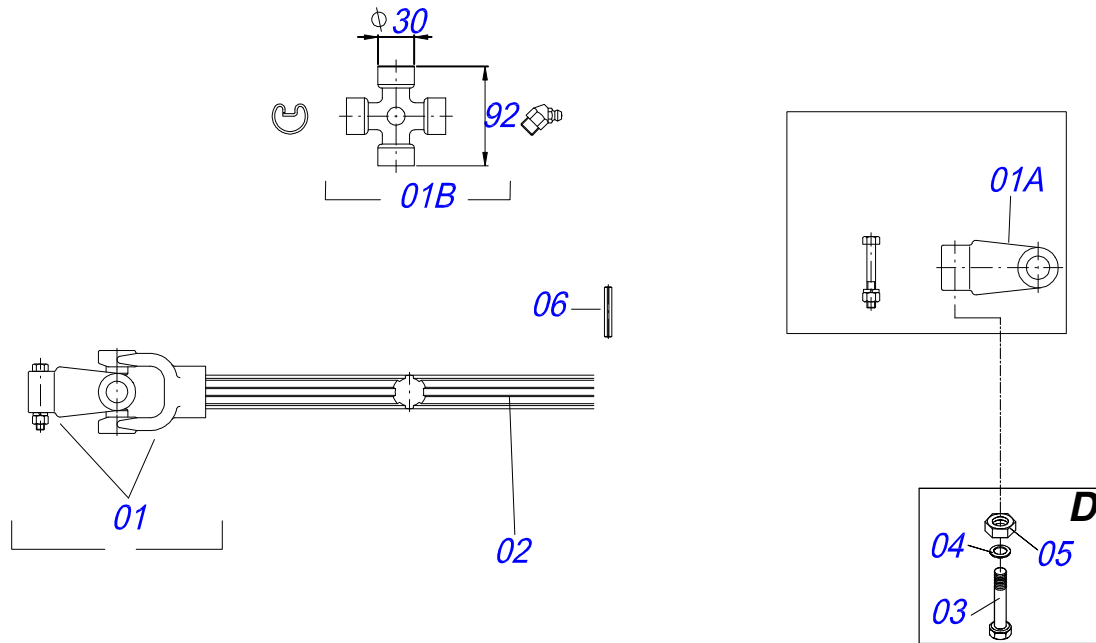


Item	Code	Description	See page	QT
00	0511049820	HYDRAULIC CYLINDER	9	01
01	0521062542	CYLINDER CASE		01
02	0511069926	31,75 X 31,70 X 419 ROD		01
03	0551019988	RING SUPPORT 31,75 X 50,80 X 47		01
04	0551019990	31,75 X 50,80 X 39,40 PISTON		01
05	0503010812	7/8" UNF SELF LOCKING NUT		01
06	0503010949	W2-2000-500 PK RING G.E		01
07	0503013920	GASKET 1870-1625		02
08	0503014677	2-118 O'RING		01
09	0503013917	O'RING 2-224		01
10	0503013918	8-224 BACK-UP RING		01
11	0503013915	D-1250 SCRAPER RING		01
12	0503013914	1870-1250-312B GASKET		01
13	0503014683	W1-1400-500 RING GUIDE		01
14	0501038643	ASSEMBLY		01

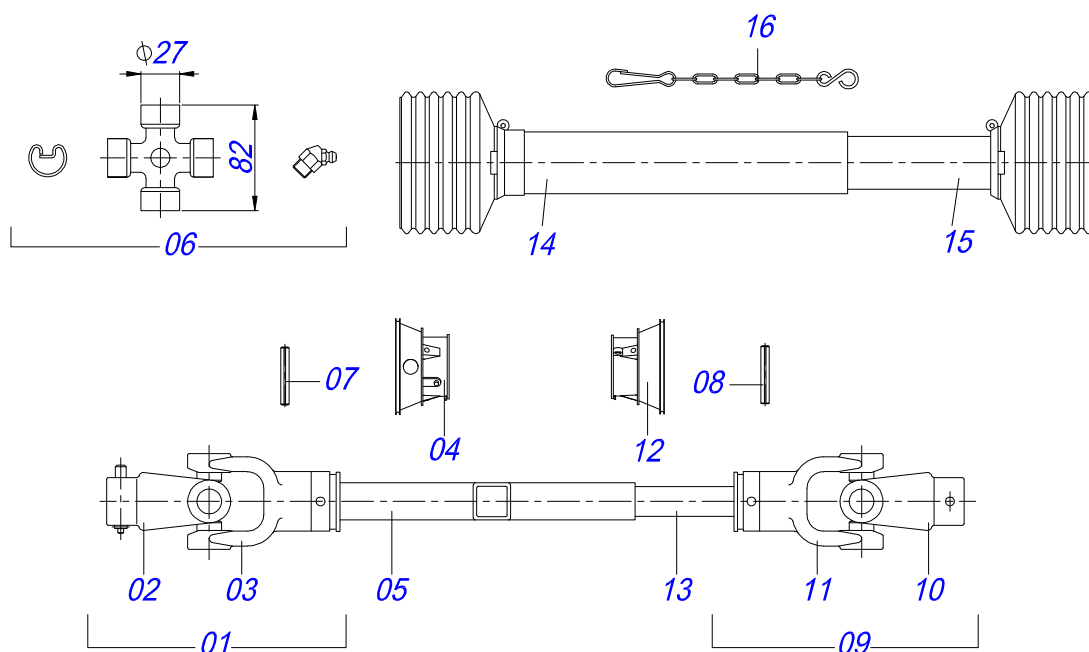


Item	Code	Description	See page	QT
01	0511069777	CYLINDER CASE ASSY		01
02	0511069778	ROD CILINDER ASSY		01
03	0551019465	TCA 16000 PISTON		01
04	0503014677	2-118 O'RING		01
05	0503010812	7/8" UNF SELF LOCKING NUT		01
06	0503010949	W2-2000-500 PK RING G.E		01
07	0503013920	GASKET 1870-1625		02
08	0551019466	RING SUPPORT		01
09	0503014683	W1-1400-500 RING GUIDE		01
10	0503013914	1870-1250-312B GASKET		01
11	0503013915	D-1250 SCRAPER RING		01
12	0503013918	8-224 BACK-UP RING		01
13	0503013917	O`RING 2-224		01
14	0551016592	MOBILE COVER		01
15	0503010002	1800 GREASE FITTING		02
16	0501038643	ASSEMBLY		01

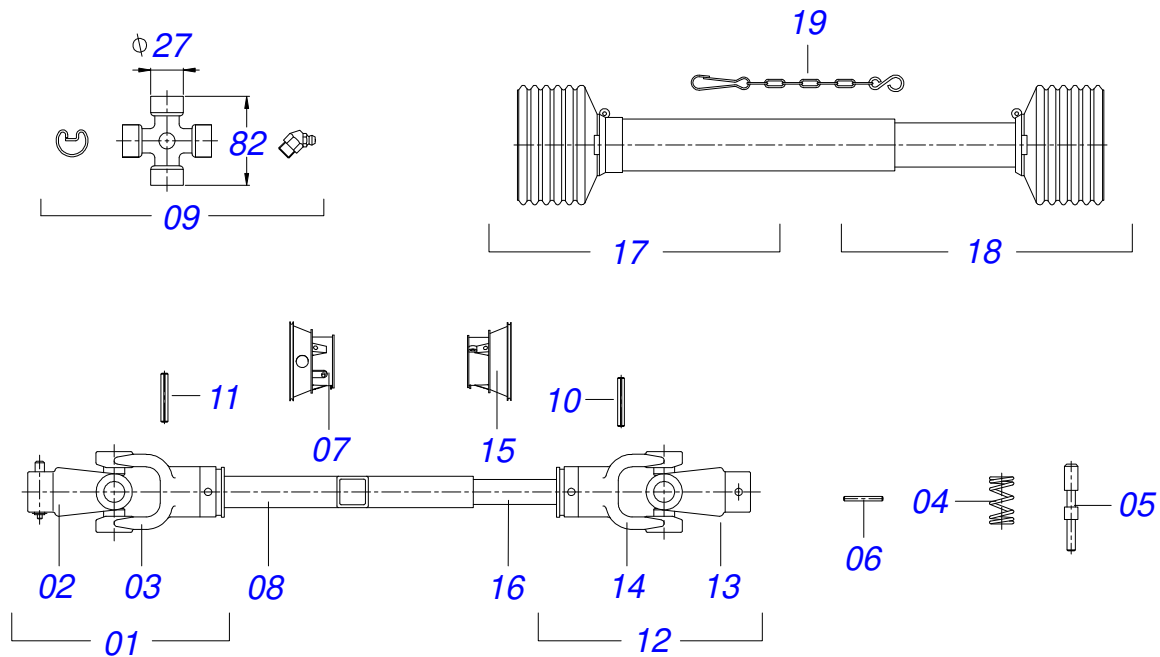




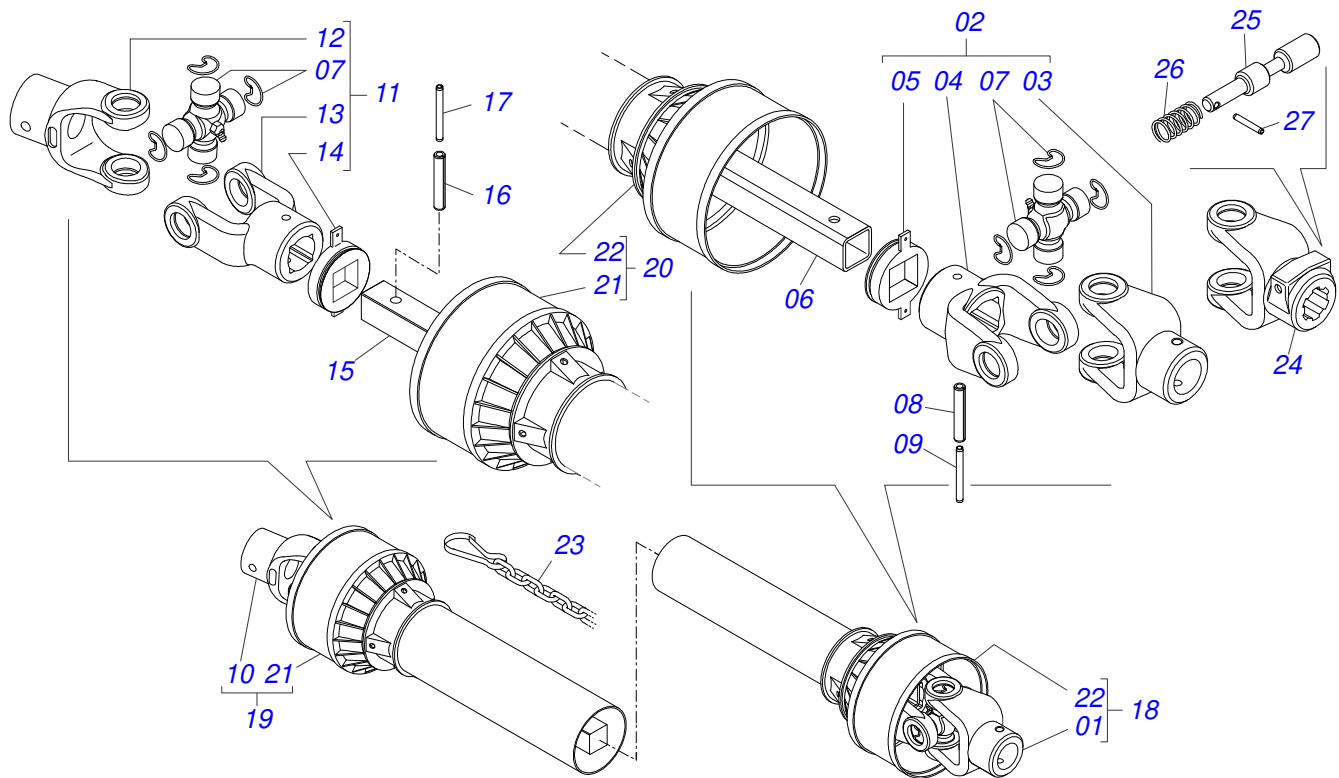
Item	Code	Description	See page	QT
01	0511051860	UNIVERSAL JOINT		01
01A	0502011611	9-40 TERMINAL		02
01B	0503010836	CARDAN CROSSPIECE		01
02	0571011422	30,00 X 1.680 AXLE		01
03	0503011268	3/8" X 2-1/2" BOLT		03
04	0503010025	3/8" SPRING WASHER		03
05	0503010026	3/8" NUT		03
06	0503011877	0.3" X 2.4" SPRING PIN		01



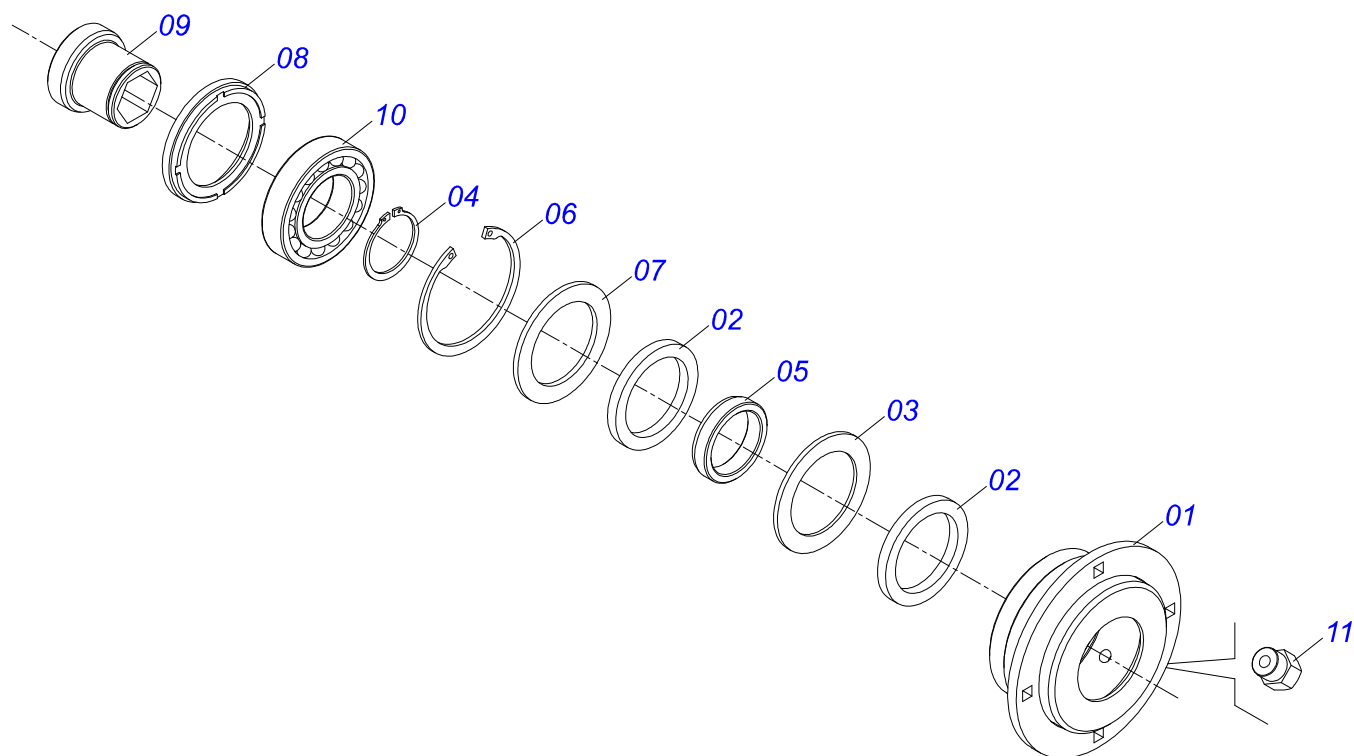
Item	Code	Description	See page	QT
01	0511052906	UNIVERSAL JOINT		01
02	0502010565	2-40 TERMINAL W/ SH 1.5"/1.5"		01
03	0502011611	9-40 TERMINAL		01
04	0503012069	ADAPTER FOR BUSHING PROTECT		01
05	0501017427	20" X 1.5" SQUARE SLEEVE		01
06	0503010836	CARDAN CROSSPIECE		02
07	0503010841	SPRING PIN		01
08	0503010840	SPRING PIN		01
09	0501052178	UNIVERSAL JOINT		01
10	0502011611	9-40 TERMINAL		01
11	0502010566	3-40 TERMINAL WITH SH 1.2"/1.2"		01
12	0503012070	ADAPTER FOR AXLE PROTECTION		01
13	0501017423	1.2" X 19.6" SQUARE SHAFT		01
14	0503016173	FEMALE PROTECTION ASSY		01
15	0503016186	MALE PROTECTION ASSY		01
16	0503012023	CHAIN FOR PROTECTION		01



Item	Code	Description	See page	QT
01	0501050265	UNIVERSAL JOINT		01
02	0502010565	2-40 TERMINAL W/ SH 1.5"/1.5"		01
03	0502010563	1-40 STRIATED 1.3/8" TERMINAL		01
04	0503030518	0.5"X1.0"X 0.1" COMPRESSION SPRING		01
05	0521010638	0.5" X 3.3" QUIC HITCH COUPL SHAFT		01
06	0503010838	0.1" X 0.8" SPRING PIN		01
07	0503012069	ADAPTER FOR BUSHING PROTECT		01
08	0561019708	SLLEVE 36,80/36,90 X Q30,30/30,40 X 1200		01
09	0503010836	CARDAN CROSSPIECE		02
10	0503010841	SPRING PIN		01
11	0503010840	SPRING PIN		01
12	0501052178	UNIVERSAL JOINT		01
13	0502011611	9-40 TERMINAL		01
14	0502010566	3-40 TERMINAL WITH SH 1.2"/1.2"		01
15	0503012070	ADAPTER FOR AXLE PROTECTION		01
16	0561019707	SQUARE SHAFT		01
17	0503016173	FEMALE PROTECTION ASSY		01
18	0503016186	MALE PROTECTION ASSY		01
19	0503012023	CHAIN FOR PROTECTION		01



Item	Code	Description	See page	QT
01	0501052176	SLEEVE UNIVERSAL JOINT	01	01
02	0501050265	UNIVERSAL JOINT	01	01
03	0501050333	1-40 TERMINAL WITH HITCH	01	01
04	0502010565	2-40 TERMINAL W/ SH 1.5"/1.5"	01	01
05	0503012069	ADAPTER FOR BUSHING PROTECT	01	01
06	0521013800	16" X 1.4" SQUARE SLEEVE	01	01
07	0503010836	CARDAN CROSSPIECE	02	01
08	0503011069	0.4" X 2.8" SPRING PIN	01	01
09	0503010510	0.2" X 2.6" SPRING PIN	01	01
10	0501052177	AXLE UNIVERSAL JOINT	01	01
11	0501052178	UNIVERSAL JOINT	01	01
12	0502011611	9-40 TERMINAL	01	01
13	0502010566	3-40 TERMINAL WITH SH 1.2"/1.2"	01	01
14	0503012070	ADAPTER FOR AXLE PROTECTION	01	01
15	0521013801	1.2" X 15.7" SQUARE SHAFT	01	01
16	0503010361	SPRING PIN	01	01
17	0503010756	0.2" X 2.4" SPRING PIN	01	01
18	0501052179	PROT/SLEEVE UNIVERSAL JOINT	01	01
19	0501052180	PROT/AXLE UNIVERSAL JOINT	01	01
20	0503012277	PROTECTION ASSY	01	01
21	0503012279	PROTECTION FOR UNIV JOINT AND AXLE	01	01
22	0503012278	PROTECTION FOR UNIV JOINT SLEEVE	01	01
23	0503012023	CHAIN FOR PROTECTION	02	01
24	0502010563	1-40 STRIATED 1.3/8" TERMINAL	01	01
25	0521010638	0.5" X 3.3" QUIC HITCH COUPL SHAFT	01	01
26	0503030518	0.5"X1.0"X 0.1" COMPRESSION SPRING	01	01
27	0503010838	0.1" X 0.8" SPRING PIN	01	01



Item	Code	Description	See page	QT
01	0511068633	SUPPORT HUB		01
02	0503032420	FELT WASHER		02
03	0541016557	FELT WASHER SUPPORT		01
04	0503010542	501045 CLAMPING RING (FOR AXLE)		01
05	0541016550	44,91 X 57,50 X 13 SLEEVE		01
06	0503013200	502085 CLAMPING RING (FOR AXLE)		01
07	0541016558	FLAT WASHER		01
08	0541016556	FELT GUIDE ROLLER HUB		01
09	0541016548	HEX SLEEVE 32 X 57,50 X 54		01
10	0503013511	1209-E BEARING ASSY		01
11	0503010003	1845 GREASE FITTING		01





[www.marchesan.com.br](http://www.marchesan.com.br)



**Technical Publications | Elaboration and Revision**  
JOSÉ DOMINGOS GASPARI