

HINGE TYPE OFFSET DISK HARROW

GNPT 44/48/52/60/64/72/84D - PA

Code: 0501091015

Series: S-0112

Revision: 00

Date Revision: MAIO/2021

PARTS CATALOGUE



MARCHESAN



PRODUCTS

Code	Description
0102500025	GNPT 44X22X4,5 DM DR PA S-0112
0102500024	GNPT 44X22X4,5 DM MT PA S-0112
0102500027	GNPT 48X22X4,5 DM DR PA S-0112
0102500010	GNPT 48X22X4,50 DM MT PA S-0112
0102500030	GNPT 52X22X4,50 DM DR PA S-0112
0102500011	GNPT 52X22X4,50 DM MT PA S-0112
0102500034	GNPT 60X22X4,50 DM DR PA S-0112
0102500033	GNPT 60X22X4,50 DM MT PA S-0112
0102500035	GNPT 64X22X4,50 DM MT PA S-0112
0102500009	GNPT 72X22X4,50 DM MT PA S-0112
0102500007	GNPT 84X22X4,50 DM MT PA S-0112

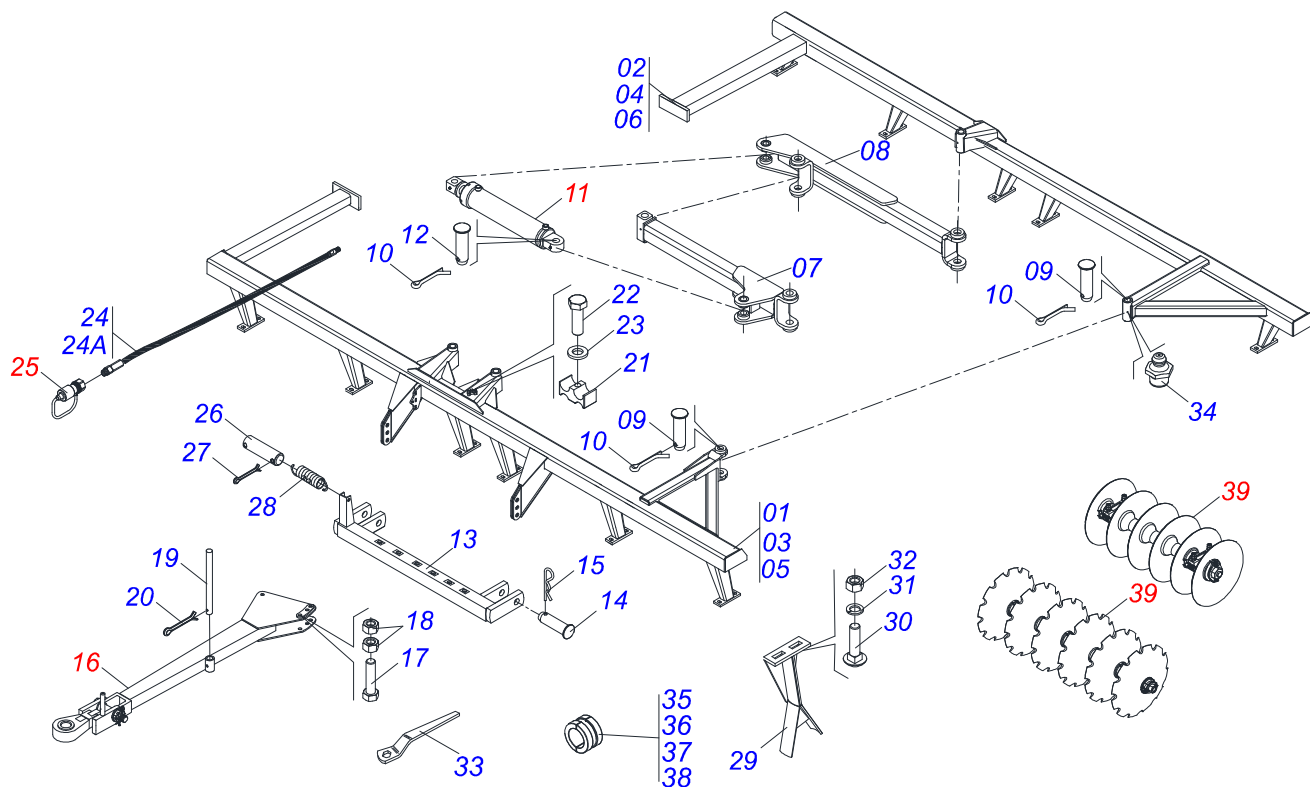
ATTENTION: IMPORTANT

Marchesan S.A. reserves the right to improve and / or modify the technical features of its products, without obligation to do the same with those products already sold and without prior knowledge of the dealer or the consumer.



INDEX

0909090523	ASSY FRAME - 44/48/52D	1
0909090522	ASSY FRAME - 60/64/72/84D	2
0511046412	HYDRAULIC CYLINDER	5
0511048232	HYDRAULIC CILINDER CH	6
0511050413	DRAYBAR	7
0511050314	AXLE ASSY	8
0501053834	MALE QUICK COUPLER WITH CAP - 1/2 NPT	9
0909090524	GANG DISC	12
0511040472	AGRICULTURAL BEARING	13



Item	Code	Description	See page	44	48	52
01	0521064787	FRONT FRAME - 44		01	00	00
02	0521061280	REAR FRAME - 44		01	00	00
03	0521064660	FRONT FRAME - 48		00	01	00
04	0521061286	REAR FRAME - 48		00	01	00
05	0521064788	FRONT FRAME - 52		00	00	01
06	0521061284	REAR FRAME - 52		00	00	01
07	0521061058	ARM FRONT		01	01	01
08	0521061059	REAR ARM		01	01	01
09	0511060177	PIN		04	04	04
10	0503010010	1/4" X 2.1/2" COTTERPIN		06	06	06
11	0511048232	HYDRAULIC CILINDER CH	6	01	01	01
12	0531017203	PIN		02	02	02
13	0511060640	DRAWBAR ASSY		01	01	01
14	0521014519	PIN WITH HEAD PN-009 3090092		02	02	02
15	0503031470	TM 251 X 4,0 STAPLE		02	02	02
16	0511050413	DRAYBAR	7	01	01	01
17	0503013185	3/4" X 5-1/2" BOLT		02	02	02
18	0503012183	SNC 3/4" ZIN 1K03097 NUT		04	04	04
19	0511060205	SUPPORT HOSE CNS 20104N		01	01	01
20	0503012215	5/16" X 2-1/2" COTTERPIN		01	01	01
21	0502012702	BODY SUPPORT CLAMP		02	02	02
22	0503012555	SCREW 7/16 UNC X 2 CS RT G.7 ZN		02	02	02
23	0503010180	7/16" SPRING WASHER		02	02	02
24	0501058493	HOSE ASSY		01	01	01
24A	0501080651	3/8 X 5400 TM-TM HOSE		02	02	02
25	0501053834	MALE QUICK COUPLER WITH CAP - 1/2 NPT	9	02	02	02
26	0521013816	PIN SEM HEAD PN-052 3090523 ZN		01	01	01
27	0503010362	1/8" X 1.1/4" COTTERPIN		02	02	02
28	0503031498	SPRING		01	01	01
29	0511060204	CLEANER - OPTIONAL		32	36	40
30	0503019588	BOLT		60	68	76



ASSY FRAME - 44/48/52D

0909090523

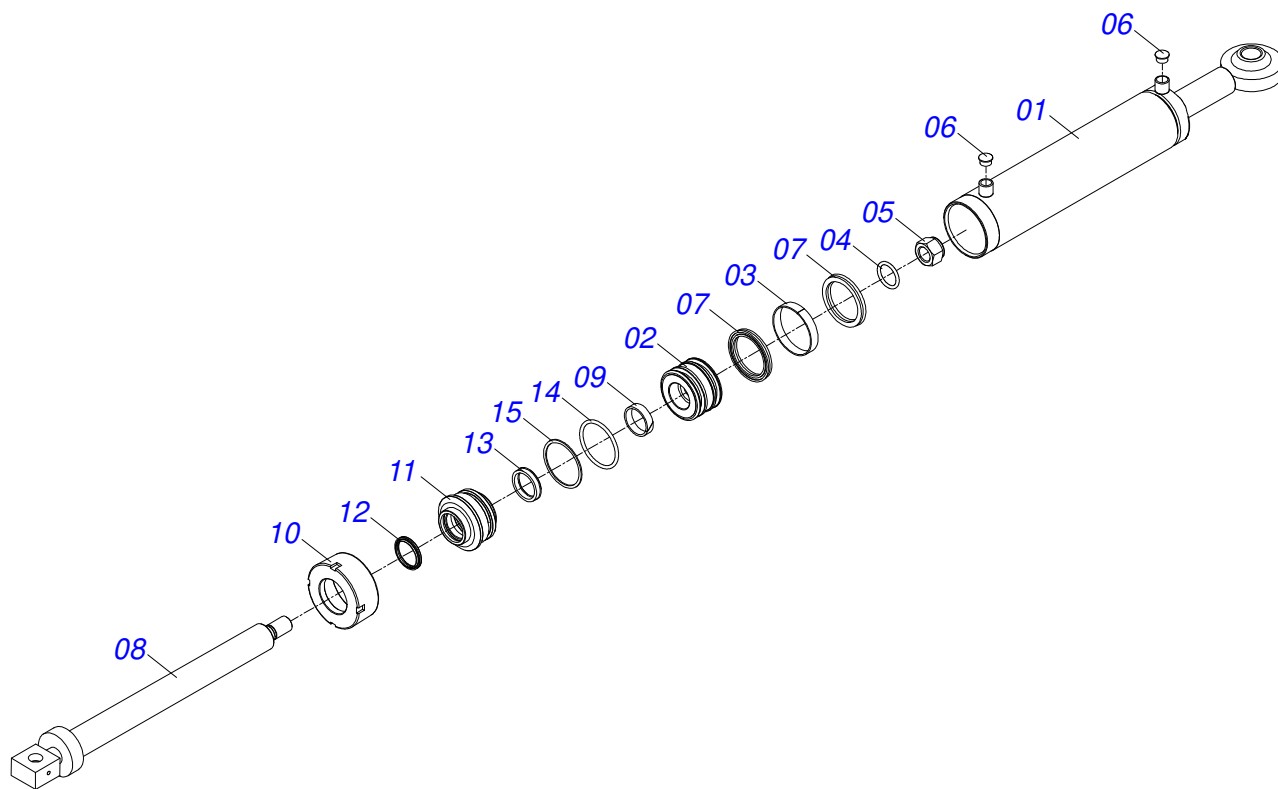
Item	Code	Description	See page	44	48	52
31	0503010019	1/2" SPRING WASHER		64	72	80
32	0503010020	1/2"NUT		60	68	76
33	0501011432	1-1/2" AND 1-5/8 GANG BOLT WRENCH		02	02	02
34	0503010002	1800 GREASE FITTING		09	09	09
35	0501047895	ROD STOP		02	02	02
36	0501047885	ROD STOP		01	01	01
37	0501047886	ROD STOP		01	01	01
38	0501047887	ROD STOP		01	01	01
39	0909090524	GANG DISC	12	01	01	01



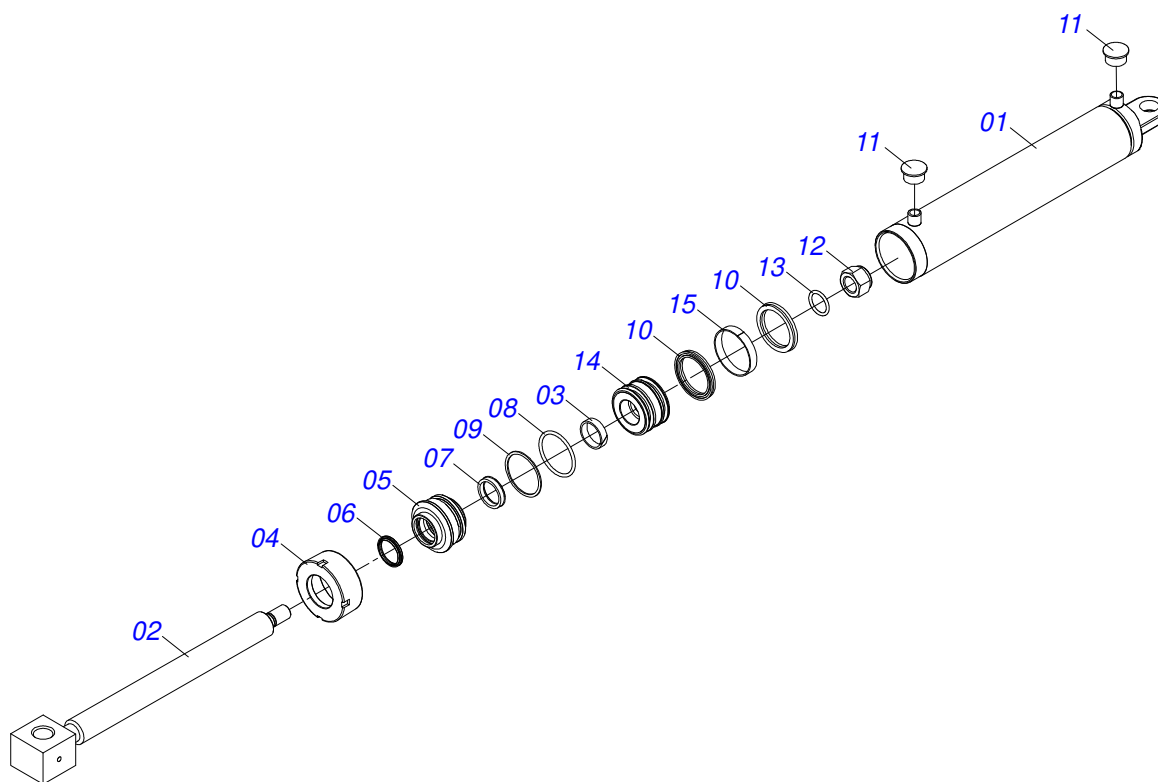
ASSY FRAME - 60/64/72/84D

0909090522

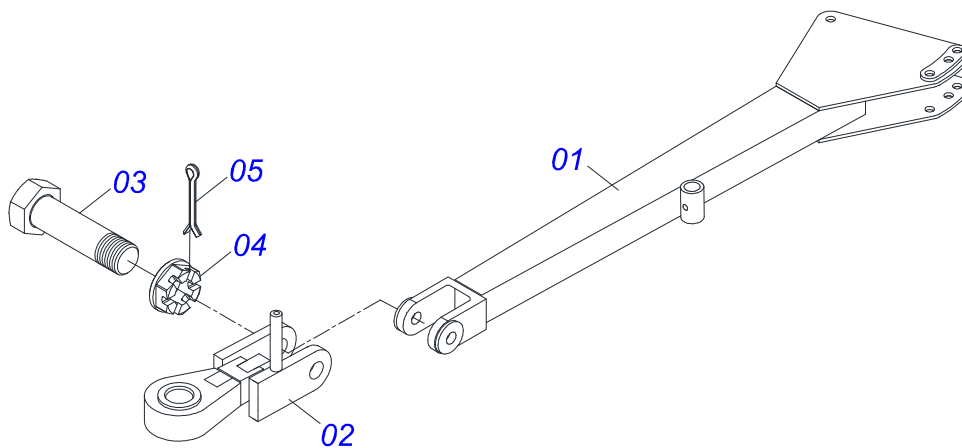
Item	Code	Description	See page	60	64	72	84
32	0503031648	STEEL CABLE		02	02	02	02
33	0521013784	BOLT CABLE		02	02	02	02
34	0521013783	BOLT CABLE		02	02	02	02
35	0511062281	TURNBUCKLE GNC 721000		02	02	02	02
36	0511062275	PIN		02	02	02	02
37	0511062279	DRAWBAR ASSY		01	01	01	01
38	0511062282	HITCH BODY		02	02	02	02
39	0521019898	PIN PN-217 3092173		02	02	02	02
40	0521012664	FLAT WASHER		02	02	02	02
41	0503012457	UNF 1.1/4" CASTLE NUT		02	02	02	02
42	0503010067	3/16" X 2.1/2" COTTER PIN		02	02	02	02
43	0511062274	PIN		04	04	04	04
44	0503012213	1/4" COTTERPIN		04	04	04	04
45	0511050314	AXLE ASSY	8	01	01	01	01
46	0503031511	SPRING		01	01	01	01
47	0521014140	PIN SEM HEAD PN-060 3090606 ZN		01	01	01	01
48	0503010362	1/8" X 1.1/4" COTTERPIN		02	02	02	02
49	0511060205	SUPPORT HOSE CNS 20104N		01	01	01	01
50	0502012702	BODY SUPPORT CLAMP		03	03	03	03
51	0521013774	GVMF LOCK		01	01	01	01
52	0501010108	5/8" X 1" BOLT		01	01	01	01
53	0501012140	FLAT WASHER		01	01	01	01
54	0503010027	5/8" SPRING WASHER		01	01	01	01
55	0511060204	CLEANER - OPTIONAL		44	48	48	60
56	0501010243	1/2" X 1-1/2" BOLT		84	92	92	116
57	0503010019	1/2" SPRING WASHER		92	100	100	124
58	0503012682	1/2" BSW NUT		84	92	92	116
59	0501047895	ROD STOP		04	04	04	04
60	0511017302	FLAT WASHER		08	08	08	08
61	0503012555	SCREW 7/16 UNC X 2 CS RT G.7 ZN		03	03	03	03
62	0503010180	7/16" SPRING WASHER		03	03	03	03
63	0501053218	HOSE ASSY		01	01	01	01
63A	0501080803	TM-TM HOSE ASSY		02	02	02	02
64	0501053834	MALE QUICK COUPLER WITH CAP - 1/2 NPT	9	02	02	02	02
65	0503010002	1800 GREASE FITTING		21	21	21	21
66	0501011432	1-1/2" AND 1-5/8 GANG BOLT WRENCH		02	02	02	02
67	0511062276	WEIGHT BOX		01	01	01	01
68	0503010834	1/2 X 1 BOLT		04	04	04	04
69	0503010060	1/2" NUT		12	12	12	12
70	0909090524	GANG DISC	12	01	01	01	01



Item	Code	Description	See page	QT
01	0511069435	CYLINDER CASE		01
02	0502010992	2.0" X 4.0" PISTON		01
03	0503010994	W2-4000-500 PK RING G.E		01
04	0503010345	2-218 N 3006-9B O'RING		01
05	0503010817	1.1/4" SELF LOCKING NUT		01
06	0503030384	CON PLUG N-001		02
07	0503010043	PACKING 3750-3250		02
08	0511069434	SCARIFIER SPINDLE SET		01
09	0503010952	W2-2250-500 RING		01
10	0502010017	4" HEAD		01
11	0502010778	2" X 4.2" RING SUPPORT		01
12	0503010039	D-2000 SCRAPER RING		01
13	0503010991	1870-2000-375-B GASKET		01
14	0503010338	2-342 N 3006-9B O'RING		01
15	0503011061	8-342 BACK-UP RING		01

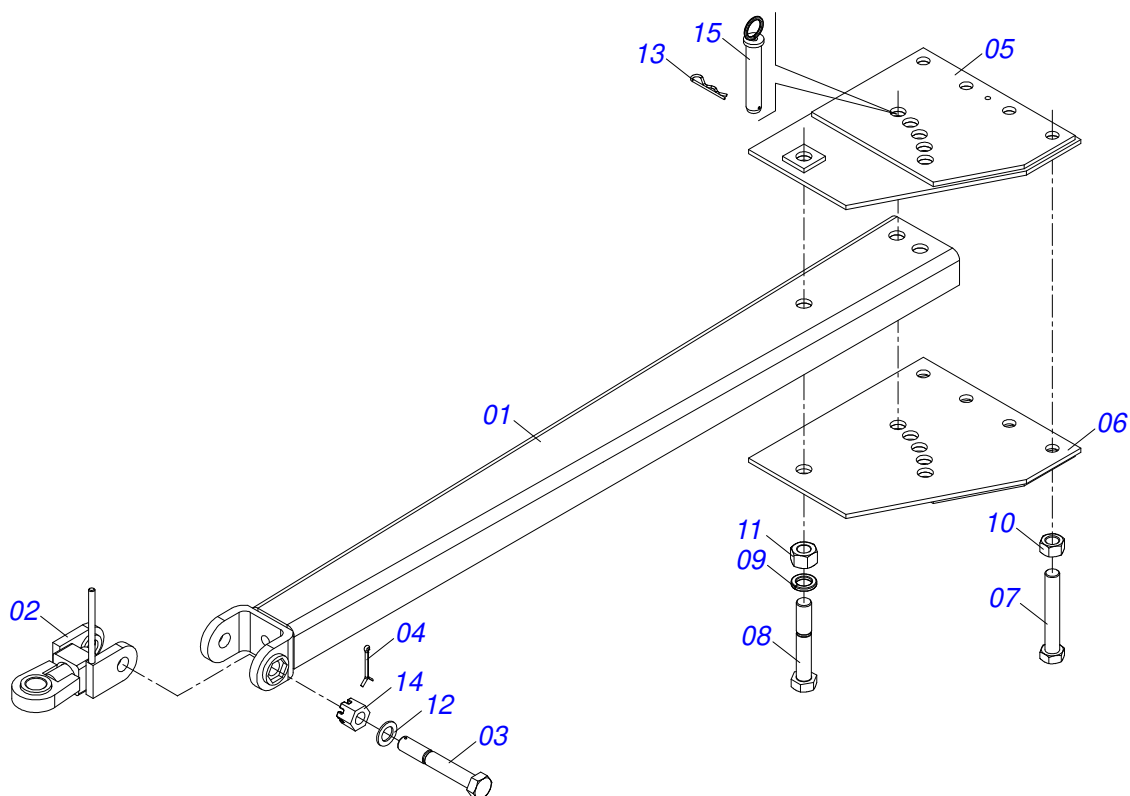


Item	Code	Description	See page	QT
01	0521061266	CYLINDER CASE		01
02	0521061265	SCARIFIER SPINDLE SET		01
03	0503010952	W2-2250-500 RING		01
04	0502010017	4" HEAD		01
05	0502010778	2" X 4.2" RING SUPPORT		01
06	0503010039	D-2000 SCRAPER RING		01
07	0503010991	1870-2000-375-B GASKET		01
08	0503010338	2-342 N 3006-9B O'RING		01
09	0503011061	8-342 BACK-UP RING		01
10	0503010043	PACKING 3750-3250		02
11	0503030384	CON PLUG N-001		02
12	0503010817	1.1/4" SELF LOCKING NUT		01
13	0503010345	2-218 N 3006-9B O'RING		01
14	0502010992	2.0" X 4.0" PISTON		01
15	0503010994	W2-4000-500 PK RING G.E		01

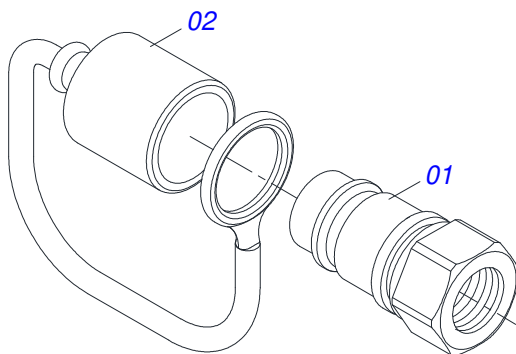


Item	Code	Description	See page	QT
01	0511060638	AXLE ASSY		01
02	0511060639	HOOK HITCH		01
03	0521014427	BOLT BORED		01
04	0503016586	CASTLE NUT		01
05	0503010067	3/16" X 2.1/2" COTTER PIN		01

AXLE ASSY

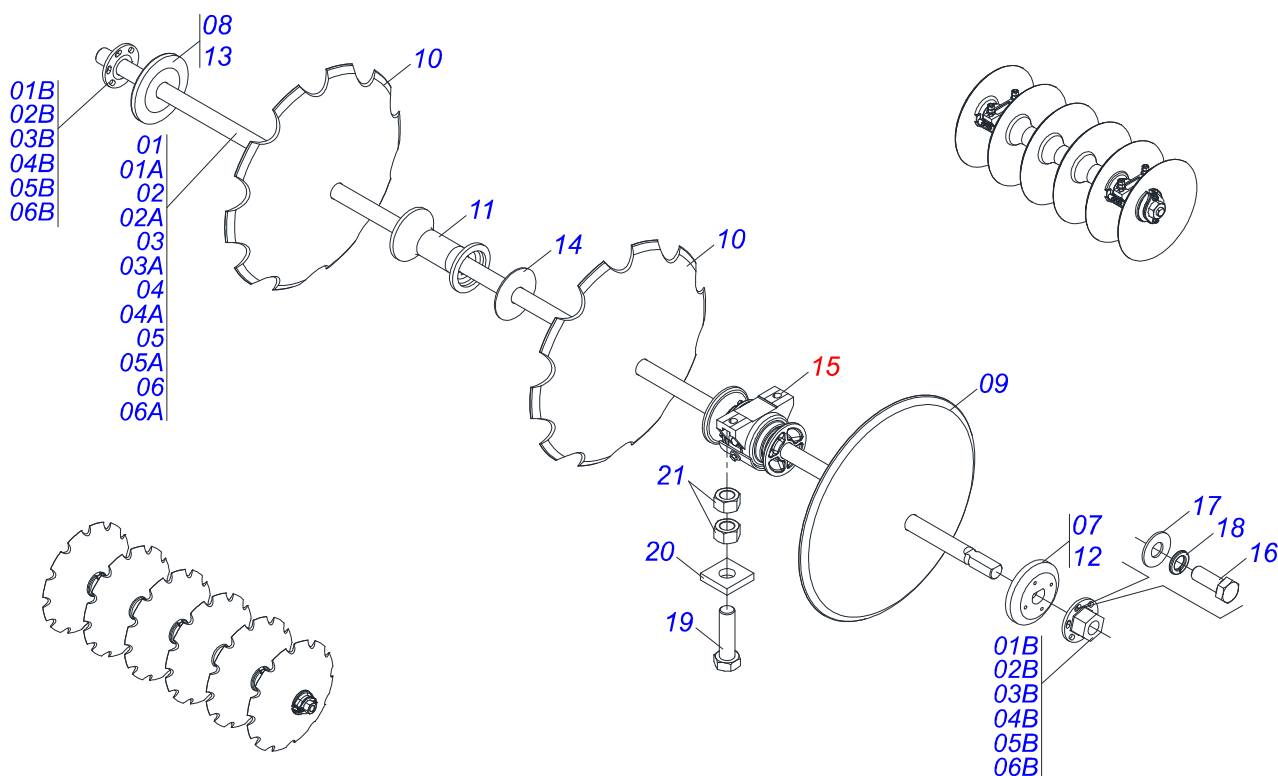


Item	Code	Description	See page	QT
01	0511062280	AXLE ASSY		01
02	0511063351	HITCH		01
03	0521013739	BOLT HARNESS		01
04	0503010010	1/4" X 2.1/2" COTTERPIN		01
05	0511060171	PLATE HITCH		01
06	0511060172	PLATE HITCH		01
07	0503012174	1-1/4" X 8-1/4" BOLT		04
08	0503012258	1-1/2" X 9" BOLT		01
09	0503010069	1.1/2" SPRING WASHER		01
10	0503012181	1.1/4" NUT		04
11	0503012259	UNC1.1/2" ZIN 1K03155 NUT		01
12	0501012916	FLAT WASHER 38,50 X 66 X 4,75 ZN		01
13	0503031479	STAPLE		01
14	0502011592	CASTLE NUT		01
15	0511060146	PIN FIXER		01



Item	Code	Description	See page	QT
01	0503011627	MALE QUICK COUPLER AGR 1/2 NPT		01
02	0503011882	MALE QUICK COUPLER CAP		01

GANG DISC



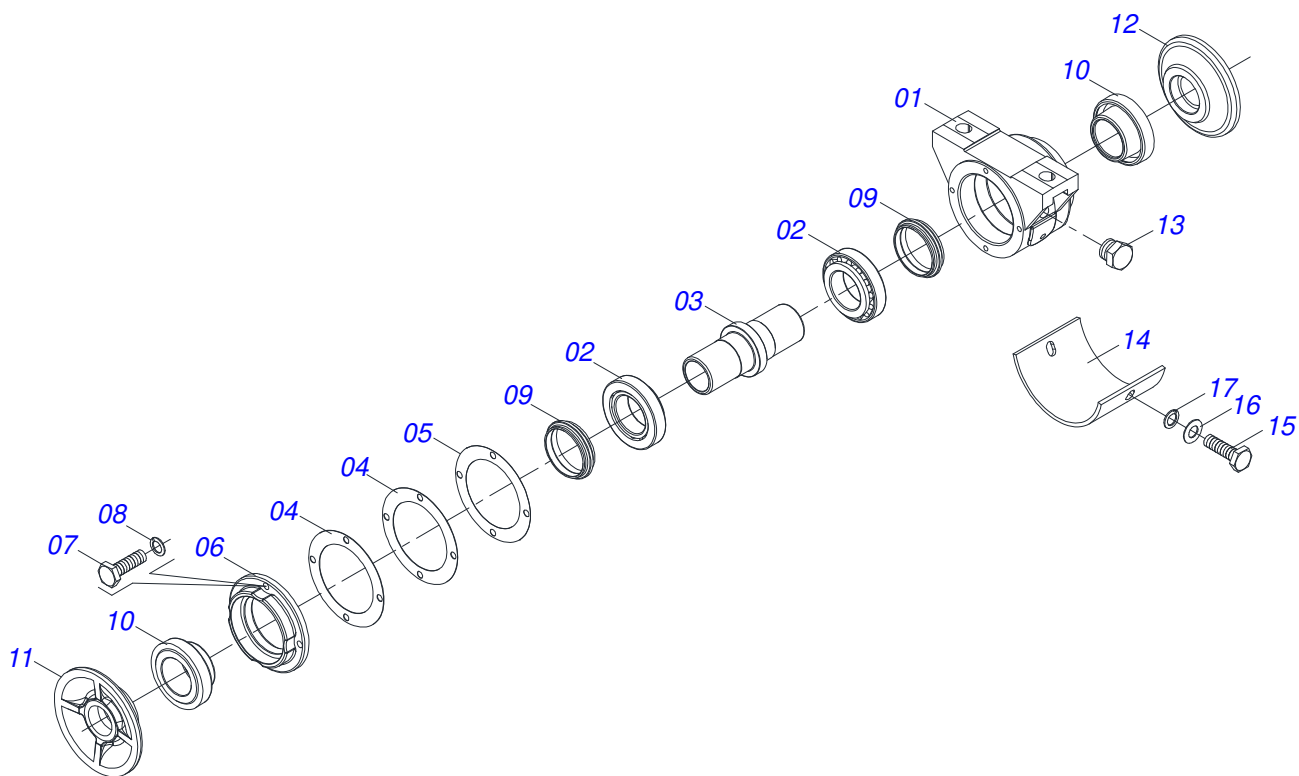
Item	Code	Description	See page	44	48	52	60	64	72	84
01	0511051175	AXLE DISC WITH NUTS		00	00	00	00	00	08	08
01A	0511060780	AXLE DISC		00	00	00	00	00	01	01
01B	0502011593	7" AXLE NUT		00	00	00	00	00	01	01
02	0511050184	AXLE DISC WITH NUTS		04	00	00	00	00	00	00
02A	0511060806	AXLE DISC		01	00	00	00	00	00	00
02B	0502011593	7" AXLE NUT		01	00	00	00	00	00	00
03	0511050329	AXLE DISC WITH NUTS		00	04	00	00	00	00	00
03A	0511060786	AXLE DISC		00	01	00	00	00	00	00
03B	0502011593	7" AXLE NUT		00	01	00	00	00	00	00
04	0511050778	AXLE DISC WITH NUTS		00	00	04	02	00	00	00
04A	0511060805	AXLE DISC		00	00	01	01	00	00	00
04B	0502011593	7" AXLE NUT		00	00	01	01	00	00	00
05	0511050562	AXLE DISC WITH NUTS		00	00	00	00	04	08	00
05A	0511060787	AXLE DISC		00	00	00	00	01	01	00
05B	0502011593	7" AXLE NUT		00	00	00	00	01	01	00
06	0511050751	AXLE DISC		00	00	00	00	04	00	00
06A	0511060808	AXLE DISC		00	00	00	00	01	00	00
06B	0502011593	7" AXLE NUT		00	00	00	00	01	00	00
07	0502011609	OUTER FLANGE		02	02	02	04	04	04	04
08	0502011608	INNER FLANGE		02	02	02	04	04	04	04
09	0601029406	22" X 4,5 PLAIN DISC BLADE		21	24	26	30	32	36	42
10	0602029003	22" X 4,5 NOTCHED DISC BLADE		21	24	26	30	32	36	42
11	0502011594	SPACER		28	32	36	44	48	52	56
12	0502011607	OUTER FLANGE		02	02	02	04	04	04	04
13	0502011606	INNER FLANGE		02	02	02	04	04	04	04
14	0521013879	GNC 57900 CHOCK		12	12	12	12	12	12	12
15	0511040472	AGRICULTURAL BEARING	13	12	12	12	16	16	24	24
16	0503010237	3/8" X 1" BOLT		08	08	08	16	16	16	16
17	0501013518	FLAT WASHER		08	08	08	16	16	16	16
18	0503010025	3/8" SPRING WASHER		08	08	08	16	16	16	16
19	0503012246	5/8" X 2-3/4" BOLT		24	24	24	32	32	48	48



GANG DISC

0909090524

Item	Code	Description	See page	44	48	52	60	64	72	84
20	0521013775	FLAT WASHER		24	24	24	32	32	48	48
21	0503010129	5/8" NUT		48	48	48	64	64	96	96



Item	Code	Description	See page	QT
01	0502012014	BODY BEARING	01	01
02	0503010006	32210 ROLLER BEARING	02	02
03	0502040514	157,50 / 157,35 AXLE	01	01
04	0503031730	JOINT SEALING	02	02
05	0503031729	JOINT SEALING	01	01
06	0502012015	BEARING COVER	01	01
07	0503010371	5/16" X 1" BOLT	04	04
08	0503011444	SPRING WASHER	04	04
09	0503030026	SEAL LP JB-253	02	02
10	0502010541	SEAL RETAINER	02	02
11	0502010604	OUTER FLANGE	01	01
12	0502010605	INNER FLANGE	01	01
13	0503010856	OIL PLUG	01	01
14	0521013857	PLATE PROTECTION	01	01
15	0503011334	BOLT 3/8 UNC X 3/4 CS G.5 ZN	02	02
16	0501010984	FLAT WASHER	02	02
17	0503010025	3/8" SPRING WASHER	02	02



MARCHESAN

Technical Publications | Elaboration and Revision

ALESSANDRA PATRICIA KAWAHARA CARRILI

www.marchesan.com.br

