

CORN HEAD

PMT 05/06/07/08/09/10/11/12/13/15 LINES

Code: 0501091000
Series: S-0112
Revision: 00
Date Revision: SETEMBRO/2013

PARTS CATALOGUE



MARCHESAN



PRODUCTS

Code	Description
0116011199	PMT 3250/7 E-450 IDEAL 1175 S-0112
0116010847	PMT 3250/7 E-450 MF3640/5650 S-0112
0116011212	PMT 3700/8E450 JD SLC6200 S-0112
0116010690	PMT 4150/5 E-800 NH TC 5070 S-0112
0116011057	PMT 4150/5 E-800 NH TC55/57 S-0112
0116010718	PMT 4150/5 E-900 NH TC 5070 S-0112
0116011200	PMT 4150/8 E-500 MFADV5650 TRD S112
0116010714	PMT 4150/8 E-500 NH TC55/57 S-0112
0116010842	PMT 4150/8 ESP 500 JD 1175 S-0112
0116010716	PMT 4150/9 E-450 JD 1175 S-0112
0116010874	PMT 4150/9 E-450 MF ADV 5650 S-0112
0116011073	PMT 4150/9 E-450 NH TC 5070 S-0112
0116010699	PMT 4150/9 E-450 NH TC55/57 S-0112
0116011196	PMT 4150/9 E-450 NH5050/8055 S-0112
0116010879	PMT 4600/10 E-450 MF ADV 5650 S0112
0116010767	PMT 4600/5 ESP 900 VTR BC4500 S0112
0116010717	PMT 4600/6 E-800 NH TC 5090 S-0112
0116011077	PMT 4600/9 E-500 NH TC 5070 S-0112
0116010992	PMT 5050/10 E-500 JD 1175 S0112
0116011101	PMT 5050/10 E-500 NH TC 5090 S0112
0116010885	PMT 5050/11 E-450 MF ADV 5650 S0112
0116010685	PMT 5050/11 E-450 NH TC 5090 S0112
0116011194	PMT 5050/11 E450 NHCR5080/6080/9060
0116011098	PMT 5050/7 E-700 NH TC 5090 S-0112
0116010890	PMT 5500/10 E-550 MF ADV 5650 S0112
0116011102	PMT 5500/6 E-900 NH TC 5090 S-0112
0116011137	PMT 5500/6 E-900 NH TC 59 S-0112
0116011192	PMT 5550/11 E-500 JD 9570 S-0112
0116011190	PMT 5550/11 E-500 NH TC5090 S-0112
0116011195	PMT 5950/13 E-450 JD94/9570STS S112

ATTENTION: IMPORTANT

Marchesan S.A. reserves the right to improve and/or modify the technical features of its products, without obligation to do the same with those products already sold and without prior knowledge of the dealer or the consumer. The photos are only illustrative.



PRODUCTS

0116011163	PMT 5950/13 E-450 NH CR 9060 S0112
0116011189	PMT 5950/7 E-900 NH TC 59 S-0112
0116010817	PMT 6050/12 E-500 VTR BC6500 S-0112
0116011174	PMT 6600/13 E-500 NH CR 9060 S0112
0116011184	PMT 6850/15 E-450 NH CR 9060 S0112
0116010964	PMT 7550/15 E-500 JD 9570 STS S0112
0116011185	PMT 7550/15 E-500 NH CR 9060 S0112
0116011191	PMT-A 6050/12 E-500 NH 9060 S-112

ATTENTION: IMPORTANT

Marchesan S.A. reserves the right to improve and/or modify the technical features of its products, without obligation to do the same with those products already sold and without prior knowledge of the dealer or the consumer. The photos are only illustrative.

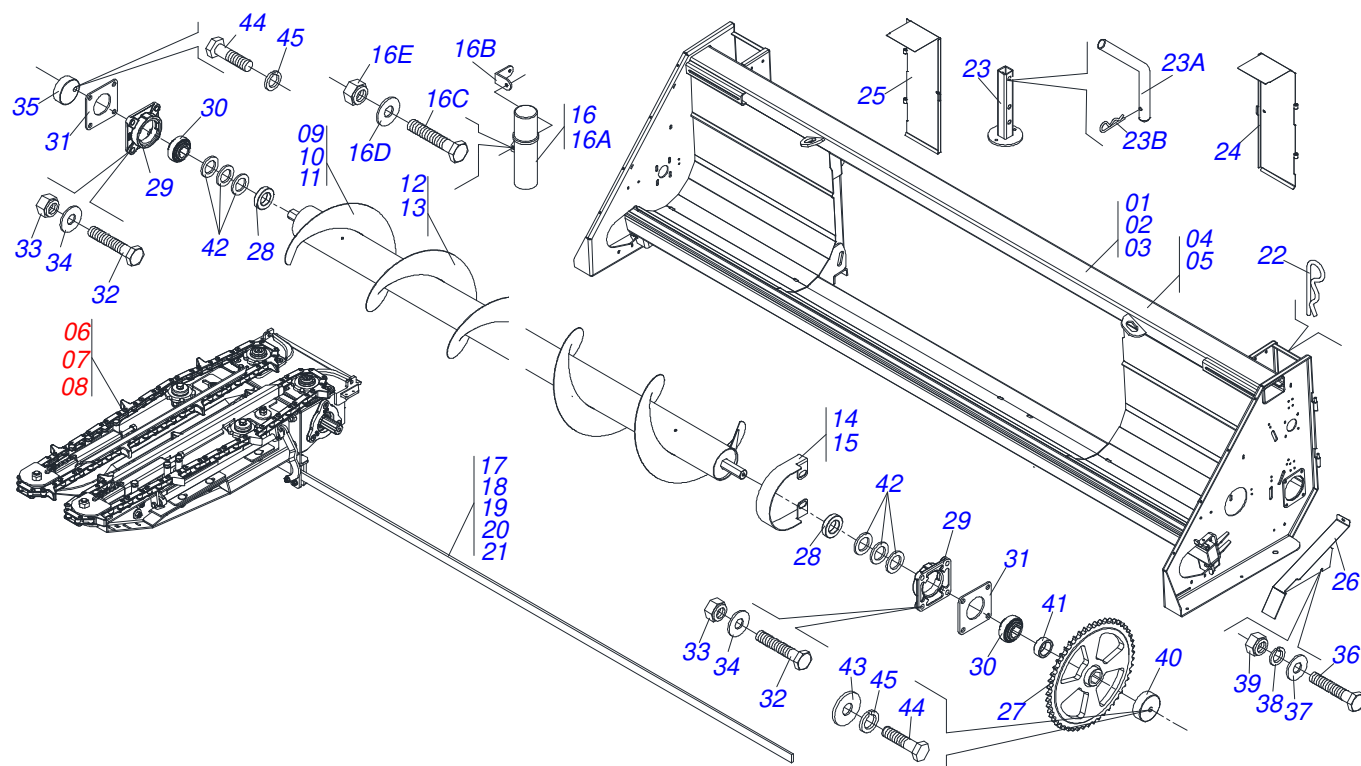


MARCHESAN

INDEX

0909094078	SEMIFINISHED FRAME S-0112	1
0909098834	SEMIFINISHED FRAME	2
0909094070	CORN CENTRAL LINE	3
0909094071	RIGHT CORN ROW	4
0909094072	LEFT CORN ROW	5
0909094069	TRANSMISSION BOX	6
0909094068	BOX ASSY	7
0909094516	FAIRING SET ROW CENTER	8
0909094517	FAIRING SET ROW RIGHT	9
0909094518	FAIRING SET ROW LEFT	10
0909094079	FRAME	11
0909094519	FOLLOWER SIDE PROTECTION 3250	12
0909094520	FOLLOWER SIDE PROTECTION 3700	13
0909094521	FOLLOWER SIDE PROTECTION 4150	14
0909094522	FOLLOWER SIDE PROTECTION 4600	15
0909094523	FOLLOWER SIDE PROTECTION 5050	16
0909094524	FOLLOWER SIDE PROTECTION 5500	17
0909094525	FOLLOWER SIDE PROTECTION 5550	18
0909094526	FOLLOWER SIDE PROTECTION 5950	19
0909094527	FOLLOWER SIDE PROTECTION 6050	20
0909094528	FOLLOWER SIDE PROTECTION 6400	21
0909094529	FOLLOWER SIDE PROTECTION 6600	22
0909094530	FOLLOWER SIDE PROTECTION 6850	23
0909094531	FOLLOWER SIDE PROTECTION 7550	24
0909094532	COUPLING (MF 3640/5650)ASSY	25
0909094533	COUPLING (MF 3640/5650)ASSY	26
0909094534	COUPLING (FORD NH TC 55/57)ASSY	27
0909094543	COUPLING (FORD NH4040/5050/8040/8055)ASSY	28
0909094535	COUPLING (FORD NH TC E CR)ASSY	29
0909094536	COUPLING (CASE)ASSY	30
0909094537	COUPLING (JOHN DEERE)ASSY	31
0909094538	COUPLING (JOHN DEERE STS)ASSY	32
0909094539	COUPLING (VALTRA - BC 6500/7500)ASSY	33
0909094540	COUPLING (VALTRA-VALMET 4500)ASSY	34
0501059170	DRIVE SHAFT	35
0909094074	LOWER TRANSMISSION	36
0909094075	UPPER TRANSMISSION	37
0909094541	SYSTEM LUBRICATION LOWER	38
0909094542	LUBRIFICATION SISTEM TOP	39
0511047824	DRIVE SHAFT	40
0501058840	DRIVE SHAFT	41

SEMIFINISHED FRAME



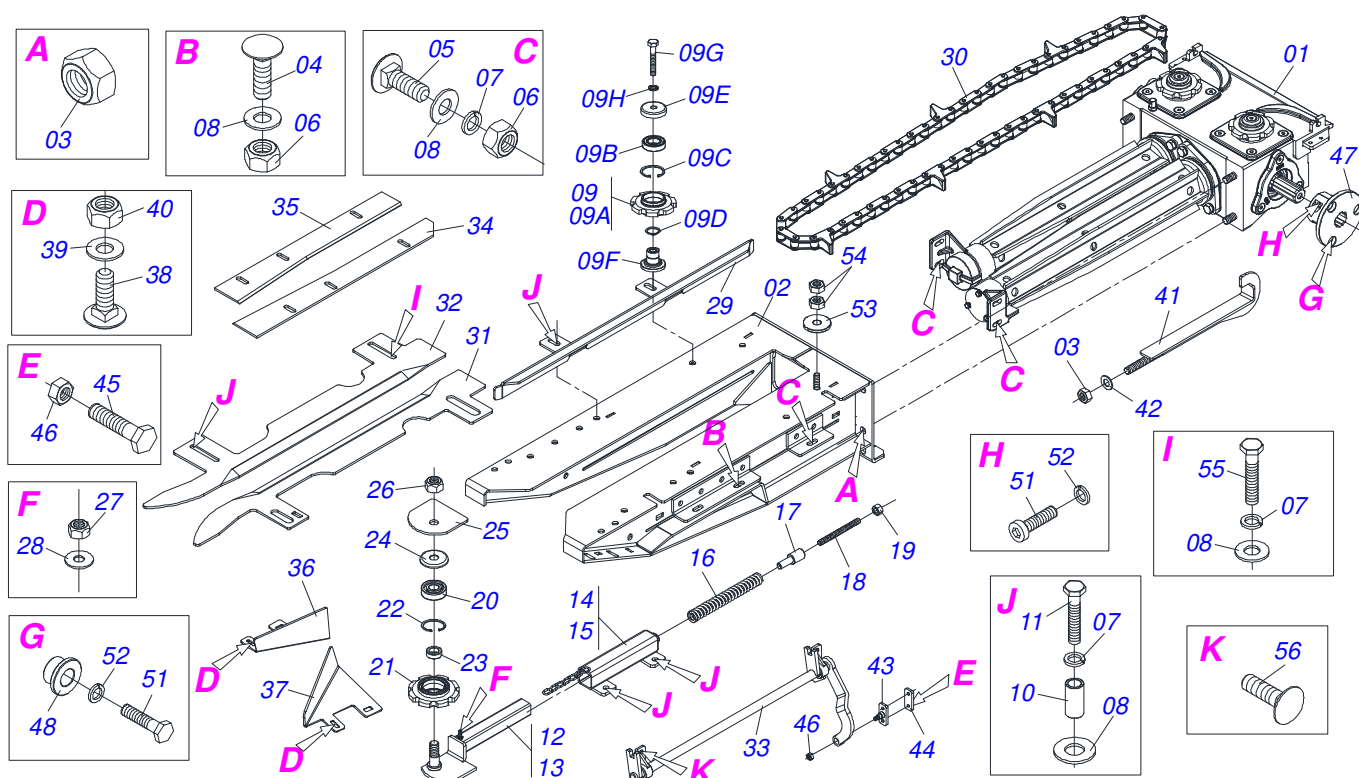
Item	Code	Description	See page	6050	6400	6600	6850	7550
01	0521062781	FRAME PMT 6050		01	00	00	00	00
02	0521062782	FRAME PMT 6400		00	01	00	00	00
03	0521062783	FRAME PMT 6600		00	00	01	00	00
04	0521062222	FRAME PMT 6850		00	00	00	01	00
05	0521062785	FRAME PMT 7550		00	00	00	00	01
06	0511050619	SEMI MOUNTED CENTRAL CORN LINE		06	07	08	09	10
07	0511050620	SEMIFINISHED CORN ROW		01	01	01	01	01
08	0511050621	LEFTSEMIFINISHED CORN ROW		01	01	01	01	01
09	0503061863	HELICAL CONDUCTOR		01	00	00	00	00
10	0503061821	HELICAL CONDUCTOR		00	01	00	00	00
11	0503061844	HELICAL CONDUCTOR		00	00	01	00	00
12	0503061771	HELICAL CONDUCTOR		00	00	00	01	00
13	0503061845	HELICAL CONDUCTOR		00	00	00	00	01
14	0561014306	HELICAL SPRING PROTECTION		02	02	02	00	00
15	0561014324	HELICAL SPRING PROTECTION		00	00	00	02	02
16	0511052142	MANUAL CANISTER ASSY		01	01	01	01	01
16A	0503060100	OPERATOR'S MANUAL STORAGE TUBE		01	01	01	01	01
16B	0541016866	CLOAK MANUAL FIXER L		01	01	01	01	01
16C	0501010324	3/8" X 1-1/4" BOLT		02	02	02	02	02
16D	0501010984	FLAT WASHER		01	01	01	01	01
16E	0503013357	3/8" SELF-ADJUSTING NUT		01	01	01	01	01
17	0561012643	25,40 X 12,70 X 2800 BAR		01	00	00	00	00
18	0561012815	25,4 X 12,70 X 3250 BAR		00	01	00	00	00
19	0561011838	25,40 X 12,70 4150 BAR		00	00	01	00	00
20	0561011837	25,40 X 12,70 X 4600 BAR		00	00	00	01	00
21	0561013449	25,40 X 12,70 X 5050 BAR		00	00	00	00	01
22	0503030168	CUPILLA		02	02	02	02	02
23	0521061014	PLOUGH SUPPORT		02	02	02	02	02
23A	0501011075	PIN		02	02	02	02	02
23B	0503030012	HAIR PIN		02	02	02	02	02
24	0521061227	REAR COVER		01	01	01	01	01



SEMIFINISHED FRAME

0909098834

Item	Code	Description	See page	6050	6400	6600	6850	7550
25	0521061228	REAR COVER		01	01	01	01	01
26	0561011128	PROTECTIVE COVER		01	01	01	01	01
27	0521060223	51Z GEAR		01	01	01	01	01
28	0561012760	CONDUTOR SUPPORT SLEEVE		02	02	02	02	02
29	0502012590	BEARING		02	02	02	02	02
30	0503015144	BEARING		02	02	02	02	02
31	0561011114	BEARING SUPPORT		02	02	02	02	02
32	0503010740	BOLT 1/2 UNC X 2 CS G.5 ZN		08	08	08	08	08
33	0503011336	1/2" HEX SELF ADJUSTING NUT		08	08	08	08	08
34	0511017302	FLAT WASHER		08	08	08	08	08
35	0521060315	CONTROL PUMP		01	01	01	01	01
36	0503011952	5/16" X 3/4" BOLT		03	03	03	03	03
37	0501010694	FLAT WASHER		03	03	03	03	03
38	0503010179	LOCK WASHER		03	03	03	03	03
39	0503013816	5/16" LOCKNUT		03	03	03	03	03
40	0521063712	CONTROL PUMP		01	01	01	01	01
41	0561012088	SLEVE FIXATION GEAR		01	01	01	01	01
42	0511019685	FLAT WASHER		06	06	06	06	06
43	0561010960	FLAT WASHER		01	01	01	01	01
44	0503015140	M12 X 1,75 X 30 BOLT		02	02	02	02	02
45	0503010019	1/2" SPRING WASHER		02	02	02	02	02



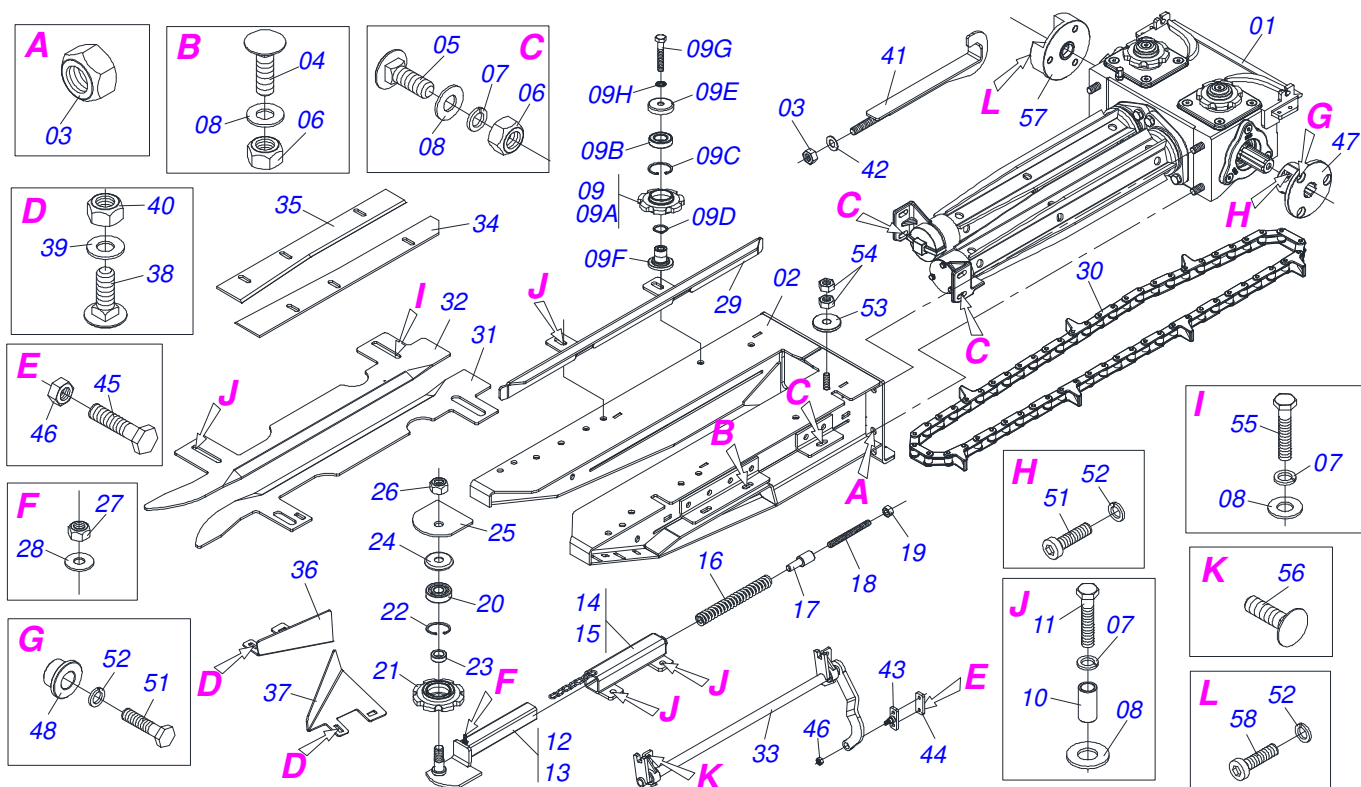
Item	Code	Description	See page	QT
00	0511050619	SEMI MOUNTED CENTRAL CORN LINE		01
01	0511050767	TRANSMISSION HUB		01
02	0521060123	FRONT FAIRING SUPPORT		01
03	0503015079	LOCK NUT		06
04	0503015328	M10 X 1,5 X 35 BOLT		04
05	0503015327	M10 X 1,5 X 30 BOLT		06
06	0503011841	M10 SELF ADJUSTING NUT		10
07	0503015076	M12 SPRING WASHER		14
08	0511017302	FLAT WASHER		18
09	0511051429	TENSIONER CHAIN		02
09A	0502012693	GEAR 7Z ESTIC LAT LINHA PMT		02
09B	0503011797	BEARING 6005 DDU		02
09C	0503011105	SEAL RING		02
09D	0503010406	501025 CLAMPING RING (FOR AXLE)		02
09E	0521018921	DUST CLOAK		02
09F	0571013848	TIGHTENER AXLE		02
09G	0503015102	M12 X 1,75 X 70 BOLT		02
09H	0503015076	M12 SPRING WASHER		02
10	0561010577	19 X 13,50 SLEEVE		07
11	0503015102	M12 X 1,75 X 70 BOLT		07
12	0521060140	RIGHT FRONT TENSIONER		01
13	0521060141	LEFT FRONT TENSIONER		01
14	0521060129	RIGHT GUIDE TIGHTENER		01
15	0521060128	LH GUIDE TIGHTENER		01
16	0503033041	COMPRESSION SPRING		02
17	0561012098	PIN 13,5 X 35 PMT		02
18	0521060237	CHAIN TENSIONER JACK		02
19	0503010060	1/2" NUT		02
20	0503015052	ROLLER BEARING 6304		02
21	0502012665	8Z GEAR		02
22	0503015081	502052 CLAMPING RING (FOR AXLE)		02



CORN CENTRAL LINE

0909094070

Item	Code	Description	See page	QT
23	0561010551	20 X 31,5 SLEEVE		02
24	0561011653	DUST CLOAK 55 X 4,5		02
25	0561010576	ALIGNMENT CHAIN		02
26	0503015084	M18 X 1,50 LOCKNUT		02
27	0503014540	M6 NUT		02
28	0503010305	FLAT WASHER		02
29	0561017636	GUIDE CHAIN		02
30	0503015031	CHAIN CA 2060H (7AUE) X 56 LINK		02
31	0561010574	LEFT THROTTLE		01
32	0561010575	RIGHT THROTTLE		01
33	0521060121	BLADE JOINT PIECE		01
34	0561010579	LEFT SCRAPER		01
35	0561010580	RIGHT SCRAPER		01
36	0561010537	RIGHT GUIDE ENTRANCE		01
37	0561012171	LEFT GUIDE ENTRANCE		01
38	0503011952	5/16" X 3/4" BOLT		04
39	0521011039	FLAT WASHER		04
40	0503013816	5/16" LOCKNUT		04
41	0521060120	BOX HITCH		02
42	0501010301	FLAT WASHER		02
43	0521060124	ADJUSTMENT BAR FIXER		01
44	0561010955	FIXER BODY CONTROL		01
45	0503015113	M10 X 1,5 X 45 BOLT		02
46	0503011841	M10 SELF ADJUSTING NUT		03
47	0502040837	COUPLING FLANGE		01
48	0561017155	SLEEVE		03
49	0503015348	3/8" BOLT		02
50	0503010025	3/8" SPRING WASHER		02
51	0503030676	ADHESIVE LABEL		03
52	0503010019	1/2" SPRING WASHER		03
53	0571013118	WASHER GUIDE		01
54	0503012254	M12 X 0.7" NUT		02
55	0503015140	M12 X 1,75 X 30 BOLT		01
56	0501011643	3/8 X 1"BOLT		04



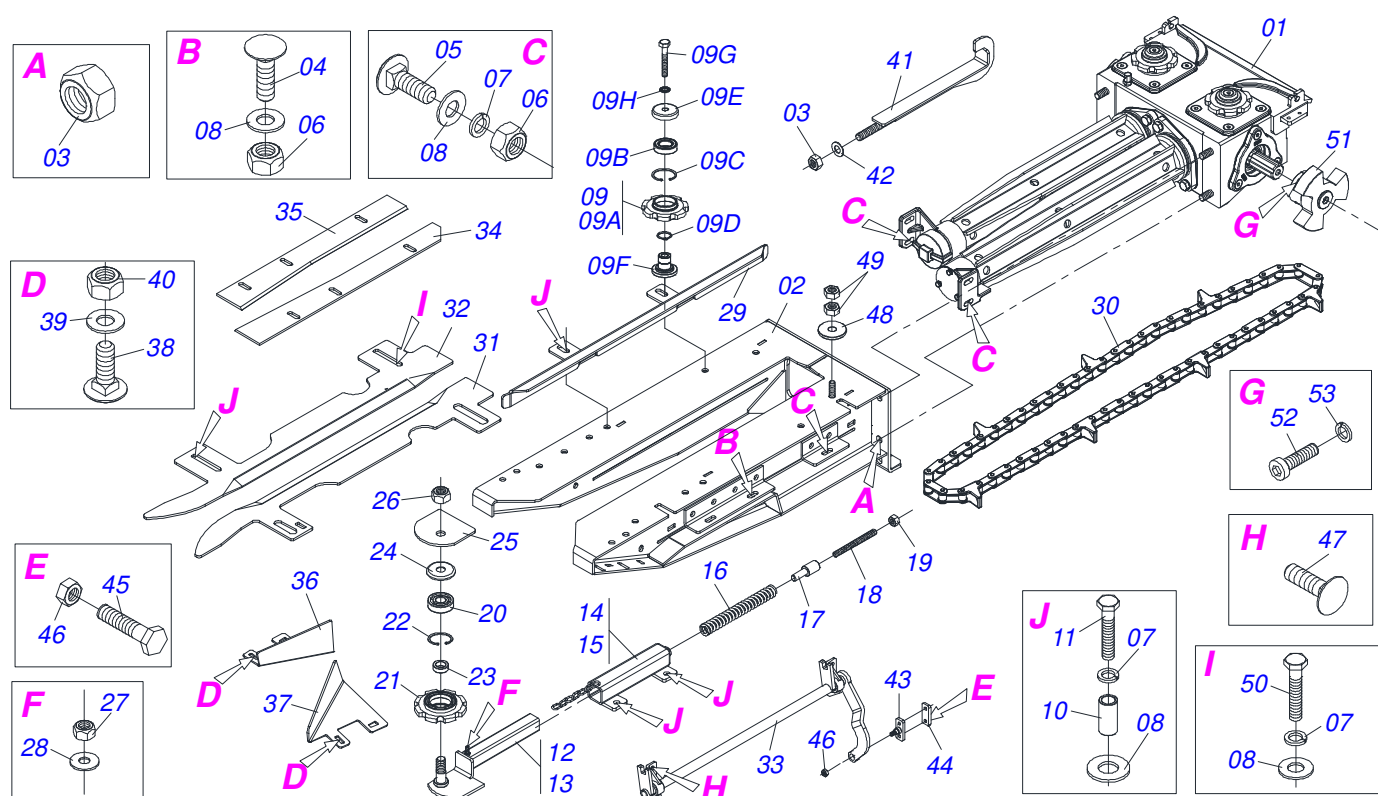
Item	Code	Description	See page	QT
00	0511050620	SEMIFINISHED CORN ROW		01
01	0511050767	TRANSMISSION HUB		01
02	0521060123	FRONT FAIRING SUPPORT		01
03	0503015079	LOCK NUT		06
04	0503015328	M10 X 1,5 X 35 BOLT		04
05	0503015327	M10 X 1,5 X 30 BOLT		06
06	0503011841	M10 SELF ADJUSTING NUT		10
07	0503015076	M12 SPRING WASHER		14
08	0511017302	FLAT WASHER		18
09	0511051429	TENSIONER CHAIN		02
09A	0502012693	GEAR 7Z ESTIC LAT LINHA PMT		02
09B	0503011797	BEARING 6005 DDU		02
09C	0503011105	SEAL RING		02
09D	0503010406	501025 CLAMPING RING (FOR AXLE)		02
09E	0521018921	DUST CLOAK		02
09F	0571013848	TIGHTENER AXLE		02
09G	0503015102	M12 X 1,75 X 70 BOLT		02
09H	0503015076	M12 SPRING WASHER		02
10	0561010577	19 X 13,50 SLEEVE		07
11	0503015102	M12 X 1,75 X 70 BOLT		07
12	0521060140	RIGHT FRONT TENSIONER		01
13	0521060141	LEFT FRONT TENSIONER		01
14	0521060129	RIGHT GUIDE TIGHTENER		01
15	0521060128	LH GUIDE TIGHTENER		01
16	0503033041	COMPRESSION SPRING		02
17	0561012098	PIN 13,5 X 35 PMT		02
18	0521060237	CHAIN TENSIONER JACK		02
19	0503010060	1/2" NUT		02
20	0503015052	ROLLER BEARING 6304		02
21	0502012665	8Z GEAR		02
22	0503015081	502052 CLAMPING RING (FOR AXLE)		02



RIGHT CORN ROW

0909094071

Item	Code	Description	See page	QT
23	0561010551	20 X 31,5 SLEEVE		02
24	0561011653	DUST CLOAK 55 X 4,5		02
25	0561010576	ALIGNMENT CHAIN		02
26	0503015084	M18 X 1,50 LOCKNUT		02
27	0503014540	M6 NUT		02
28	0503010305	FLAT WASHER		02
29	0561017636	GUIDE CHAIN		02
30	0503015031	CHAIN CA 2060H (7AUE) X 56 LINK		02
31	0561010574	LEFT THROTTLE		01
32	0561010575	RIGHT THROTTLE		01
33	0521060121	BLADE JOINT PIECE		01
34	0561010579	LEFT SCRAPER		01
35	0501010580	3/4 X 95MM PIN		01
36	0561010537	RIGHT GUIDE ENTRANCE		01
37	0561012171	LEFT GUIDE ENTRANCE		01
38	0503011952	5/16" X 3/4" BOLT		04
39	0521011039	FLAT WASHER		04
40	0503013816	5/16" LOCKNUT		04
41	0521060120	BOX HITCH		02
42	0501010301	FLAT WASHER		02
43	0521060124	ADJUSTMENT BAR FIXER		01
44	0561010955	FIXER BODY CONTROL		01
45	0503015113	M10 X 1,5 X 45 BOLT		02
46	0503011841	M10 SELF ADJUSTING NUT		03
47	0502040837	COUPLING FLANGE		01
48	0561017155	SLEEVE		03
49	0503015348	3/8" BOLT		02
50	0503010025	3/8" SPRING WASHER		02
51	0503030679	BOLT 1/2 UNC X 1.1/4 CSPC G.5 ZN		03
52	0503010019	1/2" SPRING WASHER		03
53	0571013118	WASHER GUIDE		01
54	0503012254	M12 X 0.7" NUT		02
55	0503015140	M12 X 1,75 X 30 BOLT		01
56	0501011643	3/8 X 1"BOLT		04
57	0502040839	BODY DRAG BOX RIGHT		01
58	0503010562	1/2" X 1" BOLT		03



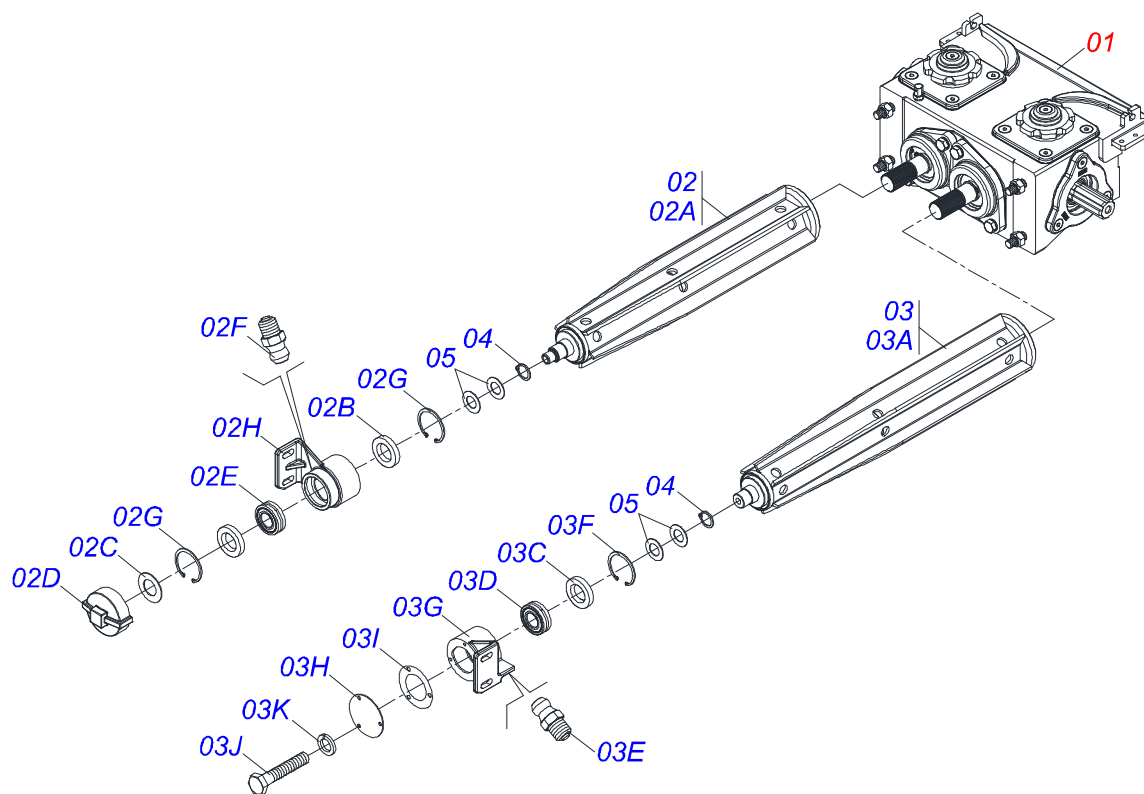
Item	Code	Description	See page	QT
00	0511050621	LEFTSEMI FINISHED CORN ROW		01
01	0511050767	TRANSMISSION HUB		01
02	0521060123	FRONT FAIRING SUPPORT		01
03	0503015079	LOCK NUT		06
04	0503015328	M10 X 1,5 X 35 BOLT		04
05	0503015327	M10 X 1,5 X 30 BOLT		06
06	0503011841	M10 SELF ADJUSTING NUT		10
07	0503015076	M12 SPRING WASHER		14
08	0511017302	FLAT WASHER		18
09	0511051429	TENSIONER CHAIN		02
09A	0502012693	GEAR 7Z ESTIC LAT LINHA PMT		02
09B	0503011797	BEARING 6005 DDU		02
09C	0503011105	SEAL RING		02
09D	0503010406	501025 CLAMPING RING (FOR AXLE)		02
09E	0521018921	DUST CLOAK		02
09F	0571013848	TIGHTENER AXLE		02
09G	0503015102	M12 X 1,75 X 70 BOLT		02
09H	0503015076	M12 SPRING WASHER		02
10	0561010577	19 X 13,50 SLEEVE		07
11	0503015102	M12 X 1,75 X 70 BOLT		07
12	0521060140	RIGHT FRONT TENSIONER		01
13	0521060141	LEFT FRONT TENSIONER		01
14	0521060129	RIGHT GUIDE TIGHTENER		01
15	0521060128	LH GUIDE TIGHTENER		01
16	0503033041	COMPRESSION SPRING		02
17	0561012098	PIN 13,5 X 35 PMT		02
18	0521060237	CHAIN TENSIONER JACK		02
19	0503010060	1/2" NUT		02
20	0503015052	ROLLER BEARING 6304		02
21	0502012665	8Z GEAR		02
22	0503015081	502052 CLAMPING RING (FOR AXLE)		02



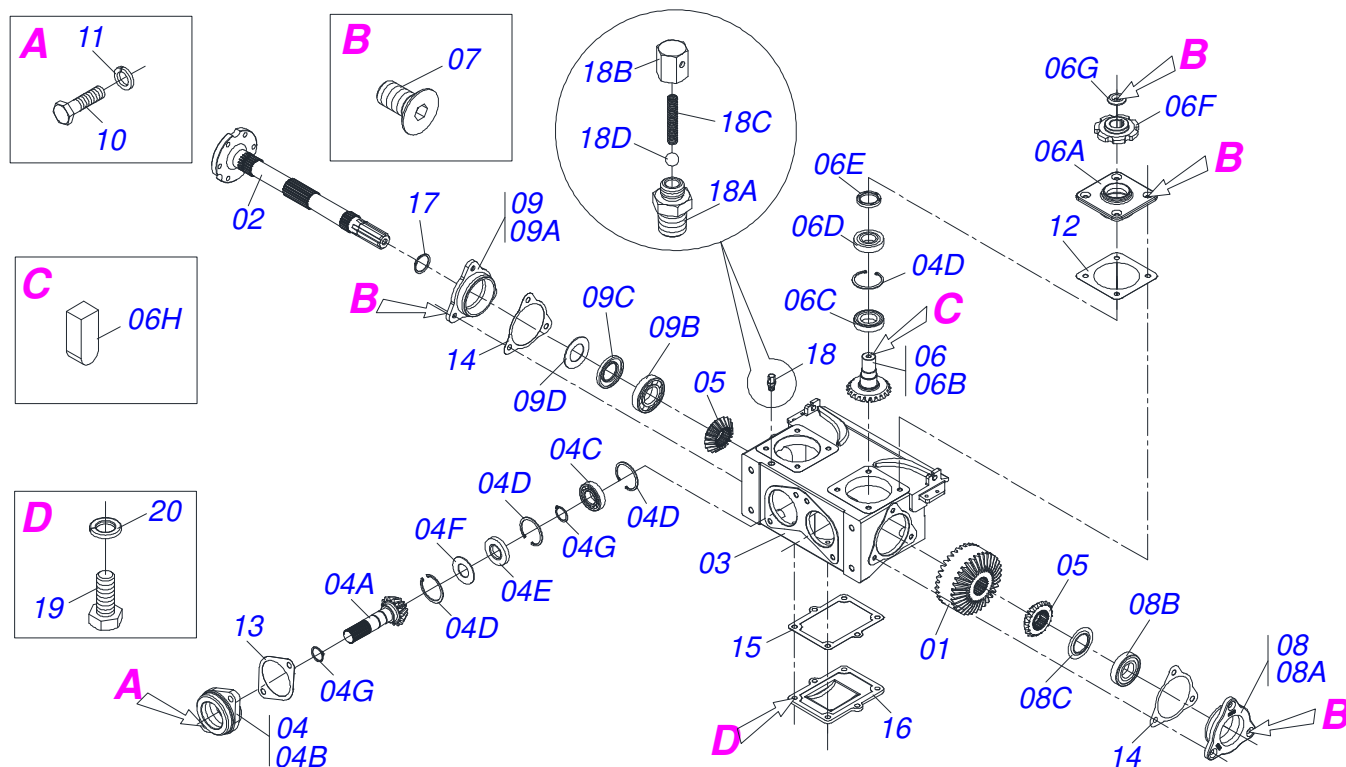
LEFT CORN ROW

0909094072

Item	Code	Description	See page	QT
23	0561010551	20 X 31,5 SLEEVE		02
24	0561011653	DUST CLOAK 55 X 4,5		02
25	0561010576	ALIGNMENT CHAIN		02
26	0503015084	M18 X 1,50 LOCKNUT		02
27	0503014540	M6 NUT		02
28	0503010305	FLAT WASHER		02
29	0561017636	GUIDE CHAIN		02
30	0503015031	CHAIN CA 2060H (7AUE) X 56 LINK		02
31	0561010574	LEFT THROTTLE		01
32	0561010575	RIGHT THROTTLE		01
33	0521060121	BLADE JOINT PIECE		01
34	0561010579	LEFT SCRAPER		01
35	0561010580	RIGHT SCRAPER		01
36	0561010537	RIGHT GUIDE ENTRANCE		01
37	0561012171	LEFT GUIDE ENTRANCE		01
38	0503011952	5/16" X 3/4" BOLT		04
39	0521011039	FLAT WASHER		04
40	0503013816	5/16" LOCKNUT		04
41	0521060120	BOX HITCH		02
42	0501010301	FLAT WASHER		02
43	0521060124	ADJUSTMENT BAR FIXER		01
44	0561010955	FIXER BODY CONTROL		01
45	0503015113	M10 X 1,5 X 45 BOLT		02
46	0503011841	M10 SELF ADJUSTING NUT		03
47	0501011643	3/8 X 1"BOLT		04
48	0571013118	WASHER GUIDE		01
49	0503012254	M12 X 0.7" NUT		02
50	0503015140	M12 X 1,75 X 30 BOLT		01
51	0521063714	BOX FOLLOWER		01
52	0503015348	3/8" BOLT		02
53	0503010025	3/8" SPRING WASHER		02



Item	Code	Description	See page	QT
00	0511050767	TRANSMISSION HUB		01
01	0909094068	BOX ASSY	7	01
02	0511057165	RIGHT COLLECTION ROLLER RIGHT WITH FULL MANCAL		01
02A	0521061834	ROLLER PICKUP RIGHT SMALLER		01
02B	0503015038	SEAL 00503		01
02C	0561011883	FLAT WASHER		01
02D	0502040804	DIRECTOR		01
02E	0503015039	BALL BEARING		01
02F	0503010691	1/4" GREASE FITTING		01
02G	0503015082	502056 CLAMPING RING (FOR AXLE)		02
02H	0502012559	RH FRONT BEARING		01
03	0511057166	LARGER LEFT ROLLER WITH FULL MANCAL		01
03A	0521061835	LEFT ROLLER ROLLER GREATER		01
03B	0503033057	RH BEARING JOINT		01
03C	0503015038	SEAL 00503		02
03D	0503015039	BALL BEARING		01
03E	0503010691	1/4" GREASE FITTING		01
03F	0503015082	502056 CLAMPING RING (FOR AXLE)		01
03G	0502012560	LH FRONT BEARING		01
03H	0561010944	BEARING COVER		01
03I	0503033057	RH BEARING JOINT		01
03J	0503011378	M6X1X16 C S 8.8 ZN BOLT		03
03K	0503015110	M06 SPRING WASHER		03
04	0503010174	501028 CLAMPING RING (FOR AXLE)		02
05	0511015098	FLAT WASHER		04



Item	Code	Description	See page	QT
00	0511050111	BOX ASSY PMT S-1010		01
01	0561016783	DOUBLE GEAR		01
02	0561016528	CENTRAL AXLE		01
03	0502012656	PMT S-1010 BOX		01
04	0511050109	BEARING FULL FRONTAL		02
04A	0561016782	PINION CONICAL ROLL		02
04B	0502012657	FRONT ROLLER BEARING		02
04C	0503016064	BEARING		02
04D	0503011800	SEAL RING		08
04E	0503015903	SEAL		02
04F	0561016789	FLAT WASHER		02
04G	0503010707	501030 CLAMPING RING (FOR AXLE)		04
05	0561016784	19Z CONICAL GEAR CURRENT		02
06	0511050103	BEARING FULL TOP		02
06A	0502012654	TOP BEARING CASE		02
06B	0561016785	PINION CONICAL 22Z M4 CHAIN		02
06C	0503016065	ROLLER BEARING		02
06D	0503016063	ROLLER BEARING		02
06E	0503015901	SEAL		02
06F	0502012653	07Z GEAR		02
06G	0561016792	LOCK WASHER		02
06H	0503015902	8,0 X 7,0 X 20 KEYWAY		02
07	0503015046	M10 X 1,50 X 20 BOLT		16
08	0511050107	BEARING LEFT SIDE		014
08A	0502012655	BEARING LEFT SIDE		01
08B	0503016061	BEARING		01
08C	0503016077	SEAL RING		01
09	0511050108	BEARING RIGHT SIDE		01
09A	0502012640	BEARING SIDE BOX		01
09B	0503016062	BEARING		01
09C	0503015900	SEAL		01



BOX ASSY

0909094068

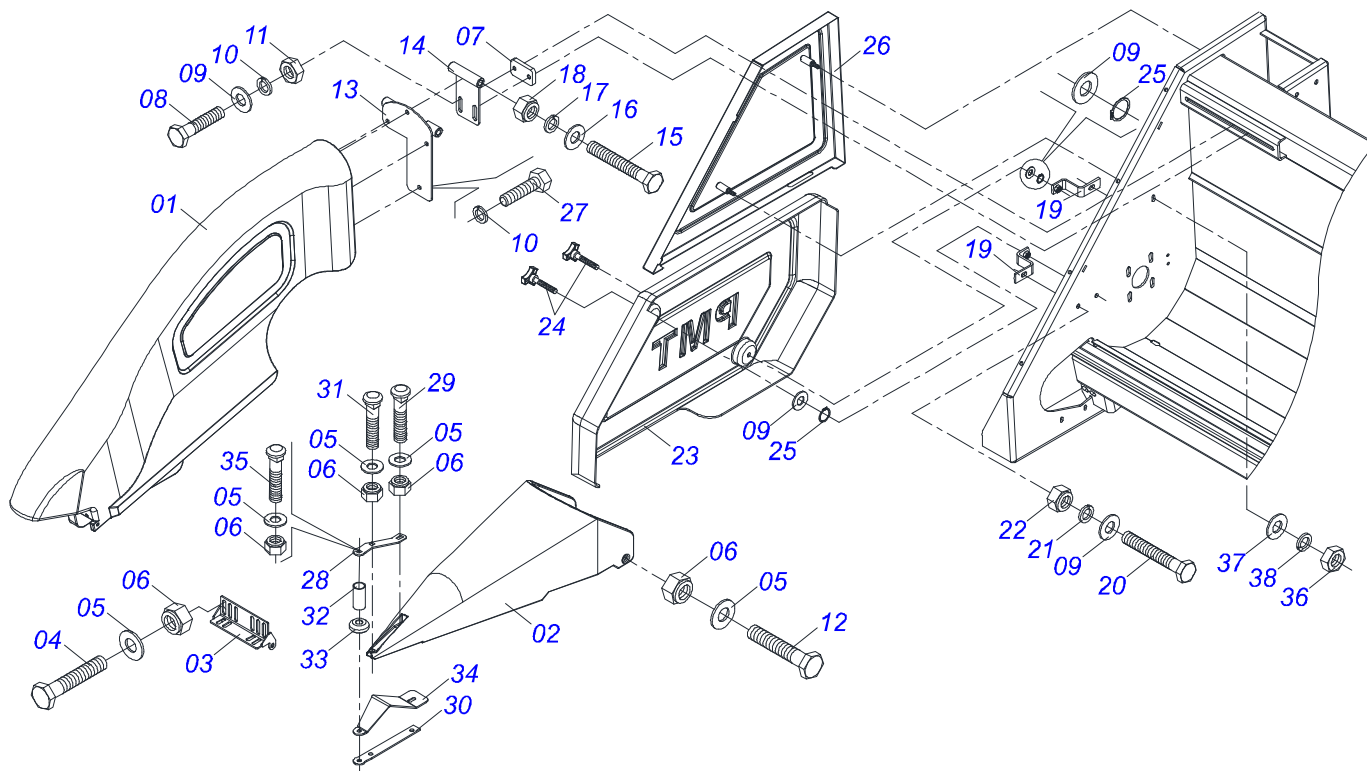
Item	Code	Description	See page	QT
09D	0561016790	FLAT WASHER		01
10	0503010428	M12 X 1,75 X30 BOLT		04
11	0503015076	M12 SPRING WASHER		04
12	0503033348	BOARD TOP BEARING		10
13	0503033347	GASKET		04
14	0503033346	SIDE JOINT BEARING		10
15	0503033349	BOX COVER JOINT SEALING		01
16	0502012558	COUVERTURE CASH ROW PLATEFORME CORN		01
17	0503010217	501040 CLAMPING RING (FOR AXLE)		01
18	0511050190	BREATHE 1/4 BSPT		01
18A	0561016895	HOLE BODY		01
18B	0561016896	BREATHER CAP		01
18C	0503030051	0.2" X 1" X 0.1" COMPRESSION SPRING		01
18D	0503015121	6 MM BALL		01
19	0503010172	M10 X 1,5 X 25 BOLT		06
20	0503015075	M10 SPRING WASHER		06



FAIRING SET ROW CENTER

0909094516

Item	Code	Description	See page	450	500	550	600	650	700	750	800	900
23D	0561011038	POINT MIDDLEMAN SUPPORT		01	01	01	01	01	01	01	01	01
23E	0503011762	SCREW 5/16UNC X 1.1/4 CAPQ G.2 ZN		01	01	01	01	01	01	01	01	01
23F	0561011952	10 X 13 X 16 SLEEVE		01	01	01	01	01	01	01	01	01
23G	0561010963	ROTATIVE NUT		01	01	01	01	01	01	01	01	01
23H	0561011037	POINT STITCH		01	01	01	01	01	01	01	01	01
23I	0503012163	5/16" X 1-1/2" BOLT		01	01	01	01	01	01	01	01	01
23J	0501010694	FLAT WASHER		01	01	01	01	01	01	01	01	01
23K	0503013816	5/16" LOCKNUT		01	01	01	01	01	01	01	01	01
24	0501058879	FRONT WITH PULLEY		00	00	01	01	00	00	00	00	00
24A	0503033099	ROW 55-60 FRONT FAIRING		00	00	01	01	00	00	00	00	00
25	0501058880	FRONT WITH PULLEY		00	00	00	00	01	01	00	00	00
25A	0503033100	ROW 65-70 FRONT FAIRING		00	00	00	00	01	01	00	00	00
26	0501058881	FRONT WITH PULLEY		00	00	00	00	00	00	01	01	00
26A	0503033101	ROW 75-80 FRONT FAIRING		00	00	00	00	00	00	01	01	00
27	0501058882	FRONT WITH PULLEY		00	00	00	00	00	00	00	00	01
27A	0503033102	ROW 85-90 FRONT FAIRING		00	00	00	00	00	00	00	00	01
28	0503010882	BOLT		04	04	04	04	04	04	04	04	04
29	0561012142	FRONT FAIRING SUPPORT		00	00	00	00	00	00	01	00	00
30	0561012164	FRONT FAIRING SUPPORT		00	00	00	00	00	01	00	00	00



Item	Code	Description	See page	QT
00	0511051842	ROW RIGHT FAIRING SET		01
01	0503050086	FRONT SIDE FAIRING		01
02	0503033529	FRONT RIGHT FAIRING		01
03	0521062990	SUPPORT SIDE FAIRING		01
04	0503010675	5/16" X 2.1/4" BOLT		02
05	0501010694	FLAT WASHER		12
06	0503013816	5/16" LOCKNUT		12
07	0571010831	FIXER SUPPORT		01
08	0503010920	1/2" X 1.1/2" BOLT		02
09	0511017302	FLAT WASHER		10
10	0503010019	1/2" SPRING WASHER		10
11	0503010060	1/2" NUT		02
12	0503010882	BOLT		02
13	0521062760	ARTICULATING FAIRING		01
14	0521062759	ARTICULATING FAIRING		01
15	0521062973	5/8" X 245" BOLT		01
16	0501012140	FLAT WASHER		01
17	0503010027	5/8" SPRING WASHER		01
18	0503010013	5/8" NUT		01
19	0521062762	FIXER COVER SIDE		02
20	0503010920	1/2" X 1.1/2" BOLT		02
21	0503015076	M12 SPRING WASHER		02
22	0503014523	1/2 LOCKNUT		02
23	0503033569	PROTECTION COVER SIDE RIGHT		01
24	0503033682	KNOB 3P K3 60A M12 X 40		02
25	0503010291	501012 CLAMPING RING (FOR AXLE)		02
26	0521062786	PROTECTION SIDE SUPPORT RIGHT		01
27	0503010395	1/2" X 1-1/4" BOLT		04
28	0561011039	FIXER UPPER SPOUT		01
29	0503015175	5/16 UNC X 2.3/4 UNC BOLT		01
30	0561011038	POINT MIDDLEMAN SUPPORT		01

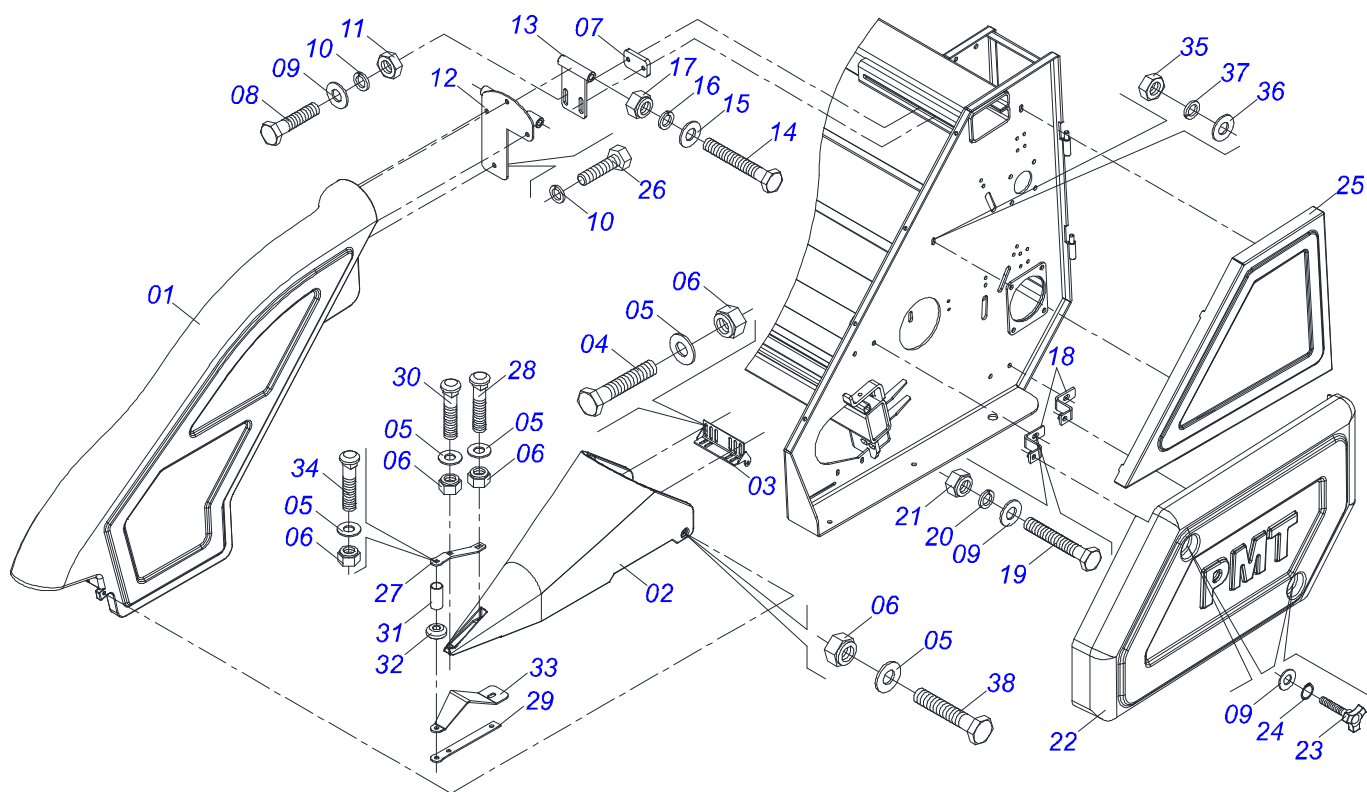


FAIRING SET ROW RIGHT

0909094517

Item	Code	Description	See page	QT
31	0503011762	SCREW 5/16UNC X 1.1/4 CAPQ G.2 ZN		01
32	0561011952	10 X 13 X 16 SLEEVE		01
33	0561010963	ROTATIVE NUT		01
34	0561011037	POINT STITCH		01
35	0503012163	5/16" X 1-1/2" BOLT		01
36	0503010026	3/8" NUT		02
37	0501010984	FLAT WASHER		02
38	0503010025	3/8" SPRING WASHER		02

FAIRING SET ROW LEFT



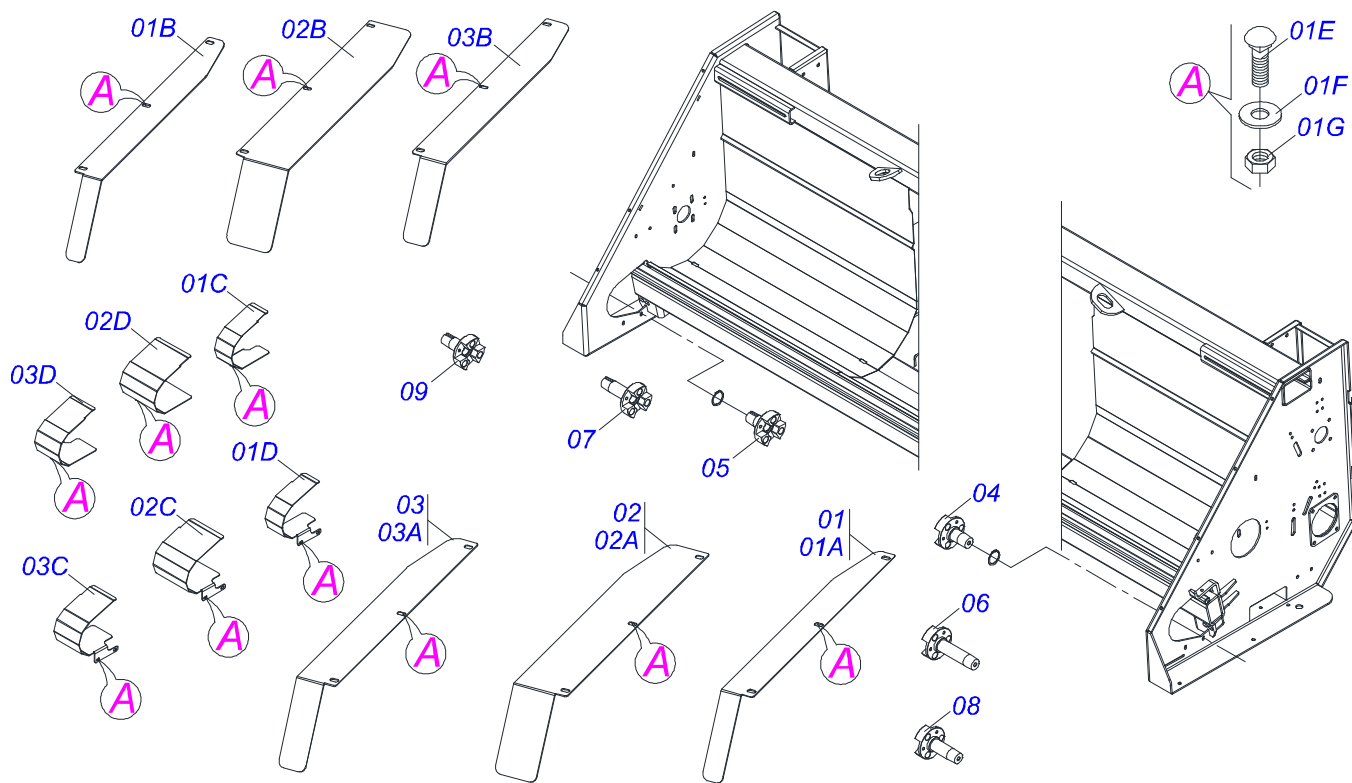
Item	Code	Description	See page	QT
00	0511053185	ROW LEFT FAIRING SET PMT 3250/3700 S-0112		01
01	0503050085	SIDE LEFT FAIRING		01
02	0503033571	FRONT LEFT FAIRING		01
03	0521062990	SUPPORT SIDE FAIRING		01
04	0503010421	5/16" X 1-1/2" BOLT		02
05	0501010694	FLAT WASHER		07
06	0503013816	5/16" LOCKNUT		02
07	0571010831	FIXER SUPPORT		01
08	0503014007	1/2" X 1-1/4" BOLT		02
09	0511017302	FLAT WASHER		06
10	0503010019	1/2" SPRING WASHER		06
11	0503010060	1/2" NUT		02
12	0521062761	ARTICULATING FAIRING		01
13	0521062759	ARTICULATING FAIRING		01
14	0521062973	5/8" X 245" BOLT		01
15	0501012140	FLAT WASHER		01
16	0503010027	5/8" SPRING WASHER		01
17	0503012412	5/8 UNC SELF LOCKING NUT		01
18	0521062762	FIXER COVER SIDE		02
19	0503010920	1/2" X 1.1/2" BOLT		02
20	0503015076	M12 SPRING WASHER		02
21	0503014523	1/2 LOCKNUT		02
22	0503033570	PROTECTION COVER SIDE LEFT		01
23	0503033682	KNOB 3P K3 60A M12 X 40		02
24	0503010291	501012 CLAMPING RING (FOR AXLE)		02
25	0521064044	PROTECTION SIDE SUPPORT LEFT		01
26	0503010395	1/2" X 1-1/4" BOLT		04
27	0561011039	FIXER UPPER SPOUT		01
28	0503015175	5/16 UNC X 2.3/4 UNC BOLT		01
29	0561011038	POINT MIDDLEMAN SUPPORT		01
30	0503011762	SCREW 5/16UNC X 1.1/4 CAPQ G.2 ZN		01



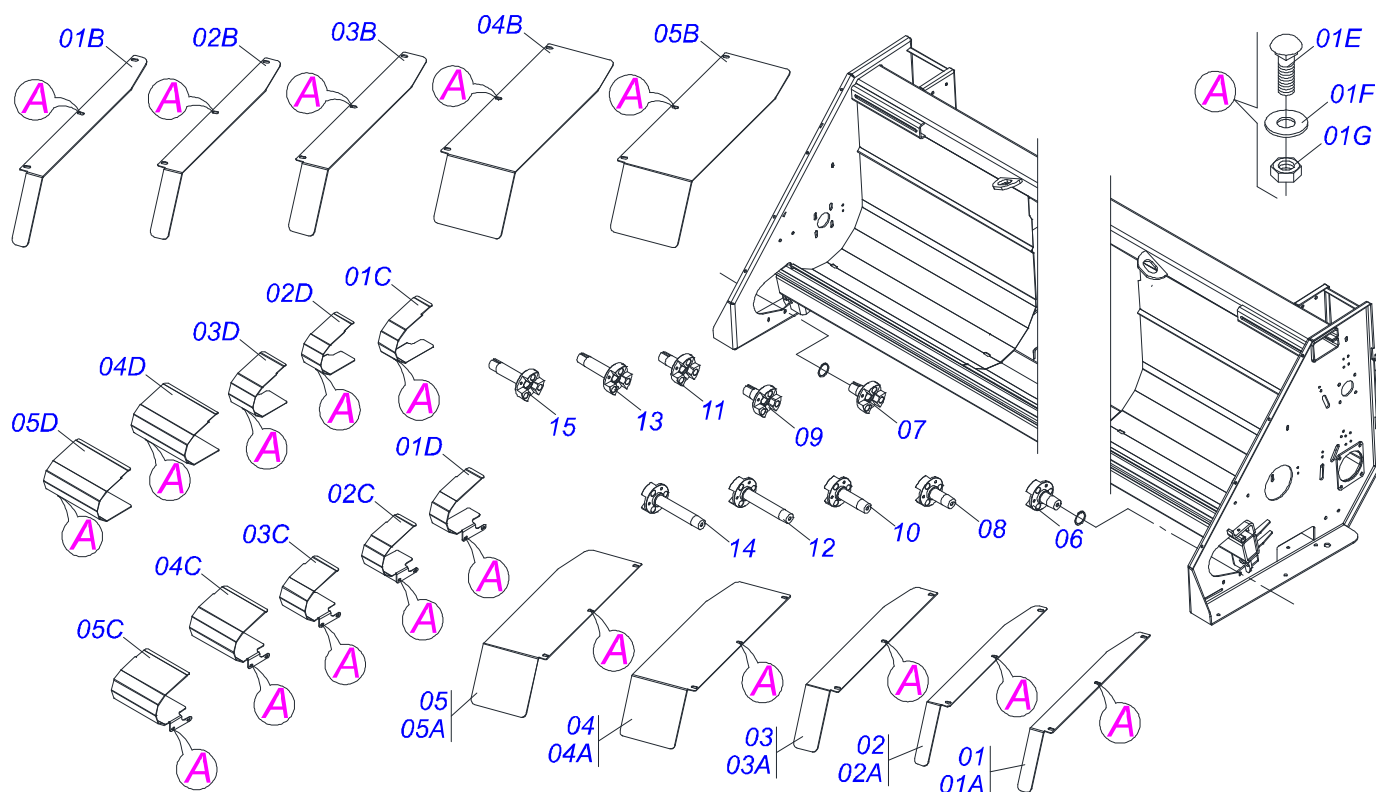
FAIRING SET ROW LEFT

0909094518

Item	Code	Description	See page	QT
31	0561011952	10 X 13 X 16 SLEEVE		01
32	0561010963	ROTATIVE NUT		01
33	0561011037	POINT STITCH		01
34	0503012163	5/16" X 1-1/2" BOLT		01
35	0503010026	3/8" NUT		02
36	0501010984	FLAT WASHER		02
37	0503010025	3/8" SPRING WASHER		02
38	0503010882	BOLT		02



Item	Code	Description	See page	7/450	5/600	5/650	4/800	4/900
01	0511052825	PROTECTION SIDE FINISHING		01	00	00	00	01
01A	0571013033	FINISHING THE LEFT SIDE FAIRING (50 PMT)		01	00	00	00	01
01B	0571013032	FINISHING THE RIGHT SIDE FAIRING (50 PMT)		01	00	00	00	01
01C	0571013251	PROTECTION COUPLING SIDE RIGHT		01	00	00	00	01
01D	0571013250	PROTECTION COUPLING SIDE LEFT		01	00	00	00	01
01E	0501011643	3/8 X 1" BOLT		10	10	10	10	10
01F	0501010984	FLAT WASHER		10	10	10	10	10
01G	0503013357	3/8" SELF-ADJUSTING NUT		10	10	10	10	10
02	0511052832	PROTECTION SIDE FINISHING		00	01	00	01	00
02A	0571012898	FINISHING THE LEFT SIDE FAIRING (200 PMT)		00	01	00	01	00
02B	0571012897	FINISHING THE RIGHT SIDE FAIRING (200 PMT)		00	01	00	01	00
02C	0571013275	PROTECTION COUPLING SIDE LEFT		00	01	00	01	00
02D	0571013274	PROTECTION COUPLING SIDE RIGHT		00	01	00	01	00
03	0511052828	PROTECTION SIDE FINISHING 100 PMT		00	00	01	00	00
03A	0571012906	FINISHING THE LEFT SIDE FAIRING (100 PMT)		00	00	01	00	00
03B	0571012905	FINISHING THE RIGHT SIDE FAIRING (100 PMT)		00	00	01	00	00
03C	0571013267	PROTECTION COUPLING SIDE LEFT		00	00	01	00	00
03D	0571013266	PROTECTION COUPLING SIDE RIGHT		00	00	01	00	00
04	0521063685	50 LH SIDE FOLLOWER		01	00	00	00	01
05	0521063684	50 RH SIDE FOLLOWER		01	00	00	00	01
06	0521063708	200 LH SIDE FOLLOWER		00	01	00	01	00
07	0521063704	200 RH SIDE FOLLOWER		00	01	00	01	00
08	0521063689	100 LH SIDE FOLLOWER		00	00	01	00	00
09	0521062794	100 RH SIDE FOLLOWER		00	00	01	00	00



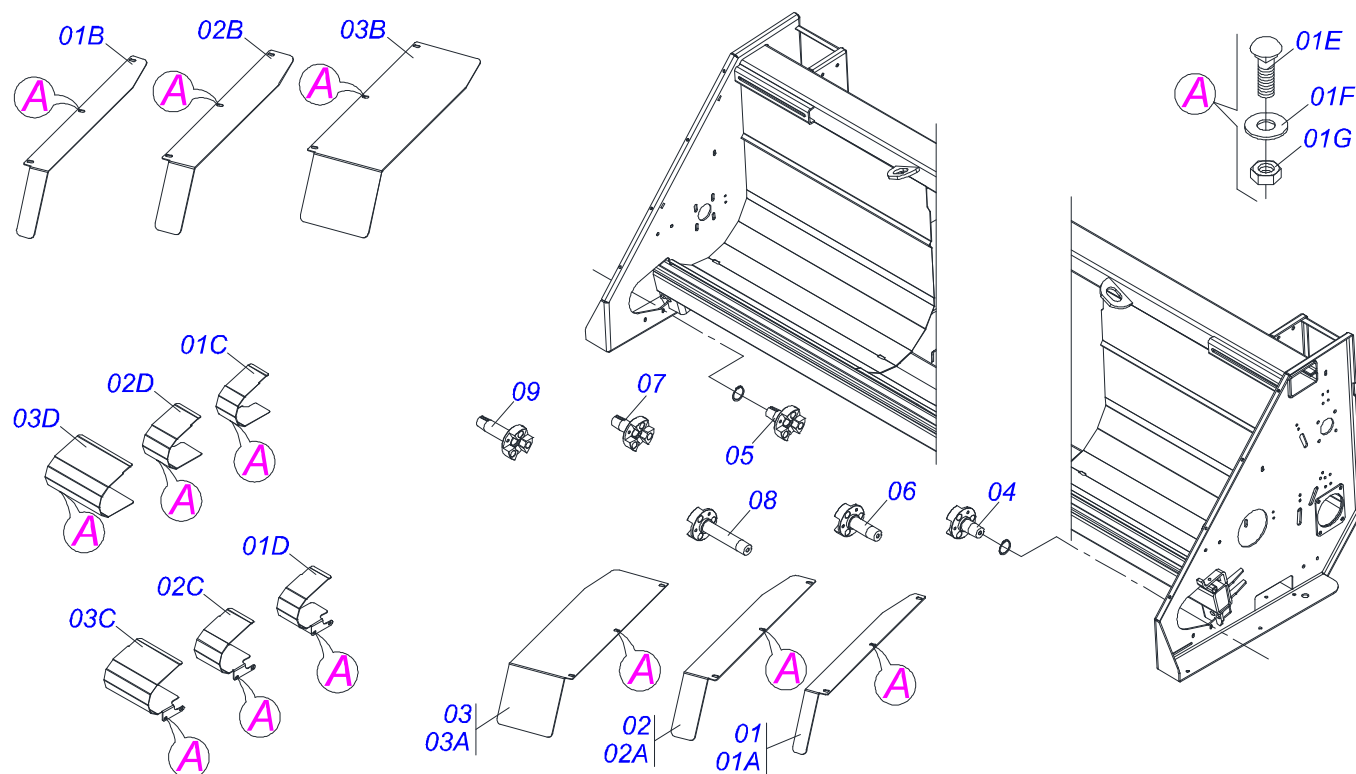
Item	Code	Description	See page	8/450	6/600	5/700	5/800	4/900
01	0511052825	PROTECTION SIDE FINISHING		01	00	00	00	00
01A	0571013033	FINISHING THE LEFT SIDE FAIRING (50 PMT)		01	00	00	00	00
01B	0571013032	FINISHING THE RIGHT SIDE FAIRING (50 PMT)		01	00	00	00	00
01C	0571013251	PROTECTION COUPLING SIDE RIGHT		01	00	00	00	00
01D	0571013250	PROTECTION COUPLING SIDE LEFT		01	00	00	00	00
01E	0501011643	3/8 X 1" BOLT		10	10	10	10	10
01F	0501010984	FLAT WASHER		10	10	10	10	10
01G	0503013357	3/8" SELF-ADJUSTING NUT		10	10	10	10	10
02	0511052829	PROTECTION SIDE FINISHING		00	01	00	01	00
02A	0571012904	FINISHING THE LEFT SIDE FAIRING (125 PMT)		00	01	00	01	00
02B	0571012903	FINISHING THE RIGHT SIDE FAIRING (125 PMT)		00	01	00	01	00
02C	0571013269	PROTECTION COUPLING SIDE LEFT		00	01	00	01	01
02D	0571013268	PROTECTION COUPLING SIDE RIGHT		00	01	00	01	00
03	0511052833	PROTECTION SIDE FINISHING 225 PMT		00	00	01	00	00
03A	0571012896	FINISHING THE LEFT SIDE FAIRING (225 PMT)		00	00	01	00	00
03B	0571012895	FINISHING THE RIGHT SIDE FAIRING (225 PMT)		00	00	01	00	00
03C	0571013277	PROTECTION COUPLING SIDE LEFT		00	00	01	00	00
03D	0571013276	PROTECTION COUPLING SIDE RIGHT		00	00	01	00	00
04	0511052834	PROTECTION SIDE FINISHING 250 PMT		00	00	00	01	00
04A	0571012894	FINISHING THE LEFT SIDE FAIRING (250 PMT)		00	00	00	01	00
04B	0571012893	FINISHING THE RIGHT SIDE FAIRING (250 PMT)		00	00	00	01	00
04C	0571013279	PROTECTION COUPLING SIDE LEFT		00	00	00	01	00
04D	0571013278	PROTECTION COUPLING SIDE RIGHT		00	00	00	01	00
05	0511052835	PROTECTION SIDE FINISHING 275 PMT		00	00	00	00	01
05A	0571012892	FINISHING THE LEFT SIDE FAIRING (275 PMT)		00	00	00	00	01
05B	0571012891	FINISHING THE RIGHT SIDE FAIRING (275 PMT)		00	00	00	00	01
05C	0571013281	PROTECTION COUPLING SIDE LEFT		00	00	00	00	01
05D	0571013280	PROTECTION COUPLING SIDE RIGHT		00	00	00	00	01
06	0521063685	50 LH SIDE FOLLOWER		01	00	00	00	00
07	0521063684	50 RH SIDE FOLLOWER		01	00	00	00	00
08	0521063691	125 LH SIDE FOLLOWER		00	01	00	00	00



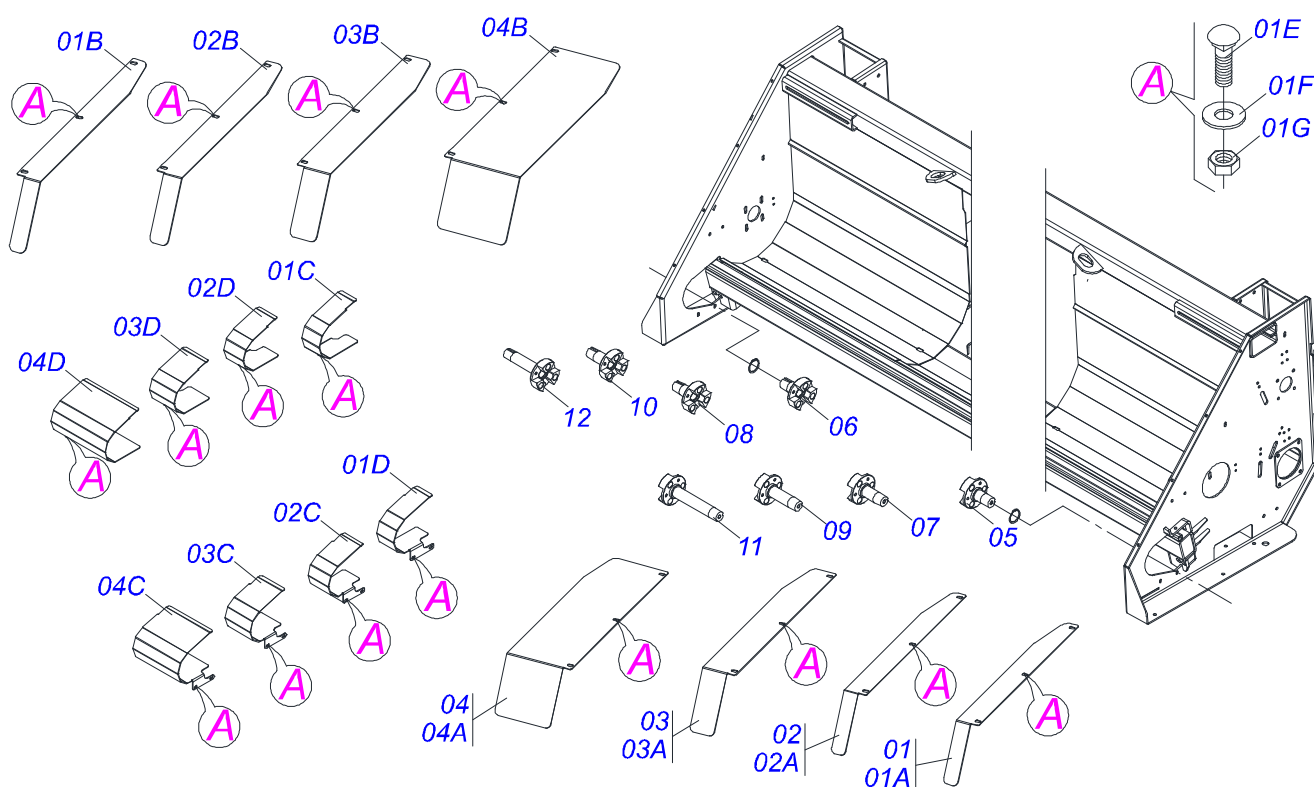
FOLLOWER SIDE PROTECTION 3700

0909094520

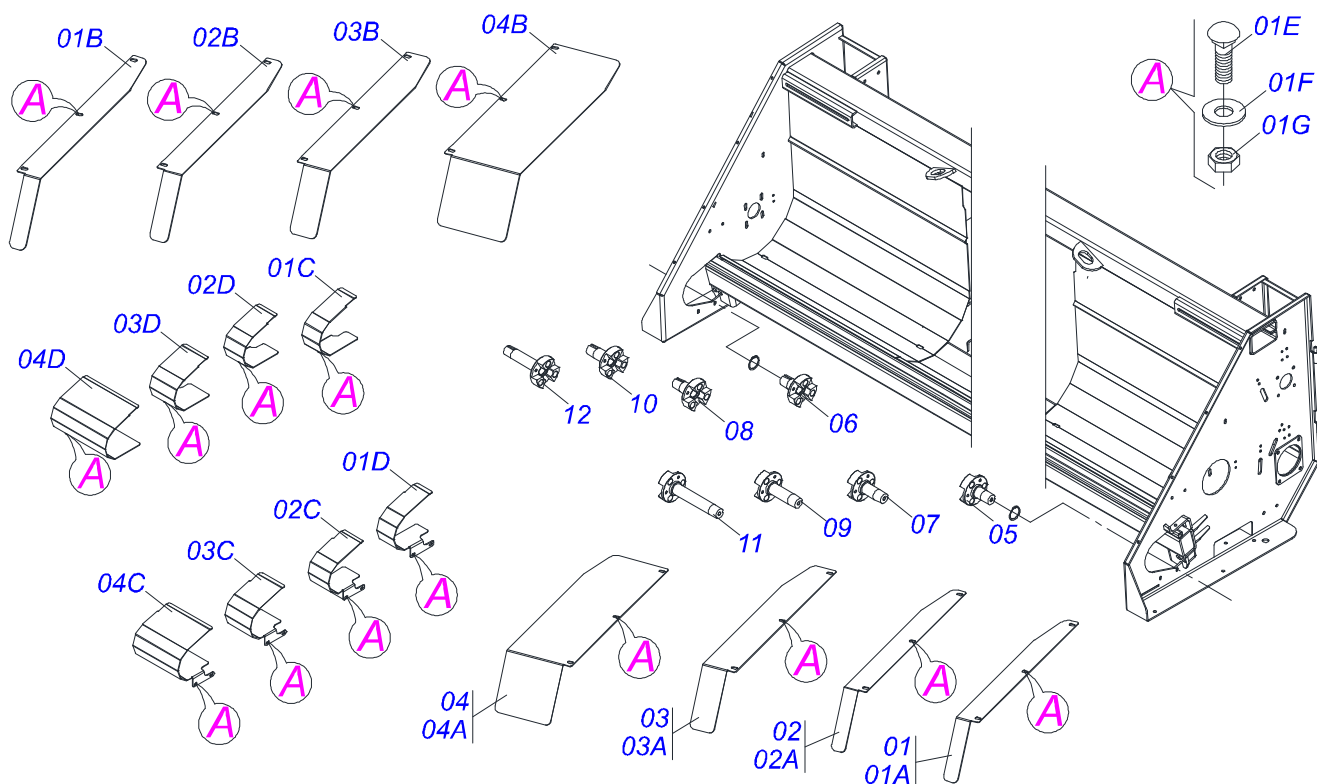
Item	Code	Description	See page	8/450	6/600	5/700	5/800	4/900
09	0521063691	125 LH SIDE FOLLOWER		00	01	00	00	00
10	0521063699	225 LH SIDE FOLLOWER		00	00	01	00	00
11	0521063698	225 RH SIDE FOLLOWER		00	00	01	00	00
12	0521063697	250 LH SIDE FOLLOWER		00	00	00	01	00
13	0521063696	250 RH SIDE FOLLOWER		00	00	00	01	00
14	0521063701	275 LH SIDE FOLLOWER		00	00	00	00	01
15	0521063721	275 RH SIDE FOLLOWER		00	00	00	00	01



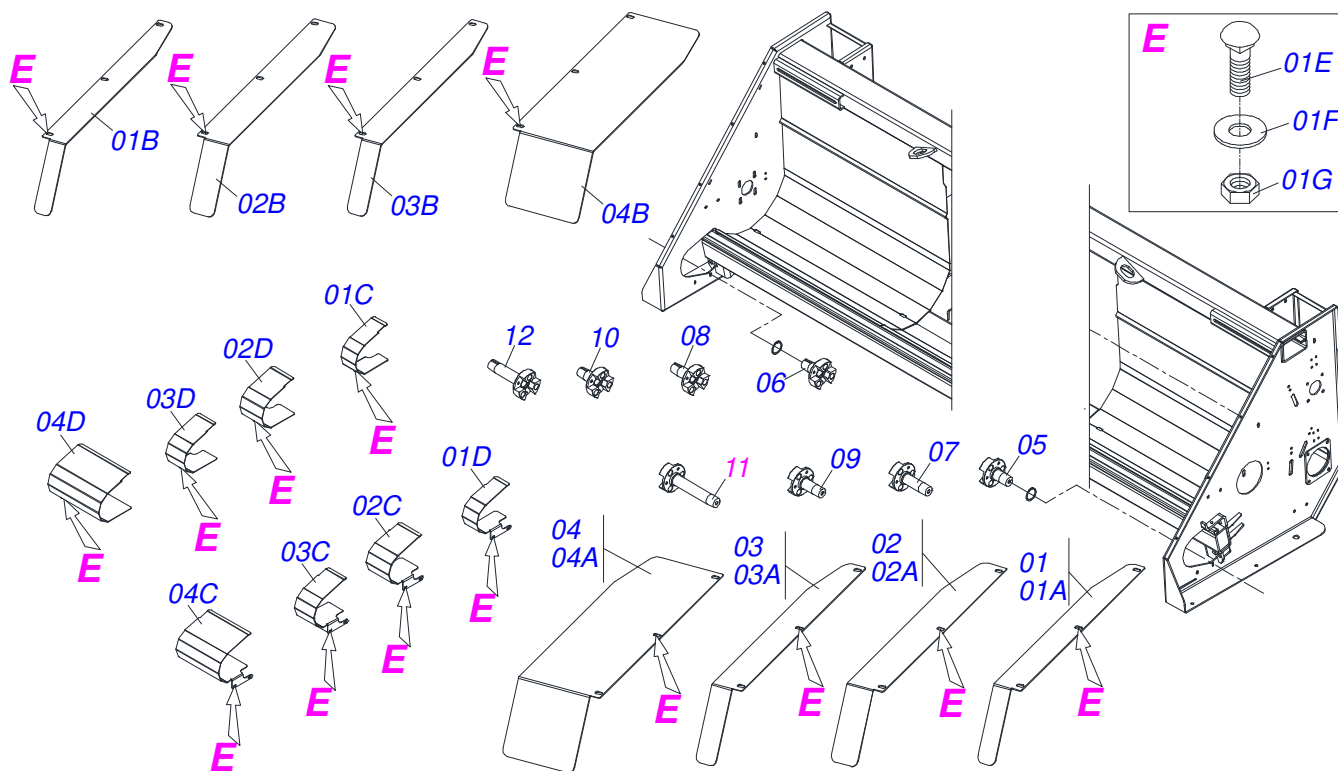
Item	Code	Description	See page	9/450	8/500	7/600	6/700	5/800	5/900
01	0511052825	PROTECTION SIDE FINISHING		01	00	01	00	00	01
01A	0571013033	FINISHING THE LEFT SIDE FAIRING (50 PMT)		01	00	01	00	00	01
01B	0571013032	FINISHING THE RIGHT SIDE FAIRING (50 PMT)		01	00	01	00	00	01
01C	0571013251	PROTECTION COUPLING SIDE RIGHT		01	00	01	00	00	01
01D	0571013250	PROTECTION COUPLING SIDE LEFT		01	00	01	00	00	01
01E	0501011643	3/8 X 1" BOLT		10	10	10	10	10	10
01F	0501010984	FLAT WASHER		10	10	10	10	10	10
01G	0503013357	3/8" SELF-ADJUSTING NUT		10	10	10	10	10	10
02	0511052828	PROTECTION SIDE FINISHING 100 PMT		00	01	00	01	00	00
02A	0571012906	FINISHING THE LEFT SIDE FAIRING (100 PMT)		00	01	00	01	00	00
02B	0571012905	FINISHING THE RIGHT SIDE FAIRING (100 PMT)		00	01	00	01	00	00
02C	0571013267	PROTECTION COUPLING SIDE LEFT		00	01	00	01	00	00
02D	0571013266	PROTECTION COUPLING SIDE RIGHT		00	01	00	01	00	00
03	0511052834	PROTECTION SIDE FINISHING 250 PMT		00	00	00	00	01	00
03A	0571012894	FINISHING THE LEFT SIDE FAIRING (250 PMT)		00	00	00	00	01	00
03B	0571012893	FINISHING THE RIGHT SIDE FAIRING (250 PMT)		00	00	00	00	01	00
03C	0571013279	PROTECTION COUPLING SIDE LEFT		00	00	00	00	01	00
03D	0571013278	PROTECTION COUPLING SIDE RIGHT		00	00	00	00	01	00
04	0521063685	50 LH SIDE FOLLOWER		01	00	01	00	00	01
05	0521063684	50 RH SIDE FOLLOWER		01	00	01	00	00	01
06	0521063689	100 LH SIDE FOLLOWER		00	01	00	01	00	00
07	0521062794	100 RH SIDE FOLLOWER		00	01	00	01	00	00
08	0521063697	250 LH SIDE FOLLOWER		00	00	00	00	01	00
09	0521063696	250 RH SIDE FOLLOWER		00	00	00	00	01	00



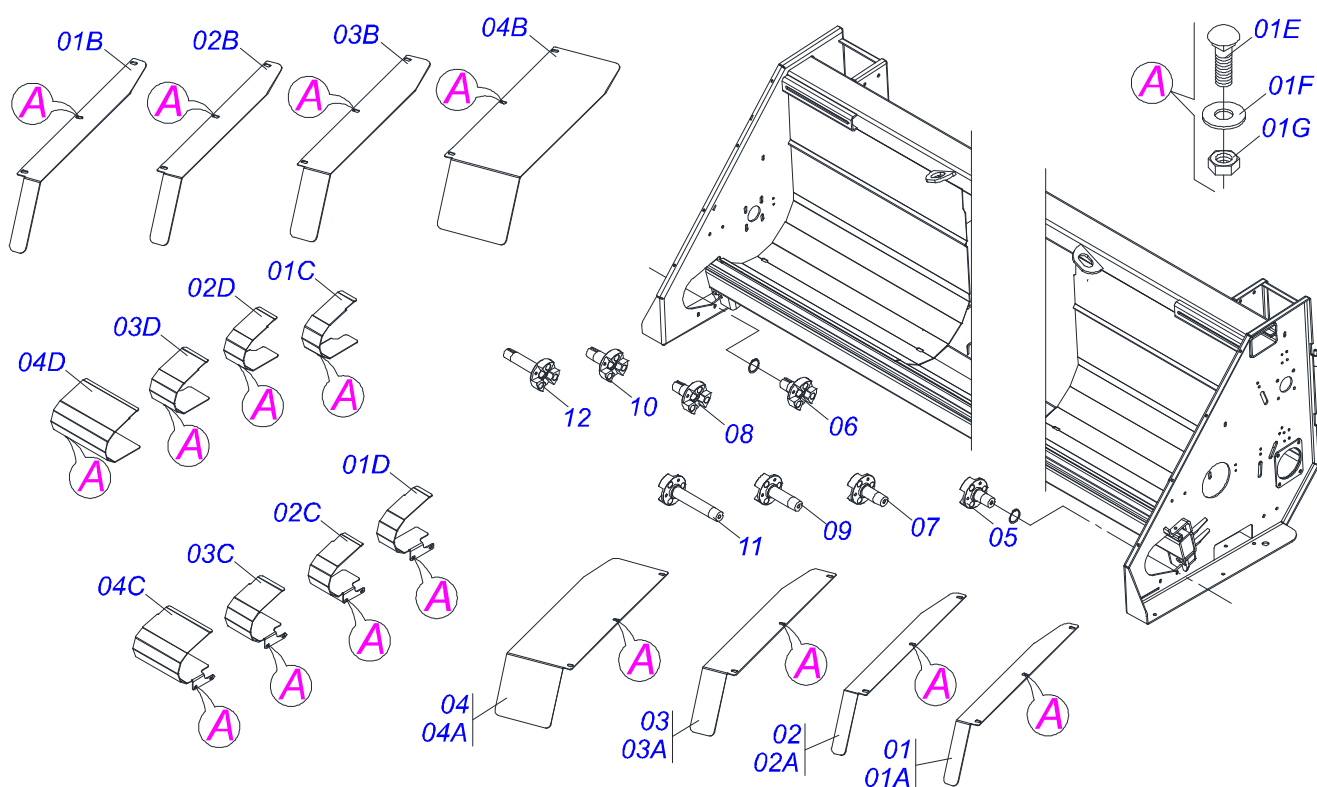
Item	Code	Description	See page	10/450	9/500	8/550	6/800	5/900
01	0511052825	PROTECTION SIDE FINISHING		01	00	00	00	00
01A	0571013033	FINISHING THE LEFT SIDE FAIRING (50 PMT)		01	00	00	00	00
01B	0571013032	FINISHING THE RIGHT SIDE FAIRING (50 PMT)		01	00	00	00	00
01C	0571013251	PROTECTION COUPLING SIDE RIGHT		01	00	00	00	00
01D	0571013250	PROTECTION COUPLING SIDE LEFT		01	00	00	00	00
01E	0501011643	3/8 X 1" BOLT		10	10	10	10	10
01F	0501010984	FLAT WASHER		10	10	10	10	10
01G	0503013357	3/8" SELF-ADJUSTING NUT		10	10	10	10	10
02	0511052826	PROTECTION SIDE FINISHING 75 PMT		00	01	00	01	00
02A	0571013035	FINISHING THE LEFT SIDE FAIRING 75		00	01	00	01	00
02B	0571013034	FINISHING THE RIGHT SIDE FAIRING 75		00	01	00	01	00
02C	0571013252	PROTECTION COUPLING SIDE LEFT		00	01	00	01	00
02D	0571013253	PROTECTION COUPLING SIDE RIGHT		00	01	00	01	00
03	0511052830	PROTECTION SIDE FINISHING		00	00	01	00	00
03A	0571012902	FINISHING THE LEFT SIDE FAIRING (150 PMT)		00	00	01	00	00
03B	0571012901	FINISHING THE RIGHT SIDE FAIRING (150 PMT)		00	00	01	00	00
03C	0571013271	PROTECTION COUPLING SIDE LEFT		00	00	01	00	00
03D	0571013270	PROTECTION COUPLING SIDE RIGHT		00	00	01	00	00
04	0511052835	PROTECTION SIDE FINISHING 275 PMT		00	00	00	00	01
04A	0571012892	FINISHING THE LEFT SIDE FAIRING (275 PMT)		00	00	00	00	01
04B	0571012891	FINISHING THE RIGHT SIDE FAIRING (275 PMT)		00	00	00	00	01
04C	0571013281	PROTECTION COUPLING SIDE LEFT		00	00	00	00	01
04D	0571013280	PROTECTION COUPLING SIDE RIGHT		00	00	00	00	01
05	0521063685	50 LH SIDE FOLLOWER		01	00	00	00	00
06	0521063684	50 RH SIDE FOLLOWER		01	00	00	00	00
07	0521063687	75 LH SIDE FOLLOWER		00	01	00	01	00
08	0521063686	75 RH SIDE FOLLOWER		00	01	00	01	00
09	0521063695	150 LH SIDE FOLLOWER		00	00	01	00	00
10	0521063694	150 RH SIDE FOLLOWER		00	00	01	00	00
11	0521063701	275 LH SIDE FOLLOWER		00	00	00	00	01
12	0521063721	275 RH SIDE FOLLOWER		00	00	00	00	01



Item	Code	Description	See page	11/450	10/500	9/550	8/600	7/700	6/800
01	0511052825	PROTECTION SIDE FINISHING		01	01	00	00	00	00
01A	0571013033	FINISHING THE LEFT SIDE FAIRING (50 PMT)		01	01	00	00	00	00
01B	0571013032	FINISHING THE RIGHT SIDE FAIRING (50 PMT)		01	01	00	00	00	00
01C	0571013251	PROTECTION COUPLING SIDE RIGHT		01	01	00	00	00	00
01D	0571013250	PROTECTION COUPLING SIDE LEFT		01	01	00	00	00	00
01E	0501011643	3/8 X 1" BOLT		10	10	10	10	10	10
01F	0501010984	FLAT WASHER		10	10	10	10	10	10
01G	0503013357	3/8" SELF-ADJUSTING NUT		10	10	10	10	10	10
02	0511052828	PROTECTION SIDE FINISHING 100 PMT		00	00	01	00	00	00
02A	0571012906	FINISHING THE LEFT SIDE FAIRING (100 PMT)		00	00	01	00	00	00
02B	0571012905	FINISHING THE RIGHT SIDE FAIRING (100 PMT)		00	00	01	00	00	00
02C	0571013267	PROTECTION COUPLING SIDE LEFT		00	00	01	00	00	00
02D	0571013266	PROTECTION COUPLING SIDE RIGHT		00	00	01	00	00	00
03	0511052832	PROTECTION SIDE FINISHING		00	00	00	01	01	00
03A	0571012898	FINISHING THE LEFT SIDE FAIRING (200 PMT)		00	00	00	01	01	00
03B	0571012897	FINISHING THE RIGHT SIDE FAIRING (200 PMT)		00	00	00	01	01	00
03C	0571013275	PROTECTION COUPLING SIDE LEFT		00	00	00	01	01	00
03D	0571013274	PROTECTION COUPLING SIDE RIGHT		00	00	00	01	01	00
04	0511052836	PROTECTION SIDE FINISHING 300 PMT		00	00	00	00	00	01
04A	0571012890	FINISHING THE LEFT SIDE FAIRING (300 PMT)		00	00	00	00	00	01
04B	0571012889	FINISHING THE RIGHT SIDE FAIRING (300 PMT)		00	00	00	00	00	01
04C	0571013283	PROTECTION COUPLING SIDE LEFT		00	00	00	00	00	01
04D	0571013282	PROTECTION COUPLING SIDE RIGHT		00	00	00	00	00	01
05	0521063685	50 LH SIDE FOLLOWER		01	01	00	00	00	00
06	0521063684	50 RH SIDE FOLLOWER		01	01	00	00	00	00
07	0521063689	100 LH SIDE FOLLOWER		00	00	01	00	00	00
08	0521062794	100 RH SIDE FOLLOWER		00	00	01	00	00	00
09	0521063708	200 LH SIDE FOLLOWER		00	00	00	01	01	00
10	0521063704	200 RH SIDE FOLLOWER		00	00	00	01	01	00
11	0521063709	300 LH SIDE FOLLOWER		00	00	00	00	00	01
12	0521063705	300 RH SIDE FOLLOWER		00	00	00	00	00	01



Item	Code	Description	See page	12/12-450	12/10-550	12/9-600	12/8-700
01	0511052825	PROTECTION SIDE FINISHING		01	01	00	00
01A	0571013033	FINISHING THE LEFT SIDE FAIRING (50 PMT)		01	01	00	00
01B	0571013032	FINISHING THE RIGHT SIDE FAIRING (50 PMT)		01	01	00	00
01C	0571013251	PROTECTION COUPLING SIDE RIGHT		01	01	00	00
01D	0571013250	PROTECTION COUPLING SIDE LEFT		01	01	00	00
01E	0501011643	3/8 X 1" BOLT		10	10	10	10
01F	0501010984	FLAT WASHER		10	10	10	10
01G	0503013357	3/8" SELF-ADJUSTING NUT		10	10	10	10
02	0511052829	PROTECTION SIDE FINISHING		00	00	01	00
02A	0571012904	FINISHING THE LEFT SIDE FAIRING (125 PMT)		00	00	01	00
02B	0571012903	FINISHING THE RIGHT SIDE FAIRING (125 PMT)		00	00	01	00
02C	0571013269	PROTECTION COUPLING SIDE LEFT		00	00	01	00
02D	0571013268	PROTECTION COUPLING SIDE RIGHT		00	00	01	00
03	0511052826	PROTECTION SIDE FINISHING 75 PMT		00	00	00	01
03A	0571013035	FINISHING THE LEFT SIDE FAIRING 75		00	00	00	01
03B	0571013034	FINISHING THE RIGHT SIDE FAIRING 75		00	00	00	01
03C	0571013252	PROTECTION COUPLING SIDE LEFT		00	00	00	01
03D	0571013253	PROTECTION COUPLING SIDE RIGHT		00	00	00	01
04	0511052835	PROTECTION SIDE FINISHING 275 PMT		00	00	00	00
04A	0571012892	FINISHING THE LEFT SIDE FAIRING (275 PMT)		00	00	00	00
04B	0571012891	FINISHING THE RIGHT SIDE FAIRING (275 PMT)		00	00	00	00
04C	0571013281	PROTECTION COUPLING SIDE LEFT		00	00	00	00
04D	0571013280	PROTECTION COUPLING SIDE RIGHT		00	00	00	00
05	0521063685	50 LH SIDE FOLLOWER		01	01	00	00
06	0521063684	50 RH SIDE FOLLOWER		01	01	00	00
07	0521063691	125 LH SIDE FOLLOWER		00	00	01	00
08	0521063690	125 RH SIDE FOLLOWER		00	00	01	00
09	0521063687	75 LH SIDE FOLLOWER		00	00	00	01
10	0521063686	75 RH SIDE FOLLOWER		00	00	00	01
11	0521063701	275 LH SIDE FOLLOWER		00	00	00	00
12	0521063721	275 RH SIDE FOLLOWER		00	00	00	00

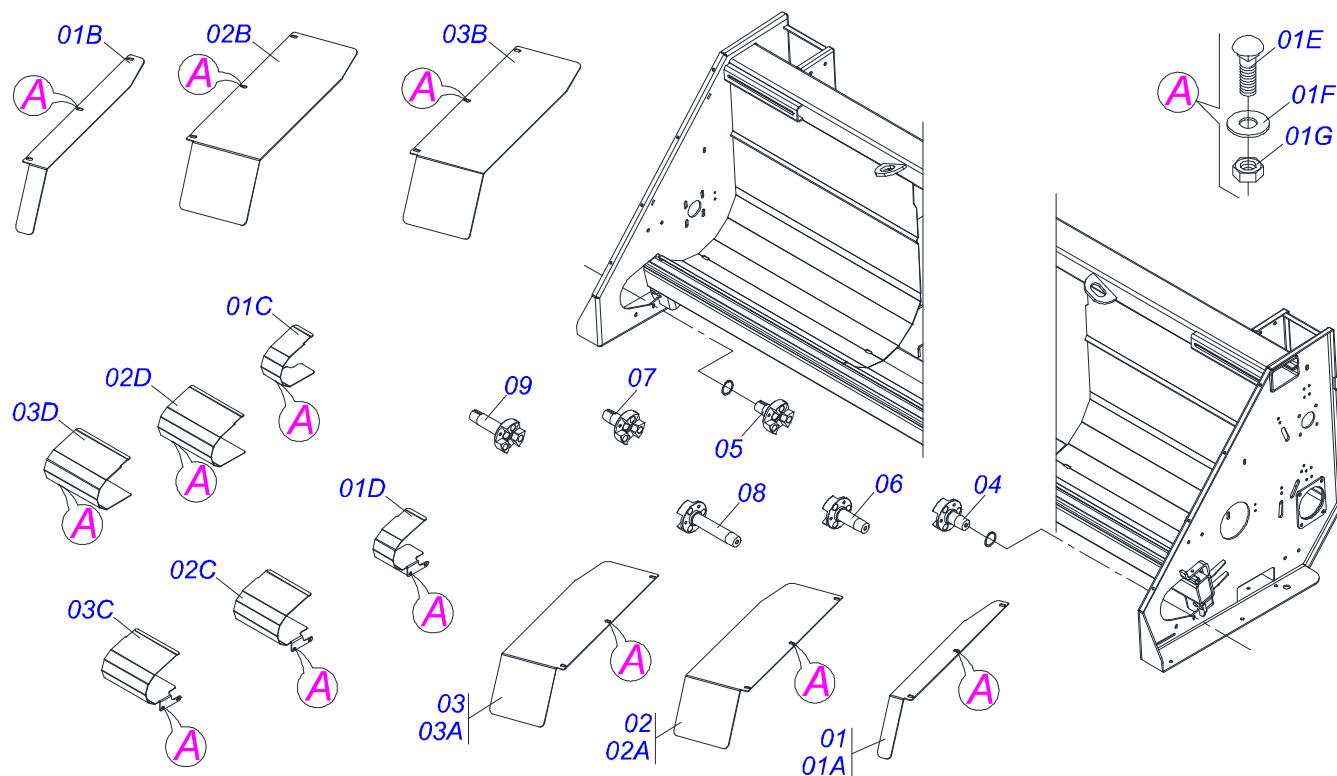


Item	Code	Description	See page	11/11-500	11/100-550	11/9-600	11/8-700
01	0511052825	PROTECTION SIDE FINISHING		01	00	00	00
01A	0571013033	FINISHING THE LEFT SIDE FAIRING (50 PMT)		01	00	00	00
01B	0571013032	FINISHING THE RIGHT SIDE FAIRING (50 PMT)		01	00	00	00
01C	0571013251	PROTECTION COUPLING SIDE RIGHT		01	00	00	00
01D	0571013250	PROTECTION COUPLING SIDE LEFT		01	00	00	00
01E	0501011643	3/8 X 1" BOLT		10	10	10	10
01F	0501010984	FLAT WASHER		10	10	10	10
01G	0503013357	3/8" SELF-ADJUSTING NUT		10	10	10	10
02	0511052826	PROTECTION SIDE FINISHING 75 PMT		00	01	00	00
02A	0571013035	FINISHING THE LEFT SIDE FAIRING 75		00	01	00	00
02B	0571013034	FINISHING THE RIGHT SIDE FAIRING 75		00	01	00	00
02C	0571013252	PROTECTION COUPLING SIDE LEFT		00	01	00	00
02D	0571013253	PROTECTION COUPLING SIDE RIGHT		00	01	00	00
03	0511052830	PROTECTION SIDE FINISHING		00	00	01	00
03A	0571012902	FINISHING THE LEFT SIDE FAIRING (150 PMT)		00	00	01	00
03B	0571012901	FINISHING THE RIGHT SIDE FAIRING (150 PMT)		00	00	01	00
03C	0571013271	PROTECTION COUPLING SIDE LEFT		00	00	01	00
03D	0571013270	PROTECTION COUPLING SIDE RIGHT		00	00	01	00
04	0511052828	PROTECTION SIDE FINISHING 100 PMT		00	00	00	01
04A	0571012906	FINISHING THE LEFT SIDE FAIRING (100 PMT)		00	00	00	01
04B	0571012905	FINISHING THE RIGHT SIDE FAIRING (100 PMT)		00	00	00	01
04C	0571013267	PROTECTION COUPLING SIDE LEFT		00	00	00	01
04D	0571013266	PROTECTION COUPLING SIDE RIGHT		00	00	00	01
05	0511052836	PROTECTION SIDE FINISHING 300 PMT		00	00	00	01
05A	0571012890	FINISHING THE LEFT SIDE FAIRING (300 PMT)		00	00	00	01
05B	0571012889	FINISHING THE RIGHT SIDE FAIRING (300 PMT)		00	00	00	01
05C	0571013283	PROTECTION COUPLING SIDE LEFT		00	00	00	01
05D	0571013282	PROTECTION COUPLING SIDE RIGHT		00	00	00	01
06	0521063685	50 LH SIDE FOLLOWER		01	00	00	00
07	0521063684	50 RH SIDE FOLLOWER		01	00	00	00
08	0521063687	75 LH SIDE FOLLOWER		00	01	00	00

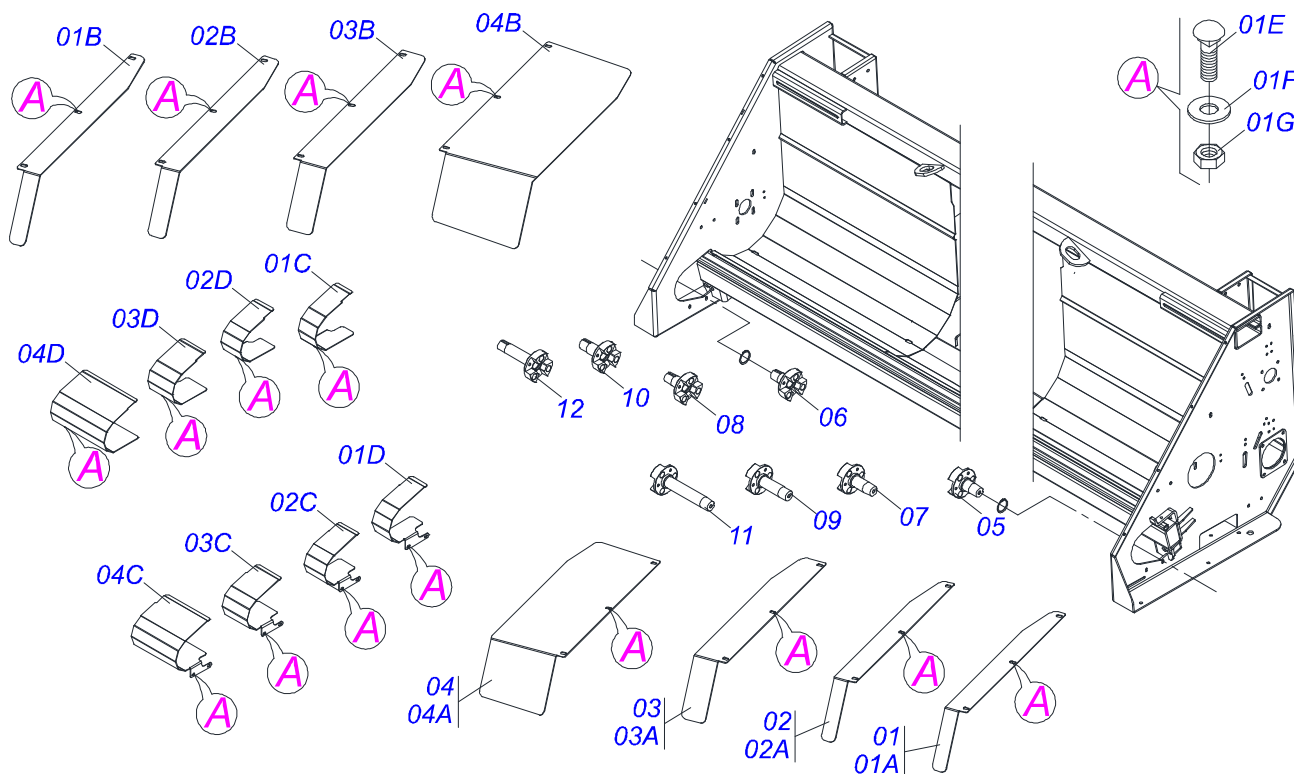


PMT 05/06/07/08/09/10/11/12/13/15 LINES
FOLLOWER SIDE PROTECTION 5550

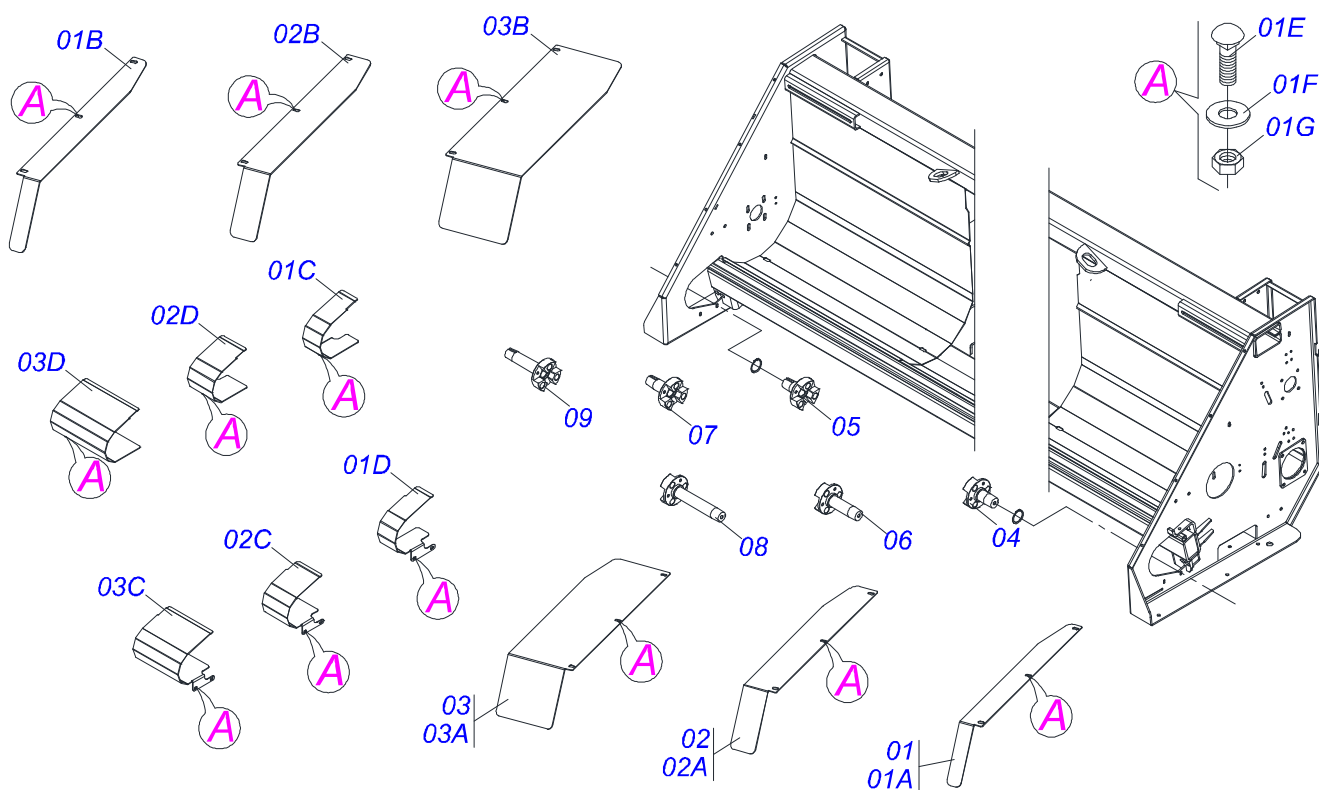
Item	Code	Description	See page	11/11-500	11/100-550	11/9-600	11/8-700		
09	0521063686	75 RH SIDE FOLLOWER		00	01	00	00	00	
10	0521063694	150 RH SIDE FOLLOWER		00	00	01	00	00	01
11	0521063695	150 LH SIDE FOLLOWER		00	00	01	00	00	01
12	0521063689	100 LH SIDE FOLLOWER		00	00	00	01	00	00
13	0521062794	100 RH SIDE FOLLOWER		00	00	00	01	00	00
14	0521063709	300 LH SIDE FOLLOWER		00	00	00	00	01	00
15	0521063705	300 RH SIDE FOLLOWER		00	00	00	00	01	00



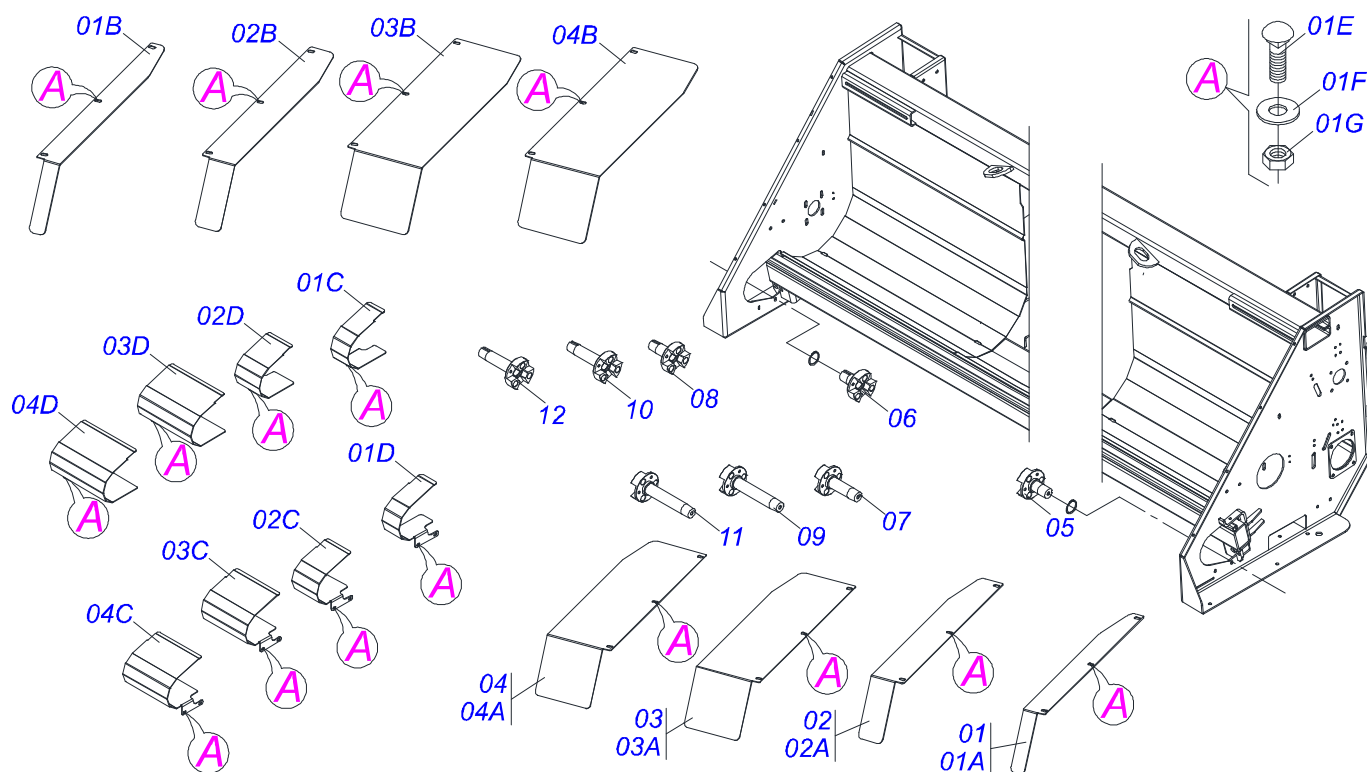
Item	Code	Description	See page	13/450	10/600	8/700	7/800	7/900
01	0511052825	PROTECTION SIDE FINISHING		01	01	00	00	01
01A	0571013033	FINISHING THE LEFT SIDE FAIRING (50 PMT)		01	01	00	00	01
01B	0571013032	FINISHING THE RIGHT SIDE FAIRING (50 PMT)		01	01	00	00	01
01C	0571013251	PROTECTION COUPLING SIDE RIGHT		01	01	00	00	01
01D	0571013250	PROTECTION COUPLING SIDE LEFT		01	01	00	00	01
01E	0501011643	3/8 X 1" BOLT		10	10	10	10	10
01F	0501010984	FLAT WASHER		10	10	10	10	10
01G	0503013357	3/8" SELF-ADJUSTING NUT		10	10	10	10	10
02	0511052836	PROTECTION SIDE FINISHING 300 PMT		00	00	01	00	00
02A	0571012890	FINISHING THE LEFT SIDE FAIRING (300 PMT)		00	00	01	00	00
02B	0571012889	FINISHING THE RIGHT SIDE FAIRING (300 PMT)		00	00	01	00	00
02C	0571013283	PROTECTION COUPLING SIDE LEFT		00	00	01	00	00
02D	0571013282	PROTECTION COUPLING SIDE RIGHT		00	00	01	00	00
03	0511052837	PROTECTION SIDE FINISHING		00	00	00	01	00
03A	0571012888	FINISHING THE LEFT SIDE FAIRING (350 PMT)		00	00	00	01	00
03B	0571012887	FINISHING THE RIGHT SIDE FAIRING (350 PMT)		00	00	00	01	00
03C	0571013288	PROTECTION COUPLING SIDE LEFT		00	00	00	01	00
03D	0571013287	PROTECTION COUPLING SIDE RIGHT		00	00	00	01	00
04	0521063685	50 LH SIDE FOLLOWER		01	01	00	00	01
05	0521063684	50 RH SIDE FOLLOWER		01	01	00	00	01
06	0521063709	300 LH SIDE FOLLOWER		00	00	01	00	00
07	0521063705	300 RH SIDE FOLLOWER		00	00	01	00	00
08	0521063700	350 LH SIDE FOLLOWER		00	00	00	01	00
09	0521063706	350 RH SIDE FOLLOWER		00	00	00	01	00



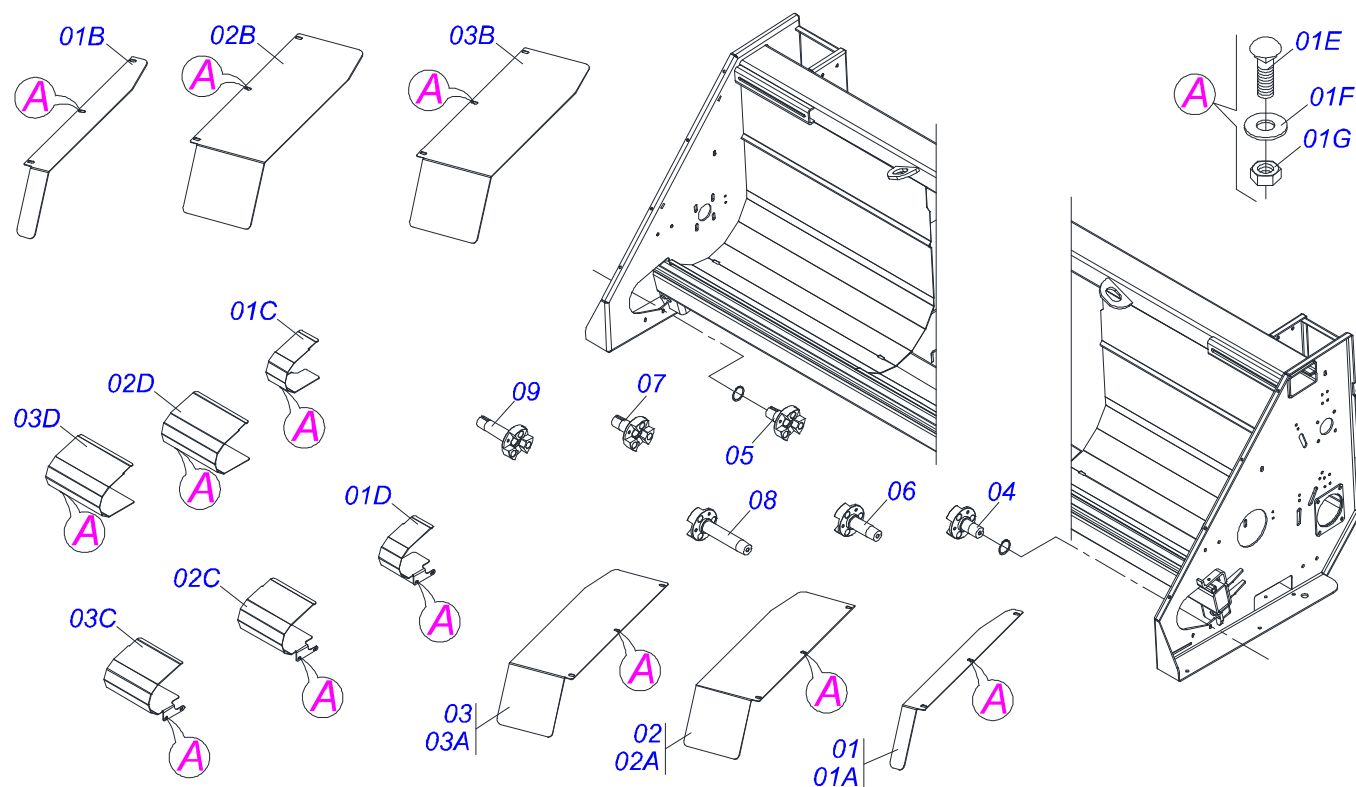
Item	Code	Description	See page	12/500	11/550	10/600	8/750	7/800	7/900
01	0511052825	PROTECTION SIDE FINISHING		00	01	00	00	00	00
01A	0571013033	FINISHING THE LEFT SIDE FAIRING (50 PMT)		00	01	00	00	00	00
01B	0571013032	FINISHING THE RIGHT SIDE FAIRING (50 PMT)		00	01	00	00	00	00
01C	0571013251	PROTECTION COUPLING SIDE RIGHT		00	01	00	00	00	00
01D	0571013250	PROTECTION COUPLING SIDE LEFT		00	01	00	00	00	00
01E	0501011643	3/8 X 1" BOLT		10	10	10	10	10	10
01F	0501010984	FLAT WASHER		10	10	10	10	10	10
01G	0503013357	3/8" SELF-ADJUSTING NUT		10	10	10	10	10	10
02	0511052828	PROTECTION SIDE FINISHING 100 PMT		01	00	01	00	00	01
02A	0571012906	FINISHING THE LEFT SIDE FAIRING (100 PMT)		01	00	01	00	00	01
02B	0571012905	FINISHING THE RIGHT SIDE FAIRING (100 PMT)		01	00	01	00	00	01
02C	0571013267	PROTECTION COUPLING SIDE LEFT		01	00	01	00	00	01
02D	0571013266	PROTECTION COUPLING SIDE RIGHT		01	00	01	00	00	01
03	0511052831	PROTECTION SIDE FINISHING 175 PMT		00	00	00	01	00	00
03A	0571012900	FINISHING THE LEFT SIDE FAIRING (175 PMT)		00	00	00	01	00	00
03B	0571012899	FINISHING THE RIGHT SIDE FAIRING (175 PMT)		00	00	00	01	00	00
03C	0571013273	PROTECTION COUPLING SIDE LEFT		00	00	00	01	00	00
03D	0571013272	PROTECTION COUPLING SIDE RIGHT		00	00	00	01	00	00
04	0511052839	PROTECTION SIDE FINISHING		00	00	00	00	01	00
04A	0571012884	FINISHING THE LEFT SIDE FAIRING (400 PMT)		00	00	00	00	01	00
04B	0571012883	FINISHING THE RIGHT SIDE FAIRING (400 PMT)		00	00	00	00	01	00
04C	0571013292	PROTECTION COUPLING SIDE LEFT		00	00	00	00	01	00
04D	0571013291	PROTECTION COUPLING SIDE RIGHT		00	00	00	00	01	00
05	0521063685	50 LH SIDE FOLLOWER		00	01	00	00	00	00
06	0521063684	50 RH SIDE FOLLOWER		00	01	00	00	00	00
07	0521063689	100 LH SIDE FOLLOWER		01	00	01	00	00	01
08	0521062794	100 RH SIDE FOLLOWER		01	00	01	00	00	01
09	0521063703	175 LH SIDE FOLLOWER		00	00	00	01	00	00
10	0521063702	175 RH SIDE FOLLOWER		00	00	00	01	00	00
11	0521063711	400 LH SIDE FOLLOWER		00	00	00	00	01	00
12	0521063707	400 RH SIDE FOLLOWER		00	00	00	00	01	00



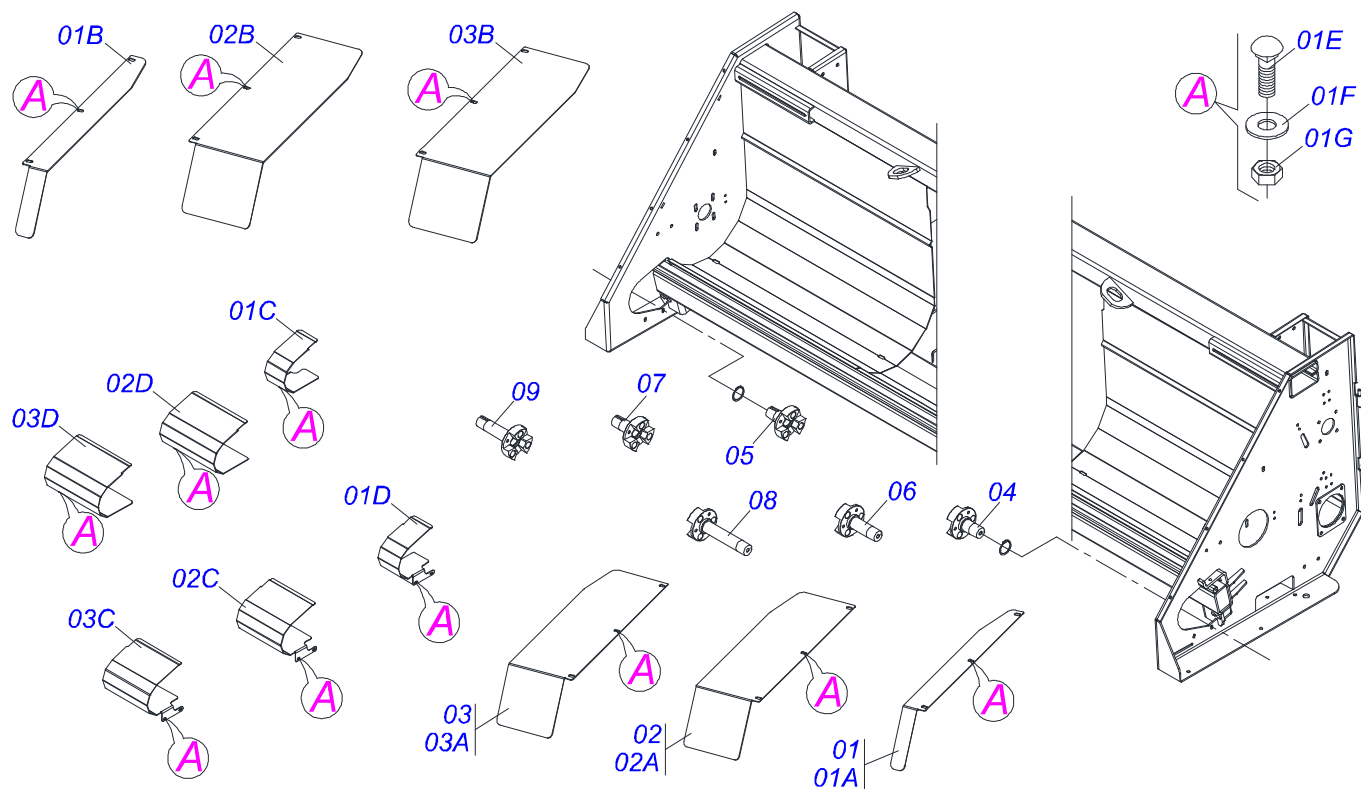
Item	Code	Description	See page	14/450	9/700	8/800	7/900
01	0511052825	PROTECTION SIDE FINISHING		01	00	00	00
01A	0571013033	FINISHING THE LEFT SIDE FAIRING (50 PMT)		01	00	00	00
01B	0571013032	FINISHING THE RIGHT SIDE FAIRING (50 PMT)		01	00	00	00
01C	0571013251	PROTECTION COUPLING SIDE RIGHT		01	00	00	00
01D	0571013250	PROTECTION COUPLING SIDE LEFT		01	00	00	00
01E	0501011643	3/8 X 1" BOLT		10	10	10	10
01F	0501010984	FLAT WASHER		10	10	10	10
01G	0503013357	3/8" SELF-ADJUSTING NUT		10	10	10	10
02	0511052831	PROTECTION SIDE FINISHING 175 PMT		00	01	01	00
02A	0571012900	FINISHING THE LEFT SIDE FAIRING (175 PMT)		00	01	01	00
02B	0571012899	FINISHING THE RIGHT SIDE FAIRING (175 PMT)		00	01	01	00
02C	0571013273	PROTECTION COUPLING SIDE LEFT		00	01	01	00
02D	0571013272	PROTECTION COUPLING SIDE RIGHT		00	01	01	00
03	0511052835	PROTECTION SIDE FINISHING 275 PMT		00	00	00	01
03A	0571012892	FINISHING THE LEFT SIDE FAIRING (275 PMT)		00	00	00	01
03B	0571012891	FINISHING THE RIGHT SIDE FAIRING (275 PMT)		00	00	00	01
03C	0571013281	PROTECTION COUPLING SIDE LEFT		00	00	00	01
03D	0571013280	PROTECTION COUPLING SIDE RIGHT		00	00	00	01
04	0521063685	50 LH SIDE FOLLOWER		01	00	00	00
05	0521063684	50 RH SIDE FOLLOWER		01	00	00	00
06	0521063703	175 LH SIDE FOLLOWER		00	01	01	00
07	0521063702	175 RH SIDE FOLLOWER		00	01	01	00
08	0521063701	275 LH SIDE FOLLOWER		00	00	00	01
09	0521063721	275 RH SIDE FOLLOWER		00	00	00	01



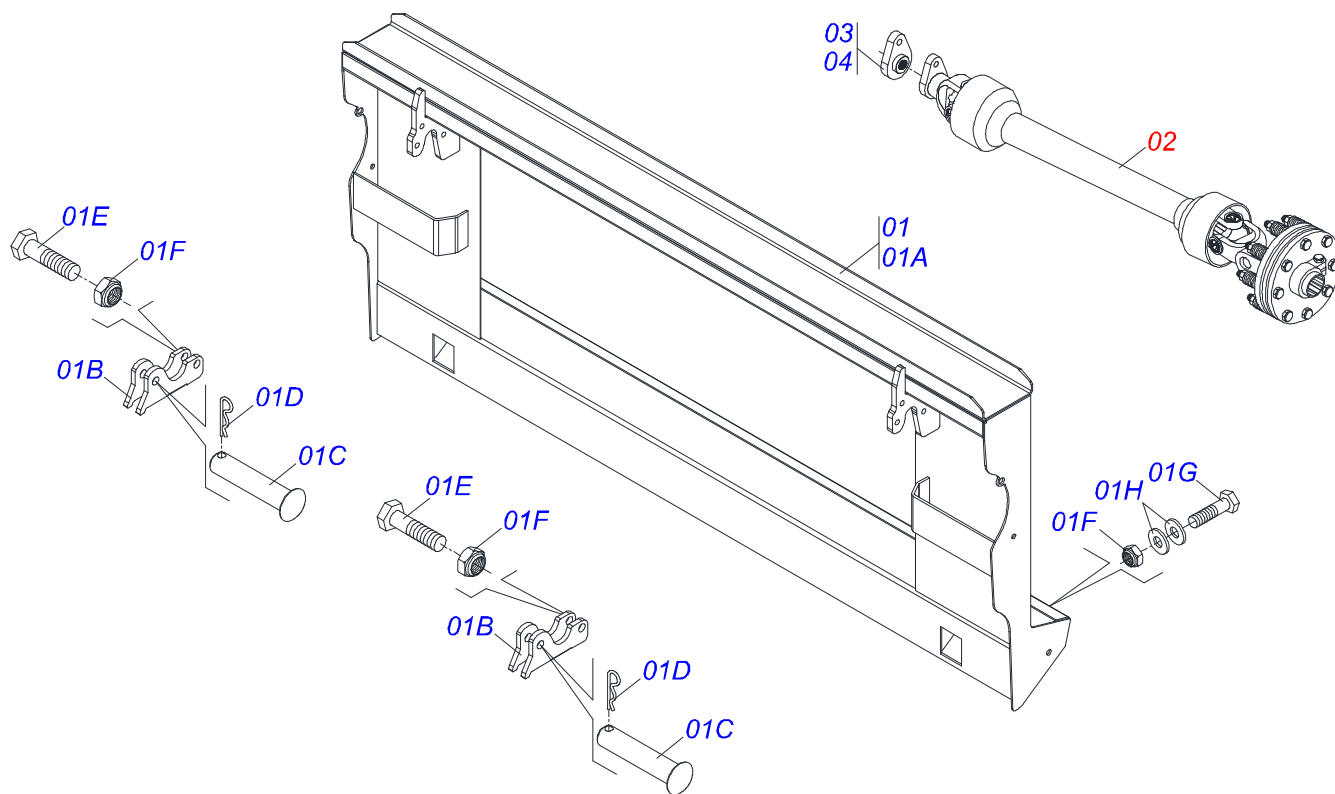
Item	Code	Description	See page	13/500	12/550	11/600	9/700	8/800	7/900
01	0511052825	PROTECTION SIDE FINISHING		00	01	00	00	00	00
01A	0571013033	FINISHING THE LEFT SIDE FAIRING (50 PMT)		00	01	00	00	00	00
01B	0571013032	FINISHING THE RIGHT SIDE FAIRING (50 PMT)		00	01	00	00	00	00
01C	0571013251	PROTECTION COUPLING SIDE RIGHT		00	01	00	00	00	00
01D	0571013250	PROTECTION COUPLING SIDE LEFT		00	01	00	00	00	00
01E	0501011643	3/8 X 1" BOLT		10	10	10	10	10	10
01F	0501010984	FLAT WASHER		10	10	10	10	10	10
01G	0503013357	3/8" SELF-ADJUSTING NUT		10	10	10	10	10	10
02	0511052826	PROTECTION SIDE FINISHING 75 PMT		01	00	01	00	00	00
02A	0571013035	FINISHING THE LEFT SIDE FAIRING 75		01	00	01	00	00	00
02B	0571013034	FINISHING THE RIGHT SIDE FAIRING 75		01	00	01	00	00	00
02C	0571013252	PROTECTION COUPLING SIDE LEFT		01	00	01	00	00	00
02D	0571013253	PROTECTION COUPLING SIDE RIGHT		01	00	01	00	00	00
03	0511052835	PROTECTION SIDE FINISHING 275 PMT		00	00	00	01	01	00
03A	0571012892	FINISHING THE LEFT SIDE FAIRING (275 PMT)		00	00	00	01	01	00
03B	0571012892	FINISHING THE LEFT SIDE FAIRING (275 PMT)		00	00	00	01	01	00
03C	0571013281	PROTECTION COUPLING SIDE LEFT		00	00	00	01	01	00
03D	0571013280	PROTECTION COUPLING SIDE RIGHT		00	00	00	01	01	00
04	0511052838	PROTECTION SIDE FINISHING 375 PMT		00	00	00	00	00	01
04A	0571012886	FINISHING THE LEFT SIDE FAIRING (375 PMT)		00	00	00	00	00	01
04B	0571012885	FINISHING THE RIGHT SIDE FAIRING (375 PMT)		00	00	00	00	00	01
04C	0571013290	PROTECTION COUPLING SIDE LEFT		00	00	00	00	00	01
04D	0571013289	PROTECTION COUPLING SIDE RIGHT		00	00	00	00	00	01
05	0521063685	50 LH SIDE FOLLOWER		00	01	00	00	00	00
06	0521063684	50 RH SIDE FOLLOWER		00	01	00	00	00	00
07	0521063687	75 LH SIDE FOLLOWER		01	00	01	00	00	00
08	0521063686	75 RH SIDE FOLLOWER		01	00	01	00	00	00
09	0521063701	275 LH SIDE FOLLOWER		00	00	00	01	01	00
10	0521063721	275 RH SIDE FOLLOWER		00	00	00	01	01	00
11	0521063710	375 LH SIDE FOLLOWER		00	00	00	00	00	01
12	0521063722	375 RH SIDE FOLLOWER		00	00	00	00	00	01



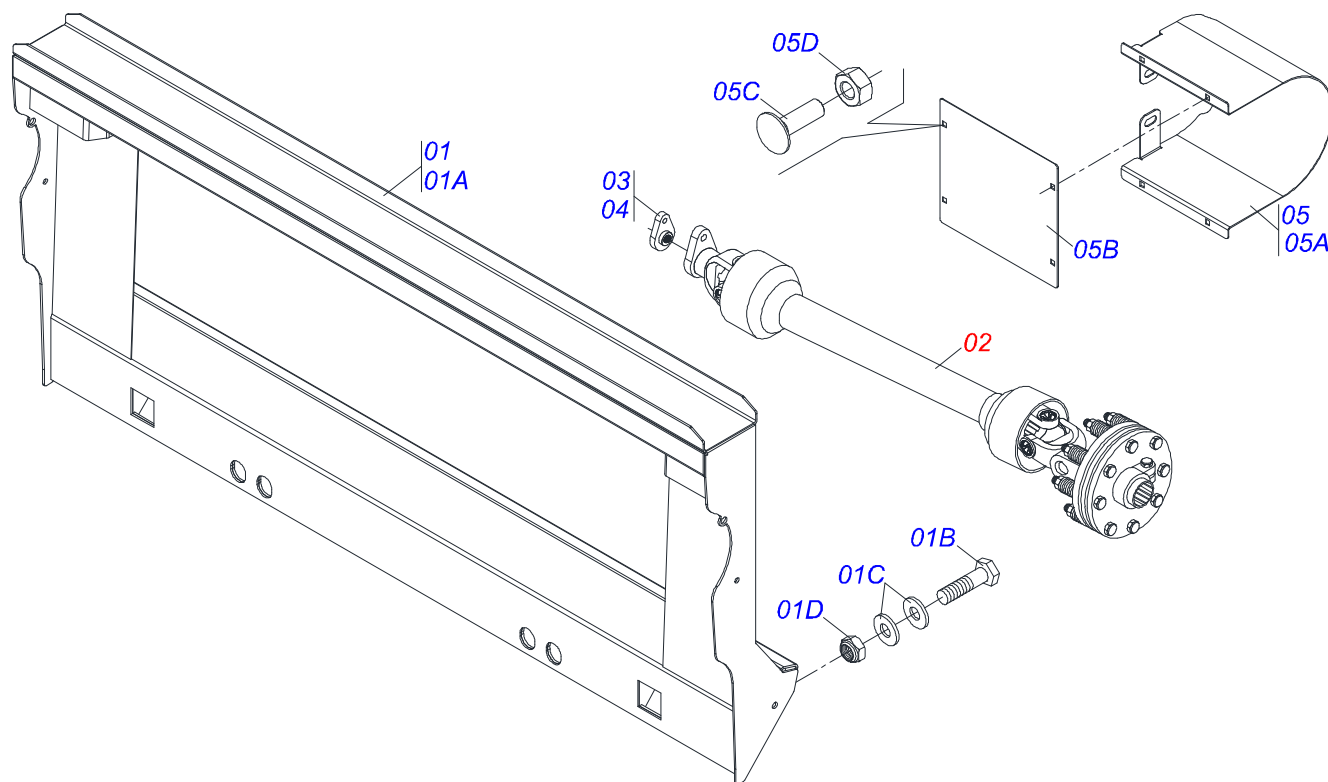
Item	Code	Description	See page	15/450	11/600	10/700	8/800	8/900
01	0511052825	PROTECTION SIDE FINISHING		01	00	01	00	01
01A	0571013033	FINISHING THE LEFT SIDE FAIRING (50 PMT)		01	00	01	00	01
01B	0571013032	FINISHING THE RIGHT SIDE FAIRING (50 PMT)		01	00	01	00	01
01C	0571013251	PROTECTION COUPLING SIDE RIGHT		01	00	01	00	01
01D	0571013250	PROTECTION COUPLING SIDE LEFT		01	00	01	00	01
01E	0501011642	3/8" X 1" BOLT		10	10	10	10	10
01F	0501010984	FLAT WASHER		10	10	10	10	10
01G	0503013357	3/8" SELF-ADJUSTING NUT		10	10	10	10	10
02	0511052832	PROTECTION SIDE FINISHING		00	01	00	00	00
02A	0571012898	FINISHING THE LEFT SIDE FAIRING (200 PMT)		00	01	00	00	00
02B	0571012897	FINISHING THE RIGHT SIDE FAIRING (200 PMT)		00	01	00	00	00
02C	0571013275	PROTECTION COUPLING SIDE LEFT		00	01	00	00	00
02D	0571013274	PROTECTION COUPLING SIDE RIGHT		00	01	00	00	00
03	0511052839	PROTECTION SIDE FINISHING		00	00	00	01	00
03A	0571012884	FINISHING THE LEFT SIDE FAIRING (400 PMT)		00	00	00	01	00
03B	0571012883	FINISHING THE RIGHT SIDE FAIRING (400 PMT)		00	00	00	01	00
03C	0571013292	PROTECTION COUPLING SIDE LEFT		00	00	00	01	00
03D	0571013291	PROTECTION COUPLING SIDE RIGHT		00	00	00	01	00
04	0521063685	50 LH SIDE FOLLOWER		01	00	01	00	01
05	0521063684	50 RH SIDE FOLLOWER		01	00	01	00	01
06	0521063708	200 LH SIDE FOLLOWER		00	01	00	00	00
07	0521063704	200 RH SIDE FOLLOWER		00	01	00	00	00
08	0521063711	400 LH SIDE FOLLOWER		00	00	00	01	00
09	0521063707	400 RH SIDE FOLLOWER		00	00	00	01	00



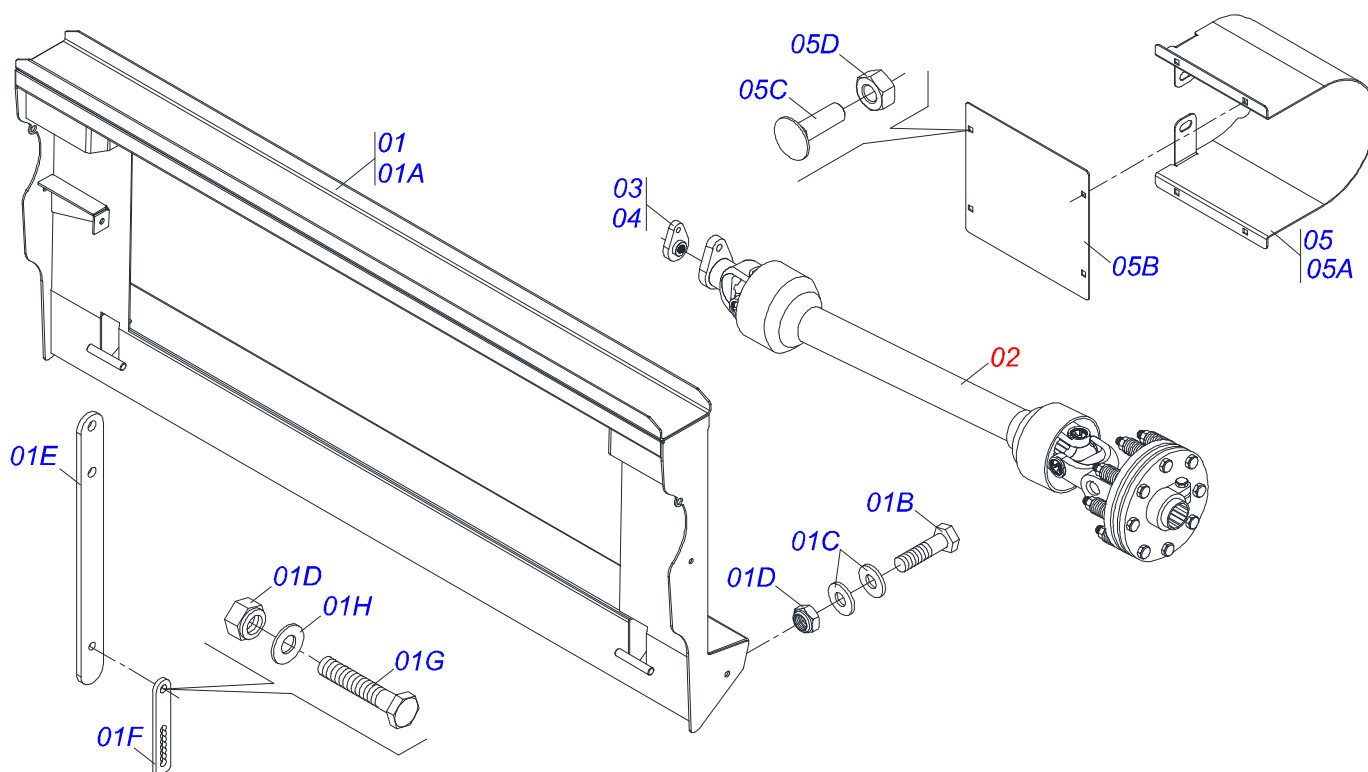
Item	Code	Description	See page	14/450	9/700	8/800	7/900
01	0511052825	PROTECTION SIDE FINISHING		01	01	00	00
01A	0571013033	FINISHING THE LEFT SIDE FAIRING (50 PMT)		01	01	00	00
01B	0571013032	FINISHING THE RIGHT SIDE FAIRING (50 PMT)		01	01	00	00
01C	0571013251	PROTECTION COUPLING SIDE RIGHT		01	01	00	00
01D	0571013250	PROTECTION COUPLING SIDE LEFT		01	01	00	00
01E	0501011643	3/8 X 1" BOLT		10	10	10	10
01F	0501010984	FLAT WASHER		10	10	10	10
01G	0503013357	3/8" SELF-ADJUSTING NUT		10	10	10	10
02	0511052837	PROTECTION SIDE FINISHING		00	00	01	00
02A	0571012888	FINISHING THE LEFT SIDE FAIRING (350 PMT)		00	00	01	00
02B	0571012887	FINISHING THE RIGHT SIDE FAIRING (350 PMT)		00	00	01	00
02C	0571013288	PROTECTION COUPLING SIDE LEFT		00	00	01	00
02D	0571013287	PROTECTION COUPLING SIDE RIGHT		00	00	01	00
03	0511052839	PROTECTION SIDE FINISHING		00	00	00	01
03A	0571012884	FINISHING THE LEFT SIDE FAIRING (400 PMT)		00	00	00	01
03B	0571012883	FINISHING THE RIGHT SIDE FAIRING (400 PMT)		00	00	00	01
03C	0571013292	PROTECTION COUPLING SIDE LEFT		00	00	00	01
03D	0571013291	PROTECTION COUPLING SIDE RIGHT		00	00	00	01
04	0521063685	50 LH SIDE FOLLOWER		01	01	00	00
05	0521063684	50 RH SIDE FOLLOWER		01	01	00	00
06	0521063700	350 LH SIDE FOLLOWER		00	00	01	00
07	0521063706	350 RH SIDE FOLLOWER		00	00	01	00
08	0521063707	400 RH SIDE FOLLOWER		00	00	00	01
09	0521063711	400 LH SIDE FOLLOWER		00	00	00	01



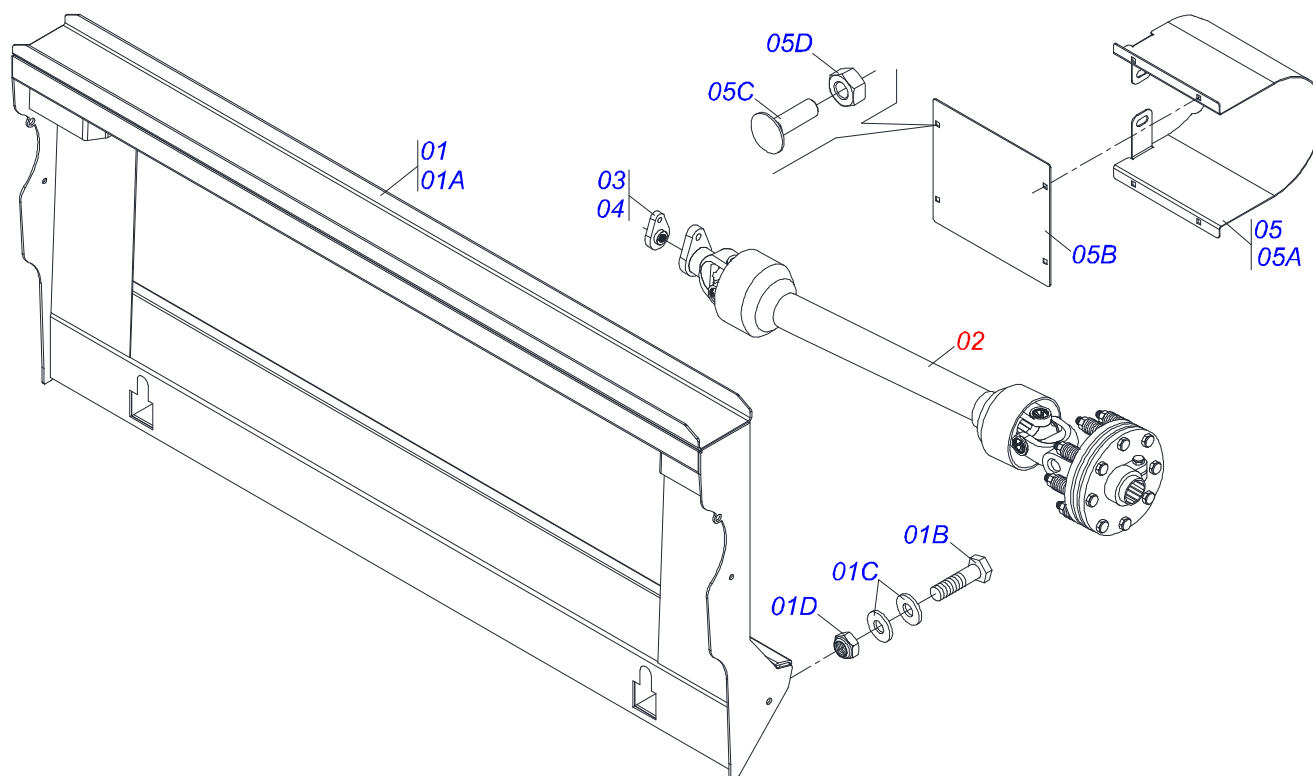
Item	Code	Description	See page	QT
01	0511053183	COUPLING (MF 3640/5650 ATE 12/1999)		01
01A	0521060265	COUPLING (PMT HARVESTER MF3640/5650) ASSY		01
01B	0521060755	COUPLING FIXER		02
01C	0521010549	COUPLING SHAFT		02
01D	0503030168	CUPILLA		02
01E	0503010740	BOLT 1/2 UNC X 2 CS G.5 ZN		02
01F	0503011336	1/2" HEX SELF ADJUSTING NUT		10
01G	0503010395	1/2" X 1-1/4" BOLT		08
01H	0511017302	FLAT WASHER		16
02	0501059170	DRIVE SHAFT	35	01
03	0501058860	POINT		01
04	0511047765	POINT KIT		01



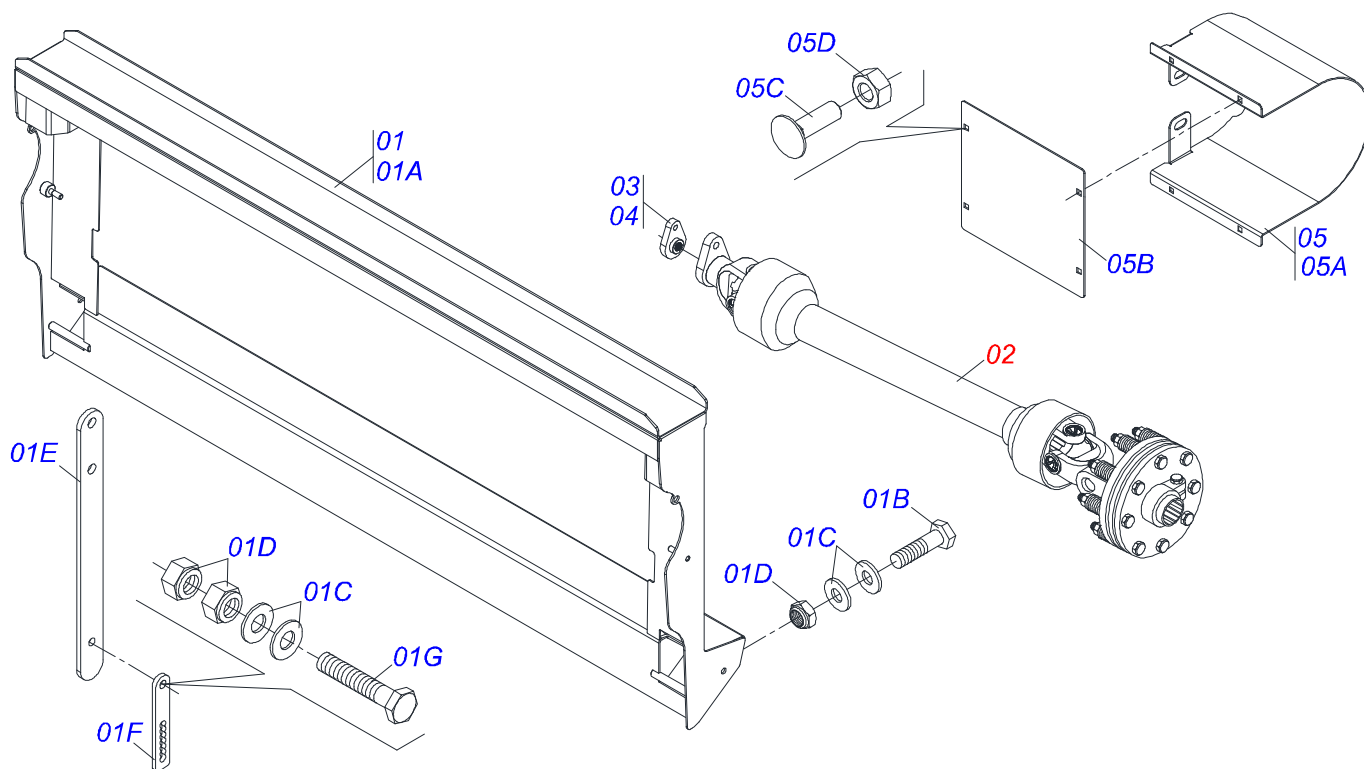
Item	Code	Description	See page	QT
01	0511052290	COUPLING (PMT MF 32/34/38/3640/5650 ADV)		01
01A	0521060269	COUPLING PMT MF 32/34/38/3640/5650 ADV		01
01B	0503010395	1/2" X 1-1/4" BOLT		08
01C	0511017302	FLAT WASHER		16
01D	0503011336	1/2" HEX SELF ADJUSTING NUT		08
02	0501059170	DRIVE SHAFT	35	02
03	0501058860	POINT		02
04	0511047765	POINT KIT		02
05	0511052139	PROTECTION COVER CARDAN		01
05A	0561014871	PROTECTION CARDAN PMT S-06009		01
05B	0561014869	PROTECTIVE COVER		01
05C	0503011952	5/16" X 3/4" BOLT		04
05D	0503013816	5/16" LOCKNUT		04



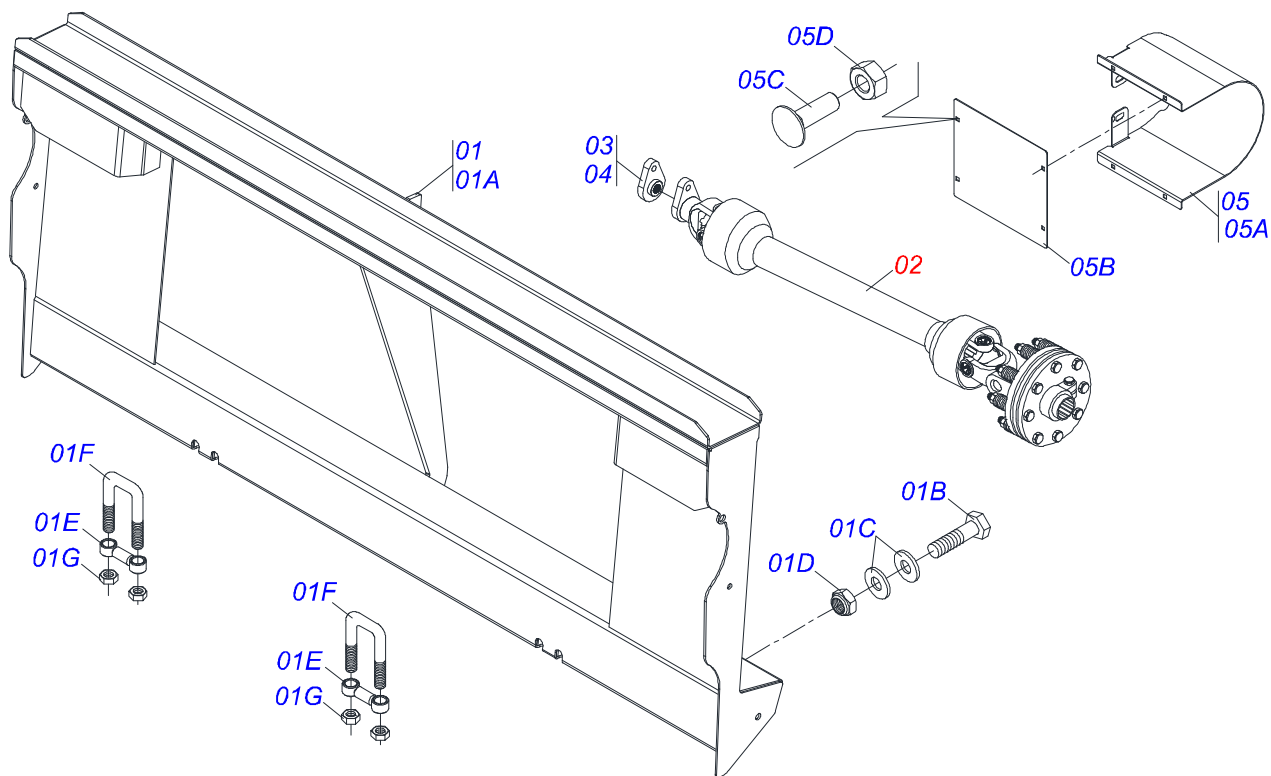
Item	Code	Description	See page	QT
01	0511052274	COUPLING (PMT NH TC55/57)ASSY		01
01A	0521060282	COUPLING (PMT COLHEIT NH TC55/57)		01
01B	0503010395	1/2" X 1-1/4" BOLT		08
01C	0511017302	FLAT WASHER		16
01D	0503011336	1/2" HEX SELF ADJUSTING NUT		10
01E	0561012852	LOCK LEVER		01
01F	0561013244	PLATFORM LOCK		01
01G	0503010920	1/2" X 1.1/2" BOLT		01
01H	0501010937	13.5 X 28 X 3 FLAT WASHER		02
02	0511047824	DRIVE SHAFT	40	01
03	0501058860	POINT		01
04	0511047765	POINT KIT		01
05	0511052139	PROTECTION COVER CARDAN		01
05A	0561014871	PROTECTION CARDAN PMT S-06009		01
05B	0561014869	PROTECTIVE COVER		01
05C	0503011952	5/16" X 3/4" BOLT		04
05D	0503013816	5/16" LOCKNUT		04



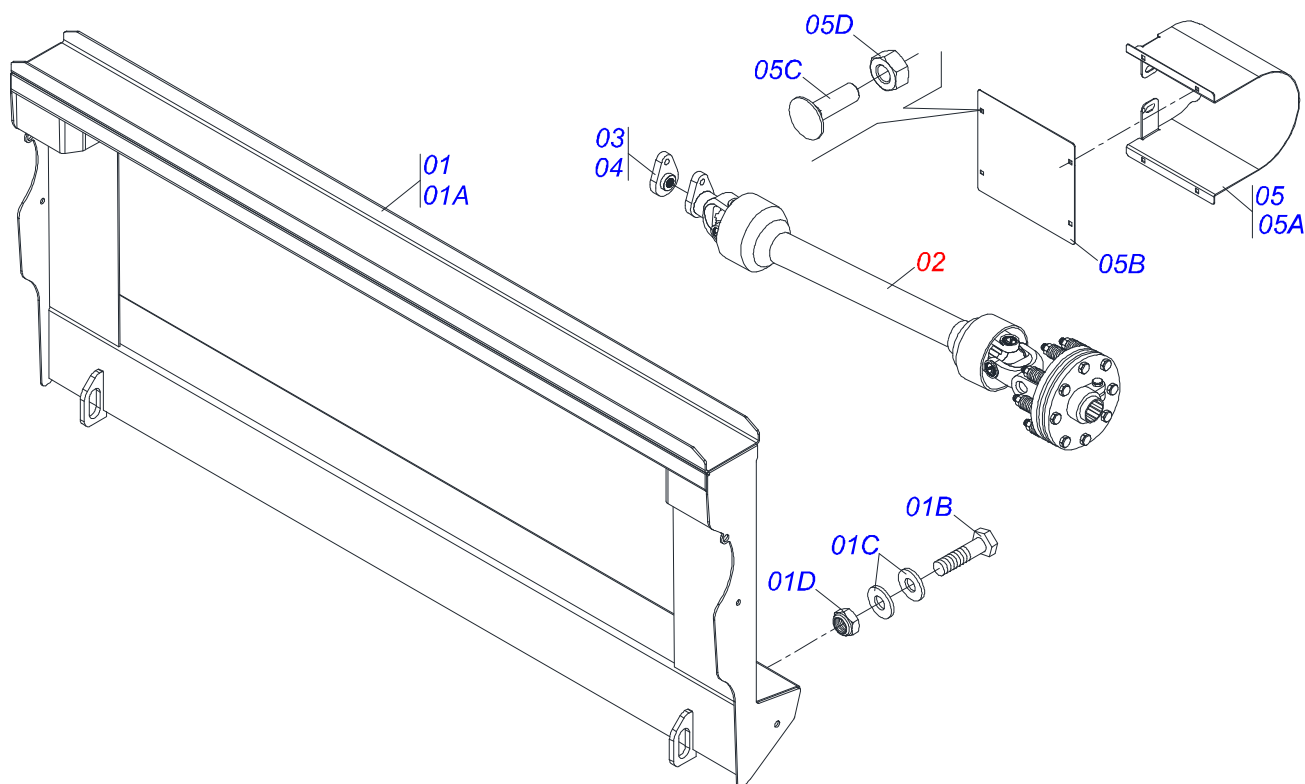
Item	Code	Description	See page	QT
01	0511052974	COUPLING (PMT NH5050/8055)ASSY		01
01A	0521060274	COUPLING (PMT NH4040/5050/8040/8055)ASSY		01
01B	0503010395	1/2" X 1-1/4" BOLT		08
01C	0511017302	FLAT WASHER		16
01D	0503011336	1/2" HEX SELF ADJUSTING NUT		08
02	0501059170	DRIVE SHAFT	35	01
03	0501058860	POINT		01
04	0511047765	POINT KIT		01
05	0511052139	PROTECTION COVER CARDAN		01
05A	0561014871	PROTECTION CARDAN PMT S-06009		01
05B	0561014869	PROTECTIVE COVER		01
05C	0503011952	5/16" X 3/4" BOLT		04
05D	0503013816	5/16" LOCKNUT		04



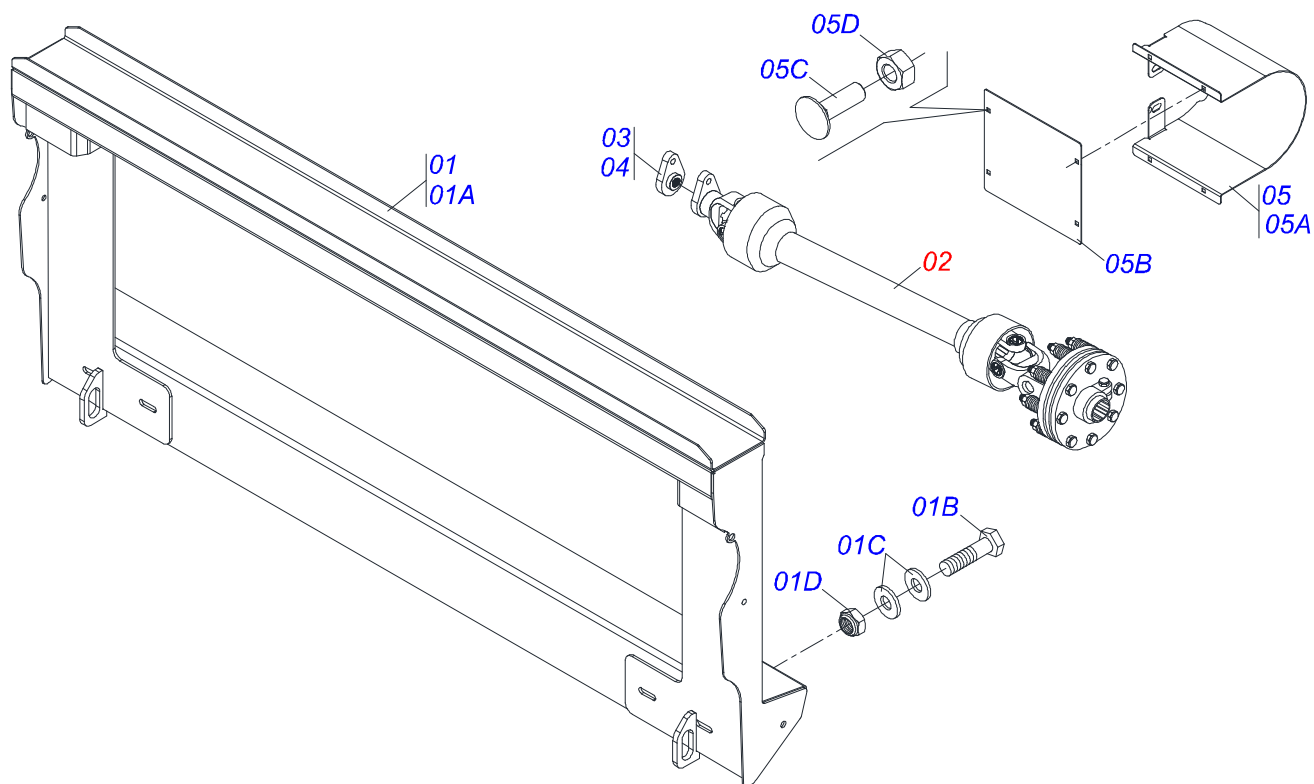
Item	Code	Description	See page	QT
01	0511052223	COUPLING (PMT NH CR 9060) ASSY		01
01A	0521060283	COUPLING NH TC59/5090/CR9060/5070		01
01B	0503010395	1/2" X 1-1/4" BOLT		08
01C	0511017302	FLAT WASHER		18
01D	0503011336	1/2" HEX SELF ADJUSTING NUT		10
01E	0561012852	LOCK LEVER		01
01F	0561013244	PLATFORM LOCK		01
01G	0503010920	1/2" X 1.1/2" BOLT		01
02	0501059170	DRIVE SHAFT	35	02
03	0501058860	POINT		02
04	0511047765	POINT KIT		02
05	0511052139	PROTETION COVER CARDAN		01
05A	0561014871	PROTECTION CARDAN PMT S-06009		02
05B	0561014869	PROTECTIVE COVER		02
05C	0503011953	5/16" X 1" BOLT		08
05D	0503013816	5/16" LOCKNUT		08



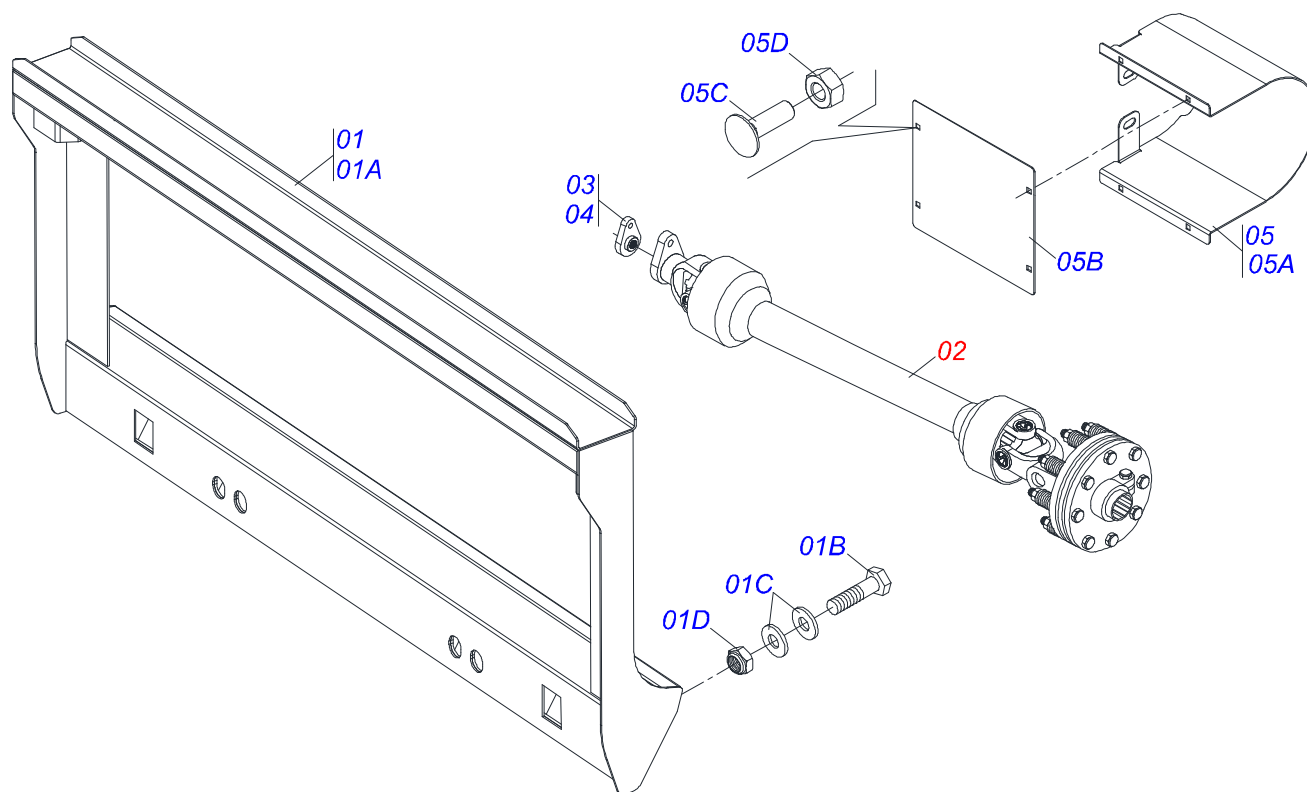
Item	Code	Description	See page	QT
01	0511052138	COUPLING (PMT CASE 2388 COMPL)		01
01A	0521060298	COUPLING (PMT CASE 2166/2366/2188/2388)		01
01B	0503010395	1/2" X 1-1/4" BOLT		08
01C	0511017302	FLAT WASHER		16
01D	0503011336	1/2" HEX SELF ADJUSTING NUT		08
01E	0521061068	FIXER COUPLING		02
01F	0561014315	59 X 90 X 5/8 FASTENER		02
01G	0503010129	5/8" NUT		02
02	0501059170	DRIVE SHAFT	35	02
03	0501058862	POINT		02
04	0511047765	POINT KIT		02
05	0511052139	PROTECTION COVER CARDAN		01
05A	0561014871	PROTECTION CARDAN PMT S-06009		02
05B	0561014869	PROTECTIVE COVER		02
05C	0503011953	5/16" X 1" BOLT		08
05D	0503013816	5/16" LOCKNUT		08



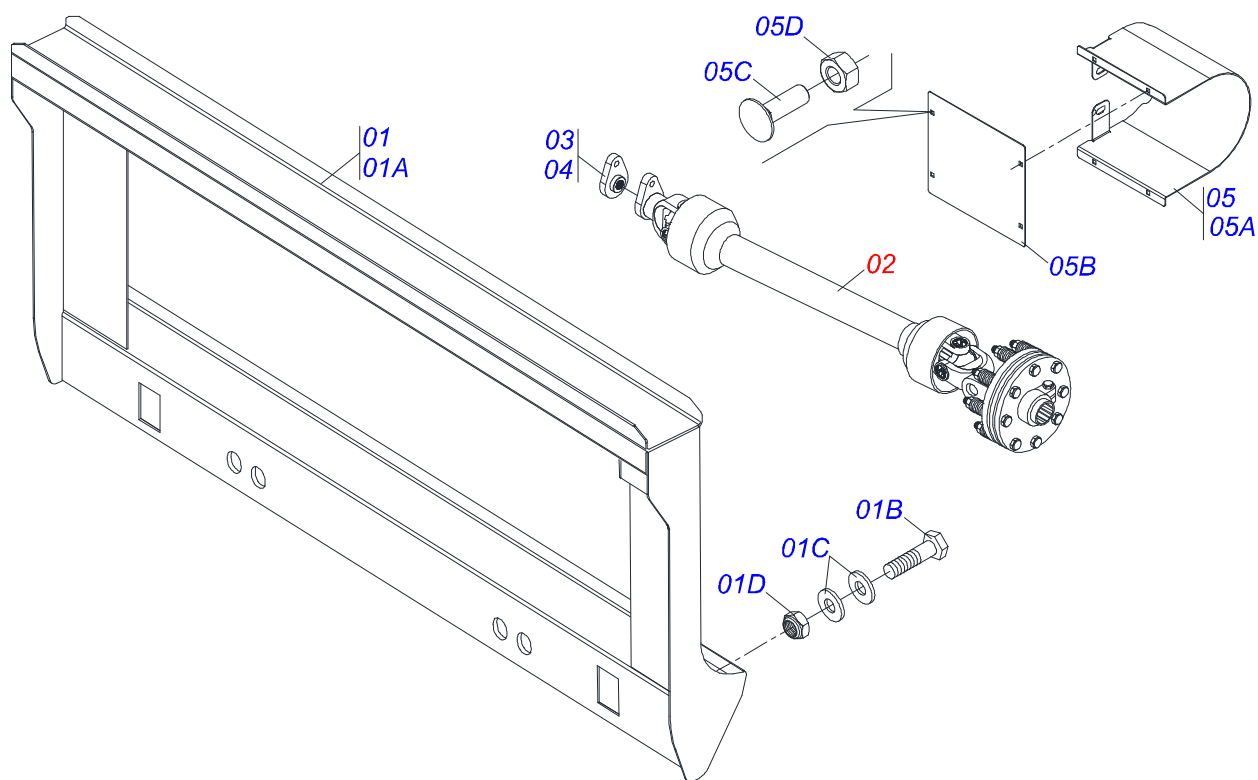
Item	Code	Description	See page	QT
01	0511052275	COUPLING (PMT JD 1165/7500 COMPL)		01
01A	0521060653	COUPLING (PMT HARVESTER JD 1165/7500) ASSY		01
01B	0503010395	1/2" X 1-1/4" BOLT		08
01C	0511017302	FLAT WASHER		16
01D	0503011336	1/2" HEX SELF ADJUSTING NUT		08
02	0501059170	DRIVE SHAFT	35	02
03	0501058860	POINT		02
04	0511047765	POINT KIT		02
05	0511052139	PROTETION COVER CARDAN		01
05A	0561014871	PROTECTION CARDAN PMT S-06009		02
05B	0561014869	PROTECTIVE COVER		02
05C	0503011953	5/16" X 1" BOLT		08
05D	0503013816	5/16" LOCKNUT		08



Item	Code	Description	See page	QT
01	0511052186	COUPLING (PMT JOHN DEERE 9570 STS ASSY)		01
01A	0521060932	COUPLING (JD 9570 STS)ASSY		01
01B	0503010395	1/2" X 1-1/4" BOLT		08
01C	0511017302	FLAT WASHER		16
01D	0503011336	1/2" HEX SELF ADJUSTING NUT		08
02	0501058861	POINT		02
03	0501059170	DRIVE SHAFT	35	02
04	0511047765	POINT KIT		02
05	0511052139	PROTECTION COVER CARDAN		01
05A	0561014871	PROTECTION CARDAN PMT S-06009		02
05B	0561014869	PROTECTIVE COVER		02
05C	0503011953	5/16" X 1" BOLT		08
05D	0503013816	5/16" LOCKNUT		08

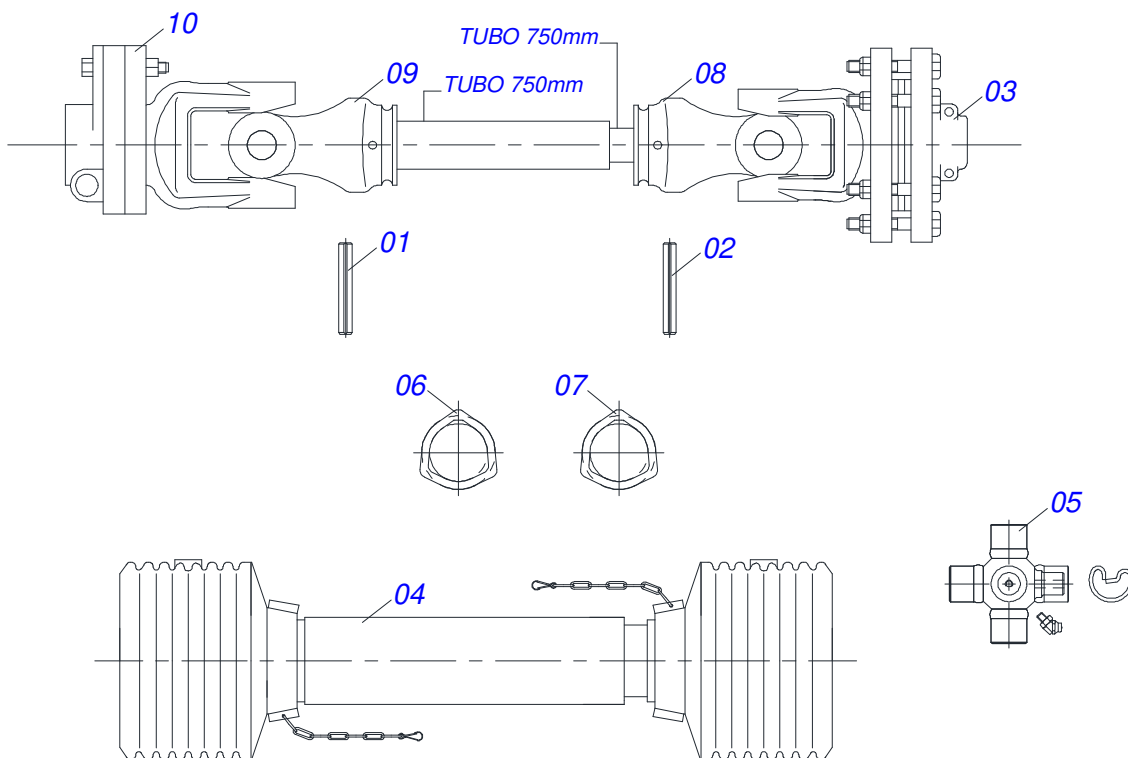


Item	Code	Description	See page	QT
01	0511052232	COUPLING (PMT VALTRA BC6500) ASSY		01
01A	0521062236	COUPLING (VTR BC 6500)ASSY		01
01B	0501010161	1/2" X 1.1/4" BOLT		08
01C	0511017302	FLAT WASHER		16
01D	0503011336	1/2" HEX SELF ADJUSTING NUT		08
02	0501059170	DRIVE SHAFT	35	02
03	0501058861	POINT		02
04	0511047765	POINT KIT		02
05	0511052139	PROTECTION COVER CARDAN		01
05A	0561014871	PROTECTION CARDAN PMT S-06009		01
05B	0561014869	PROTECTIVE COVER		01
05C	0503011952	5/16" X 3/4" BOLT		04
05D	0503013816	5/16" LOCKNUT		04



Item	Code	Description	See page	QT
01	0511052204	COUPLING (PMT VALTRA BC4500)ASSY		01
01A	0521062487	COUPLING (PMT VTR BC 4500)ASSY		01
01B	0503010395	1/2" X 1-1/4" BOLT		08
01C	0511017302	FLAT WASHER		16
01D	0503011336	1/2" HEX SELF ADJUSTING NUT		08
02	0501059170	DRIVE SHAFT	35	02
03	0501058861	POINT		02
04	0511047765	POINT KIT		02
05	0511052139	PROTECTION COVER CARDAN		02
05A	0561014871	PROTECTION CARDAN PMT S-06009		02
05B	0561014869	PROTECTIVE COVER		02
05C	0503011952	5/16" X 3/4" BOLT		08
05D	0503013816	5/16" LOCKNUT		08

DRIVE SHAFT



Item	Code	Description	See page	QT
01	0503015159	10 X 65 SPRING PIN		01
02	0503014073	SPRING PIN		01
03	0503015366	CLUTCH DISC ASSY		01
04	0503015371	PROTECTION ASSY		01
05	0503014059	CROSSPIECE		02
06	0503015367	FEMALE TRIANGULAR TUBE		01
07	0503014326	CABLE PP		11
08	0503015368	TERMINAL W/HOLE TRIAN MALE		01
09	0503015369	FEMALE TRIANGULAR TUBE		01
10	0503015370	TORQUE LIMITER		01



LOWER TRANSMISSION

0909094074

Item	Code	Description	See page	3250/3700/4150/4600/5050/5500/5550/5950/
07A	0501059287	BEARING ASSY		02 02 02 02 02 02 02 02 02
07Aa	0502012625	BEARING SIDE		02 02 02 02 02 02 02 02 02
07Ab	0503010914	6210-RS ROLLER BEARING		08 08 08 08 08 05 08 08 08
07Ac	0503011190	SEAL RING		04 04 04 04 04 04 04 04 04
07Ad	0503010740	BOLT 1/2 UNC X 2 CS G.5 ZN		08 08 08 08 08 08 08 08 08
07Ae	0511017302	FLAT WASHER		44 44 44 44 44 44 44 44 44
07Af	0503011336	1/2" HEX SELF ADJUSTING NUT		22 22 22 22 22 22 22 22 22
07B	0521061443	CONICAL GEAR AXLE		02 02 02 02 02 02 02 02 02
08	0521061098	21Z GEAR		01 01 02 02 02 02 02 02 02
09	0561014481	9,53 X 41 KEYWAY SQUARE		04 04 04 04 04 04 04 04 04
10	0561013946	FLAT WASHER		04 04 04 04 04 04 04 04 04
11	0561015817	31.75 X 395 HEX AXLE		00 00 02 02 02 00 00 00 00
12	0503010027	5/8" SPRING WASHER		04 04 04 04 04 04 04 04 04
13	0503011167	M16 X 2 X 30 BOLT		04 04 04 04 04 04 04 04 04
14	0561017251	SPRING GUIDE BUSHING LOCK		02 02 02 02 02 02 02 02 02
15	0501010161	1/2" X 1.1/4" BOLT		02 02 02 02 02 02 02 02 02
16	0503010060	1/2" NUT		02 02 02 02 02 02 02 02 02
17	0561012760	CONDUTOR SUPPORT SLEEVE		02 02 02 02 02 02 02 02 02
18	0511051675	BEARING MOVED LEFT WITH AXLE		01 01 01 01 01 01 01 01 01
18A	0511050760	BEARING MOVED LEFT		01 01 01 01 01 01 01 01 01
18Aa	0502012638	BEARING LEFT SIDE		01 01 01 01 01 01 01 01 01
18B	0521063685	50 LH SIDE FOLLOWER		01 01 01 01 01 01 01 01 01
18C	0503010372	501050 CLAMPING RING (FOR AXLE)		02 02 02 02 02 02 02 02 02
19	0503011172	BOLT 1/2 UNC X 2.1/2 C S G.5 ZN		04 04 04 04 04 04 04 04 04
20	0511017302	FLAT WASHER		04 04 04 04 04 04 04 04 04
21	0503010019	1/2" SPRING WASHER		04 04 04 04 04 04 04 04 04
22	0503011336	1/2" HEX SELF ADJUSTING NUT		04 04 04 04 04 04 04 04 04
23	0521060937	24Z GEAR		03 03 02 02 02 02 02 02 02
24	0503015359	80-1 CHAIN 81 LINK + REDUCTION + MENDING		02 02 02 02 02 02 02 02 02
25	0511051676	BEARING MOVED RIGHT WITH AXLE		01 01 01 01 01 01 01 01 01
25A	0511050759	BEARING MOVED RIGHT		01 01 01 01 01 01 01 01 01
25Aa	0502012662	BEARING LEFT SIDE		01 01 01 01 01 01 01 01 01
25B	0521063684	50 RH SIDE FOLLOWER		01 01 01 01 01 01 01 01 01
26	0571011064	CHOCK BEARING		01 01 01 01 01 01 01 01 01
27	0511052137	BEARING SUPPORT		00 00 02 02 02 02 02 02 02
27A	0561014870	SUPPORT BEARING		00 00 02 02 02 02 02 02 02
27B	0501010161	1/2" X 1.1/4" BOLT		00 00 04 04 04 04 04 04 04
28	0511050920	BEARING		00 00 02 02 02 02 02 02 02
28A	0502012590	BEARING		00 00 02 02 02 02 02 02 02
28B	0503015144	BEARING		00 00 02 02 02 02 02 02 02
29	0503011082	C1/2" X 1.3/4" SCREW		00 00 06 06 06 06 06 06 06
30	0561012138	TUBE SUPPORT		00 00 02 02 02 02 02 02 02
31	0503010479	BOLT		00 00 02 02 02 02 02 02 02
32	0521010505	13,50 X 19,00 X 21,50 SLEEVE		00 00 02 02 02 02 02 02 02
33	0511052095	BEARING COVER ASSAY		04 04 04 04 04 04 04 04 04
33A	0561014068	BEARING COVER		04 04 04 04 04 04 04 04 04
33B	0503010395	1/2" X 1-1/4" BOLT		08 08 08 08 08 08 08 08 08
34	0561015816	31.75 X 235 HEX AXLE		01 01 00 00 00 00 00 00 00
35	0561015815	31.75 X 175 HEX AXLE		01 01 00 00 00 00 00 00 00
36	0561015818	31.75 X 835 HEX AXLE		00 00 00 00 00 01 01 00 00
37	0561015819	31.75 X 1060 HEX AXLE		00 00 00 00 00 00 00 01 01
38	0561015820	31.75 X 1340 HEX AXLE		00 00 00 00 00 00 00 00 00
39	0561015821	31.75 X 1435 HEX AXLE		00 00 00 00 00 00 00 00 00
40	0561015822	31.75 X 1560 HEX AXLE		00 00 00 00 00 00 00 00 00
41	0561015823	31.75 X 1865 HEX AXLE		00 00 00 00 00 00 00 00 00
42	0561014962	60 X 42 X 420 PVC TUBE		00 00 00 00 00 02 02 00 00
43	0561015602	Ø 60 X Ø 53 X 645 PVC TUBE		00 00 00 00 00 00 00 02 02
44	0561015603	Ø 60 X Ø 53 X 645 PVC TUBE		00 00 00 00 00 00 00 00 00
45	0561015604	Ø 60 X Ø 53 X 1020 PVC TUBE		00 00 00 00 00 00 00 00 00



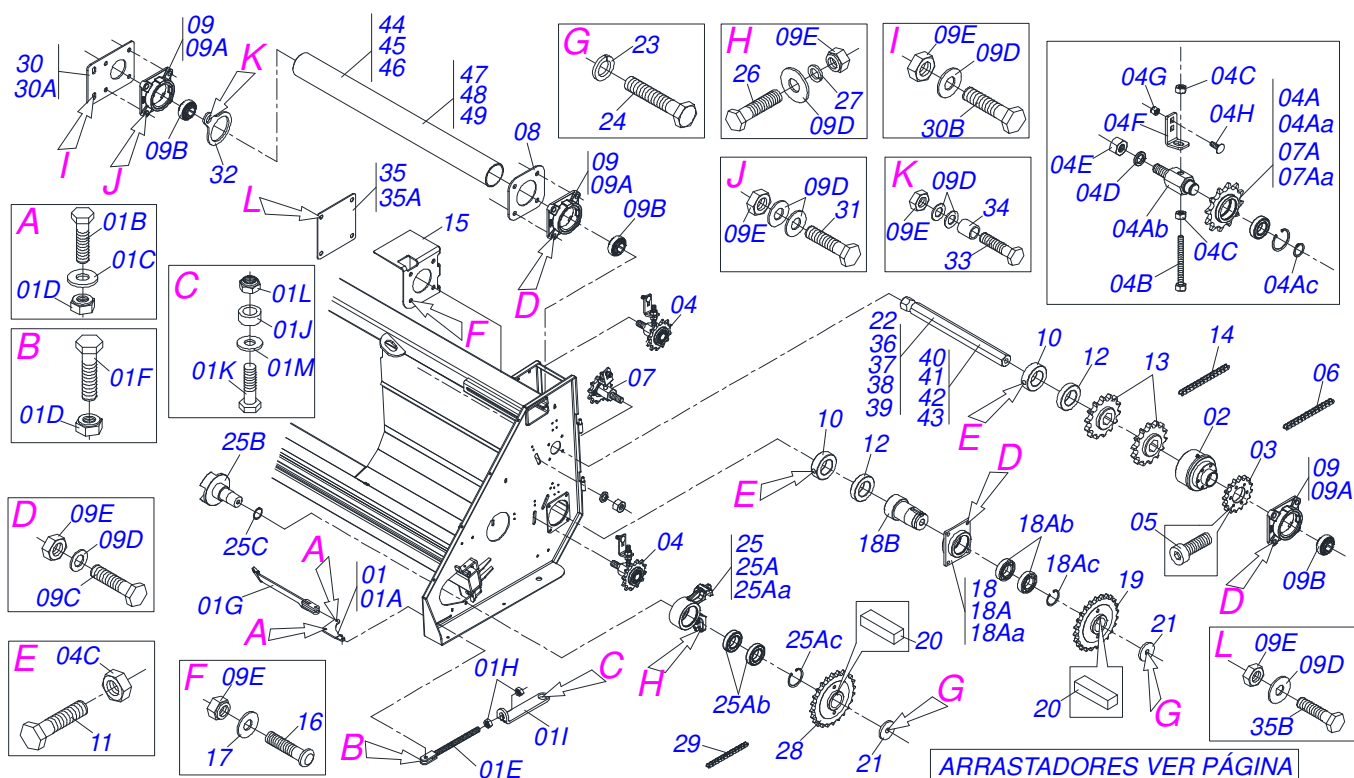
LOWER TRANSMISSION

0909094074

Item	Code	Description	See page	3250/3700/4150/4600/5050/5500/5550/5950/
46	0561015605	Ø 60 X Ø 53 X 1145 PVC TUBE		00 00 00 00 00 00 00 00 00
47	0561015606	Ø 60 X Ø 53 X 1445 PVC TUBE		00 00 00 00 00 00 00 00 00

UPPER TRANSMISSION

0909094075



Item	Code	Description	See page	3250/3700/4150/4600/5050/5500/5550/5950/
01	0561010927	EAR PIVOT	01	01 01 01 01 01 01 01 01 01 01
01A	0561010927	EAR PIVOT	01	01 01 01 01 01 01 01 01 01 01
01B	0503015113	M10 X 1,5 X 45 BOLT	02	02 02 02 02 02 02 02 02 02 02
01C	0501013518	FLAT WASHER	04	04 04 04 04 04 04 04 04 04 04
01D	0503011841	M10 SELF ADJUSTING NUT	03	03 03 03 03 03 03 03 03 03 03
01E	0521060220	R.5/8 UNCJACK	01	01 01 01 01 01 01 01 01 01 01
01F	0503015112	M10 X 1,5 X 30 BOLT	01	01 01 01 01 01 01 01 01 01 01
01G	0521060224	OFFSET BAR	01	01 01 01 01 01 01 01 01 01 01
01H	0503010013	5/8" NUT	02	02 02 02 02 02 02 02 02 02 02
01I	0561014157	REGULATOR JACK FIXER	01	01 01 01 01 01 01 01 01 01 01
01J	0561014158	25 X 13,2 X 9 SLEEVE	01	01 01 01 01 01 01 01 01 01 01
01K	0503010920	1/2" X 1.1/2" BOLT	01	01 01 01 01 01 01 01 01 01 01
01L	0503011336	1/2" HEX SELF ADJUSTING NUT	01	01 01 01 01 01 01 01 01 01 01
01M	0511017302	FLAT WASHER	01	01 01 01 01 01 01 01 01 01 01
02	0503015139	TORQUE LIMITER	01	01 01 01 01 01 01 01 01 01 01
03	0502012706	16Z GEAR	01	01 01 01 01 01 01 01 01 01 01
04	0521040684	CHAIN TENSIONER	02	02 02 02 02 02 02 02 02 02 02
04A	0511051680	CHAIN TENSIONER	02	02 02 02 02 02 02 02 02 02 02
04Aa	0501110689	12Z GEAR	02	02 02 02 02 02 02 02 02 02 02
04Ab	0571010224	AXLE BODY TENSIONER	02	02 02 02 02 02 02 02 02 02 02
04Ac	0503010406	501025 CLAMPING RING (FOR AXLE)	02	02 02 02 02 02 02 02 02 02 02
04B	0521060237	CHAIN TENSIONER JACK	03	03 03 03 03 03 03 03 03 03 03
04C	0503010060	1/2" NUT	10	10 10 09 09 09 09 09 09 09 09
04D	0503010023	3/4" SPRING WASHER	03	03 03 03 03 03 03 03 03 03 03
04E	0503010014	3/4" NUT	03	03 03 03 03 03 03 03 03 03 03
04F	0561014066	CHAIN TENSIONER SUPPORT	03	03 03 03 03 03 03 03 03 03 03
04G	0503013357	3/8" SELF-ADJUSTING NUT	03	03 03 03 03 03 03 03 03 03 03
04H	0501011643	3/8 X 1" BOLT	03	03 03 03 03 03 03 03 03 03 03
05	0503015162	M 8 X 1,25 X 20 BOLT	06	06 06 06 06 06 06 06 06 06 06
06	0503016446	60.1 CHAIN 79 LINK + MENDING	01	01 01 01 01 01 01 01 01 01 01
07	0521040683	CHAIN TENSIONER	01	01 01 01 01 01 01 01 01 01 01



UPPER TRANSMISSION

0909094075

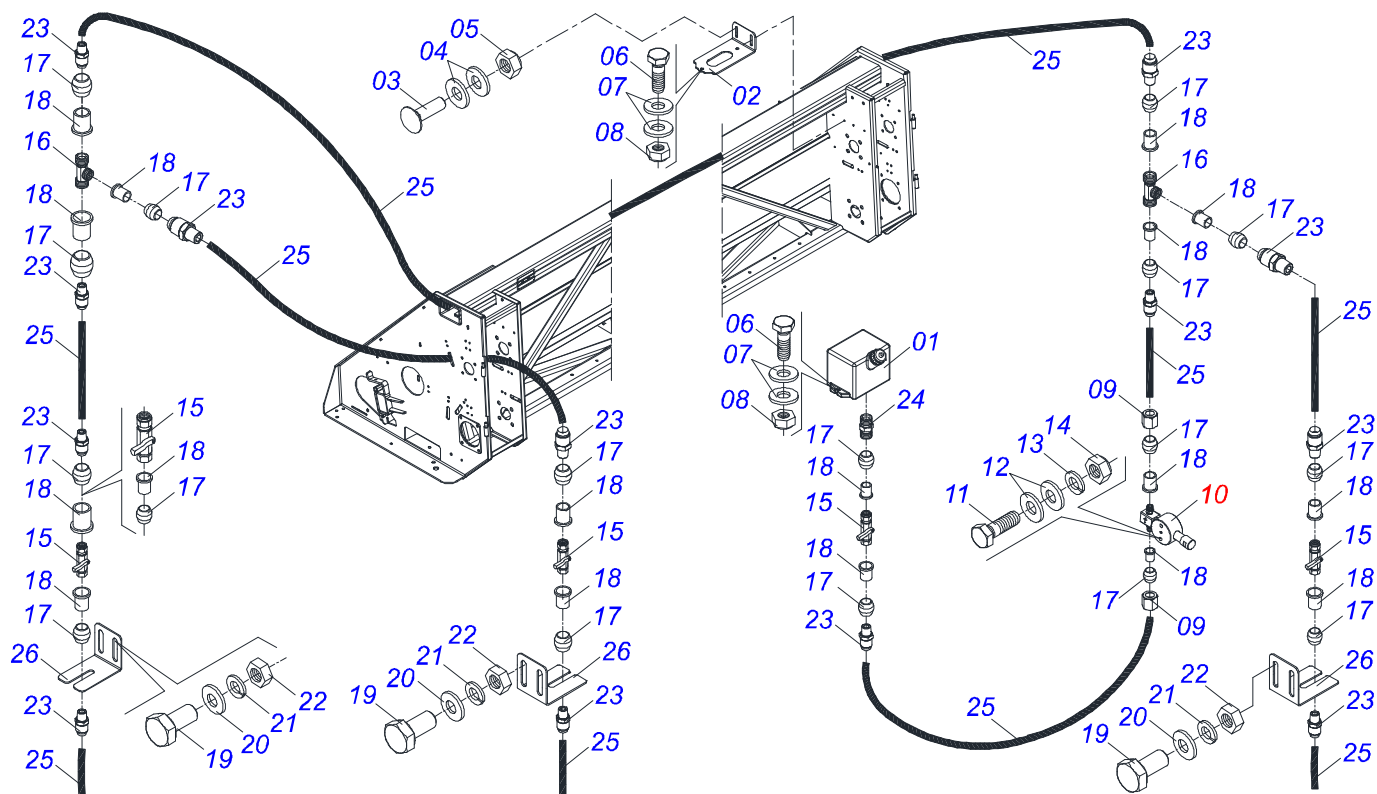
Item	Code	Description	See page	3250/3700/4150/4600/5050/5500/5550/5950/
07A	0511051679	CHAIN TENSIONER		01 01 01 01 01 01 01 01 01 01
08	0561011114	BEARING SUPPORT		01 01 01 01 01 01 01 01 01 01
09	0511050920	BEARING		03 03 03 03 03 03 03 03 03 03
09A	0502012590	BEARING		03 03 03 03 03 03 03 03 03 03
09B	0503015144	BEARING		03 03 03 03 03 03 03 03 03 03
09C	0503010740	BOLT 1/2 UNC X 2 CS G.5 ZN		12 12 12 12 12 12 12 12 12 12
09D	0511017302	FLAT WASHER		36 36 36 36 36 36 36 36 36 36
09E	0503011336	1/2" HEX SELF ADJUSTING NUT		32 32 32 32 32 32 32 32 32 32
10	0561017251	SPRING GUIDE BUSHING LOCK		04 04 03 03 03 03 03 03 03 03
11	0501010161	1/2" X 1.1/4" BOLT		04 04 03 03 03 03 03 03 03 03
12	0561012760	CONDUTOR SUPPORT SLEEVE		04 04 03 03 03 03 03 03 03 03
13	0521060517	14Z GEAR		02 02 02 02 02 02 02 02 02 02
14	0503016450	80-1 CHAIN X 45 LINK + MENDING		01 01 01 01 01 01 01 01 01 01
15	0571013043	BEARING SUPPORT		01 01 01 01 01 01 01 01 01 01
16	0501011194	1/2" X 1-3/4" BOLT		04 04 04 04 04 04 04 04 04 04
17	0501013519	FLAT WASHER		04 04 04 04 04 04 04 04 04 04
18	0511048188	MOTOR AXLE BEARING		01 01 01 01 01 01 01 01 01 01
18A	0501059287	BEARING ASSY		01 01 01 01 01 01 01 01 01 01
18Aa	0502012625	BEARING SIDE		01 01 01 01 01 01 01 01 01 01
18Ab	0503010914	6210-RS ROLLER BEARING		04 04 04 04 04 04 04 04 04 04
18Ac	0503011190	SEAL RING		02 02 02 02 02 02 02 02 02 02
18B	0521061443	CONICAL GEAR AXLE		01 01 01 01 01 01 01 01 01 01
19	0521061098	21Z GEAR		01 01 01 01 01 01 01 01 01 01
20	0561014481	9,53 X 41 KEYWAY SQUARE		03 03 02 02 02 02 02 02 02 02
21	0561013946	FLAT WASHER		03 03 02 02 02 02 02 02 02 02
22	0561015817	31.75 X 395 HEX AXLE		00 00 01 01 01 00 00 00 00 00
23	0503010027	5/8" SPRING WASHER		02 02 02 02 02 02 02 02 02 02
24	0503011167	M16 X 2 X 30 BOLT		03 03 02 02 02 02 02 02 02 02
25	0511051675	BEARING MOVED LEFT WITH AXLE		01 01 01 01 01 01 01 01 01 01
25A	0511050760	BEARING MOVED LEFT		01 01 01 01 01 01 01 01 01 01
25Aa	0502012638	BEARING LEFT SIDE		01 01 01 01 01 01 01 01 01 01
25B	0521063685	50 LH SIDE FOLLOWER		01 01 01 01 01 01 01 01 01 01
25C	0503010372	501050 CLAMPING RING (FOR AXLE)		02 02 02 02 02 02 02 02 02 02
26	0503011172	BOLT 1/2 UNC X 2.1/2 C S G.5 ZN		02 02 02 02 02 02 02 02 02 02
27	0503010019	1/2" SPRING WASHER		02 02 02 02 02 02 02 02 02 02
28	0521060937	24Z GEAR		02 02 01 01 01 01 01 01 01 01
29	0503015359	80-1 CHAIN 81 LINK + REDUCTION + MENDING		01 01 01 01 01 01 01 01 01 01
30	0511052137	BEARING SUPPORT		00 00 01 01 01 01 01 01 01 01
30A	0561014870	SUPPORT BEARING		00 00 01 01 01 01 01 01 01 01
30B	0501010161	1/2" X 1.1/4" BOLT		00 00 02 02 02 02 02 02 02 02
31	0503011082	C1/2" X 1.3/4" SCREW		00 00 03 03 03 03 03 03 03 03
32	0561012138	TUBE SUPPORT		00 00 01 01 01 01 01 01 01 01
33	0503010479	BOLT		00 00 02 02 02 02 02 02 02 02
34	0521010505	13,50 X 19,00 X 21,50 SLEEVE		01 01 01 01 01 01 01 01 01 01
35	0511052095	BEARING COVER ASSAY		04 04 04 04 04 04 04 04 04 04
35A	0561014068	BEARING COVER		04 04 04 04 04 04 04 04 04 04
35B	0503010395	1/2" X 1-1/4" BOLT		08 08 08 08 08 08 08 08 08 08
36	0561015816	31.75 X 235 HEX AXLE		01 01 00 00 00 00 00 00 00 00
37	0561015815	31.75 X 175 HEX AXLE		01 01 00 00 00 00 00 00 00 00
38	0561015818	31.75 X 835 HEX AXLE		00 00 00 00 00 01 01 00 00 00
39	0561015819	31.75 X 1060 HEX AXLE		00 00 00 00 00 00 00 01 01 00
40	0561015820	31.75 X 1340 HEX AXLE		00 00 00 00 00 00 00 00 00 01
41	0561015821	31.75 X 1435 HEX AXLE		00 00 00 00 00 00 00 00 00 00
42	0561015822	31.75 X 1560 HEX AXLE		00 00 00 00 00 00 00 00 00 00
43	0561015823	31.75 X 1865 HEX AXLE		00 00 00 00 00 00 00 00 00 00
44	0561014962	60 X 42 X 420 PVC TUBE		00 00 00 00 00 01 01 00 00 00
45	0561015602	Ø 60 X Ø 53 X 645 PVC TUBE		00 00 00 00 00 00 00 01 01 00
46	0561015603	Ø 60 X Ø 53 X 645 PVC TUBE		00 00 00 00 00 00 00 00 00 01
47	0561015604	Ø 60 X Ø 53 X 1020 PVC TUBE		00 00 00 00 00 00 00 00 00 00



UPPER TRANSMISSION

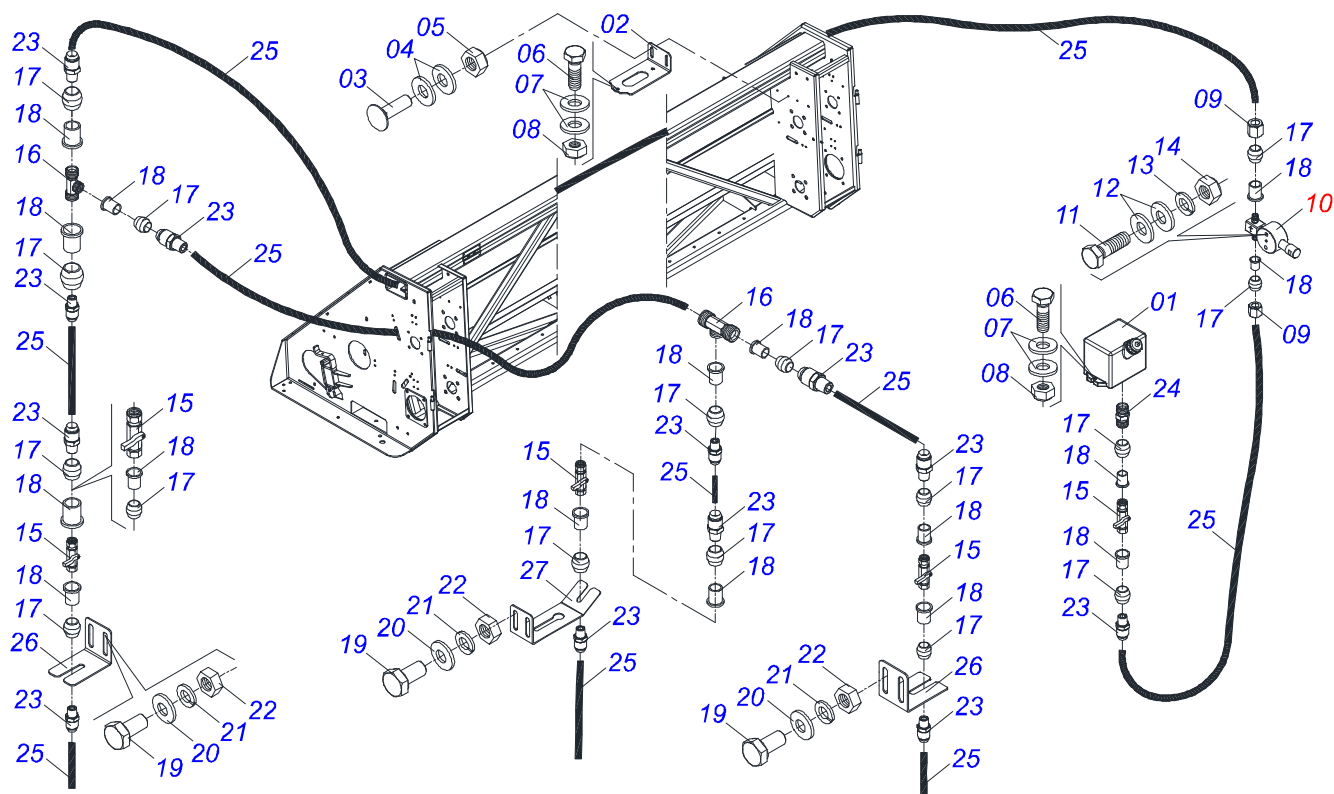
0909094075

Item	Code	Description	See page	3250/3700/4150/4600/5050/5500/5550/5950/
48	0561015605	Ø 60 X Ø 53 X 1145 PVC TUBE		00 00 00 00 00 00 00 00 00 00
49	0561015606	Ø 60 X Ø 53 X 1445 PVC TUBE		00 00 00 00 00 00 00 00 00 00



Item	Code	Description	See page	QT
00	0501059230	CURRENT LUBRICATION SYSTEM		01
01	0503061854	OIL RESERVOIR		01
02	0571010227	RESERVOIR SUPPORT		01
03	0501010942	3/8" X 1-1/4" BOLT		02
04	0501010984	FLAT WASHER		02
05	0503013357	3/8" SELF-ADJUSTING NUT		02
06	0503010365	NUT		02
07	0521011039	FLAT WASHER		04
08	0503013816	5/16" LOCKNUT		02
09	0503015060	CONNECTOR		02
10	0511052730	PUMP		01
11	0503011194	BOLT 1/4 UNC X 2.1/2 CS G.2 ZN		02
12	0511017303	FLAT WASHER		04
13	0503010143	1/4" SPRING WASHER		02
14	0503010144	1/4" NUT		02
15	0503015057	CONTROL COCK		04
16	0503015058	COUPLING TE		04
17	0503015059	PIPE ADAPTER		16
18	0503015129	RING IDENTIFICATION		16
19	0503011812	BOLT M6 X 1 X 12 CS 8.8 ZN		02
20	0503010305	FLAT WASHER		04
21	0503015110	M06 SPRING WASHER		02
22	0503014540	M6 NUT		02
23	0503015177	CONNECTOR MALE		13
24	0561014331	R.1/4 NPT X 35 NIPPLE		01
25	0503015062	TUBE		15
26	0561011218	LUBRICATION SUPPORT		03

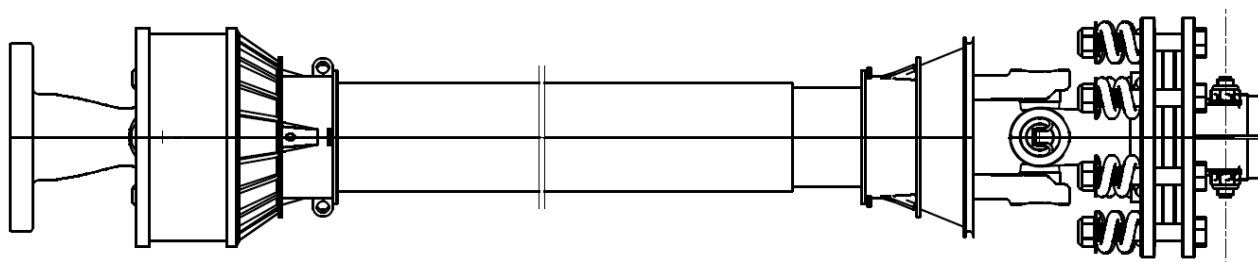
LUBRIFICATION SYSTEM TOP



Item	Code	Description	See page	QT
00	0501059230	CURRENT LUBRICATION SYSTEM		01
01	0503061854	OIL RESERVOIR		01
02	0571010227	RESERVOIR SUPPORT		01
03	0501010942	3/8" X 1-1/4" BOLT		02
04	0501010984	FLAT WASHER		02
05	0503013357	3/8" SELF-ADJUSTING NUT		02
06	0503010365	NUT		02
07	0521011039	FLAT WASHER		04
08	0503013816	5/16" LOCKNUT		02
09	0503015060	CONNECTOR		02
10	0511052730	PUMP		01
11	0503011194	BOLT 1/4 UNC X 2.1/2 CS G.2 ZN		02
12	0511017303	FLAT WASHER		04
13	0503010143	1/4" SPRING WASHER		02
14	0503010144	1/4" NUT		02
15	0503015057	CONTROL COCK		04
16	0503015058	COUPLING TE		04
17	0503015059	PIPE ADAPTER		16
18	0503015129	RING IDENTIFICATION		16
19	0503011812	BOLT M6 X 1 X 12 CS 8.8 ZN		02
20	0503010305	FLAT WASHER		04
21	0503015110	M06 SPRING WASHER		02
22	0503014540	M6 NUT		02
23	0503015177	CONNECTOR MALE		13
24	0561014331	R.1/4 NPT X 35 NIPPLE		01
25	0503015062	TUBE		15
26	0561011218	LUBRICATION SUPPORT		03
27	0561014069	SUPPORT LUBRICATION		01

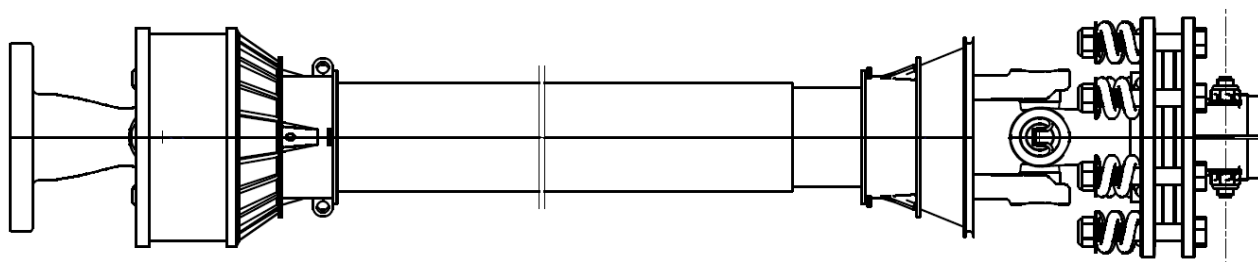
DRIVE SHAFT

0511047824



Item	Code	Description	See page	QT
01	0511047824	DRIVE SHAFT	40	01

DRIVE SHAFT



Item	Code	Description	See page	QT
01	0503015159	10 X 65 SPRING PIN		01
02	0503014073	SPRING PIN		01
03	0503015366	CLUTCH DISC ASSY		01
04	0503015371	PROTECTION ASSY		01
05	0503014059	CROSSPIECE		02
06	0503015367	FEMALE TRIANGULAR TUBE		01
07	0503015368	TERMINAL W/HOLE TRIAN MALE		01
08	0503015369	FEMALE TRIANGULAR TUBE		01
09	0503015370	TORQUE LIMITER		01



ANNOTATION





MARCHESAN

Technical Publications | Elaboration and Revision

JOSÉ DOMINGOS GASPARI

www.marchesan.com.br

