

ROTARY CUTTERS

RO2 1700

Code: 0501090999
Series: S-0214
Revision: 00
Date Revision: JULHO/2021

PARTS CATALOGUE



MARCHESAN



PRODUCTS

Code	Description
0104100042	RO2 1700 C/R C/4ROCS/PROT EXP S0214
0104100043	RO2 1700 C/R S/PROT EXP S-0214
0104100044	RO2 1700 S/R S/PROT EXP S-0214

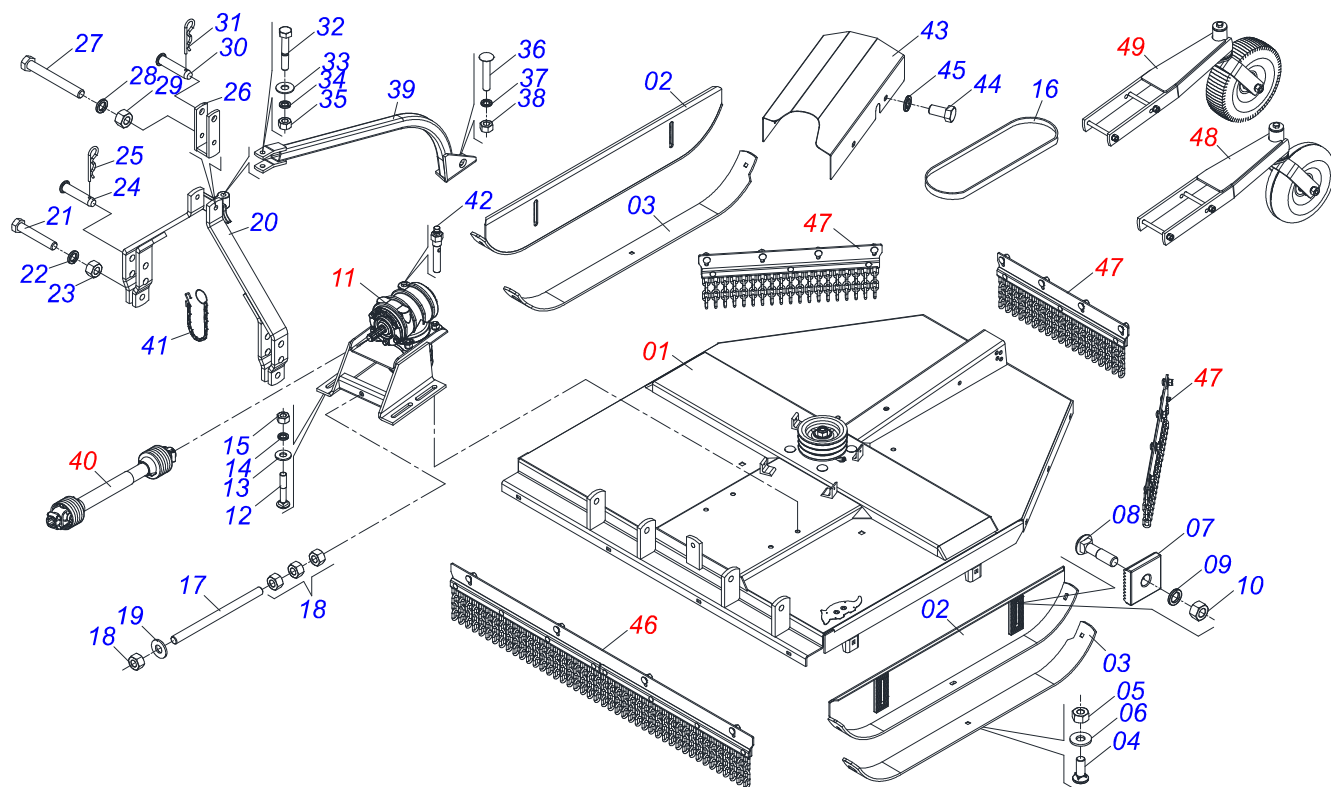
ATTENTION: IMPORTANT

Marchesan S.A. reserves the right to improve and / or modify the technical features of its products, without obligation to do the same with those products already sold and without prior knowledge of the dealer or the consumer.



INDEX

0909091672	FRAME ASSY	1
0511056723	SEMIFINISHED FRAME	2
0511056721	SEMIFINISHED FRAME	3
0501050966	MULTIPLIER ASSY	4
0511058384	MULTIPLIER WITH SUPPORT	5
0501046851	MULTIPLIER	6
0511043567	ROTARY CUTTERS HUB ASSY	7
0501056337	SUPPORT	8
0501057231	CUTTER SUPPORT WITH 04 CUTTERS	9
0501047946	DRIVE SHAFT	10
0511056658	CHAIN PROTECTION	11
0511056655	CHAIN PROTECTION	12
0511047301	CARRYING WHEELS ASSY	13
0501043642	RUBBER WHEEL ASSY	14

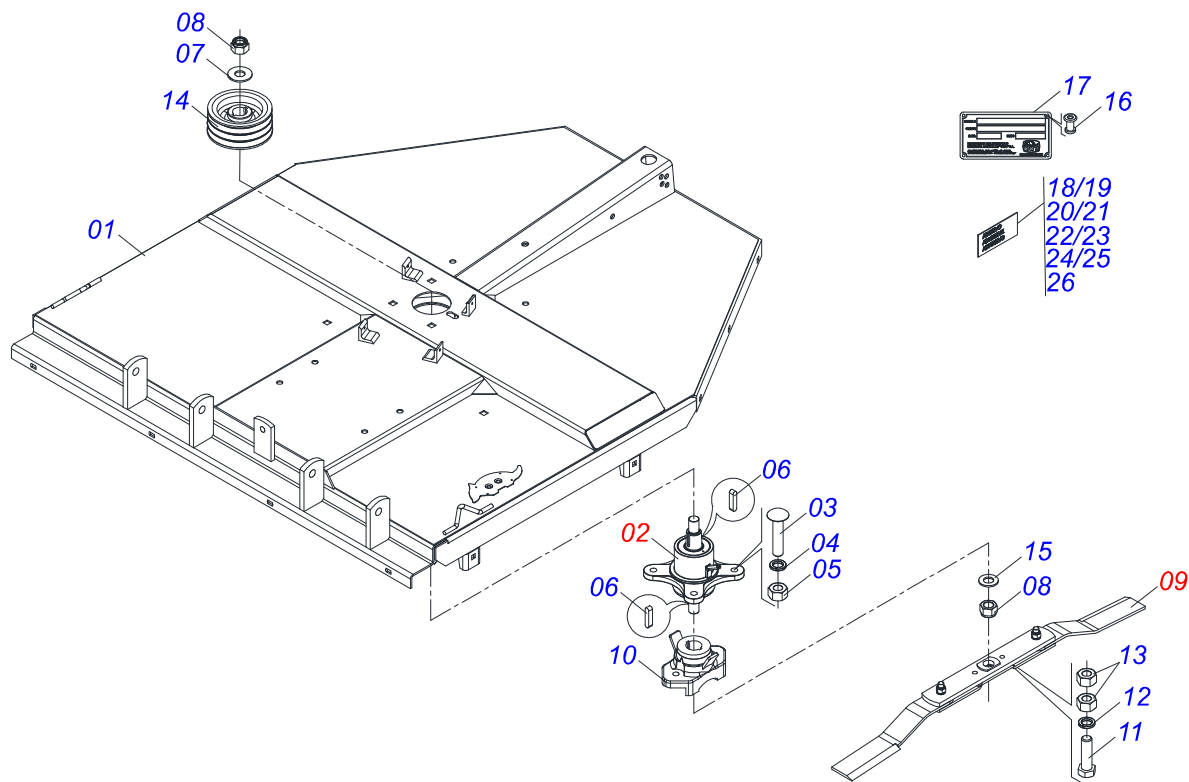


Item	Code	Description	See page	QT
01	0511056723	SEMI-FINISHED FRAME	2	01
02	0521066191	SKATE 1270		02
02.	0511064762	50"SKATE		01
03	0531019433	SKID GUIDE		02
04	0503012956	1/2" X 1-1/2" BOLT		06
05	0503010020	1/2"NUT		06
06	0511017302	FLAT WASHER		06
07	0502010083	SQUARE WASHER		04
08	0501014177	5/8" X 2-1/2" BOLT		04
09	0503010027	5/8" SPRING WASHER		04
10	0503010013	5/8" NUT		04
11	0501050966	MULTIPLIER ASSY	4	01
11.	0511058384	MULTIPLIER WITH SUPPORT	5	01
12	0501010162	3/4" X 4" BOLT		04
13	0501010322	FLAT WASHER		04
14	0503010023	3/4" SPRING WASHER		04
15	0503010014	3/4" NUT		04
16	0503010153	C-51 BELT		03
17	0501016413	362 TENSIONER BODY		01
18	0503010014	3/4" NUT		04
19	0501010322	FLAT WASHER		01
20	0501067832	DRAWBAR		01
21	0503011432	BOLT		02
22	0503010012	1" SPRING WASHER		02
23	0501010059	1.5/8 NUT		02
24	0521010596	COUPLING SHAFT		02
25	0503031035	HAIR PIN		02
26	0501066445	PIVOT DOUBLE BAR		01
26.	1902040922	ROTARY COTTERS HEAD SUPPLEMENT		01
27	0503011198	C3/4" X 6" SCREW		01
28	0503010023	3/4" SPRING WASHER		01

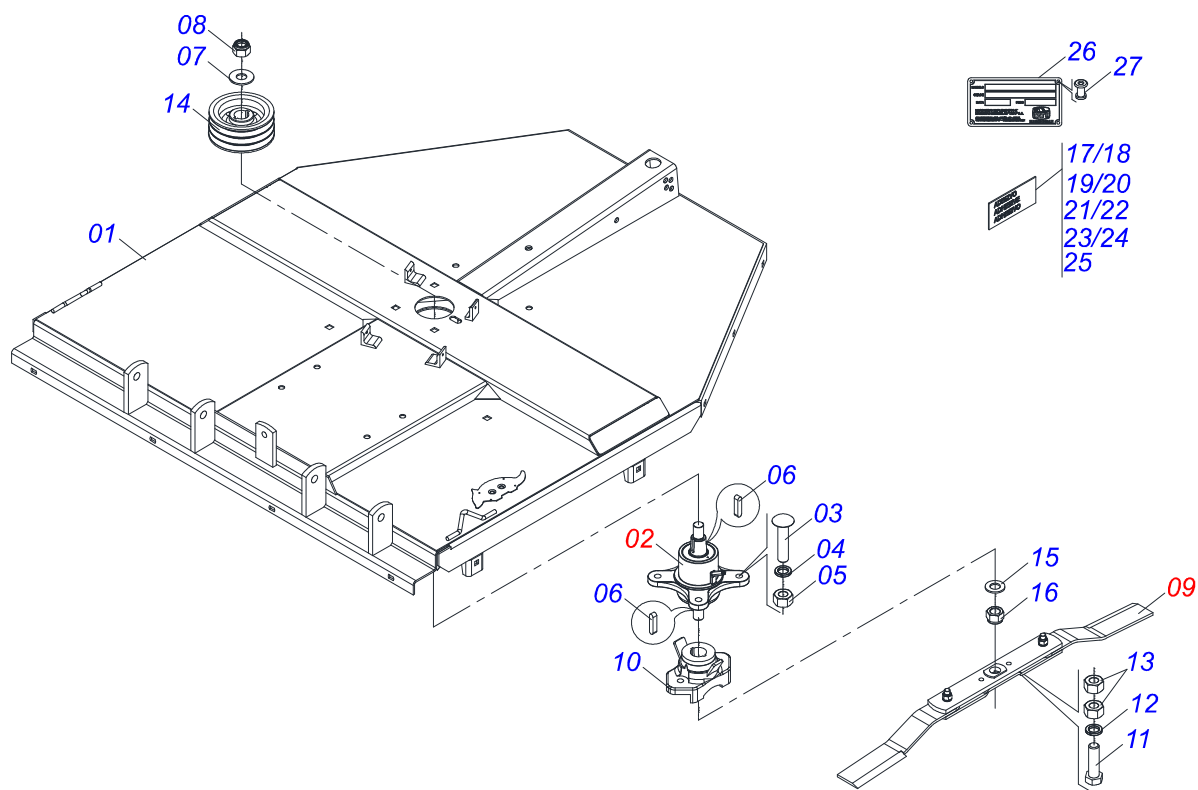


RO2 1700
FRAME ASSY

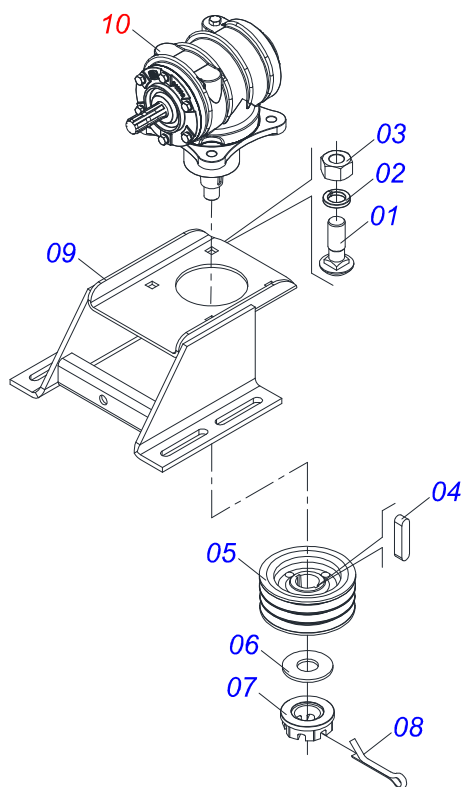
Item	Code	Description	See page	QT
29	0503010014	3/4" NUT		01
30	0521010578	COUPLING SHAFT		01
31	0503031035	HAIR PIN		01
32	0501010216	3/4" X 4-1/2" BOLT		01
33	0501010322	FLAT WASHER		01
34	0503010023	3/4" SPRING WASHER		01
35	0503010014	3/4" NUT		01
36	0501017305	3/4" X 2-1/4" BOLT		01
37	0503010023	3/4" SPRING WASHER		01
38	0503010014	3/4" NUT		01
39	0521065849	ATTACHMENT BAR		01
40	0501047946	DRIVE SHAFT	10	01
41	0503011981	17.7" CHAIN WITH HOOK/LINK		01
42	0501110186	OIL SMALLER LEVEL INDICATOR		01
43	0521066331	PROTECTION COVER OF THE BELT		01
44	0503010256	3/8" X 3/4" BOLT		04
45	0503010025	3/8" SPRING WASHER		04
46	0511056658	CHAIN PROTECTION	11	01
47	0511056655	CHAIN PROTECTION	12	03
48	0511047301	CARRYING WHEELS ASSY	13	01
49	0501043642	RUBBER WHEEL ASSY	14	01



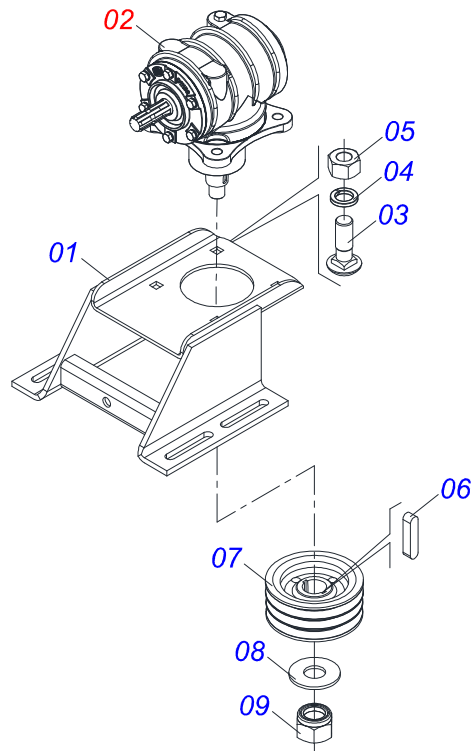
Item	Code	Description	See page	QT
01	0521065600	FRAME		01
02	0511043567	ROTARY CUTTERS HUB ASSY	7	01
03	0503013122	3/4 UNC X 4.1/4 CAPQ G.5 ZNBOLT		04
04	0503011442	3/4" SPRING WASHER		04
05	0503010014	3/4" NUT		04
06	0501010536	KEYWAY SQUARE		02
07	0561015762	FLAT WASHER		01
08	0503010817	1.1/4" SELF LOCKING NUT		02
09	0501056337	SUPPORT	8	01
10	0502012453	SUPPORT FLANGE		01
11	0503011328	3/4" X 4" BOLT		02
12	0503011442	3/4" SPRING WASHER		02
13	0503010014	3/4" NUT		04
14	0502011377	REEL 190 X 50 PULLEY		01
15	0501017779	32 X 60 X 4.75 FLAT WASHER		01
16	0503034003	SERIAL NUMBER TAG 61 X 118		01
17	0503010001	3.2 X 5.5 RIVET		04
18	0503031427	ADHESIVE LABEL		01
19	0503031428	READ MANUAL DECAL		01
20	0503031929	ADHESIVE LABEL		01
21	0503031930	ADHESIVE LABEL		01
22	0503031931	ADHESIVE LABEL		01
23	0503032949	ADHESIVE LABEL		01
24	0503034078	LIFTING POINTS DECAL		01
25	0503034333	ADHESIVE LABEL		01
26	0503034451	ADHESIVE LABEL		01



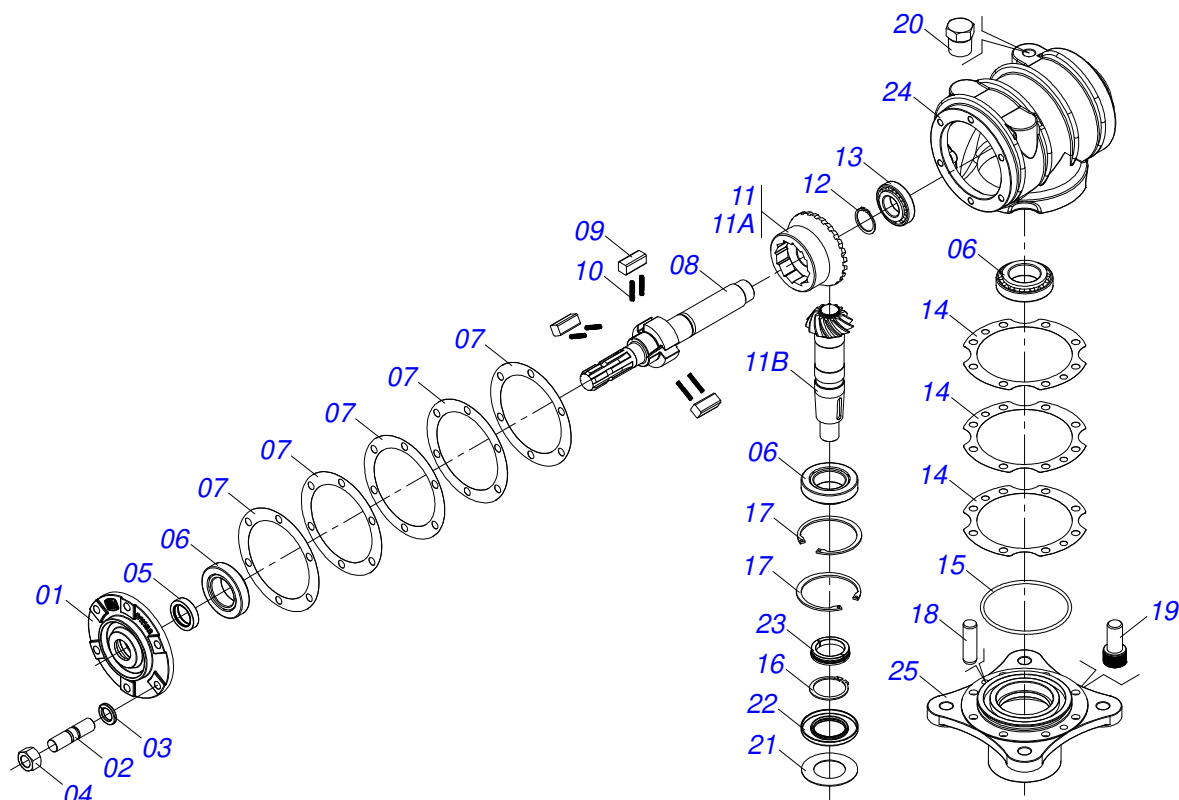
Item	Code	Description	See page	QT
01	0521065600	FRAME		01
02	0511043567	ROTARY CUTTERS HUB ASSY	7	01
03	0503013122	3/4 UNC X 4.1/4 CAPQ G.5 ZNBOLT		04
04	0503011442	3/4" SPRING WASHER		04
05	0503010014	3/4" NUT		04
06	0501010536	KEYWAY SQUARE		04
07	0561015762	FLAT WASHER		01
08	0503010817	1.1/4" SELF LOCKING NUT		01
09	0501056337	SUPPORT	8	01
10	0502012453	SUPPORT FLANGE		01
11	0503011328	3/4" X 4" BOLT		02
12	0503011442	3/4" SPRING WASHER		02
13	0503010014	3/4" NUT		04
14	0502011377	REEL 190 X 50 PULLEY		01
15	0501017779	32 X 60 X 4.75 FLAT WASHER		01
16	0503010817	1.1/4" SELF LOCKING NUT		01
17	0503031931	ADHESIVE LABEL		02
18	0503031930	ADHESIVE LABEL		01
19	0503031087	ADHESIVE LABEL		01
20	0503031929	ADHESIVE LABEL		01
21	0503031428	READ MANUAL DECAL		01
22	0503031427	ADHESIVE LABEL		01
23	0503031127	ADHESIVE LABEL		01
24	0503060902			01
25	0503032949	ADHESIVE LABEL		01
26	0503034003	SERIAL NUMBER TAG 61 X 118		01
27	0503010001	3.2 X 5.5 RIVET		04



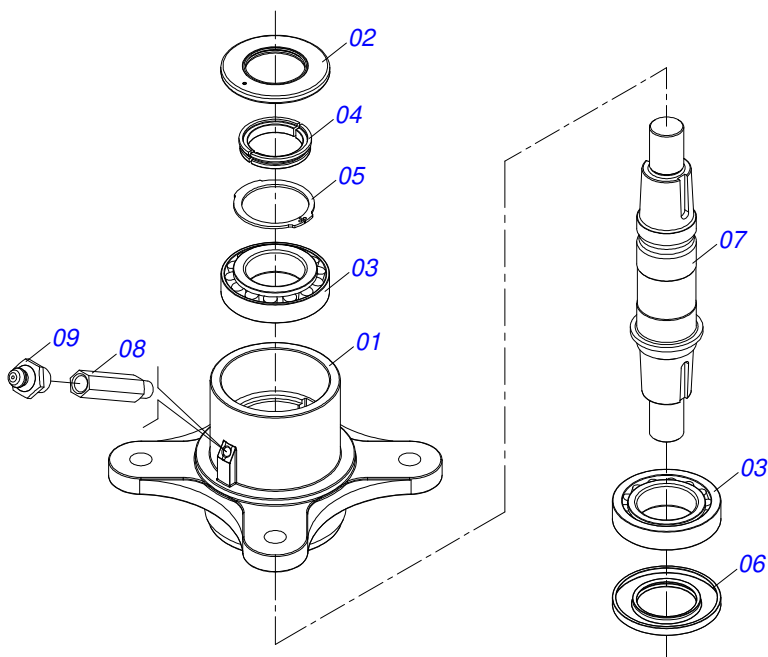
Item	Code	Description	See page	QT
01	0501017305	3/4" X 2-1/4" BOLT		04
02	0503011442	3/4" SPRING WASHER		04
03	0503010014	3/4" NUT		04
04	0501010536	KEYWAY SQUARE		02
05	0502011377	REEL 190 X 50 PULLEY		01
06	0561015762	FLAT WASHER		01
07	0503011052	1.1/4" X 0.77" CASTLE NUT		01
08	0503010131	3/16" X 1-1/2" COTTERPIN		01
09	0501067539	MULTIPLIER SUPPORT		01
10	0501046851	MULTIPLIER	6	01



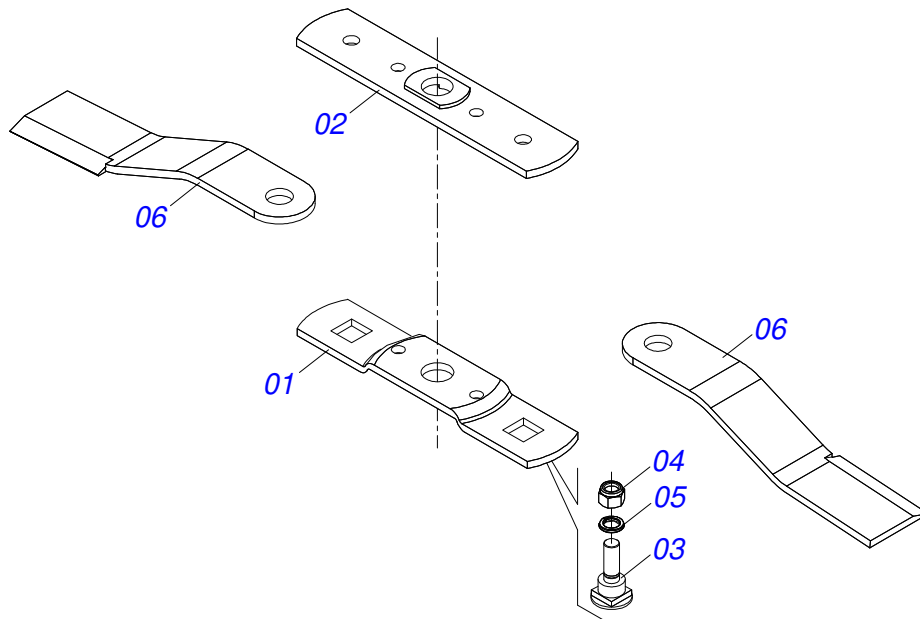
Item	Code	Description	See page	QT
01	0501067539	MULTIPLIER SUPPORT		01
02	0501046851	MULTIPLIER	6	01
03	0501017305	3/4" X 2-1/4" BOLT		04
04	0503011442	3/4" SPRING WASHER		04
05	0503010014	3/4" NUT		04
06	0501010536	KEYWAY SQUARE		02
07	0502011377	REEL 190 X 50 PULLEY		01
08	0561015762	FLAT WASHER		01
09	0503010817	1.1/4" SELF LOCKING NUT		01



Item	Code	Description	See page	QT
01	0502011152	SMALLER COVER		01
02	0503030084	1/2" X 1/2" X 2.0" STUD		06
03	0503011440	SPRING WASHER		06
04	0503010028	1/2" NUT		06
05	0503011171	00912-BRG SEAL		01
06	0503010006	32210 ROLLER BEARING		03
07	0503030783	7.1" X 5.3" X 0.008" JOINT		05
08	0503050063	UPPER AXLE		01
09	0501010649	RATCHET CLICK		03
10	0503030051	0.2" X 1" X 0.1" COMPRESSION SPRING		06
11	0503060210	CROWN PINION SET		01
11A	0503050074	25Z CONICAL GEAR		01
11B	0503061048	PINION		01
12	0503010217	501040 CLAMPING RING (FOR AXLE)		01
13	0503010037	30207 ROLLER BEARING		01
14	0503030785	7.9" X 5.9" X 0.008" JOINT		03
15	0503010286	2-355 N 3006-9B O'RING		01
16	0503010396	501060 CLAMPING RING (FOR AXLE)		01
17	0503011190	SEAL RING		02
18	0503017877	PIN GUIDE		02
19	0503010562	1/2" X 1" BOLT		08
20	0503031604	1/2" BSP PLUG		01
21	0521018064	FLAT WASHER		01
22	0503011047	5089 SEAL		01
23	0511010142	LOCK RING		01
24	0502010984	LEFT MULTIPLIER BOX		01
25	0502011393	LOWER HUB		01

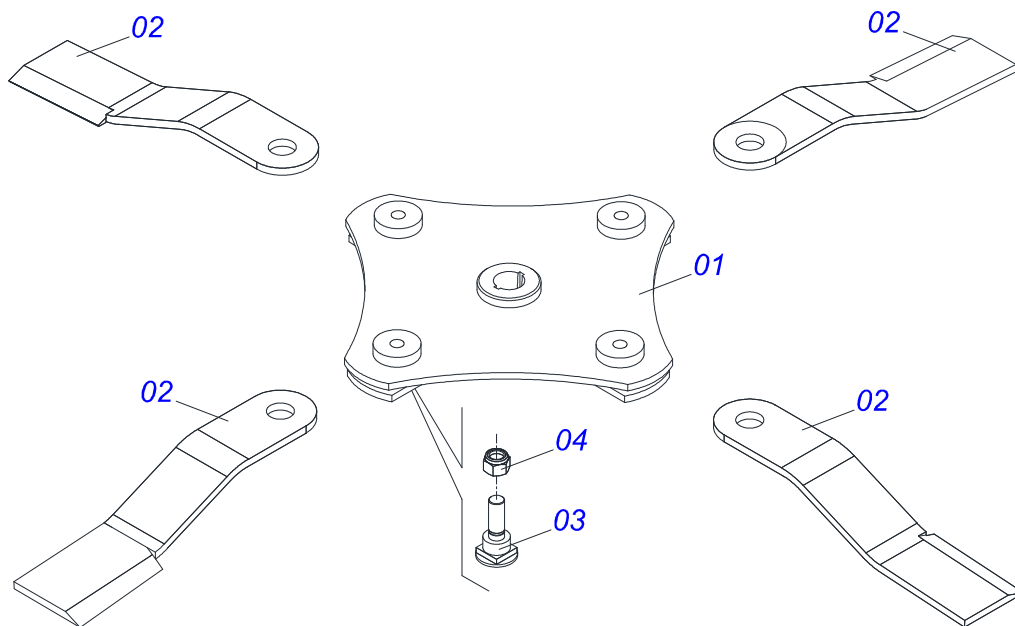


Item	Code	Description	See page	QT
01	0502012294	DROP HUB		01
02	0503013201	ARCA 6016 BRG SEAL		01
03	0503012418	32211 ROLLER BEARING		02
04	0541014445	LOCK RING		01
05	0503012311	501065 RENO RING		01
06	0503013211	6016 BRG SEAL		01
07	0541014095	ROTARY CUTTERS SMALLER AXLE		01
08	0501019757	EXTENSION GREASE FITTING		01
09	0503010002	1800 GREASE FITTING		01

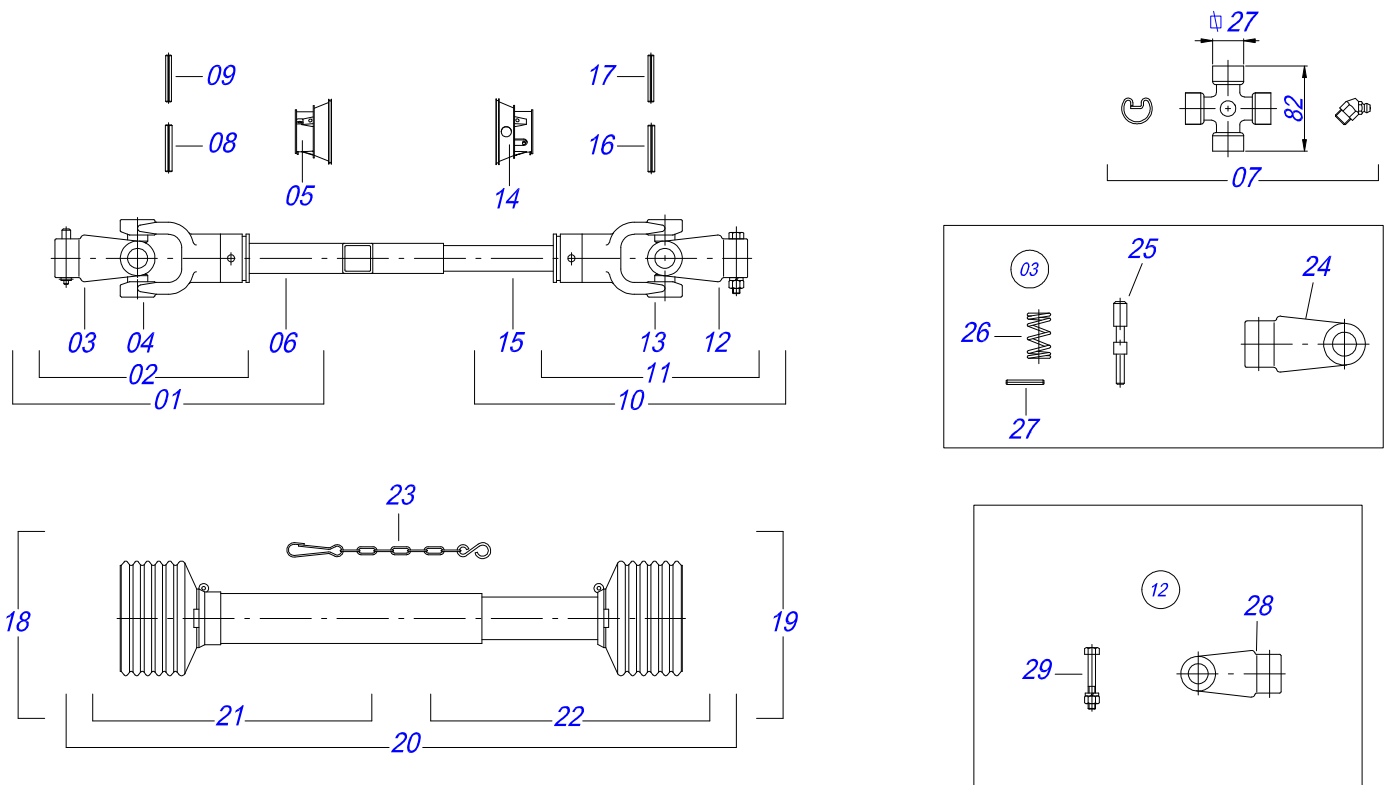


Item	Code	Description	See page	QT
01	0561017369	ROTARY LOWER SUPPORT LOWER		01
02	0561017307	SUPPORT UPPER BASE		01
03	0511019000	BOLT		02
04	0503010812	7/8" UNF SELF LOCKING NUT		02
05	0503011447	SPRING WASHER		02
06	0622400054	24.5" X 3.94" X 0.5" ROTARY CUTTER		02

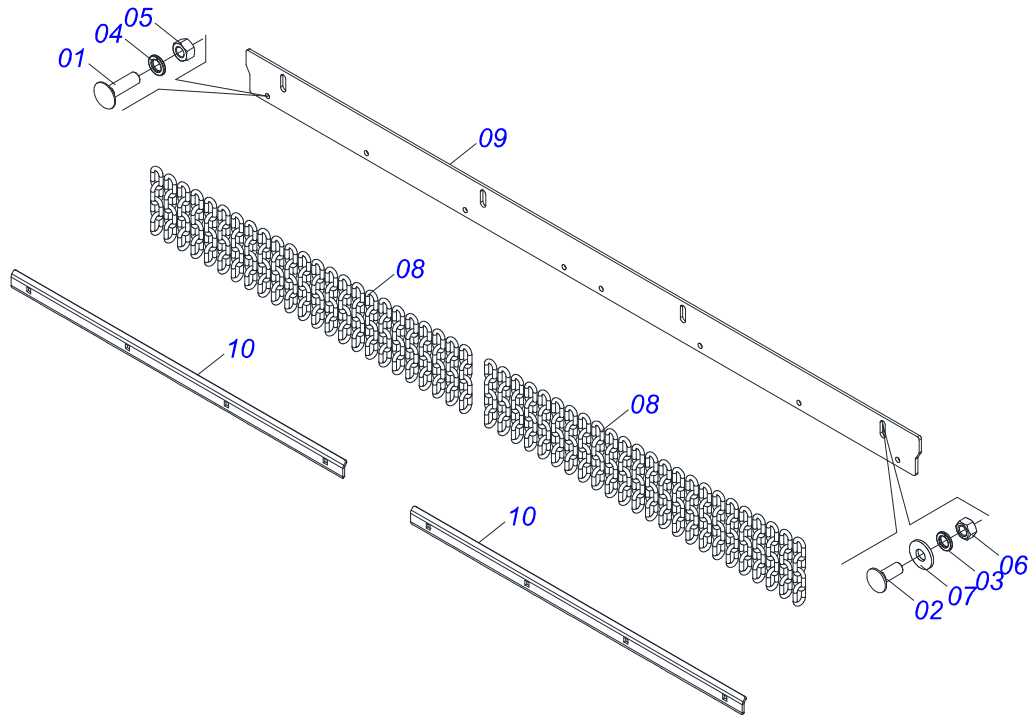
CUTTER SUPPORT WITH 04 CUTTERS



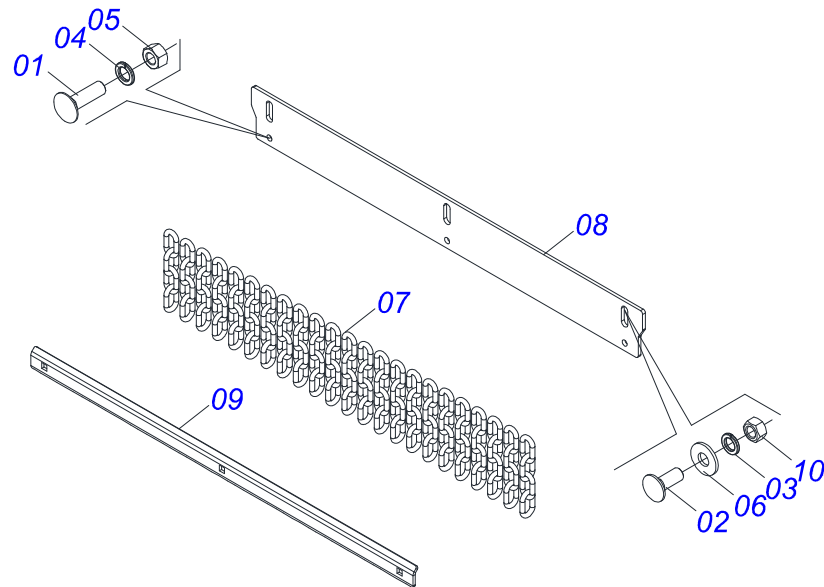
Item	Code	Description	See page	QT
01	0511063005	SUPPORT ROTARY CUTTER WITH 04 CUTTER		01
02	0622400054	24.5" X 3.94" X 0.5" ROTARY CUTTER		04
03	0511019000	BOLT		04
04	0503010812	7/8" UNF SELF LOCKING NUT		04



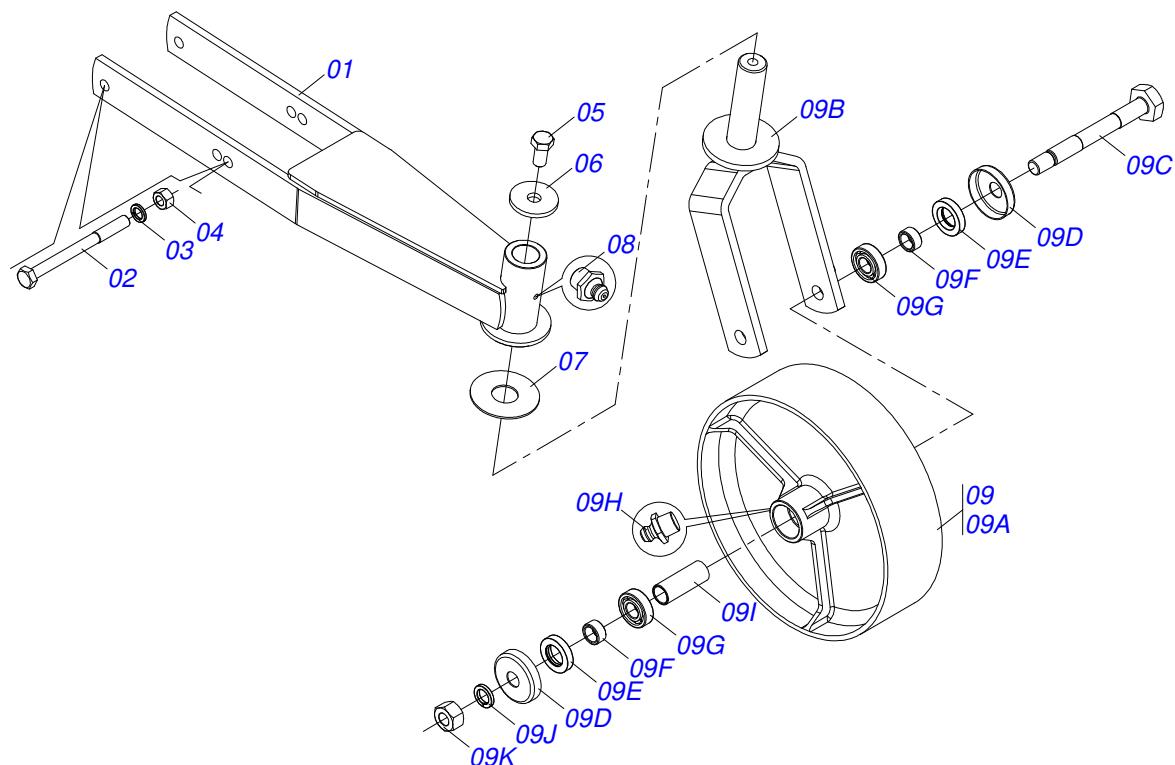
Item	Code	Description	See page	QT
01	0501050270	UNIVERSAL JOINT WITH SLEEVE		01
02	0501050265	UNIVERSAL JOINT		01
03	0501050333	1-40 TERMINAL WITH HITCH		01
04	0502010565	2-40 TERMINAL W/ SH 1.5"/1.5"		01
05	0503012069	ADAPTER FOR BUSHING PROTECT		01
06	0501017427	20" X 1.5" SQUARE SLEEVE		01
07	0503010836	CARDAN CROSSPIECE		02
08	0503011069	0.4" X 2.8" SPRING PIN		01
09	0503010510	0.2" X 2.6" SPRING PIN		01
10	0501050867	UNIVERSAL JOINT WITH SHAFT		01
11	0501050449	UNIVERSAL JOINT		01
12	0501052526	T8-40 TERMINAL WITH SCREW		01
13	0502010566	3-40 TERMINAL WITH SH 1.2"/1.2"		01
14	0503012070	ADAPTER FOR AXLE PROTECTION		01
15	0501017423	1.2" X 19.6" SQUARE SHAFT		01
16	0503010361	SPRING PIN		01
17	0503010756	0.2" X 2.4" SPRING PIN		01
18	0501051694	UNIVERSAL JOINT WITH SLEEVE/PROTECTION		01
19	0501051695	UNIVERSAL JOINT WITH AXLE/PROTECTION		01
20	0503012066	PROTECTION ASSY		01
21	0503012067	PROTECTION FOR UNIV JOINT AND SLEEVE		01
22	0503012068	PLASTIC PROTECTION FOR SHAFT JOINT		01
23	0503012023	CHAIN FOR PROTECTION		02
24	0502010563	1-40 STRIATED 1.3/8" TERMINAL		01
25	0521010638	0.5" X 3.3" QUIC HITCH COUPL SHAFT		01
26	0503030518	0.5"X1.0"X 0.1" COMPRESSION SPRING		01
27	0503010838	0.1" X 0.8" SPRING PIN		01
28	0502010876	8-40 STRIATED 1.3/8 TERMINAL		01
29	0501047756	1/2" X 3" SET PARTS		01



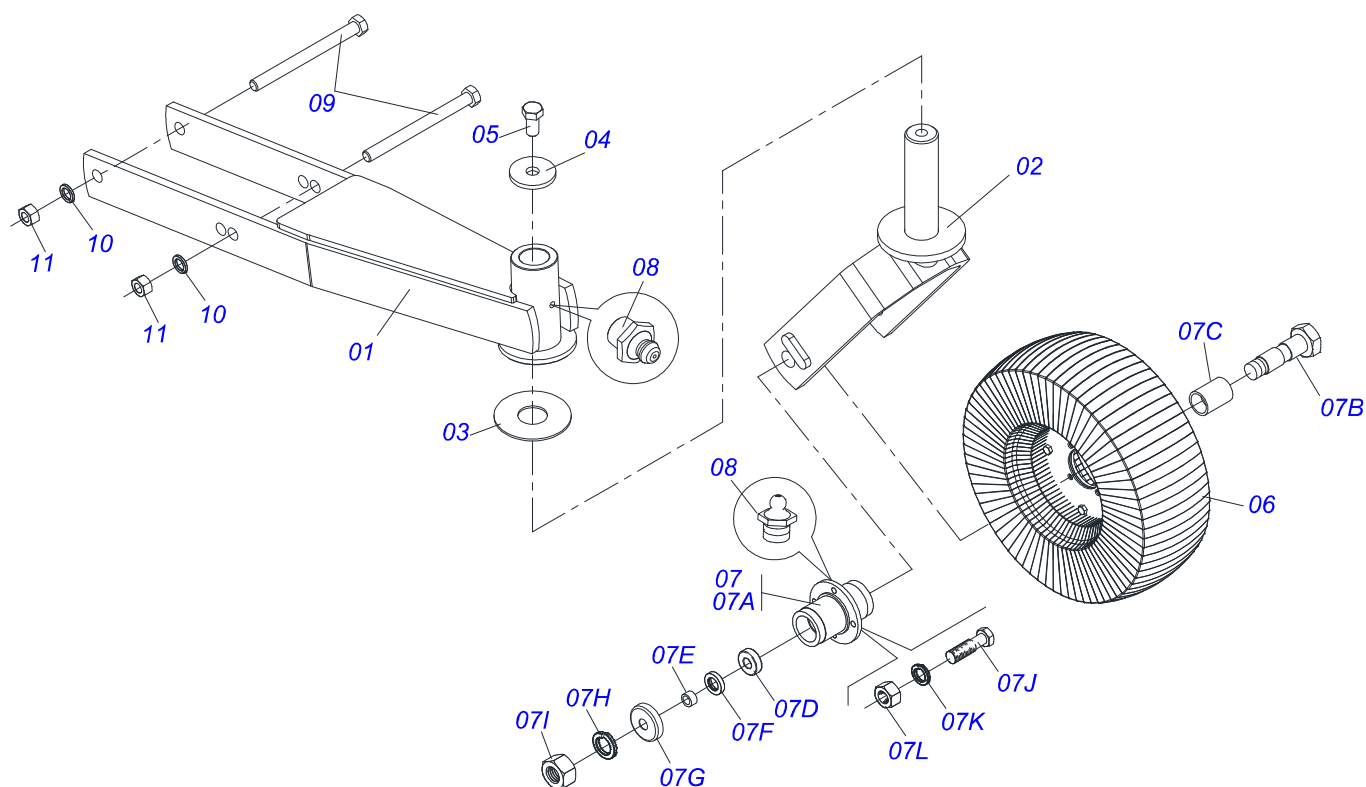
Item	Code	Description	See page	QT
01	0501010942	3/8" X 1-1/4" BOLT		08
02	0501011600	1/2" X 1-1/4" BOLT		04
03	0503010019	1/2" SPRING WASHER		04
04	0503010025	3/8" SPRING WASHER		08
05	0503010026	3/8" NUT		08
06	0503012682	1/2" BSW NUT		04
07	0511017302	FLAT WASHER		04
08	0511011774	8,00 CHAIN 4 LINK		48
09	0571017744	CHAIN PROTECTION BODY		01
10	0571017743	PROTECTION CLAW		02



Item	Code	Description	See page	QT
01	0501010942	3/8" X 1-1/4" BOLT		03
02	0501011600	1/2" X 1-1/4" BOLT		03
03	0503010019	1/2" SPRING WASHER		03
04	0503010025	3/8" SPRING WASHER		03
05	0503010026	3/8" NUT		03
06	0511017302	FLAT WASHER		03
07	0511011774	8,00 CHAIN 4 LINK		23
08	0571017739	CHAIN PROTECTION BODY		01
09	0571017738	PROTECTION CLAW		01
10	0503012682	1/2" BSW NUT		03



Item	Code	Description	See page	QT
01	0521065281	WHEEL SUPPORT		01
02	0503010795	5/8" X 7" BOLT		02
03	0503010027	5/8" SPRING WASHER		02
04	0503010013	5/8" NUT		02
05	0503010962	5/8" X 1-1/4" BOLT		01
06	0511010721	FLAT WASHER		01
07	0511013239	FLAT WASHER		01
08	0503010002	1800 GREASE FITTING		01
09	0501058460	CARRYING WHEELS		01
09A	0502012519	350 X 100 WHEEL		01
09B	0501065266	WHELL FORK		01
09C	0501017143	WHEEL AXLE		01
09D	0511014254	DUST CLOAK		02
09E	0503010268	00262-B SEAL		02
09F	0521010487	SPACER WASHER		02
09G	0503010269	6204 BALL BEARING		02
09H	0503010002	1800 GREASE FITTING		01
09I	0521010460	0.9" X 1.1" X 2.9" SLEEVE		01
09J	0503011442	3/4" SPRING WASHER		01
09K	0503010014	3/4" NUT		01



Item	Code	Description	See page	QT
01	0501069375	WHEEL SUPPORT		01
02	0501065266	WHELL FORK		01
03	0511013239	FLAT WASHER		01
04	0511010721	FLAT WASHER		01
05	0503010962	5/8" X 1-1/4" BOLT		01
06	0501050433	TIRE WHELL		01
07	0501051587	WHEELS BOX ASSY		01
07A	0502011286	WHEELS BOX ASSY		01
07B	0501017143	WHEEL AXLE		01
07C	0521010460	0.9" X 1.1" X 2.9" SLEEVE		01
07D	0503010269	6204 BALL BEARING		02
07E	0521010487	SPACER WASHER		02
07F	0503010268	00262-B SEAL		02
07G	0511014254	DUST CLOAK		01
07H	0503010023	3/4" SPRING WASHER		01
07I	0503010014	3/4" NUT		04
07J	0501010080	3/8" BOLT		04
07K	0503010025	3/8" SPRING WASHER		04
07L	0503010026	3/8" NUT		02
08	0503010002	1800 GREASE FITTING		01
09	0503010795	5/8" X 7" BOLT		02
10	0503010027	5/8" SPRING WASHER		02
11	0503010013	5/8" NUT		02



ANNOTATION







MARCHESAN

Technical Publications | Elaboration and Revision
JOSÉ DOMINGOS GASPARI

www.marchesan.com.br

