

**ROW CROP PLANTERS**

## PST DUO

**Code:** 0501090965  
**Series:** S-0713  
**Revision:** 00  
**Date Revision:** FEVEREIRO/2013

# PARTS CATALOGUE



**MARCHESAN**



# PRODUCTS

Code	Description
0111230026	PST DUO 11/10 H S-0713
0111230028	PST DUO 11/10 MH S-0713
0111230029	PST DUO 11/10 MH DC20 CBR S-0713
0111230030	PST DUO 11/11 S-0713
0111230031	PST DUO 11/11 H MH S-0713
0111230032	PST DUO 11/11 H MH CEAC S-0713
0111230033	PST DUO 11/11 MH S-0713
0111230034	PST DUO 11/11 MH CEAC S-0713
0111230035	PST DUO 11/11 MH IAPAR DC20 S-0713
0111230020	PST DUO 13/12 MH S-0713
0111230022	PST DUO 13/13 H MH S-0713
0111230023	PST DUO 13/13 MH S-0713
0111230024	PST DUO 13/13 MH CEAC S-0713

## ATTENTION: IMPORTANT

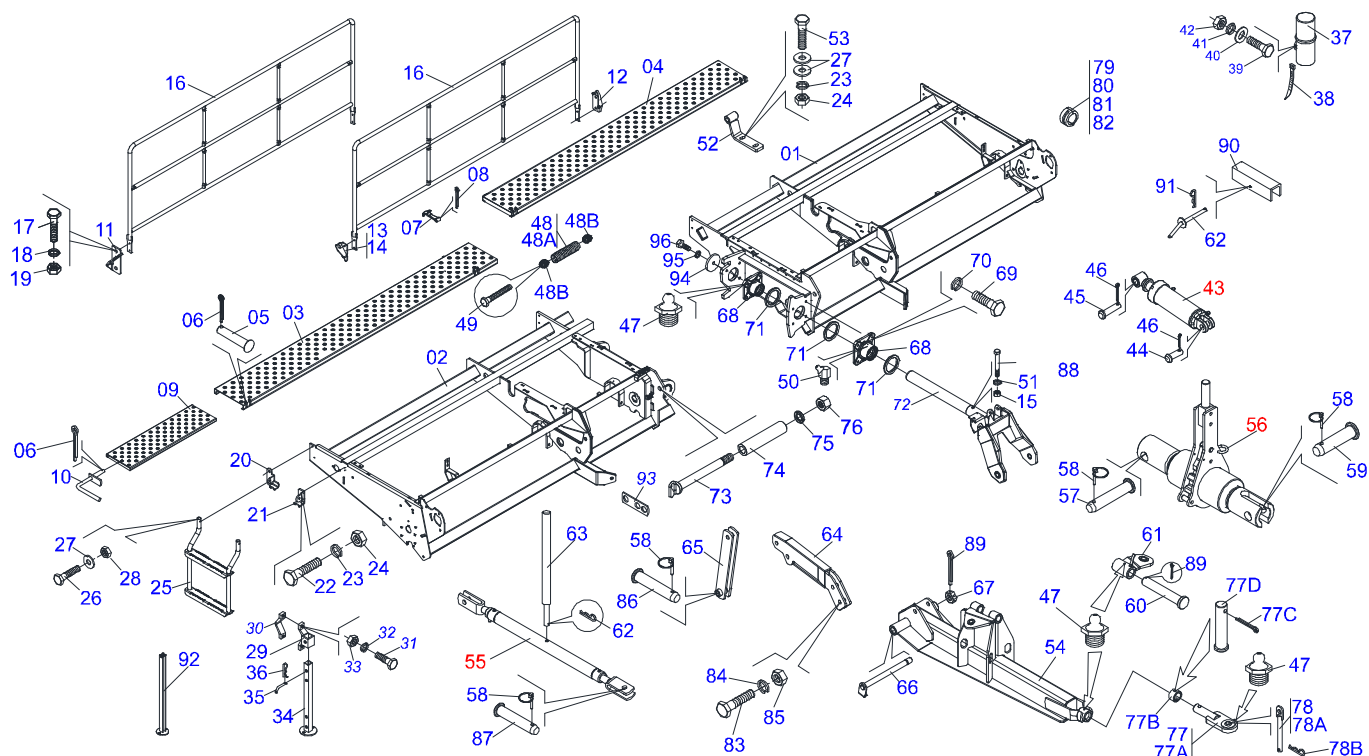
Marchesan S.A. reserves the right to improve and/or modify the technical features of its products, without obligation to do the same with those products already sold and without prior knowledge of the dealer or the consumer. The photos are only illustrative.



**MARCHESAN**

# INDEX

0909094450	PST DUO FRAME ASSY	.....	1
0511041187	HYDRAULIC CYLINDER	.....	2
0511040203	1.5" X 2.5" X 19" X 9" HYDRAULIC CYLINDER	.....	3
0511051434	TRANSMISSION ACTUATOR	.....	4
0511051575	DRAWBAR TURNBUCKLE	.....	5
0511052311	3 POINT TURNBUCKLE	.....	6
0501110683	REAR HUB OF ARTICULATOR WITH GLOVES	.....	7
0501053494	TRACTOR HITCH ASSY	.....	8
0511052769	WHEEL WITH TRANSMISSION WITHOUT TIRE	.....	9
0501053110	WHEEL TRANSMISSION WITHOUT TIRE	.....	10
0501054649	HBM SEQUENTIAL VALVE	.....	11
0501058241	WHEEL SUPPORT CHAIN TENSIONER	.....	12
0511047058	RIGHT GEAR BOX ASSY	.....	13
0511047059	LH GEAR BOX ASSY	.....	14
0511047069	RIGHT SIDE TRANSMISSION ACTUATOR	.....	15
0909094452	TRANSMISSION	.....	16
0909093035	GEAR BOX ASSY	.....	17
0909093036	SIDE TRANSMISSION DRIVING ASSY	.....	18
0909093320	SEED/FERTILIZER ROW ASSY	.....	19
0909093321	SEED ROW	.....	20
0909093322	REAR SEED ROW	.....	21
0909094454	SEED ASSY	.....	22
0909093298	15X15 SEED UNAL DOUB-DISC ASSY	.....	23
0909093323	FERTILIZER ROW ASSY	.....	24
0909093324	FERTILIZER ROW SCARIFIER SPINDLE	.....	25
0501052976	RIGHT FERTILIZER DOUBLE DISC	.....	27
0501052977	LEFT FERTILIZER DOUBLE DISC	.....	28
0909094453	SUPPORT FERTILIZ BOX	.....	29
0909093297	PRESS WHEELS ASSY	.....	30
0909093309	BLADE DISC ASSY 18"	.....	31
0909093345	WHEELS ASSY	.....	32
0909094451	HYDRAULIC CIRCUIT	.....	33
0909094455	HYDR ROW MARK ASSY	.....	34
0909094456	HYDRAULIC CIRCUIT MARC	.....	35



Item	Code	Description	See page	11 13
01	0521062861	LEFT FRAME		01
01.	0521062980	LEFT FRAME		01
02	0521062860	RIGHT FRAME		01
02.	0521062979	RIGHT FRAME		01
03	0521062991	RIGHT PLATFORM		01
03.	0521063178	RIGHT PLATFORM		01
04	0521062992	LEFT PLATFORM PST DUO 11/F		01
04.	0521063179	LEFT PLATFORM PST DUO 13/F		01
05	0521010549	COUPLING SHAFT		04 04
06	0503010257	1/8" X 1" COTTERPIN		06 06
07	0503011333	COVER FIXER		02 02
08	0503010274	5/32"X 2" COTTERPIN		02 02
09	0521061676	PLATFORM PROLONG		02 02
10	0511069664	PLATFORM EXTENSION LOCK		02 02
11	0551019127	PLATFORM RIGHT FIXER SUPPORT		01 01
12	0551019128	PLATFORM LEFT FIXER SUPPORT		01 01
13	0551019110	LADDER RIGHT FIXER		01 01
14	0551019109	LADDER LEFT FIXER		01 01
15	0503010417	7/8" NUT		01 01
16	0521062988	HANDRAIL		02
16.	0521063175	HANDRAIL		02
17	0503010920	1/2" X 1.1/2" BOLT		08 08
18	0503010019	1/2" SPRING WASHER		08 08
19	0503010060	1/2" NUT		08 08
20	0551017438	LADDER RIGHT FIXER		01 01
21	0551017437	LADDER RIGHT FIXER		01 01
22	0503010237	3/8" X 1" BOLT		04 04
23	0503010025	3/8" SPRING WASHER		12 12
24	0503010026	3/8" NUT		12 12
25	0511069636	LADDER		02 02
26	0501010096	3/8" X 2" BOLT		04 04



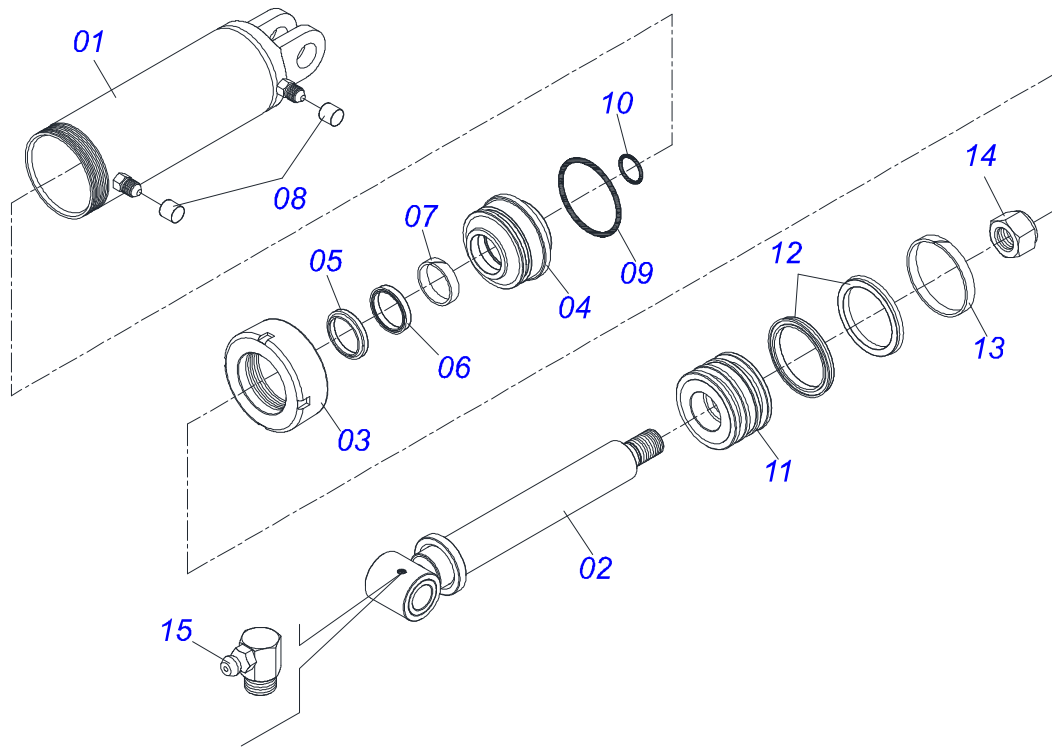
PST DUO  
PST DUO FRAME ASSY

Item	Code	Description	See page	11 13
27	0501010984	FLAT WASHER 10,50 X 27 X 3,00 ZN		20 20
28	0503013357	3/8" SELF-ADJUSTING NUT		04 04
29	0502011530	SUPPORT		02 02
30	0502010175	HITCH CLAMP		02 02
31	0501011543	5/8" X 4" BOLT		04 04
32	0503010027	5/8" SPRING WASHER		04 04
33	0503010013	5/8" NUT		04 04
34	0511061835	PLOUGH SUPPORT		02 02
35	0501011075	PIN		02 02
36	0503030012	HITCH PIN CLIP		02 02
37	0503060100	OPERATOR'S MANUAL STORAGE TUBE		01 01
38	0503010267	NYLON CLAMP		01 01
39	0503010365	NUT		01 01
40	0501010694	FLAT WASHER		01 01
41	0503010179	LOCK WASHER		01 01
42	0503010337	5/16" NUT		01 01
43	0511041187	HYDRAULIC CYLINDER	2	02 02
44	0521012538	1.2" X 3.5" COUPLING SHAFT		02 02
45	0521012536	COUPLING SHAFT		02 02
46	0503010523	1/4" X 2" COTTERPIN		04 04
47	0503010002	1800 GREASE FITTING		04 04
48	0511050681	TRACTION SPRING		06 06
48A	0503031681	2.1" X 7.78" EXTENSION SPRING		06 06
48B	0561016062	SPRING HITCH		12 12
49	0503013030	5/8" X 3.1/4" BOLT		12 12
50	0503010003	1845 GREASE FITTING		01 01
51	0503011447	SPRING WASHER		01 01
52	0511069661	PLATFORM SUPPORT PIVOT		04 04
53	0503010849	3/8" X 1-1/2" BOLT		08 08
54	0521062957	DRAWBAR		01 01
55	0511051575	DRAWBAR TURNBUCKLE	5	02 02
56	0511052311	3 POINT TURNBUCKLE	6	01 01
57	0521010582	COUPLING SHAFT		01 01
58	0503030085	LOCK PIN		07 07
59	0521012532	0.9" X 3.9" COUPLING SHAFT		01 01
60	0571010661	PIVOT SHAFT		01 01
61	0521062923	EAR PIVOT DRAWBAR		01 01
62	0503030168	HITCH PIN CLIP		03 03
63	0571010663	TURNBUCKLE CABLO		01 01
64	0521063528	EXTENDING FIXER		01 01
65	0521062916	LEFT FRENCH HAND		01 01
66	0521063529	LOCK AXLE		01 01
67	0501011301	1.1/2 UNC 6FPP 2.5/16 NUT		01 01
68	0501110683	REAR HUB OF ARTICULATOR WITH GLOVES	7	02 02
69	0503011445	SPRING WASHER		08 08
70	0501010100	SCREW 5/8 UNC X 2 CS G.5 ZN		08 08
71	0571010094	SLEEVE FLANGE		03 03
72	0521063547	ARTICULATION		01 01
73	0521063003	LOCK PIN		01 01
74	0571010969	LOCK SLEEVE FRAME		01 01
75	0503013627	1.1/2 SPRING WASHER		01 01
76	0501010110	1.1/2" NUT		01 01
77	0501053494	TRACTOR HITCH ASSY	8	01 01
77A	0511062245	TRACTOR HITCH ASSY		01 01
77B	0521010681	BUSHING COUPLING BODY		01 01
77C	0521010639	COUPLING SHAFT		01 01
77D	0503010571	1/4" X 1.1/2 COTTERPIN		01 01
78	0501047881	AXIS JOINT ASSY		01 01
78A	0501068989	COUPLING SHAFT		01 01

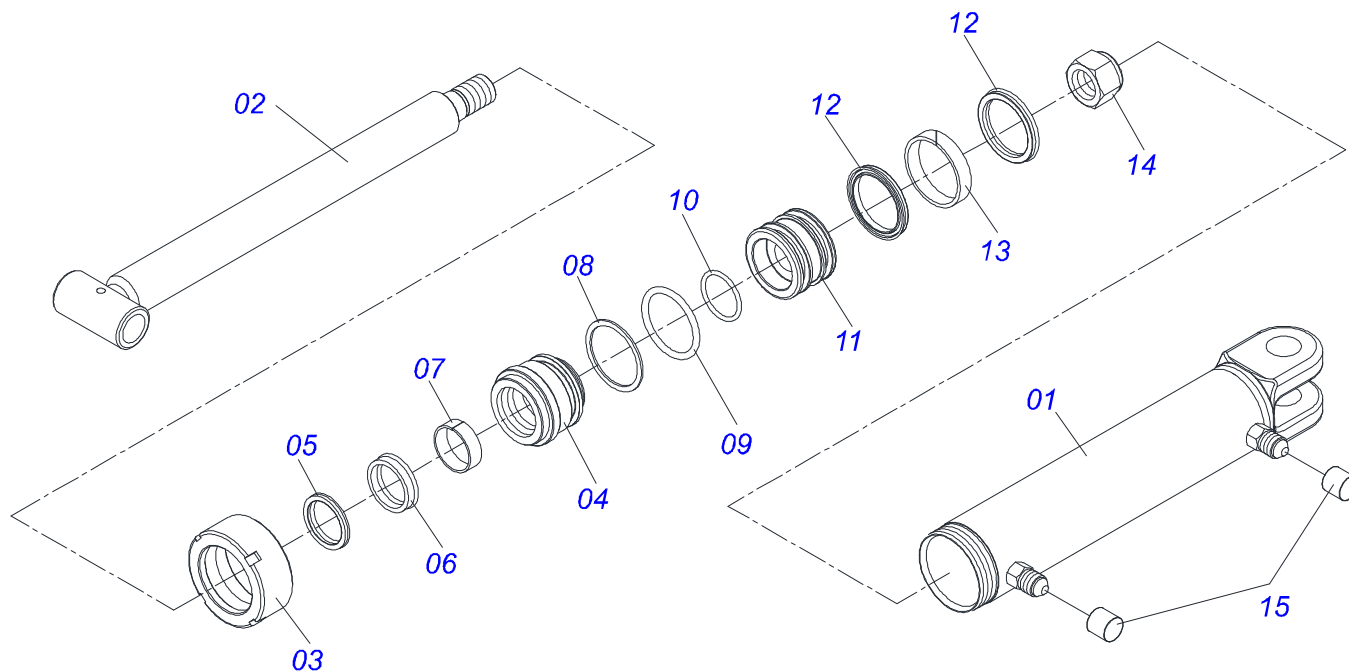


**PST DUO**  
**PST DUO FRAME ASSY**

Item	Code	Description	See page	11 13
78B	0503031035	HITCH PIN CLIP		01 01
79	0501047895	ROD STOP		02 02
80	0501047885	ROD STOP		02 02
81	0501047886	ROD STOP		02 02
82	0501047887	ROD STOP		02 02
83	0501010171	BOLT 1 UNC X 3.1/2 C S G.5		03 03
84	0503010012	1" SPRING WASHER		03 03
85	0501010059	1.5/8 NUT		03 03
86	0521010585	0.9" X 5.9" COUPLING SHAFT		01 01
87	0521010572	0.9" X 2.9" COUPLING SHAFT		04 04
88	0503011119	7/8" X 6" BOLT		01 01
89	0503010010	1/4" X 2.1/2" COTTERPIN		02 02
90	0521013022	TRANSPORT LOCK		02 02
91	0501068994	8,30 X 78 LOCK PIN		02 02
92	0501065677	STRUT		02 02
93	0561019087	DRAWBAR TRANSPORT LOCK		01 01
94	0571010095	FLAT WASHER		01 01
95	0503011442	3/4" SPRING WASHER		01 01
96	0501010098	3/4" UNC BOLT		01 01

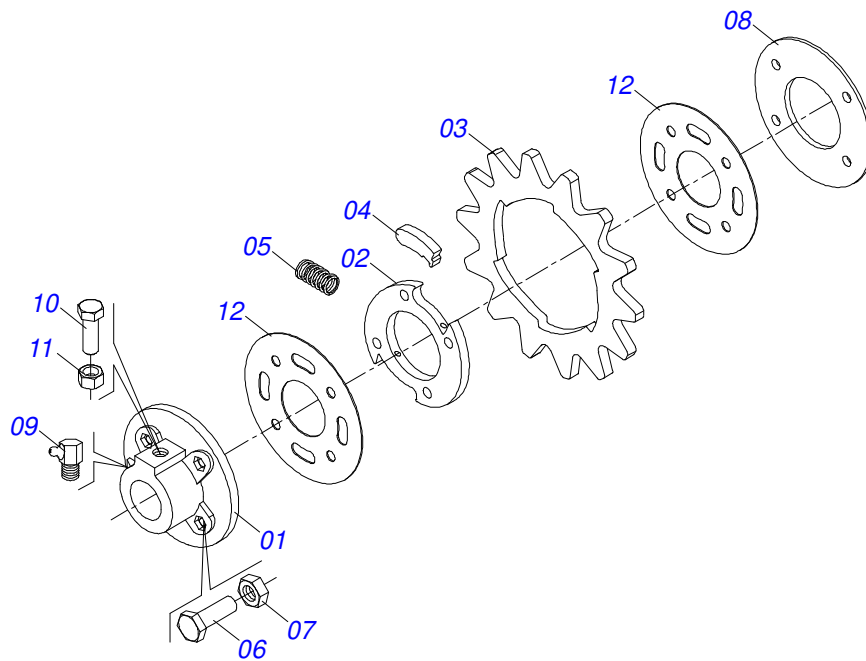


Item	Code	Description	See page	QT
01	0511064052	4" X 12.1" CYLINDER CASE		01
02	0511064053	SLEEVE 2" X 14" TURNBUCLE		01
03	0502010017	4" HEAD		01
04	0502010778	2" X 4.2" RING SUPPORT		01
05	0503010039	D-2000 SCRAPER RING		01
06	0503010991	1870-2000-375-B GASKET		01
07	0503010952	W2-2250-500 RING		01
08	0503030385	CYLINDER PLUG N-002		01
09	0503010338	2-342 N 3006-9B O'RING		01
10	0503010345	2-218 N 3006-9B O'RING		01
11	0502010992	2.0" X 4.0" PISTON		01
12	0503010043	PACKING 3750-3250		02
13	0503010994	W2-4000-500 PK RING G.E		01
14	0503010817	1.1/4" SELF LOCKING NUT		01
15	0503010003	1845 GREASE FITTING		01

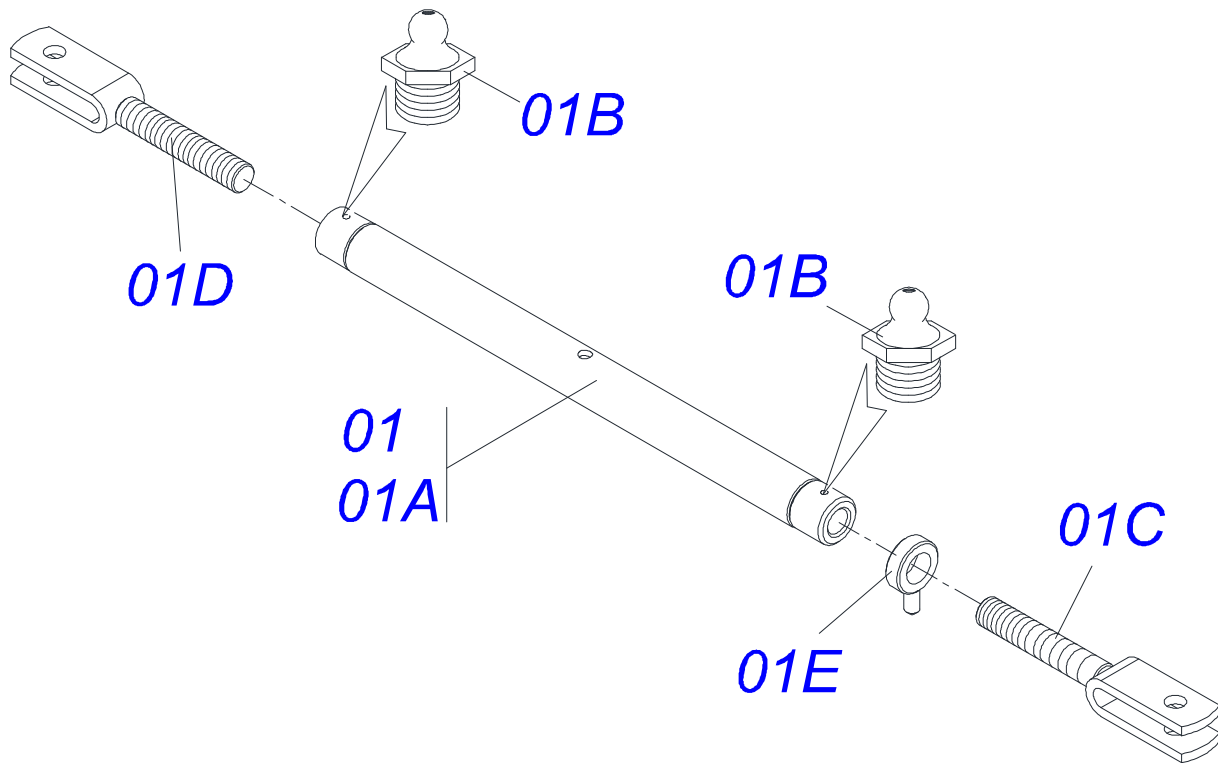


Item	Code	Description	See page	QT
01	0511062810	2.5" X 15" CYLINDER CASE		01
02	0501065662	HYDRAULIC CYLINDER TURNBUCKLE		01
03	0502010471	MOBILE COVER		01
04	0502010780	RING SUPPORT		01
05	0503010163	D-1500 SCRAPER RING		01
06	0503010989	1870-1500-375-B GASKET		01
07	0503010970	W1-1650-500 PK O'RING G.E		01
08	0503011058	8-330 BACK-UP RING		01
09	0503010161	2-330 N 3006 9B O'RING		01
10	0503010285	2-222 N 3006-9B O'RING		01
11	0502010783	1.5" X 2.5" PISTON		01
12	0503010160	2500 2000 GASKET		02
13	0503010973	W2-2500-500 PK O'RING G.E		01
14	0503010063	1" SELF-ALIGNING NUT		01
15	0503030384	CON PLUG N-001		02
16	0501032666	HYDRAULIC CYLINDER REPAIR KIT		01

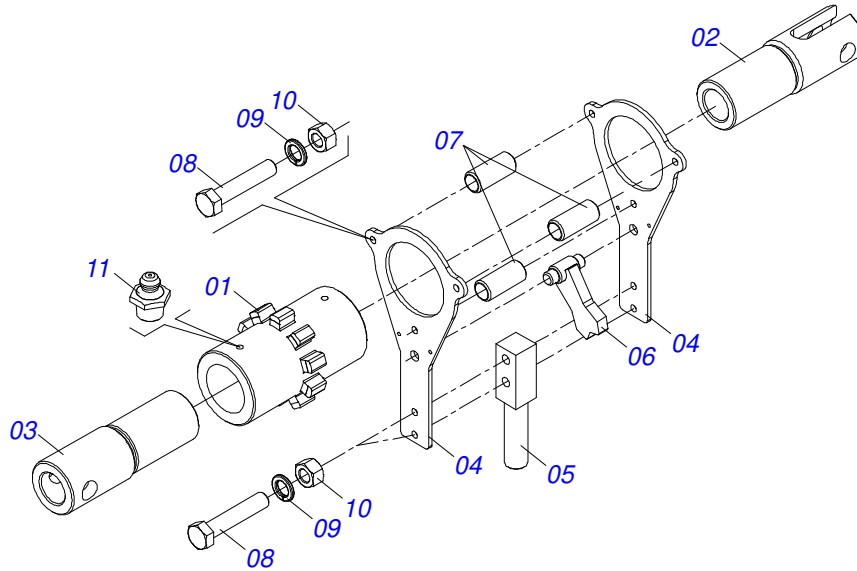




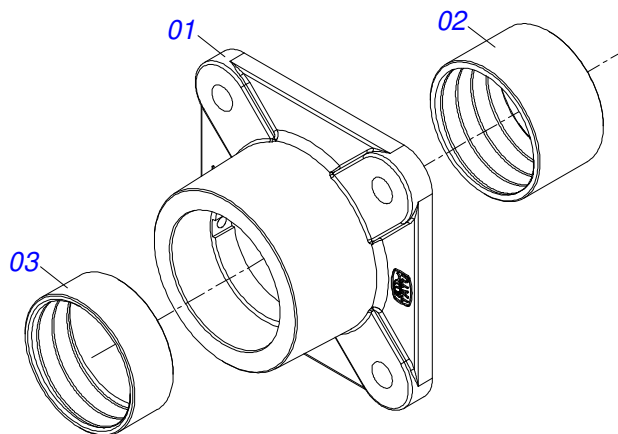
Item	Code	Description	See page	QT
01	0502012696	RIGHT RATCHET HANDLE BODY		01
02	0571010151	GRAGGER RATCHET BODY		01
03	0561019923	RATCHET PULLER GEAR		01
04	0551019100	LOCK RATCHET		02
05	0503030051	0.2" X 1" X 0.1" COMPRESSION SPRING		02
06	0503010365	NUT		04
07	0503013816	5/16" LOCKNUT		04
08	0571010164	SEAT SIDE OF RATCHET		01
09	0503010004	1890 GREASE FITTING		01
10	0503030678	BOLT 1/2 UNC X 1.1/2 C5PC G.5 ZN		01
11	0503010060	1/2" NUT		01
12	0571010763	FLANGE WASHER		02



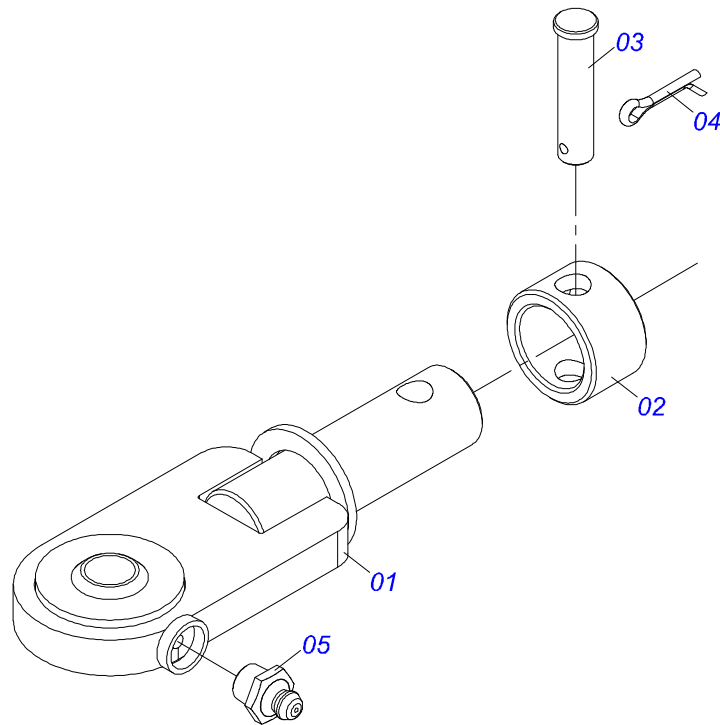
Item	Code	Description	See page	QT
01	0511051575	DRAWBAR TURNBUCKLE	5	01
01A	0521062914	858 TURNBUCKLE		01
01B	0503010002	1800 GREASE FITTING		02
01C	0511060558	RIGHT TURNBUCKLE		01
01D	0511060559	LEFT TURNBUCKLE		01
01E	0501061056	RH LOCKNUT WITH HANDLER		01



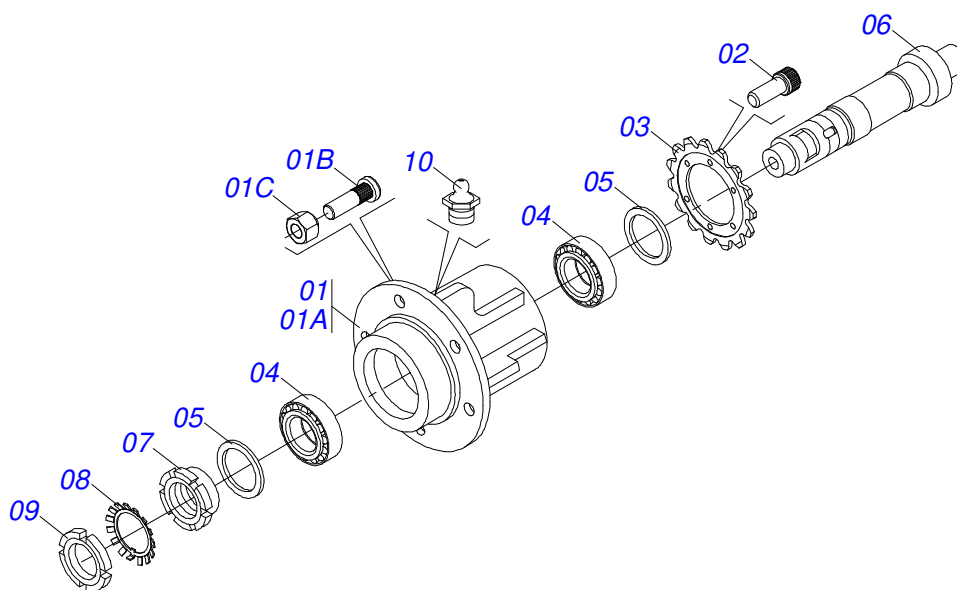
Item	Code	Description	See page	QT
01	0502012783	STABILIZER BODY GREATER		01
02	0571012279	JACK RIGHT		01
03	0571012280	JACK LEFT		01
04	0531010264	SIDE RATCHET		02
05	0521018500	SHAFT LEVER EXTENSOR		01
06	0511061881	RATCHET FOLLOWER		01
07	0521018920	0.4" X 0.5" X 0.2" SLEEVE		03
08	0503011179	3/8" X 2-1/4" BOLT		05
09	0503010025	3/8" SPRING WASHER		05
10	0503010026	3/8" NUT		05
11	0503010002	1800 GREASE FITTING		02



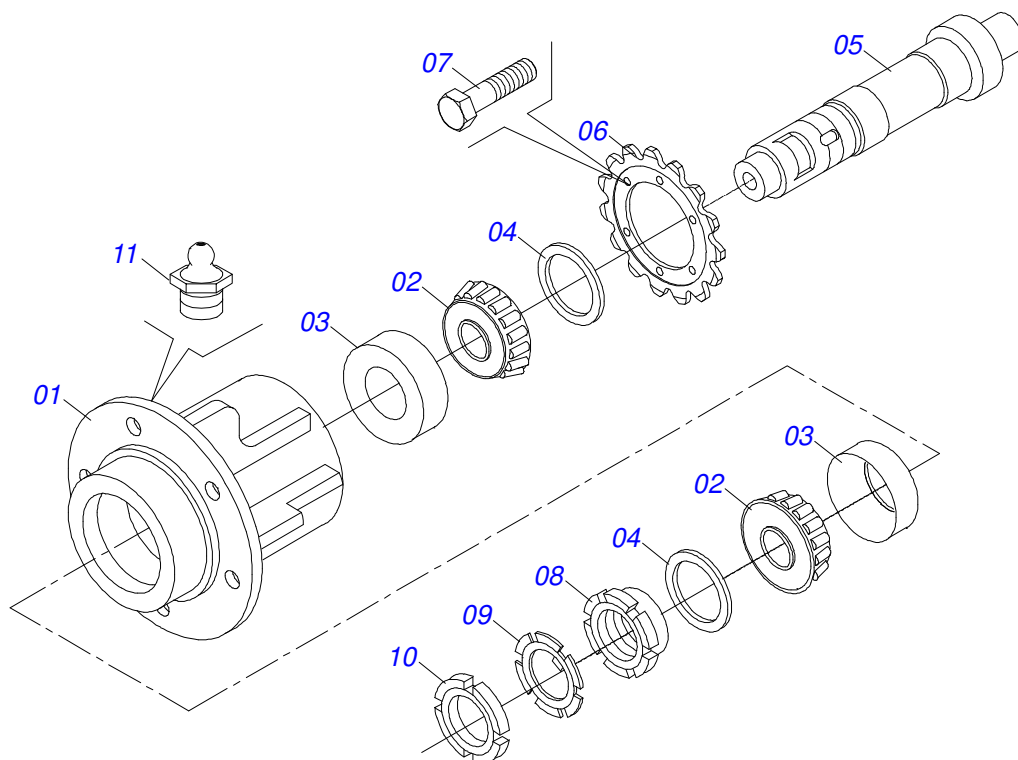
Item	Code	Description	See page	QT
01	0561019884	ARTICULACION HUB		01
02	0561019896	SLEEVE NYLON 109,15 X 93 X 65		01
03	0561019895	SLEEVE NYLON 109,15 X 93 X 40		01



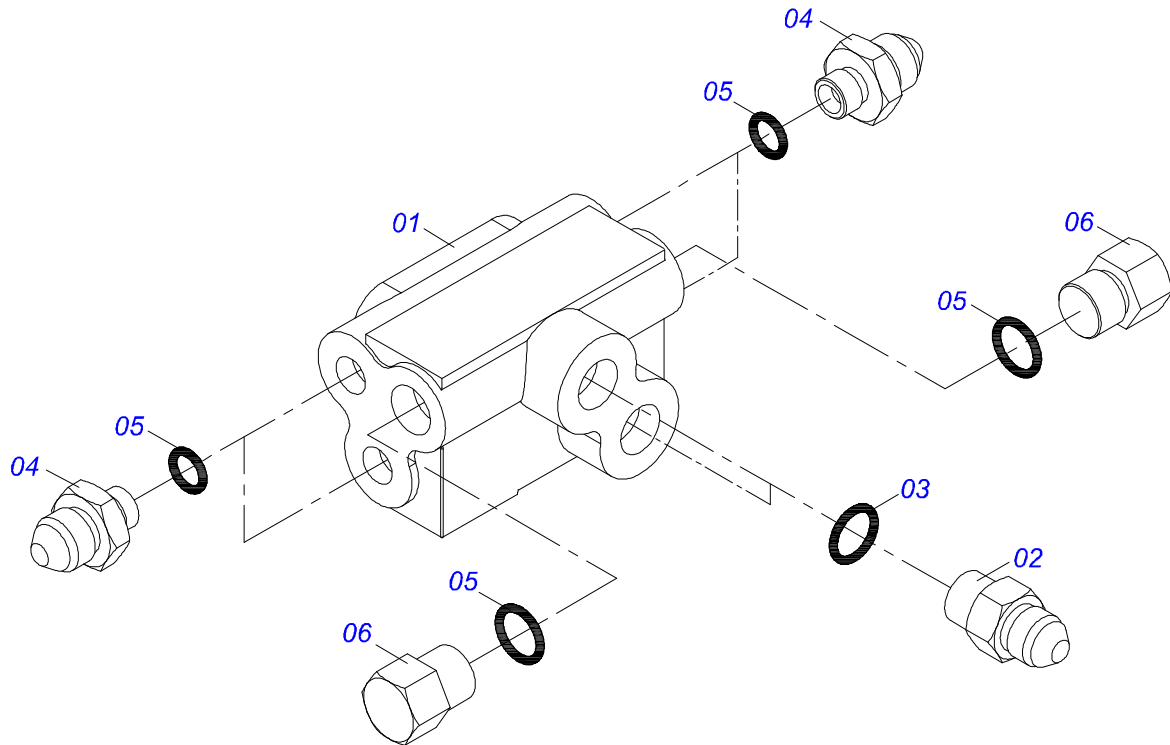
Item	Code	Description	See page	QT
001	0511062245	TRACTOR HITCH ASSY		01
002	0521010681	BUSHING COUPLING BODY		01
003	0521010639	COUPLING SHAFT		01
004	0503010571	1/4" X 1.1/2 COTTERPIN		01
005	0503010002	1800 GREASE FITTING		01



Item	Code	Description	See page	QT
01	0501110721	WHEEL HUB WITH SCREW / NUTS		01
01A	0571012990	CARRYING WHEEL HUB TRANSMISSION		01
01B	0501010186	WHEEL SCREW 5/8UNF X 2.1/8CR		06
01C	0503016516	5/8 UNF CONIC NUT		06
02	0503012550	5/16" X 3/4" BOLT		06
03	0502011339	15Z GEAR P 1.25"		01
04	0503010328	25590/25523 ROLLER BEARING		02
05	0503010804	00547-B SEAL		02
06	0521012185	TRANSMISSION WHEEL AXLE		01
07	0511015949	LOCK NUT		01
08	0503010329	LOCK WASHER		01
09	0503010330	KM 9 LOCKNUT		01
10	0503010002	1800 GREASE FITTING		01

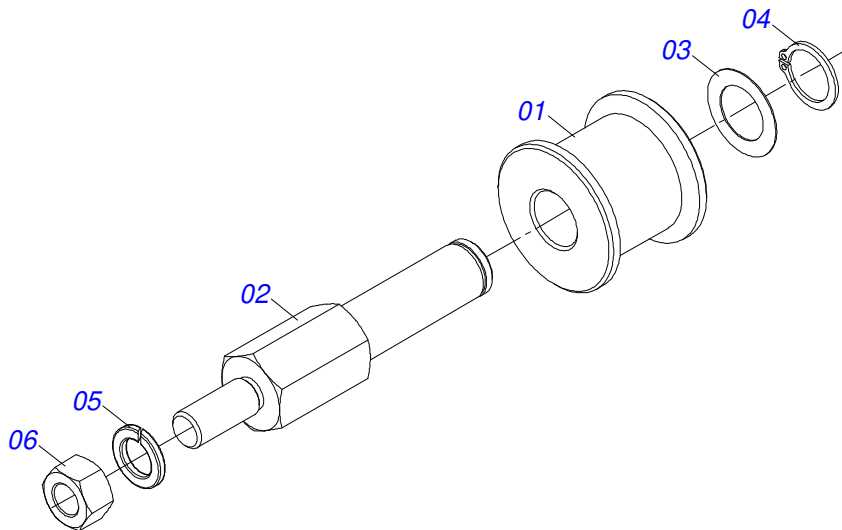


Item	Code	Description	See page	QT
01	0501110721	WHEEL HUB WITH SCREW / NUTS		01
02	0503010660	25590 CONE		02
03	0503010637	25523 CAP		02
04	0503010804	00547-B SEAL		02
05	0521012185	TRANSMISSION WHEEL AXLE		01
06	0502011339	15Z GEAR P 1.25"		01
07	0503012550	5/16" X 3/4" BOLT		06
08	0511015949	LOCK NUT		01
09	0503010329	LOCK WASHER		01
10	0503010330	KM 9 LOCKNUT		01
13	0503010002	1800 GREASE FITTING		01

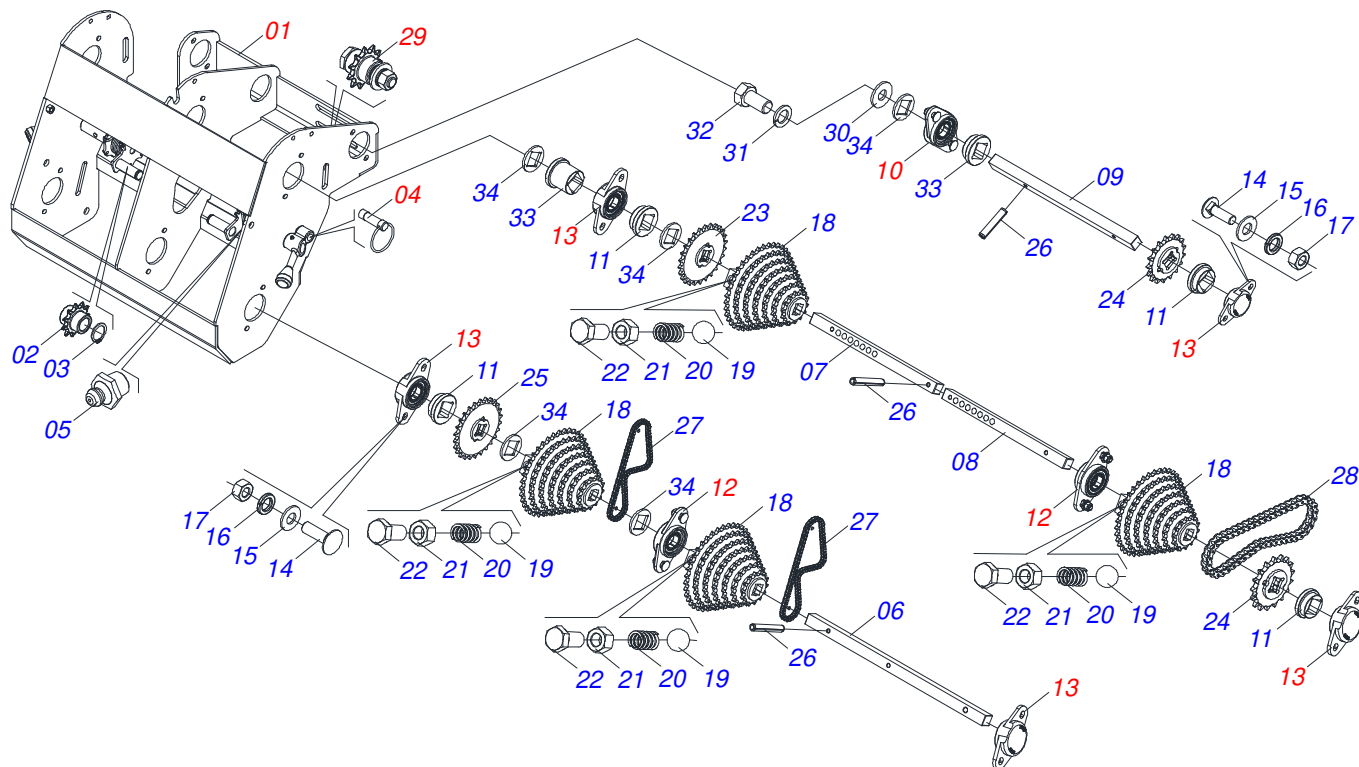


Item	Code	Description	See page	QT
01	0503060132	VDFS-002 T SEQUENCCEL VALVE		01
02	0501010617	3/4" NIPPLE		02
03	0503010190	2-114 N 3006-9B O'RING		02
04	0501012109	3/4" X 9/16" NIPPLE FITTING		04
05	0503011036	2-111 N 3006-9B O'RING		06
06	0531019339	9/16" UNF X 12 PUMP		02





Item	Code	Description	See page	QT
01	0541016454	PULLEY		01
02	0521018933	FERT CHAIN TENSIONER AXLE		01
03	0511015098	FLAT WASHER		01
04	0503010302	501019 SEAL RING		01
05	0503010019	1/2" SPRING WASHER		01
06	0503010060	1/2" NUT		01



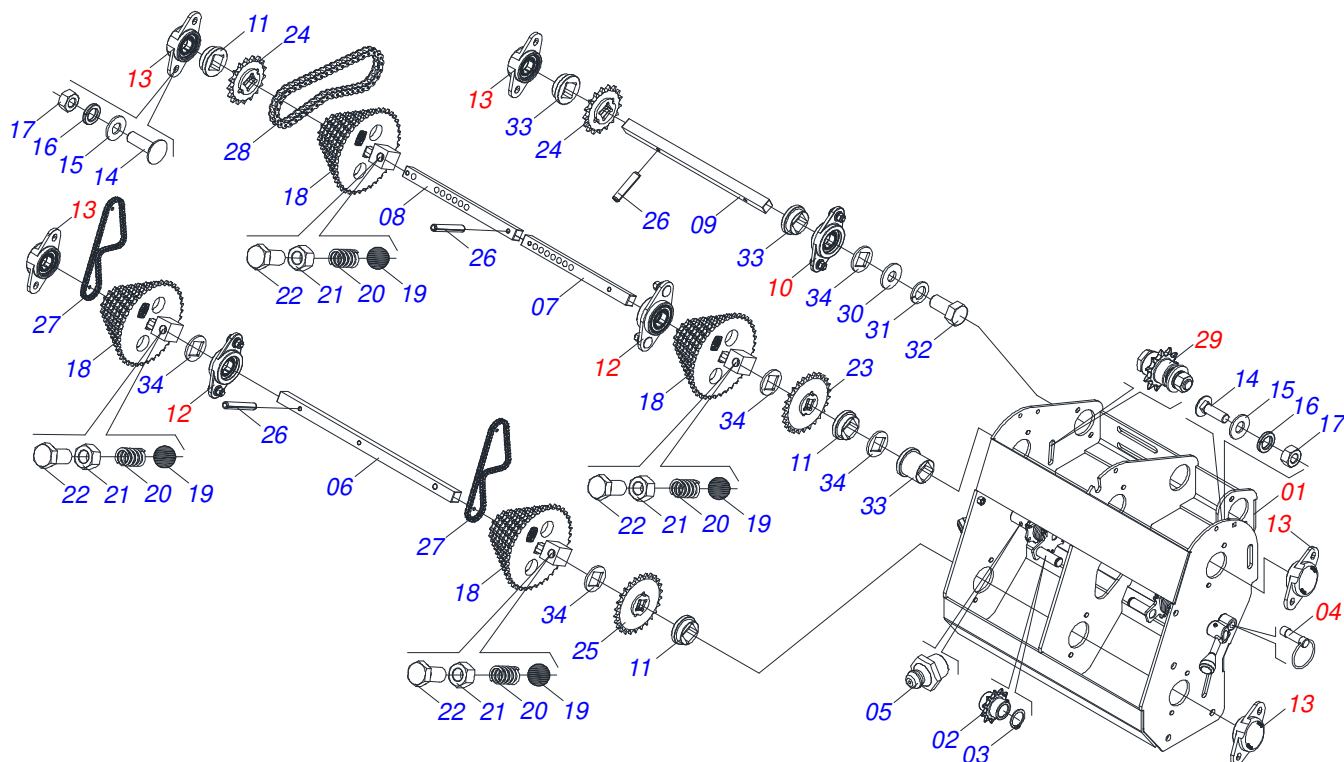
Item	Code	Description	See page	QT
01	0501058212	SEMI MOUNTED RIGHT CHANGE		01
02	0503031805	11Z 1/2" GEAR		04
03	0503010302	501019 SEAL RING		04
04	0501048790	AXLE WITH RING		02
05	0503010002	1800 GREASE FITTING		02
06	0551018209	DRIVING AXLE		01
07	0521018259	DRIVEN AXLE		01
08	0551018210	DRIVEN AXLE		01
09	0551018211	INTERM SHAFT		01
10	0501056447	CENTRAL DOUBLE GEAR HOUSING BEARING		01
11	0503030303	SUPPORT WASHER		05
12	0501056443	GEAR HOUSING BEARING		02
13	0501056271	GEARBOX CLOSED BEARING		05
14	0503011953	5/16" X 1" BOLT		10
15	0501010694	FLAT WASHER		10
16	0503010179	LOCK WASHER		10
17	0503010337	5/16" NUT		10
18	0502040868	GEAR CONE REPLACEMENT		04
19	0503012389	1/2 BALL		04
20	0503031512	0.4" X 0.1" X 2" X 0.6" SPRING		04
21	0503010060	1/2" NUT		04
22	0503010834	1/2 X 1 BOLT		04
23	0511061822	25Z P0.5" GEAR SQUARE HOL		01
24	0511061830	17Z P 0.5" GEAR SQUARE HOL		02
25	0511067501	26Z GEAR		01
26	0503010292	0.2" X 1.6" SPRING PIN		07
27	0503012204	40-1 CHAIN X 82 LINK + RED		02
28	0503012713	40-1 CHAIN X 45 LINK + MEN		01
29	0501054655	CHAIN TENSIONER ASSY		02
30	0501010984	FLAT WASHER 10,50 X 27 X 3,00 ZN		01
31	0503010025	3/8" SPRING WASHER		01



**PST DUO**  
**RIGHT GEAR BOX ASSY**

Page 13  
0511047058

<b>Item</b>	<b>Code</b>	<b>Description</b>	<b>See page</b>	<b>QT</b>
32	0503010256	3/8" X 3/4" BOLT		01
33	0503030275	AGRICULTURAL BEARING		01
34	0521018630	1.4" X SQUARE 0.8" WASHER		03



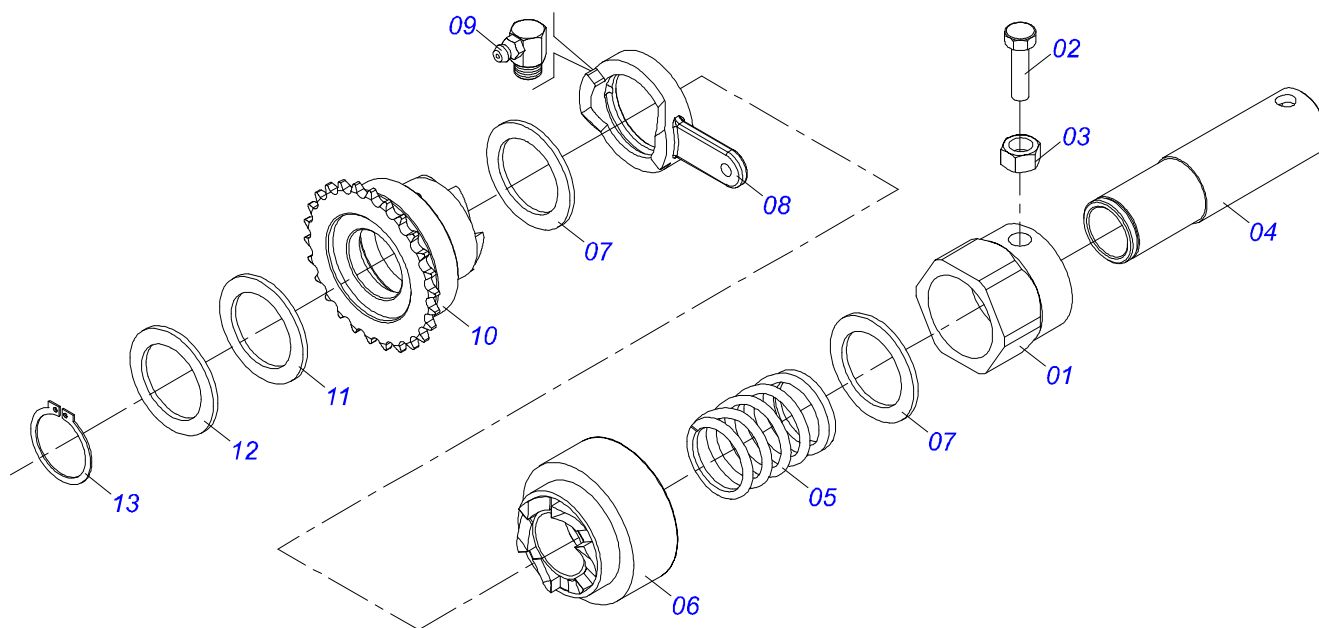
Item	Code	Description	See page	QT
01	0501058213	LH GEAR BOX	01	01
02	0503031805	11Z 1/2" GEAR	04	04
03	0503010302	501019 SEAL RING	04	04
04	0501048790	AXLE WITH RING	02	02
05	0503010002	1800 GREASE FITTING	02	02
06	0551018209	DRIVING AXLE	01	01
07	0521018259	DRIVEN AXLE	01	01
08	0551018210	DRIVEN AXLE	01	01
09	0551018211	INTERM SHAFT	01	01
10	0501056447	CENTRAL DOUBLE GEAR HOUSING BEARING	01	01
11	0503030303	SUPPORT WASHER	05	05
12	0501056443	GEAR HOUSING BEARING	02	02
13	0501056271	GEARBOX CLOSED BEARING	05	05
14	0503011953	5/16" X 1" BOLT	10	10
15	0501010694	FLAT WASHER	10	10
16	0503010179	LOCK WASHER	10	10
17	0503010337	5/16" NUT	10	10
18	0511060396	DRIVE/DRIVEN AXLE CONE	04	04
19	0503012389	1/2 BALL	04	04
20	0503031512	0.4" X 0.1" X 2" X 0.6" SPRING	04	04
21	0503010060	1/2" NUT	04	04
22	0503010834	1/2 X 1 BOLT	04	04
23	0511061822	25Z P0.5" GEAR SQUARE HOL	01	01
24	0511061830	17Z P 0.5" GEAR SQUARE HOL	02	02
25	0511067501	26Z GEAR	01	01
26	0503010292	0.2" X 1.6" SPRING PIN	07	07
27	0503012204	40-1 CHAIN X 82 LINK + RED	02	02
28	0503012713	40-1 CHAIN X 45 LINK + MEN	01	01
29	0501054655	CHAIN TENSIONER ASSY	02	02
30	0501010984	FLAT WASHER 10,50 X 27 X 3,00 ZN	01	01
31	0503010025	3/8" SPRING WASHER	01	01



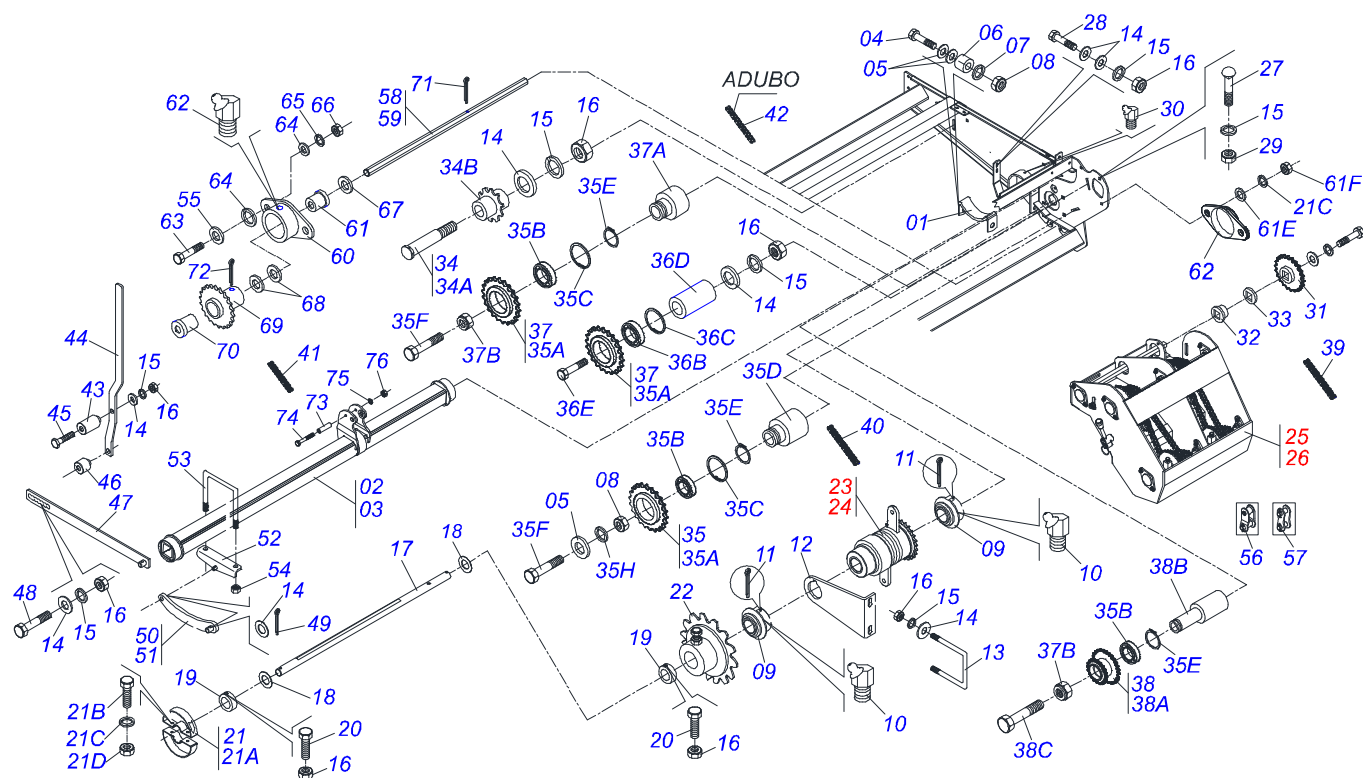
**PST DUO**  
**LH GEAR BOX ASSY**

Page 14  
0511047059

<b>Item</b>	<b>Code</b>	<b>Description</b>	<b>See page</b>	<b>QT</b>
32	0503010256	3/8" X 3/4" BOLT		01
33	0503030275	AGRICULTURAL BEARING		01
34	0521018630	1.4" X SQUARE 0.8" WASHER		03



Item	Code	Description	See page	QT
01	0502011996	SLEEVE FIXER		01
02	0503030678	BOLT 1/2 UNC X 1.1/2 CSPC G.5 ZN		01
03	0503010060	1/2" NUT		01
04	0521017590	GUIDE AXLE		01
05	0503030553	2.3"X 2.5"X 0.2"COMPRESSION SPRING		01
06	0502012009	DRIVING AXLE RIGHT FOLLOWER		01
07	0501019734	FLAT WASHER		02
08	0502010710	RIGHT CAM, SMALLER		02
09	0503010003	1845 GREASE FITTING		02
10	0502012539	26Z P12,7 GEAR		01
11	0501019735	FLAT WASHER		01
12	0521017593	FLAT WASHER		01
13	0503010542	501045 CLAMPING RING (FOR AXLE)		01



Item	Code	Description	See page	DIR ESQ
01	0521013199	LOWER BEARING SEMI		03 03
02	0521062903	CARRYING-WHEELS PIVOT SHAFT		01 00
03	0521062904	PIVOT SHAFT		00 01
04	0503010899	5/8" X 2-1/4" BOLT		06 06
05	0501012140	FLAT WASHER		13 13
06	0531013922	0.6" X 0.8" X 1" SLEEVE		06 06
07	0503010027	5/8" SPRING WASHER		07 07
08	0503010013	5/8" NUT		07 07
09	0501110639	BEARING		04 04
10	0503011099	GREASE FITTING		04 04
11	0503010300	5/32" X 1" COTTERPIN		04 04
12	0551019114	MOTOR BEARING AXLE SUPPORT		02 02
13	0521014021	1/2" X 4.5" X 5.4" FASTENER		02 02
14	0511017302	FLAT WASHER		12 12
15	0503010019	1/2" SPRING WASHER		12 12
16	0503010060	1/2" NUT		11 11
17	0561016876	MOTOR SHAFT		01 01
18	0501018466	FLAT WASHER		02 02
19	0511015961	LOCK BUSHING		02 02
20	0503030679	BOLT 1/2 UNC X 1.1/4 CSPC G.5 ZN		02 02
21	0501052560	MOTOR AXLE SIGNAL		01 01
21A	0503031825	AXLE MOTOR SLOW-MOVING		01 01
21B	0503010240	BOLT		01 01
21C	0503010179	LOCK WASHER		01 01
21D	0503010337	5/16" NUT		01 01
22	0511051434	TRANSMISSION ACTUATOR	4	02 02
23	0511047069	RIGHT SIDE TRANSMISSION ACTUATOR	15	01 00
24	0511047070	LEFT SIDE TRANSMISSION ACTUATOR		00 01
25	0511047058	RIGHT GEAR BOX ASSY	13	01 00
26	0511047059	LH GEAR BOX ASSY	14	00 01
27	0501010243	1/2" X 1-1/2" BOLT		03 03

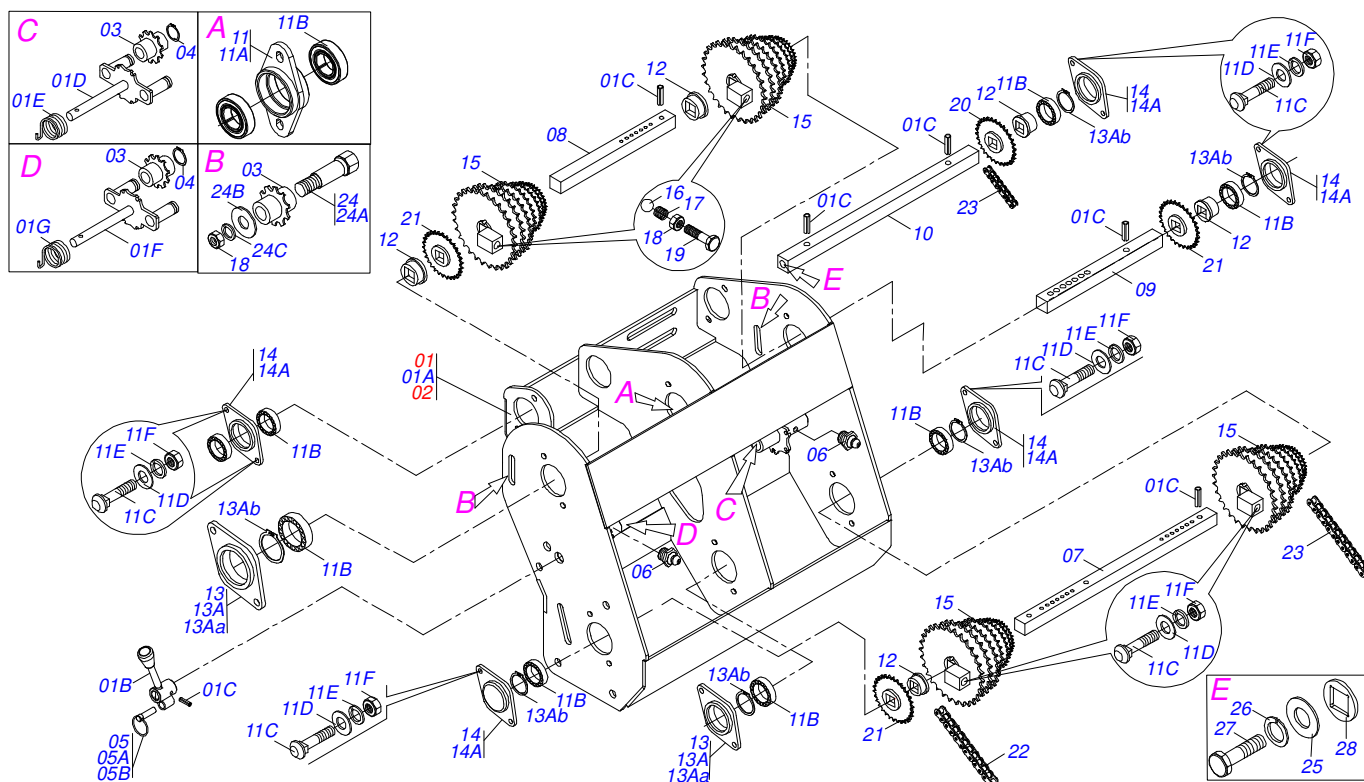
Item	Code	Description	See page	DIR ESQ
28	0503010920	1/2" X 1.1/2" BOLT		02 02
29	0503010020	1/2"NUT		03 03
30	0503010003	1845 GREASE FITTING		03 03
31	0511063105	34Z P 1/2" GEAR SQUARE HOLE 3/4"		01 01
32	0503030303	SUPPORT WASHER		03 03
33	0501010637	FLAT WASHER		01 01
34	0501055112	MICRO GRANULATED CHAIN TENSIONER		01 01
34A	0531019479	AXLE CHAIN GEAR		01 01
34B	0503031805	11Z 1/2" GEAR		01 01
35	0501058234	LOWER CHAIN TENSIONER		01 01
35A	0511062169	21Z P 1/2" GEAR		01 01
35B	0503011410	ROLLER BEARING		04 04
35C	0503011105	SEAL RING		02 02
35D	0551019171	CHAIN TIGHTENER AXLE		01 01
35E	0503010406	501025 CLAMPING RING (FOR AXLE)		03 03
35F	0501010163	5/8" X 4-1/2" BOLT		02 02
36	0501058235	STRETCHER CURRENT TOP SEED 17Z		01 01
36A	0502012367	17Z X P 1/2" GEAR INTERM		01 01
36B	0503012882	BEARING		01 01
36C	0503011945	503050 CLAMPING RING (FOR AXLE)		01 01
36D	0551019173	CHAIN SLEEVE TENSIONER		01 01
36E	0503011411	1/2" X 5-1/2" BOLT		01 01
37	0501058236	BEARING WITH 21Z GEAR		01 01
37A	0531017086	50 AXLETIGHTENER		01 01
37B	0503012412	5/8 UNC SELF LOCKING NUT		02 02
38	0501058237	16Z GEAR BEARING		01 01
38A	0511069680	20Z X 28Z DOBLE GEAR		01 01
38B	0551019174	DOBLE GEAR AXLE		01 01
38C	0503010967	SCREW 5/8 UNC X 5.1/2 CS G.5 ZN		01 01
39	0503012522	40-1 CHAIN X 85 LINK + MENDING		01 01
40	0503012707	40-1 CHAIN X 96 LINK + REDUCTION		01 01
41	0503016111	40-1 CHAIN X 109 LINK + MENDING		01 01
42	0503012718	40-1 CHAIN X 111 LINK + MENDING		01 01
43	0551019168	SLEEVE		01 01
44	0551019160	LEVER		01 01
45	0503010847	1/2" X 3.1/4" BOLT		01 01
46	0551019167	SLEEVE UNION		01 01
47	0511069676	INNER LEVER		01 01
48	0503011172	BOLT 1/2 UNC X 2.1/2 C S G.5 ZN		01 01
49	0503010140	1/8" X 3/4" COTTERPIN		03 03
50	0511069677	RH LOWER LEVER		01 00
51	0511069678	LH LOWER LEVER		00 01
52	0511069679	RH UPPER LEVER		01 01
53	0561016468	FASTENER		01 01
54	0503011336	1/2" HEX SELF ADJUSTING NUT		02 02
55	0501010984	FLAT WASHER 10,50 X 27 X 3,00 ZN		02 02
56	0503011750	AMENDMENT WITH LOCK		03 03
57	0503011751	REDUCTION		03 03
58	0521016941	PLATE FACTIONS		01 00
59	0531016941	LEFT 5/8" X 59" AXLE HEX		00 01
60	0501110037	AGRICULTURAL BEARING HEX SHAFT 5/8"		01 01
61	0502040723	5/8 HEX AXLE BEARING SLEEVE 5/8		01 01
62	0503010003	1845 GREASE FITTING		01 01
63	0503010365	NUT		02 02
64	0501010691			04 04
65	0503010179	LOCK WASHER		02 02
66	0503010337	5/16" NUT		02 02
67	0511015098	FLAT WASHER		01 01
68	0511017305	FLAT WASHER		02 02





**PST DUO  
TRANSMISSION**

Item	Code	Description	See page	DIR ESQ
69	0511065562	20Z GEAR		01 01
70	0502011299	BUSHING GEAR		01 01
71	0503010571	1/4" X 1.1/2 COTTERPIN		01 01
72	0503010010	1/4" X 2.1/2" COTTERPIN		01 01
73	0531012565	SLEEVE 16,3X 30 X 88		01 01
74	0503010967	SCREW 5/8 UNC X 5.1/2 CS G.5 ZN		01 01
75	0503010027	5/8" SPRING WASHER		01 01
76	0503010013	5/8" NUT		01 01



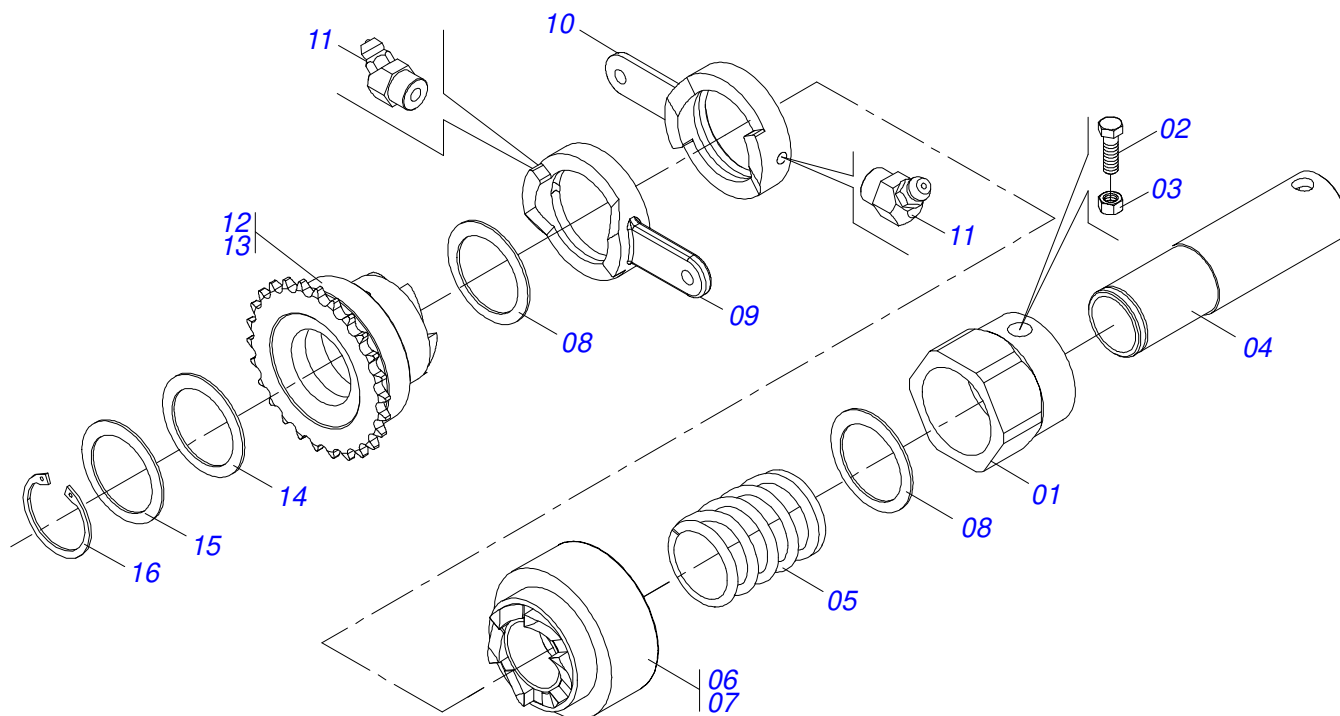
Item	Code	Description	See page	DIR ESQ
00	0511047058	RIGHT GEAR BOX ASSY	13	01 00
00A	0511047059	LH GEAR BOX ASSY	14	00 01
01	0501058212	SEMI MOUNTED RIGHT CHANGE		01 00
01A	0511069565	LEFT GEAR BOX		01 00
01B	0502011758	REAR TENSIONER LEVER		02 02
01C	0503010292	0.2" X 1.6" SPRING PIN		07 07
01D	0511061794	CHAIN TENSIONER		01 01
01E	0503031367	SPRING		01 01
01F	0511061795	CHAIN TENSIONER		01 01
01G	0503031367	SPRING		01 01
02	0501058213	LH GEAR BOX		00 01
03	0503031805	11Z 1/2" GEAR		06 06
04	0503010302	501019 SEAL RING		04 04
05	0501048790	AXLE WITH RING		02 02
05A	0521012476	GEAR BOX LEVER AXLE		02 02
05B	0503031369	LINK		02 02
06	0503010002	1800 GREASE FITTING		02 02
07	0551018209	DRIVING AXLE		01 01
08	0521018259	DRIVEN AXLE		01 01
09	0551018210	DRIVEN AXLE		01 01
10	0551018211	INTERM SHAFT		01 01
11	0501056447	CENTRAL DOUBLE GEAR HOUSING BEARING		01 01
11A	0502011978	HOUSING CENTRAL BEARING		01 01
11B	0503013462	BEARING WITH BALL BEARING		07 07
11C	0503011953	5/16" X 1" BOLT		16 16
11D	0501010694	FLAT WASHER		16 16
11E	0503010179	LOCK WASHER		16 16
11F	0503010337	5/16" NUT		16 16
12	0503030303	SUPPORT WASHER		05 05
13	0501056443	GEAR HOUSING BEARING		02 02
13A	0501056444	BEARING WITH ROLLING		02 02



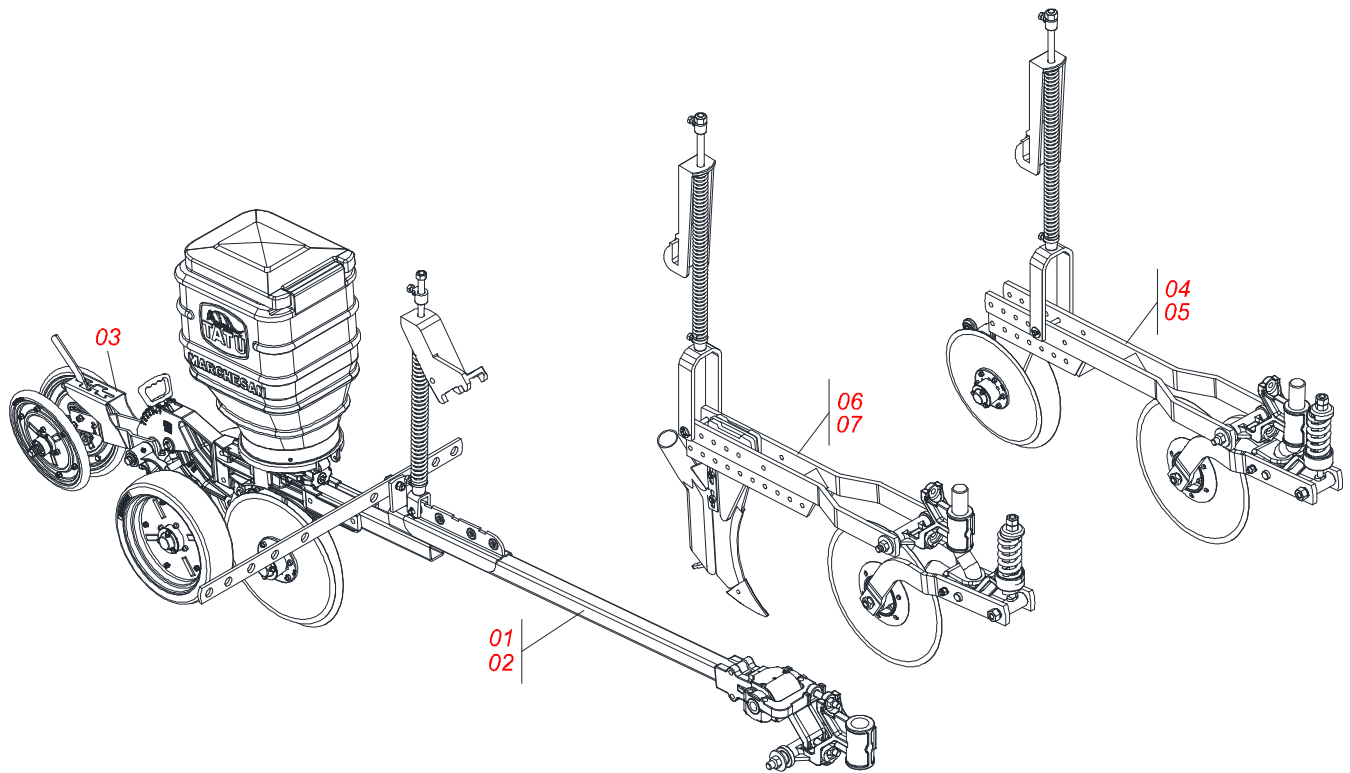
**PST DUO**  
**GEAR BOX ASSY**

Page 17  
0909093035

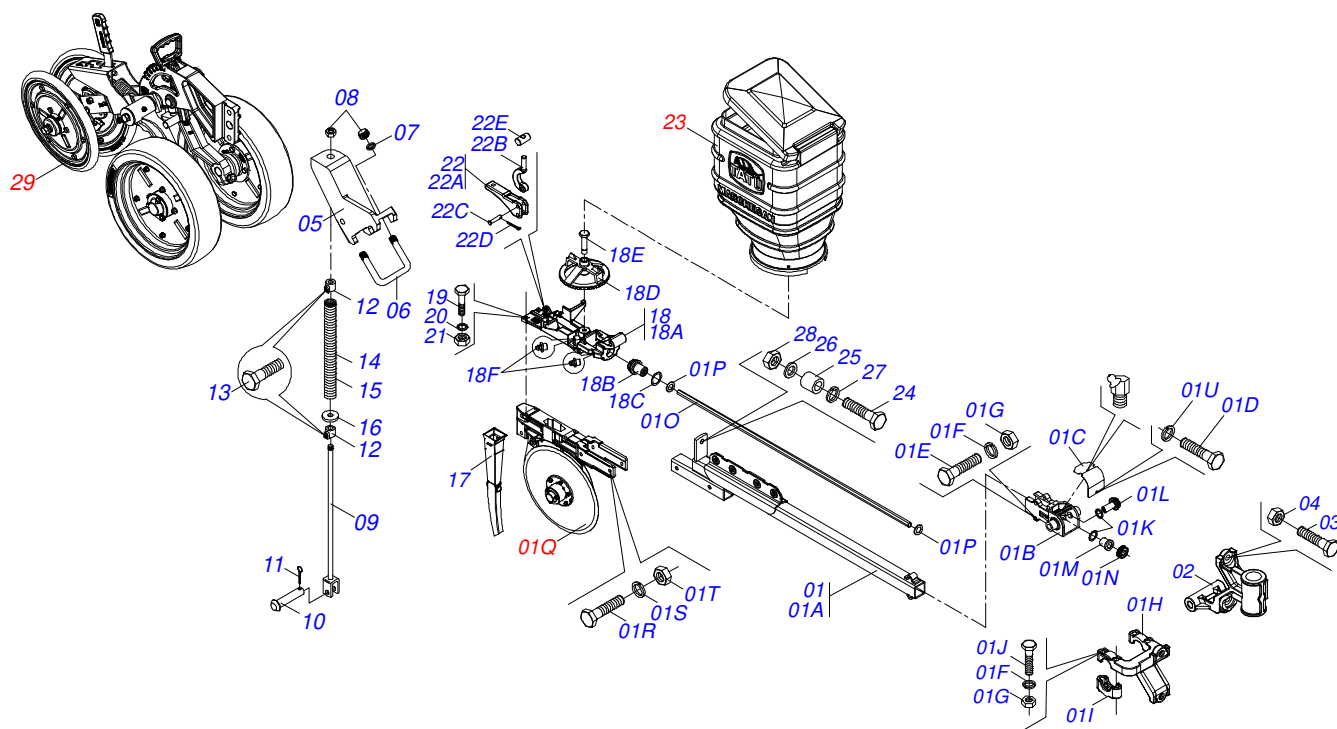
Item	Code	Description	See page	DIR ESQ
13Aa	0502011697	BEARING OF THE GEAR BOX		02 02
13Ab	0503011105	SEAL RING		07 07
14	0501056271	GEARBOX CLOSED BEARING		05 05
14A	0502012310	GEAR BOX CLOSE BEARING		05 05
15	0511060396	DRIVE/DRIVEN AXLE CONE		04 04
16	0503012389	1/2 BALL		04 04
17	0503031512	0.4" X 0.1" X 2" X 0.6" SPRING		04 04
18	0503010060	1/2" NUT		06 06
19	0503010395	1/2" X 1-1/4" BOLT		04 04
20	0511061830	17Z P 0.5" GEAR SQUARE HOL		02 02
21	0511067501	26Z GEAR		01 01
22	0503012204	40-1 CHAIN X 82 LINK + RED		02 02
23	0503012713	40-1 CHAIN X 45 LINK + MEN		01 01
24	0501054655	CHAIN TENSIONER ASSY		02 02
24A	0531019479	AXLE CHAIN GEAR		02 02
24B	0511017302	FLAT WASHER		02 02
24C	0503010019	1/2" SPRING WASHER		02 02
25	0501010984	FLAT WASHER 10,50 X 27 X 3,00 ZN		01 01
26	0503010025	3/8" SPRING WASHER		01 01
27	0503010256	3/8" X 3/4" BOLT		01 01
28	0521018630	1.4" X SQUARE 0.8" WASHER		01 01



Item	Code	Description	See page	DR	ES
00	0511047069	RIGHT SIDE TRANSMISSION ACTUATOR	15	01	00
00A	0511047070	LEFT SIDE TRANSMISSION ACTUATOR		00	01
01	0502011996	SLEEVE FIXER		01	01
02	0503030678	BOLT 1/2 UNC X 1.1/2 CSPC G.5 ZN		01	01
03	0503010060	1/2" NUT		01	01
04	0521017590	GUIDE AXLE		01	01
05	0503030553	2.3"X 2.5"X 0.2"COMPRESSION SPRING		01	01
06	0502012009	DRIVING AXLE RIGHT FOLLOWER		01	00
07	0502011995	LH DRIVING AXLE FOLLOWER		00	01
08	0501019734	FLAT WASHER		02	02
09	0502010710	RIGHT CAM, SMALLER		02	00
10	0502010720	RIGHT CAM, SMALLER		00	02
11	0503010003	1845 GREASE FITTING		02	02
12	0502012539	26Z P12,7 GEAR		01	00
13	0502012540	26Z P12,7 GEAR		00	01
14	0501019735	FLAT WASHER		01	01
15	0521017593	FLAT WASHER		01	01
16	0503010542	501045 CLAMPING RING (FOR AXLE)		01	01



Item	Code	Description	See page
01	0511051243	SHORT SEED ROW FRONT	
02	0511051244	LONG FRONT SEED ROW	
03	0511049343	SEED ROW REAR	
04	0501058191	RH LONG FERT. ROW W/DDD ASSY	
05	0501058190	LH SHORT FERT. ROW W/DDD ASSY	
06	0501058271	SHORT FERTILIZER LINE S/DDD/H	
07	0501058272	LONG FERTILIZER LINE S/DDD/H	

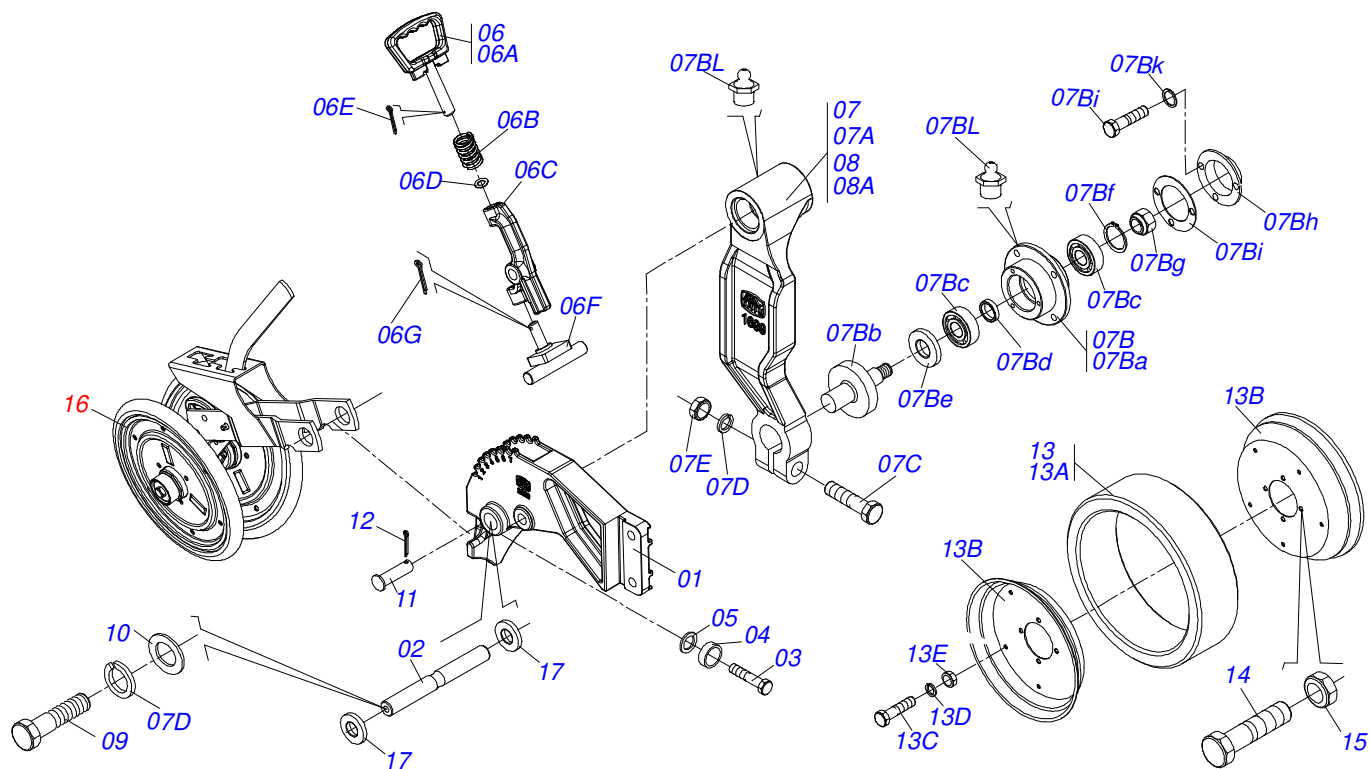


Item	Code	Description	See page
00	0511056600	FRONT LINE SEED SHORT DDD RIGHT	01 00
00A	0511056601	LONG SEED ROW FRONT DDD LEFT	00 01
01	0511056554	SHORT SEED ROW FRONT	01 00
01.	0511056555	LONG SEED ROW FRONT	00 01
01A	0521062183	SHORT SEED ROW ARM	01 00
01A.	0521062184	LONG SEED ROW ARM	00 01
01B	0502011830	ARTICULACCION SUPPORT	01 01
01C	0521018079	SEEP ROW DRAWBAR COVER	01 01
01D	0503014729	1/4" UNF X 1/2" BOLT	02 02
01E	0503010752	1/2" X 3.1/2" BOLT	02 02
01F	0503011440	SPRING WASHER	06 06
01G	0503010060	1/2" NUT	06 06
01H	0502011561	BEARING SEMI	01 01
01I	0502010426	UPPER BEARING SEMI	02 02
01J	0503010479	BOLT	04 04
01K	0501013354	FLAT WASHER	01 01
01L	0502011400	18Z CONICAL GEAR	01 01
01M	0502011296	1/2 HEX AXLE BEARING SLEEVE	01 01
01N	0502011505	18Z CONICAL GEAR	01 01
01O	0521018077	1/2" X 58.6" HEX AXLE	01 01
01O.	0521018078	1/2" X 66.5" HEX AXLE	01 01
01P	0501013352	FLAT WASHER	04 04
01Q	0511056585	RIGHT 15" X 15" DOUBLE DISC SEED	01 00
01Q.	0511056586	15 X 15 SEED DDD LEFT	00 01
01R	0503010706	BOLT 1/2 UNC X 4.1/2 C S G.5 ZN	02 02
01S	0503010019	1/2" SPRING WASHER	02 02
01T	0503010060	1/2" NUT	02 02
02	0502011567	FERTILIZER ROW SUPPORT	01 01
03	0511816156	BOLT	02 02
04	0503012412	5/8 UNC SELF LOCKING NUT	02 02
05	0502012538	SPRING VARON SUPPORT	01 01



**PST DUO**  
**SEED ROW**

Item	Code	Description	See page
06	0521014021	1/2" X 4.5" X 5.4" FASTENER	01 01
07	0511017302	FLAT WASHER	02 02
08	0503011336	1/2" HEX SELF ADJUSTING NUT	02 02
09	0511060376	SEED SPRING GUIDE	01 01
10	0521010542	COUPLING SHAFT	01 01
11	0503010257	1/8" X 1" COTTERPIN	01 01
12	0502040534	SPRING GUIDE BUSHING LOCK	01 01
13	0503010834	1/2 X 1 BOLT	02 02
14	0503031340	1.7"X 19" X 0.3" COMPRESSION SPRING	01 01
15	0503031339	1" X 19" X 0.1" COMPRESSION SPRING	01 01
16	0501013753	FLAT WASHER	01 01
17	0503033672	NOZZLE WITHOUT TITANIUM	01 01
18	0511051693	BASE FIXING SYSTEM	01 01
18A	0502012704	BASE FIXING SYSTEM	01 01
18B	0502011411	10Z CONICAL GEAR	01 01
18C	0501013354	FLAT WASHER	01 01
18D	0502011418	40Z CONICAL GEAR	01 01
18E	0511018700	AXLE	01 01
18F	0503010002	1800 GREASE FITTING	02 02
19	0503015920	3/8" UNC X 1.3/4" BOLT	04 04
20	0503010025	3/8" SPRING WASHER	04 04
21	0503010026	3/8" NUT	04 04
22	0511052024	FAST CLOSING SET	01 01
22A	0502012744	SPEED LOCK LEVER ASSY	01 01
22B	0571011803	PRISONER CLOSE FAST	01 01
22C	0571014024	FAST BOLT GUIDE AXLE	02 02
22D	0503010257	1/8" X 1" COTTERPIN	02 02
22E	0571011804	FAST BOLT ADJUSTMENT	01 01
23	0511057017	SEED SYSTEM ASSY	01 01
24	0503010740	BOLT 1/2 UNC X 2 CS G.5 ZN	02 02
25	0521010505	13,50 X 19,00 X 21,50 SLEEVE	02 02
26	0511017302	FLAT WASHER	02 02
27	0503011440	SPRING WASHER	02 02
28	0503010060	1/2" NUT	02 02
29	0521046122	DEPTH SYSTEM / COMPACTOR ASSY	07 07



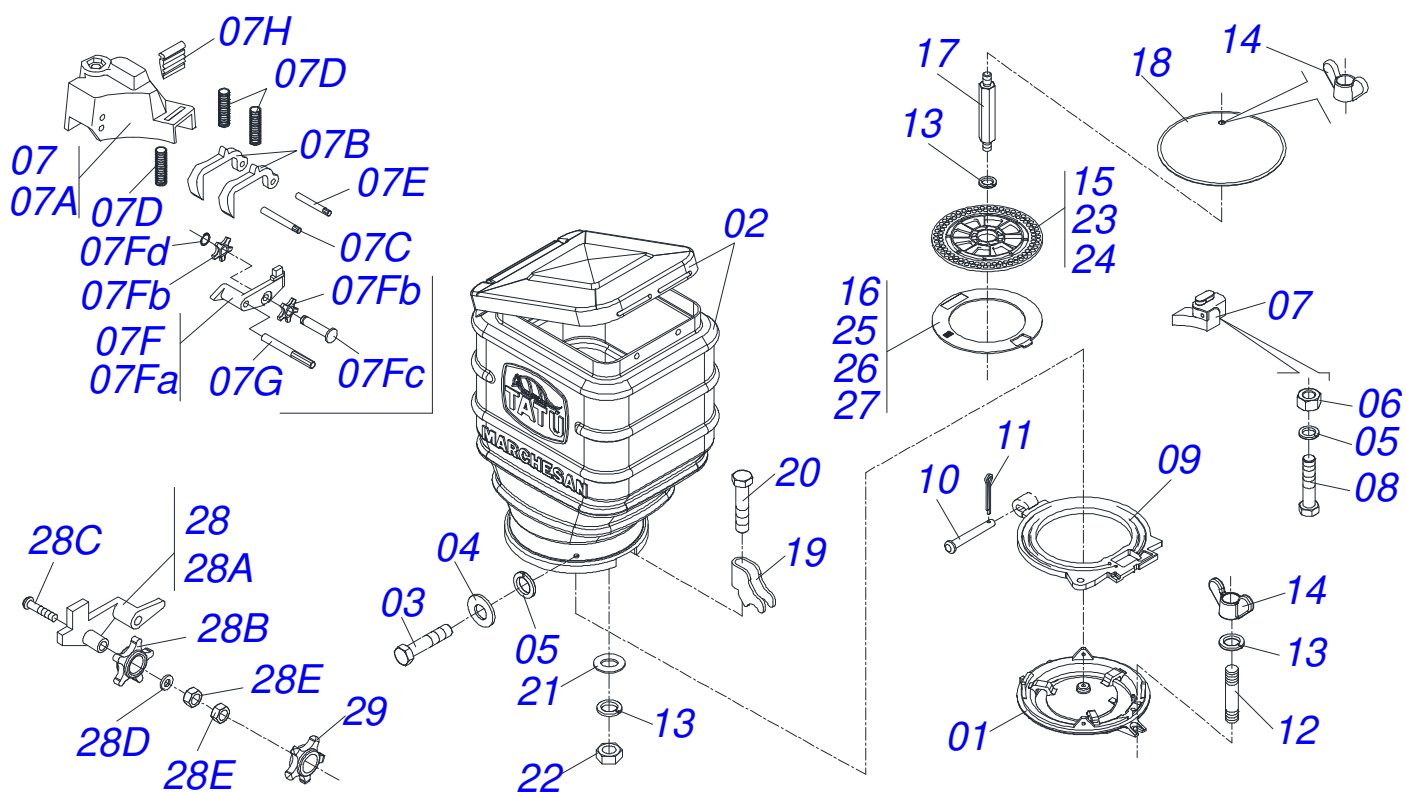
Item	Code	Description	See page
00	0511049343	SEED ROW REAR	01
01	0502012282	DEPTH CONTROL SUPPORT	01
02	0531010765	DEPTH WHEEL AXLE	01
03	0503010256	3/8" X 3/4" BOLT	01
04	0521010480	1" X 1.2" X 0.4" ARTICULAT SLEEVE	02
05	0511015346	FLAT WASHER	04
06	0511069633	PRESS WHEELS COMPACTOR	01
06A	0502011689	1/8" DEPTH CONTROL LEVER	01
06B	0503030975	0.9" X 1.5" X 0.1" SPRING	01
06C	0502011688	DEPTH CONTROL LEVER	01
06D	0511015976	FLAT WASHER	01
06E	0503010257	1/8" X 1" COTTERPIN	01
06F	0511060699	DEPTH WHEEL STOP	01
06G	0503010071	3/16" X 1" COTTERPIN	01
07	0501058576	RIGHT WHEEL ARM	01
07A	0502012553	DEPTH WHEEL RIGHT ARM	01
07B	0501052627	ASSY DEPTH WHEEL HUB	01
07Ba	0502011907	DEPTH CONTROL WHEEL HUB	02
07Bb	0511060927	DEPTH CONTROL AXLE WITH DUST CLOAK	01
07Bc	0503010269	6204 BALL BEARING	02
07Bd	0501013636	SPACING SLEEVE	02
07Be	0503010689	SEAL 00763-BR	01
07Bf	0503011105	SEAL RING	01
07Bg	0503010878	5/8" SELF ALIGNING NUT	02
07Bh	0521019178	COVER DEPTH	02
07Bi	0503030757	2.9" X 2" X 0.02" JOINT	02
07Bj	0503013758	1/4" X 1-1/2" BOLT	06
07Bk	0503011441	SPRING WASHER	06
07Bl	0503010691	1/4" GREASE FITTING	02
07C	0503010740	BOLT 1/2 UNC X 2 CS G.5 ZN	01
07D	0503011440	SPRING WASHER	01





**PST DUO**  
**REAR SEED ROW**

Item	Code	Description	See page
07E	0503010060	1/2" NUT	01
07F	0503015021	6871-GA SEAL RING	02
08	0501058577	RIGHT ARM DEPTH CONTROL WHEEL	01
08A	0502012552	LH ARM DEPTH CONTROL WHEEL	01
09	0503010311	1/2" X 1-1/4" BOLT	02
10	0511017302	FLAT WASHER	02
11	0521019093	0.6" X 2.7" PIVOT SHAFT	01
12	0503010257	1/8" X 1" COTTERPIN	01
13	0501052538	DEPTH BAND WITH ARMS	02
13A	0503030551	DEPTH CONTROL WHEEL RUBBER BAND	01
13B	0521010832	RIM FLANGE	02
13C	0503010298	1/4" X 1/2" BOLT	05
13D	0503010143	1/4" SPRING WASHER	05
13E	0503010144	1/4" NUT	05
14	0503010358	5/16" X 5/8" BOLT	08
15	0503013816	5/16" LOCKNUT	08
16	0501052908	COMPACTOR WHEEL WITH BEARING	02
17	0503015021	6871-GA SEAL RING	02

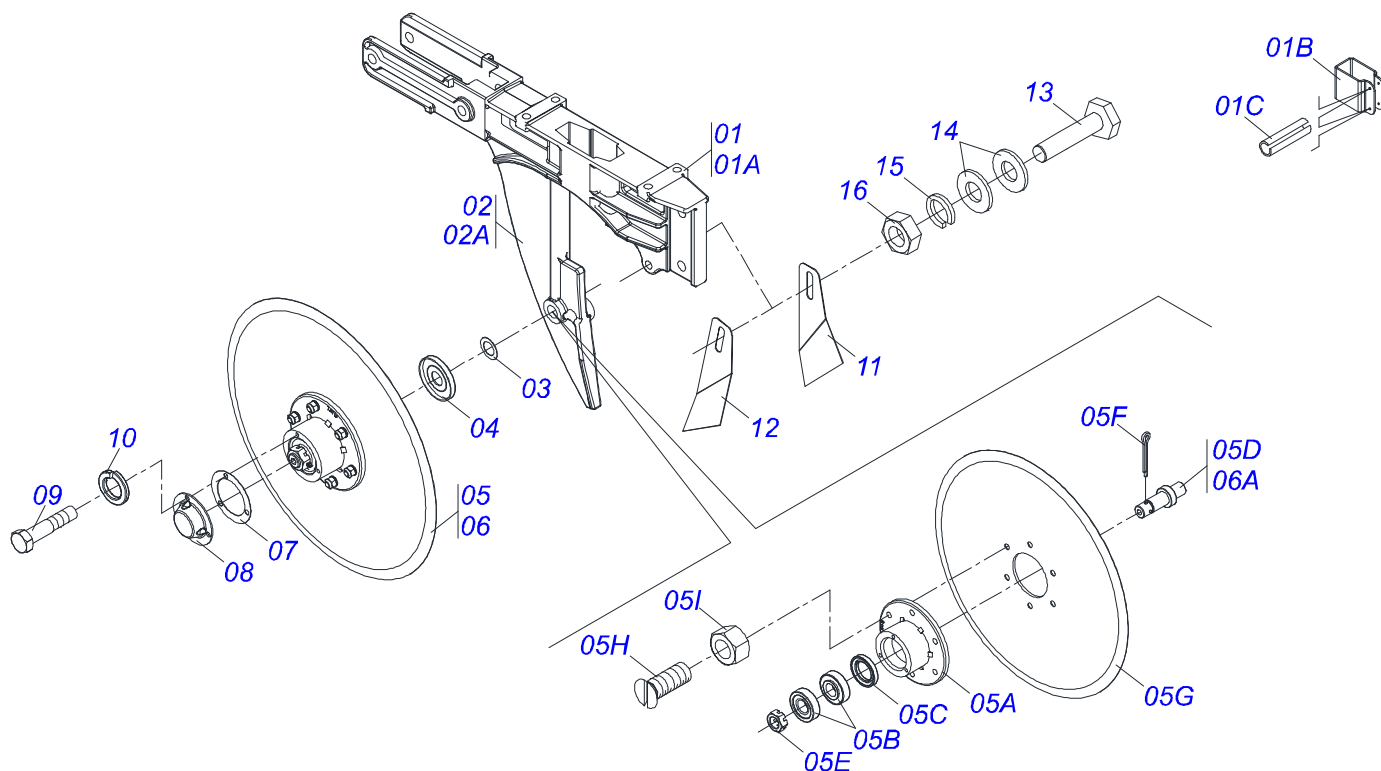


Item	Code	Description	See page
00	0501052234	ASSY SEED SYSTEM	01
01	0502020324	SEED BOX SUPPORT	01
02	0503031508	COVER GREEN BEAM SEED YELLOW	01
03	0503010295	SCREW 5/16 UNC X 5/8 CS G.2 ZN	04
04	0501010694	FLAT WASHER	04
05	0503010179	LOCK WASHER	05
06	0503010337	5/16" NUT	01
07	0501051094	ASSY SEED DISTRIBUTOR	01
07A	0503030381	SEED DISTRIBUTOR BOX	01
07B	0502010447	TRIGGER	02
07C	0501013467	KEY AXLE	01
07D	0503030378	0.4" X 1.1" X 0.03" SPRING	03
07E	0501013466	KEY LIMITER AXLE	01
07F	0501051119	DOUBLE PULLEY ROCKER'S	01
07Fa	0503031129	DOUBLE PULLEY ROCKER ARM	01
07Fb	0503031128	5Z PLASTIC DOUB PULLEY FOR SOYBEAN	02
07Fc	0503031130	PIN OF THE PULLEY	01
07Fd	0503011853	503050 CLAMPING RING (FOR HOLE)	01
07G	0501013468	ROCKER ARM AXLE, OF THE PULLEY	01
07H	0503030377	SCRAPER	01
08	0503010675	5/16" X 2.1/4" BOLT	01
09	0502010408	SEED DISC LOWER TRAIL	01
10	0521010536	0.3" X 3.8" COUPLING SHAFT	01
11	0503010140	1/8" X 3/4" COTTERPIN	01
12	0503030083	3/8" X 3/8" X 1.6" STUD	01
13	0503010025	3/8" SPRING WASHER	03
14	0503010209	3/8" UNC BUTTERFLY NUT	14
15	0503016217	SOYBEAN SEED DISC 34 OBLONG	01
16	0503016219	RING TO SOYBEANS	01
17	0511013590	HEX STUD 3/8" X 3/8"	01
18	0511013494	DEFLECTOR	01



**PST DUO**  
**SEED ASSY**

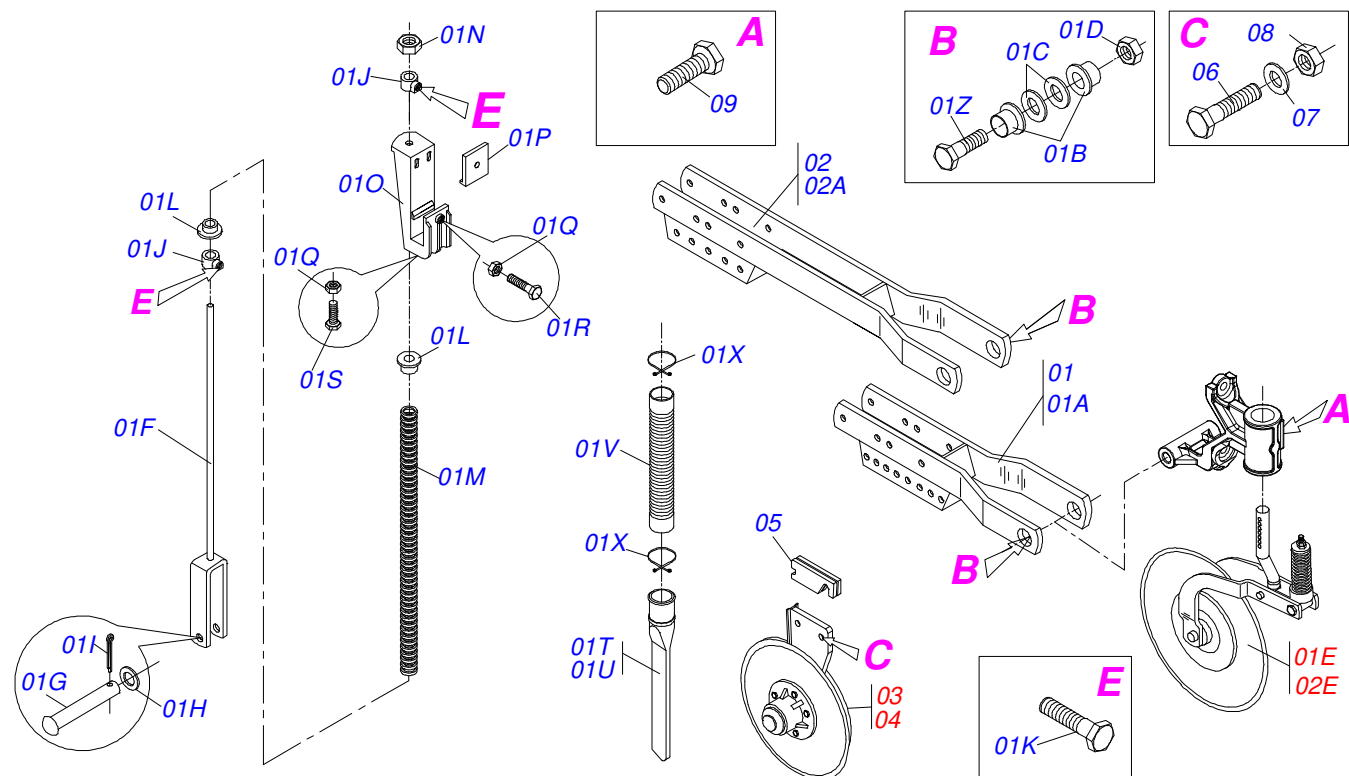
Item	Code	Description	See page
19	0531018622	BOLT FAST SUPPORT UPPER	01
20	0501010096	3/8" X 2" BOLT	01
21	0501010984	FLAT WASHER 10,50 X 27 X 3,00 ZN	01
22	0503010026	3/8" NUT	01
23	0503016204	CORN DISK 12 ORANGE	01
24	0503016218	DISC OF SOYBEAN	01
25	0503016214	RING CORN (APOLLO740)	01
26	0503016220	RING TO SOYBEANS (APOLLO 745)	01
27	0503016221	RING TO SOYBEANS (APOLLO 571)	01
28	0501050120	LARGER WALKING BEAM ASSY	01
28A	0503030379	LARGER ROCKER ARM	01
28B	0502060001	PLASTIC PULLEY FOR MAIZE	01
28C	0503010803	SCREW 3/16 UNC X 3/4 CAF G.2 ZN	01
28D	0503010669	FLAT WASHER	01
28E	0503010667	3/16" NUT	02
29	0503030558	PULLEY 4Z CORN PLASTIC	01



Item	Code	Description	See page	DIR	ESQ
00	0501059631	DDD SEED 15 X 15 RIGHT		01	00
00A	0501059632	DDD SEED 15X15 LEFT		00	01
01	0511052301	SUPPORT DDD 15 RIGHT		01	00
01A	0561015591	15"X15" RIGHT DOUBLE DISC SUPPORT		01	00
01B	0571012491	SOCKET SEED GUIDE		01	01
01C	0503010838	0.1" X 0.8" SPRING PIN		02	02
02	0511052302	LH SUPPORT DDD GUIDE		00	01
02A	0561015592	LEFT DOUBLE DISC SUPPORT		00	01
03	0511015098	FLAT WASHER		06	06
04	0511011927	DUST CLOAK		02	02
05	0501054167	15" RIGHT OPENING DISC HUB		01	00
05A	0502011930	OPENING DISCS HUB		02	02
05B	0503010598	30204 BALL BEARING		04	04
05C	0503011112	SEAL 02376-BRG		02	02
05D	0521019154	RIGHT DOUB DISC HUB		01	00
05E	0503030282	3/4" CASTLE NUT		02	02
05F	0503010257	1/8" X 1" COTTERPIN		02	02
05G	0603022042	13" X 0.12" PLAIN COULTER BLADE		02	02
05H	0503010546	5/16" X 7/8" BOLT		12	12
05I	0503010337	5/16" NUT		12	12
06	0501054168	15" LEFT OPENING DISC HUB		00	01
06A	0521019148	LEFT DOUBLE DISC HUB		00	01
07	0503030757	2.9" X 2" X 0.02" JOINT		02	02
08	0521019178	COVER DEPTH		02	02
09	0503014729	1/4" UNF X 1/2" BOLT		06	06
10	0503011441	SPRING WASHER		06	06
11	0561010264	RH DOUBLE DISC SCRAPER - STARTING 04/18		01	01
12	0561010265	LH DOUBLE DISC SCRAPER - STARTING 04/18		01	01
13	0503010751	C3/8" X 1.1/4" HEX BOLT G.5		01	01
14	0501010984	FLAT WASHER 10,50 X 27 X 3,00 ZN		02	02
15	0503011443	3/8" SPRING WASHER		01	01



Item	Code	Description	See page	DIR	ESQ
16	0503010026	3/8" NUT		01	01



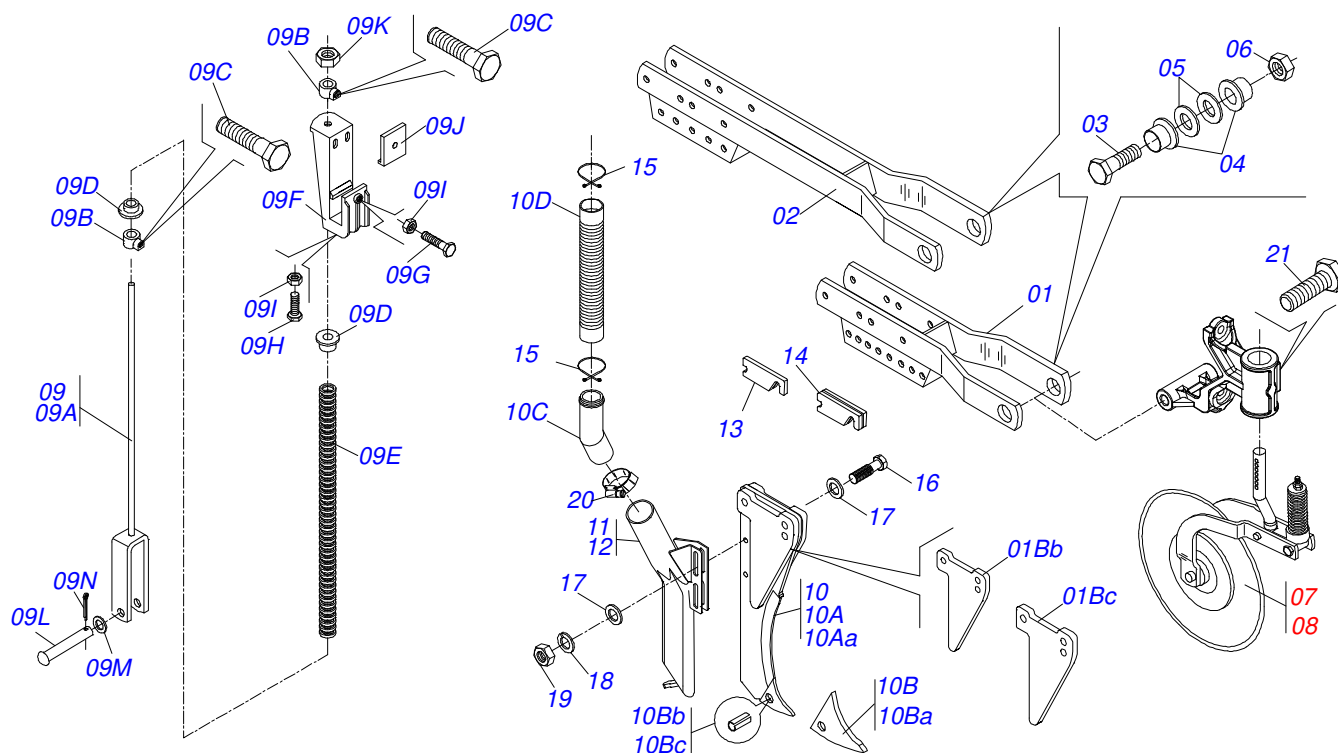
Item	Code	Description	See page	DIR	ESQ
00	0501058191	RH LONG FERT. ROW W/DDD ASSY		01	
00A	0501058190	LH SHORT FERT. ROW W/DDD ASSY		01	
01	0501058185	LH FERTILIZER W/DDD ROW ARM		01	
01A	0521061121	SHORT FERTILIZER ROW ARM		01	01
01B	0521017831	SUPPORT SLEEVE SPACER		02	02
01C	0511017232	FLAT WASHER		02	02
01D	0503011255	3/4" LOCK NUT		01	01
01E	0511044549	18" COULTER BLADE ASSY FOR SHORT ROW		01	01
01F	0511069645	FERTILIZER SPRING ROD		01	01
01G	0561014471	COUPLING SHAFT		01	01
01H	0511017302	FLAT WASHER		01	01
01I	0503010257	1/8" X 1" COTTERPIN		01	01
01J	0502012196	SPRING GUIDE BEARING LOCK		02	02
01K	0501018535	1/2 X 1 BOLT		02	02
01L	0502012184	FERTILIZER SPRING GUIDE		02	02
01M	0503031910	1.7" X 22.8" X 0.3" SPRING		01	01
01N	0503010014	3/4" NUT		01	01
01O	0502012510	SPRING ROD SUPPORT		01	01
01P	0502010891	SPRING CHOCK SUPPORT VARON		01	01
01Q	0503010060	1/2" NUT		02	02
01R	0503030679	BOLT 1/2 UNC X 1.1/4 CSPC G.5 ZN		01	01
01S	0503030678	BOLT 1/2 UNC X 1.1/2 CSPC G.5 ZN		01	01
01T	0503030391	RIGHT FERTILIZER NOZZLE		01	01
01U	0503030392	LEFT FERTILIZER NOZZLE		01	01
01V	0503031145	2" X 2" X 20" HOSE		01	01
01X	0503031076	2" HOSE CLAMP		02	02
01Z	0501010066	3/4" X 9" BOLT		01	01
02	0501058186	RH FERTILIZER W/DDD LONG ROW ARM		01	
02A	0521061153	FERTILIZER ROW LONG ARM		01	
02E	0511044573	18" COULTER BLADE ASSY FOR LONG ROW		01	
02E.	0511044549	18" COULTER BLADE ASSY FOR SHORT ROW		01	



**PST DUO**  
**FERTILIZER ROW ASSY**

Page 24  
0909093323

Item	Code	Description	See page	DIR	ESQ
03	0501052977	LEFT FERTILIZER DOUBLE DISC	28	01	
04	0501052976	RIGHT FERTILIZER DOUBLE DISC	27	01	
05	0511018662	SPACING PLATE		04	04
06	0503010547	1/2" X 4" BOLT		02	02
07	0503011440	SPRING WASHER		02	02
08	0503010060	1/2" NUT		02	02
09	0511016156	BOLT 5/8 UNC X1.1/2 CS PC G.5 ZN		02	02



Item	Code	Description	See page	CT	LG
00	0501058271	SHORT FERTILIZER LINE S/DDD/H		01	
00A	0501058272	LONG FERTILIZER LINE S/DDD/H		01	
01	0521061121	SHORT FERTILIZER ROW ARM		01	
02	0521061153	FERTILIZER ROW LONG ARM		01	
03	0501010066	3/4" X 9" BOLT		01	01
04	0521017831	SUPPORT SLEEVE SPACER		02	
05	0511017232	FLAT WASHER		02	
06	0503011255	3/4" LOCK NUT		01	01
07	0511044549	18" COULTER BLADE ASSY FOR SHORT ROW		01	
08	0511044573	18" COULTER BLADE ASSY FOR LONG ROW		01	
09	0501058423	FERTILIZER ROD SPRING ROW		01	01
09A	0511069645	FERTILIZER SPRING ROD		01	01
09B	0502040534	SPRING GUIDE BUSHING LOCK		02	02
09C	0503010834	1/2 X 1 BOLT		02	02
09D	0502012184	FERTILIZER SPRING GUIDE		02	02
09E	0503031910	1.7" X 22.8" X 0.3" SPRING		01	01
09F	0502012510	SPRING ROD SUPPORT		01	01
09G	0503030679	BOLT 1/2 UNC X 1.1/4 CSPC G.5 ZN		01	01
09H	0503030678	BOLT 1/2 UNC X 1.1/2 CSPC G.5 ZN		01	01
09I	0503010060	1/2" NUT		02	02
09J	0502010891	SPRING CHOCK SUPPORT VARON		01	01
09K	0503010014	3/4" NUT		01	01
09L	0561014471	COUPLING SHAFT		01	01
09M	0511017302	FLAT WASHER		01	01
09N	0503010257	1/8" X 1" COTTERPIN		01	01
10	0501110231	SCARIFIER HEAD WITH SPIKE 0061		01	01
10A	0511061768	FERTILIZER SCARIFIER ROD		01	01
10Aa	0521013577	TURNBUCLE BODY		01	01
10Ab	0521017616	SMALLER SPACER		01	01
10Ac	0531016252	LARGER SPACER		01	01
10B	0501056132	POINT SUBSOILER		01	01

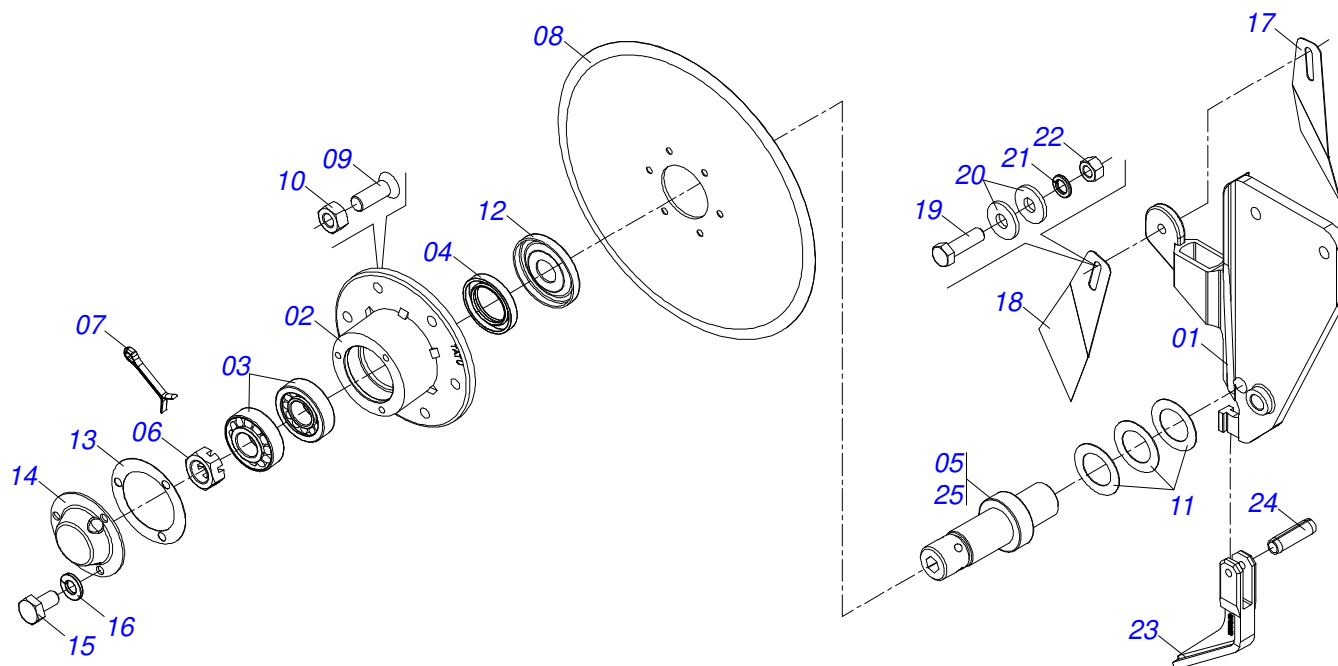




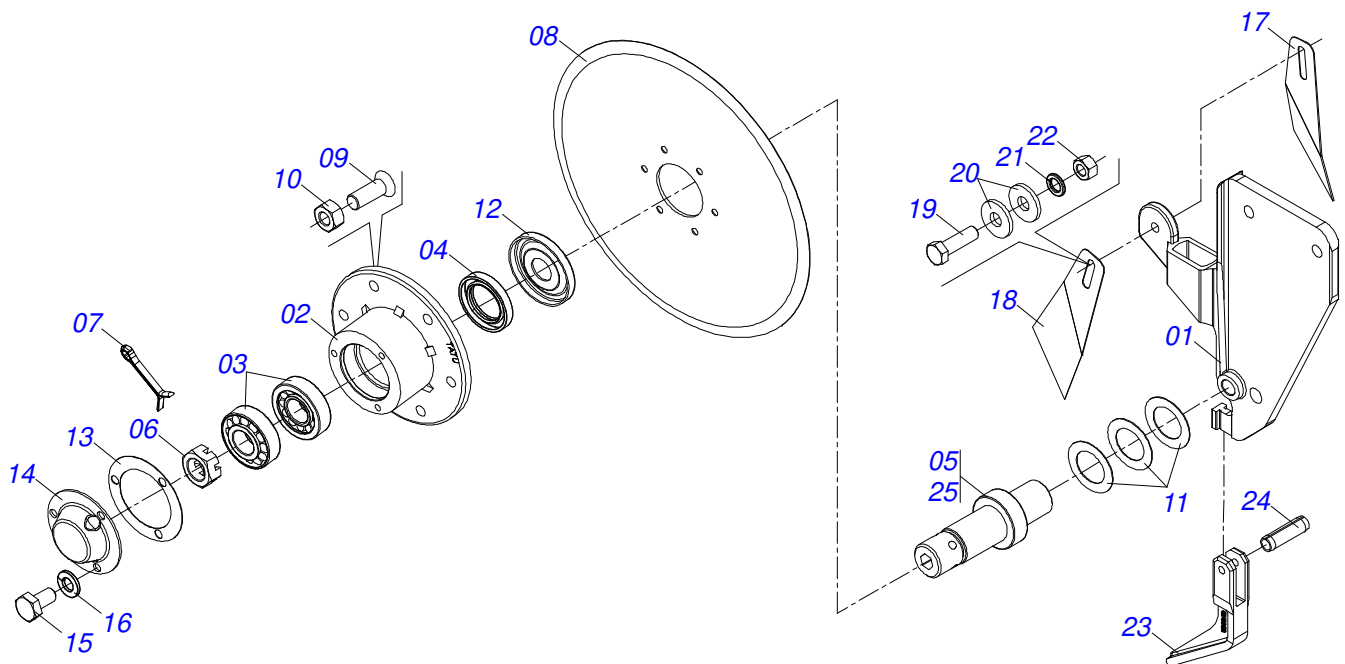
FERTILIZER ROW SCARIFIER SPINDLE

0909093324

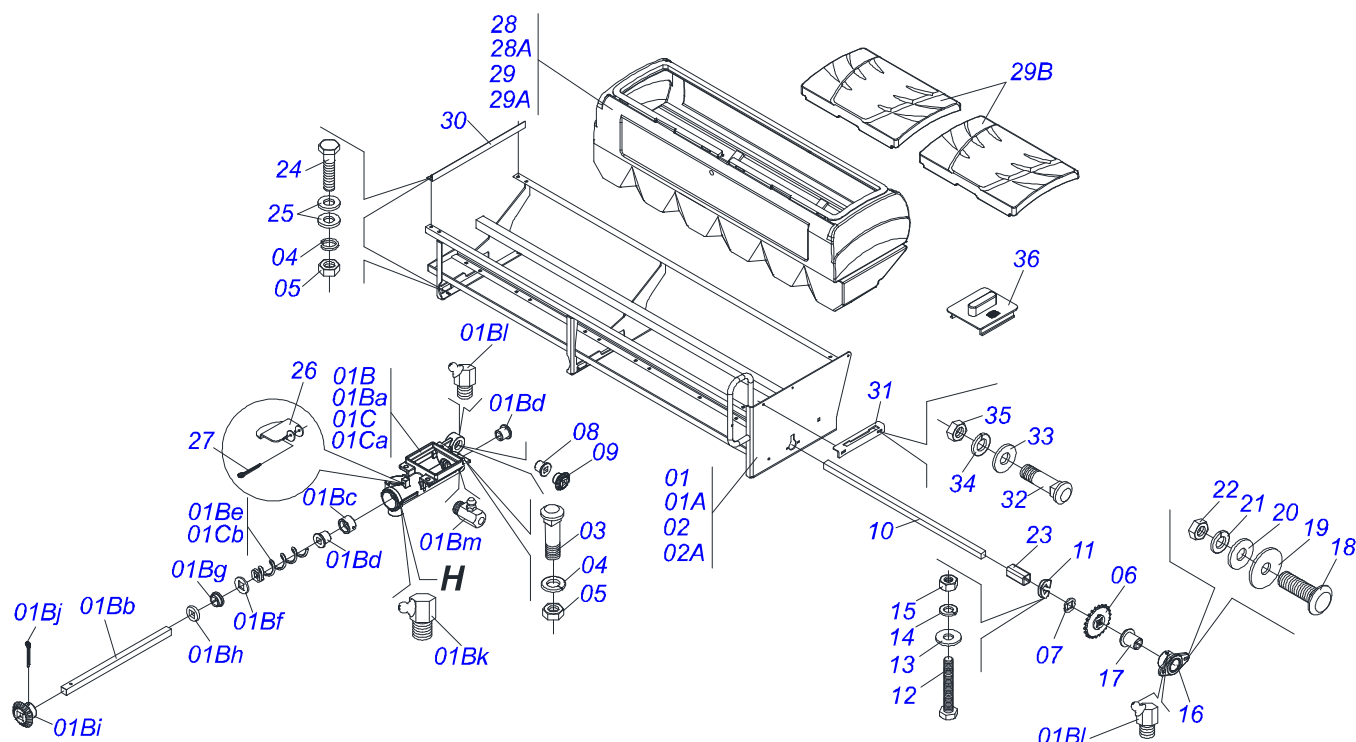
Item	Code	Description	See page	CT	LG
10Ba	0502070061	POINT SUBSOILER		01	01
10Bb	0503010585	0,24" X 1.18" SPRING PIN		01	01
10Bc	0503011373	0.4" X 1.1" SPRING PIN		01	01
10C	0503031050	CURVED CONDUCTOR		01	01
10D	0503031145	2" X 2" X 20" HOSE		01	01
11	0511061769	RIGHT FERTILIZER CONDUCTOR WITH REGULATOR		01	
12	0511061770	LEFT CONDUCTOR FERTILIZER WITH REGULATOR			01
13	0511017969	0.1" SPACING PLATE		01	01
14	0511018662	SPACING PLATE		01	01
15	0503031076	2" HOSE CLAMP		01	01
16	0503010751	C3/8" X 1.1/4" HEX BOLT G.5		01	01
17	0503010025	3/8" SPRING WASHER		01	01
18	0501010984	FLAT WASHER 10,50 X 27 X 3,00 ZN		01	01
19	0503010026	3/8" NUT		01	01
20	0503010246	CLAMP		01	01
21	0511016156	BOLT 5/8 UNC X1.1/2 CS PC G.5 ZN		01	01
22	0501018535	1/2 X 1 BOLT		02	02



Item	Code	Description	See page	QT
01	0502011160	15"X15" RIGHT DOUBLE DISC SUPPORT	01	
02	0502011930	OPENING DISCS HUB	02	
03	0503010598	30204 BALL BEARING	04	
04	0503011112	SEAL 02376-BRG	02	
05	0521019148	LEFT DOUBLE DISC HUB	01	
06	0503030282	3/4" CASTLE NUT	02	
07	0503010257	1/8" X 1" COTTERPIN	02	
08	0603022042	13" X 0.12" PLAIN COULTER BLADE	02	
09	0503010546	5/16" X 7/8" BOLT	12	
10	0503010337	5/16" NUT	12	
11	0511015098	FLAT WASHER	06	
12	0511011927	DUST CLOAK	02	
13	0503030757	2.9" X 2" X 0.02" JOINT	02	
14	0521019178	COVER DEPTH	02	
15	0503014729	1/4" UNF X 1/2" BOLT	06	
16	0503011441	SPRING WASHER	06	
17	0501017542	LH DOUBLE DISC SCRAPER	01	
18	0501017541	RIGHT DOUBLE DISC SCRAPER	01	
19	0503010751	C3/8" X 1.1/4" HEX BOLT G.5	01	
20	0501010984	FLAT WASHER 10,50 X 27 X 3,00 ZN	02	
21	0503011443	3/8" SPRING WASHER	01	
22	0503010026	3/8" NUT	01	
23	0502070062	SCRAPER	01	
24	0503011402	0.2" X 0.8" SPRING PIN	01	
25	0521019154	RIGHT DOUB DISC HUB	01	



Item	Code	Description	See page	QT
01	0502011161	15"X15" LEFT DOUBLE DISC SUPPORT	01	
02	0502011930	OPENING DISCS HUB	02	
03	0503010598	30204 BALL BEARING	04	
04	0503011112	SEAL 02376-BRG	02	
05	0521019148	LEFT DOUBLE DISC HUB	01	
06	0503030282	3/4" CASTLE NUT	02	
07	0503010257	1/8" X 1" COTTERPIN	02	
08	0603022042	13" X 0.12" PLAIN COULTER BLADE	02	
09	0503010546	5/16" X 7/8" BOLT	12	
10	0503010337	5/16" NUT	12	
11	0511015098	FLAT WASHER	06	
12	0511011927	DUST CLOAK	02	
13	0503030757	2.9" X 2" X 0.02" JOINT	02	
14	0521019178	COVER DEPTH	02	
15	0503014729	1/4" UNF X 1/2" BOLT	06	
16	0503011441	SPRING WASHER	06	
17	0501017542	LH DOUBLE DISC SCRAPER	01	
18	0501017541	RIGHT DOUBLE DISC SCRAPER	01	
19	0503010751	C3/8" X 1.1/4" HEX BOLT G.5	01	
20	0501010984	FLAT WASHER 10,50 X 27 X 3,00 ZN	02	
21	0503011443	3/8" SPRING WASHER	01	
22	0503010026	3/8" NUT	01	
23	0502070062	SCRAPER	01	
24	0503011402	0.2" X 0.8" SPRING PIN	01	
25	0521019154	RIGHT DOUB DISC HUB	01	



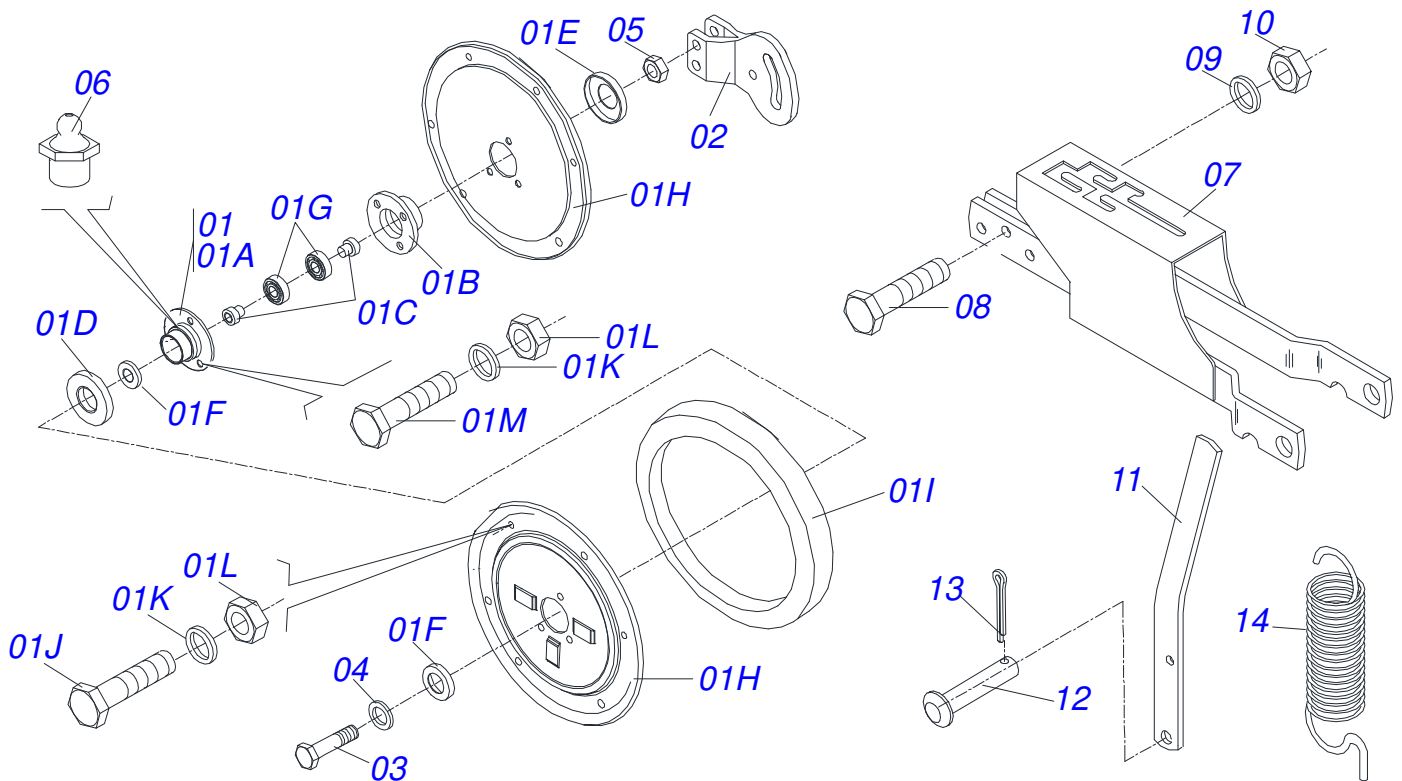
Item	Code	Description	See page	DIR ESQ
01	0511051741	RH BEAM SUPPORT	01	00
01A	0521063405	RH BEAM SUPPORT	01	00
01B	0511051558	LEFT SIDE FERTILIZER DISTRIBUTOR	04	02
01Ba	0501110682	DISTRIBUTOR FERTILIZER WITH LEFT SIDE OUTLET	04	02
01Bb	0501019851	DISTRIBUTOR FERTILIZER AXLE	06	06
01Bc	0521010309	SLEEVE INTER	06	06
01Bd	0503030275	AGRICULTURAL BEARING	12	12
01Be	0503031164	RIGHT HELICOID CONDUCTOR	04	02
01Bf	0511017137	FLAT WASHER	06	06
01Bg	0503030303	SUPPORT WASHER	06	06
01Bh	0501013774	GREASE SEAL	06	06
01Bi	0502011412	18Z CONICAL GEAR	06	06
01Bj	0503010523	1/4" X 2" COTTERPIN	06	06
01Bk	0503011962	GREASE FITTING	12	12
01Bl	0503010003	1845 GREASE FITTING	07	07
01Bm	0503012826	CREASE FITTING	06	06
01C	0511051535	RIGHT SIDE FERTILIZER DISTRIBUTOR	02	04
01Ca	0501110676	SIDE FERTILIZER DISTRIBUTOR	02	04
01Cb	0503031165	LEFT HELICOID CONDUCTOR	02	04
02	0511051742	LH BEAM SUPPORT	00	01
02a	0521063406	LH BEAM SUPPORT	00	01
03	0501010942	3/8" X 1-1/4" BOLT	24	24
04	0503010025	3/8" SPRING WASHER	34	34
05	0503010026	3/8" NUT	34	34
06	0511061759	22Z P12,70 FQ 3/4" GEAR	01	01
07	0521014167	CONE LOCK	01	01
08	0503030275	AGRICULTURAL BEARING	06	06
09	0502010685	18Z CONICAL GEAR	06	06
10	0571012299	SQUARE SHAFT	01	01
11	0521010691	AXLE FASTENER	02	02
12	0503010373	SCREW 1/4 UNC X 2 CS G.2 ZN	00	01



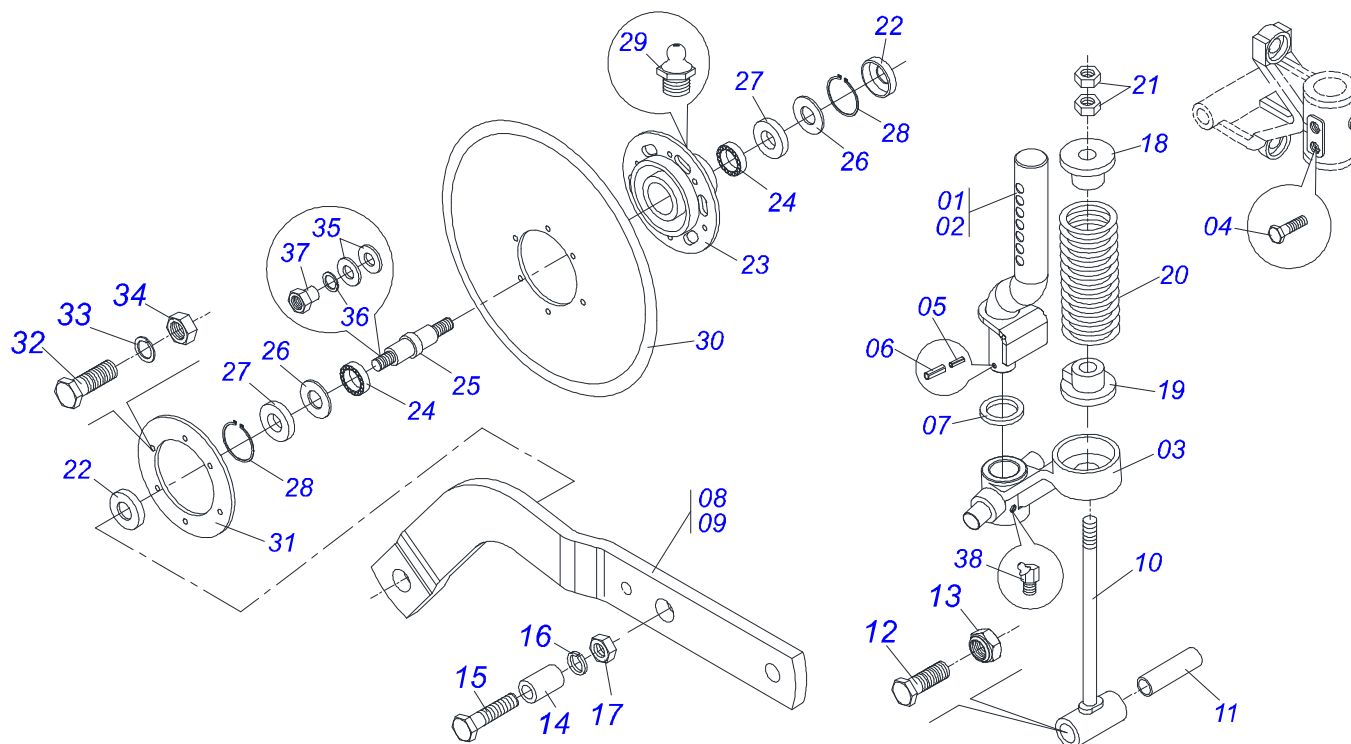
**PST DUO**  
**SUPPORT FERTILIZ BOX**

Page 29  
0909094453

Item	Code	Description	See page	DIR ESQ
13	0501010694	FLAT WASHER		02 02
14	0503011441	SPRING WASHER		02 02
15	0503010144	1/4" NUT		02 02
16	0501110392	HOPPER SUPPORT BEARING		01 01
17	0521012485	GEAR BOX BEARING AGRICUTURAL		01 01
18	0503011953	5/16" X 1" BOLT		02 02
19	0501010694	FLAT WASHER		02 02
20	0521011039	FLAT WASHER		02 02
21	0503011444	SPRING WASHER		02 02
22	0503010337	5/16" NUT		02 02
23	0551018055	22,65 X 60 SLEEVE		01 01
24	0503010849	3/8" X 1-1/2" BOLT		10 10
25	0501010984	FLAT WASHER 10,50 X 27 X 3,00 ZN		20 20
26	0571010590	FERTILIZER SIDE COVER		06 06
27	0503010362	1/8 X 1.1/4 COTTERPIN		06 06
28	0503060642	COVER BOX RIGHT FERTILIZER		01 00
28A	0503031957	BEAM RIGHT FERTILIZER		01 00
28B	0503031959	TUBE SILO FERTILIZER		02 02
29	0503060643	COVER BOX LEFT FERTILIZER		00 01
29A	0503031958	BEAM LEFT FERTILIZER		00 01
30	0521015267	L 1.1/2" X 1/4" X 26.6" WITH HOLE		02 02
31	0551019156	GEAR BOX LEVER LOCK		01 01
32	0503011953	5/16" X 1" BOLT		02 02
33	0501010694	FLAT WASHER		02 02
34	0503010179	LOCK WASHER		02 02
35	0503010337	5/16" NUT		02 02
36	0503032624	FERTILIZER HOPPER GUTTER		03 03



Item	Code	Description	See page
01	0501052908	COMPACTOR WHEEL WITH BEARING	01
01A	0502011919	PRESS WHEEL HUB	01
01B	0502011877	PRESS WHEEL HUB	01
01C	0521018922	PRESS WHEEL PASSANG AXLE	02
01D	0521018921	DUST CLOAK	01
01E	0521016316	DUST CLOAK	01
01F	0503012734	SEAL 01556 BR	02
01G	0503010269	6204 BALL BEARING	02
01H	0521018928	PRESS WHEEL RIM	02
01I	0503031421	DEPTH CONTROL WHEEL RUBBER BAND	01
01J	0503010295	SCREW 5/16 UNC X 5/8 CS G.2 ZN	06
01K	0503010179	LOCK WASHER	06
01L	0503010337	5/16" NUT	06
01M	0503010371	5/16" X 1" BOLT	03
02	0502012116	PRESS WHEEL ADJUSTER	01
03	0503010706	BOLT 1/2 UNC X 4.1/2 C S G.5 ZN	02
04	0521014508	FLAT WASHER	12
05	0503011336	1/2" HEX SELF ADJUSTING NUT	02
06	0503010691	1/4" GREASE FITTING	02
07	0511069633	PRESS WHEELS COMPACTOR	01
08	0503010849	3/8" X 1-1/2" BOLT	02
09	0503011443	3/8" SPRING WASHER	02
10	0503010026	3/8" NUT	02
11	0541016906	PRESS WHEELS REGULATOR BODY	01
12	0521010539	0.3" X 1.2" COUPLING SHAFT	01
13	0503010140	1/8" X 3/4" COTTERPIN	01
14	0503030805	1.6" X 6" X 0.2 TRACTION SPRING	01



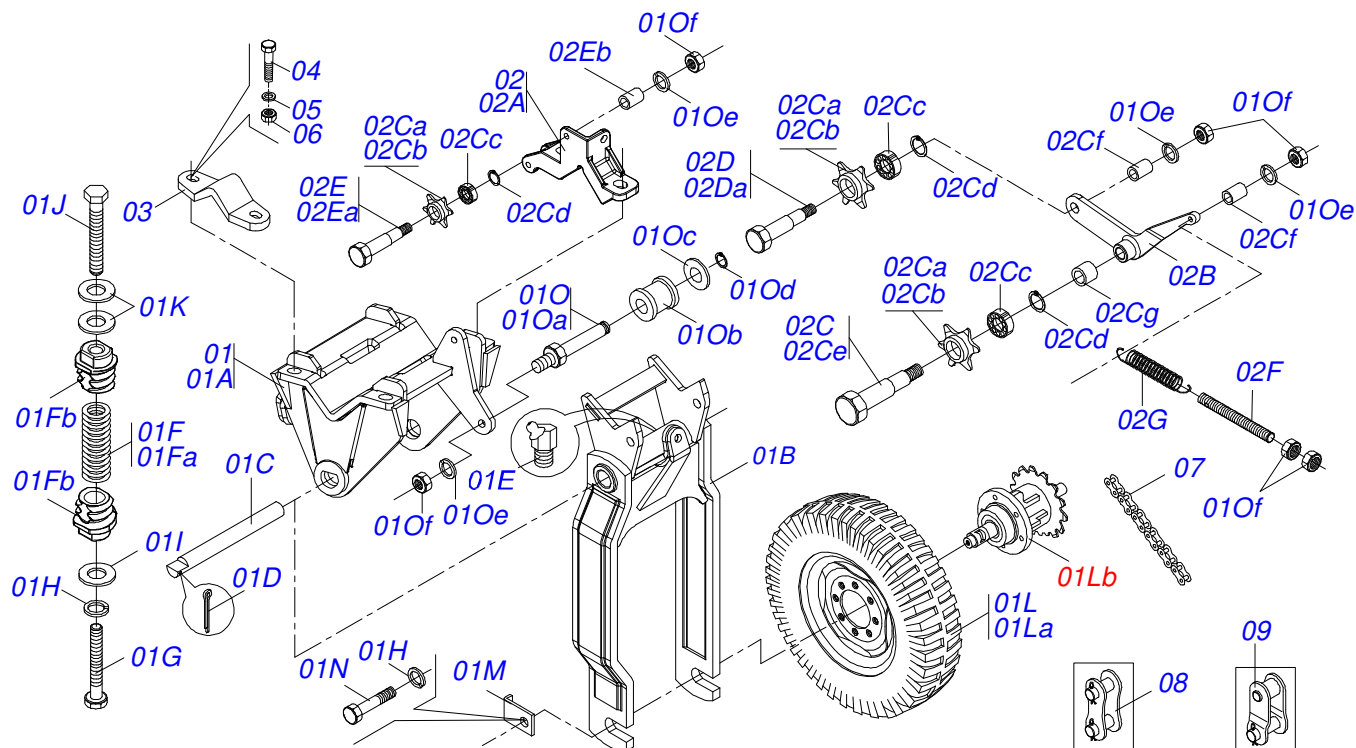
Item	Code	Description	See page	CT LG
00	0511044549	18" COULTER BLADE ASSY FOR SHORT ROW		01 00
00A	0511044573	18" COULTER BLADE ASSY FOR LONG ROW		00 01
01	0511067045	SHORT WHIT BEATER BLADE DISC FIX AXLE		01 00
02	0511067044	LONG WHIT BEATER BLADE DISC FIX AXLE		00 01
03	0502012368	BLADE DISC SUPPORT AXLE		01 01
04	0511016156	BOLT 5/8 UNC X1.1/2 CS PC G.5 ZN		02 02
05	0503010756	0.2" X 2.4" SPRING PIN		01 01
06	0503010361	SPRING PIN		01 01
07	0541018684	FLAT WASHER		01 01
08	0521014137	RIGHT ARM BLADE DISC		01 01
09	0521014138	SUPPORT ARM LEFT BALDE DISC		01 01
10	0501067323	SPRING REGULATOR		01 01
11	0521010452	SLEEVE		01 01
12	0503013185	3/4" X 5-1/2" BOLT		01 01
13	0503011255	3/4" LOCK NUT		01 01
14	0571010188	13,50 X 19 X 86,30/86 SLEEVE		01 01
15	0503011411	1/2" X 5-1/2" BOLT		01 01
16	0503011440	SPRING WASHER		01 01
17	0503010060	1/2" NUT		01 01
18	0502020393	SPRING UPPER SUPPORT		01 01
19	0502020394	SPRING SUPPORT		01 01
20	0503031341	2.7 X 8 X 0.5 COMPRESSION SPRING		01 01
21	0503010014	3/4" NUT		02 02
22	0521015376	DUST CLOAK		02 02
23	0502011562	DISC HUB		01 01
24	0503010276	6206 BALL BEARING		02 02
25	0521013610	BLADE DISC HUB AXLE		01 01
26	0503030832	FLAT WASHER		02 02
27	0503012417	SEAL		02 02
28	0503011800	SEAL RING		02 02
29	0503010691	1/4" GREASE FITTING		01 01



**PST DUO**  
**BLADE DISC ASSY 18"**

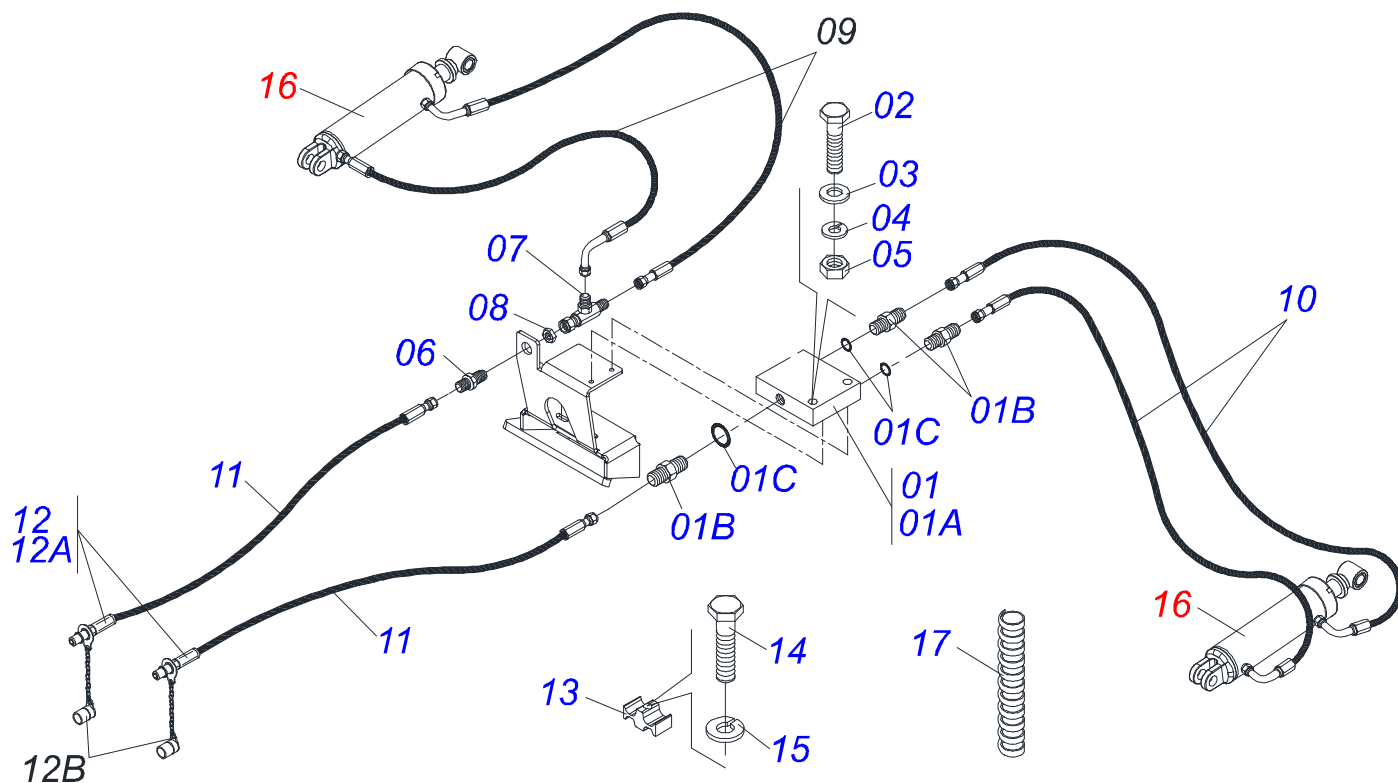
Item	Code	Description	See page	CT	LG
30	0603026013	PLAIN COULTER BLADE		01	01
31	0502020641	BLADE DISC FLANGE		01	01
32	0503010371	5/16" X 1" BOLT		06	06
33	0503011444	SPRING WASHER		06	06
34	0503010337	5/16" NUT		06	06
35	0511015346	FLAT WASHER		02	02
36	0503011442	3/4" SPRING WASHER		02	02
37	0521013510	3/4" NUT		02	02
38	0503010003	1845 GREASE FITTING		01	01



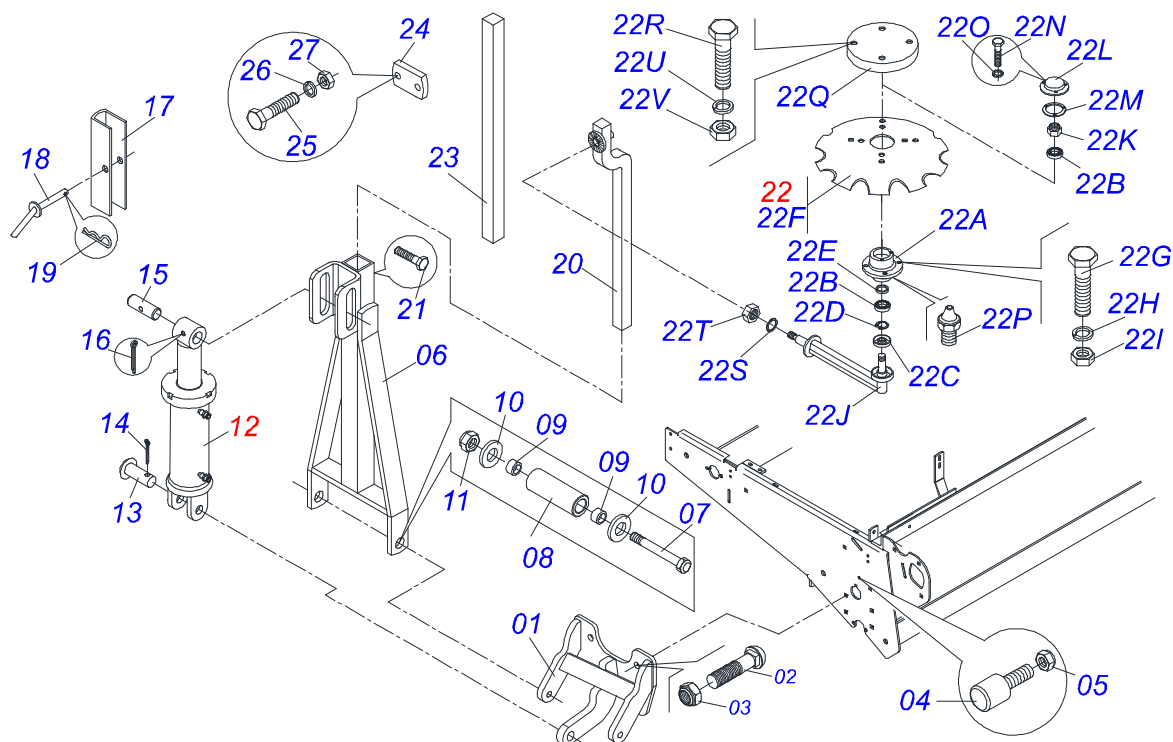


Item	Code	Description	See page	QT
00	0511048529	CARRYING WHEEL ASSY		01
01	0501059909	CARRYING WHEELS SUPPORT		01
01A	0521061567	CARRYING WHEEL SPRING TRACTION SUPPORT		01
01B	0521061565	WHEEL SUPPORT ARM		01
01C	0531016887	CARRYING WHEEL AXLE ARM		01
01D	0503010523	1/4" X 2" COTTERPIN		01
01E	0503010003	1845 GREASE FITTING		01
01F	0511050681	TRACTION SPRING		01
01Fa	0503031681	2.1" X 7.78" EXTENSION SPRING		01
01Fb	0561016062	SPRING HITCH		01
01G	0501010100	SCREW 5/8 UNC X 2 CS G.5 ZN		01
01H	0503010027	5/8" SPRING WASHER		03
01I	0501012140	FLAT WASHER		01
01J	0503013030	5/8" X 3.1/4" BOLT		01
01K	0551017715	FLAT WASHER		02
01L	0511052772	650X16 WHEEL AND TIRE ASSY		01
01La	0503062160	650 X 16-10L WHEEL AND TIRE ASSY		01
01Lb	0511052769	WHEEL WITH TRANSMISSION WITHOUT TIRE	9	01
01M	0521012190	AXLE LOCK		02
01N	0503011167	M16 X 2 X 30 BOLT		02
01O	0501058241	WHEEL SUPPORT CHAIN TENSIONER	12	01
01Oa	0521018933	FERT CHAIN TENSIONER AXLE		01
01Ob	0541016454	PULLEY		01
01Oc	0511015098	FLAT WASHER		01
01Od	0503010302	501019 SEAL RING		01
01Oe	0503010019	1/2" SPRING WASHER		03
01Of	0503010060	1/2" NUT		05
02	0501058240	WHEEL FASTENER WITH TENSIONER		01
02A	0502012416	CARRYING-WHEELS SUPPORT FIXER		01
02B	0511069417	REAR TENSIONER		01
02C	0501058243	INTERMEDIATE WHEEL CHAIN TENSIONER		01

Item	Code	Description	See page	QT
02Ca	0501058239	WHEEL CHAIN TENSIONER BEARING		03
02Cb	0502012018	CHAIN TIGHTENER BEARING		03
02Cc	0503012882	BEARING		03
02Cd	0503011945	503050 CLAMPING RING (FOR AXLE)		03
02Ce	0551018245	CHAIN TENSIONER AXLE		01
02Cf	0551018241	SLEEVE 16,30 X 30 X 8		02
02Cg	0551018239	SLEEVE 19 X 13,50 X 45		01
02D	0501058244	WHEEL FIXED CHAIN TENSIONER		01
02Da	0551018252	CHAIN TENSIONER AXLE		01
02E	0501058242	WHEEL MOBILE CHAIN TENSIONER		01
02Ea	0551018244	CHAIN TENSIONER AXLE		01
02Eb	0551018240	SLEEVE		01
02F	0501013491	5/8" TENSIONER SPRING		01
02G	0503031103	0.9" X 4.1" X 0.1" TRACTION SPRING		01
03	0502011308	WHELL FASTENER		01
04	0503011119	7/8" X 6" BOLT		04
05	0501014251	FLAT WASHER		04
06	0503011254	7/8" HEX SELF ADJUSTING NUT		04
07	0503014887	2050 CHAIN X 80 LINK + REDUCTION		01
08	0503010780	N-2050 AMENDMENT		01
09	0503010951	REDUCTION		01



Item	Code	Description	See page	QT
01	0501054694	FLOW DIVIDING VALVE ASSY		01
01A	0503012481	FLOW DIVIDING VALVE		01
01B	0503030923	3/4" UNF X 13/16UN OFS X 40 NIPPLE		03
01C	0503010190	2-114 N 3006-9B O'RING		03
02	0503010373	SCREW 1/4 UNC X 2 CS G.2 ZN		02
03	0501010694	FLAT WASHER		02
04	0503010143	1/4" SPRING WASHER		02
05	0503010144	1/4" NUT		02
06	0541012166	NIPPLE 3/4" UNF X 7/8"		01
07	0503011968	3/4" 8R6X-S T ADAPTER WITH SWIVEL NUT		01
08	0511018387	3/4" X 0,3 ADJUSTMENT VALVE NUT		01
09	0501080348	3/8 X 1200 TR-TC HOSE		02
10	0501080359	3/8" X 78.7" TR-TC HOSE ASSY		02
11	0501080004	HOSE 1/2 X 3500 TR-TM		02
12	0501053834	MALE QUICK COUPLER		02
12A	0503011627	MALE QUICK COUPLER AGR 1/2 NPT		02
12B	0503011882	MALE QUICK COUPLER CAP		02
13	0502012702	BODY SUPPORT CLAMP		05
14	0503012555	SCREW 7/16 UNC X 2 CS RT G.7 ZN		05
15	0503010180	7/16" SPRING WASHER		05
16	0511041187	HYDRAULIC CYLINDER	2	02
17	0571011806	SPRING PROTECTION PLASTIC HOSE 3/4 X 600MM		01

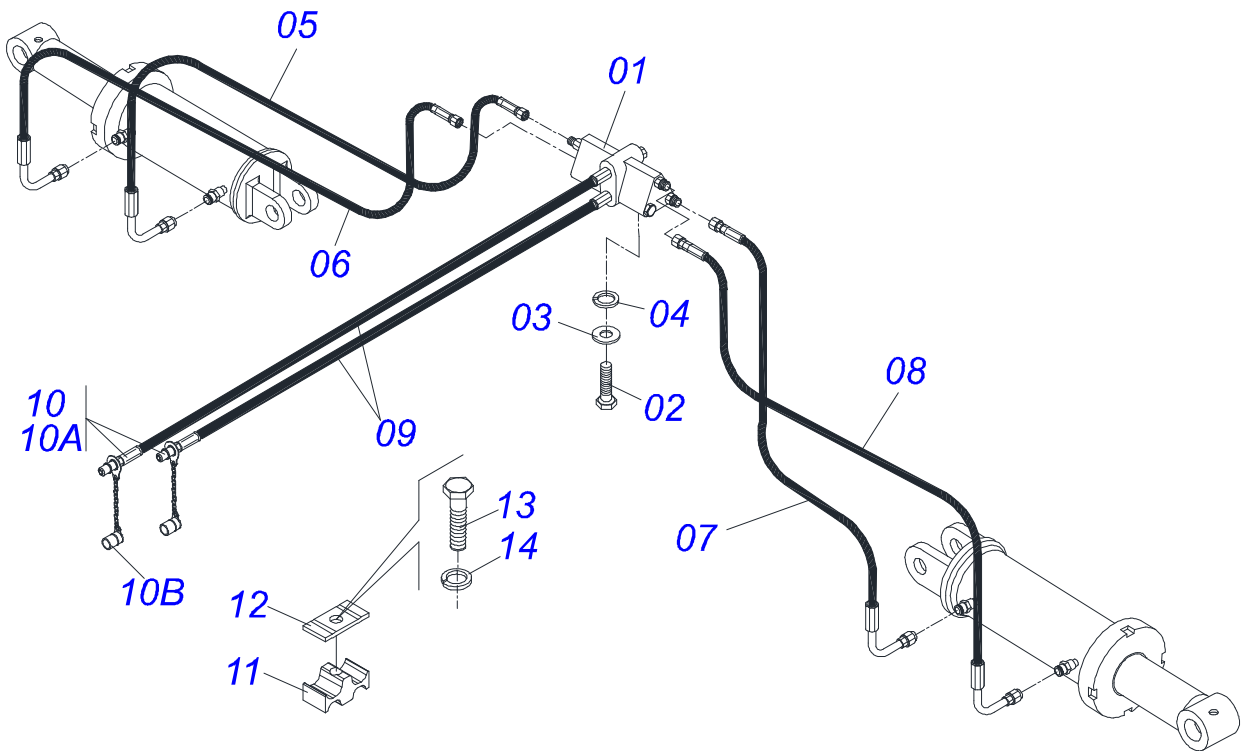


Item	Code	Description	See page	QT
01	0511069622	ROW MARKER ARM SUPPORT		02
02	0503012699	BOLT 5/8NC X 2 CAPQ G.5 ZN 1K20548		08
03	0503012412	5/8 UNC SELF LOCKING NUT		08
04	0503011070	BEATER		02
05	0503011336	1/2" HEX SELF ADJUSTING NUT		02
06	0501069470	ROW MARKER ARM		02
07	0521061655	BOLT 5/8 UNC X 320 MM		02
08	0521017687	SPACING SLEEVE		02
09	0521010479	SLEEVE ARTICULATION		04
10	0501012140	FLAT WASHER		04
11	0503012412	5/8 UNC SELF LOCKING NUT		02
12	0511040203	1.5" X 2.5" X 19" X 9" HYDRAULIC CYLINDER	3	02
13	0521010575	C0.9" X 3.3" COUPLING SHAFT		02
14	0503010523	1/4" X 2" COTTERPIN		02
15	0511015779	1" X 4.2" AXLE		02
16	0503010523	1/4" X 2" COTTERPIN		02
17	0511017592	11.8" X 1.6" TRANSPORT LOCK		02
18	0501068994	8,30 X 78 LOCK PIN		02
19	0503030168	HITCH PIN CLIP		02
20	0501066949	1235 TURNBUCKLE		02
21	0511016156	BOLT 5/8 UNC X1.1/2 CS PC G.5 ZN		04
22	0501050633	ROW MARKER DISK ASSEMBLY		02
22A	0502011907	DEPTH CONTROL WHEEL HUB		02
22B	0503010269	6204 BALL BEARING		04
22C	0503010689	SEAL 00763-BR		02
22D	0503011105	SEAL RING		02
22E	0521010489	SLEEVE SPACER		02
22F	0602023084	16" X 0.2" NOTCHED DISC BLADE		02
22G	0503010358	5/16" X 5/8" BOLT		08
22H	0503010179	LOCK WASHER		08
22I	0503010337	5/16" NUT		08



PST DUO  
HYDR ROW MARK ASSY

Item	Code	Description	See page	QT
22J	0501066800	ROW MARKER DISC AXLE ASSY		02
22k	0503010878	5/8" SELF ALIGNING NUT		02
22l	0521019178	COVER DEPTH		02
22M	0503030757	2.9" X 2" X 0.02" JOINT		02
22N	0503010519	1/4" X 5/8" BOLT		06
22O	0503011441	SPRING WASHER		06
22P	0503010691	1/4" GREASE FITTING		02
22Q	0501069226	ROW MARKER ROD STOP		02
22R	0503010751	C3/8" X 1.1/4" HEX BOLT G.5		08
22S	0503010023	3/4" SPRING WASHER		02
22T	0503010014	3/4" NUT		02
22U	0503010025	3/8" SPRING WASHER		08
22V	0503010026	3/8" NUT		08
23	0521013164	EXTENSOR		02
24	0501011310	FIXER LOCK		08
25	0503010706	BOLT 1/2 UNC X 4.1/2 C S G.5 ZN		08
26	0503010019	1/2" SPRING WASHER		08
27	0503010060	1/2" NUT		08



Item	Code	Description	See page	11	13
01	0501054649	HBM SEQUENTIAL VALVE	11	01	01
02	0503010751	C3/8" X 1.1/4" HEX BOLT G.5		02	02
03	0501010984	FLAT WASHER 10,50 X 27 X 3,00 ZN		02	02
04	0503010025	3/8" SPRING WASHER		02	02
05	0501080390	3/8" X 150" TR-TC HOSE ASSY		01	
05.	0501081331			01	
06	0501081393	3/8" X 3900 TR-TC HOSE		01	
06.	0501080715	3/8" X 177" TR-TC HOSE ASSY		01	
07	0501080724	3/8" X 4700 TR-TC HOSE ASSY		01	
07.	0501080725	3/8 X 5300 TR-TC HOSE ASSY		01	
08	0501081465	HOSE 3/8 X 4890 TR-TC		01	
08.	0501081767			01	
09	0501080510	HOSE 3/8 X 3500 TR-TM		02	02
10	0501053835	FEMALE QUICK COUPLER		02	02
10A	0503011627	MALE QUICK COUPLER AGR 1/2 NPT		02	02
10B	0503011882	MALE QUICK COUPLER CAP		02	02
11	0502012702	BODY SUPPORT CLAMP		05	05
12	0531011180	UPPER BODY CLIP		05	05
13	0503012555	SCREW 7/16 UNC X 2 CS RT G.7 ZN		05	05
14	0503010180	7/16" SPRING WASHER		05	05





**MARCHESAN**

**Technical Publications | Elaboration and Revision**

JOSÉ DOMINGOS GASPARI

[www.marchesan.com.br](http://www.marchesan.com.br)

