

HINGE TYPE OFFSET DISK HARROW

GNACR - 64/72/84/96/108D

Code: 0501090963

Series: S-0512

Revision: 00

Date Revision: MAIO/2012

PARTS CATALOGUE



MARCHESAN



PRODUCTS

Code	Description
0102550018	GNACR 108X22X4,5 DR P 11L15 S-0512
0102550017	GNACR 108X22X4,5 MT P11L15 S-0512
0102550012	GNACR 108X22X4,5 MT P400/60 S-0512
0102550019	GNACR 64X22X4,5 MT P 11L15 S-0512
0102550027	GNACR 72 X 22 X 4,5 DR P11L15 S0512
0102550015	GNACR 72 X 22 X 4,5 MT P11L15 S0512
0102550014	GNACR 84 X 22 X 4,5 MT P11L15 S0512
0102550028	GNACR 96 X 22 X 4,5 DR P11L15 S0512
0102550016	GNACR 96X22X4,5 MT PN11L15 S-0512

ATTENTION: IMPORTANT

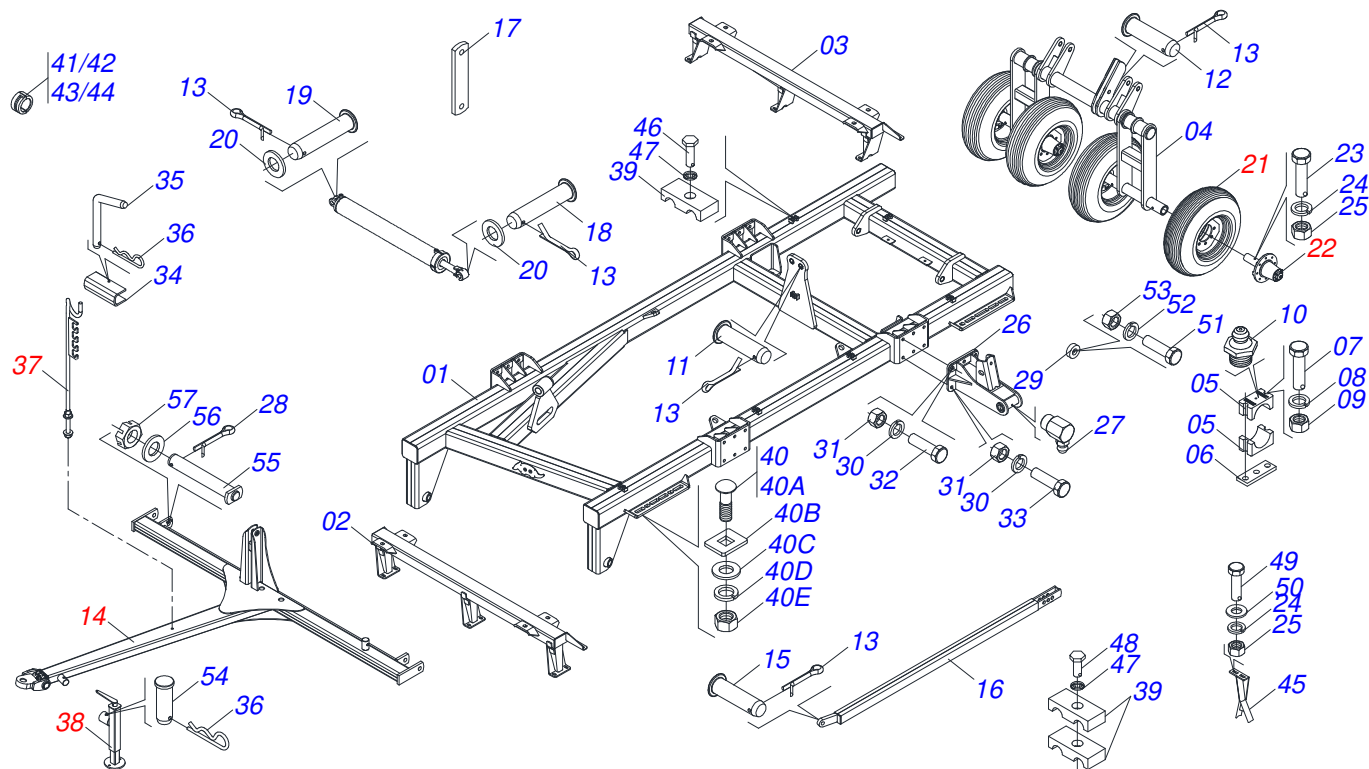
Marchesan S.A. reserves the right to improve and/or modify the technical features of its products, without obligation to do the same with those products already sold and without prior knowledge of the dealer or the consumer. The photos are only illustrative.



MARCHESAN

INDEX

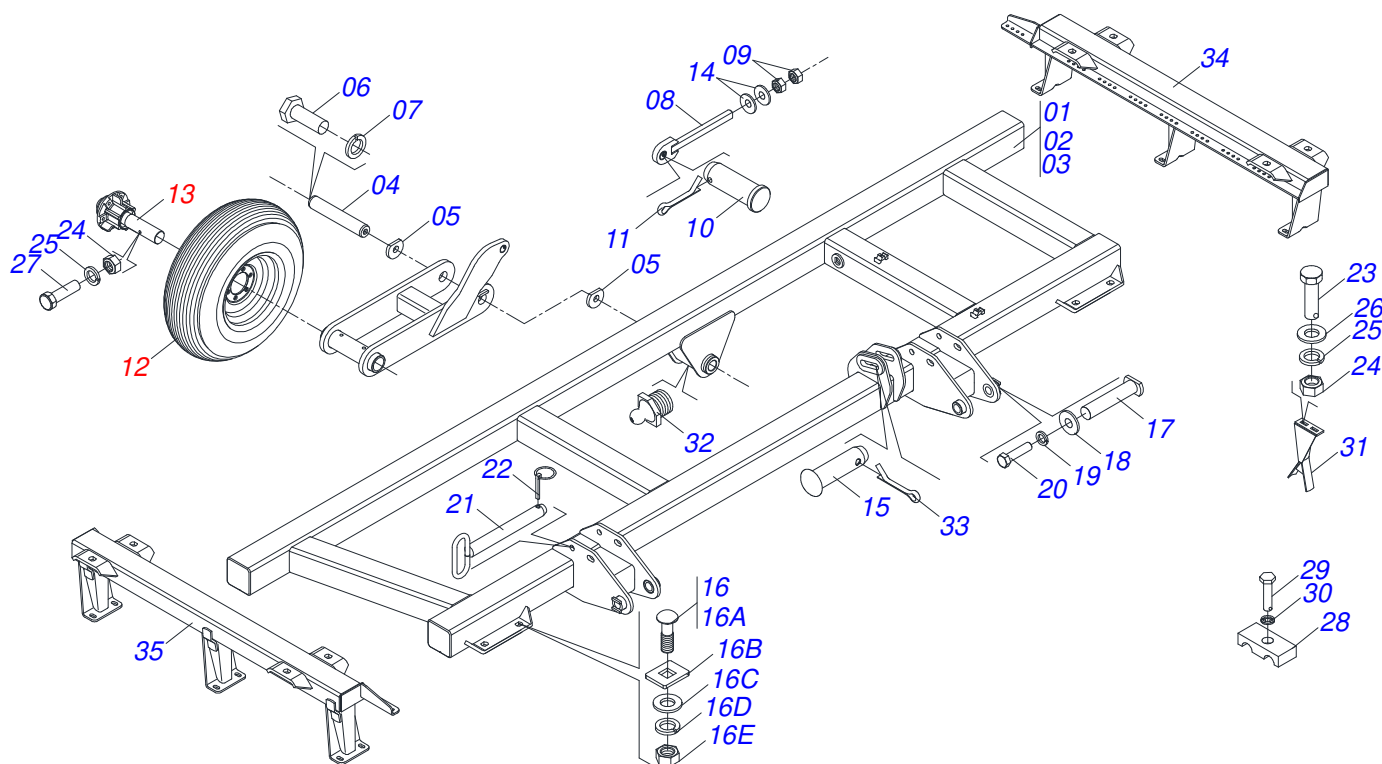
0909094406	FRAME CENTER - 64/72/84D	1
0909094408	FRAME SIDE RIGHT - 64/72/84D	2
0909094409	FRAME SIDE LEFT - 64/72/84D	3
0909094407	FRAME CENTER - 96/108D	4
0909094410	FRAME RIGHT SIDE - 96/108D	5
0909094411	FRAME SIDE LEFT - 96/108D	6
0521040391	HYDRAULIC CYLINDER 53,98 X 101,6 X 515 X 203	7
0521040665	DRAWBAR ASSY	8
0521040738	HYDRAULIC CYLINDER	9
0511045694	44,45 X 85,7 X 515 X 203 HYDRAULIC CYLINDER	10
0511045827	HYDRAULIC CYLINDER 50.8 X 127 X 1292 X 933	11
0501051885	CARRYING-WHEELS	12
0501040257	3/4 X 1200 HOSE HOLDER A	13
0511045580	CARRYING WHEEL HUB ASSY	14
0511048088	DRAWBAR JACK	15
0909094412	SECTION 64 DISCS FRONT	16
0909094413	SECTION 64 REAR DISCS	17
0909094414	SECTION 72 DISCS FRONT	18
0909094415	SECTION 72 REAR DISCS	19
0909094416	SECTION 84 DISCS FRONT	20
0909094417	SECTION 84 REAR DISCS	21
0909094418	SECTION 96 DISCS FRONT	22
0909094419	SECTION 96 REAR DISCS	23
0909094420	SECTION 108 DISCS FRONT	24
0909094421	SECTION 108 REAR DISCS	25
0511040472	AGRICULTURAL BEARING	26
0909094422	HYDRAULIC CIRCUIT	27
0909094423	HYDRAULIC CIRCUIT	28
0501053834	MALE QUICK COUPLER WITH CAP - 1/2 NPT	29



Item	Code	Description	See page	64 72 84
00	0511056634	CENTRAL FRAME		01 01 01
01	0521065513	FRAME CENTER		01 01 01
02	0521065493	CENTRAL FRONT CHASSIS - 64D		01 00 00
02.	0521065524	CENTRAL FRONT CHASSIS - 72D		00 01 00
02..	0521065543	CENTRAL FRONT CHASSIS - 84D		00 00 01
03	0521065499	REAR FRAME CENTRAL - 64D		01 00 00
03.	0521065526	REAR FRAME CENTRAL - 72D		00 01 00
03..	0521065537	REAR FRAME CENTRAL - 84D		00 00 01
04	0521063026	SQUARE WHEELS CENTRAL		01 01 01
05	0502010673	BEARING SEMI		04 04 04
06	0501015593	SUPPORT PLATE		02 02 02
07	0501010064	1" X 9" BOLT		04 04 04
08	0501010059	1.5/8 NUT		04 04 04
09	0503010012	1" SPRING WASHER		04 04 04
10	0503010829	GREASE FITTING		02 02 02
11	0521012538	1.2" X 3.5" COUPLING SHAFT		02 02 02
12	0521010547	1.2" X 6.5" COUPLING SHAFT		02 02 02
13	0503010010	1/4" X 2.1/2" COTTERPIN		10 10 10
14	0521040665	DRAWBAR ASSY	8	01 01 01
15	0521810780	JUNCTION AXIS 31.75 X 115		01 01 01
16	0521063031	BAR STABILIZER		01 01 01
17	0571010547	PLATE FIXER BAR STABILIZER		01 01 01
18	0521012538	1.2" X 3.5" COUPLING SHAFT		01 01 01
19	0511014394	1.25" X 4.13" COUPLING SHAFT		02 02 02
20	0501017779	32 X 60 X 4.75 FLAT WASHER		02 02 02
21	0503060414	WHEEL AND TIRE		04 04 04
22	0501051885	CARRYING-WHEELS	12	04 04 04
23	0503010706	SCREW 1/2 UNC X 4.1/2 C S G.5 ZN		04 04 04
24	0503010019	1/2" SPRING WASHER		40 40 40
25	0503010060	1/2" NUT		40 40 40
26	0521063017	ARTICULATION FRAME SIDE		04 04 04



Item	Code	Description	See page	64 72 84
27	0503010004	1890 GREASE FITTING		04 04 04
28	0503010010	1/4" X 2.1/2" COTTERPIN		02 02 02
29	0521011481	FRAME BATTERY		04 04 04
30	0503010023	3/4" SPRING WASHER		24 24 24
31	0503010014	3/4" NUT		26 26 26
32	0501010500	3/4"X3"BOLT		12 12 12
33	0501010098	3/4" UNC BOLT		12 12 12
34	0551019515	LATCH SHIPPING		02 02 02
35	0541016844	FIXER LOCK		02 02 02
36	0503030285	HAIR PIN		03 03 03
37	0501040257	3/4 X 1200 HOSE HOLDER A	13	01 01 01
38	0511048088	DRAWBAR JACK	15	01 01 01
39	0502010477	HOSE CLAMP		14 14 14
40	0501040877	C1" X 3-1/4" ASSY BOLT		08 08 08
40A	0501014309	C1" X 3-1/4" BOLT		08 08 08
40B	0501010951	1" SQUARE WASHER		08 08 08
40C	0501010065	1" SPRING WASHER		08 08 08
40D	0503011438	SPRING WASHER		08 08 08
40E	0501010059	1.5/8 NUT		08 08 08
41	0501047895	ROD STOP		04 04 04
42	0501047885	ROD STOP		04 04 04
43	0501047886	ROD STOP		04 04 04
44	0501047887	ROD STOP		04 04 04
45	0511060204	CLEANER - OPTIONAL		18 18 18
46	0503011135	BOLT		04 04 04
47	0503010180	7/16" SPRING WASHER		07 07 07
48	0503011103	7/16" X 2-1/2" BOLT		03 03 03
49	0503010920	1/2" X 1.1/2" BOLT		36 36 36
50	0501010937	13.5 X 28 X 3 FLAT WASHER		36 36 36
51	0501010100	SCREW 5/8 UNC X 2 CS G.5 ZN		04 04 04
52	0503010027	5/8" SPRING WASHER		04 04 04
53	0503010013	5/8" NUT		04 04 04
54	0561014251	COUPLING SHAFT		01 01 01
55	0521062959	38,1 X 265 AXLE		02 02 02
56	0501010237	FLAT WASHER		02 02 02
57	0501011301	1.1/2 UNC 6FPP 2.5/16 NUT		02 02 02

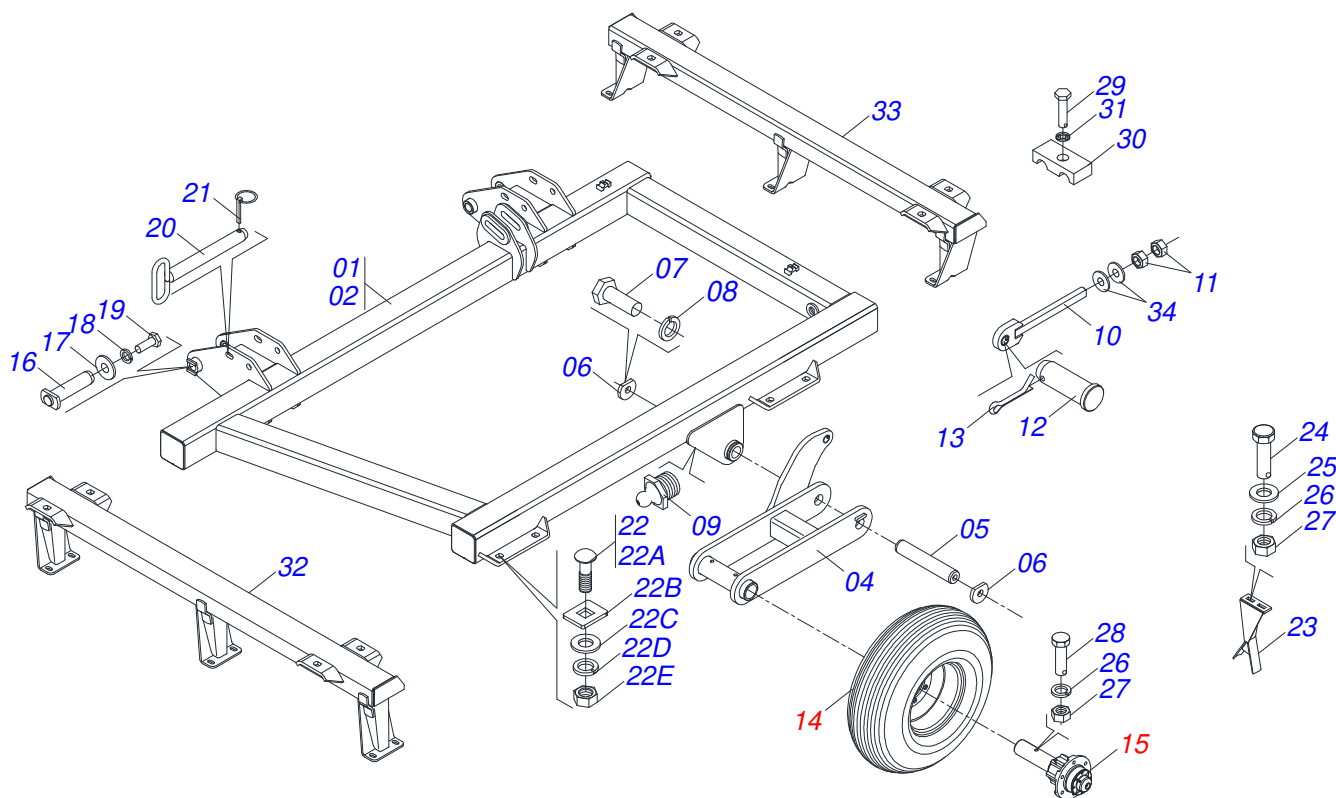


Item	Code	Description	See page	64 72 84
00	0511056636	RIGHT SIDE FRAME		01 00 00
00.	0511056637	RIGHT SIDE FRAME		00 01 01
01	0521065486	RIGHT SIDE FRAME 72/84 D.		01 00 00
02	0521065515	FRAME SIDE RIGHT 72/84		00 01 01
03	0521062989	RIGHT SIDE CARRYING-WHEELS		01 01 01
04	0551019516	COUPLING SHAFT		01 01 01
05	0551019512	LOCK WASHER		02 02 02
06	0503011250	1" X 2" BOLT		02 02 02
07	0503010012	1" SPRING WASHER		02 02 02
08	0521062963	REGULATOR SPINDLE		01 01 01
09	0501010110	1.1/2" NUT		02 02 02
10	0521012538	1.2" X 3.5" COUPLING SHAFT		02 02 02
11	0503010523	1/4" X 2" COTTERPIN		02 02 02
12	0503060181	WHEEL AND TIRE		01 01 01
13	0511045580	CARRYING WHEEL HUB ASSY	14	01 01 01
14	0501012916	FLAT WASHER 38,50 X 66 X 4,75 ZN		02 02 02
15	0511010174	1.2" X 5.9" COUPLING SHAFT		02 02 02
16	0501040877	C1" X 3-1/4" ASSY BOLT		08 08 08
16A	0501014309	C1" X 3-1/4" BOLT		08 08 08
16B	0501010951	1" SQUARE WASHER		08 08 08
16C	0501010065	1" SPRING WASHER		08 08 08
16D	0503011438	SPRING WASHER		08 08 08
16E	0501010059	1.5/8 NUT		08 08 08
17	0521062964	PIVOT SHAFT FRAME		02 02 02
18	0511017232	FLAT WASHER		02 02 02
19	0503010023	3/4" SPRING WASHER		02 02 02
20	0501011544	3/4" X 1-1/2" BOLT		02 02 02
21	0501069463	1" X 8" LOCK PIN		02 02 02
22	0503030119	LOCK PIN		02 02 02
23	0503010920	1/2" X 1.1/2" BOLT		28 36 48
24	0503010060	1/2" NUT		29 37 49



GNACR - 64/72/84/96/108D
FRAME SIDE RIGHT - 64/72/84D

Item	Code	Description	See page	64 72 84
25	0503010019	1/2" SPRING WASHER		29 37 49
26	0501010937	13.5 X 28 X 3 FLAT WASHER		28 36 48
27	0503010706	SCREW 1/2 UNC X 4.1/2 C S G.5 ZN		01 01 01
28	0502010477	HOSE CLAMP		02 02 02
29	0503011135	BOLT		02 02 02
30	0503010180	7/16" SPRING WASHER		02 02 02
31	0511060204	CLEANER - OPTIONAL		14 18 24
32	0503010002	1800 GREASE FITTING		01 01 01
33	0503010010	1/4" X 2.1/2" COTTERPIN		02 02 02
34	0521065501	RIGHT REAR FRAME - 64D		01 00 00
34.	0521065527	RIGHT REAR FRAME - 72D		00 01 00
34..	0521065538	RIGHT REAR FRAME - 84D		00 00 01
35	0521065495	RIGHT FRONT FRAME - 64D		01 00 00
35.	0521065522	RIGHT FRONT FRAME - 72D		00 01 00
35..	0521065544	RIGHT FRONT FRAME - 84D		00 00 01



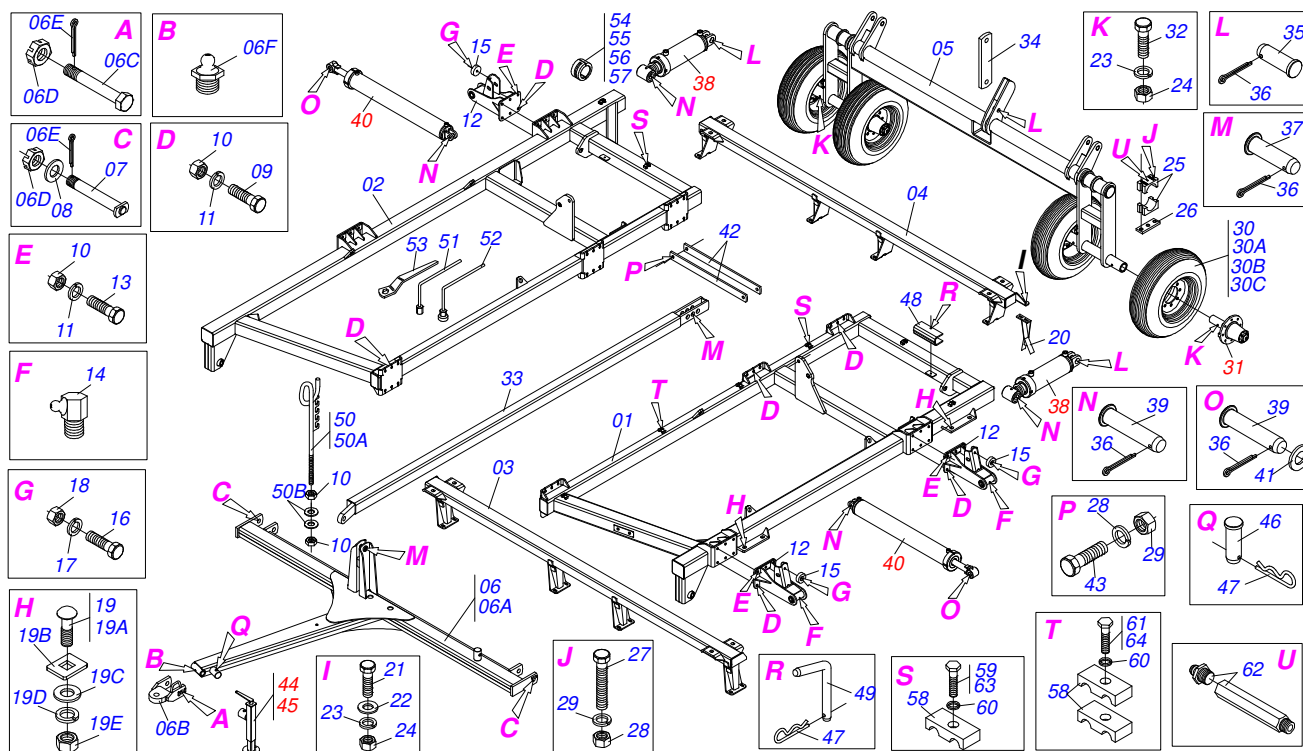
Item	Code	Description	See page	64 72 84
00	0511056635	FRAME SIDE LEFT		01 00 00
00.	0511056638	LEFT FRAME SIDE		00 01 01
01	0521065487	FRAME SIDE LEFT		01 00 00
02	0521065530	FRAME SIDE LEFT		00 01 01
04	0521062987	CARRYING-WHEELS SIDE LEFT		01 01 01
05	0551019516	COUPLING SHAFT		01 01 01
06	0551019512	LOCK WASHER		02 02 02
07	0503011250	1" X 2" BOLT		02 02 02
08	0503010012	1" SPRING WASHER		02 02 02
09	0503010002	1800 GREASE FITTING		01 01 01
10	0521062963	REGULATOR SPINDLE		01 01 01
11	0501010110	1.1/2" NUT		02 02 02
12	0521012538	1.2" X 3.5" COUPLING SHAFT		02 02 02
13	0503010523	1/4" X 2" COTTERPIN		02 02 02
14	0503060181	WHEEL AND TIRE		01 01 01
15	0511045580	CARRYING WHEEL HUB ASSY	14	01 01 01
16	0521062964	PIVOT SHAFT FRAME		02 02 02
17	0511017232	FLAT WASHER		02 02 02
18	0501011544	3/4" X 1-1/2" BOLT		02 02 02
19	0503010023	3/4" SPRING WASHER		02 02 02
20	0501069463	1" X 8" LOCK PIN		02 02 02
21	0503030119	LOCK PIN		02 02 02
22	0501040877	C1" X 3-1/4" ASSY BOLT		08 08 08
22A	0501014309	C1" X 3-1/4" BOLT		08 08 08
22B	0501010951	1" SQUARE WASHER		08 08 08
22C	0501010065	1" SPRING WASHER		08 08 08
22D	0503011438	SPRING WASHER		08 08 08
22E	0501010059	1.5/8 NUT		08 08 08
23	0511060204	CLEANER - OPTIONAL		12 16 22
24	0503010920	1/2" X 1.1/2" BOLT		24 32 44
25	0501010937	13.5 X 28 X 3 FLAT WASHER		24 32 44



GNACR - 64/72/84/96/108D
FRAME SIDE LEFT - 64/72/84D

Page 3
0909094409

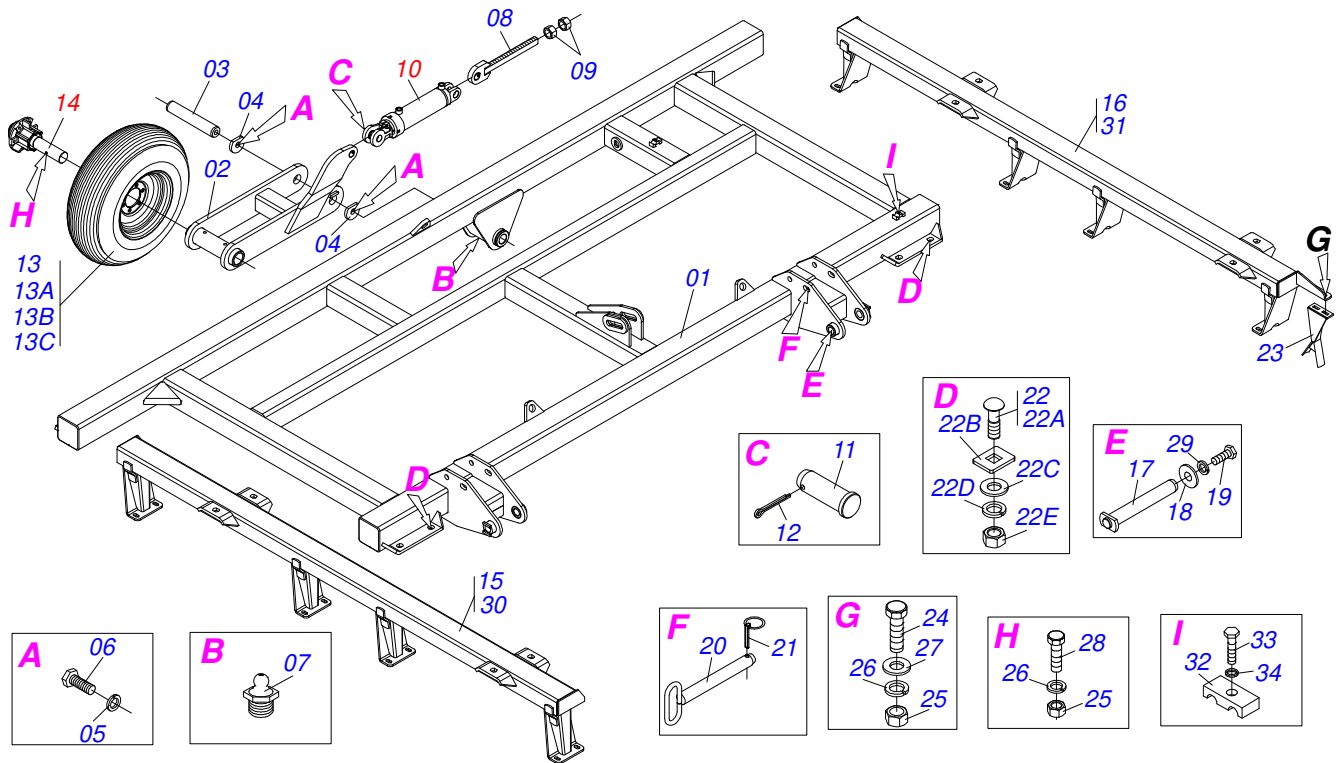
Item	Code	Description	See page	64 72 84
26	0503010019	1/2" SPRING WASHER		25 33 45
27	0503010060	1/2" NUT		25 33 45
28	0503010706	SCREW 1/2 UNC X 4.1/2 C S G.5 ZN		01 01 01
29	0503011135	BOLT		02 02 02
30	0502010477	HOSE CLAMP		02 02 02
31	0503010180	7/16" SPRING WASHER		02 02 02
32	0521065491	LEFT FRONT FRAME - 64D		01 00 00
32.	0521065523	LEFT FRONT FRAME - 72D		00 01 00
32..	0521065542	LEFT FRONT FRAME - 84D		00 00 01
33	0521065497	LEFT REAR FRAME - 64D		01 00 00
33.	0521065525	LEFT REAR FRAME - 72D		00 01 00
33..	0521065536	LEFT REAR FRAME - 84D		00 00 01
34	0501012916	FLAT WASHER 38,50 X 66 X 4,75 ZN		02 02 02



Item	Code	Description	See page	96 108
00.	0511056639	LEFT FRAME CENTER		01 01
00..	0511056640	RIGHT CENTRAL FRAME		01 01
00...	0511056641	LEFT HAND FRAME		01 01
00....	0511056642	FRONT RIGHT SIDE FRAME		01 01
00.....	0511056644	REAR RIGHT SIDE FRAME		01 01
01.	0521065065			01 01
02.	0521065050	RIGHT CENTRAL FRAME		01 01
03	0521065587	LEFT SIDE FRAME - 96/108D		01 01
04	0521065588	FRONT RIGHT SIDE FRAME		01 01
05	0521065586	REAR RIGHT SIDE FRAME		01 01
06	0521062877	REAR CARRIER CENTRAL		01 01
07	0521040665	DRAWBAR ASSY	8	01 01
08	0521062959	38,1 X 265 AXLE		02 02
09	0501012916	FLAT WASHER 38,50 X 66 X 4,75 ZN		02 02
10	0503011196	3/4" X 2-1/4" BOLT		30 30
11	0503010014	3/4" NUT		44 44
12	0503010023	3/4" SPRING WASHER		42 42
13	0521063017	ARTICULATION FRAME SIDE		04 04
14	0501010500	3/4"X3"BOLT		12 12
15	0503010004	1890 GREASE FITTING		04 04
16	0521011481	FRAME BATTERY		04 04
17	0503011267	BOLT 5/8 UNC X 1.1/2 C S G.5 ZN		04 04
18	0503010027	5/8" SPRING WASHER		04 04
19	0503010013	5/8" NUT		04 04
20	0501040877	C1" X 3-1/4" ASSY BOLT		08 08
20A	0501014309	C1" X 3-1/4" BOLT		08 08
20B	0501010951	1" SQUARE WASHER		08 08
20C	0501010065	1" SPRING WASHER		08 08
20D	0503011438	SPRING WASHER		08 08
21	0501010059	1.5/8 NUT		08 08
22	0511060204	CLEANER - OPTIONAL		31 31



Item	Code	Description	See page	96 108
23	0503010920	1/2" X 1.1/2" BOLT		64 64
24	0511017302	FLAT WASHER		64 64
25	0503010019	1/2" SPRING WASHER		66 68
26	0503010060	1/2" NUT		66 68
27	0502010673	BEARING SEMI		06 06
28	0501015593	SUPPORT PLATE		03 03
29	0501010064	1" X 9" BOLT		06 06
30	0501010059	1.5/8 NUT		08 08
31	0503010012	1" SPRING WASHER		08 08
32	0503060414	WHEEL AND TIRE		04 04
33	0501051885	CARRYING-WHEELS	12	04 04
34	0503010706	SCREW 1/2 UNC X 4.1/2 C S G.5 ZN		04 04
35	0521062961	STABILIZER BAR		01 01
36	0571010547	PLATE FIXER BAR STABILIZER		01 01
37	0521012538	1.2" X 3.5" COUPLING SHAFT		05 05
38	0503010523	1/4" X 2" COTTERPIN		11 11
39	0511014394	1.25" X 4.13" COUPLING SHAFT		02 02
40	0521010547	1.2" X 6.5" COUPLING SHAFT		02 02
41	0501017779	32 X 60 X 4.75 FLAT WASHER		02 02
42	0571010553	CENTRAL REINFORCING PLATE FRAME		02 02
43	0501010171	BOLT 1 UNC X 3.1/2 C S G.5		02 02
44	0511048088	DRAWBAR JACK	15	01 00
45	0503010829	GREASE FITTING		00 01
46	0561014251	COUPLING SHAFT		01 01
47	0503030285	HAIR PIN		03 03
48	0551019515	LATCH SHIPPING		02 02
49	0541016844	FIXER LOCK		02 02
50	0501040257	3/4 X 1200 HOSE HOLDER A	13	01 01
51	0501068273	5/8" WRENCH		01 01
52	0501061045	1" WRENCH CYLINDRICAL		01 01
53	0501011432	1-1/2" AND 1-5/8 GANG BOLT WRENCH		02 02
54	0501047895	ROD STOP		04 04
55	0501047885	ROD STOP		04 04
56	0501047886	ROD STOP		04 04
57	0501047887	ROD STOP		04 04
58	0502010477	HOSE CLAMP		11 11
59	0503010277	7/16" X 1-1/2" BOLT		00 05
60	0503010180	7/16" SPRING WASHER		08 08
61	0503010850	BOLT 7/16 UNC X 3 CS G.5 ZN		00 03
62	0503011135	BOLT		03 03
63	0503011103	7/16" X 2-1/2" BOLT		05 00
64	0521062870	FRONT FRAME CENTRIC		01 01
64.	0521065057	FRONT CENTRAL FRAME		00 01
65	0521062871	REAR FRAME CENTRAL		01 01
65.	0521065061	REAR CENTRAL FRAME		00 01



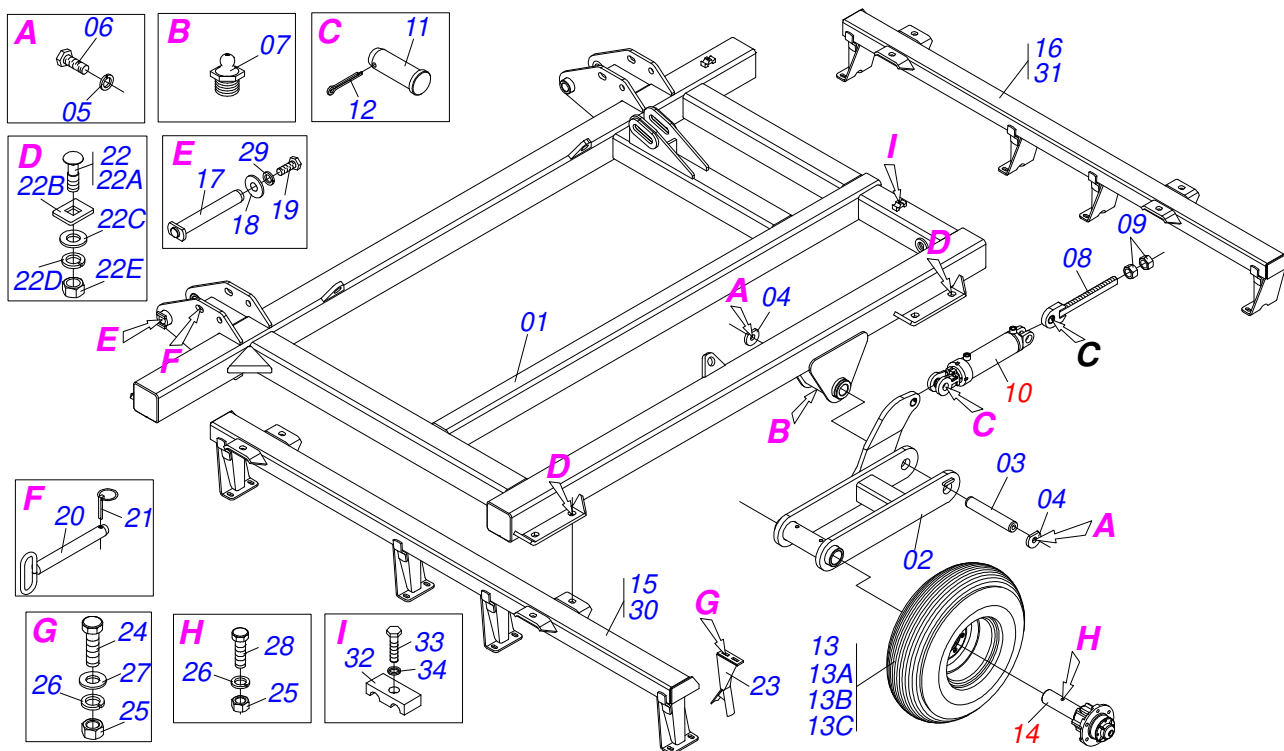
Item	Code	Description	See page	96 108
00.	0511056642	FRONT RIGHT SIDE FRAME		01 01
01	0521062862	RIGTH SIDE REAR FRAME		01 01
01.	0521065588	FRONT RIGHT SIDE FRAME		00 01
02	0521062989	RIGHT SIDE CARRYING-WHEELS		01 01
03	0551019516	COUPLING SHAFT		01 01
04	0551019512	LOCK WASHER		02 02
05	0503010012	1" SPRING WASHER		02 02
06	0503011250	1" X 2" BOLT		02 02
07	0503010002	1800 GREASE FITTING		01 01
08	0521062963	REGULATOR SPINDLE		01 01
09	0501010110	1.1/2" NUT		02 02
10	0521012538	1.2" X 3.5" COUPLING SHAFT		02 02
11	0503010523	1/4" X 2" COTTERPIN		02 02
12	0503060181	WHEEL AND TIRE		01 01
13	0511045580	CARRYING WHEEL HUB ASSY	14	01 01
14	0521065080	RIGHT FRONT FRAME - 96D		00 01
14.	0521065056	RIGHT REAR FRAME - 108D		00 01
15	0521065078	RIGHT REAR FRAME - 96D		00 01
15.	0521065059	RIGHT REAR FRAME - 108D		00 01
16	0521062964	PIVOT SHAFT FRAME		02 02
17	0511017232	FLAT WASHER		02 02
18	0501011544	3/4" X 1-1/2" BOLT		02 02
19	0501069463	1" X 8" LOCK PIN		02 02
20	0503030119	LOCK PIN		02 02
21	0501040877	C1" X 3-1/4" ASSY BOLT		08 08
21A	0501014309	C1" X 3-1/4" BOLT		08 08
21B	0501010951	1" SQUARE WASHER		08 08
21C	0501010065	1" SPRING WASHER		08 08
21D	0503011438	SPRING WASHER		08 08
21E	0501010059	1.5/8 NUT		08 08
22	0511060204	CLEANER - OPTIONAL		19 24



GNACR - 64/72/84/96/108D
FRAME RIGHT SIDE - 96/108D

Page 5
0909094410

Item	Code	Description	See page	96 108
23	0503010920	1/2" X 1.1/2" BOLT		38 48
24	0503010060	1/2" NUT		39 49
25	0503010019	1/2" SPRING WASHER		39 49
26	0511017302	FLAT WASHER		38 48
27	0503010706	SCREW 1/2 UNC X 4.1/2 C S G.5 ZN		01 01
28	0503010023	3/4" SPRING WASHER		02 02
29	0502010477	HOSE CLAMP		02 02
30	0503010277	7/16" X 1-1/2" BOLT		02 02
31	0503010180	7/16" SPRING WASHER		02 02

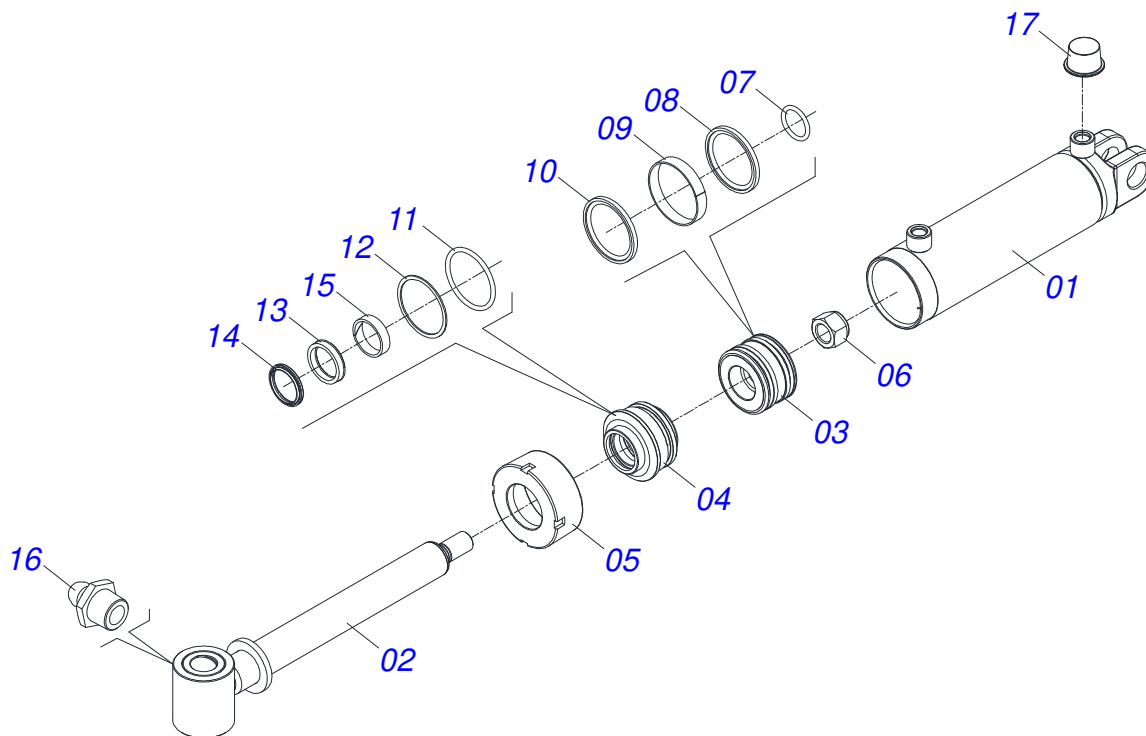


Item	Code	Description	See page	96 108
00.	0511056641	LEFT HAND FRAME		00 01
00...	0511056644	REAR RIGHT SIDE FRAME		00 01
01	0521062859	LEFT FRAME SIDE - 96/108D		01 01
01.	0521065587	LEFT SIDE FRAME - 96/108D		00 01
02	0521062987	CARRYING-WHEELS SIDE LEFT		01 01
03	0551019516	COUPLING SHAFT		01 01
04	0551019512	LOCK WASHER		02 02
05	0503010012	1" SPRING WASHER		02 02
06	0503011250	1" X 2" BOLT		02 02
07	0503010002	1800 GREASE FITTING		01 01
08	0521062963	REGULATOR SPINDLE		01 01
09	0501010110	1.1/2" NUT		02 02
10	0521012538	1.2" X 3.5" COUPLING SHAFT		02 02
11	0503010523	1/4" X 2" COTTERPIN		02 02
12	0503060181	WHEEL AND TIRE		01 01
13	0511045580	CARRYING WHEEL HUB ASSY	14	01 01
14	0521065079	LEFT REAR FRAME - 96D		01 00
14.	0521065058	LEFT FRONT FRAME - 108D		00 01
15	0521065077	FRAME REAR LEFT - 96D		01 00
15.	0521065060	FRAME REAR LEFT - 108D		00 01
16	0521062964	PIVOT SHAFT FRAME		02 02
17	0511017232	FLAT WASHER		02 02
18	0501011544	3/4" X 1-1/2" BOLT		02 02
19	0501069463	1" X 8" LOCK PIN		02 02
20	0503030119	LOCK PIN		02 02
21	0501040877	C1" X 3-1/4" ASSY BOLT		02 02
21A	0501014309	C1" X 3-1/4" BOLT		08 08
21B	0501010951	1" SQUARE WASHER		08 08
21C	0501010065	1" SPRING WASHER		08 08
21D	0503011438	SPRING WASHER		08 08
21E	0501010059	1.5/8 NUT		08 08



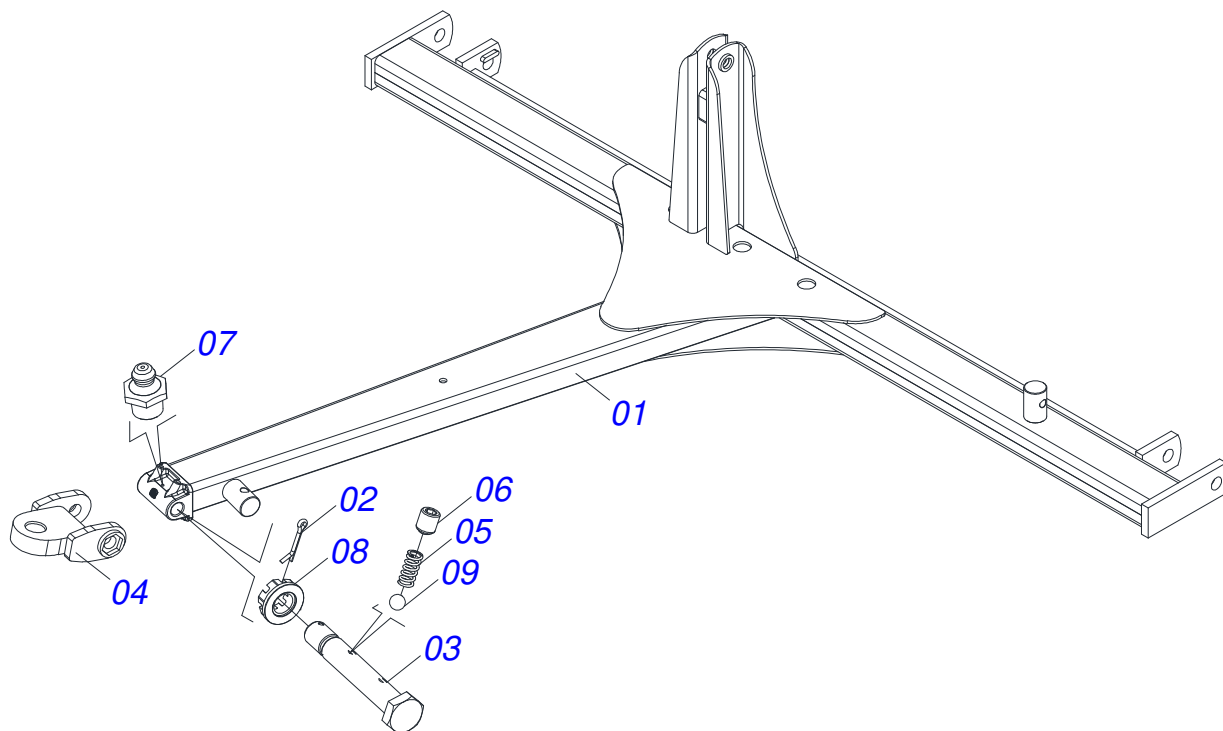
GNACR - 64/72/84/96/108D
FRAME SIDE LEFT - 96/108D

Item	Code	Description	See page	96 108
22	0511060204	CLEANER - OPTIONAL		18 24
23	0503010920	1/2" X 1.1/2" BOLT		36 48
24	0503010060	1/2" NUT		37 49
25	0503010019	1/2" SPRING WASHER		37 49
26	0511017302	FLAT WASHER		36 48
27	0503010706	SCREW 1/2 UNC X 4.1/2 C S G.5 ZN		01 01
28	0503010023	3/4" SPRING WASHER		02 02
30	0502010477	HOSE CLAMP		02 02
31	0503010277	7/16" X 1-1/2" BOLT		02 02
32	0503010180	7/16" SPRING WASHER		02 02

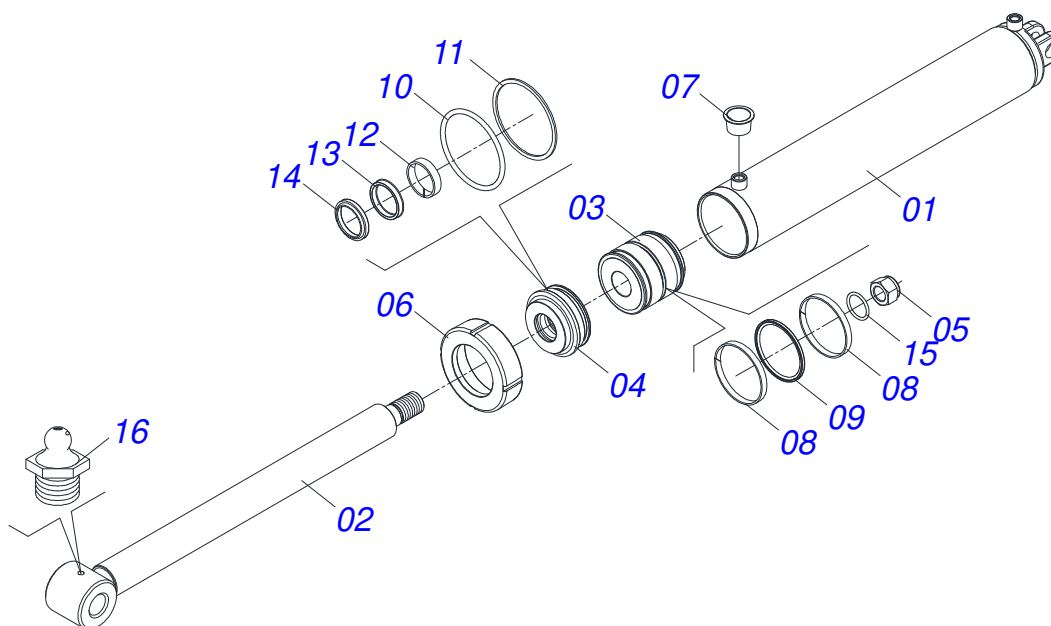


Item	Code	Description	See page	QT
01	0511068373	101,6 X 203 CYLINDER CASE		01
02	0521062882	53,98 X 448 TURNBUCKLE		01
03	0502011249	PISTON		01
04	0502011250	RING OF SUPPORT		01
05	0502010017	4" HEAD		01
06	0503010817	1.1/4" SELF LOCKING NUT		01
07	0503010345	2-218 N 3006-9B O'RING		01
08	0503012725	GASKET		01
09	0503010994	W2-4000-500 PK RING G.E		01
10	0503010043	PACKING 3750-3250		01
11	0503010338	2-342 N 3006-9B O'RING		01
12	0503011061	8-342 BACK-UP RING		01
13	0503010319	D-2125 SCRAPER		01
14	0503010314	GASKET		01
15	0503010973	W2-2500-500 PK O'RING G.E		01
16	0503010002	1800 GREASE FITTING		01
17	0503030384	CON PLUG N-001		02
18	0511031218	CYLINDER REPAIR KIT 53,98 X 101,6		01

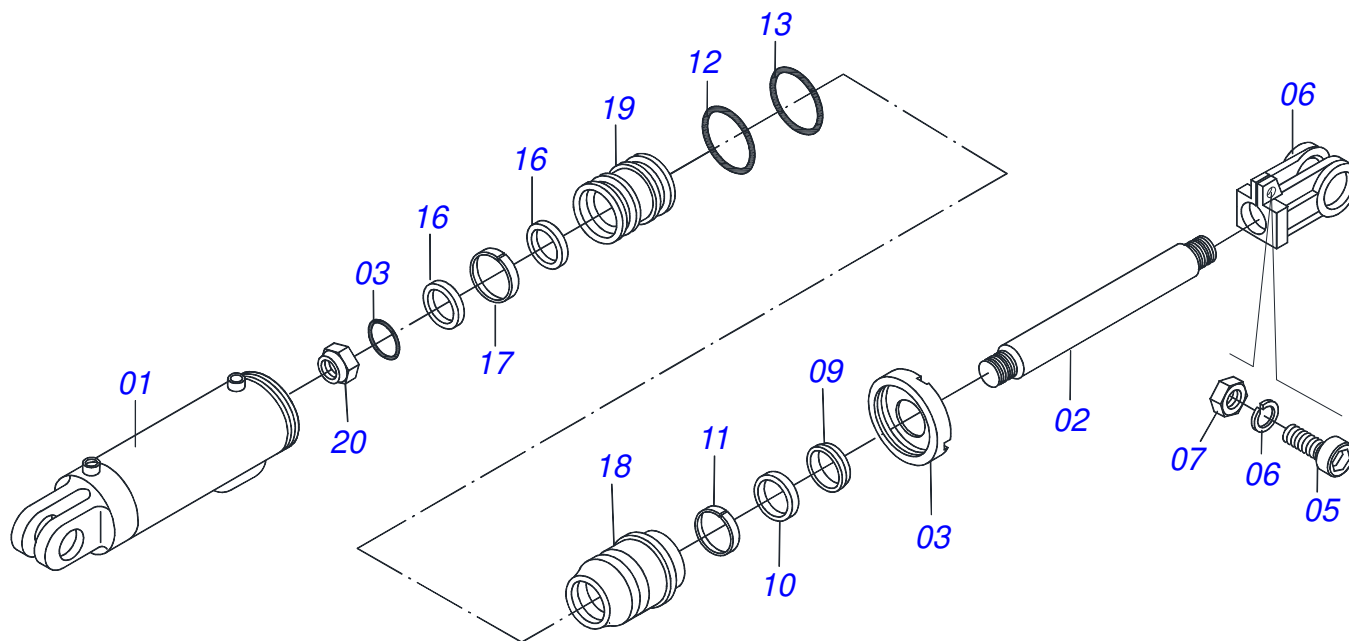
DRAWBAR ASSY



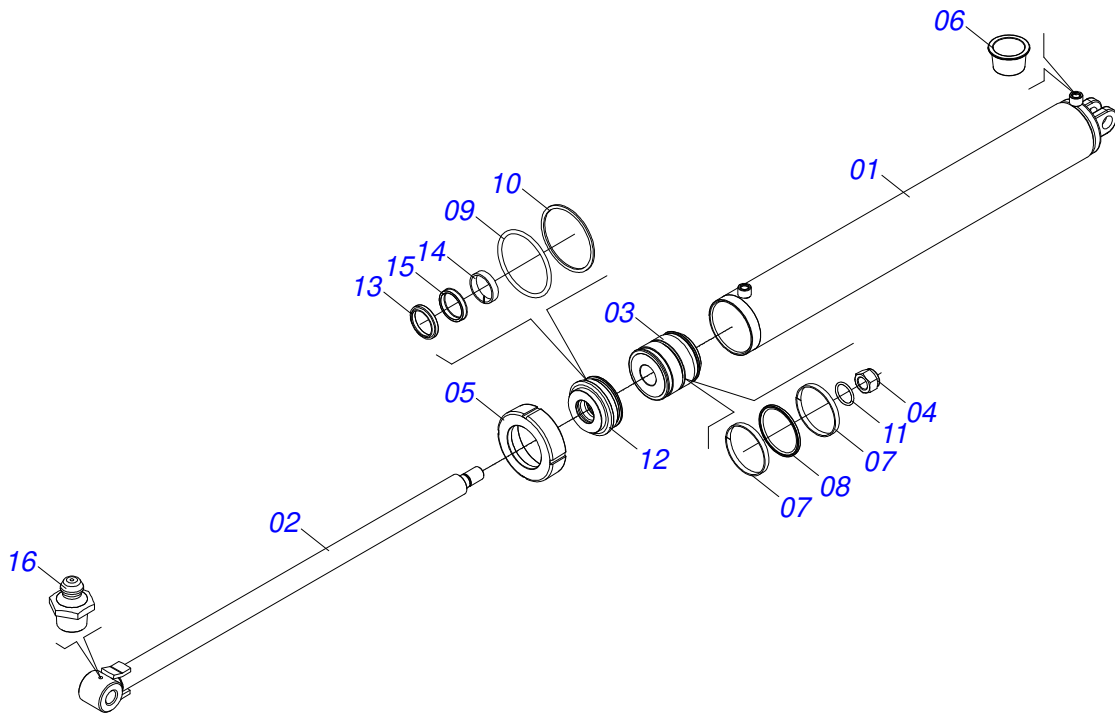
Item	Code	Description	See page	QT
01	0521062879	DRAWBAR		01
02	0503010010	1/4" X 2.1/2" COTTERPIN		01
03	0571016538	1-1/2" X 245" BOLT		01
04	0511070237	TRACTOR HITCH		01
05	0503033994	COMPRESSION SPRING		02
06	0503013333	BOLT		02
07	0503010002	1800 GREASE FITTING		01
08	0501011301	1.1/2 UNC 6FPP 2.5/16 NUT		01
09	0503012389	1/2 BALL		02



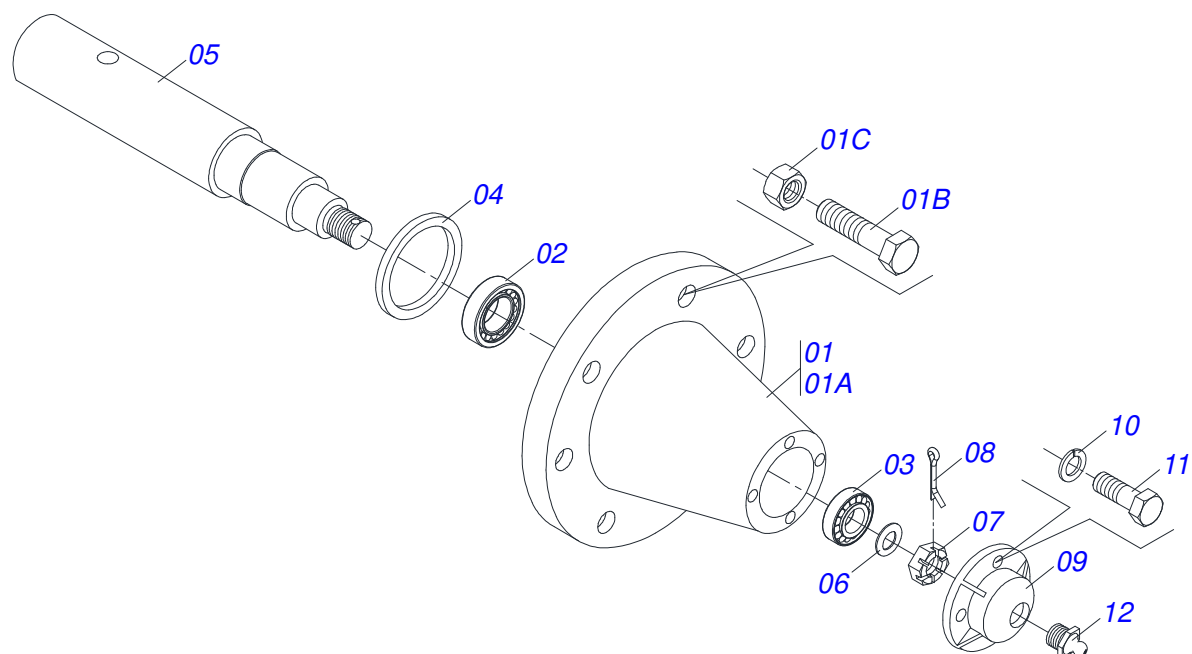
Item	Code	Description	See page	QT
01	0521063028	127 X 863 CYLINDER CASE		01
02	0521063027	50,8 X 888 ROD		01
03	0502012518	50.8 X 127 PISTON		01
04	0502012227	50.80 X 127 RING SUPPORT		01
05	0503010817	1.1/4" SELF LOCKING NUT		02
06	0502010382	5" END CAP		02
07	0503030384	CON PLUG N-001		01
08	0503010974	W2-5000-500 RING		01
09	0503013440	OE 127 GASKET		01
10	0503010351	2-425 N 3006-9B O'RING		01
11	0503011062	8-425 BACK-UP RING		01
12	0503010952	W2-2250-500 RING		01
13	0503010991	1870-2000-375-B GASKET		01
14	0503010039	D-2000 SCRAPER RING		01
15	0503010345	2-218 N 3006-9B O'RING		01
16	0503010002	1800 GREASE FITTING		01



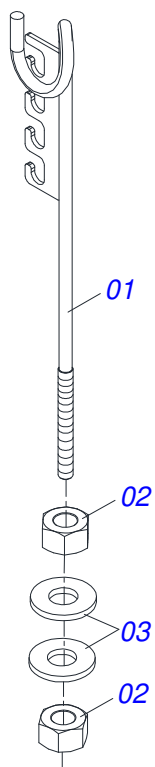
Item	Code	Description	See page	QT
00	0511045694	44,45 X 85,7 X 515 X 203 HYDRAULIC CYLINDER	10	01
01	0511068372	85,72 X 203 CYLINDER CASE		01
02	0521010421	HYDRAULIC CYLINDER TURNBUCKLE		01
03	0502010993	DETACHABLE COVER		01
04	0511018115	1.8" X 0.1" 0.7" BUSHING		01
05	0503011148	3/8" X 1/2" BOLT		01
06	0502040747	32.54 CLEVIS CLAMP		01
07	0503011094	3/8" X 2" BOLT		01
08	0503010025	3/8" SPRING WASHER		01
09	0503010026	3/8" NUT		01
10	0503010042	2-214 N 3006-9B O'RING		01
11	0503010948	W4-3346-590 PK RING G.E		01
12	0503010761	D-1750 SCRAPER RING		01
13	0503010990	GASKET		01
14	0503011060	8-336 BACK-UP RING		01
15	0503010979	2-336 N 3006-9B O'RING		02
16	0503010949	W2-2000-500 PK RING G.E		01
17	0503012509	GASKET		01
18	0502010781	RING SUPPORT		01
19	0502011847	1.7" X 3.4" PISTON		01
20	0503010063	1" SELF-ALIGNING NUT		01
21	0503030384	CON PLUG N-001		02



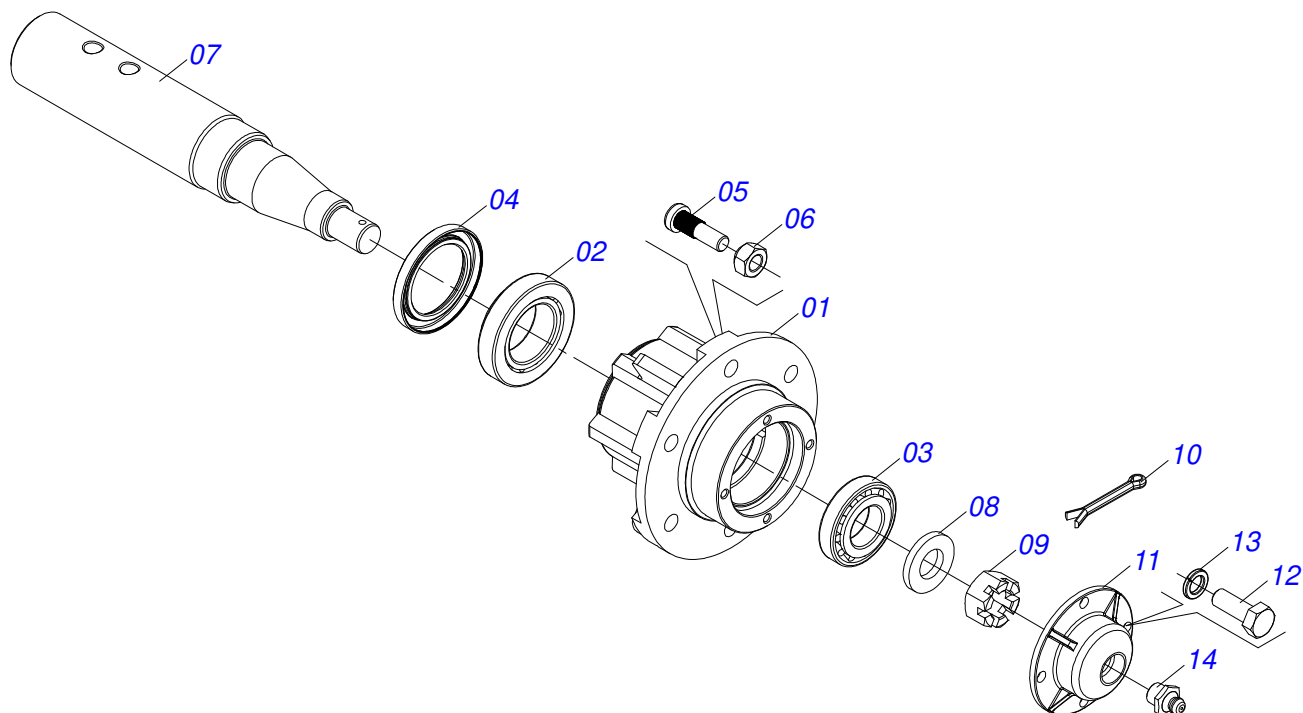
Item	Code	Description	See page	QT
01	0511068524	CYLINDER BARREL		01
02	0511069760	50.80 X 1215 ROD		01
03	0502012518	50.8 X 127 PISTON		01
04	0503010817	1.1/4" SELF LOCKING NUT		01
05	0502010382	5" END CAP		01
06	0503030384	CON PLUG N-001		02
07	0503010974	W2-5000-500 RING		02
08	0503013440	OE 127 GASKET		01
09	0503010351	2-425 N 3006-9B O'RING		01
10	0503011062	8-425 BACK-UP RING		01
11	0503010345	2-218 N 3006-9B O'RING		01
12	0502012227	50.80 X 127 RING SUPPORT		01
13	0503010952	W2-2250-500 RING		01
14	0503010039	D-2000 SCRAPER RING		01
15	0503010991	1870-2000-375-B GASKET		01
16	0503010002	1800 GREASE FITTING		01
17	0501039856	HYDRAULIC CYLINDER REPAIR KIT		01



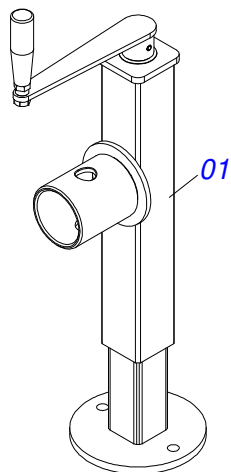
Item	Code	Description	See page	QT
01	0501110738	CARRYING WHEEL HUB		01
01A	0502012260	TRANSPORT WHEEL BOX		01
01B	0503010064	5/8 UNF CONIC NUT		08
01C	0501010186	WHEEL SCREW 5/8UNF X 2.1/8CR		08
02	0503011156	ROLAMENTO 2780/2720 IMP		01
03	0503010008	3780/3720 ROLLER BEARING		01
04	0503013314	RETAINER 5166-GB 63,5 X 110 X 13 ARCA		01
05	0511012494	SPINDLE		01
06	0511012492	FLAT WASHER		01
07	0503030009	1" CASTLE NUT		01
08	0503010018	5/32 X 1-1/2 COTTERPIN		01
09	0502020591	PROTECCION COVER		01
10	0503011444	SPRING WASHER		04
11	0503010358	5/16" X 5/8" BOLT		04
12	0503010002	1800 GREASE FITTING		01



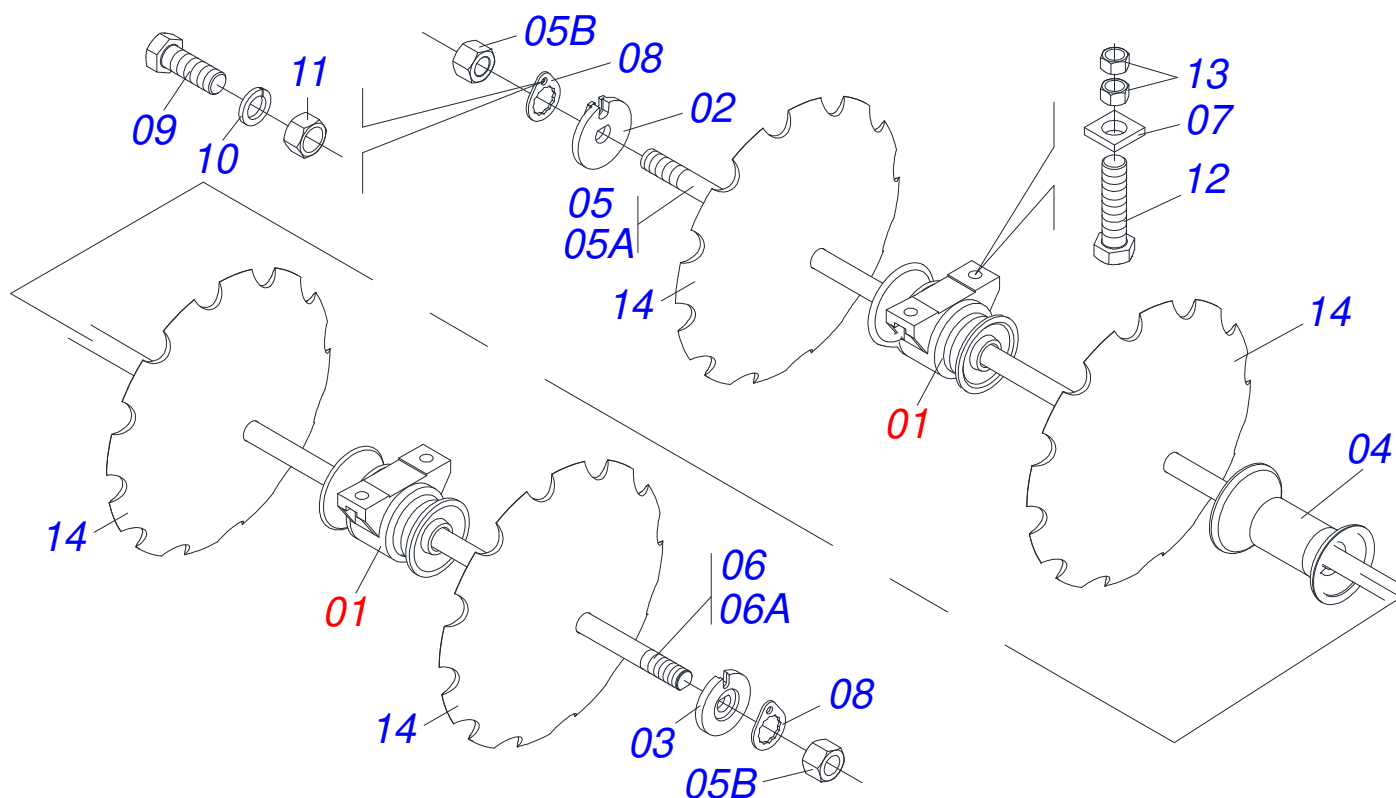
Item	Code	Description	See page	QT
01	0511067334	HOSE SOPPORT ASSY		01
02	0503010014	3/4" NUT		02
03	0501010322	FLAT WASHER		02



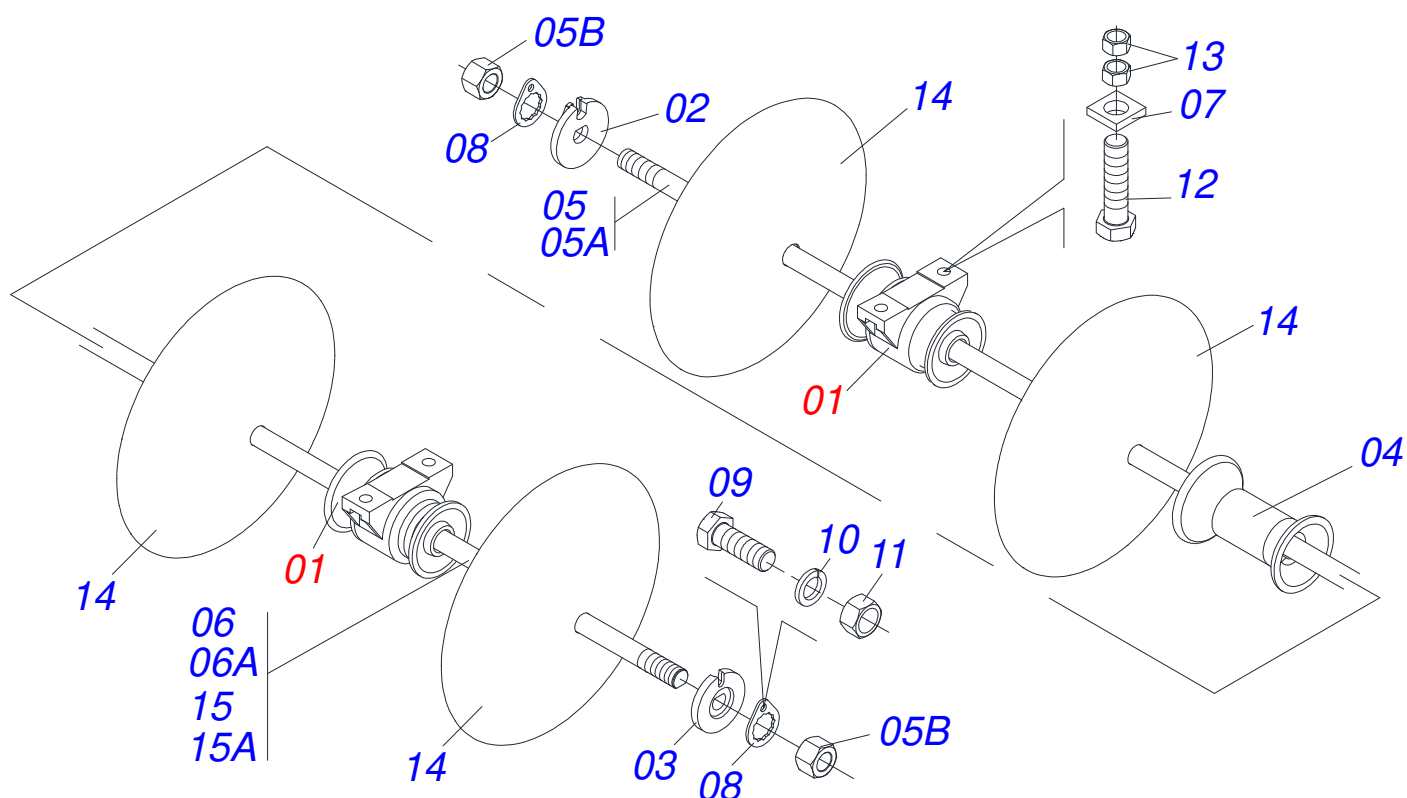
Item	Code	Description	See page	QT
01	0502011121	CARRYING WHEEL HUB		01
02	0503010006	32210 ROLLER BEARING		01
03	0503010037	30207 ROLLER BEARING		01
04	0503011867	00517-BR SEAL WITH HOLE		01
05	0501010127	9/16" X 1-7/8" LUG BOLT		06
06	0503010035	9/16" CONIC NUT		06
07	0541015259	63,40 X 366 AXLE		01
08	0501016545	FLAT WASHER		01
09	0503030009	1" CASTLE NUT		01
10	0503010018	5/32 X 1-1/2 COTTERPIN		01
11	0502020591	PROTECCION COVER		01
12	0503010178	5/16" X 7/8" BOLT		04
13	0503010179	5/16" ZN SPRING WASHER		04
14	0503010002	1800 GREASE FITTING		01



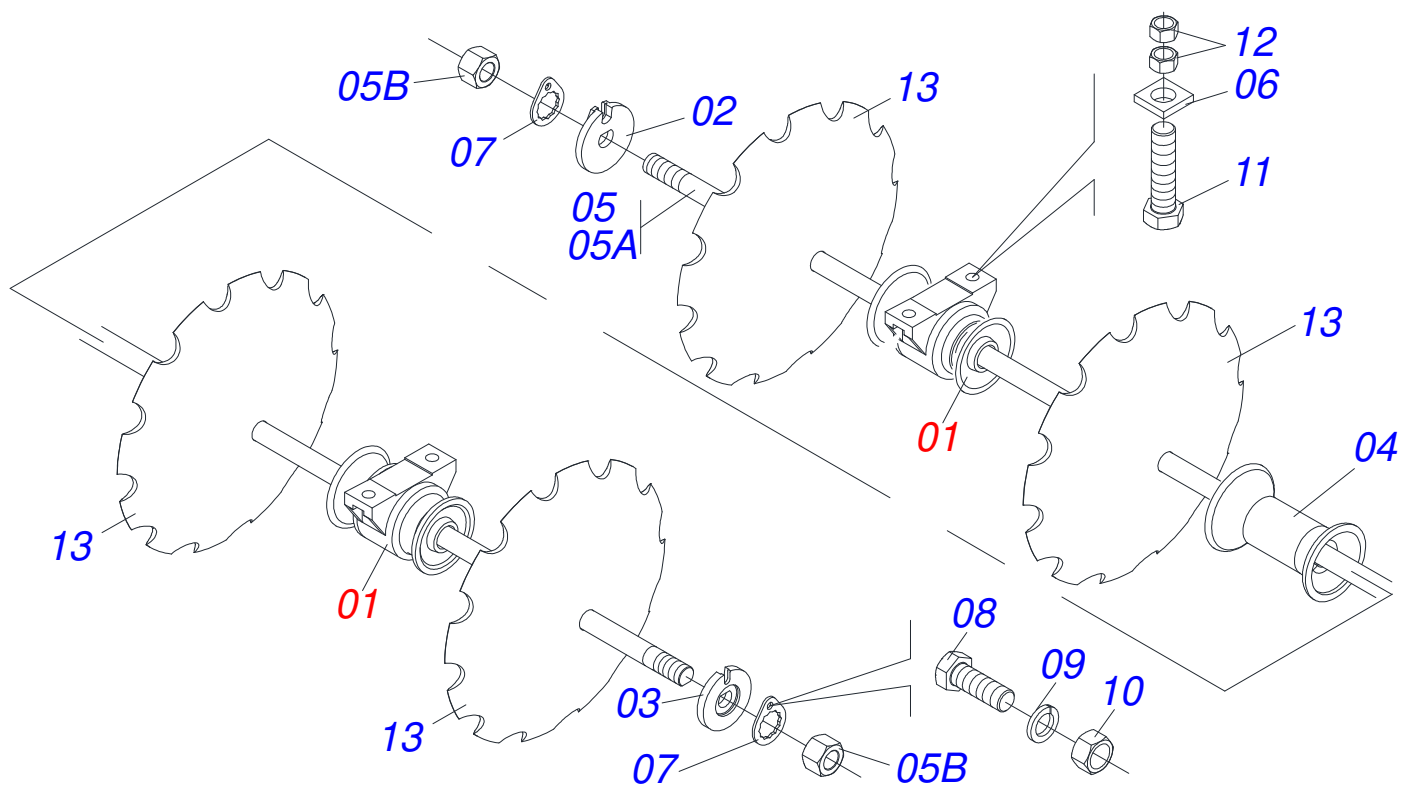
Item	Code	Description	See page	QT
01	0503062227	DRAWBAR JACK		01



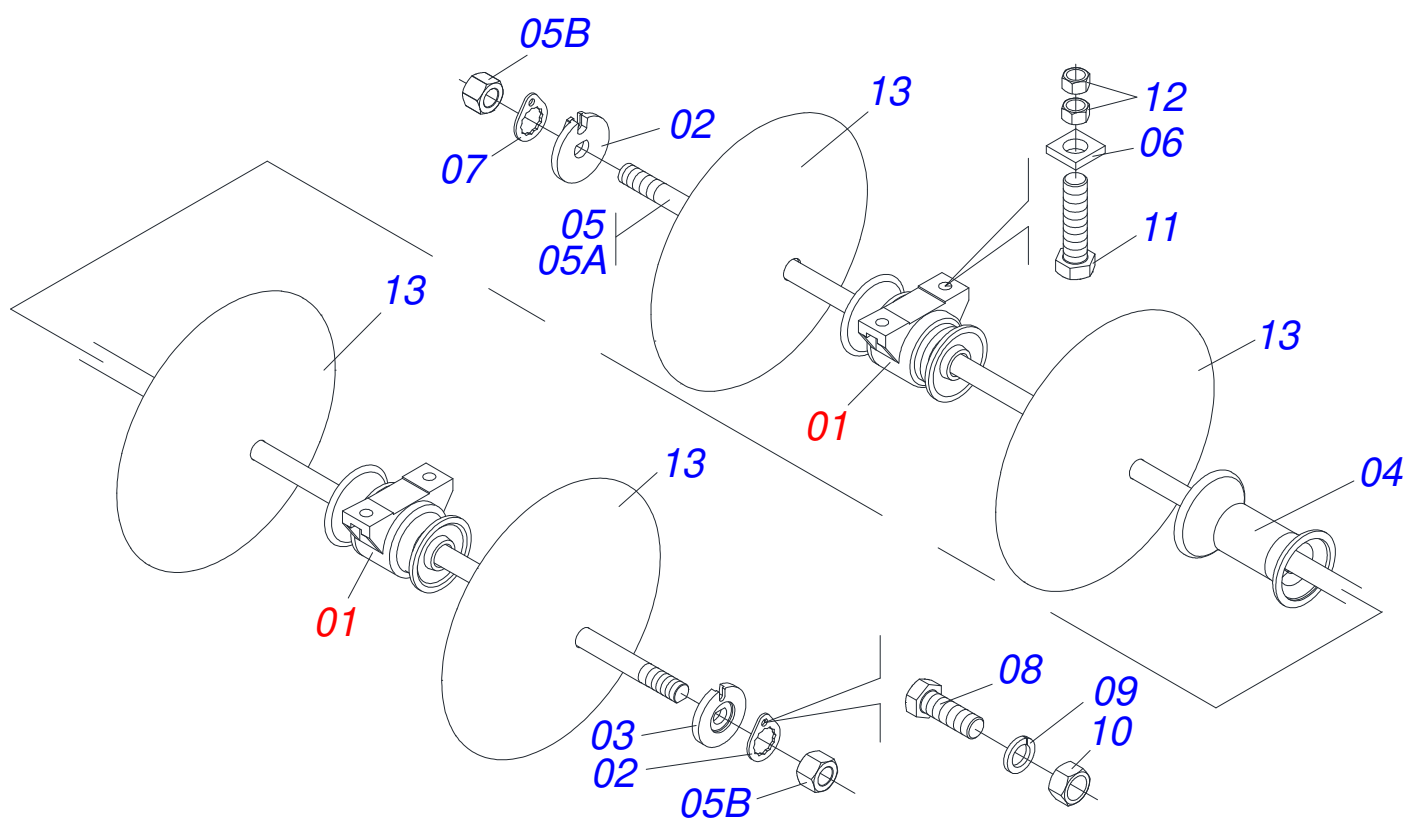
Item	Code	Description	See page	QT
01	0511040472	AGRICULTURAL BEARING	26	09
02	0502010872	1-1/2" INNER AXLE WASHER		03
03	0502010871	1-1/2" EXTERNAL AXLE WASHER		03
04	0502011594	SPACER		20
05	0521040747	1-1/2" X 2320 AXLE ASSY		01
05A	0571011040	1-1/2" X 2320 AXLE		01
05B	0501010110	1.1/2" NUT		06
06	0521040668	1.1/2" X 1920 AXLE ASSY		02
06A	0571010817	1,1/2" X 1920 AXLE		02
07	0521013775	FLAT WASHER		18
08	0501018592	1.5/8" NUT LOCK		06
09	0503011267	BOLT 5/8 UNC X 1.1/2 C S G.5 ZN		06
10	0503010027	5/8" SPRING WASHER		06
11	0503010013	5/8" NUT		06
12	0503012246	5/8" X 2-3/4" BOLT		18
13	0503010129	5/8" NUT		36
14	0602029003	22" X 4,5 NOTCHED DISC BLADE		32



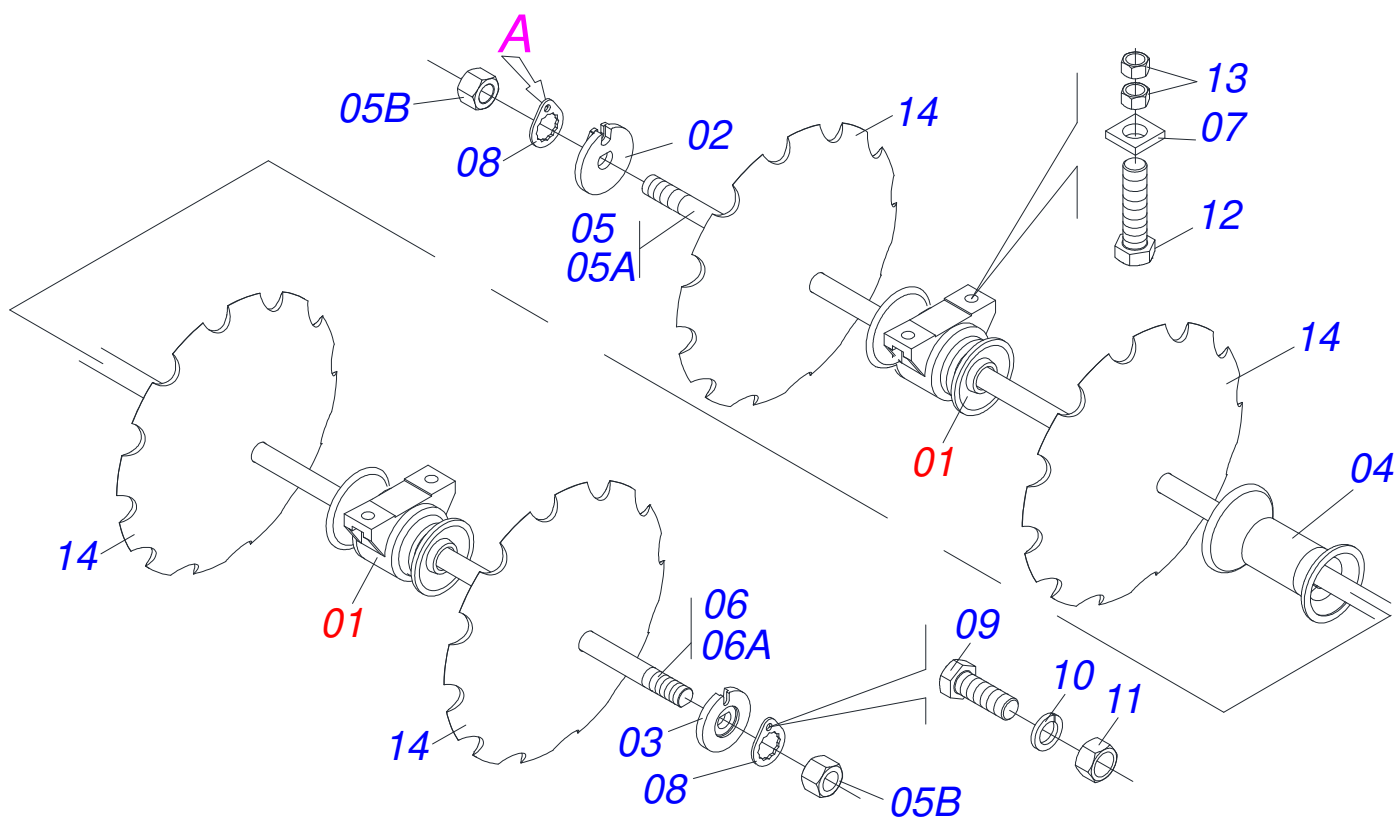
Item	Code	Description	See page	QT
01	0511040472	AGRICULTURAL BEARING	26	09
02	0502010872	1-1/2" INNER AXLE WASHER		03
03	0502010871	1-1/2" EXTERNAL AXLE WASHER		03
04	0502011594	SPACER		20
05	0521040747	1-1/2" X 2320 AXLE ASSY		01
05A	0571011040	1-1/2" X 2320 AXLE		01
05B	0501010110	1.1/2" NUT		06
06	0521040668	1.1/2" X 1920 AXLE ASSY		02
06A	0571010817	1,1/2" X 1920 AXLE		02
07	0521013775	FLAT WASHER		18
08	0501018592	1.5/8" NUT LOCK		06
09	0503011267	BOLT 5/8 UNC X 1.1/2 C S G.5 ZN		06
10	0503010027	5/8" SPRING WASHER		06
11	0503010013	5/8" NUT		06
12	0503012246	5/8" X 2-3/4" BOLT		18
13	0503010129	5/8" NUT		14
14	0601029003	22" X 4,5 PLAIN DISC BLADE		32



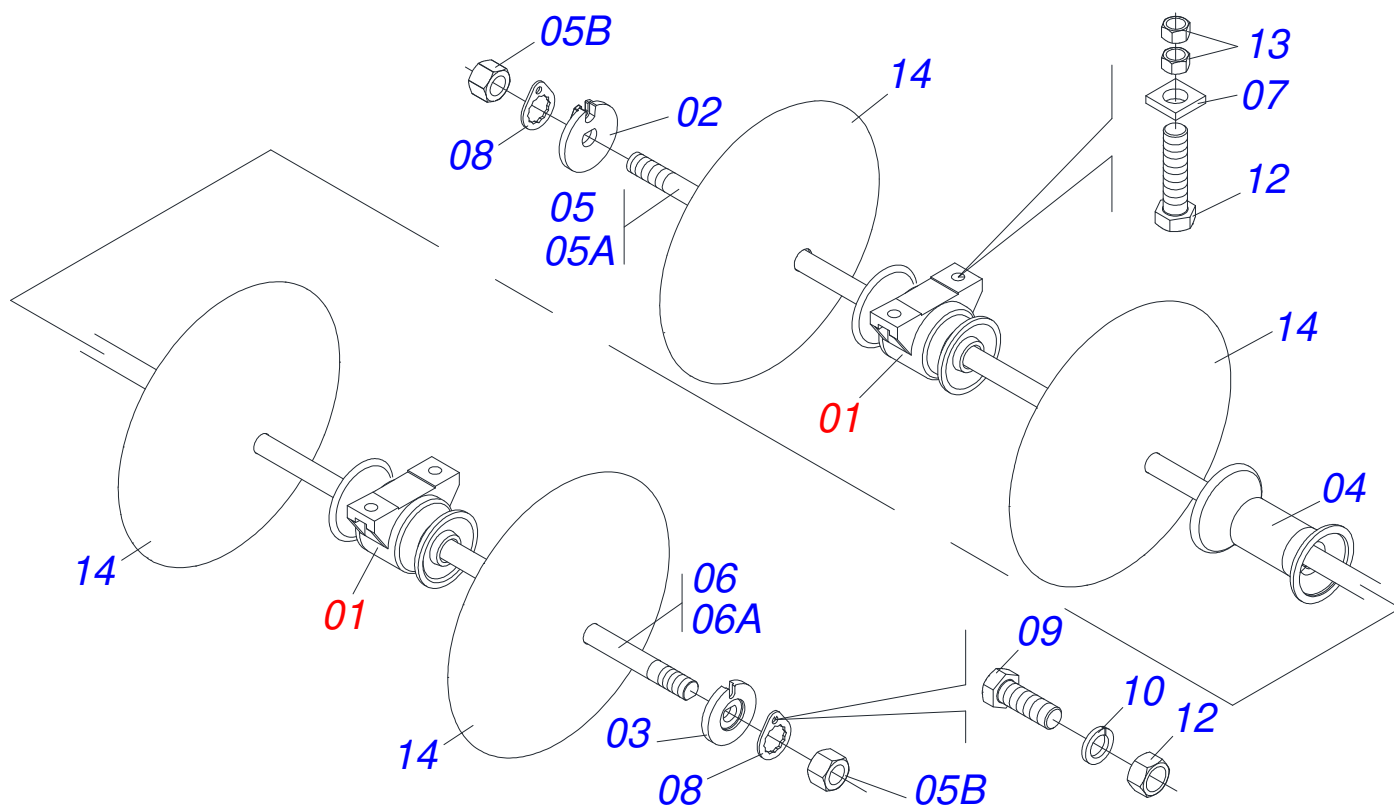
Item	Code	Description	See page	QT
01	0511040472	AGRICULTURAL BEARING	26	09
02	0502010872	1-1/2" INNER AXLE WASHER		03
03	0502010871	1-1/2" EXTERNAL AXLE WASHER		03
04	0502011594	SPACER		24
05	0521040747	1-1/2" X 2320 AXLE ASSY		03
05A	0571011040	1-1/2" X 2320 AXLE		03
05B	0501010110	1.1/2" NUT		06
06	0521013775	FLAT WASHER		18
07	0501018592	1.5/8" NUT LOCK		06
08	0503011267	BOLT 5/8 UNC X 1.1/2 C S G.5 ZN		06
09	0503010027	5/8" SPRING WASHER		06
10	0503010013	5/8" NUT		06
11	0503012246	5/8" X 2-3/4" BOLT		18
12	0503010129	5/8" NUT		36
13	0601029003	22" X 4,5 PLAIN DISC BLADE		36



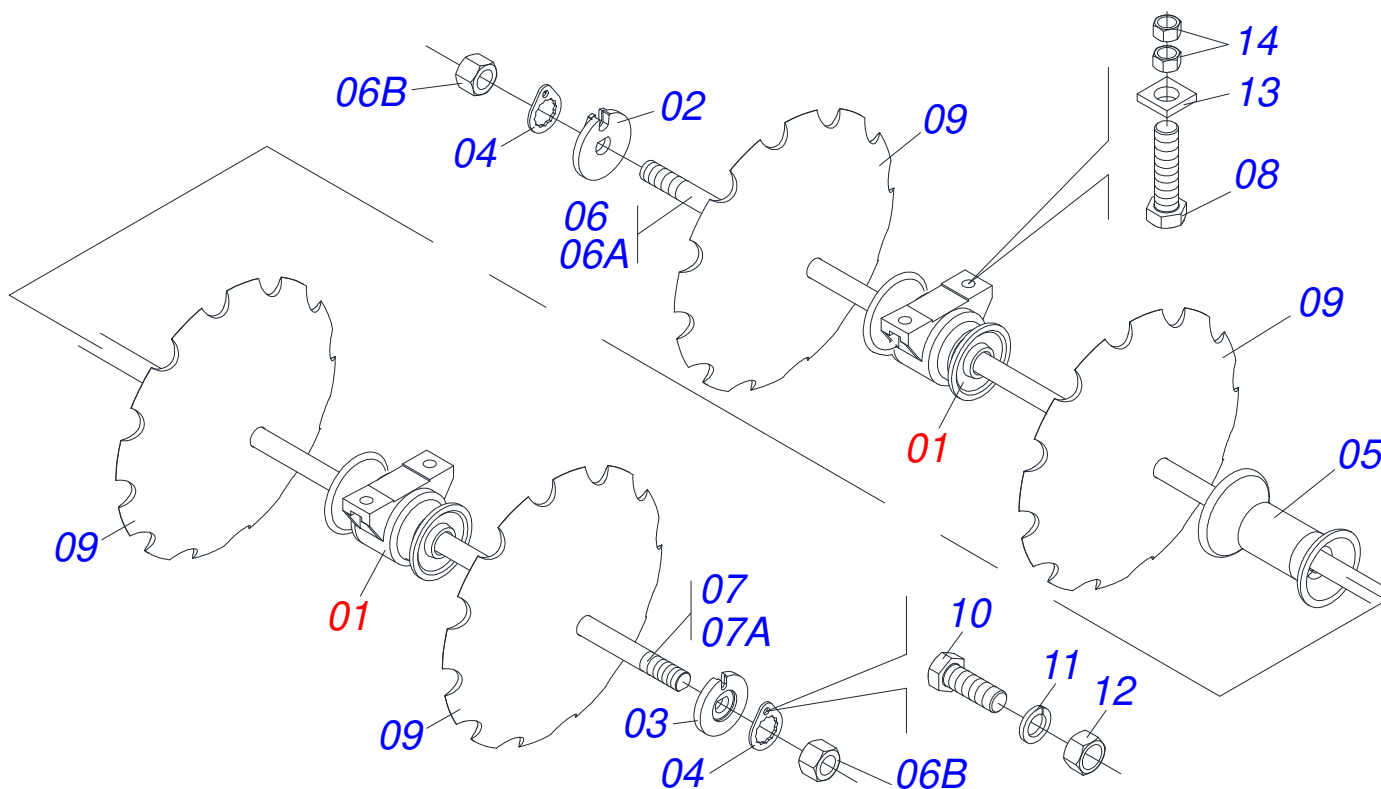
Item	Code	Description	See page	QT
01	0511040472	AGRICULTURAL BEARING	26	09
02	0502010872	1-1/2" INNER AXLE WASHER		03
03	0502010871	1-1/2" EXTERNAL AXLE WASHER		03
04	0502011594	SPACER		24
05	0521040747	1-1/2" X 2320 AXLE ASSY		03
05A	0571011040	1-1/2" X 2320 AXLE		03
05B	0501010110	1.1/2" NUT		06
06	0521013775	FLAT WASHER		18
07	0501018592	1.5/8" NUT LOCK		06
08	0503011267	BOLT 5/8 UNC X 1.1/2 C S G.5 ZN		06
09	0503010027	5/8" SPRING WASHER		06
10	0503010013	5/8" NUT		06
11	0503012246	5/8" X 2-3/4" BOLT		18
12	0503010129	5/8" NUT		36
13	0601029003	22" X 4,5 PLAIN DISC BLADE		36



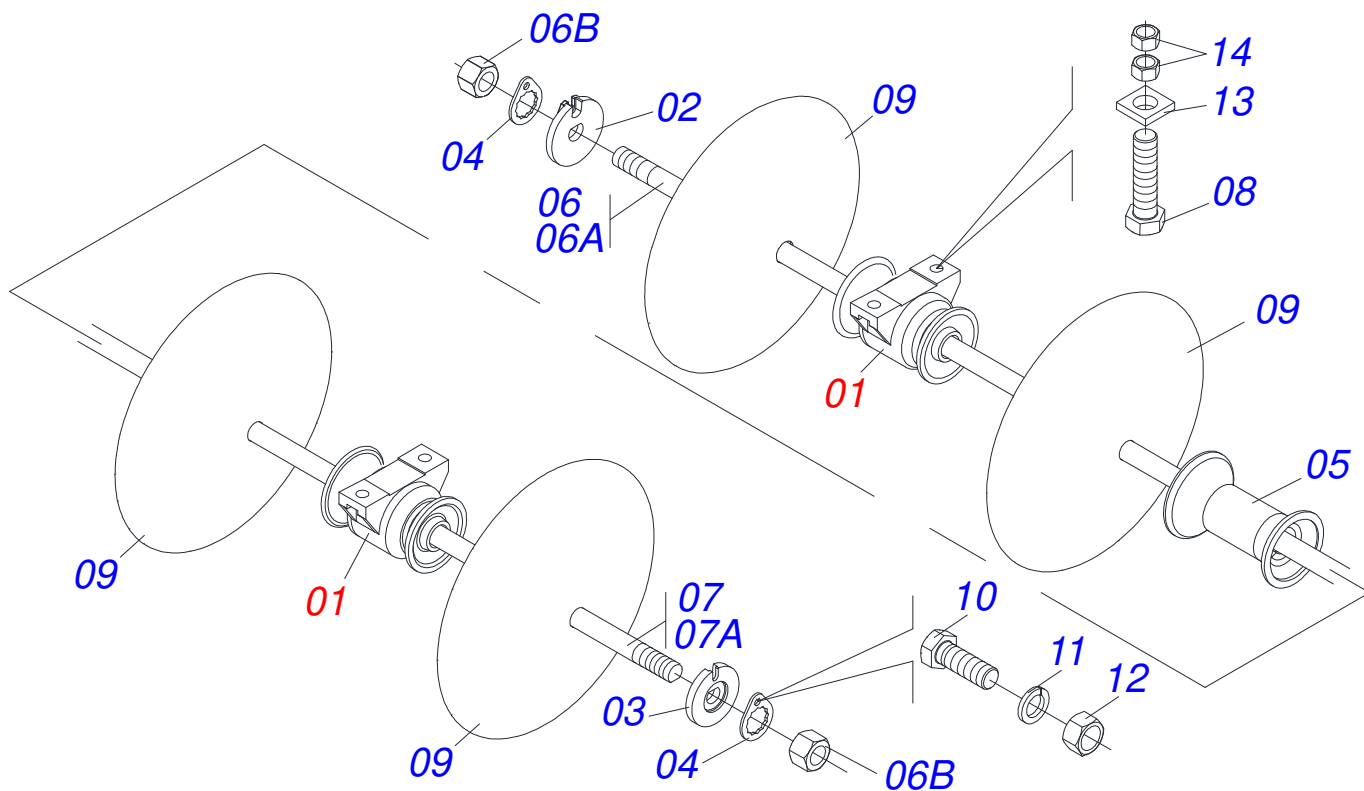
Item	Code	Description	See page	QT
01	0511040472	AGRICULTURAL BEARING	26	09
02	0502010872	1-1/2" INNER AXLE WASHER		03
03	0502010871	1-1/2" EXTERNAL AXLE WASHER		03
04	0502011594	SPACER		30
05	0521040746	1-1/2" X 2920 AXLE ASSY		02
05A	0571011039	1-1/2" X 2920 AXLE		02
05B	0501010110	1.1/2" NUT		06
06	0521040747	1-1/2" X 2320 AXLE ASSY		01
06A	0571011040	1-1/2" X 2320 AXLE		01
07	0521013775	FLAT WASHER		18
08	0501018592	1.5/8" NUT LOCK		06
09	0503011267	BOLT 5/8 UNC X 1.1/2 C S G.5 ZN		06
10	0503010027	5/8" SPRING WASHER		06
11	0503010013	5/8" NUT		06
12	0503012246	5/8" X 2-3/4" BOLT		18
13	0503010129	5/8" NUT		36
14	0602029003	22" X 4,5 NOTCHED DISC BLADE		42



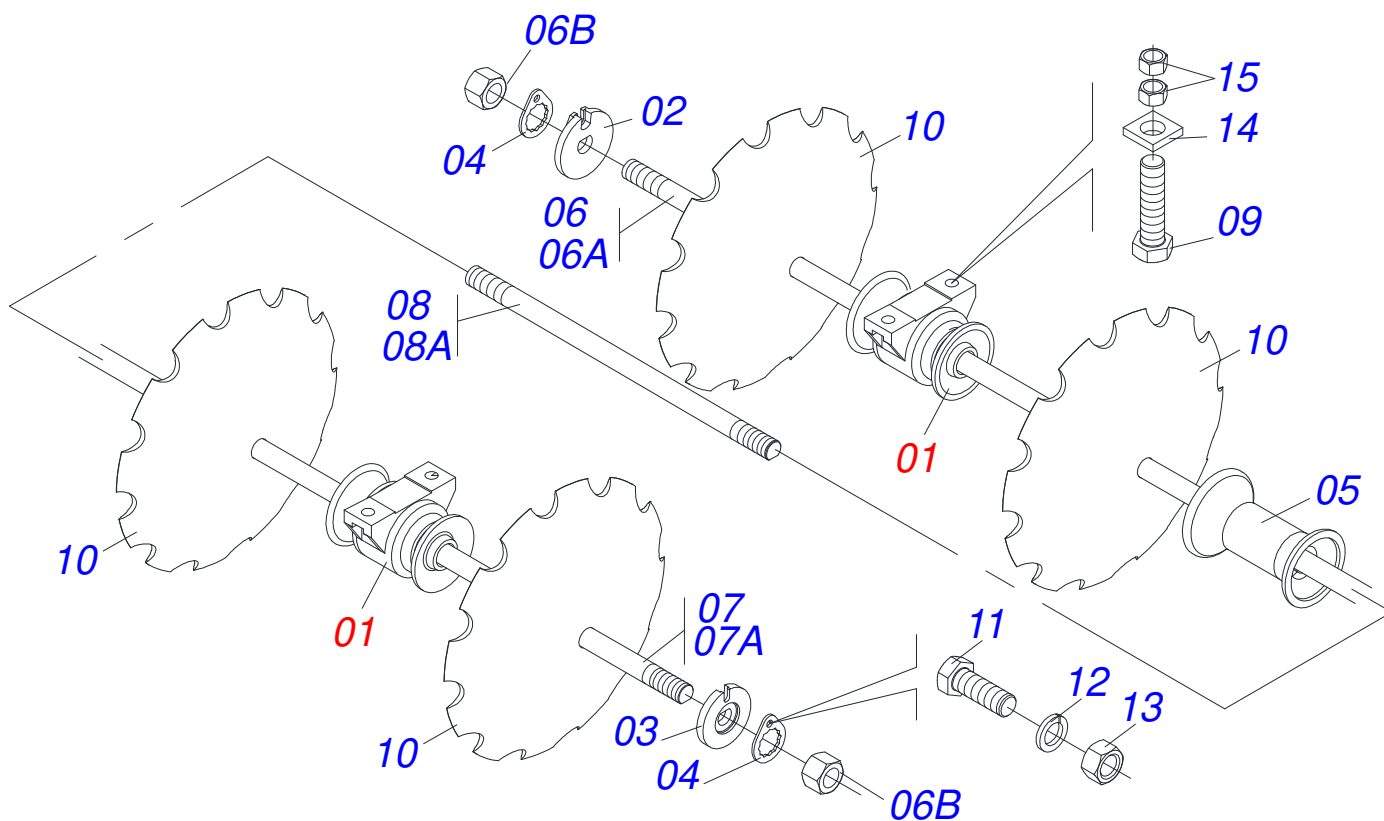
Item	Code	Description	See page	QT
01	0511040472	AGRICULTURAL BEARING	26	09
02	0502010872	1-1/2" INNER AXLE WASHER		03
03	0502010871	1-1/2" EXTERNAL AXLE WASHER		03
04	0502011594	SPACER		30
05	0521040746	1-1/2" X 2920 AXLE ASSY		02
05A	0571011039	1-1/2" X 2920 AXLE		02
05B	0501010110	1.1/2" NUT		06
06	0521040747	1-1/2" X 2320 AXLE ASSY		01
06A	0571011040	1-1/2" X 2320 AXLE		01
07	0521013775	FLAT WASHER		18
08	0501018592	1.5/8" NUT LOCK		06
09	0503011267	BOLT 5/8 UNC X 1.1/2 C S G.5 ZN		06
10	0503010027	5/8" SPRING WASHER		06
11	0503010013	5/8" NUT		06
12	0503012246	5/8" X 2-3/4" BOLT		18
13	0503010129	5/8" NUT		36
14	0601029003	22" X 4,5 PLAIN DISC BLADE		42



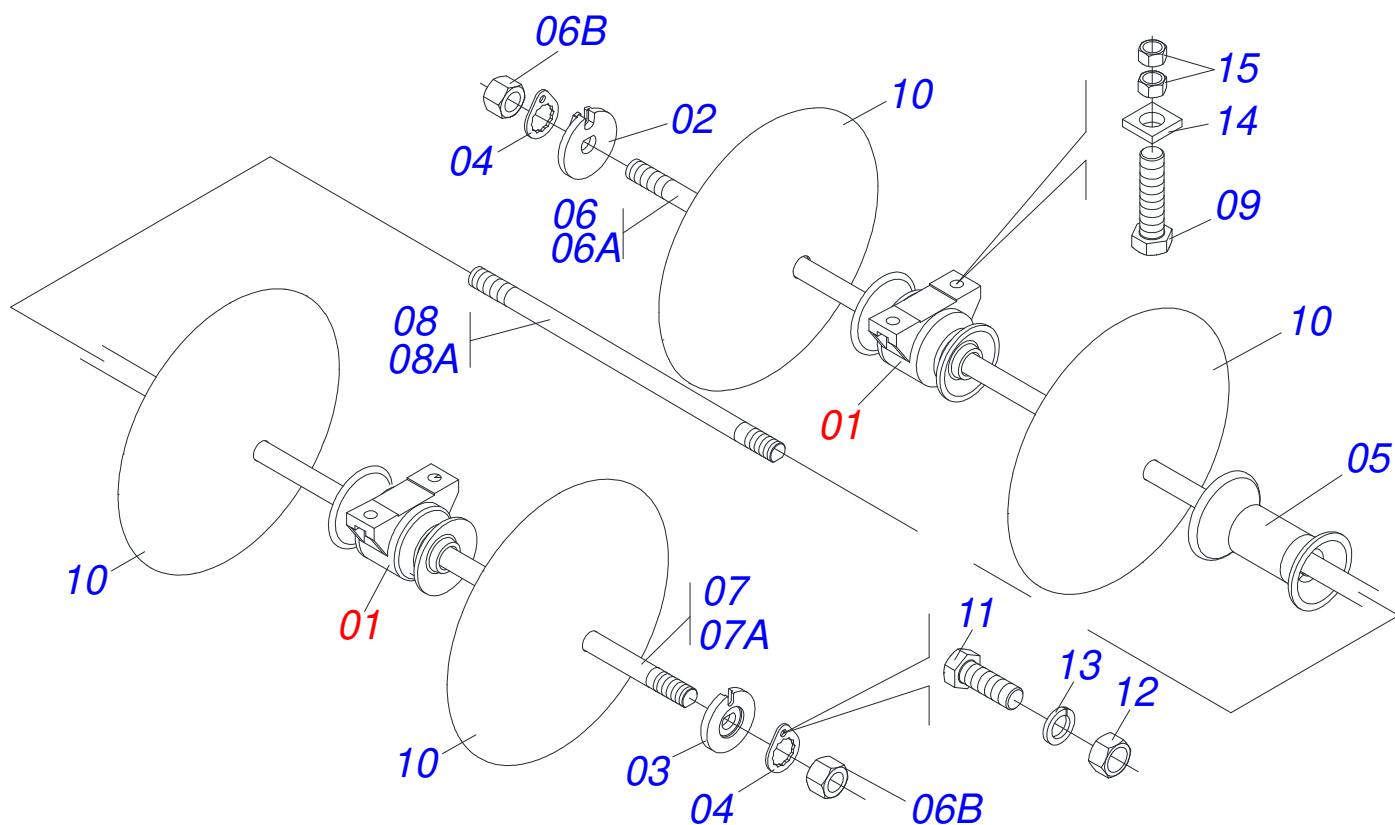
Item	Code	Description	See page	QT
01	0511040472	AGRICULTURAL BEARING	26	12
02	0502010872	1-1/2" INNER AXLE WASHER		06
03	0502010871	1-1/2" EXTERNAL AXLE WASHER		06
04	0501018592	1.5/8" NUT LOCK		12
05	0502011594	SPACER		36
06	0521040694	1-1/2" X 1320 AXLE ASSY		04
06A	0571010872	1-1/2" X 1320 AXLE ASSY		04
06B	0501010110	1.1/2" NUT		12
07	0521040668	1.1/2" X 1920 AXLE ASSY		02
07A	0571010817	1,1/2" X 1920 AXLE		02
08	0503012246	5/8" X 2-3/4" BOLT		24
09	0602029003	22" X 4,5 NOTCHED DISC BLADE		48
10	0503011267	BOLT 5/8 UNC X 1.1/2 C S G.5 ZN		12
11	0503010027	5/8" SPRING WASHER		12
12	0503010013	5/8" NUT		12
13	0521013775	FLAT WASHER		24
14	0503010129	5/8" NUT		48



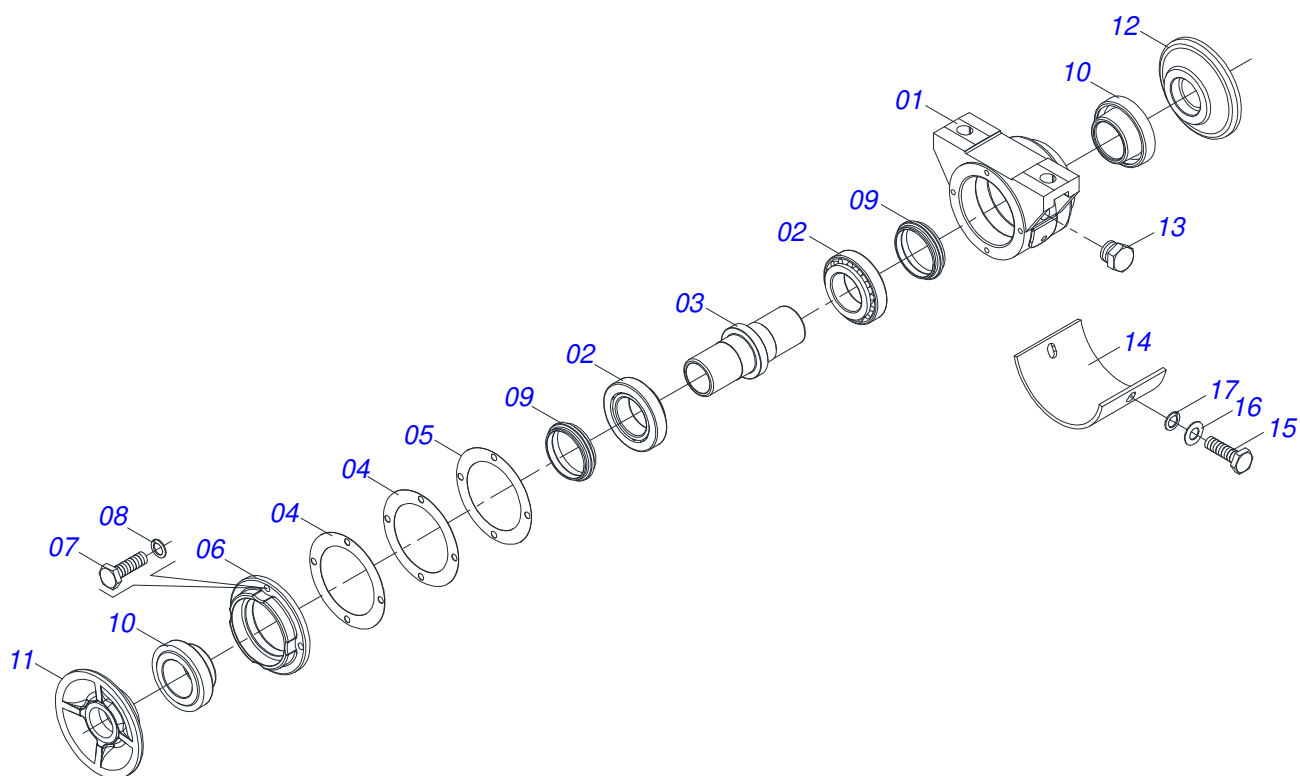
Item	Code	Description	See page	QT
01	0511040472	AGRICULTURAL BEARING	26	12
02	0502010872	1-1/2" INNER AXLE WASHER		06
03	0502010871	1-1/2" EXTERNAL AXLE WASHER		06
04	0501018592	1.5/8" NUT LOCK		12
05	0502011594	SPACER		36
06	0521040694	1-1/2" X 1320 AXLE ASSY		04
06A	0571010872	1-1/2" X 1320 AXLE ASSY		04
06B	0501010110	1.1/2" NUT		12
07	0521040668	1.1/2" X 1920 AXLE ASSY		02
07A	0571010817	1.1/2" X 1920 AXLE		02
08	0503012246	5/8" X 2-3/4" BOLT		24
09	0601029003	22" X 4,5 PLAIN DISC BLADE		48
10	0503011267	BOLT 5/8 UNC X 1.1/2 C S G.5 ZN		12
11	0503010027	5/8" SPRING WASHER		12
12	0503010013	5/8" NUT		12
13	0521013775	FLAT WASHER		24
14	0503010129	5/8" NUT		48



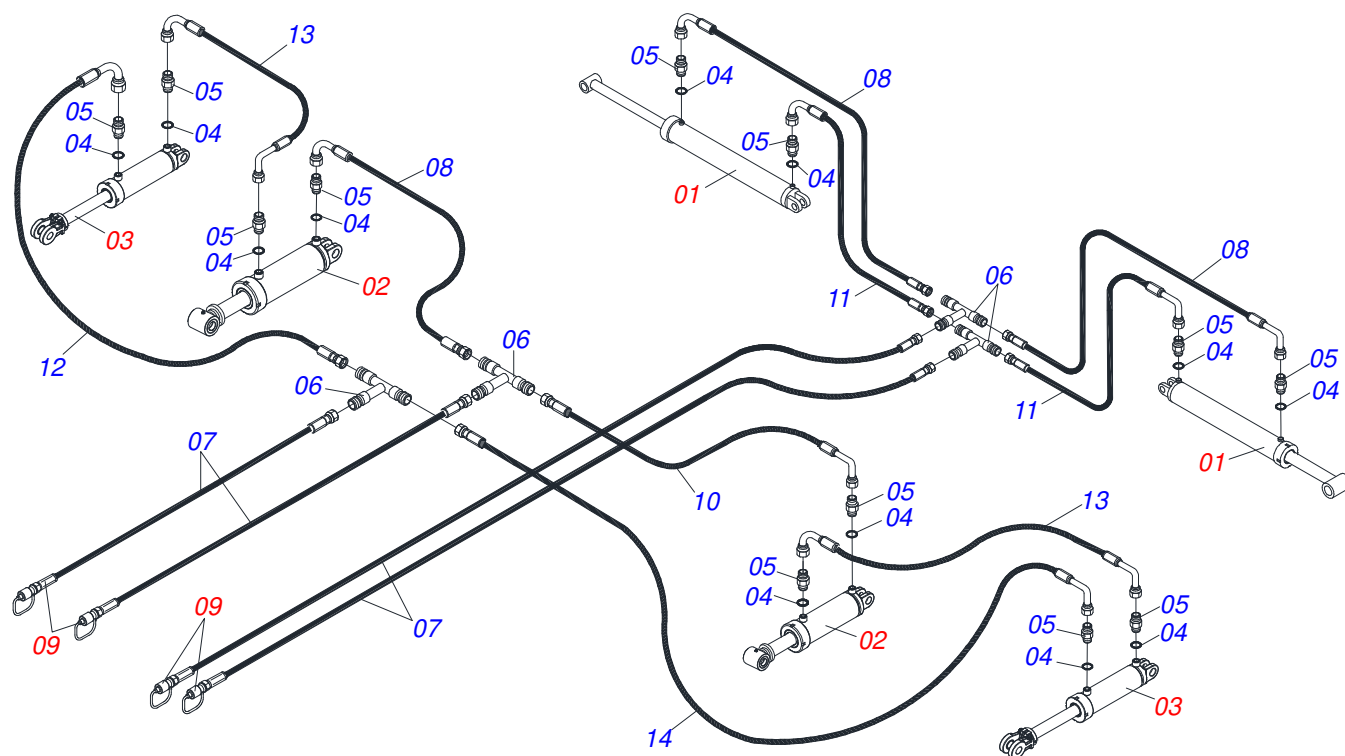
Item	Code	Description	See page	QT
01	0511040472	AGRICULTURAL BEARING	26	12
02	0502010872	1-1/2" INNER AXLE WASHER		06
03	0502010871	1-1/2" EXTERNAL AXLE WASHER		06
04	0501018592	1.5/8" NUT LOCK		12
05	0502011594	SPACER		36
06	0521040666	1,1/2" X 1520 AXLE ASSY		02
06A	0571010815	1,1/2" X 1520 AXLE		02
06B	0501010110	1.1/2" NUT		12
07	0521040667	1-1/2" X 1320 AXLE ASSY		02
07A	0571010816	1.1/2" X 1720 AXLE		02
08	0521040668	1.1/2" X 1920 AXLE ASSY		02
08A	0571010817	1,1/2" X 1920 AXLE		02
09	0503012246	5/8" X 2-3/4" BOLT		24
10	0601029003	22" X 4,5 PLAIN DISC BLADE		54
11	0503011267	BOLT 5/8 UNC X 1.1/2 C S G.5 ZN		12
12	0503010027	5/8" SPRING WASHER		12
13	0503010013	5/8" NUT		12
14	0521013775	FLAT WASHER		24
15	0503010129	5/8" NUT		48



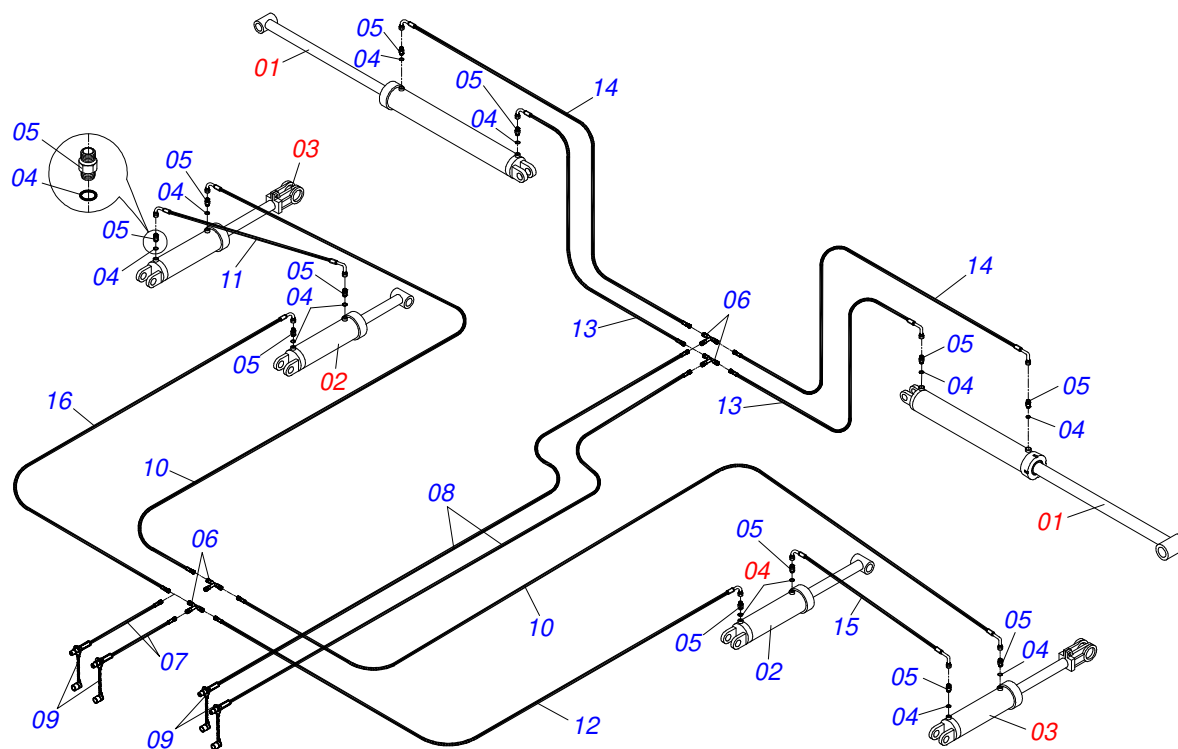
Item	Code	Description	See page	QT
01	0511040472	AGRICULTURAL BEARING	26	12
02	0502010872	1-1/2" INNER AXLE WASHER		06
03	0502010871	1-1/2" EXTERNAL AXLE WASHER		06
04	0501018592	1.5/8" NUT LOCK		12
05	0502011594	SPACER		36
06	0521040666	1,1/2" X 1520 AXLE ASSY		02
06A	0571010815	1,1/2" X 1520 AXLE		02
06B	0501010110	1.1/2" NUT		12
07	0521040667	1-1/2" X 1320 AXLE ASSY		02
07A	0571010816	1.1/2" X 1720 AXLE		02
08	0521040668	1.1/2" X 1920 AXLE ASSY		02
08A	0571010817	1,1/2" X 1920 AXLE		02
09	0503012246	5/8" X 2-3/4" BOLT		24
10	0602029003	22" X 4,5 NOTCHED DISC BLADE		54
11	0503011267	BOLT 5/8 UNC X 1.1/2 C S G.5 ZN		12
12	0503010013	5/8" NUT		12
13	0503010027	5/8" SPRING WASHER		12
14	0521013775	FLAT WASHER		24
15	0503010129	5/8" NUT		48



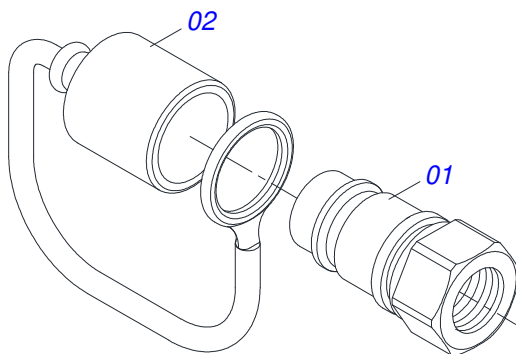
Item	Code	Description	See page	QT
01	0502012014	BODY BEARING		01
02	0503010006	32210 ROLLER BEARING		02
03	0502040514	157,50 / 157,35 AXLE		01
04	0503031730	JOINT SEALING		02
05	0503031729	JOINT SEALING		01
06	0502012015	BEARING COVER		01
07	0503010371	5/16" X 1" BOLT		04
08	0503011444	SPRING WASHER		04
09	0503030026	SEAL LP JB-253		02
10	0502010541	SEAL RETAINER		02
11	0502010604	OUTER FLANGE		01
12	0502010605	INNER FLANGE		01
13	0503010856	OIL PLUG		01
14	0521013857	PLATE PROTECTION		01
15	0503011334	BOLT 3/8 UNC X 3/4 CS G.5 ZN		02
16	0501010984	FLAT WASHER		02
17	0503010025	3/8" SPRING WASHER		02



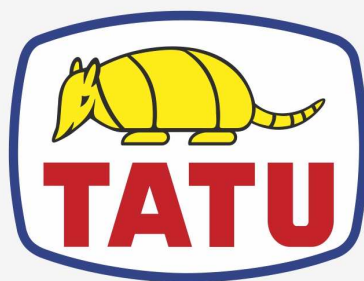
Item	Code	Description	See page	QT
01	0521040738	HYDRAULIC CYLINDER	9	02
02	0521040391	HYDRAULIC CYLINDER 53,98 X 101,6 X 515 X 203	7	02
03	0511045694	44,45 X 85,7 X 515 X 203 HYDRAULIC CYLINDER	10	02
04	0503010190	2-114 N 3006-9B O'RING		12
05	0501010617	3/4" NIPPLE		12
06	0503011271	3/4" UNF "T" CONNECTION T 3 SIDES		04
07	0501080349	3/8" X 7500 TR-TM HOSE		04
08	0501080025	3/8 X 1400 TR-TC HOSE		01
09	0501053834	MALE QUICK COUPLER WITH CAP - 1/2 NPT	29	04
10	0501080192	3/8" X 18.9" TR-TC HOSE		03
11	0501080150	3/8 X 800 TR-TC HOSE		02
12	0501080382	3/8" X 102" TR-TC HOSE ASSY		01
13	0501080408	HOSE 3/8 X 3200 TR-TC		02
14	0501080418	3/8" X 165" TR-TC HOSE ASSY		01



Item	Code	Description	See page	QT
01	0511045827	HYDRAULIC CYLINDER 50.8 X 127 X 1292 X 933	11	02
02	0521040391	HYDRAULIC CYLINDER 53,98 X 101,6 X 515 X 203	7	02
03	0511045694	44,45 X 85,7 X 515 X 203 HYDRAULIC CYLINDER	10	02
04	0503010190	2-114 N 3006-9B O'RING		12
05	0501010617	3/4" NIPPLE		12
06	0503011271	3/4" UNF "T" CONNECTION T 3 SIDES		04
07	0501080349	3/8" X 7500 TR-TM HOSE		02
08	0501080910	3/8" X 6400 TR-TM HOSE		02
09	0501053834	MALE QUICK COUPLER WITH CAP - 1/2 NPT	29	04
10	0501081752	3/8" X 4900 TR-TC HOSE		02
11	0501080699	3/8" X 3500 TC-TC HOSE		01
12	0501080419	3/8 X 2100 TR-TC HOSE		01
13	0501080348	3/8 X 1200 TR-TC HOSE		02
14	0501080714	3/8 X 1600 TR-TC HOSE		02
15	0501080813	3/4" X 4100 TR-TC HOSE		01
16	0501080431	TR-TC HOSE ASSY		01



Item	Code	Description	See page	QT
01	0503011627	MALE QUICK COUPLER AGR 1/2 NPT		01
02	0503011882	MALE QUICK COUPLER CAP		01



MARCHESAN

Technical Publications | Elaboration and Revision
JOSÉ DOMINGOS GASPARI

www.marchesan.com.br

