

ROW CROP PLANTERS

COP CA SUPREMA - 07/09 LINES

Code: 0501090957
Series: S-0408
Revision: 00
Date Revision: NOVEMBRO/2012

PARTS CATALOGUE



MARCHESAN



PRODUCTS

Code	Description
0111210008	COP CA SUP 7/7 MH S-0408
0111210004	COP CA SUP 9/6 MTH S/TRANS MS S0408
0111210001	COP CA SUP 9/9 S-0408
0111210006	COP CA SUP 9/9 MH S0408
0111210007	COP CA SUP 9/9 MH MTH MSA S-0408

ATTENTION: IMPORTANT

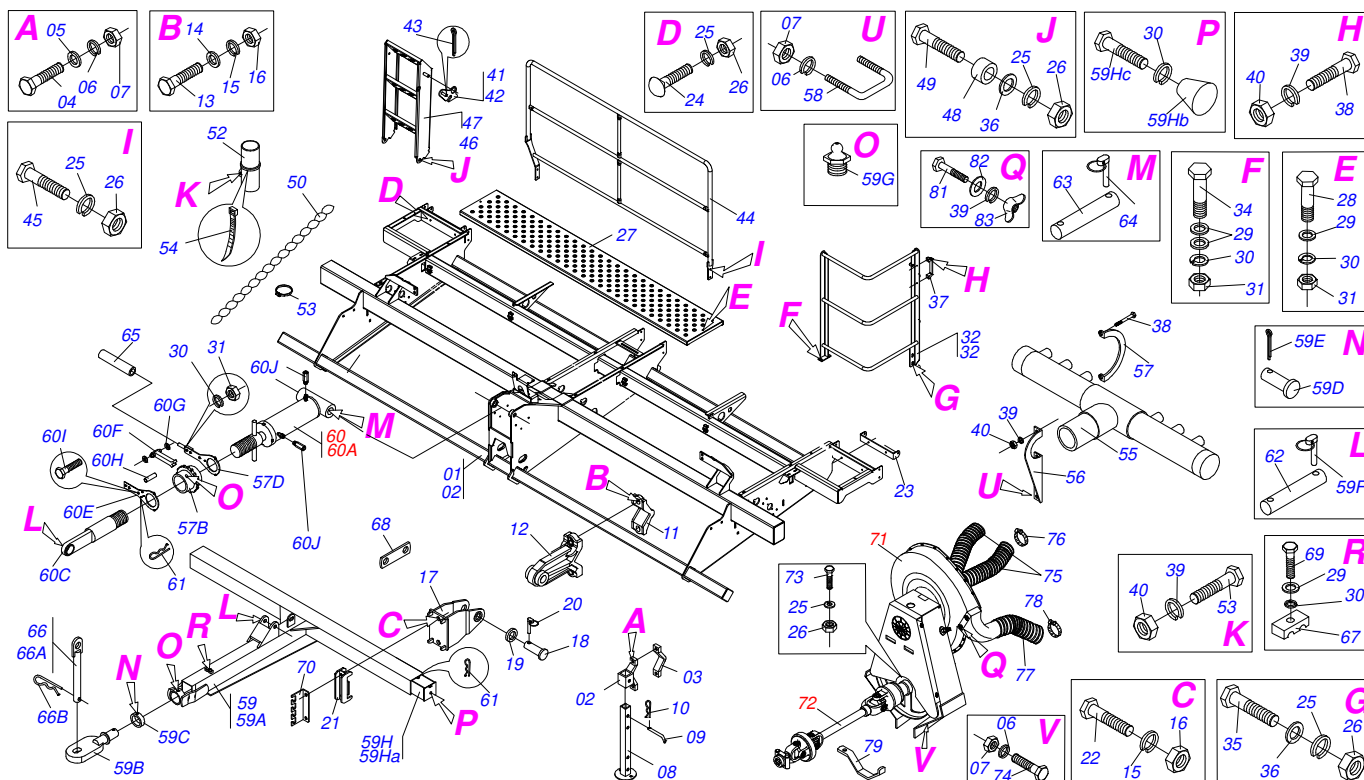
Marchesan S.A. reserves the right to improve and/or modify the technical features of its products, without obligation to do the same with those products already sold and without prior knowledge of the dealer or the consumer. The photos are only illustrative.



MARCHESAN

INDEX

0909094399	FRAME 7 E 9 ROW COP CA SUPREMA	1
0511041864	2 X 4.48 X 16.3 HYDRAULIC CYLINDER	2
0511041364	DRIVE SHAFT	3
0909093352	TURBINE ASSY FOR CARDAN	3
0909094350	WHEELS ASSY RIGHT/LEFT	4
0909094351	WHEEL AND TIRE ASSY	5
0511040424	RH TRANSMISSION DRIVING ASSY	6
0501049265	LH TRANSMISSION DRIVING ASSY	7
0909094354	GEAR BOX ASSY	8
0511043969	44,45 X 101,6 HYDRAULIC CYLINDER	9
0909094400	HYDRAULIC CIRCUITO	10
0909094401	SUPPORT FERTILIZER BOX 09	11
0909090510	BEAM ASSY 7 LINES	12
0909093275	TRANSMISSION	13
0909090508	FRONT SEED ROW	14
0511052717	STEEL CABLE SET SUBSOILER	15
0511052716	STEEL CABLE SET SUBSOILER	16
0511051328	STELL CABLE WHIT UNIVERSAL JOINT	17
0511050073	SEED ROW TRANSMISSION HUB	18
0909094404	REAR SEED ROW	19
0909093385	DEPTH CONTROL	20
0501052538	DEPTH BAND WITH ARMS	21
0501052908	COMPACTOR WHEEL WITH BEARING	22
0511048674	PNEUMATIC SEED DISTRIBUTOR	23
0909093298	15X15 SEED UNAL DOUB-DISC ASSY	24
0501052627	ASSY DEPTH WHEEL BOX	25
0909094405	FERTILIZER ROW SHORT	26
0909094402	SEED FERTILIZER LONG ROW	27
0511048339	24" BLADE DISC ASSY	28
0909094359	ROW MARKER HYDRAULIC CIRCUIT	29
0909094358	HIDRAULIC ROW MARKER	30
0501050633	ROW MARKER DISK ASSEMBLY	31
0511040203	1.5" X 2.5" X 19" X 9" HYDRAULIC CYLINDER	32
0501054649	HBM SEQUENTIAL VALVE	33



Item	Code	Description	See page	07 09 LINHAS
00	0511053033	SEMIFINISHED FRAME		01 00
00.	0511052099	SEMIFINISHED FRAME		00 01
01	0521062422	FRAME		01 00
01.	0521061323	FRAME		00 01
02	0502011530	SUPPORT		02 02
03	0502010175	HITCH CLAMP		02 02
04	0501011543	5/8" X 4" BOLT		04 04
05	0501012140	FLAT WASHER		04 04
06	0503010027	5/8" SPRING WASHER		28 28
07	0503010013	5/8" NUT		20 20
08	0501069951	PLOUGH SUPPORT		02 02
09	0501011075	PIN		02 02
10	0503030012	HAIR PIN		02 02
11	0502012330	SUPPORT FIXER PIVOT		04 04
12	0502012329	DRAWBAR FIXATION REAR SUPPORT		04 04
13	0503011084	3/4" X 5" BOLT		08 08
14	0501010322	FLAT WASHER		08 08
15	0503010023	3/4" SPRING WASHER		16 16
16	0503010014	3/4" NUT		16 16
17	0511065418	DRAWBAR SUPPORT FRONT FIXATION		04 04
18	0561014393	COUPLING SHAFT		04 04
19	0501012916	FLAT WASHER 38,50 X 66 X 4,75 ZN		08 08
20	0503030119	LOCK PIN		04 04
21	0511065419	DRAWBAR FIXER CLAMP		04 04
22	0521010066	3/4" X 8.12" BOLT		08 08
23	0561015343	ARTICULACCION SUPPORT		02 02
24	0503014734	BOLT		08 08
25	0503010019	1/2" SPRING WASHER		25 25
26	0503010060	1/2" NUT		25 25
27	0521061333	PLATFORM		02 02
28	0501011755	3/8" X 3" BOLT		04 04



COP CA SUPREMA - 07/09 LINES
FRAME 7 E 9 ROW COP CA SUPREMA

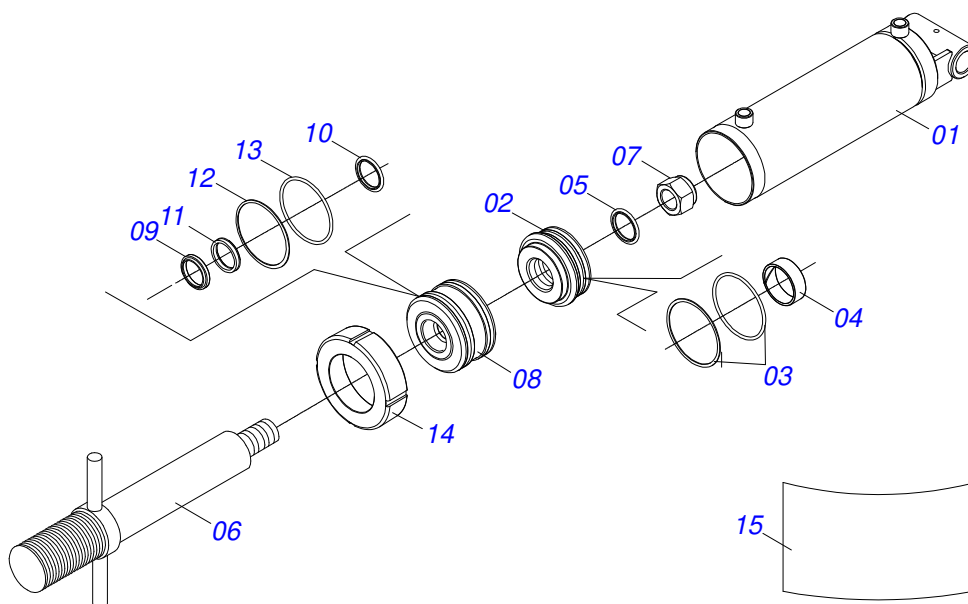
Item	Code	Description	See page	07	09	LINHAS
29	0501010984	FLAT WASHER		13	13	
30	0503010025	3/8" SPRING WASHER		16	16	
31	0503010026	3/8" NUT		13	13	
32	0521061335	RIGHT SIDE HANDRAIL		01	01	
33	0521061336	LH SIDE HANDRAIL		01	01	
34	0503011088	3/8" X 1-1/4" BOLT		04	04	
35	0501010161	1/2" X 1.1/4" BOLT		04	04	
36	0511017302	FLAT WASHER		12	12	
37	0503011957	NYLON LUG		02	02	
38	0503010371	5/16" X 1" BOLT		12	12	
39	0503010179	LOCK WASHER		16	16	
40	0503010337	5/16" NUT		14	14	
41	0511065678	STAIR RIGHT LOCK		01	01	
42	0511065679	STAIR RIGHT LOCK		01	01	
43	0503010257	1/8" X 1" COTTERPIN		02	02	
44	0521061334	HANDRAIL		02	02	
45	0503010920	1/2" X 1.1/2" BOLT		02	02	
46	0521061331	RIGHT LADDER		01	01	
47	0521061332	LEFT LADDER		01	01	
48	0531018627	0.5" X 1" X 0.2" SLEEVE		04	04	
49	0503010740	BOLT 1/2 UNC X 2 CS G.5 ZN		04	04	
50	0511010369	3/8" X 74.80" LEVER ROPE		02	02	
51	0503010296	CLAMP		04	04	
52	0503060100	OPERATOR'S MANUAL STORAGE TUBE		01	01	
53	0503010358	5/16" X 5/8" BOLT		01	01	
54	0503010267	NYLON CLAMP		01	01	
55	0503031609	AIR DISTRIBUTOR		02	02	
56	0521018403	SUPPORT AIR CONDUCTION		04	04	
57	0521018402	AIR CONDUCTOR CLAMP		04	04	
58	0521010718	5/8" U BOLT		04	04	
59	0511043100	DRAWBAR ASSY		01	01	
59A	0511065905	DRAWBAR COP-CE		01	01	
59B	0501069632	TRACTOR HITCH		01	01	
59C	0521010681	BUSHING COUPLING BODY		01	01	
59D	0521010639	COUPLING SHAFT		01	01	
59E	0503010571	1/4" X 1.1/2 COTTERPIN		01	01	
59F	0503030085	LOCK PIN		01	01	
59G	0503010002	1800 GREASE FITTING		03	03	
59H	0511043137	TOOLS BOX ASSY		02	02	
59Ha	0511065471	BOX OF TOOLS		02	02	
59Hb	0503010293	BAQUELITE MANIPULACION		02	02	
59Hc	0503011334	BOLT 3/8 UNC X 3/4 CS G.5 ZN		02	02	
60	0501055579	DRAWBAR ESTABILIZER		01	01	
60A	0511041864	2 X 4.48 X 16.3 HYDRAULIC CYLINDER	2	01	01	
60B	0502011237	ESTABILIZER BODY		01	01	
60C	0511065467	LH SCREW ARBOR		01	01	
60D	0511061880	SIDE RIGHT RATCHET		01	01	
60E	0531010264	SIDE RATCHET		01	01	
60F	0511061881	RATCHET FOLLOWER		01	01	
60G	0521018517	FLAT WASHER		02	02	
60H	0521018920	0.4" X 0.5" X 0.2" SLEEVE		03	03	
60I	0503011179	3/8" X 2-1/4" BOLT		05	05	
60J	0501053835	FEMALE QUICK COUPLER		02	02	
61	0503030012	HAIR PIN		03	03	
62	0521018531	1.4" X 4.5" COUPLING SHAFT		01	01	
63	0521018532	1.4" X 12" COUPLING SHAFT		01	01	
64	0503030119	LOCK PIN		08	08	
65	0521018501	TURNBUCKLE LEVER		01	01	
66	0501047881	AXIS JOINT ASSY		01	01	



COP CA SUPREMA - 07/09 LINES
FRAME 7 E 9 ROW COP CA SUPREMA

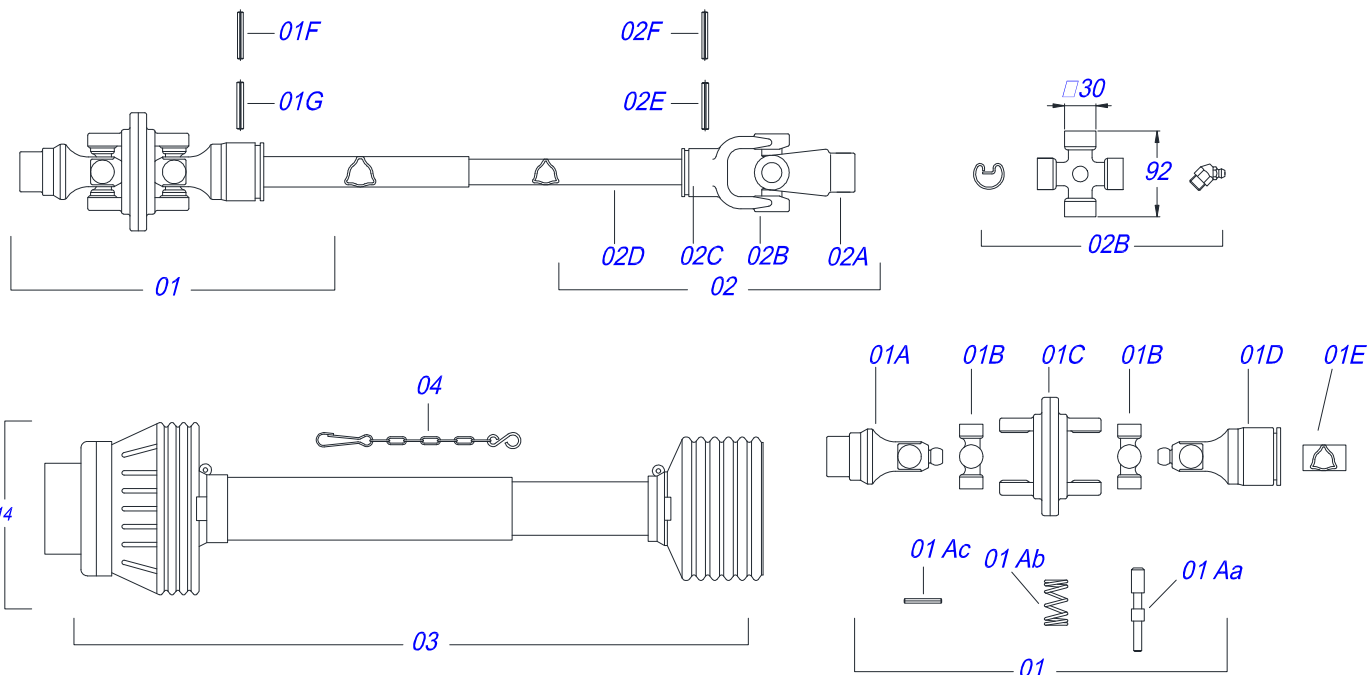
Page 1
0909094399

Item	Code	Description	See page	07 09 LINHAS
66A	0501068989	COUPLING SHAFT		01 01
66B	0503031035	HAIR PIN		01 01
67	0502010477	HOSE CLAMP		01 01
68	0561019087	DRAWBAR TRANSPORT LOCK		01 01
69	0503010849	3/8" X 1-1/2" BOLT		01 01
70	0541014576	HOSE FIXER ASSY		01 01
71	0511044704	TURBINE ASSY FOR CARDAN		01 01
72	0511041364	DRIVE SHAFT	3	01 01
73	0503010479	BOLT		01 01
74	0503010967	SCREW 5/8 UNC X 5.1/2 CS G.5 ZN		02 02
75	0531013193	ARM BODY RIGHT WHEEL COBRID FERTILIZER		02 02
76	0503011372	102 TO 121 CLAMP		04 04
77	0521019552	5" X 188" AIR CONDUCTOR		01 01
78	0503012724	121 TO 140 CLAMP		01 01
79	0531015603	HOSE FIXATION SUPPORT		01 01
80	0501056495	TURBINE OUTPUT SOCKET		01 01
81	0503013096	5/16" X 4" BOLT		02 02
82	0501010694	FLAT WASHER		04 04
83	0503010499	5/16" UNC BUTTERFLY NUT		02 02
84	0503031436	AIR DITRIBUTOR PUMP		05 05

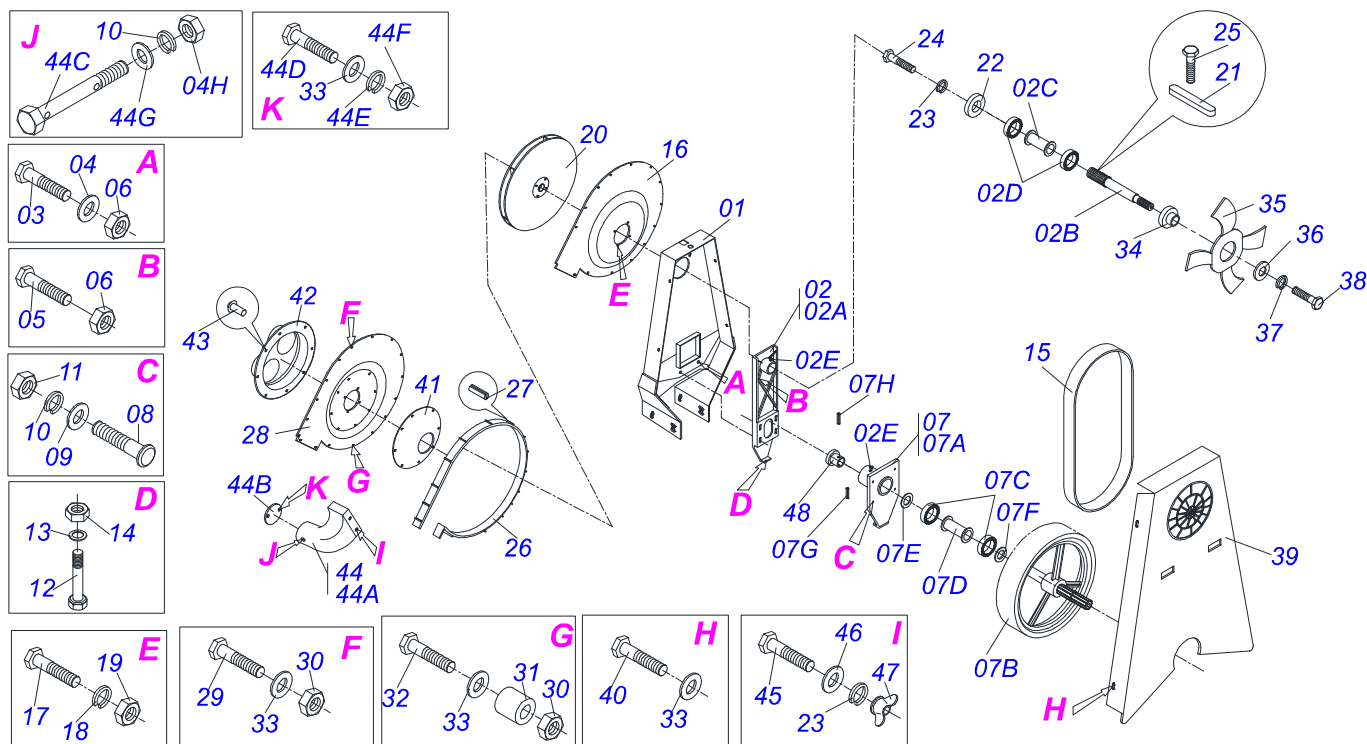


Item	Code	Description	See page	07
01	0511064908	4.5" X 25.4" CYLINDER CASE	01	
02	0502011221	2.0" X 4.5" PISTON	01	
03	0503011890	3750-3750 GASKET	02	
04	0503011891	W2-4500-500 RING G.E	01	
05	0503010345	2-218 N 3006-9B O'RING	01	
06	0511064909	2" X 14.4" TURNBUCLE	01	
07	0503010817	1.1/4" SELF LOCKING NUT	01	
08	0502011220	2" X 4.5" RING SUPPORT	01	
09	0503010952	W2-2250-500 RING	01	
10	0503010991	1870-2000-375-B GASKET	01	
11	0503010039	D-2000 SCRAPER RING	01	
12	0503011892	O' RING, 2-346 N 3006-9B	01	
13	0503011893	BACK-UP RING, 8-346	01	
14	0502011222	0.56" END CAP	01	
15	0501032513	HYDRAULIC CYLINDER REPAIR KIT	01	

DRIVE SHAFT



Item	Code	Description	See page	QT
01	0501055638	HOMO JOINT WITH FEMALE BUSHING		01
01A	0503012607	TRACTOR HOMOCINETIC TERMINAL		01
01Aa	0521010638	0.5" X 3.3" QUIC HITCH COUPL SHAFT		01
01Ab	0503030518	0.5"X1.0"X 0.1" COMPRESSION SPRING		01
01Ac	0503010140	1/8" X 3/4" COTTERPIN		01
01B	0503012605	CROSSPIECE		02
01C	0503012606	CENTER BODY		01
01D	0503012604	HOMO TERMINAL W/ FEMALE BUSHING		01
01E	0503012618	2.1" X 2.0" X 31" TRIAN FEMALE TUB		01
01F	0503010843	0.4" X 3.3" SPRING PIN		01
01G	0503011878	0.2" X 3.3" SPRING PIN		01
02	0501055639	UNIVERSAL JOINT		01
02A	0503013132	CC292 TERMINAL		01
02B	0503012096	CROSSPIECE		01
02C	0503013187	TERMINAL		01
02D	0503012619	1.8" X 1.7" X 31" TRIAN MALE TUB		01
02E	0503011069	0.4" X 2.8" SPRING PIN		01
02F	0503011805	0.2" X 2.8" SPRING PIN		01
03	0503013189	PROTECTION ASSY		01
04	0503012023	CHAIN FOR PROTECTION		01



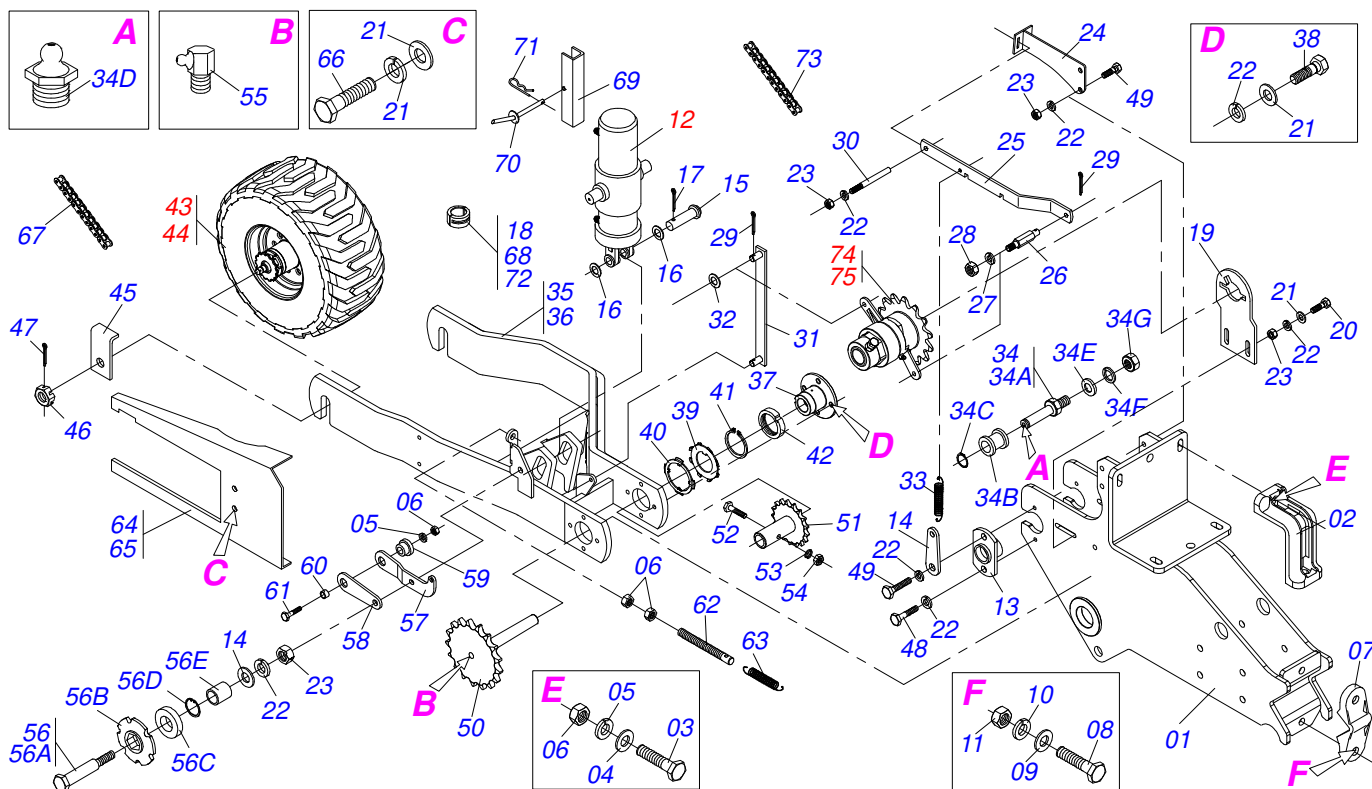
Item	Code	Description	See page	QT
01	0511061094	TURBINE SUPPORT		01
02	0501053716	BEARING ASSY OF THE LARGER FAN		01
02A	0502012016	CHAIN TENSIONER SUPPOT		01
02B	0503012778	MIDDLE LARGER AXLE		01
02C	0531010881	INTERMEDIARY UPPER SLEEVE		01
02D	0503012689	6306 DDU BEARING		02
02E	0503010325	VCA-118 VALVE		03
03	0503010920	1/2" X 1.1/2" BOLT		02
04	0511017302	FLAT WASHER		02
05	0503010395	1/2" X 1-1/4" BOLT		02
06	0503011336	1/2" HEX SELF ADJUSTING NUT		04
07	0501053886	PULLEY ASSY WITH FREE ROT		01
07A	0502012020	PULLEY HOUSING BEARING		01
07B	0501053888	TURBINE PULLEY ASSY		01
07C	0503011081	6207 2RS BEARING		02
07D	0531014518	INTERMEDIARY LOWER BUSHING BEARING		01
07E	0531014519	FLAT WASHER		01
07F	0531014527	FLAT WASHER		01
07G	0503010301	0.3" X 1.8" SPRING PIN		01
07H	0503011855	0.2" X 1.8" SPRING PIN		01
08	0501011194	1/2" X 1-3/4" BOLT		04
09	0521018517	FLAT WASHER		04
10	0503010019	1/2" SPRING WASHER		05
11	0503010020	1/2"NUT		04
12	0503013030	5/8" X 3.1/4" BOLT		01
13	0501012140	FLAT WASHER		01
14	0503010013	5/8" NUT		01
15	0503012780	LARGER TURBINE BELT		01
16	0531017194	FRONT COVER		01
17	0503010751	C3/8" X 1.1/4" HEX BOLT G.5		04
18	0503010025	3/8" SPRING WASHER		04



TURBINE ASSY FOR CARDAN

0909093352

Item	Code	Description	See page	QT
19	0503010026	3/8" NUT		04
20	0511040440	17.3" MIDDLE FAN		01
21	0503011775	6 X 6 X 35 KEYWAY		01
22	0503011774	PULLEY		01
23	0503010179	LOCK WASHER		03
24	0503011257	M 8 X 1,25 X 30 BOLT		01
25	0503011807	SCREW M8 X 1,25X10		01
26	0501054272	RIBBON FOR COVER CLOSING ASSY		01
27	0503031776	TURBINE RIBBON SEAL		02
28	0531017195	REAR COVER		01
29	0503013031	1/4" X 3.1/4" BOLT		15
30	0503012880	1/4" UNC SELF ADJUSTING NUT		17
31	0511014024	10 X 13 X 15,5 SLEEVE		02
32	0503012721	1/4" X 4" BOLT		02
33	0511017303	FLAT WASHER		40
34	0531010771	WASHER GUIDE		01
35	0531010757	TURBINE FAN		01
36	0531010770	FLAT WASHER		01
37	0503010179	LOCK WASHER		01
38	0503011429	M 8 X 1,25 X 40 BOLT		01
39	0531012760	TURBINE REAR COVER		01
40	0503013758	1/4" X 1-1/2" BOLT		04
41	0521018267	LARGER TURBINE FRONTAL COVER CENTER		01
42	0503031649	CONECTOR CENTER		01
43	0503012722	0.16" X 0.4" BLIND RIVET		16
44	0501056495	TURBINE OUTPUT SOCKET		01
44A	0503031812	TURBINE OUTPUT SOCKET		01
44B	0541017539	BUTTERFLY VALVE		01
44C	0511066760	VALVE FIXATION SUPPORT		01
44D	0503013813	1/4" UNC X 7/8" BOLT		02
44E	0503010143	1/4" SPRING WASHER		02
44F	0503010144	1/4" NUT		02
44G	0501013519	FLAT WASHER		01
44H	0503010060	1/2" NUT		01
45	0503013096	5/16" X 4" BOLT		02
46	0501010694	FLAT WASHER		04
47	0503010499	5/16" UNC BUTTERFLY NUT		02
48	0531015571	CARDAN SLEEVE HITCH		01
49	0561010635	SWITCH FIXER		01
50	0503013584	VACUUM GAUGE		01



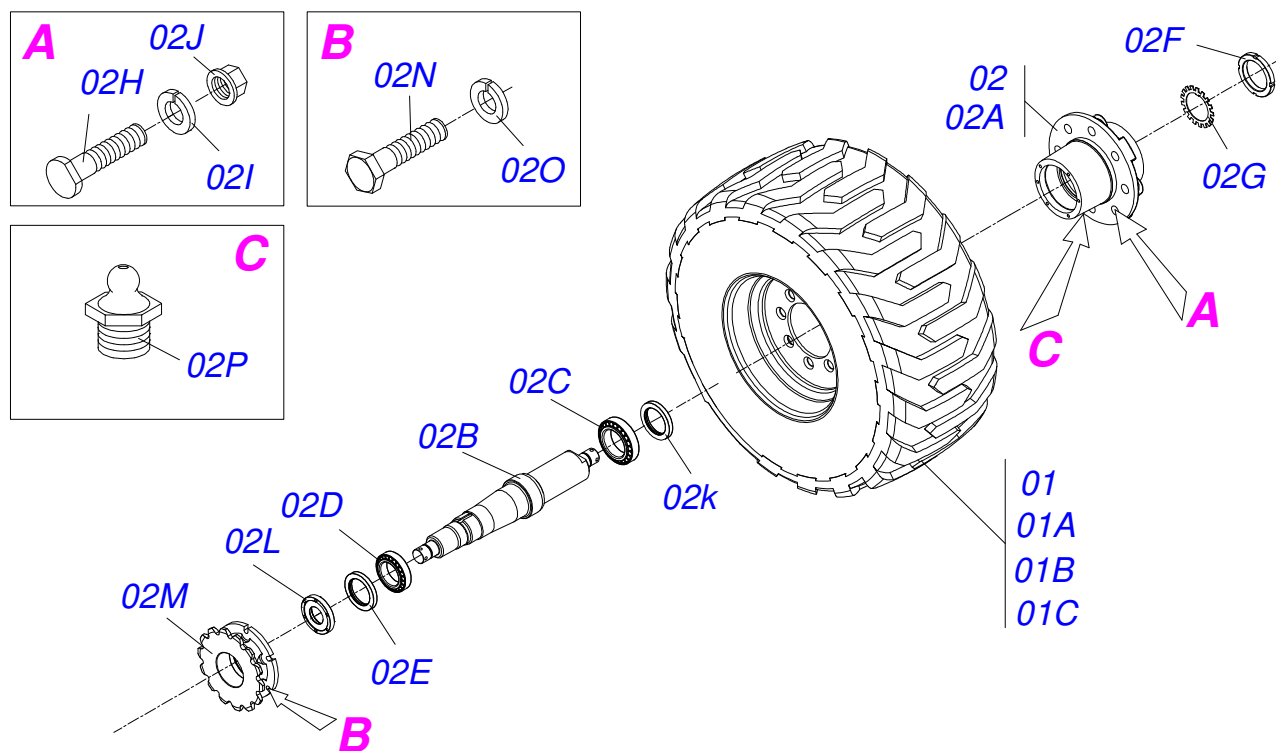
Item	Code	Description	See page	07 09 LINHAS
00	0501059662	CONJUNTO RODADO DIREITO SEMI MONTADO		01 00
00A	0501059663	SET WHEELED LEFT SEMI MOUNTED		00 01
01	0511065423	WHEEL SUPPORT		01 01
02	0502012400	ROW FERTILIZER FIXER		02 02
03	0501010452	5/8" X 5" BOLT		04 04
04	0501012140	FLAT WASHER		04 04
05	0503010027	5/8" SPRING WASHER		05 05
06	0503010013	5/8" NUT		07 07
07	0502011308	WHELL FASTENER		01 01
08	0503013185	3/4" X 5-1/2" BOLT		02 02
09	0501010322	FLAT WASHER		02 02
10	0503010023	3/4" SPRING WASHER		02 02
11	0503010014	3/4" NUT		02 02
12	0511043969	44,45 X 101,6 HYDRAULIC CYLINDER	9	01 01
13	0511066351	FLANGE CYLINDER HYDRAULIC FIXER		02 02
14	0541014046	SPRING HITCH		01 01
15	0521010546	1.2" X 5.7" COUPLING SHAFT		01 01
16	0501017779	32 X 60 X 4.75 FLAT WASHER		02 02
17	0503010523	1/4" X 2" COTTERPIN		01 01
18	0501047887	ROD STOP		01 01
19	0531019365	PLATE FIXER BEARING AXIS		01 01
20	0503010920	1/2" X 1.1/2" BOLT		02 02
21	0511017302	FLAT WASHER		07 07
22	0503010019	1/2" SPRING WASHER		25 25
23	0503010060	1/2" NUT		11 11
24	0511061896	RATCHET DISMANTLE SUPPORT		01 01
25	0521018428	ASSEMBLE AND DISASSEMBLE ARM		01 01
26	0521015800	REAR LEVER FASTENER		01 01
27	0503010025	3/8" SPRING WASHER		01 01
28	0503010026	3/8" NUT		01 01
29	0503010140	1/8" X 3/4" COTTERPIN		04 04



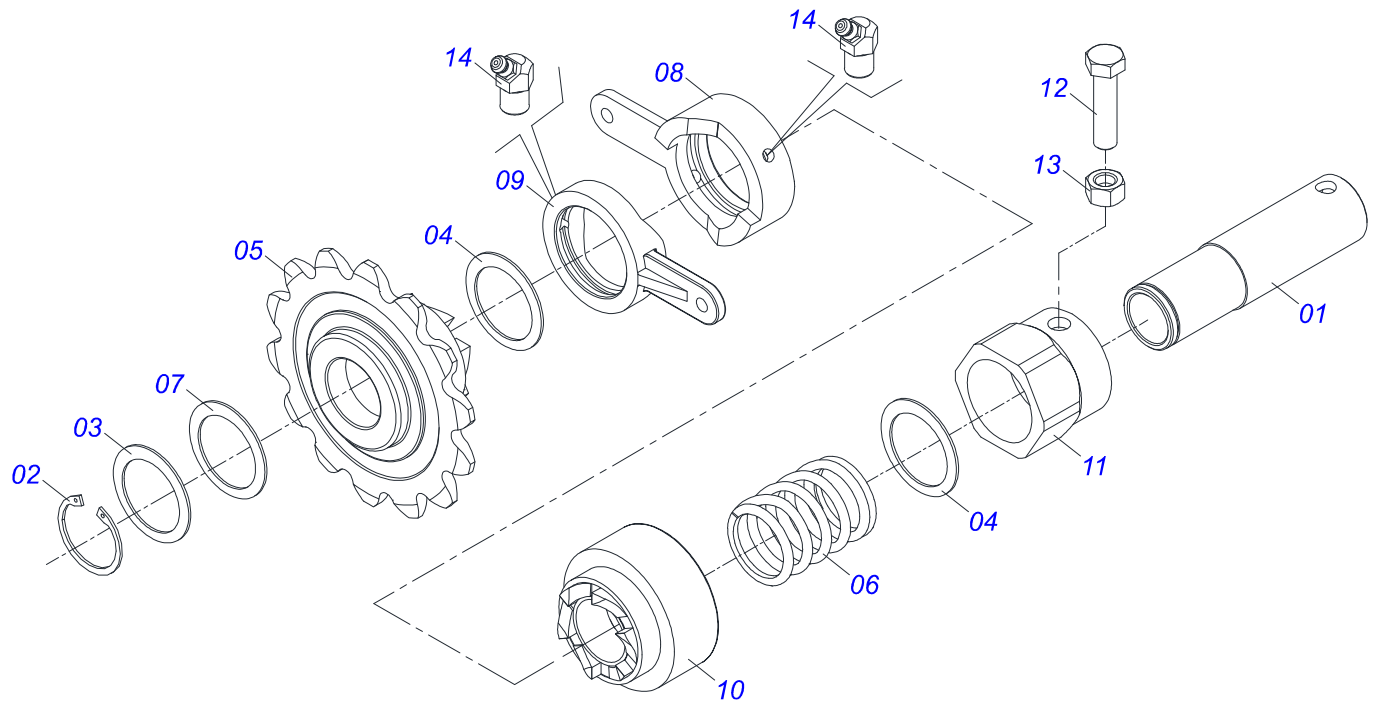
WHEELS ASSY RIGHT/LEFT

0909094350

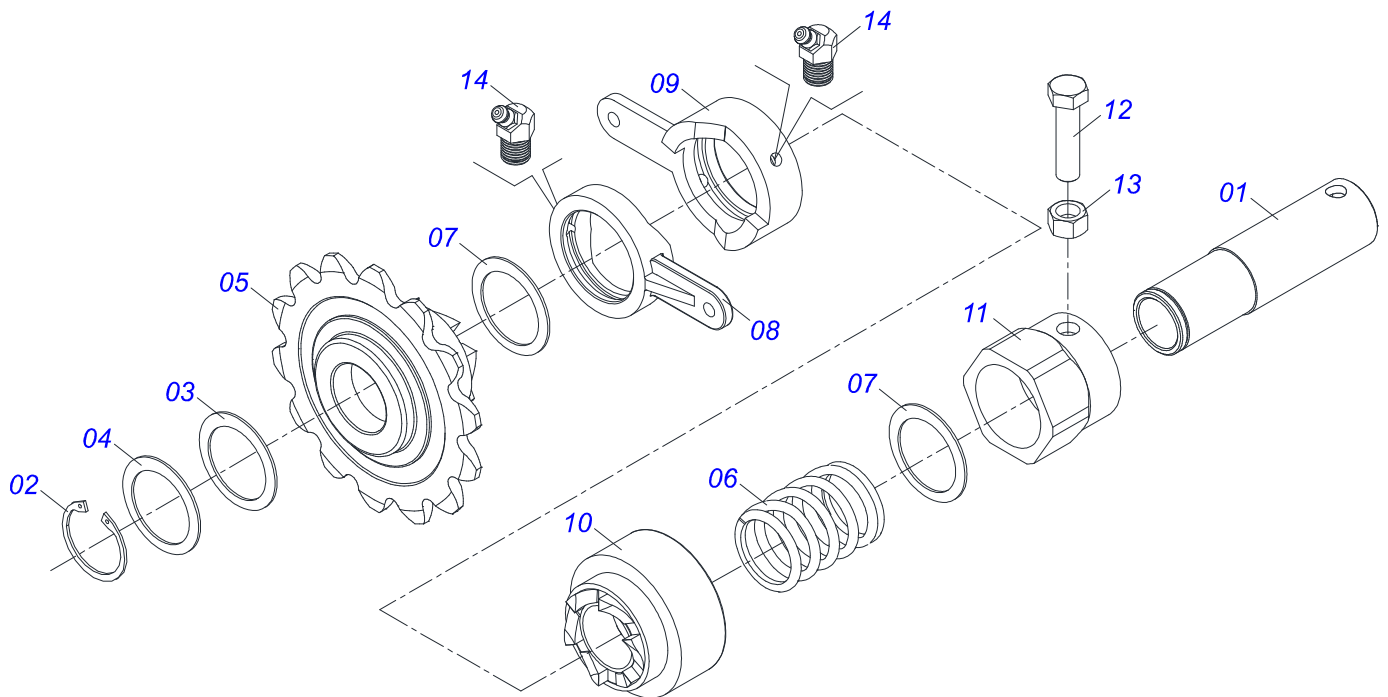
Item	Code	Description	See page	07	09	LINHAS
30	0521018560	HANDLE LEVER		01	01	
31	0511065949	ASSEMBLE AND DISASSEMBLE ARM		01	01	
32	0501010984	FLAT WASHER		02	02	
33	0503030242	0.8" X 4.7" X 0.08" TRACTION SPRING		01	01	
34	0501048672	CHAIN TENSIONER ASSY		01	01	
34A	0531017202	AXLE CHAIN TIGHTENER		01	01	
34B	0503030402	PULLEY		01	01	
34C	0503010302	501019 SEAL RING		01	01	
34D	0503010002	1800 GREASE FITTING		02	02	
34E	0511017302	FLAT WASHER		01	01	
34F	0503010019	1/2" SPRING WASHER		01	01	
34G	0503010060	1/2" NUT		01	01	
35	0521061337	RIGHT WHEEL FORK		01	00	
36	0521061338	LEFT WHEEL FORK		00	01	
37	0501110625	BEARING ARTICULATION WHEEL		02	02	
38	0503013232	1/2' BOLT		08	08	
39	0561013021	BEARING INNER LOK		02	02	
40	0561013022	BEARING EXTERNAL LOCK		02	02	
41	0503010398	501082 CLAMPING RING (FOR AXLE)		02	02	
42	0561013020	KM 12 NUT		02	02	
43	0501059655	HUB CARRYING-WHEELS		01	01	
44	0503060602	400/60 X 15,5-14L RODA		01	01	
45	0521012190	AXLE LOCK		02	02	
46	0503011052	1.1/4" X 0.77" CASTLE NUT		02	02	
47	0503010067	3/16" X 2.1/2" COTTER PIN		02	02	
48	0503010834	1/2 X 1 BOLT		03	03	
49	0503010395	1/2" X 1-1/4" BOLT		01	01	
50	0511064769	15Z GEAR WITH AXLE		01	01	
51	0511061809	15Z GEAR WITH COUPLING		01	01	
52	0503011103	7/16" X 2-1/2" BOLT		01	01	
53	0503010180	7/16" SPRING WASHER		01	01	
54	0503010244	7/16" NUT		01	01	
55	0503010004	1890 GREASE FITTING		02	02	
56	0501053522	WHEEL CHAIN TENSIONER		01	01	
56A	0531012640	AXLE CHAIN TIGHTENER		01	01	
56B	0502012018	CHAIN TIGHTENER BEARING		01	01	
56C	0503012882	BEARING		01	01	
56D	0503011945	503050 CLAMPING RING (FOR AXLE)		01	01	
56E	0531012678	4.5" X 0.9" X 0.2" SLEEVE		01	01	
57	0531018654	CHAIN TIGHTENER SUPPORT		01	01	
58	0531018653	CHAIN TIGHTENER MINOR SUPPORT		01	01	
59	0531016916	SLEEVE BEARING SUPPORT		02	02	
60	0511014513	1" X 0.6" X 0.4" ARTUCULAT SLEEVE		01	01	
61	0503010899	5/8" X 2-1/4" BOLT		01	01	
62	0501013491	5/8" TENSIONER SPRING		01	01	
63	0503031103	0.9" X 4.1" X 0.1" TRACTION SPRING		01	01	
64	0531016051	CARRY-WHEEL CHAIN PROTECTION CAP		01	00	
65	0541012543	LEFT CARRY-WHEEL CHAIN PROTECTION		00	01	
66	0501013772	1/2" X 3-1/4" BOLT		02	02	
67	0503012708	2050 CHAIN X 34 LINKS + REDUCTION		01	01	
68	0501047886	ROD STOP		02	02	
69	0521013022	TRANSPORT LOCK		02	02	
70	0501068994	0.3" X 3.1" LOCK PIN		02	02	
71	0503030168	CUPILLA		02	02	
72	0501047885	ROD STOP		02	02	
73	0503012570	CHAIN 2050 X 2.8" LINK + MENDING		01	01	
74	0511040424	RH TRANSMISSION DRIVING ASSY	6	01	01	
75	0501049265	LH TRANSMISSION DRIVING ASSY	7	01	01	



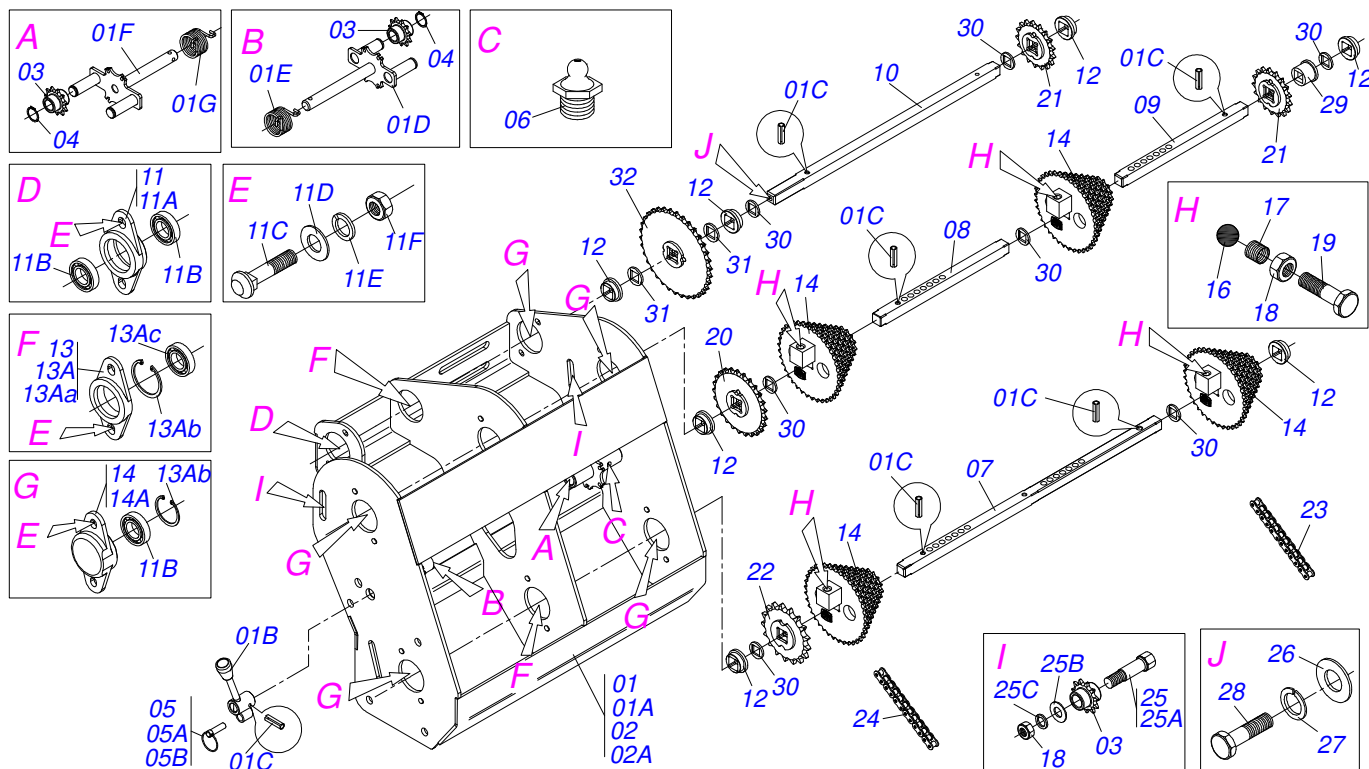
Item	Code	Description	See page	07 APARTIR 02/2013- 09LINHAS
01	0503060602	400/60 X 15,5-14L RODA		01
01A	0511064578	CENTER 13 X 15.5 WHEEL		01
01B	0503012112	400/60 - 15.5 TR 15 INNER TIRE		01
01C	0503013119	CANVAS TIRE		01
02	0501059655	HUB CARRYING-WHEELS		01
02A	0502040522	HUB CARRYING-WHEELS		01
02B	0561015609	WHEEL AXLE		01
02C	0503010059	33287/33462 ROLLER BEARING		01
02D	0503010007	3982/3920 ROLLER BEARING		01
02E	0503010050	SEAL 00085-B		01
02F	0503012702	KM-12 NUT		02
02G	0503012703	LOCK WASHER		01
02H	0503011339	M22 X 1,5 X 72 BOLT		08
02I	0503011340	SPHERICAL SPRING WASHER		08
02J	0503011341	M22 X 0.6" NUT GR8 NUT		08
02K	0503010528	SEAL # 00838-B		01
02L	0551017794	PROTRACTOR GEAR		01
02M	0502012177	14Z FLANG GEAR		01
02N	0503011766	5/16" X 2-1/2" BOLT		06
02O	0503010179	LOCK WASHER		06
02P	0503010002	1800 GREASE FITTING		01



Item	Code	Description	See page	QT
01	0521017590	GUIDE AXLE		01
02	0503010542	501045 CLAMPING RING (FOR AXLE)		01
03	0521017593	FLAT WASHER		01
04	0501019734	FLAT WASHER		02
05	0502011329	14Z GEAR WITH RIGHT DRAGGER		01
06	0503030553	2.3"X 2.5"X 0.2"COMPRESSION SPRING		01
07	0501019735	FLAT WASHER		02
08	0502010710	RIGHT CAM, SMALLER		01
09	0502010711	RIGHT CAM,LARGER		01
10	0502012009	DRIVING AXLE RIGHT FOLLOWER		01
11	0502011996	SLEEVE FIXER		01
12	0503030678	BOLT 1/2 UNC X 1.1/2 CSPC G.5 ZN		01
13	0503010060	1/2" NUT		01
14	0503010003	1845 GREASE FITTING		02



Item	Code	Description	See page	QT
01	0521017590	GUIDE AXLE		01
02	0503010542	501045 CLAMPING RING (FOR AXLE)		01
03	0521017593	FLAT WASHER		01
04	0501019735	FLAT WASHER		01
05	0502011331	LH 14Z P 1.25" GEAR WITH DRAGGER		01
06	0503030553	2.3"X 2.5"X 0.2"COMPRESSION SPRING		01
07	0501019734	FLAT WASHER		02
08	0502010720	RIGHT CAM, SMALLER		01
09	0502010721	LEFT CAM,LARGER		01
10	0502011995	LH DRIVING AXLE FOLLOWER		01
11	0502011996	SLEEVE FIXER		01
12	0503010395	1/2" X 1-1/4" BOLT		01
13	0503010060	1/2" NUT		01
14	0503010003	1845 GREASE FITTING		02



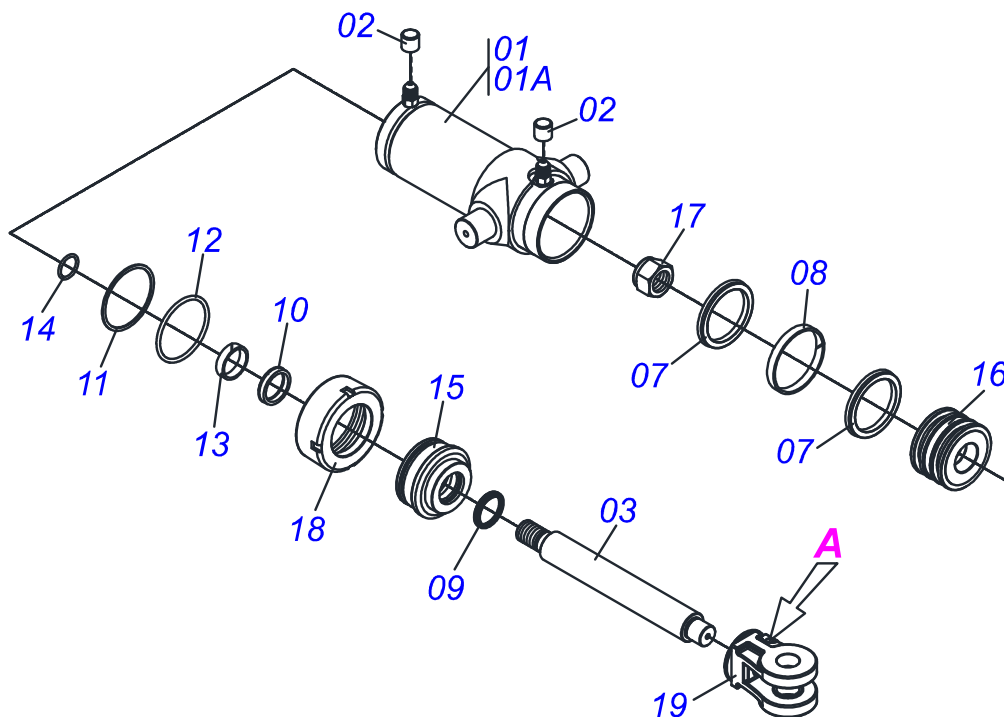
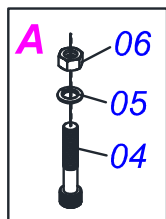
Item	Code	Description	See page	07 09 LINHAS
00	0511048348	RIGHT GEAR BOX ASSY	01	01
00A	0511048349	RIGHT GEAR BOX ASSY	01	01
01	0501058212	SEMI MOUNTED RIGHT CHANGE	01	01
01A	0511069565	LEFT GEAR BOX	01	01
01B	0502011758	REAR TENSIONER LEVER	04	04
01C	0503010292	0.2" X 1.6" SPRING PIN	14	14
01D	0511061794	CHAIN TENSIONER	02	02
01E	0503031367	SPRING	02	02
01F	0511060392	CHAIN TENSIONER	02	02
01G	0503031366	RIGHT TWISTED SPRING RECAMBIO	02	02
02	0501058213	LH GEAR BOX	01	01
02A	0511069566	LEFT GEAR BOX	01	01
03	0503031805	11Z 1/2" GEAR	12	12
04	0503010302	501019 SEAL RING	08	08
05	0501048790	AXLE WITH RING	04	04
05A	0521012476	GEAR BOX LEVER AXLE	04	04
05B	0503031369	LINK	04	04
06	0503010002	1800 GREASE FITTING	04	04
07	0551018209	DRIVING AXLE	02	02
08	0521018259	DRIVEN AXLE	02	02
09	0551018210	DRIVEN AXLE	02	02
10	0551018211	INTERM SHAFT	02	02
11	0501056447	CENTRAL DOUBLE GEAR HOUSING BEARING	02	02
11A	0502011978	HOUSING CENTRAL BEARING	02	02
11B	0503013462	BEARING WITH BALL BEARING	04	04
11C	0503011953	5/16" X 1" BOLT	32	32
11D	0501010694	FLAT WASHER	32	32
11E	0503010179	LOCK WASHER	32	32
11F	0503010337	5/16" NUT	32	32
12	0503030303	SUPPORT WASHER	14	14
13	0501056443	GEAR HOUSING BEARING	04	04



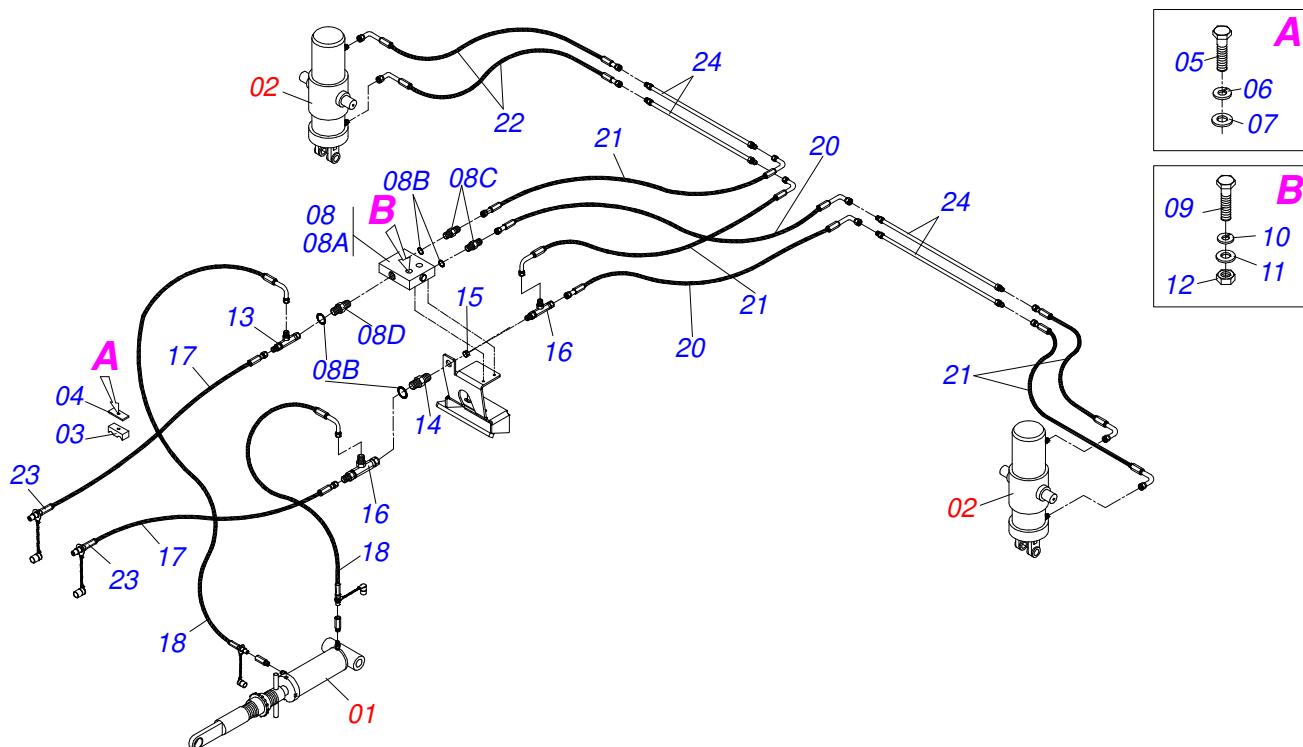
GEAR BOX ASSY

0909094354

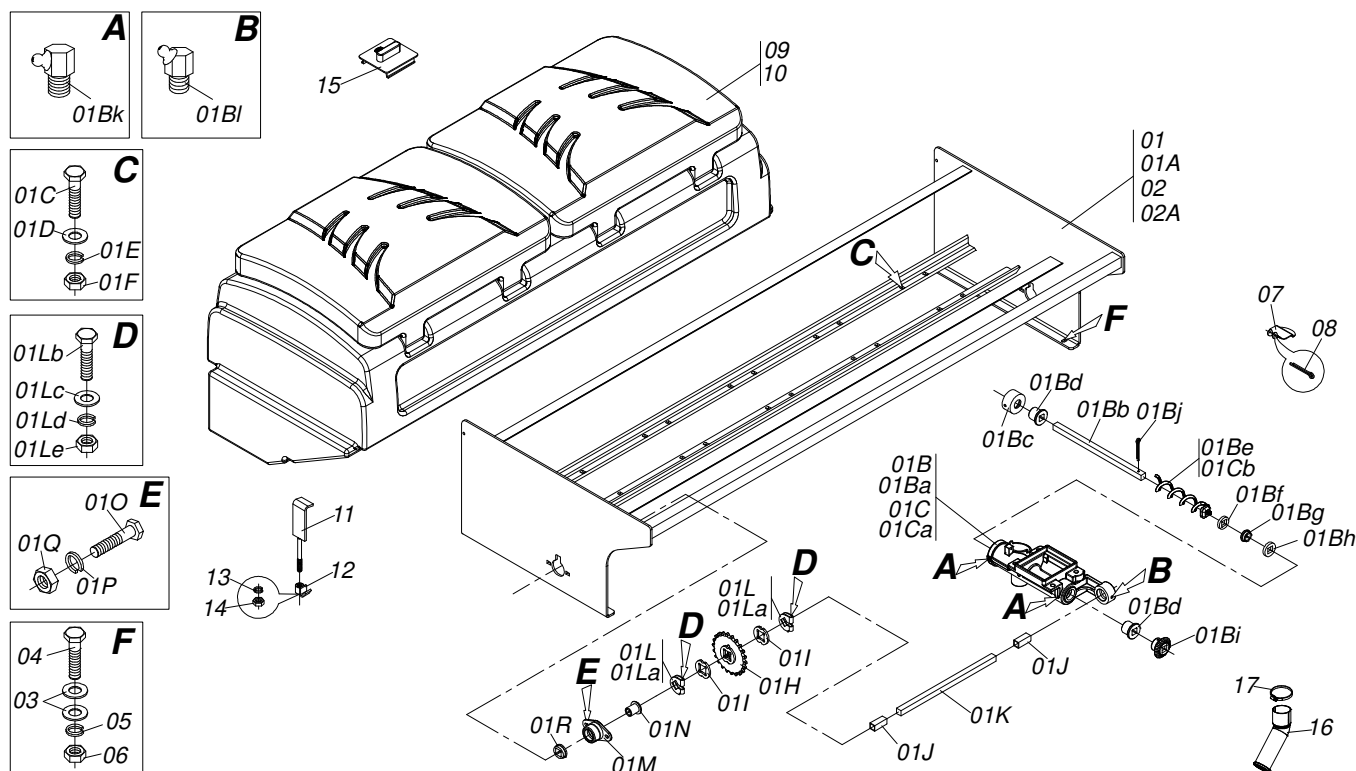
Item	Code	Description	See page	07 09 LINHAS
13A	0501056444	BEARING WITH ROLLING		04 04
13Aa	0502011697	BEARING OF THE GEAR BOX		04 04
13Ab	0503011105	SEAL RING		04 04
13Ac	0503013462	BEARING WITH BALL BEARING		04 04
14	0501056271	GEARBOX CLOSED BEARING		10 10
14A	0502012310	GEAR BOX CLOSE BEARING		10 10
15	0511060396	DRIVE/DRIVEN AXLE CONE		08 08
16	0503012389	1/2 BALL		08 08
17	0503031512	0.4" X 0.1" X 2" X 0.6" SPRING		08 08
18	0503010060	1/2" NUT		12 12
19	0503010395	1/2" X 1-1/4" BOLT		08 08
20	0511061822	25Z P0.5" GEAR SQUARE HOL		02 02
21	0511061830	17Z P 0.5" GEAR SQUARE HOL		04 04
22	0501069874	GEAR 17Z P 15,87 FQ 3/4		02 02
23	0503012204	40-1 CHAIN X 82 LINK + RED		04 04
24	0503012713	40-1 CHAIN X 45 LINK + MEN		02 02
25	0501054655	CHAIN TENSIONER ASSY		04 04
25A	0531019398	AXLE TENSIONER CHAIN GEAR BOX		04 04
25B	0511017302	FLAT WASHER		04 04
25C	0503010019	1/2" SPRING WASHER		04 04
26	0501010984	FLAT WASHER		02 02
27	0503010025	3/8" SPRING WASHER		02 02
28	0503010256	3/8" X 3/4" BOLT		02 02
29	0503030275	AGRICULTURAL BEARING		02 02
30	0521018630	1.4" X SQUARE 0.8" WASHER		14 14
31	0501010637	FLAT WASHER		04 04
32	0511063105	34Z P 1/2" GEAR SQUARE HOLE 3/4"		02 02



Item	Code	Description	See page
01	0511043969	44,45 X 101,6 HYDRAULIC CYLINDER	9 01
01A	0511066774	2.5" X 28" CYLINDER CASE	02
02	0503030385	CYLINDER PLUG N-002	02
03	0541017674	TURNBUCLE BODY	01
04	0503011094	3/8" X 2" BOLT	01
05	0503010025	3/8" SPRING WASHER	01
06	0503010026	3/8" NUT	01
07	0503010043	PACKING 3750-3250	02
08	0503010994	W2-4000-500 PK RING G.E	01
09	0503010761	D-1750 SCRAPER RING	01
10	0503010990	GASKET	01
11	0503011061	8-342 BACK-UP RING	01
12	0503010338	2-342 N 3006-9B O'RING	01
13	0503010949	W2-2000-500 PK RING G.E	01
14	0503010345	2-218 N 3006-9B O'RING	01
15	0502010841	RING OF SUPPORT	01
16	0502010793	1.7" X 4" PISTON	01
17	0503010817	1.1/4" SELF LOCKING NUT	01
18	0502010017	4" HEAD	01
19	0511064408	FORK	01



Item	Code	Description	See page	QT 07/09 LINHAS
00	0909094400	HYDRAULIC CIRCUITO	10	01
01	0511041864	2 X 4.48 X 16.3 HYDRAULIC CYLINDER	2	01
02	0511043969	44,45 X 101,6 HYDRAULIC CYLINDER	9	02
03	0502010477	HOSE CLAMP		06
04	0531011180	UPPER BODY CLIP		04
05	0503010765	3/8" X 3" BOLT		06
06	0501010984	FLAT WASHER		06
07	0503010025	3/8" SPRING WASHER		06
08	0501054452	FLOW DIVIDING VALVE		01
08A	0503012481	FLOW DIVIDING VALVE		01
08B	0503010190	2-114 N 3006-9B O'RING		03
08C	0501010617	3/4" NIPPLE		02
08D	0501011460	7/8 NF REDUCTION NIPPLE		01
09	0503010373	SCREW 1/4 UNC X 2 CS G.2 ZN		02
10	0501010694	FLAT WASHER		04
11	0503010143	1/4" SPRING WASHER		02
12	0503010144	1/4" NUT		02
13	0503011968	3/4" 8R6X-S T ADAPTER WITH SWIVEL NUT		01
14	0541012166	NIPPLE 3/4" UNF X 7/8"		01
15	0511018387	3/4" X 0,3 ADJUSTMENT VALVE NUT		01
16	0503012341	T 7/8" ADAPOR GIRAT NUT		02
17	0501080933	HOSE 1/2 X 4200 TR-TM		02
18	0501080116	TR-TM HOSE ASSY		01
19	0501080182	1/2" X 850 TR-TM HOSE ASSY		01
20	0501080396	3/8" X 45" HOSE		02
21	0501080687	3/8 X 1150 TC-TC HOSE ASSY		02
22	0501080054	3/8" X 17" TR-TC HOSE ASSY		04
23	0501053834	MALE QUICK COUPLER		04
24	0521061340	OIL TUBE		04



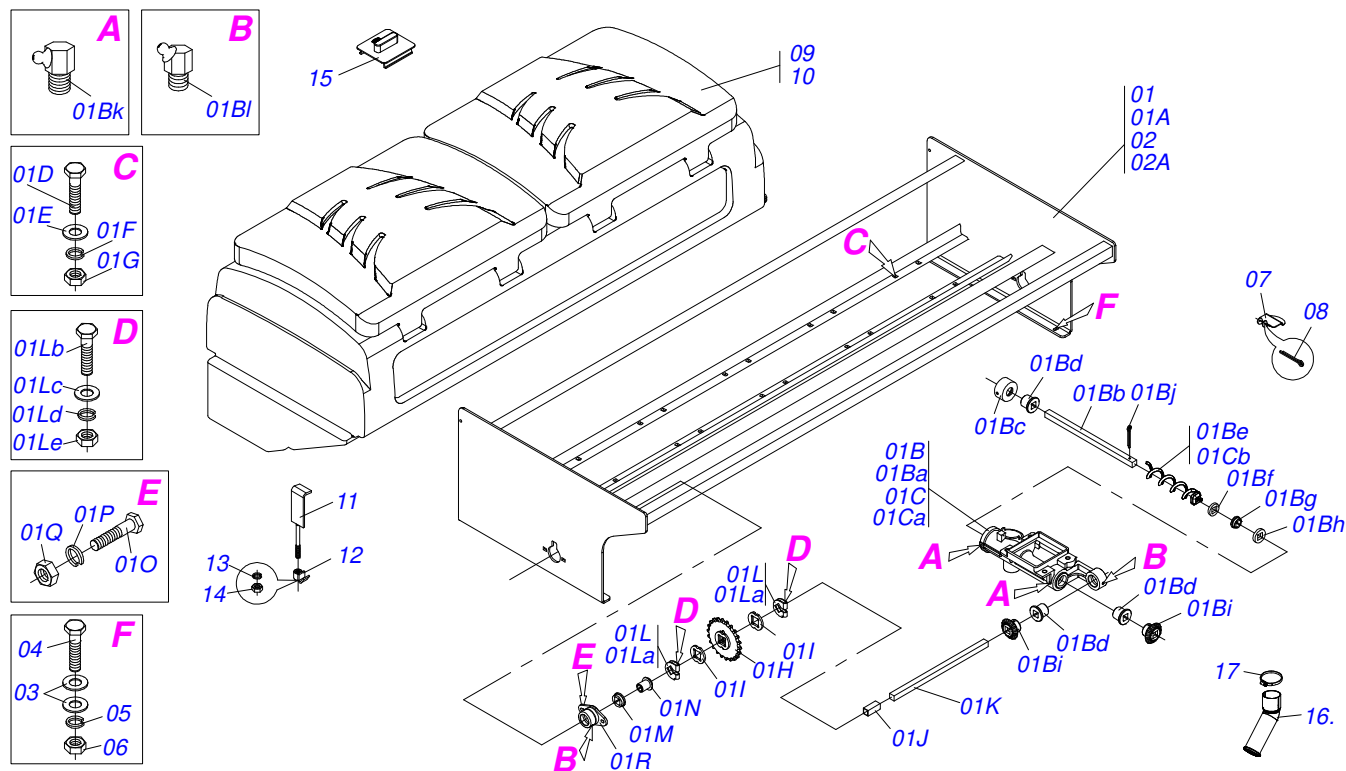
Item	Code	Description	See page	DIR.ESQ.09 LINHAS
01	0501059656	FERTILIZER SUPORT RIGHT BOX	01	00
01.	0501059657	FERTILIZER SUPORT LEFT BOX	00	01
01A	0521061324	BOX FERTILIZER SUPPORT	01	00
01A.	0521061325	FERTILIZER SUPORT LEFT BOX	00	01
01B	0511051558	LEFT SIDE FERTILIZER DISTRIBUTOR	02	03
01Ba	0501110682	DISTRIBUTOR FERTILIZER WITH LEFT SIDE OUTLET	03	02
01Bb	0501019851	DISTRIBUTOR FERTILIZER AXLE	05	05
01Bc	0521010309	SLEEVE INTER	05	05
01Bd	0503030275	AGRICULTURAL BEARING	10	10
01Be	0503031164	RIGHT HELICOID CONDUCTOR	02	03
01Bf	0511017137	FLAT WASHER	05	05
01Bg	0503030303	SUPPORT WASHER	05	05
01Bh	0501013774	GREASE SEAL	05	05
01Bi	0502011412	18Z CONICAL GEAR	05	05
01Bj	0503010523	1/4" X 2" COTTERPIN	05	05
01Bk	0503011962	GREASE FITTING	10	10
01Bl	0503010003	1845 GREASE FITTING	05	05
01C	0511051535	RIGHT SIDE FERTILIZER DISTRIBUTOR	03	02
01Ca	0501110676	SIDE FERTILIZER DISTRIBUTOR	03	02
01Cb	0503031165	LEFT HELICOID CONDUCTOR	03	02
01D	0503010751	C3/8" X 1.1/4" HEX BOLT G.5	20	20
01E	0501010984	FLAT WASHER	20	20
01F	0503011443	3/8" SPRING WASHER	20	20
01G	0503010026	3/8" NUT	20	20
01H	0511061759	22Z P12,70 FQ 3/4" GEAR	01	01
01I	0521014167	CONE LOCK	02	02
01J	0551018055	22,65 X 60 SLEEVE	02	02
01K	0511010866	RIGHT AXLE	01	01
01L	0501053788	3/4 SQUARE AXLE FASTENER	02	02
01La	0521010691	AXLE FASTENER	02	02
01Lb	0503010373	SCREW 1/4 UNC X 2 CS G.2 ZN	02	02



SUPPORT FERTILIZER BOX 09

0909094401

Item	Code	Description	See page	DIR.ESQ.09 LINHAS
01Lc	0501010694	FLAT WASHER		02 02
01Ld	0503010143	1/4" SPRING WASHER		02 02
01Le	0503010144	1/4" NUT		02 02
01M	0501110294	BEARING OF THE GEAR RIGHT BOX		01 01
01N	0521012485	GEAR BOX BEARING AGRICUTURAL		01 01
01O	0503010363	5/16" X 1" BOLT		02 02
01P	0503011444	SPRING WASHER		02 02
01Q	0503010337	5/16" NUT		02 02
01R	0503030303	SUPPORT WASHER		01 01
02	0501059657	FERTILIZER SUPORT LEFT BOX		00 01
02A	0521061325	FERTILIZER SUPORT LEFT BOX		00 01
03	0501010984	FLAT WASHER		08 08
04	0503010849	3/8" X 1-1/2" BOLT		04 04
05	0503010025	3/8" SPRING WASHER		04 04
06	0503010026	3/8" NUT		04 04
07	0571010590	FERTILIZER SIDE COVER		05 05
08	0503010257	1/8" X 1" COTTERPIN		05 05
09	0503060640	COVER BOX RIGHT FERTILIZER		01 00
10	0503060641	COVER BOX LEFT FERTILIZER		00 01
11	0511062099	FERTILIZER BEAM CLAMP		02 02
12	0511061886	FERTILIZER BEAM LOCK		02 02
13	0503010019	1/2" SPRING WASHER		02 02
14	0503010060	1/2" NUT		02 02
15	0503032624	SILO FERTILIZER GUTTER		03 03
16	0503031050	CURVED CONDUCTOR		04 05
17	0503010246	CLAMP		04 05



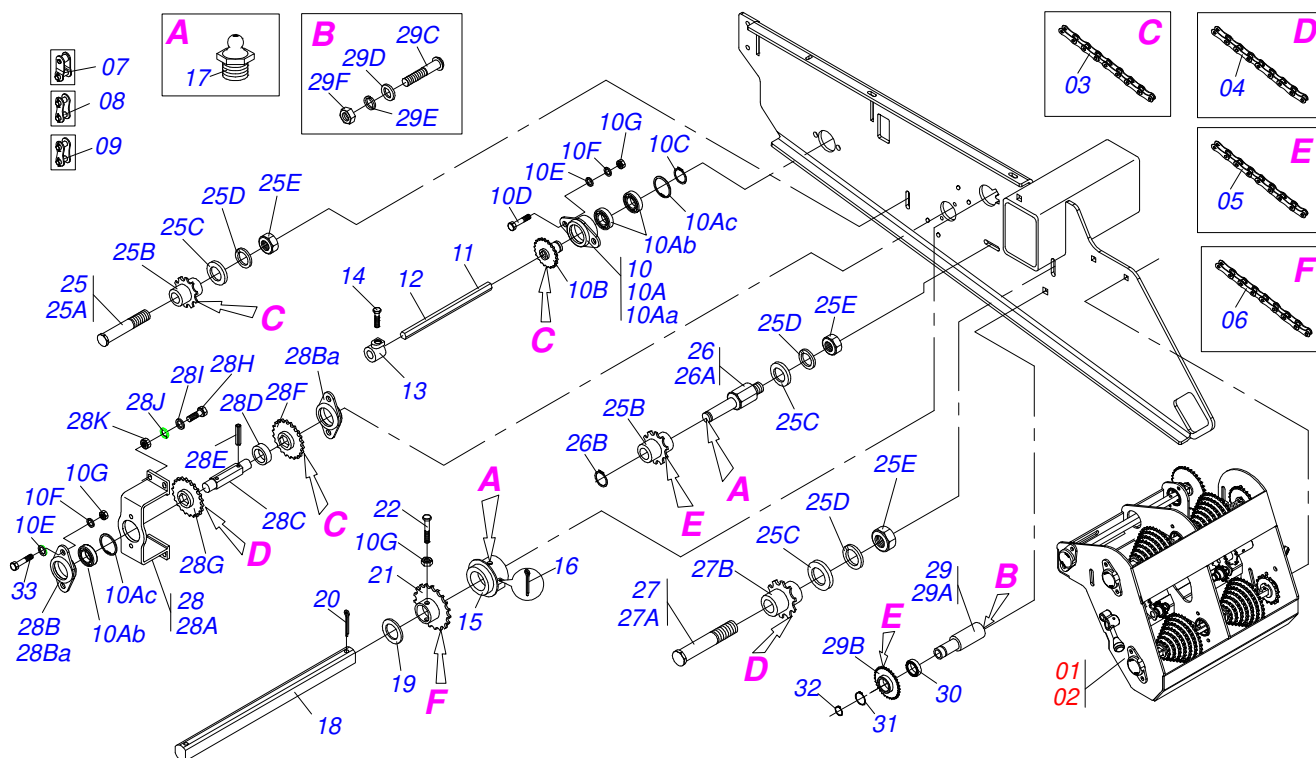
Item	Code	Description	See page	DIR.ESQ.07 LINHAS
01	0511051077	SUPPORT RIGHT BOX FERTILIZER WITH DISTRIBUTOR		01 00
01.	0511051078	SUPPORT LEFT BOX FERTILIZER WITH DISTRIBUTOR		00 01
01A	0521062410	RH BEAM SUPPORT		01 00
01A.	0521062412	LH BEAM SUPPORT		00 01
01B	0511051558	LEFT SIDE FERTILIZER DISTRIBUTOR		02 02
01Ba	0501110682	DISTRIBUTOR FERTILIZER WITH LEFT SIDE OUTLET		02 02
01Bb	0501019851	DISTRIBUTOR FERTILIZER AXLE		04 04
01Bc	0521010309	SLEEVE INTER		04 04
01Bd	0503030275	AGRICULTURAL BEARING		08 08
01Be	0503031164	RIGHT HELICOID CONDUCTOR		02 02
01Bf	0511017137	FLAT WASHER		04 04
01Bg	0503030303	SUPPORT WASHER		04 04
01Bh	0501013774	GREASE SEAL		04 04
01Bi	0502011412	18Z CONICAL GEAR		04 04
01Bj	0503010523	1/4" X 2" COTTERPIN		04 04
01Bk	0503011962	GREASE FITTING		09 09
01Bl	0503010003	1845 GREASE FITTING		04 04
01C	0511051535	RIGHT SIDE FERTILIZER DISTRIBUTOR		02 02
01Ca	0501110676	SIDE FERTILIZER DISTRIBUTOR		02 02
01Cb	0503031165	LEFT HELICOID CONDUCTOR		02 02
01D	0503010751	C3/8" X 1.1/4" HEX BOLT G.5		16 16
01E	0501010984	FLAT WASHER		16 16
01F	0503011443	3/8" SPRING WASHER		16 16
01G	0503010026	3/8" NUT		16 16
01H	0511061759	22Z P12,70 FQ 3/4" GEAR		01 01
01I	0521014167	CONE LOCK		02 02
01J	0551018055	22,65 X 60 SLEEVE		02 02
01K	0511010866	RIGHT AXLE		01 01
01L	0501053788	3/4 SQUARE AXLE FASTENER		02 02



BEAM ASSY 7 LINES

0909090510

Item	Code	Description	See page	DIR.ESQ.07 LINHAS
01La	0521010691	AXLE FASTENER		02 02
01Lb	0503010373	SCREW 1/4 UNC X 2 CS G.2 ZN		02 02
01Lc	0501010694	FLAT WASHER		02 02
01Ld	0503010143	1/4" SPRING WASHER		02 02
01Le	0503010144	1/4" NUT		02 02
01M	0501110294	BEARING OF THE GEAR RIGHT BOX		01 01
01N	0521012485	GEAR BOX BEARING AGRICUTURAL		01 01
01O	0503010363	5/16" X 1" BOLT		02 02
01P	0503011444	SPRING WASHER		02 02
01Q	0503010337	5/16" NUT		02 02
01R	0503030303	SUPPORT WASHER		01 01
02	0501059657	FERTILIZER SUPORT LEFT BOX		00 01
02A	0521061325	FERTILIZER SUPORT LEFT BOX		00 01
03	0501010984	FLAT WASHER		08 08
04	0503010849	3/8" X 1-1/2" BOLT		04 04
05	0503010025	3/8" SPRING WASHER		04 04
06	0503010026	3/8" NUT		04 04
07	0571010590	FERTILIZER SIDE COVER		04 04
08	0503010257	1/8" X 1" COTTERPIN		04 04
09	0503060636	COVER BOX RIGHT FERTILIZER		01 00
10	0503060637	COVER BOX LEFT FERTILIZER		00 01
11	0511062099	FERTILIZER BEAM CLAMP		02 02
12	0511061886	FERTILIZER BEAM LOCK		02 02
13	0503010019	1/2" SPRING WASHER		02 02
14	0503010060	1/2" NUT		02 02
15	0503032624	SILO FERTILIZER GUTTER		03 03
16	0503031050	CURVED CONDUCTOR		04 04
17	0503010246	CLAMP		04 04



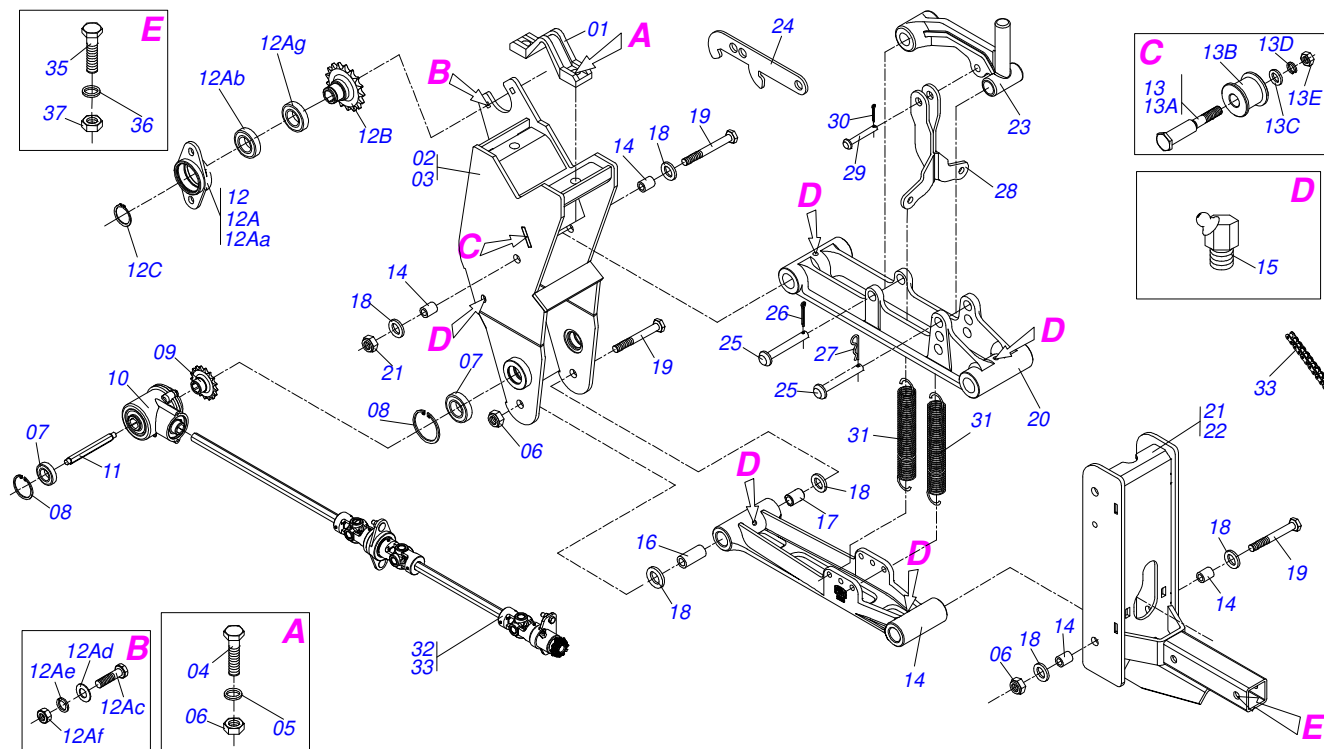
Item	Code	Description	See page	07 09 LINHAS
01	0511048348	RIGHT GEAR BOX ASSY		01 01
02	0511048349	RIGHT GEAR BOX ASSY		01 01
03	0503010429	50-1 X CHAIN X 108 LINK + MENDING		02 02
04	0503012477	40-1 X 129 CHAIN LINK + MENDING		02 02
05	0503012390	40-1 CHAIN X 93 LINK + MENDING		02 02
06	0503013214	40-1 CHAIN X 97 LINK + MENDING		02 02
07	0503011750	AMENDMENT WITH LOCK		02 02
08	0503011751	REDUCTION		02 02
09	0503010543	AMENDMENT WITH LOCK		02 02
10	0501053608	BEARING ASSY WITH GEAR 20Z 5/8" HEX AXLE		02 02
10A	0501053608	BEARING ASSY WITH GEAR 20Z 5/8" HEX AXLE		01 01
10Aa	0502011987	DOUBLE HOUSING BEARING		01 01
10Ab	0503011410	ROLLER BEARING		02 02
10Ac	0503011105	SEAL RING		01 01
10B	0511063106	20Z AXLE BEARING DOBLE		01 01
10C	0503010406	501025 CLAMPING RING (FOR AXLE)		02 02
10D	0503010365	NUT		04 04
10E	0501010694	FLAT WASHER		12 12
10F	0503010179	LOCK WASHER		12 12
10G	0503010337	5/16" NUT		16 16
11	0561018823	5/8" X 2250 MOTOR SHAFT		01 01
12	0531016942	RIGHT HEX AXLE 5/8 X 2050		01 01
13	0502040534	SPRING GUIDE BUSHING LOCK		04 04
14	0503010237	3/8" X 1" BOLT		04 04
15	0501110639	BEARING		04 04
16	0503010257	1/8" X 1" COTTERPIN		04 04
17	0503010002	1800 GREASE FITTING		04 04
18	0561015384	518 MOTOR SHAFT		02 02
19	0501018466	FLAT WASHER		02 02
20	0503010010	1/4" X 2.1/2" COTTERPIN		02 02
21	0511064105	17Z P 5/8" RH 1.4" GEAR		02 02



TRANSMISSION

0909093275

Item	Code	Description	See page	07 09 LINHAS
22	0503010937	5/16" X 3" BOLT		02 02
23	0511040424	RH TRANSMISSION DRIVING ASSY	6	01 01
24	0501051597	TRANSMISSION LEFT DRIVING		01 01
25	0501054655	CHAIN TENSIONER ASSY		02 02
25A	0531019479	AXLE CHAIN GEAR		02 02
25B	0503031806	9Z X P 5/8" GEAR		04 04
25C	0511017302	FLAT WASHER		06 06
25D	0503010019	1/2" SPRING WASHER		06 06
25E	0503010060	1/2" NUT		06 06
26	0501052810	TRANSMISSION CHAIN TENSIONER ASSEMBLY		02 02
26A	0521018933	FERT CHAIN TENSIONER AXLE		02 02
26B	0503010301	0.3" X 1.8" SPRING PIN		02 02
27	0501054686	GEAR BOX CHAIN TENSIONER		02 02
27A	0531019398	AXLE TENSIONER CHAIN GEAR BOX		02 02
27B	0503031805	11Z 1/2" GEAR		02 02
28	0501053846	MIDDLE BEARING OF THE TRANSMISSION		02 02
28A	0511063266	INTERMEDIARY BEARING SUPPORT		02 02
28B	0501052775	ROW SEED BEARING		04 04
28Ba	0502011697	BEARING OF THE GEAR BOX		02 02
28C	0531013674	INTERMEDIATE AXLE		02 02
28D	0541011184	1.1" X 2" X 0.7" SLEEVE		02 02
28E	0503010292	0.2" X 1.6" SPRING PIN		04 04
28F	0511063268	20Z P1/2" GEAR FOR HEX AXLE, 1"		02 02
28G	0511063267	26Z P1/2" GEAR FOR HEX AXLE, 1"		02 02
28H	0503010751	C3/8" X 1.1/4" HEX BOLT G.5		08 08
28I	0501010984	FLAT WASHER		08 08
28J	0503010025	3/8" SPRING WASHER		08 08
28K	0503010026	3/8" NUT		08 08
29	0501052788	CHAIN TENSIONER ASSY		02 02
29A	0521018415	TIGHTENER AXLE		02 02
29B	0511061836	17Z GEAR		02 02
29C	0501011234	5/8" X 3" BOLT		02 02
29D	0501012140	FLAT WASHER		02 02
29E	0503010027	5/8" SPRING WASHER		02 02
29F	0503010013	5/8" NUT		02 02
30	0503011410	ROLLER BEARING		04 04
31	0503011105	SEAL RING		02 02
32	0503010406	501025 CLAMPING RING (FOR AXLE)		04 04
33	0503010371	5/16" X 1" BOLT		08 08



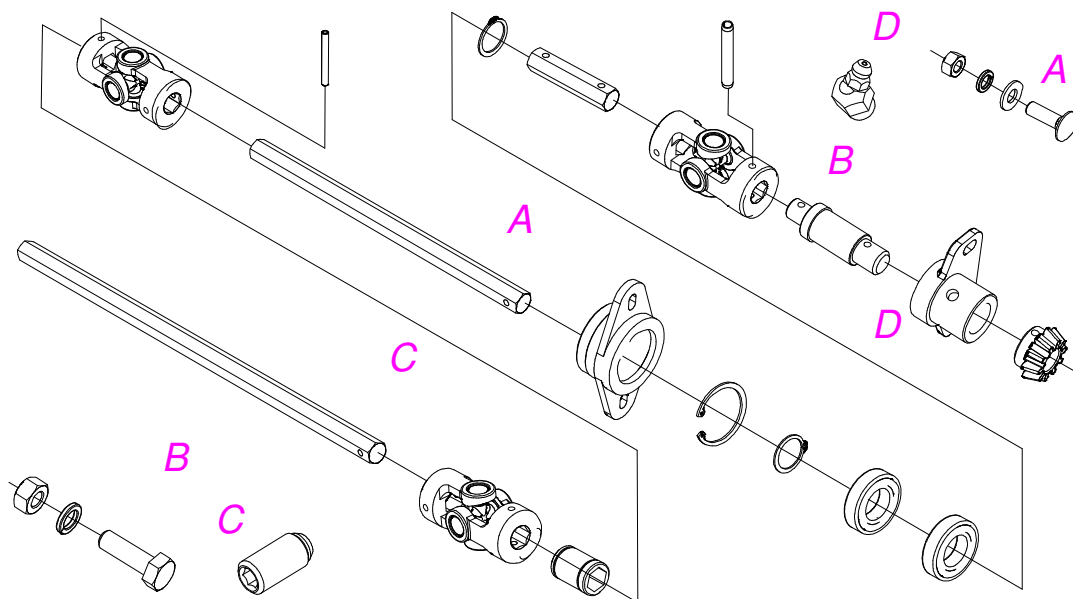
Item	Code	Description	See page	LG. CT.APARTIR 10/2012
	0511052740	LONG SEED ROW FRONT		01 00
00A	0511052741	LONG FRONT SEED ROW		01 00
00B	0501059837	SHORT SEED ROW FRONT		00 01
00C	0501059838	SHORT SEED ROW FRONT		00 01
01	0502010175	HITCH CLAMP		02 02
02	0521061237	LH SEED ROW SUPPORT FRONT		01 01
03	0521061238	RH SEED ROW SUPPORT FRONT		01 01
04	0501010163	5/8" X 4-1/2" BOLT		04 04
05	0501012140	FLAT WASHER		04 04
06	0503012412	5/8 UNC SELF LOCKING NUT		12 12
07	0503012882	BEARING		04 04
08	0503011945	503050 CLAMPING RING (FOR AXLE)		04 04
09	0561017947	17Z GEAR WITH HEX HOLE		02 02
10	0511050073	SEED ROW TRANSMISSION HUB	18	02 02
11	0561014904	TRANSMISSION AXLE FRAME LINE		02 02
12	0511050609	BEARING WITH 17Z GEAR ASSY		02 02
12A	0511050617	FRONT SEED ROW BEARING		02 02
12Aa	0502011697	BEARING OF THE GEAR BOX		02 02
12Ab	0503011105	SEAL RING		06 06
12Ac	0503011953	5/16" X 1" BOLT		04 04
12Ad	0501010694	FLAT WASHER		04 04
12Ae	0503010179	LOCK WASHER		04 04
12Af	0503010337	5/16" NUT		04 04
12Ag	0503011410	ROLLER BEARING		02 02
12B	0561017909	17Z GEAR WITH HEX HOLE		02 02
12C	0503010406	501025 CLAMPING RING (FOR AXLE)		02 02
13	0511050610	SEED ROW CHAIN TENSIONER ASSY		02 02
13A	0531019479	AXLE CHAIN GEAR		02 02
13B	0541016454	PULLEY		02 02
13C	0521014188	FLAT WASHER		02 02
13D	0503010019	1/2" SPRING WASHER		02 02



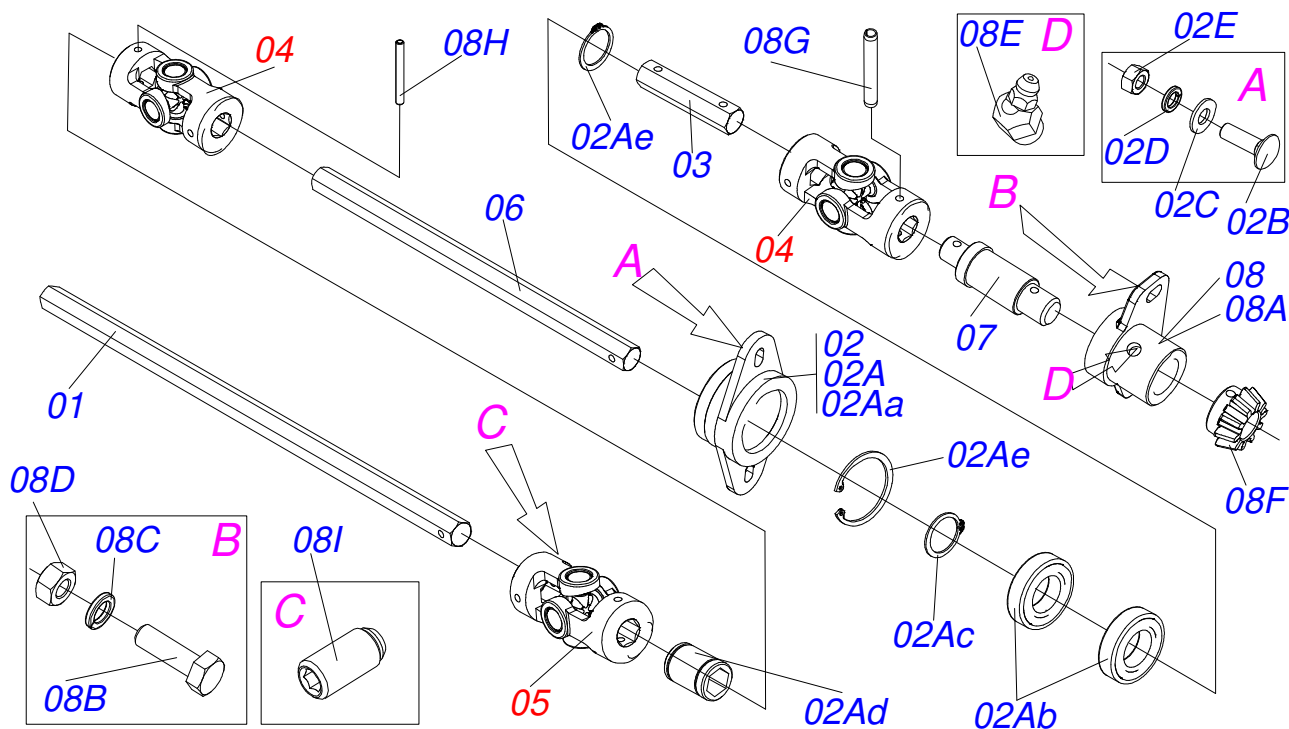
FRONT SEED ROW

0909090508

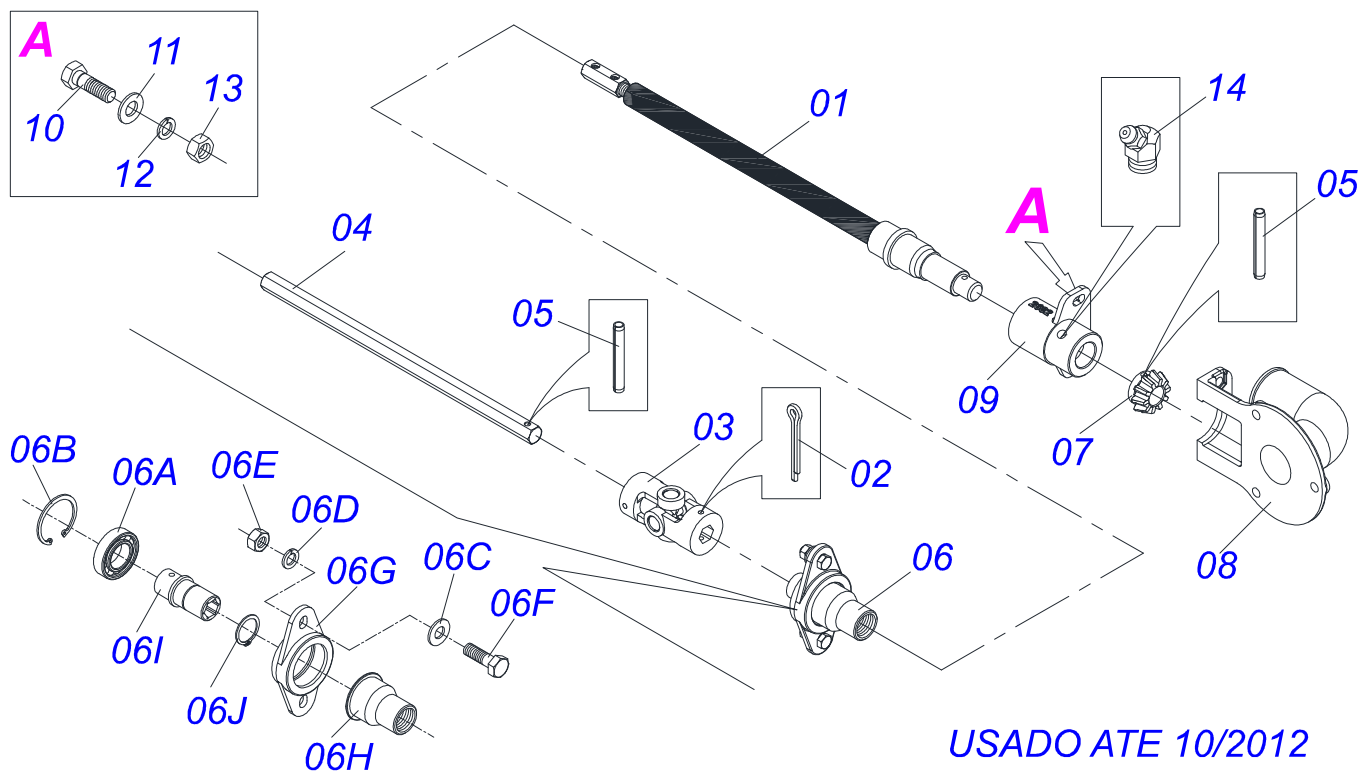
Item	Code	Description	See page	LG. CT.APARTIR 10/2012
13E	0503010060	1/2" NUT		02 02
14	0502012666	SEED ROW LOWER ARM		02 02
15	0503010003	1845 GREASE FITTING		08 08
16	0561015858	SPACER LOWER SLEEVE		02 02
17	0531015151	0.6" X 1" X 2.4" SLEEVE		14 14
18	0531015184	FLAT WASHER		16 16
19	0501010422	BOLT 5/8 UNC X 6.1/2 CS G.5 ZN		08 08
20	0502012350	SEED ROW UPPER ARM		02 02
21	0521061427	SHORT SEED ROW FRAME		02 00
22	0521061428	CC TIRE ROW FRAME		00 02
23	0502012568	UPPER ROCKER ARM		02 02
24	0561019032	SEED FERTIL ROW LOCK		02 02
25	0501011388	COUPLING SHAFT		04 04
26	0503010071	3/16" X 1" COTTERPIN		02 02
27	0503030168	CUPILLA		02 02
28	0521061850	SPRING UPPER FIXER		02 02
29	0521010773	0.37" X 1.18" COUPLING SHAFT		02 02
30	0503010140	1/8" X 3/4" COTTERPIN		02 02
31	0503030099	1.3" X 4.9" 0.2" TRACTION SPRING		04 04
32	0511052717	STEEL CABLE SET SUBSOILER	15	01 00
33	0511052716	STEEL CABLE SET SUBSOILER	16	00 01
34	0503016014	40-1 CHAIN X 92 LINK + REDUCTION		02 02
35	0503010706	BOLT 1/2 UNC X 4.1/2 C S G.5 ZN		18 18
36	0503010019	1/2" SPRING WASHER		18 18
37	0503010060	1/2" NUT		18 18



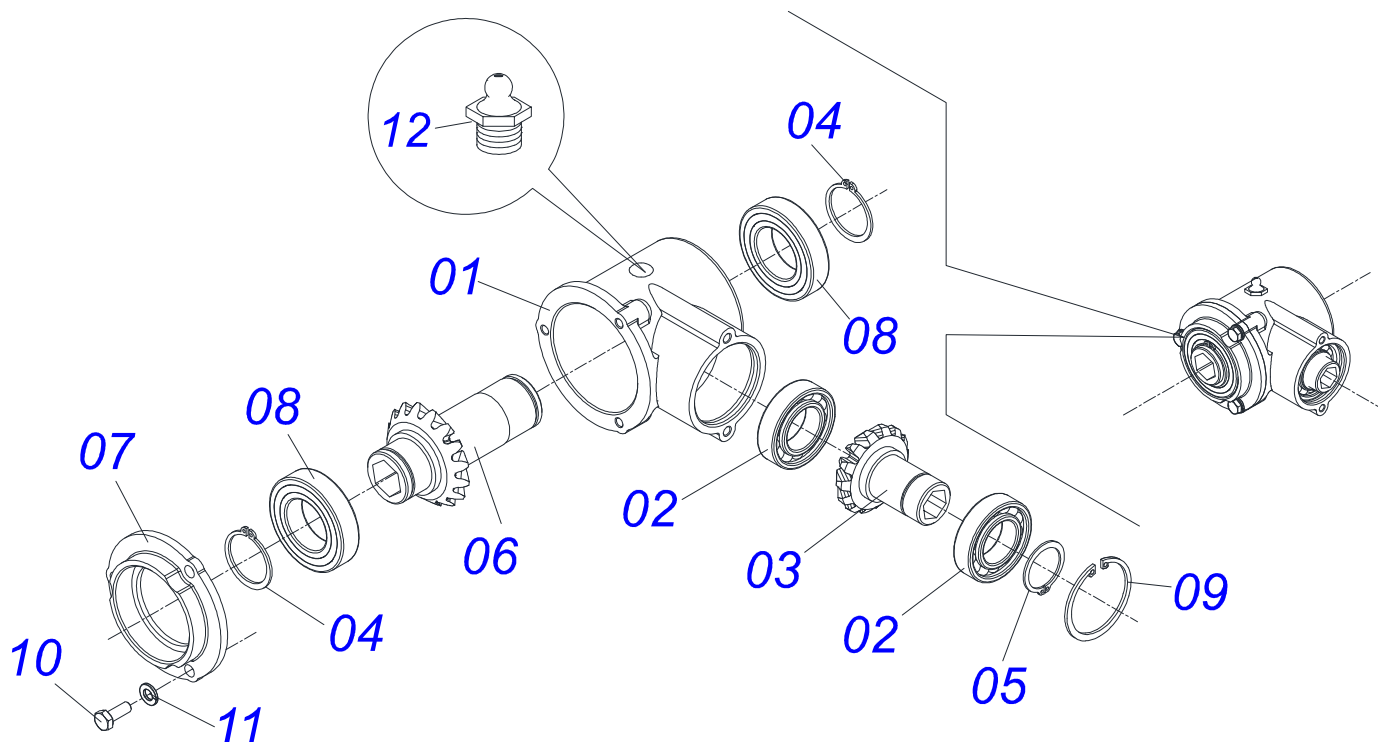
Item	Code	Description	See page	LG.USADO APARTIR 10/2012
00	0511052717	STEEL CABLE SET SUBSOILER	15	01
01	0571012788	HEX AXLE		01
02	0511050611	5/8" HEX AXLE BEARING		01
02A	0501059363	5/8" HEX AXLE BEARING		01
02Aa	0502011971	HOUSING WITH DOUBLE BEARING		01
02Ab	0503011410	ROLLER BEARING		02
02Ac	0503011105	SEAL RING		01
02Ad	0561014911	AXLE SLEVE GUIDES HEX		01
02Ae	0503010406	501025 CLAMPING RING (FOR AXLE)		02
02B	0503011953	5/16" X 1" BOLT		02
02C	0501010694	FLAT WASHER		02
02D	0503010179	LOCK WASHER		02
02E	0503010337	5/16" NUT		02
03	0551017540	5/8" X 73 AXLE HEX		01
04	0501056296	UNIVERSAL JOINT		02
05	0561014778	HEX UNIVERSAL JOINT		01
06	0571012411	HEX AXLE		01
07	0571012413	POINT TRANSMISSION		01
08	0511052391	BEARING WITH AXLE DISTRIBUTOR PNEUMATIC		01
08A	0571012291	PONTEIRA LODGING BEARING		01
08B	0503010371	5/16" X 1" BOLT		02
08C	0503010179	LOCK WASHER		02
08D	0503010337	5/16" NUT		02
08E	0503010003	1845 GREASE FITTING		01
08F	0502012648	10Z CONICAL GEAR		01
08G	0503015356	SPRING PIN		01
08H	0503011855	0.2" X 1.8" SPRING PIN		01
08I	0503013958	1/4" X 1" BOLT		02



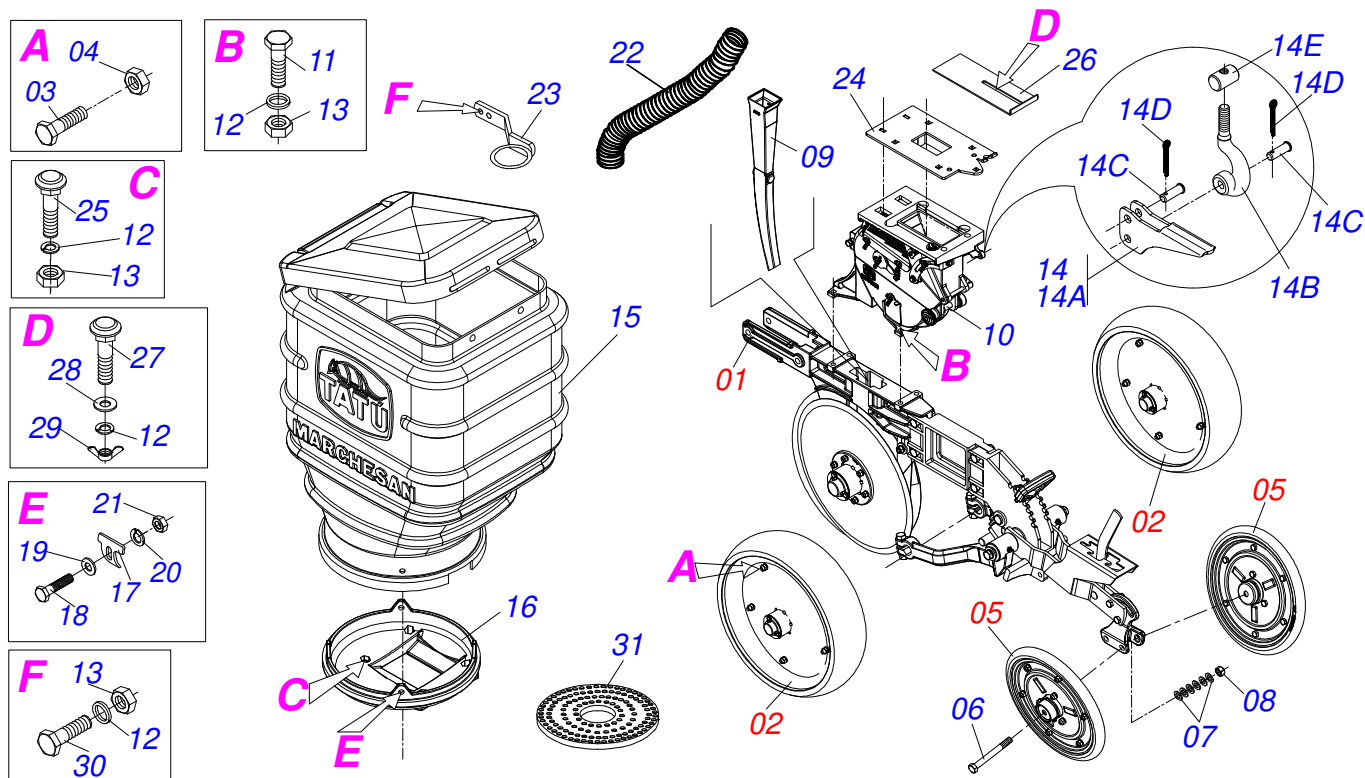
Item	Code	Description	See page	CT.USADO APARTIR 10/2012
00	0511052716	STEEL CABLE SET SUBSOILER	16	01
01	0571012411	HEX AXLE		01
02	0511050611	5/8" HEX AXLE BEARING		01
02A	0501059363	5/8" HEX AXLE BEARING		01
02Aa	0502011971	HOUSING WITH DOUBLE BEARING		01
02Ab	0503011410	ROLLER BEARING		02
02Ac	0503011105	SEAL RING		01
02Ad	0561014911	AXLE SLEVE GUIDES HEX		01
02Ae	0503010406	501025 CLAMPING RING (FOR AXLE)		02
02B	0503011953	5/16" X 1" BOLT		02
02C	0501010694	FLAT WASHER		02
02D	0503010179	LOCK WASHER		02
02E	0503010337	5/16" NUT		02
03	0551017540	5/8" X 73 AXLE HEX		01
04	0501056296	UNIVERSAL JOINT		02
05	0561014778	HEX UNIVERSAL JOINT		01
06	0571012412	HEX AXLE		01
07	0571012413	POINT TRANSMISSION		01
08	0511052391	BEARING WITH AXLE DISTRIBUTOR PNEUMATIC		01
08A	0571012291	PONTEIRA LODGING BEARING		01
08B	0503010371	5/16" X 1" BOLT		02
08C	0503010179	LOCK WASHER		02
08D	0503010337	5/16" NUT		02
08E	0503010003	1845 GREASE FITTING		01
08F	0502012648	10Z CONICAL GEAR		01
08G	0503015356	SPRING PIN		01
08H	0503011855	0.2" X 1.8" SPRING PIN		01
08I	0503013958	1/4" X 1" BOLT		02



Item	Code	Description	See page	QT
00	0511051328	STELL CABLE WHIT UNIVERSAL JOINT	17	
01	0521062650	CABLE TRANSMISSION		01
02	0503010300	5/32" X 1" COTTERPIN		01
03	0561019877	UNIVERSAL JOINT		01
04	0561019872	5/8" X 350 HEX AXLE		01
05	0503015356	SPRING PIN		02
06	0511051332	BEARING WITH SLEEVE		01
06A	0503011410	ROLLER BEARING		01
06B	0503011105	SEAL RING		01
06C	0501010694	FLAT WASHER		02
06D	0503010179	LOCK WASHER		02
06E	0503010337	5/16" NUT		02
06F	0503010371	5/16" X 1" BOLT		02
06G	0561019880	BEARING OF THE GEAR BOX		01
06H	0561019881	FIXING THE CABLE SLEEVE STEEL		01
06I	0561019882	TRANSMISSION SLEVE FIXER		01
06J	0503010406	501025 CLAMPING RING (FOR AXLE)		01
07	0502012648	10Z CONICAL GEAR		01
08	0502012681	CABLE STEEL BEARING SUPPORT		01
09	0502012682	CABLE STEEL BEARING		01
10	0503010363	5/16" X 1" BOLT		02
11	0501010984	FLAT WASHER		02
12	0503010179	LOCK WASHER		02
13	0503010337	5/16" NUT		01



Item	Code	Description	See page	QT
01	0502012465	TRANSMISSION HUB		01
02	0503011410	ROLLER BEARING		02
03	0561016713	PINION CONICAL PLASTIC		01
04	0503010707	501030 CLAMPING RING (FOR AXLE)		01
05	0503010406	501025 CLAMPING RING (FOR AXLE)		01
06	0561016712	16Z CONICAL GEAR PLASTIC		01
07	0502012464	BOX TRANSMISSION COVER		01
08	0503012861	6006 2RS BALL BEARING		02
09	0503011945	503050 CLAMPING RING (FOR AXLE)		01
10	0503011378	M6X1X16 C S 8.8 ZN BOLT		03
11	0503010143	1/4" SPRING WASHER		03
12	0503010003	1845 GREASE FITTING		01



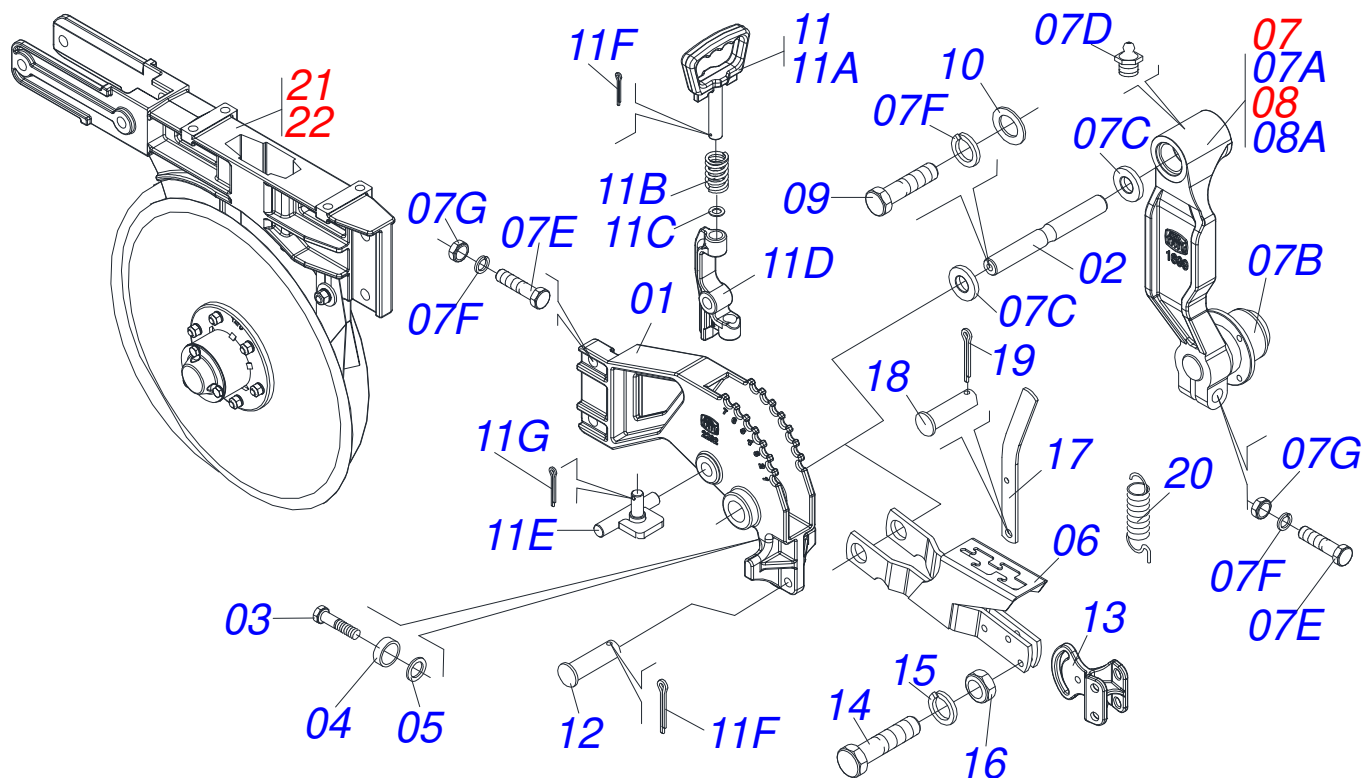
Item	Code	Description	See page	DIR.ESQ. 07/09LINHAS
00	0521041283	REAR RIGHT SEED ROW		01 00
00A	0521040112	REAR LEFT SEED ROW		00 01
00B	0521040111	ASSY DEPTH WHEEL/COMPACTOR SYSTEM		01 01
01	0511051447	CONTROL DEPTH ASSY		01 01
02	0501052538	DEPTH BAND WITH ARMS	21	02 02
03	0503010358	5/16" X 5/8" BOLT		08 08
04	0503013816	5/16" LOCKNUT		08 08
05	0501052908	COMPACTOR WHEEL WITH BEARING	22	02 02
06	0503010706	BOLT 1/2 UNC X 4.1/2 C S G.5 ZN		02 02
07	0521014508	FLAT WASHER		12 12
08	0503011336	1/2" HEX SELF ADJUSTING NUT		02 02
09	0503033124	SOCKET SEED		01 01
10	0511048674	PNEUMATIC SEED DISTRIBUTOR	23	01 01
11	0503011404	BOLT		04 04
12	0503010025	3/8" SPRING WASHER		11 11
13	0503010026	3/8" NUT		11 11
14	0511050809	SEMIFINISHED FAST CLOSING SET		09 09
14A	0541016855	SPEED ??LOCK LEVER ASSY		09 09
14B	0561019318	PRISONER CLOSING FAST		09 09
14C	0551018050	FAST BOLT GUIDE AXLE		18 18
14D	0503010257	1/8" X 1" COTTERPIN		18 18
14E	0561019270	FAST BOLT ADJUSTMENT		09 09
15	0503031508	COVER GREEN BEAM SEED YELLOW		01 01
16	0502011760	SEED SILO SUPPORT		01 01
17	0503010631	14131 CONE		04 04
18	0503010371	5/16" X 1" BOLT		04 04
19	0501010694	FLAT WASHER		04 04
20	0503010179	LOCK WASHER		04 04
21	0503010337	5/16" NUT		04 04
22	0551019401	2 X 3150 HOSE		01 01
23	0511063282	HOSE HOLDER		01 01



REAR SEED ROW

0909094404

Item	Code	Description	See page	DIR.ESQ. 07/09LINHAS
24	0521060631	FIXING BASE BOX		01 01
25	0501010942	3/8" X 1-1/4" BOLT		04 04
26	0531018349	SEED FLOW SWITCH PNEUMATIC SYSTEM		01 01
27	0501011643	3/8 X 1"BOLT		01 01
28	0501010984	FLAT WASHER		01 01
29	0503010209	3/8" UNC BUTTERFLY NUT		01 01
30	0503010751	C3/8" X 1.1/4" HEX BOLT G.5		02 02
31	0511050819	DISC 2440 CORN		01 01



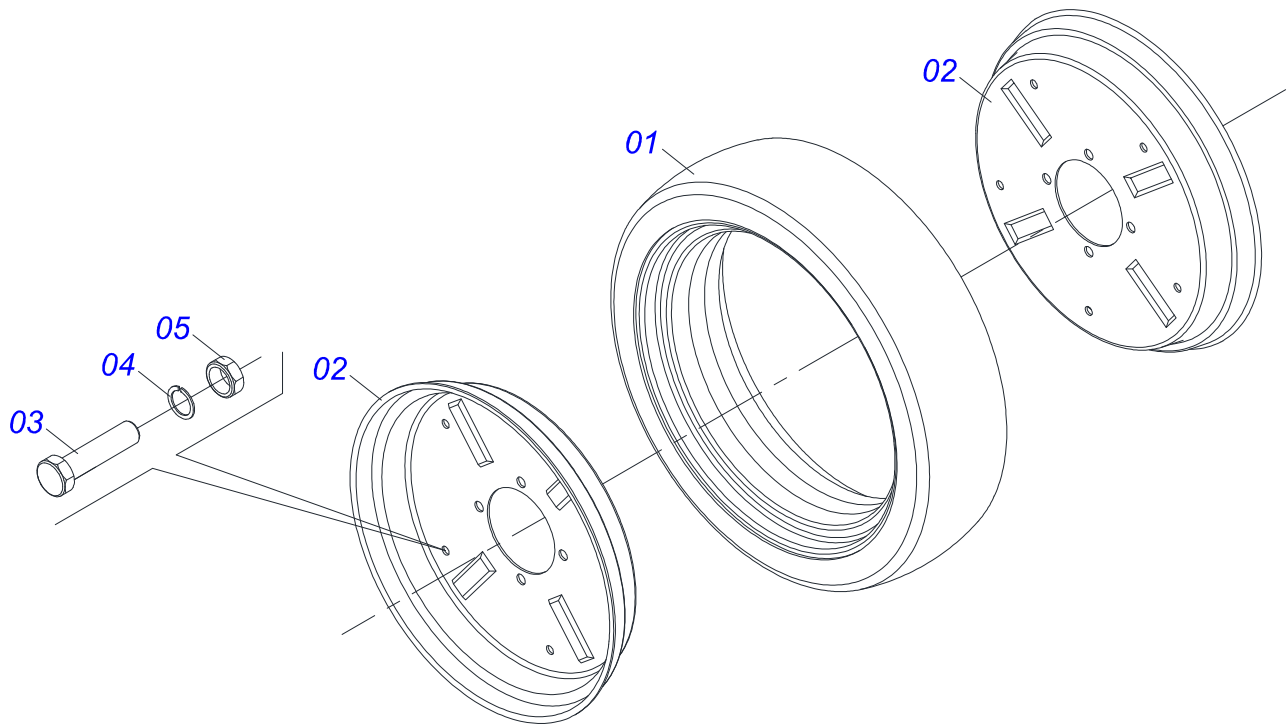
Item	Code	Description	See page
00	0511051447	CONTROL DEPTH ASSY	01
01	0502012282	DEPTH CONTROL SUPPORT	01
02	0531010765	DEPTH WHEEL AXLE	01
03	0503010256	3/8" X 3/4" BOLT	01
04	0521010480	1" X 1.2" X 0.4" ARTICULAT SLEEVE	02
05	0511015346	FLAT WASHER	04
06	0511069633	PRESS WHEELS COMPACTOR	01
07	0501058576	RIGHT WHEEL ARM	01
07A	0502012553	DEPTH WHEEL RIGHT ARM	01
07B	0501052627	ASSY DEPTH WHEEL BOX	25 01
07C	0503015021	6871-GA SEAL RING	02
07D	0503010002	1800 GREASE FITTING	01
07E	0503010740	BOLT 1/2 UNC X 2 CS G.5 ZN	02
07F	0503011440	SPRING WASHER	04
07G	0503010060	1/2" NUT	02
08	0501058577	RIGHT ARM DEPTH CONTROL WHEEL	01
08A	0502012552	LH ARM DEPTH CONTROL WHEEL	01
09	0503010834	1/2 X 1 BOLT	02
10	0511017302	FLAT WASHER	02
11	0501052297	DEPTH WHEELS REGULATOR ASSY	01
11A	0502011689	1/8" DEPTH CONTROL LEVER	01
11B	0503030975	0.9" X 1.5" X 0.1" SPRING	01
11C	0511015976	FLAT WASHER	01
11D	0502011688	SEED SIST CONTROL DEPTH LEVER	01
11E	0511060699	DEPTH WHEEL STOP	01
11F	0503010257	1/8" X 1" COTTERPIN	02
11G	0503010071	3/16" X 1" COTTERPIN	01
12	0521019093	0.6" X 2.7" PIVOT SHAFT	01
13	0502012116	PRESS WHEEL ADJUSTER	01
14	0503010849	3/8" X 1-1/2" BOLT	02
15	0503011443	3/8" SPRING WASHER	02



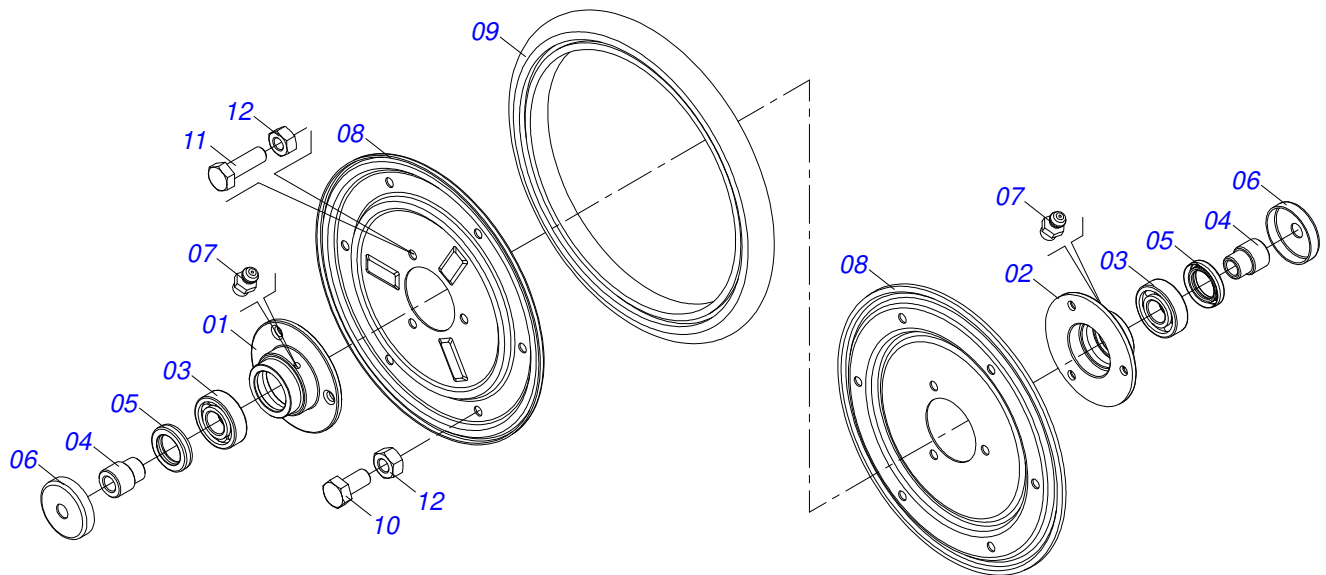
DEPTH CONTROL

0909093385

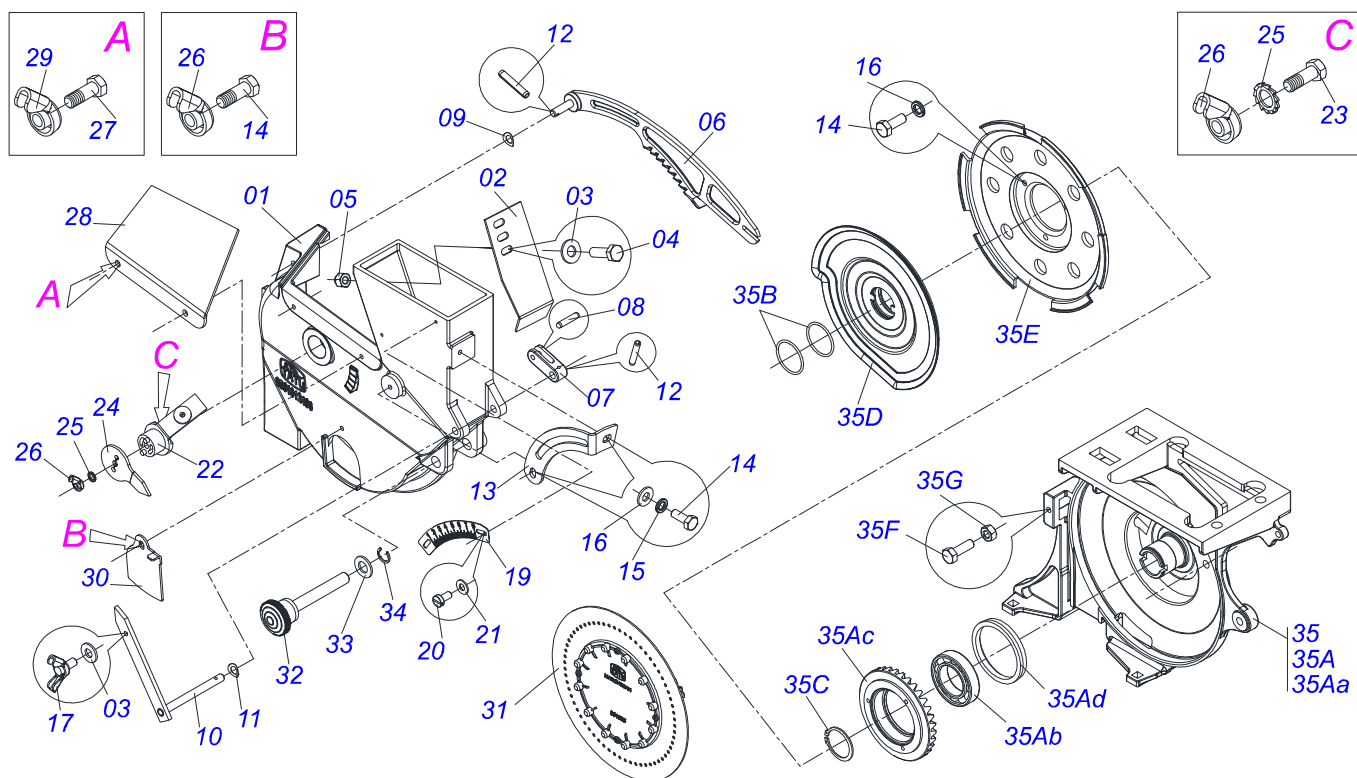
Item	Code	Description	See page
16	0503010026	3/8" NUT	02
17	0541016906	PRESS WHEELS REGULATOR BODY	01
18	0521010539	0.3" X 1.2" COUPLING SHAFT	01
19	0503010140	1/8" X 3/4" COTTERPIN	01
20	0503030805	1.6" X 6" X 0.2 TRACTION SPRING	01
21	0501059631	DDD SEED 15 X 15 RIGHT	01
22	0501059632	DDD SEED 15X15 LEFT	01



Item	Code	Description	See page	QT
01	0503030551	DEPTH CONTROL WHEEL RUBBER BAND		01
02	0521010832	RIM FLANGE		02
03	0503010298	1/4" X 1/2" BOLT		05
04	0503010143	1/4" SPRING WASHER		05
05	0503010144	1/4" NUT		05



Item	Code	Description	See page	QT
01	0502011919	PRESS WHEEL HUB		01
02	0502011877	PRESS WHEEL HUB		01
03	0503010269	6204 BALL BEARING		02
04	0521018922	PRESS WHEEL PASSANG AXLE		02
05	0503012734	SEAL 01556 BR		02
06	0521018921	DUST CLOAK		02
07	0503010691	1/4" GREASE FITTING		01
08	0521018928	PRESS WHEEL RIM		02
09	0503031421	DEPTH CONTROL WHEEL RUBBER BAND		01
10	0503010011	5/16" X 1/2" BOLT		06
11	0503010358	5/16" X 5/8" BOLT		03
12	0503013816	5/16" LOCKNUT		03



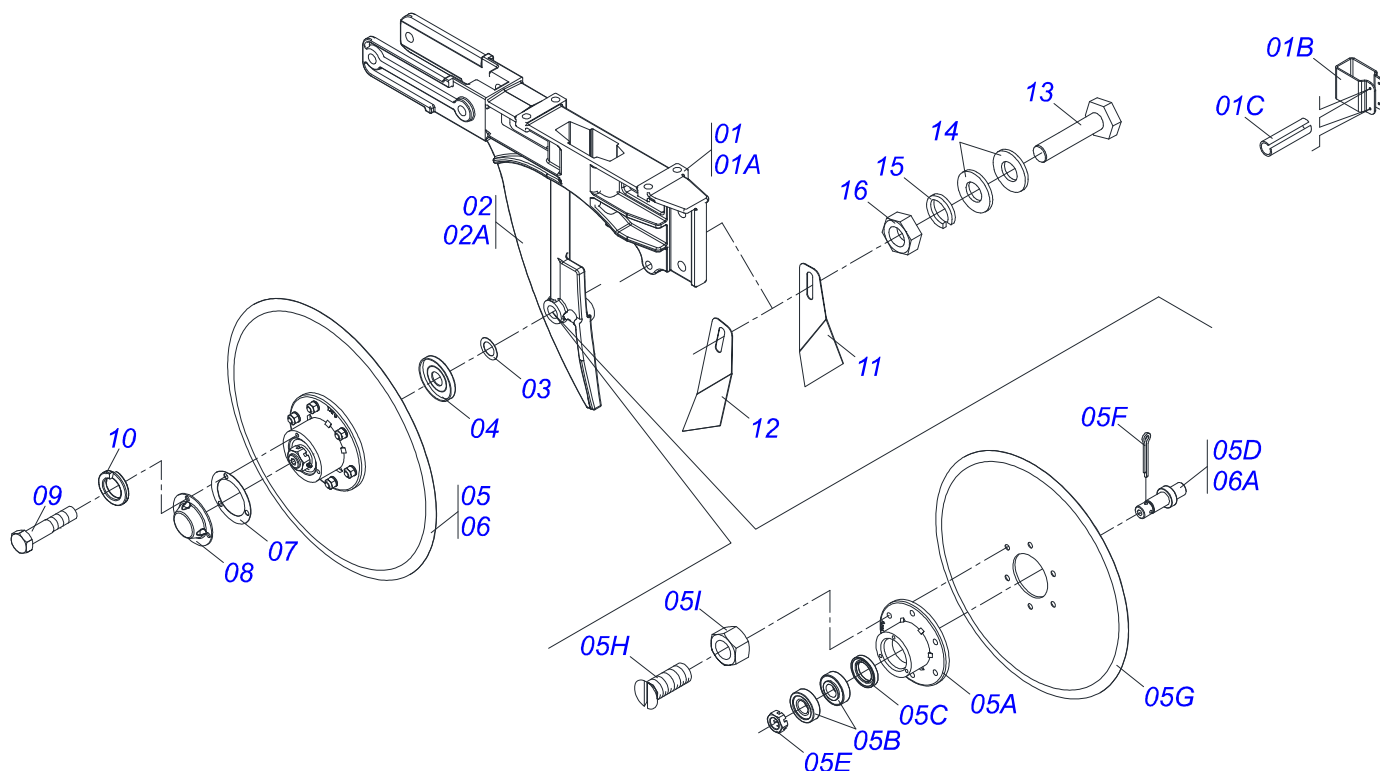
Item	Code	Description	See page
00	0511048674	PNEUMATIC SEED DISTRIBUTOR	23 01
01	0561012486	LATERAL COVER	01
02	0511017186	SEED LEVEL REGULATOR	01
03	0511017303	FLAT WASHER	01
04	0503014141	M6 X 1 X 20 BOLT	01
05	0503011776	M6 SELF ADJUSTINGNUT	01
06	0503011817	UPPER SELECTOR	01
07	0502020559	UPPER SELECTOR ACTUATOR	01
08	0531014481	0.2" X 0.6" AXLE	01
09	0503011821	CRINKLE WASHER	01
10	0501067818	SCALE INDICATOR WITH PIN	01
11	0503011820	CRINKLE WASHER	02
12	0503011823	0.1" X 0.6" SPRING PIN	01
13	0511017219	SCALE INDICATOR GUIDE	01
14	0503011378	M6X1X16 C S 8.8 ZN BOLT	05
15	0511017303	FLAT WASHER	02
16	0503010143	1/4" SPRING WASHER	02
17	0503011810	M6 X 1" BUTTERFLY BOLT	01
18	0511017303	FLAT WASHER	01
19	0503031058	UPPER SELECTOR SCALE	01
20	0503011825	M4 X 8" BOLT	02
21	0503011840	FLAT WASHER	02
22	0501110311	LOWER SELECTOR ASSY	01
23	0503011813	M6 X 1.2" BOLT	01
24	0511016220	LOWER SELECTOR INDICATOR	01
25	0503011815	TOOTHED WASHER	01
26	0503012445	M6 C/ABA 1.20" BUTTERFLY NUT	01
27	0503011104	M6 X 1" BOLT	03
28	0503013179	PNEUMATIC SEED DISTRIBUTOR VISOR	01
29	0503012445	M6 C/ABA 1.20" BUTTERFLY NUT	02
30	0561012741	SEED DRAINER COVER	01



COP CA SUPREMA - 07/09 LINES
PNEUMATIC SEED DISTRIBUTOR

Page 23
0511048674

Item	Code	Description	See page
31	0503011370	DISC 6440 MIDDLE SOYBEAN	01
32	0503011809	M12 KNOB	01
33	0503011828	FLAT WASHER	01
34	0503011827	504.100 CLAMPING RING (FOR HOLE)	01
35	0511050075	PNEUMATIC DISTRIBUTOR SUPPORT	01
35A	0501110649	INNER SUPPORT NEUMATIC SEED DISTR	01
35Aa	0502012599	PNEUMATIC SEED DISTRIBUTOR SUPPORT	01
35Ab	0503011771	6008 2RS BALL BEARING	01
35Ac	0502012649	18Z CONICAL GEAR 34 TEETH	01
35Ad	0503011770	SEAL # V-75 A	01
35B	0503012849	2-129 N 3006 9B O'RING	02
35C	0503010217	501040 CLAMPING RING (FOR AXLE)	01
35D	0503033121	PNEUMATIC SWITCH	01
35E	0502050003	SUPPORT INTERNAL DISC SEED VULCANIZ	01
35F	0503011295	M 8 X 1,25 X 25 BOLT	01
35G	0503010427	METRIC M8 X P.0.5" NUT	01



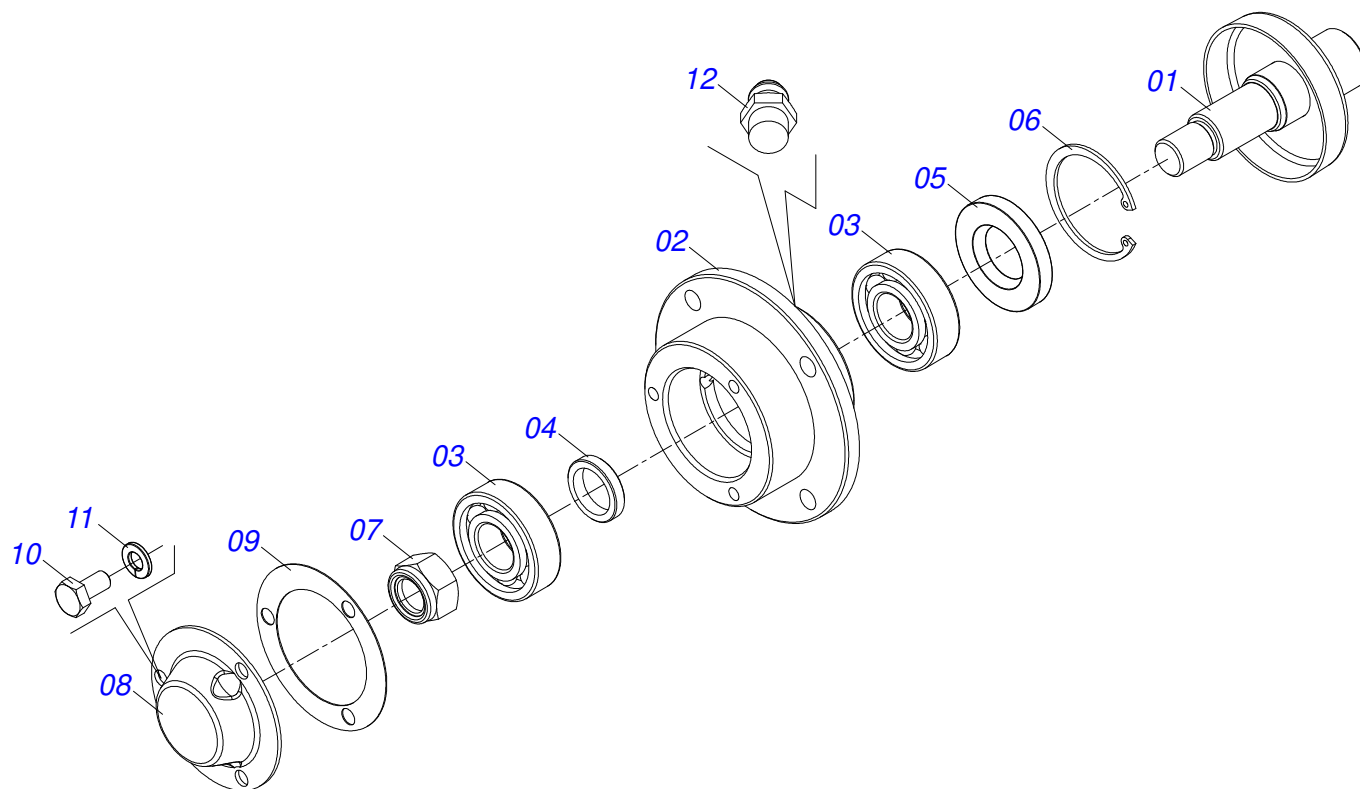
Item	Code	Description	See page	DIR	ESQ
00	0501059631	DDD SEED 15 X 15 RIGHT		01	00
00A	0501059632	DDD SEED 15X15 LEFT		00	01
01	0511052301	SUPPORT DDD 15 RIGHT		01	00
01A	0561015591	15"X15" RIGHT DOUBLE DISC SUPPORT		01	00
01B	0571012491	SOCKET SEED GUIDE		01	01
01C	0503010838	0.1" X 0.8" SPRING PIN		02	02
02	0511052302	LH SUPPORT DDD GUIDE		00	01
02A	0561015592	LEFT DOUBLE DISC SUPPORT		00	01
03	0511015098	FLAT WASHER		06	06
04	0511011927	DUST CLOAK		02	02
05	0501054167	BOX DDD ASSY DPL 15 RIGHT		01	00
05A	0502011930	DOUBLE DISC COULTER BOX		02	02
05B	0503010598	30204 BALL BEARING		04	04
05C	0503011112	SEAL 02376-BRG		02	02
05D	0521019154	RIGHT DOUB DISC HUB		01	00
05E	0503030282	3/4" CASTLE NUT		02	02
05F	0503010257	1/8" X 1" COTTERPIN		02	02
05G	0603022042	13" X 0.12" PLAIN COULTER BLADE		02	02
05H	0503010546	5/16" X 7/8" BOLT		12	12
05I	0503010337	5/16" NUT		12	12
06	0501054168	BOX DDD ASSY DPL 15 LEFT		00	01
06A	0521019148	LEFT DOUBLE DISC HUB		00	01
07	0503030757	2.9" X 2" X 0.02" JOINT		02	02
08	0521019178	COVER DEPTH		02	02
09	0503014729	1/4" UNF X 1/2" BOLT		06	06
10	0503011441	SPRING WASHER		06	06
11	0561010264	RH DOUBLE DISC SCRAPER - STARTING 04/18		01	01
12	0561010265	LH DOUBLE DISC SCRAPER - STARTING 04/18		01	01
13	0503010751	C3/8" X 1.1/4" HEX BOLT G.5		01	01
14	0501010984	FLAT WASHER		02	02
15	0503011443	3/8" SPRING WASHER		01	01



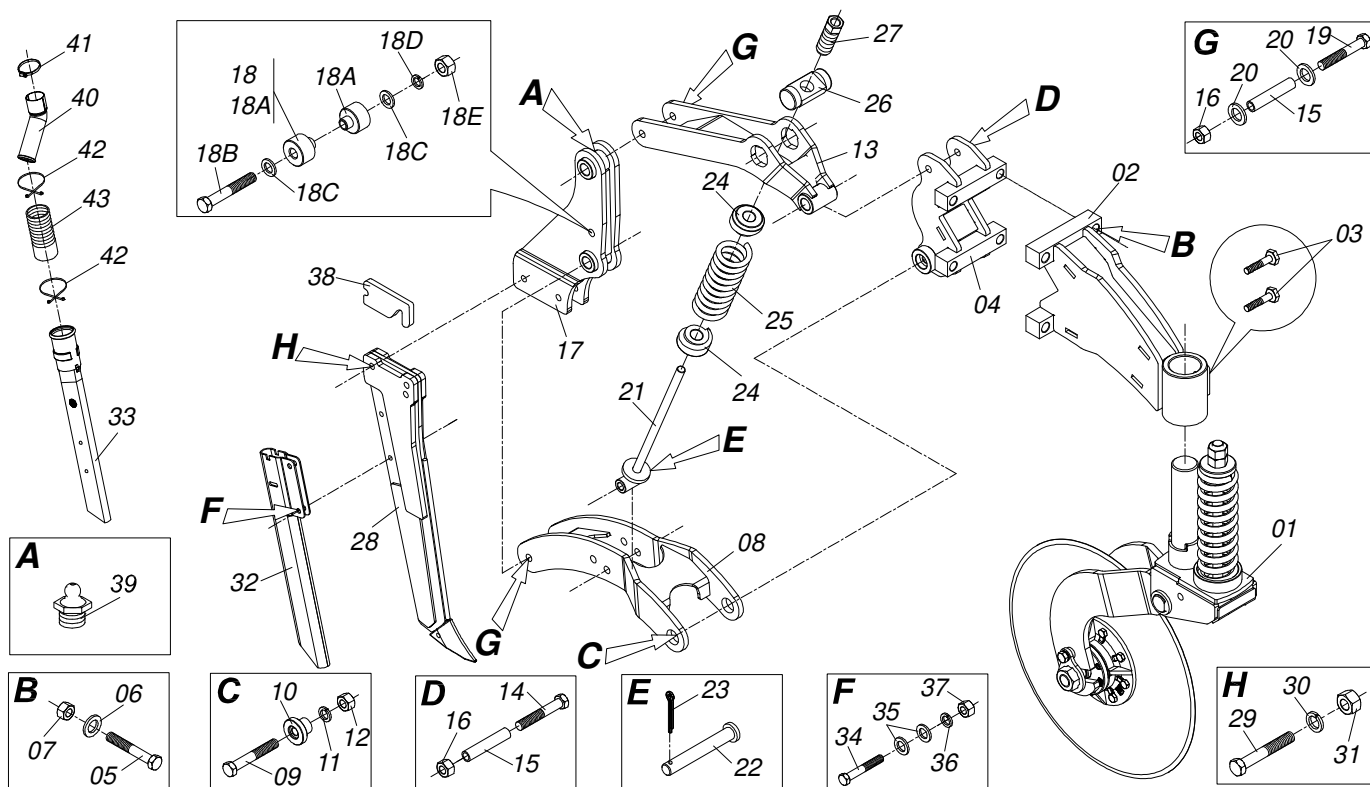
COP CA SUPREMA - 07/09 LINES
15X15 SEED UNAL DOUB-DISC ASSY

Page 24
0909093298

Item	Code	Description	See page	DIR	ESQ
16	0503010026	3/8" NUT		01	01



Item	Code	Description	See page	QT
01	0511060927	DEPTH CONTROL AXLE WITH DUST CLOAK		01
02	0502011907	DEPTH CONTROL WHEEL HUB		01
03	0503010269	6204 BALL BEARING		02
04	0501013636	SPACING SLEEVE		01
05	0503010689	SEAL 00763-BR		01
06	0503011105	SEAL RING		01
07	0503010878	5/8" SELF ALIGNING NUT		01
08	0521019178	COVER DEPTH		01
09	0503030757	2.9" X 2" X 0.02" JOINT		01
10	0503014729	1/4" UNF X 1/2" BOLT		03
11	0503011441	SPRING WASHER		03
12	0503010691	1/4" GREASE FITTING		01



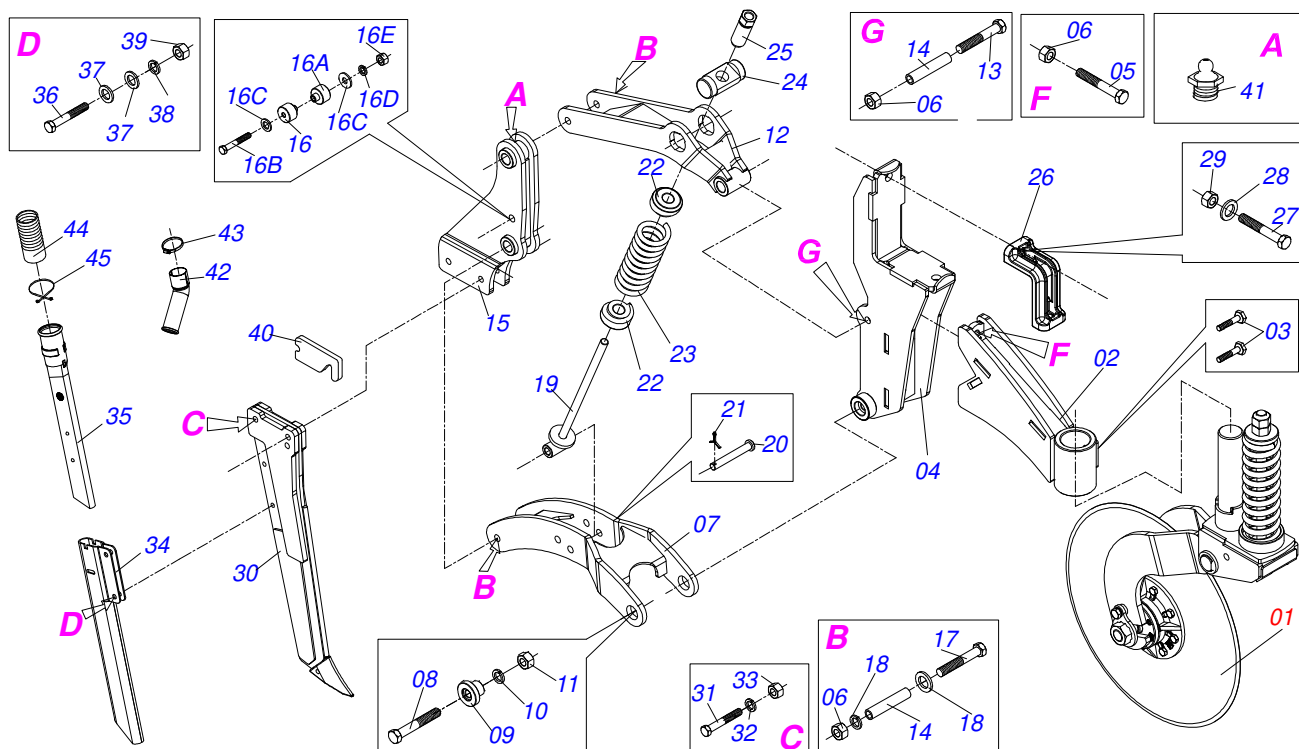
Item	Code	Description	See page	QT. 07/09LINHAS
00	0501059660			01
01	0511048339	24" BLADE DISC ASSY	28	01
02	0521061326	BLADE DISC AXLE SUPPORT		01
03	0511016156	BOLT 5/8 UNC X1.1/2 CS PC G.5 ZN		02
04	0521061407	ROW FERTILIZER SUPPORT		01
05	0503011084	3/4" X 5" BOLT		04
06	0511017305	FLAT WASHER		04
07	0503011075	3/4" UNC NUT		04
08	0511065857	FERTILIZER ROW LOWER SUPPORT		01
09	0503010233	5/8" X 2-1/2" BOLT		02
10	0531019990	BLADE D ARM ARTIC SLEEVE		02
11	0503010027	5/8" SPRING WASHER		02
12	0503010013	5/8" NUT		02
13	0511063862	FERTILIZER ROW UPPER SUPPORT		01
14	0501010452	5/8" X 5" BOLT		01
15	0531016207	0.6" X 1" X 2.8" SLEEVE		03
16	0503012412	5/8 UNC SELF LOCKING NUT		03
17	0511065837	FERTILIZER ROW REAR SUPPORT		01
18	0501059640	BEATER LINE SET FERTILIZER		01
18A	0561015611	BEATER SLEEVE		02
18B	0503011123	BOLT		01
18C	0501010984	FLAT WASHER		02
18D	0503010025	3/8" SPRING WASHER		01
18E	0503010026	3/8" NUT		01
19	0501010452	5/8" X 5" BOLT		02
20	0531016031	1/2" SPRING WASHER		04
21	0511061796	SPRING GUIDE		01
22	0521016057	COUP SHA OF THE CARRY-W SPRING GUI		01
23	0503010257	1/8" X 1" COTTERPIN		01
24	1902020393	SPRING UPPER SUPPORT		02
25	0503031450	2.7" X 9.2" X 0.03" SPRING		01



FERTILIZER ROW SHORT

0909094405

Item	Code	Description	See page	QT. 07/09LINHAS
26	0521011158	SPRING LOCKNUT		01
27	0521018575	REGULATOR SPINDLE 100		01
28	0501110640	SCARIFIER SPINDLE		01
29	0503010752	1/2" X 3.1/2" BOLT		02
30	0503010019	1/2" SPRING WASHER		02
31	0503010060	1/2" NUT		02
32	0501110713	INNER SOCKET FASTENER		01
33	0503030392	LEFT FERTILIZER NOZZLE		01
34	0503010751	C3/8" X 1.1/4" HEX BOLT G.5		02
35	0501010984	FLAT WASHER		04
36	0503010025	3/8" SPRING WASHER		02
37	0503010026	3/8" NUT		02
38	0511017969	0.1" SPACING PLATE		02
39	0503010002	1800 GREASE FITTING		03
40	0503031050	CURVED CONDUCTOR		01



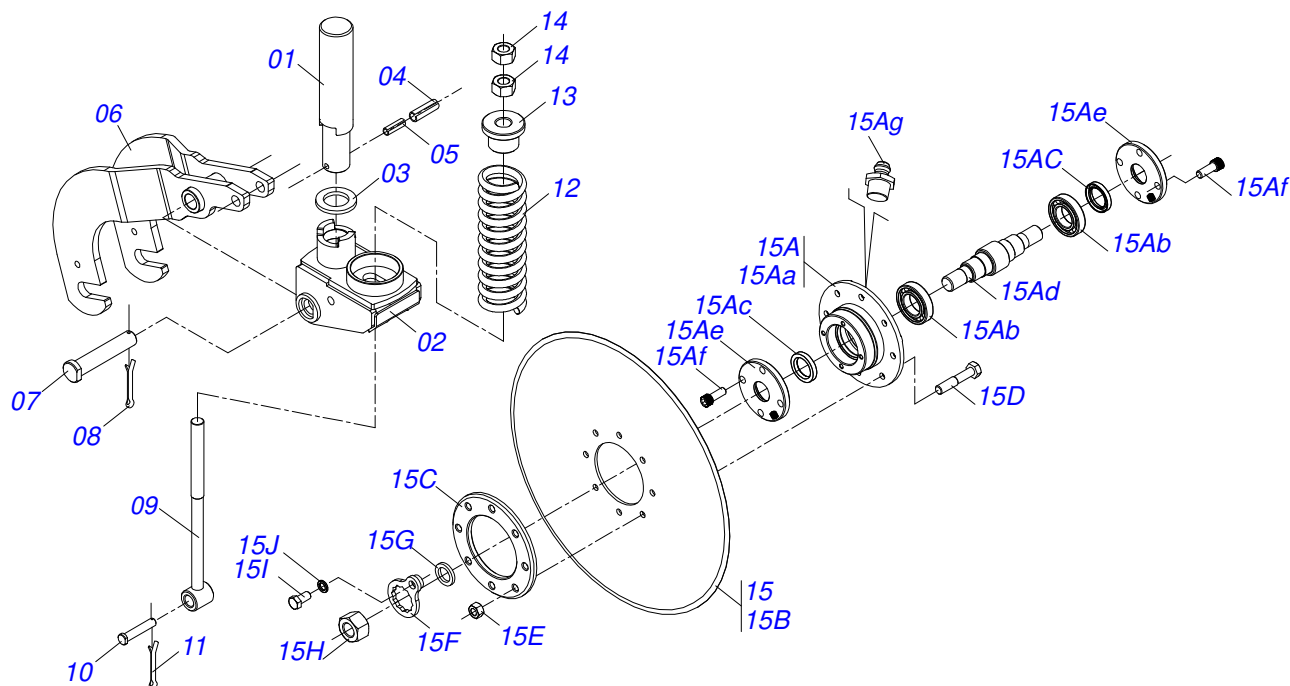
Item	Code	Description	See page	QT 07/09LINHAS
00	0501059661			01
01	0511048339	24" BLADE DISC ASSY	28	01
02	0521061327	DISC BLADE AXLE SUPPORT		01
03	0511016156	BOLT 5/8 UNC X1.1/2 CS PC G.5 ZN		02
04	0511065286	LONG FERTILIZER ROW SUPPORT		01
05	0501011543	5/8" X 4" BOLT		02
06	0503012412	5/8 UNC SELF LOCKING NUT		05
07	0511065857	FERTILIZER ROW LOWER SUPPORT		01
08	0503010233	5/8" X 2-1/2" BOLT		02
09	0531019990	BLADE D ARM ARTIC SLEEVE		02
10	0503010027	5/8" SPRING WASHER		02
11	0503010013	5/8" NUT		02
12	0511063862	FERTILIZER ROW UPPER SUPPORT		01
13	0501010452	5/8" X 5" BOLT		01
14	0531016207	0.6" X 1" X 2.8" SLEEVE		03
15	0511065837	FERTILIZER ROW REAR SUPPORT		01
16	0501059640	BEATER LINE SET FERTILIZER		01
16A	0561015611	BEATER SLEEVE		02
16B	0503011123	BOLT		01
16C	0501010984	FLAT WASHER		02
16D	0503010025	3/8" SPRING WASHER		01
16E	0503010026	3/8" NUT		01
17	0501010452	5/8" X 5" BOLT		02
18	0531016031	1/2" SPRING WASHER		04
19	0511061796	SPRING GUIDE		01
20	0521016057	COUP SHA OF THE CARRY-W SPRING GUI		01
21	0503010257	1/8" X 1" COTTERPIN		01
22	1902020393	SPRING UPPER SUPPORT		02
23	0503031450	2.7" X 9.2" X 0.03" SPRING		01
24	0521011158	SPRING LOCKNUT		01
25	0521018575	REGULATOR SPINDLE 100		01



SEED FERTILIZER LONG ROW

0909094402

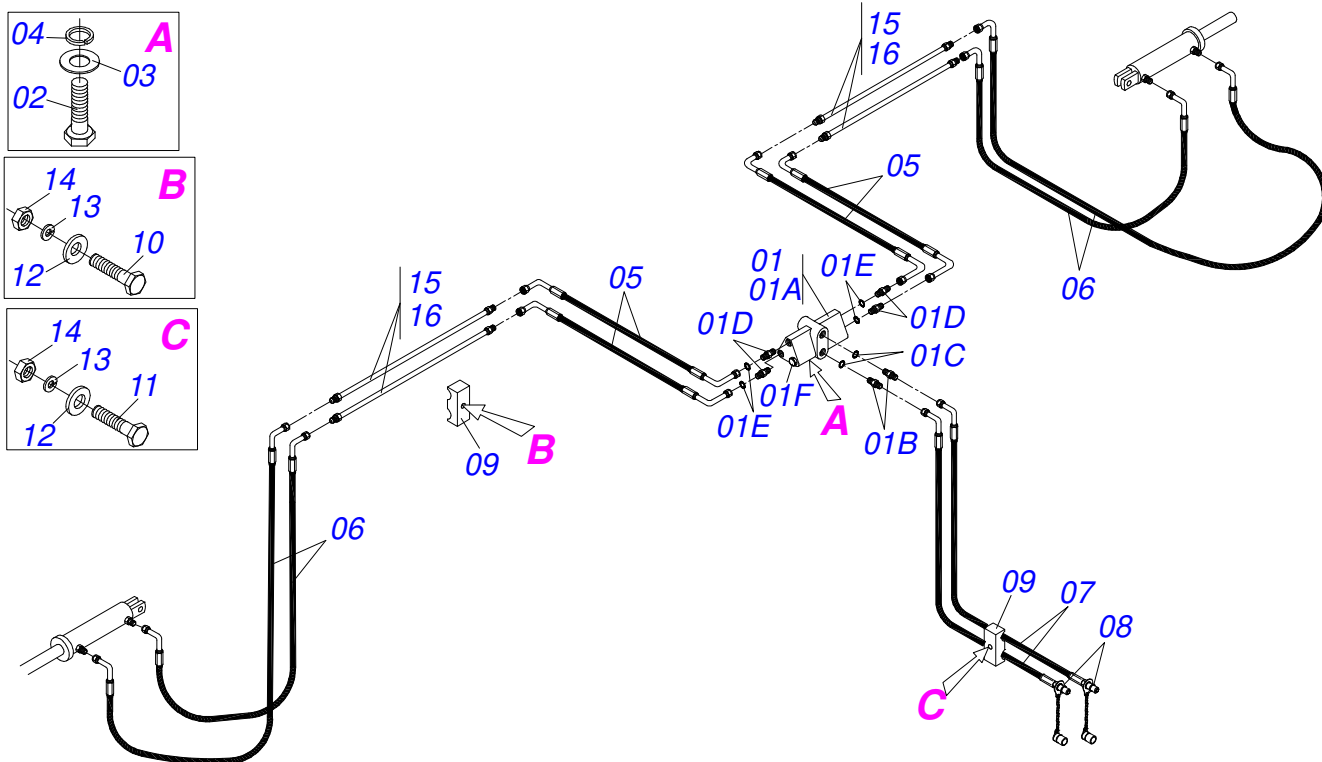
Item	Code	Description	See page	QT 07/09LINHAS
26	0502012400	ROW FERTILIZER FIXER		01
27	0503012334	3/4" UNC X 3.1/2" BOLT		02
28	0503010023	3/4" SPRING WASHER		02
29	0503010014	3/4" NUT		02
30	0501110640	SCARIFIER SPINDLE		01
31	0503010752	1/2" X 3.1/2" BOLT		02
32	0503010019	1/2" SPRING WASHER		02
33	0503010060	1/2" NUT		02
34	0501110713	INNER SOCKET FASTENER		01
35	0503030391	RIGHT FERTILIZER NOZZLE		01
36	0503010751	C3/8" X 1.1/4" HEX BOLT G.5		02
37	0501010984	FLAT WASHER		04
38	0503010025	3/8" SPRING WASHER		02
39	0503010026	3/8" NUT		02
40	0511017969	0.1" SPACING PLATE		02
41	0503010002	1800 GREASE FITTING		03
42	0503031050	CURVED CONDUCTOR		01
43	0503010246	CLAMP		01
44	0503030408	2X2X390 HOSE		01
45	0503031076	2" HOSE CLAMP		02



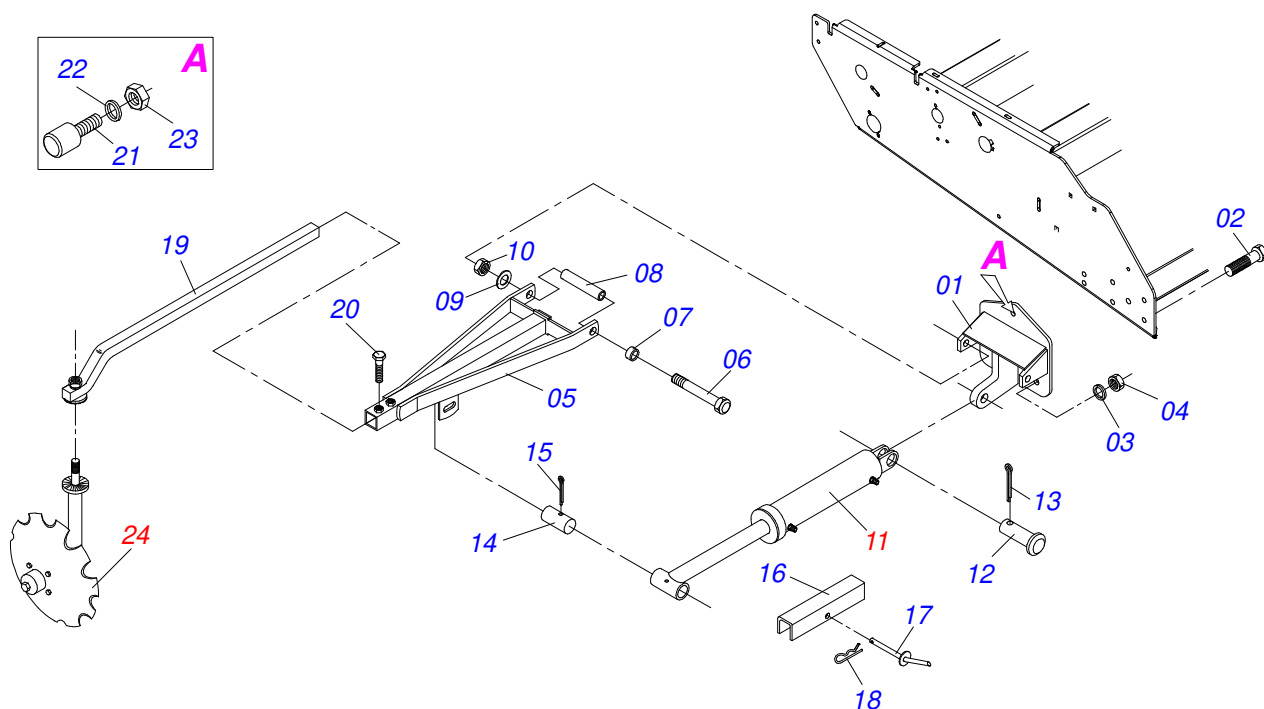
Item	Code	Description	See page	QT
01	0561015334	BLADE DISC AXLE ASSY		01
02	0521061328	SWIVEL BASE		01
03	0561015610	FLAT WASHER		01
04	0503010361	SPRING PIN		01
05	0503010756	0.2" X 2.4" SPRING PIN		01
06	0521062418	BLADE DISC FORK		01
07	0561015339	BLADE DISC AXLE ASSY		01
08	0503010010	1/4" X 2.1/2" COTTERPIN		01
09	0501069390	SPRING ROD		01
10	0561019515	COUPLING SHAFT		01
11	0503010571	1/4" X 1.1/2 COTTERPIN		01
12	0503031346	COMPRESSION SPRING		01
13	0561015400	BLADE DISC SPRING GUIDE		01
14	0503014018	1" NUT		01
15	0511050746	24" BLADE DISC ASSY		01
15A	0501057526	DISC HUB		01
15Aa	0502011478	DISC HUB		01
15Ab	0503011291	6209 BALL BEARING		02
15Ac	0503012106	00521-BR RETAINER		02
15Ad	0521012661	BLADE DISC AXLE HUB		01
15Ae	0502011477	BLADE DISC HOUSIG CP		02
15Af	0503010134	3/8" X 1" BOLT		08
15Ag	0503010002	1800 GREASE FITTING		01
15B	0603030044	24" X 0.2" FLAT PLAIN DISC		01
15C	0521011824	BLADE DISC FLANGE OUTER		01
15D	0503011172	BOLT 1/2 UNC X 2.1/2 C S G.5 ZN		08
15E	0503010060	1/2" NUT		16
15F	0501069637	AXLE NUT LOCK		02
15G	0521012664	FLAT WASHER		02
15H	0501010087	1.1/4" NUT		02
15I	0503010962	5/8" X 1-1/4" BOLT		02



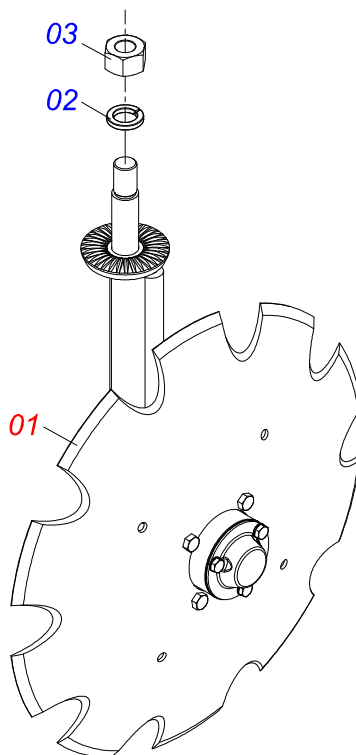
Item	Code	Description	See page	QT
15J	0503010027	5/8" SPRING WASHER		02



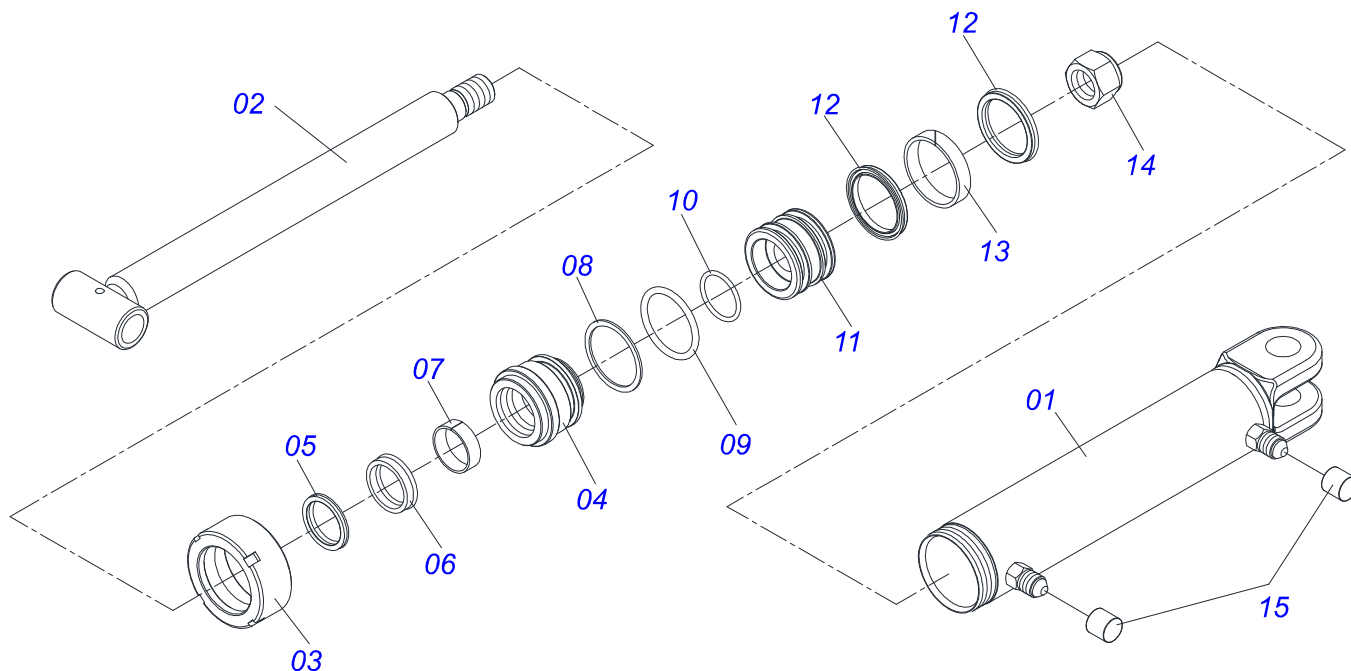
Item	Code	Description	See page	07 09 LINHAS
01	0501054649	HBM SEQUENTIAL VALVE	33	01 01
01A	0503060132	VDFS-002 T SEQUENCCEL VALVE		01 01
01B	0501010617	3/4" NIPPLE		02 02
01C	0503010190	2-114 N 3006-9B O'RING		02 02
01D	0501012109	3/4" X 9/16" NIPPLE		04 04
01E	0503011036	2-111 N 3006-9B O'RING		06 06
01F	0531019339	9/16" UNF X 12 PUMP		02 02
02	0503010371	5/16" X 1" BOLT		02 02
03	0501010694	FLAT WASHER		02 02
04	0503010179	LOCK WASHER		02 02
05	0501080687	3/8 X 1150 TC-TC HOSE ASSY		04 04
06	0501080793	3/8" X 1500 TC-TC HOSE		04 04
07	0501080878	3/8 X 4200 TC-TM HOSE ASSY		02 02
08	0501053834	MALE QUICK COUPLER		02 02
09	0502010477	HOSE CLAMP		04 04
10	0501010096	3/8" X 2" BOLT		02 02
11	0503011268	3/8" X 2-1/2" BOLT		02 02
12	0501010984	FLAT WASHER		04 04
13	0503010025	3/8" SPRING WASHER		04 04
14	0503010026	3/8" NUT		04 04
15	0521062404	OIL TUBE		04 00
16	0521061340	OIL TUBE		00 04



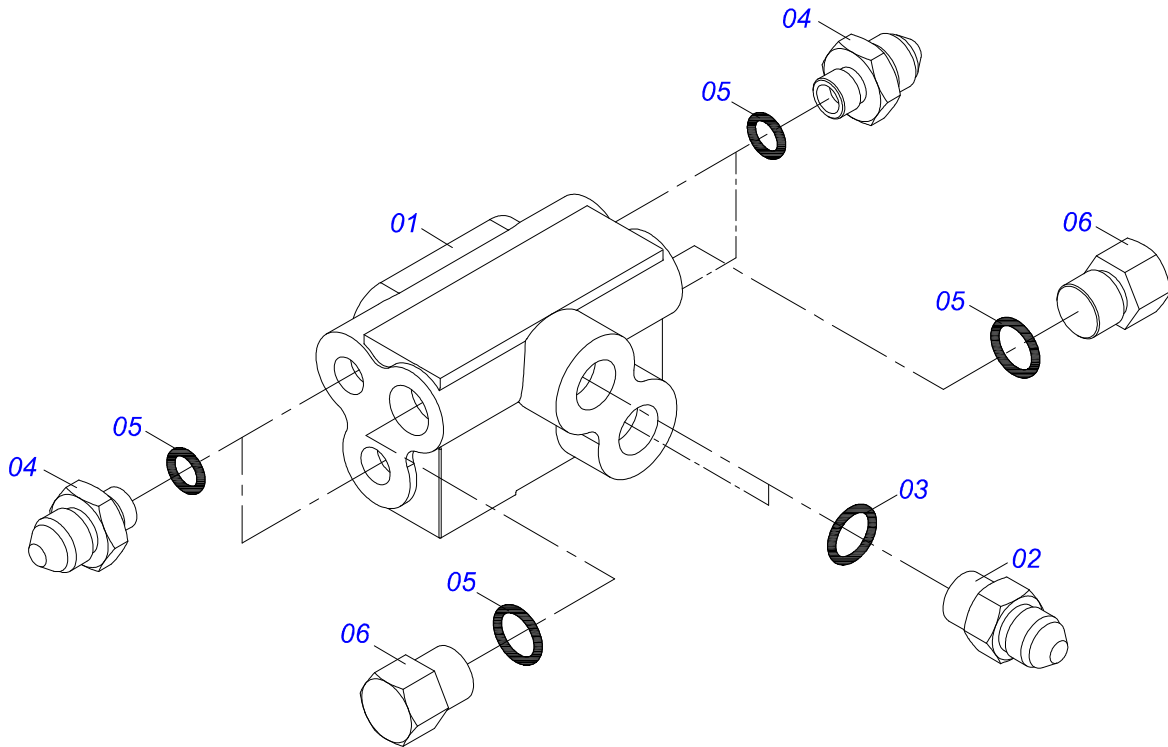
Item	Code	Description	See page	07 09 LINHAS
01	0511065449	ROW MARKER ARM SUPPORT		02 02
02	0501018059	3/4" X 2-1/4" BOLT		08 08
03	0503010023	3/4" SPRING WASHER		08 08
04	0503011255	3/4" LOCK NUT		08 08
05	0501069470	ROW MARKER ARM		02 02
06	0521061655	BOLT 5/8 UNC X 320 MM		02 02
07	0521010479	SLEEVE ARTICULATION		04 04
08	0521017687	SPACING SLEEVE		02 02
09	0501012140	FLAT WASHER		04 04
10	0503012795	5/8" HEX SELF ADJUSTING NUT		04 04
11	0511040203	1.5" X 2.5" X 19" X 9" HYDRAULIC CYLINDER	32	02 02
12	0521010575	C0.9" X 3.3" COUPLING SHAFT		02 02
13	0503010571	1/4" X 1.1/2 COTTERPIN		02 02
14	0511015779	1" X 4.2" AXLE		02 02
15	0503010523	1/4" X 2" COTTERPIN		02 02
16	0511017592	11.8" X 1.6" TRANSPORT LOCK		02 02
17	0501068994	0.3" X 3.1" LOCK PIN		02 02
18	0503030168	CUPILLA		02 02
19	0501069643	890 TURNBUCKLE		02 02
20	0503010962	5/8" X 1-1/4" BOLT		04 04
21	0503011070	BEATER		02 02
22	0503010019	1/2" SPRING WASHER		02 02
23	0503010060	1/2" NUT		02 02
24	0501050633	ROW MARKER DISK ASSEMBLY	31	02 02



Item	Code	Description	See page	QT
01	0511053904	ROW MARKER DISC		01
02	0503010023	3/4" SPRING WASHER		01
03	0503010014	3/4" NUT		01



Item	Code	Description	See page	QT
01	0511062810	2.5" X 15"CYLINDER CASE		01
02	0501065662	HYDRAULIC CYLINDER TURNBUCKLE		01
03	0502010471	MOBILE COVER		01
04	0502010780	RING SUPPORT		01
05	0503010163	D-1500 SCRAPER RING		01
06	0503010989	1870-1500-375-B GASKET		01
07	0503010970	W1-1650-500 PK O'RING G.E		01
08	0503011058	8-330 BACK-UP RING		01
09	0503010161	2-330 N 3006 9B O'RING		01
10	0503010285	2-222 N 3006-9B O'RING		01
11	0502010783	1.5" X 2.5" PISTON		01
12	0503010160	2500 2000 GASKET		02
13	0503010973	W2-2500-500 PK O'RING G.E		01
14	0503010063	1" SELF-ALIGNING NUT		01
15	0503030384	CON PLUG N-001		02
16	0501032666	HYDRAULIC CYLINDER REPAIR KIT		01



Item	Code	Description	See page	QT
01	0503060132	VDFS-002 T SEQUENCIAL VALVE		01
02	0501010617	3/4" NIPPLE		02
03	0503010190	2-114 N 3006-9B O'RING		02
04	0501012109	3/4" X 9/16" NIPPLE		04
05	0503011036	2-111 N 3006-9B O'RING		06
06	0531019339	9/16" UNF X 12 PUMP		02



MARCHESAN

Technical Publications | Elaboration and Revision

ALESSANDRA PATRICIA KAWAHARA CARRILI

www.marchesan.com.br

