

**AUXILIARY PRODUCTS**

**STA 2/3/4/5/7**  
**STA 2/3/4/5/7**

**Code:** 0501090953  
**Series:** S-0822  
**Revision:** 00  
**Revision Date:** AUGUST/2023

# **PARTS CATALOGUE**



**MARCHESAN**



# PRODUCTS

Code	Working Width	Description
0113010021		STA-2 RASPADEIRA AGR C/PN S-0822
0113010018		STA-3 RASPADEIRA AGR C/PN S-0822
0113010017		STA-4 RASPADEIRA AGR C/PN S-0822
0113010019		STA-5 RASPADEIRA AGR C/PN S-0822
0113010020		STA-7 RASPADEIRA AGR C/PN S-0822

## ATTENTION: IMPORTANT

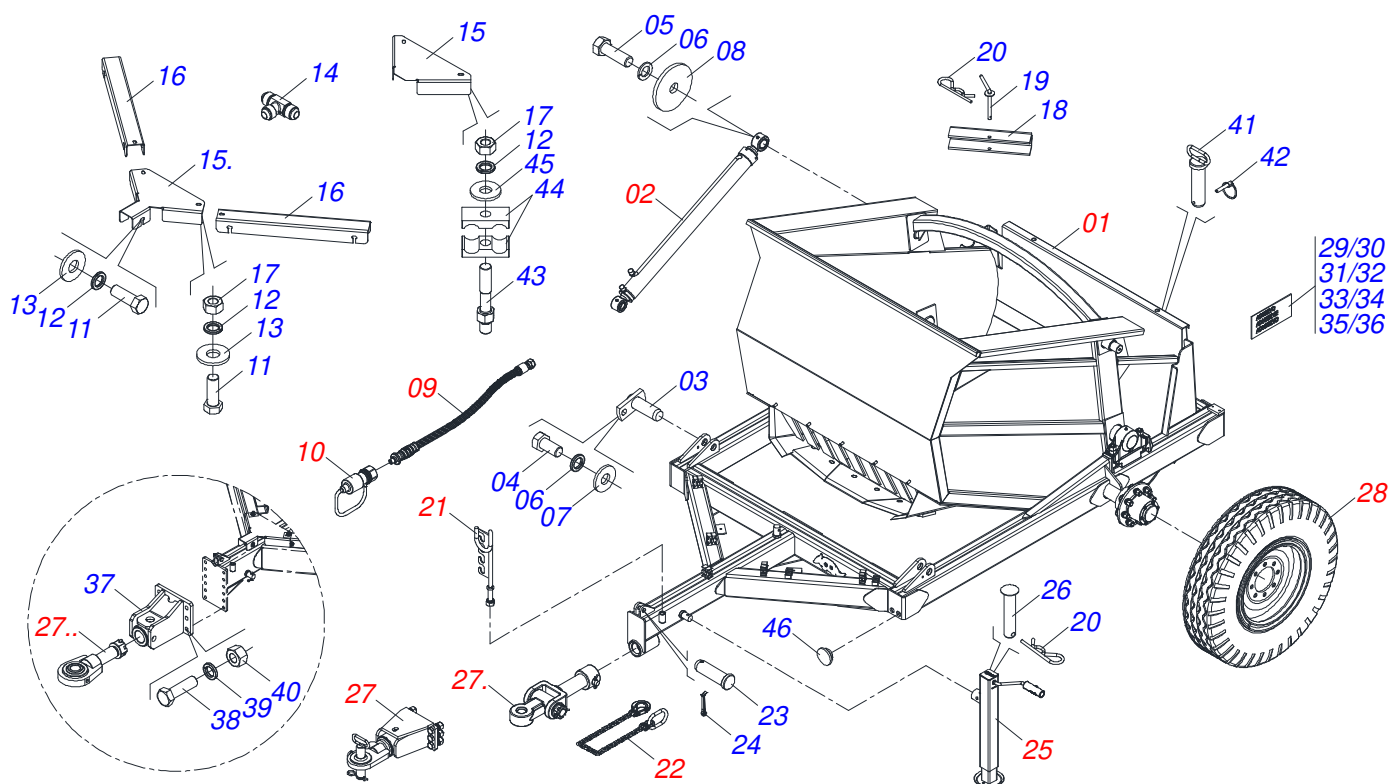
Marchesan S.A. reserves the right to improve and/or modify the technical features of its products, without obligation to do the same with those products already sold and without prior knowledge of the dealer or the customer. The photos are only illustrative.



**MARCHESAN**

# INDEX

0909096716	ASSY FRAME - 2/3/4/5/7	.....	1
0541051044	SEMI-ASSEMBLED FRAME - 2	.....	2
0541050180	SEMI-ASSEMBLED FRAME - 3	.....	3
0531059075	SEMI-ASSEMBLED FRAME - 4	.....	4
0501050226	FLIP ASSY	.....	5
0501051142	CARRYING WHEEL HUB	.....	6
0501052497	CARRYING WHEEL HUB ASSY	.....	7
0541050197	SEMI-ASSEMBLED FRAME - 5	.....	8
0541050206	SEMI-ASSEMBLED FRAME - 7	.....	9
0531045069	FLOODGATES FIXING BASE	.....	10
0541050086	WHEEL HUB	.....	11
0541051017	HYDRAULIC CYLINDER	.....	12
0501049597	1.7" X 32" X 48" X 37" HYDRAULIC CYLINDER	.....	13
0541050065	HYDRAULIC CYLINDER	.....	14
0531059096	HOSE SET - 2/3/4	.....	15
0541050199	HOSE SET - 5/7	.....	16
0501053834	MALE QUICK COUPLER	.....	17
0501040364	HOSE SUPPORT ASSEMBLY	.....	18
0503062157	DRAWBAR JACK	.....	19
0531045229	ASSY HITCH	.....	20
0511050685	ASSY HITCH	.....	21
0501057851	POINT HITCH WITH ASSY JOINT	.....	22
0511059647	WHEEL AND TIRE ASSY	.....	23
0503060213	WHEEL WITH TIRE 35.4" X 0.80" / 14 CANVAS	.....	24
0521055981	WHEEL WITH TIRE 15 X 19.50 / 14 CANVAS	.....	25
0541050084	WHEEL WITH TIRE 14.00-24 / 12 CANVAS	.....	26
0541050085	WHEEL WITH TIRE 14.00-24 / 16 CANVAS	.....	27

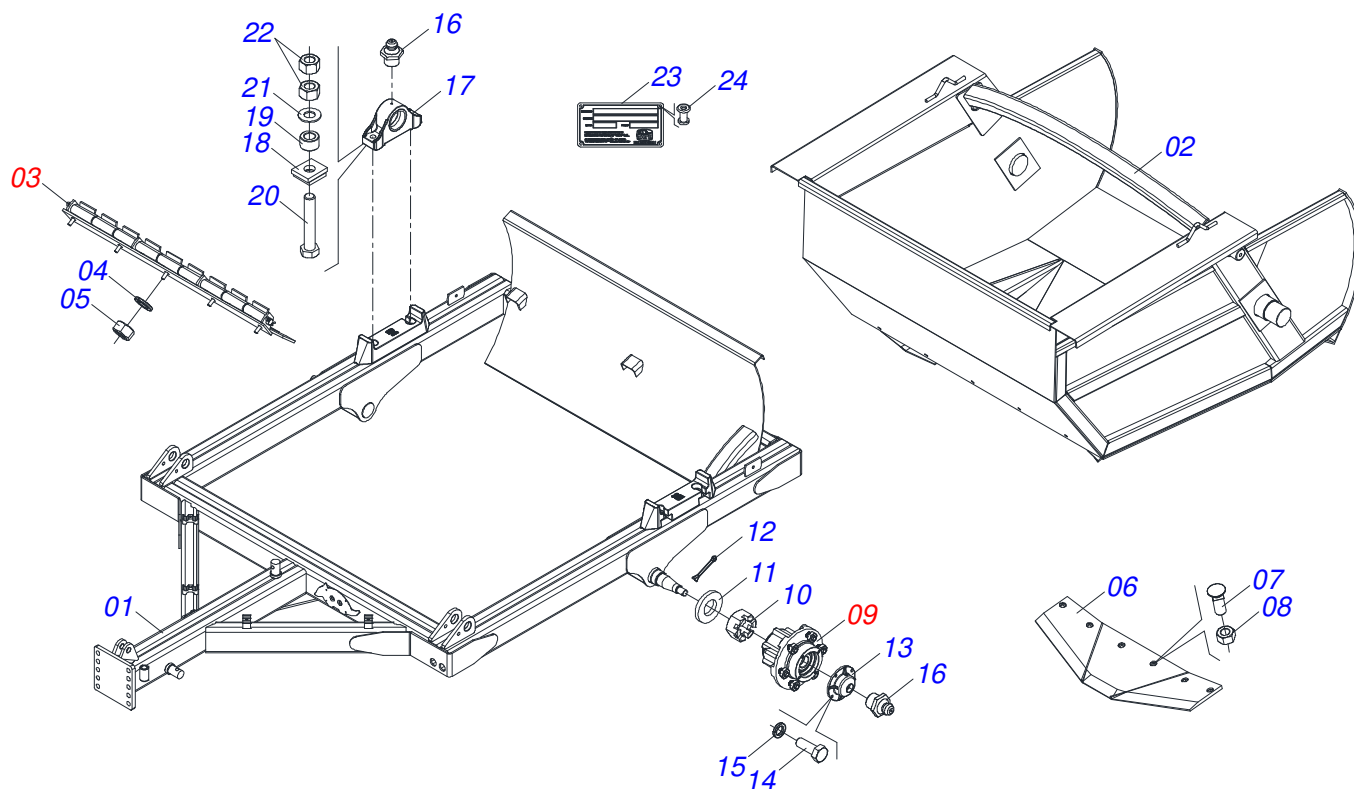


Item	Code	Description	See page	STA2	STA3	STA4	STA5	STA7
01	0541051044	SEMI-ASSEMBLED FRAME - 2	2	01	00	00	00	00
01.	0541050180	SEMI-ASSEMBLED FRAME - 3	3	00	01	00	00	00
01..	0531059075	SEMI-ASSEMBLED FRAME - 4	4	00	00	01	00	00
01...	0541050197	SEMI-ASSEMBLED FRAME - 5	8	00	00	00	01	00
01....	0541050206	SEMI-ASSEMBLED FRAME - 7	9	00	00	00	00	01
02	0541051017	HYDRAULIC CYLINDER	12	02	00	00	00	00
02.	0501049597	1.7" X 32" X 48" X 37" HYDRAULIC CYLINDER	13	00	02	02	00	00
02..	0541050065	HYDRAULIC CYLINDER	14	00	00	00	02	02
03	0511062927	1.5" X 4.9" PIVOT SHAFT		02	02	02	02	02
04	0503010962	5/8" X 1-1/4" BOLT		02	02	02	02	02
05	0503011267	BOLT 5/8" UNC X 1.1/2 C S G.5 ZN		02	02	02	02	02
06	0503010027	5/8 SPRING WASHER		04	04	04	04	04
07	0501012140	FLAT WASHER 16,50 X 40 X 4,00 ZN		02	02	02	02	02
08	0501010145	FLAT WASHER		02	02	02	02	02
09	0531059096	HOSE SET - 2/3/4	15	01	01	01	00	00
09.	0541050199	HOSE SET - 5/7	16	00	00	00	01	01
10	0501053834	MALE QUICK COUPLER	17	02	02	02	02	02
11	0501011534	7/16" X 1-1/4" BOLT		00	12	12	12	12
12	0503010180	7/16" SPRING WASHER		04	12	12	14	14
13	0511017302	FLAT WASHER 13,50 X 32,50 X 3,0 ZN		00	12	12	14	14
14	0503013493	T CONNECTION MALE		02	02	02	02	02
15	0501313611	PROTECTION CASE		01	00	00	00	00
15.	0501311528	PROTECTION CASE		00	01	01	01	01
16	0501313606	PROTECTION CASE		02	00	00	00	00
16.	0501311678	PROTECTION CASE		00	02	02	00	00
16..	0501311479	PROTECTION CASE		00	00	00	02	02
17	0503010244	7/16" NUT		04	02	02	02	02
18	0501217728	LOCK FOR TRANSPORTATION		02	02	02	02	02
19	0501068994	8,30 X 78 LOCK PIN		02	02	02	02	02
20	0503030168	HITCH PIN CLIP		03	03	03	03	03
21	0501040364	HOSE SUPPORT ASSEMBLY	18	01	01	01	01	01
22	0503013150	1300 X 3/8" CHAIN		01	01	01	01	01

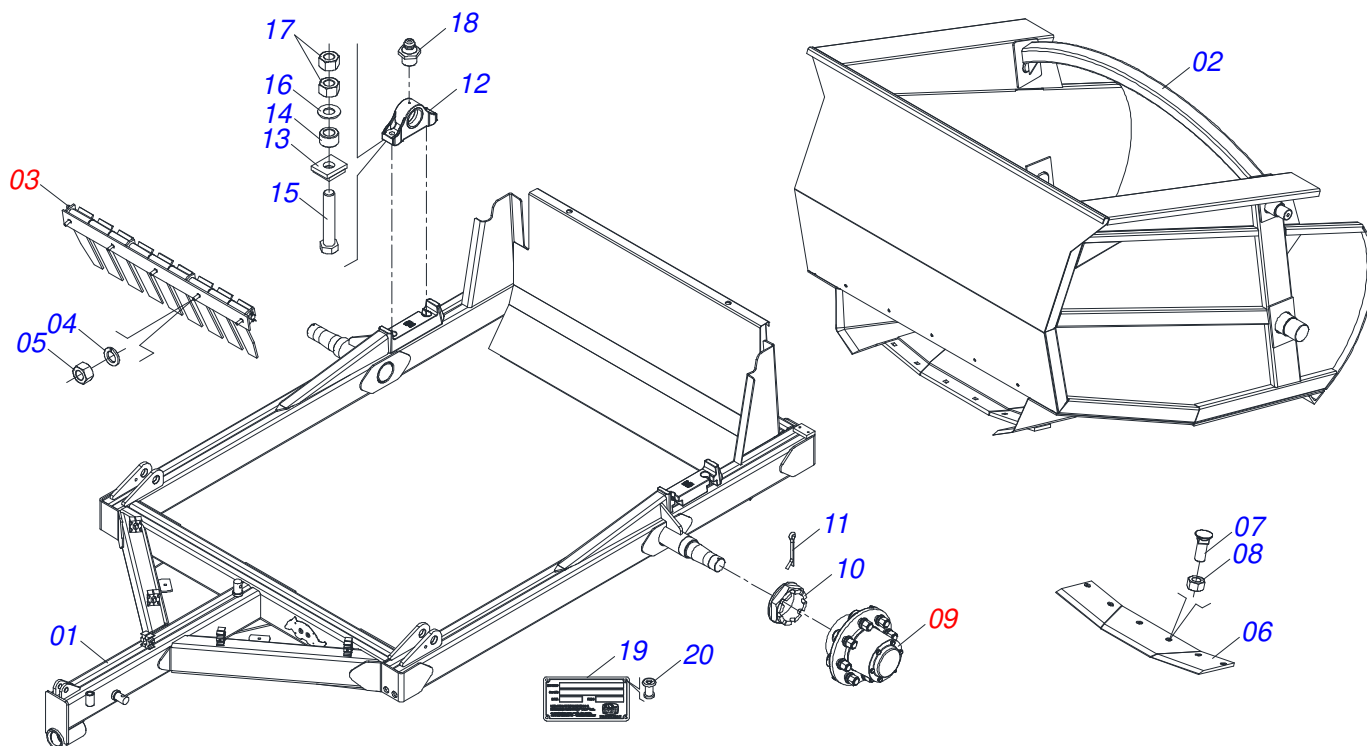


STA 2/3/4/5/7  
ASSY FRAME - 2/3/4/5/7

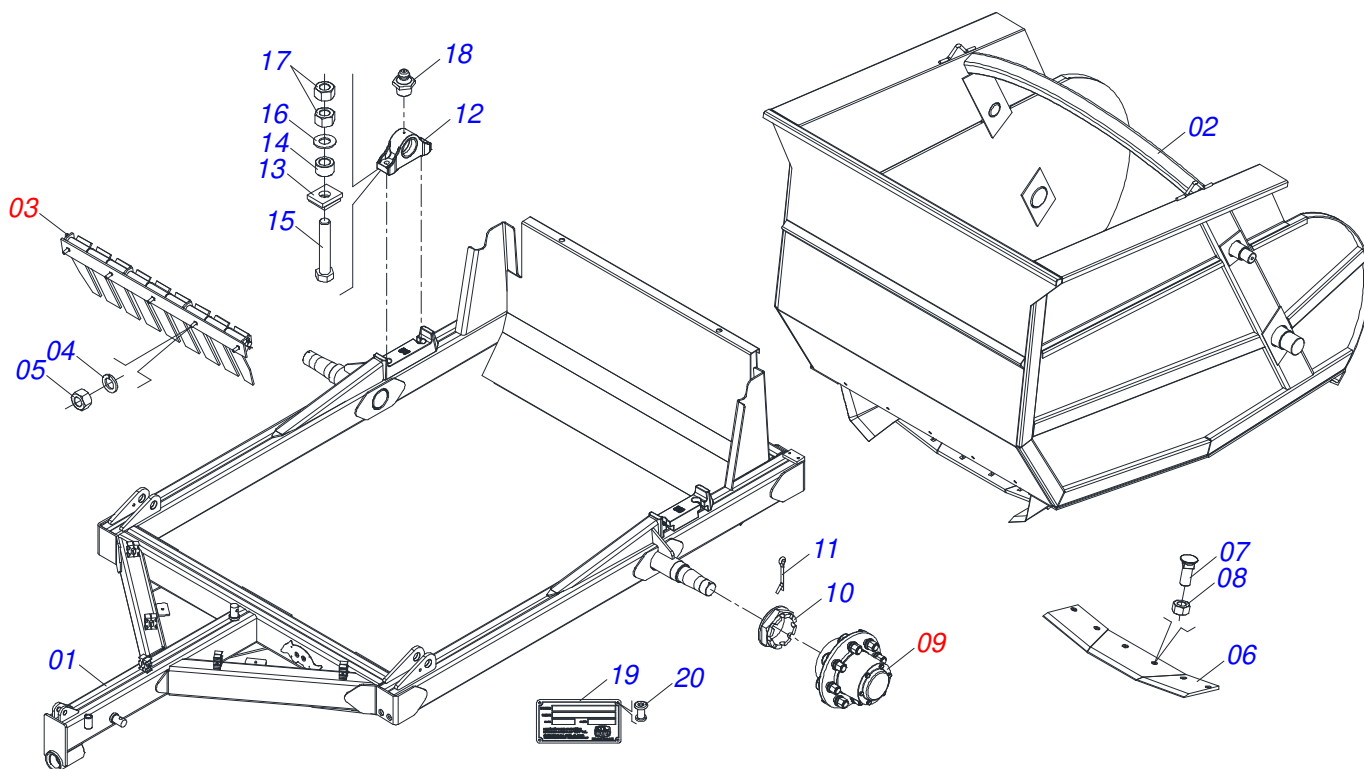
Item	Code	Description	See page	STA2	STA3	STA4	STA5	STA7
23	0581011220	COUPLING SHAFT		01	01	01	01	01
24	0503010131	3/16" X 1.1/2" SPLIT PIN		01	01	01	01	01
25	0503062157	DRAWBAR JACK	19	01	01	01	01	01
26	0521010549	COUPLING SHAFT		01	01	01	01	01
27	0531045229	ASSY HITCH	20	01	00	00	00	00
27.	0511050685	ASSY HITCH	21	00	01	01	00	00
27..	0501057851	POINT HITCH WITH ASSY JOINT	22	00	00	00	01	01
28	0511059647	WHEEL AND TIRE ASSY	23	02	00	00	00	00
28.	0503060213	WHEEL WITH TIRE 35.4" X 0.80" / 14 CANVAS	24	00	02	00	00	00
28..	0521055981	WHEEL WITH TIRE 15 X 19.50 / 14 CANVAS	25	00	00	02	00	00
28...	0541050084	WHEEL WITH TIRE 14.00-24 / 12 CANVAS	26	00	00	00	02	00
28....	0541050085	WHEEL WITH TIRE 14.00-24 / 16 CANVAS	27	00	00	00	00	02
29	0503013229	REFLECTIVE SIDE BAND		10	10	10	10	10
30	0503031087	AUTO CONTROL APPROVED DECAL		01	01	01	01	01
31	0503031827	LUBRICATE AND RETIGHTEN DAILY DECAL		01	01	01	01	01
32	0503034078	LIFTING POINTS DECAL		03	03	03	03	03
33	0503036041	TATU LOGO ADHESIVE LABEL		00	01	01	01	01
34	0503036042	TATU LOGO ADHESIVE LABEL		02	01	01	01	01
35	0503036457	STA2 2022 ADHESIVE LABEL		02	00	00	00	00
35.	0503036303	STA3 2022 FRONT ADHESIVE LABEL		00	01	00	00	00
35..	0503036043	STA4 2022 FRONT ADHESIVE LABEL		00	00	01	00	00
35...	0503036271	STA5 2022 FRONT ADHESIVE LABEL		00	00	00	01	00
35....	0503036273	STA7 2022 FRONT ADHESIVE LABEL		00	00	00	00	01
36	0503036304	STA3 2022 REAR ADHESIVE LABEL		00	01	00	00	00
36.	0503036044	STA4 2022 REAR ADHESIVE LABEL		00	00	01	00	00
36..	0503036272	STA5 2022 REAR ADHESIVE LABEL		00	00	00	01	00
36...	0503036274	STA7 2022 REAR ADHESIVE LABEL		00	00	00	00	01
37	0531066169	HITCH		00	00	00	01	01
38	0503019244	BOLT 3/4 UNC X 2.1/2 C S R P G.8 ZN		00	00	00	06	06
39	0503010023	3/4" SPRING WASHER		00	00	00	06	06
40	0503010014	3/4" ZN G.5 (HEAVY) UNC HEX NUT		00	00	00	06	06
41	0531066156	JOINT PIN		00	00	00	01	01
42	0503034319	LOCK PIN		00	00	00	01	01
43	0581014286	PRISONER		04	00	00	00	00
44	0502010477	HOSE CLAMP		08	00	00	00	00
45	0501012803	FLAT WASHER 12 X 30 X 3,00 ZN		04	00	00	00	00
46	0501313352	LID		04	00	00	00	00



Item	Code	Description	See page	QT
01	0531066638	FRAME		01
02	0531066631	BUCKET		01
03	0501050226	FLIP ASSY	5	01
04	0503010019	1/2" SPRING WASHER		05
05	0503012682	1/2" BSW NUT		05
06	0501313498	SCRAPER		01
07	0501012239	5/8" X 1.3/4" BOLT		06
08	0503010013	5/8 UNC G.5 ZN HEX NUT		06
09	0501051142	CARRYING WHEEL HUB	6	02
10	0503030009	1" CASTLE NUT		02
11	0501016545	FLAT WASHER		02
12	0503010018	5/32" X 1-1/2" SPLIT PIN		02
13	0502020591	PROTECCION COVER		02
14	0503010358	5/16" X 5/8" BOLT		08
15	0503011444	SPRING WASHER 5/16"		08
16	0503010002	1800 GREASE FITTING		04
17	0501110081	BEARING ASSY WITH BUSHING		02
18	0511064919	BEARING SUPPORT SHIM		04
19	0521010967	SLEEVE		04
20	0503012925	7/8" X 5" BOLT		04
21	0501010076	FLAT WASHER		04
22	0503010558	7/8" NUT		08
23	0503034003	61 X 118 SERIAL NUMBER TAG		01
24	0503010001	RIVET 3,2 X 5,5		04

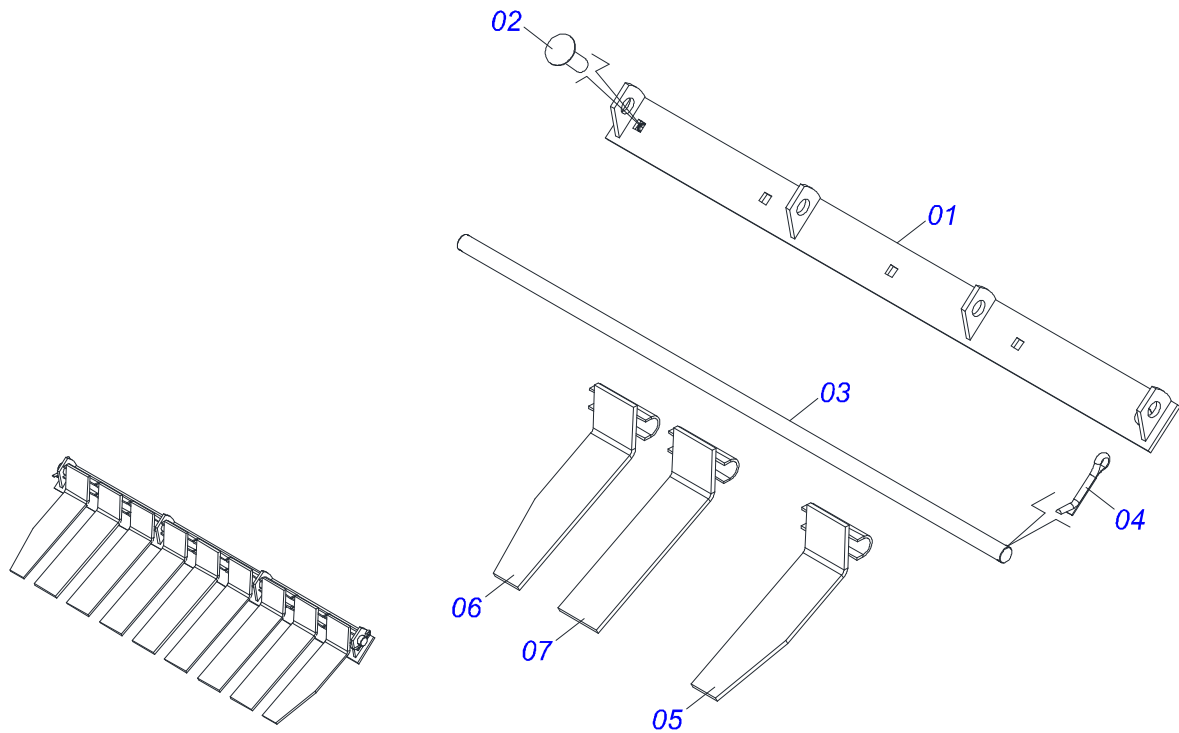


Item	Code	Description	See page	QT
01	0531064845	FRAME		01
02	0531064853	BUCKET		01
03	0501050226	FLIP ASSY	5	01
04	0503010019	1/2" SPRING WASHER		05
05	0503012682	1/2" BSW NUT		05
06	0622360019	SCRAPER		01
07	0501012239	5/8" X 1.3/4" BOLT		06
08	0503010013	5/8 UNC G.5 ZN HEX NUT		06
09	0501052497	CARRYING WHEEL HUB ASSY	7	02
10	0502040080	FLANGE NUT R.2.1/2" UN		02
11	0503012231	1/4" X 3" SPLIT PIN		02
12	0501110081	BEARING ASSY WITH BUSHING		02
13	0511064919	BEARING SUPPORT SHIM		04
14	0521010967	SLEEVE		04
15	0503012925	7/8" X 5" BOLT		04
16	0501010076	FLAT WASHER		04
17	0503010558	7/8" NUT		08
18	0503010002	1800 GREASE FITTING		02
19	0503034003	61 X 118 SERIAL NUMBER TAG		01
20	0503010001	RIVET 3,2 X 5,5		04

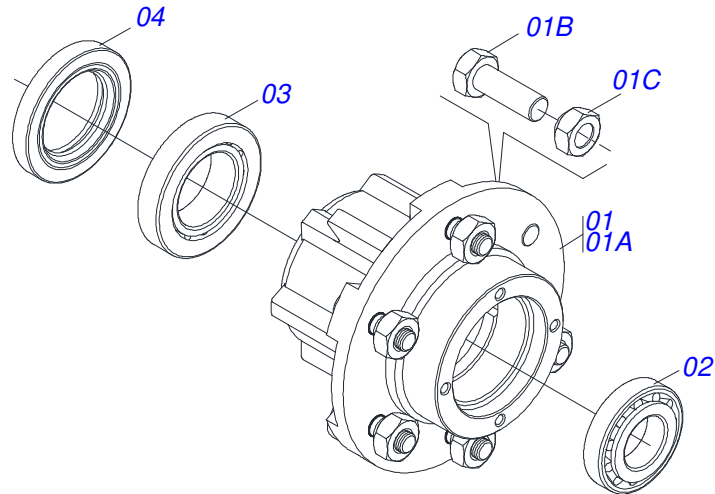


Item	Code	Description	See page	QT
01	0531064845	FRAME		01
02	0531064856	BUCKET		01
03	0501050226	FLIP ASSY	5	01
04	0503010019	1/2" SPRING WASHER		05
05	0503012682	1/2" BSW NUT		05
06	0622360019	SCRAPER		01
07	0501012239	5/8" X 1.3/4" BOLT		06
08	0503010013	5/8 UNC G.5 ZN HEX NUT		06
09	0501052497	CARRYING WHEEL HUB ASSY	7	02
10	0502040080	FLANGE NUT R.2.1/2" UN		02
11	0503012231	1/4" X 3" SPLIT PIN		02
12	0501110081	BEARING ASSY WITH BUSHING		02
13	0511064919	BEARING SUPPORT SHIM		04
14	0521010967	SLEEVE		04
15	0503012925	7/8" X 5" BOLT		04
16	0501010076	FLAT WASHER		08
17	0503010558	7/8" NUT		08
18	0503010002	1800 GREASE FITTING		02
19	0503034003	61 X 118 SERIAL NUMBER TAG		01
20	0503010001	RIVET 3,2 X 5,5		04

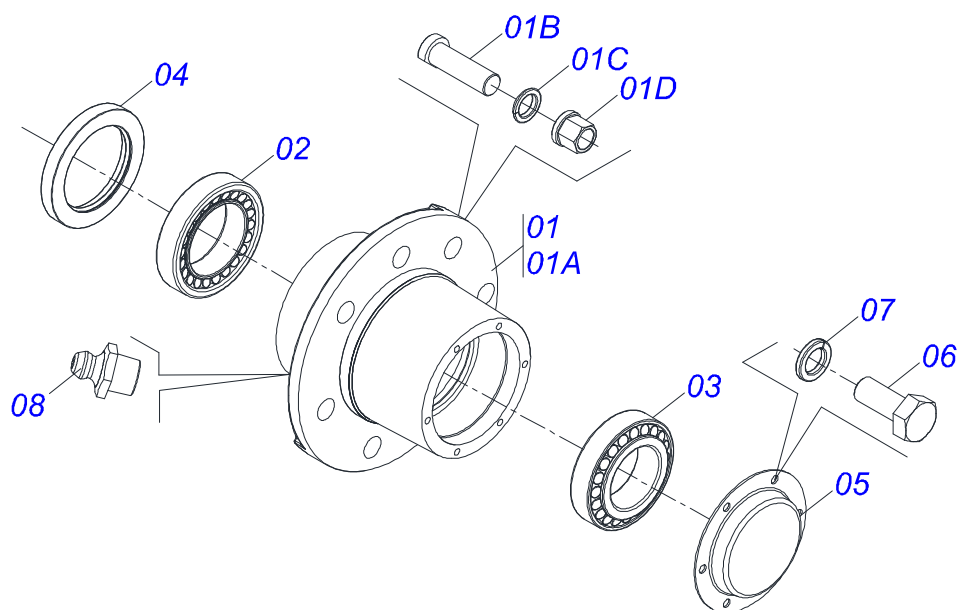




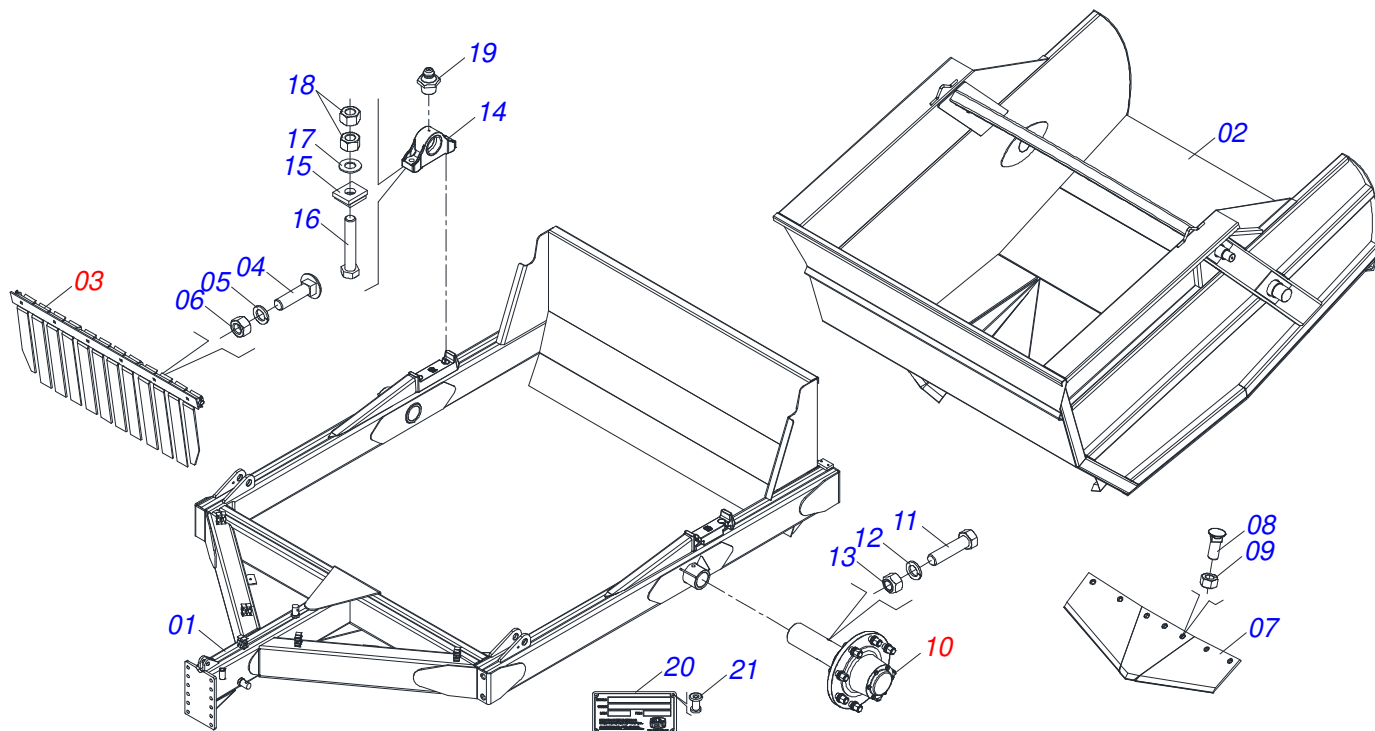
Item	Code	Description	See page	QT
01	0501063158	COVER SUPPORT		01
02	0501010243	1/2" X 1-1/2" BOLT		05
03	0501015053	COVER SHAFT		01
04	0503010571	1/4" X 1.1/2" SPLIT PIN		02
05	0501063707	RIGHT SECTION SUPPORT		01
06	0501063706	LEFT SECTION SUPPORT		01
07	0501063159	SECTION SUPPORT		07



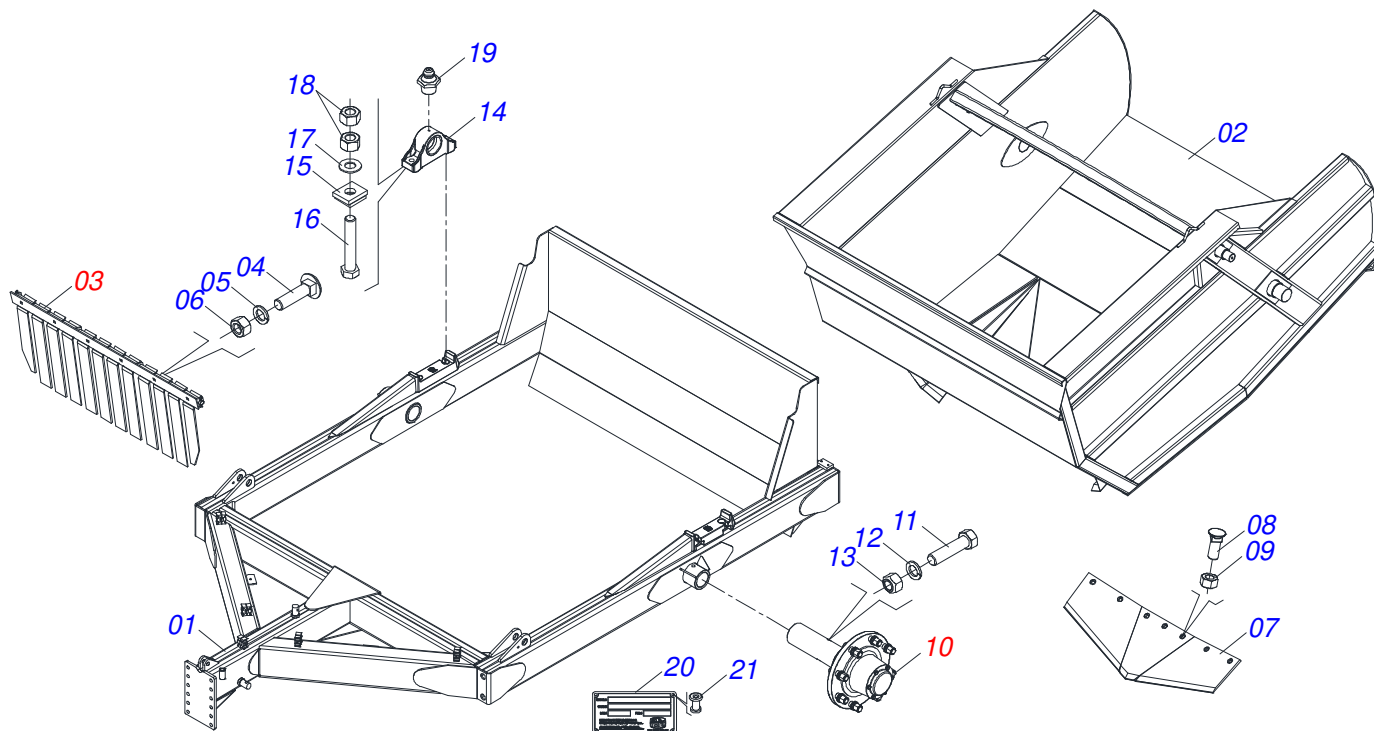
Item	Code	Description	See page	QT
01	0501110728	WHEEL HUB		01
01A	0502011121	CARRYING WHEEL HUB		01
01B	0501010127	9/16" X 1-7/8" LUG BOLT		06
01C	0503010035	9/16" CONIC NUT		06
02	0503010037	30207 ROLLER BEARING		01
03	0503010006	32210 ROLLER BEARING		01
04	0503012928	SEAL		01



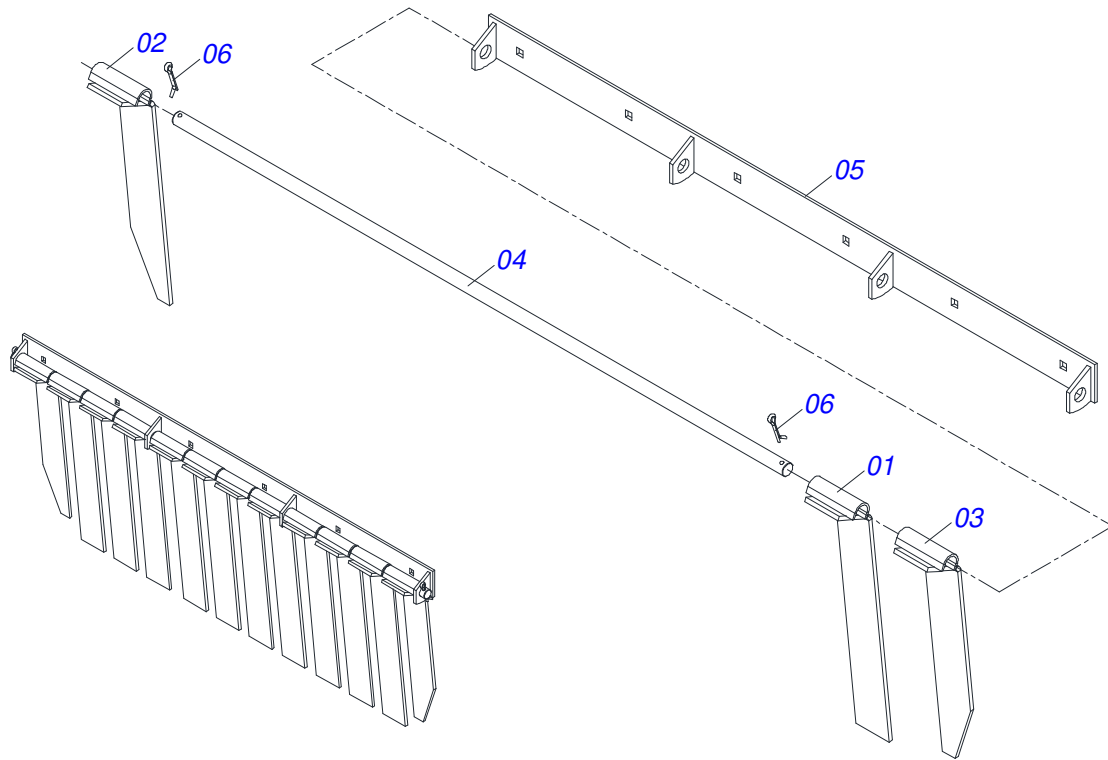
Item	Code	Description	See page	QT
01	0501110751	HUB AND SPINDLE WITH BOLT		01
01A	0502040522	HUB CARRYING-WHEELS		01
01B	0503011339	M22 X 1,5 X 72 BOLT		08
01C	0503011340	SPHERICAL SPRING WASHER		08
01D	0503011341	M22 X 0.6" NUT GR8		08
02	0503010059	33287/33462 ROLLER BEARING		01
03	0503010007	3982/3920 ROLLER BEARING		01
04	0503010050	SEAL 00085-B		01
05	0541013225	WHEEL HUB LID		01
06	0503010240	BOLT		06
07	0503011444	SPRING WASHER 5/16"		06
08	0503010002	1800 GREASE FITTING		01



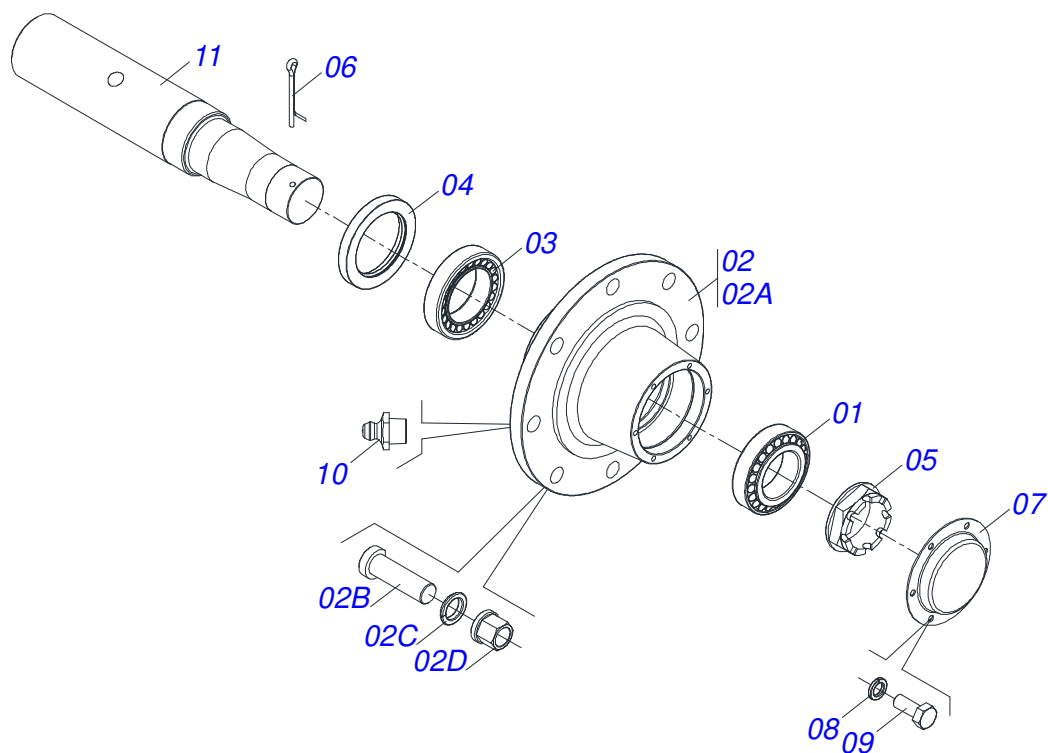
Item	Code	Description	See page	QT
01	0531066174	FRAME		01
02	0531066170	BUCKET		01
03	0531045069	FLOODGATES FIXING BASE	10	01
04	0501010243	1/2" X 1-1/2" BOLT		06
05	0503010019	1/2" SPRING WASHER		06
06	0503012682	1/2" BSW NUT		06
07	0501311662	SCRAPER		01
08	0501012239	5/8" X 1.3/4" BOLT		07
09	0503010013	5/8 UNC G.5 ZN HEX NUT		07
10	0541050086	WHEEL HUB	11	02
11	0503011198	BOLT 3/4" UNC X 6" CS G.5		02
12	0503010023	3/4" SPRING WASHER		02
13	0503010152	3/4" SELF LOCKING NUT		02
14	0501110081	BEARING ASSY WITH BUSHING		02
15	0511064919	BEARING SUPPORT SHIM		04
16	0503012925	7/8" X 5" BOLT		04
17	0501010076	FLAT WASHER		04
18	0503010558	7/8" NUT		08
19	0503010002	1800 GREASE FITTING		02
20	0503034003	61 X 118 SERIAL NUMBER TAG		01
21	0503010001	RIVET 3,2 X 5,5		04



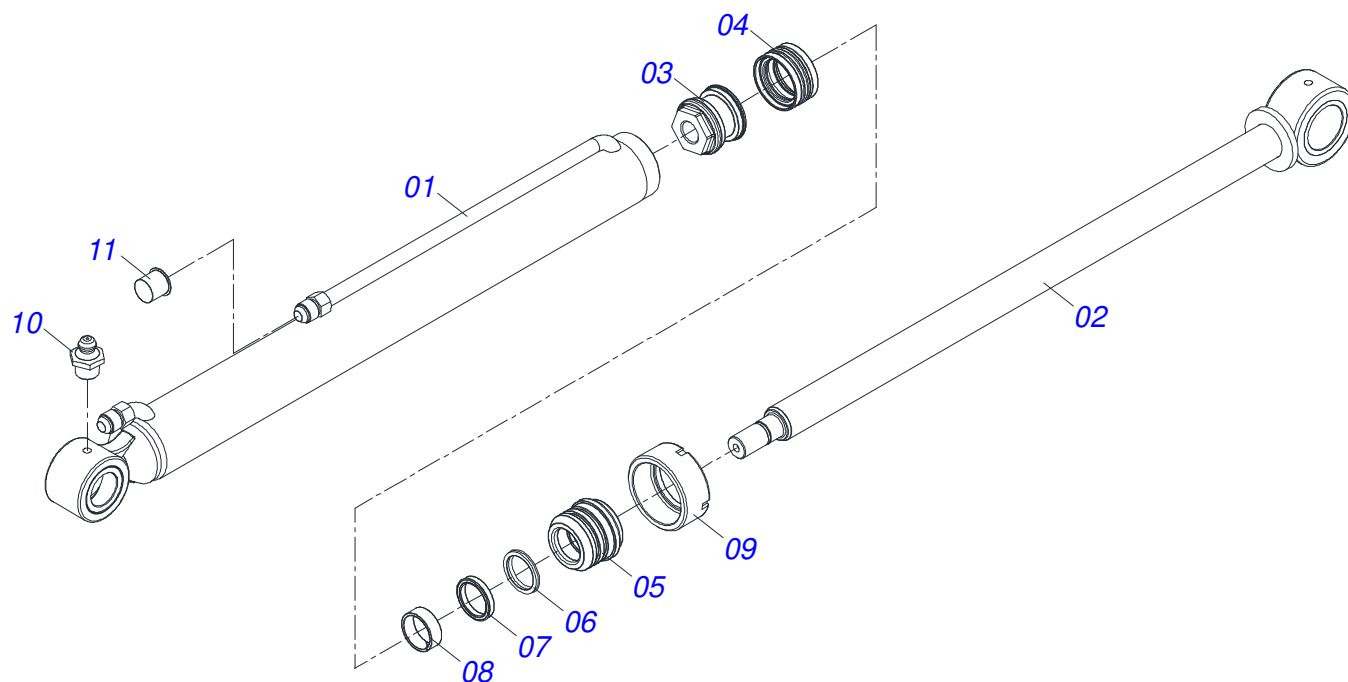
Item	Code	Description	See page	QT
01	0531066174	FRAME		01
02	0531066173	BUCKET		01
03	0531045069	FLOODGATES FIXING BASE	10	01
04	0501010243	1/2" X 1-1/2" BOLT		06
05	0503010019	1/2" SPRING WASHER		06
06	0503012682	1/2" BSW NUT		06
07	0501311662	SCRAPER		01
08	0501012239	5/8" X 1.3/4" BOLT		07
09	0503010013	5/8 UNC G.5 ZN HEX NUT		07
10	0541050086	WHEEL HUB	11	02
11	0503011198	BOLT 3/4" UNC X 6" CS G.5		02
12	0503010023	3/4" SPRING WASHER		02
13	0503010152	3/4" SELF LOCKING NUT		02
14	0501110081	BEARING ASSY WITH BUSHING		02
15	0511064919	BEARING SUPPORT SHIM		04
16	0503012925	7/8" X 5" BOLT		04
17	0501010076	FLAT WASHER		04
18	0503010558	7/8" NUT		08
19	0503010002	1800 GREASE FITTING		02
20	0503034003	61 X 118 SERIAL NUMBER TAG		01
21	0503010001	RIVET 3,2 X 5,5		04



Item	Code	Description	See page	QT
01	0531066186	FLOODGATE CENTRAL BODY		10
02	0531066184	LEFT FLOODGATE BODY		01
03	0531066185	RIGHT FLOODGATE BODY		01
04	0501311663	LID AXLE		01
05	0531066187	FLOODGATES FIXING BASE		01
06	0503010048	1/4" X 1.3/4" SPLIT PIN		02

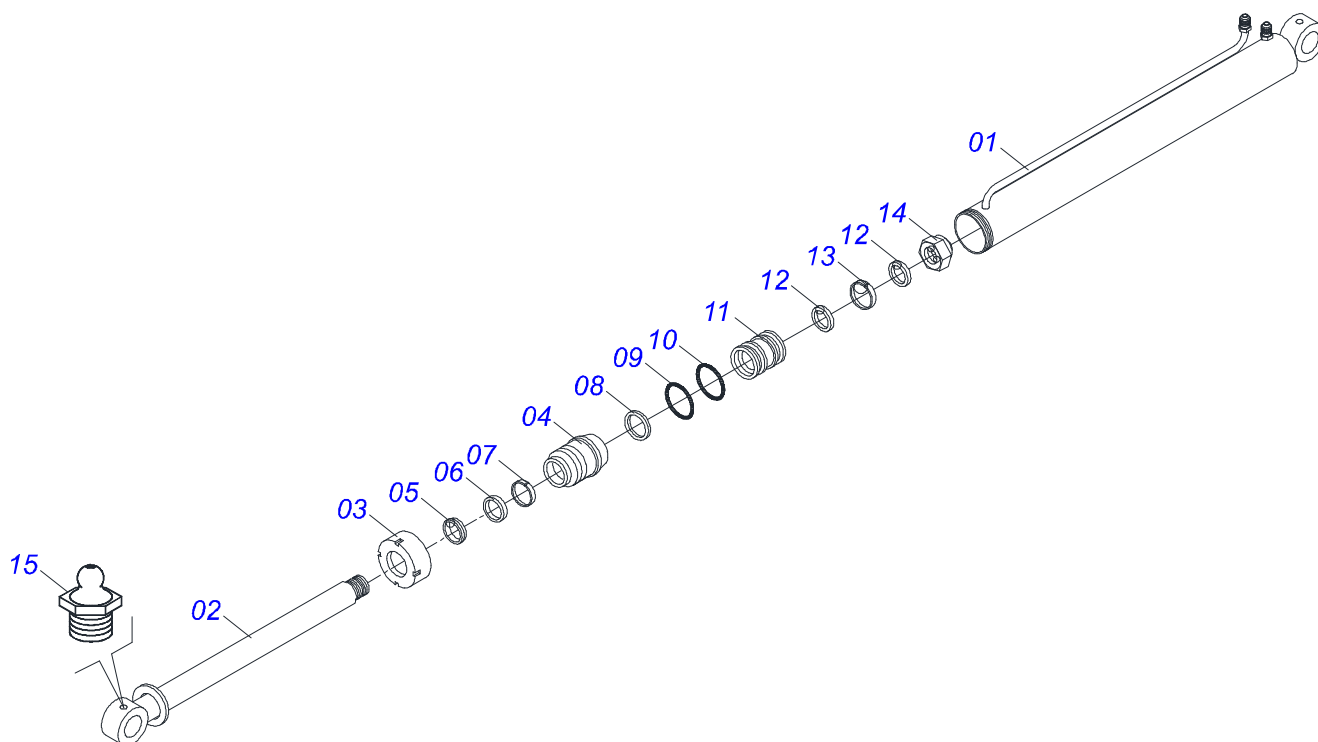


Item	Code	Description	See page	QT
01	0503010007	3982/3920 ROLLER BEARING		01
02	0501110735	HUB CARRYING WHEELS WITH BOLT		01
02A	0502011229	CARRYING WHEEL HUB		01
02B	0503011339	M22 X 1,5 X 72 BOLT		08
02C	0503011340	SPHERICAL SPRING WASHER		08
02D	0503011341	M22 X 0.6" NUT GR8		08
03	0503010059	33287/33462 ROLLER BEARING		01
04	0503010050	SEAL 00085-B		01
05	0502040080	FLANGE NUT R.2.1/2" UN		01
06	0503011345	1/4" X 3.1/2" SPLIT PIN		01
07	0541013225	WHEEL HUB LID		01
08	0503011444	SPRING WASHER 5/16"		06
09	0503010240	BOLT		06
10	0503010002	1800 GREASE FITTING		01
11	0501311534	SHAFT TIP		01

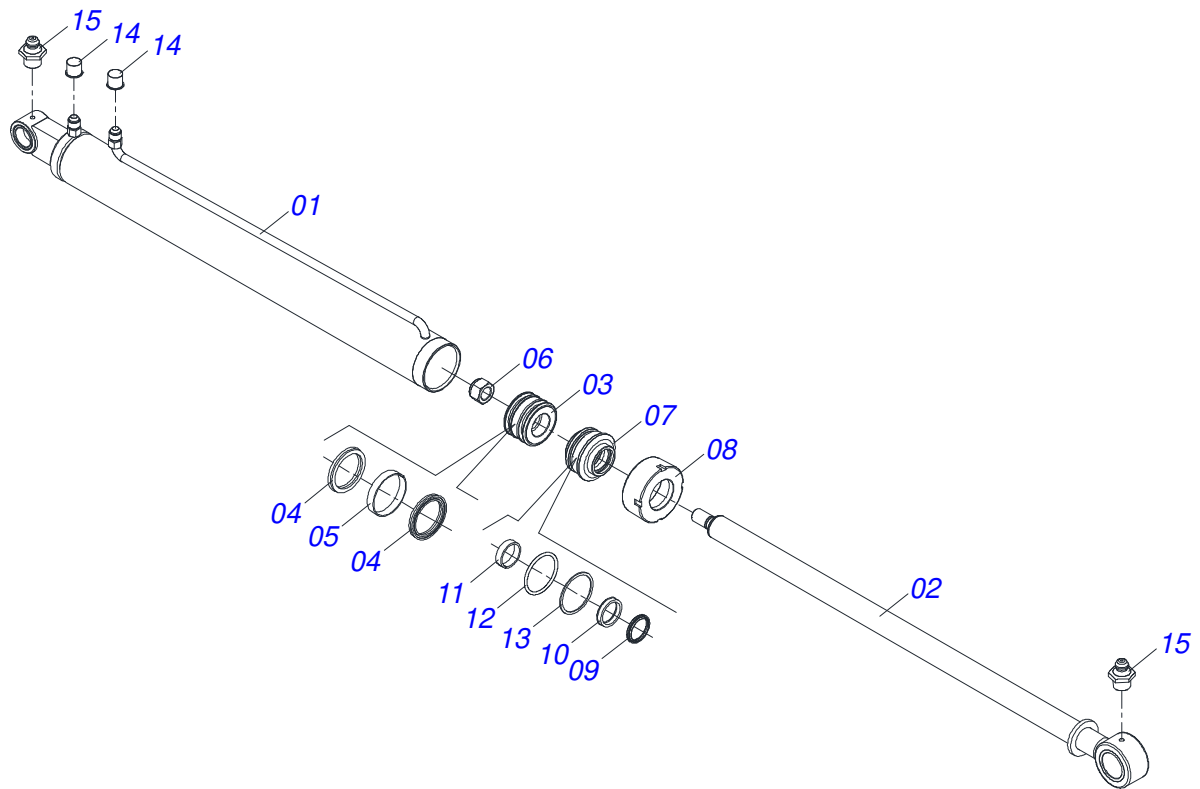


Item	Code	Description	See page	QT
01	0531066610	CYLINDER BARREL		01
02	0531066608	PISTON ROD		01
03	0502012837	PISTON		01
04	0503018005	RING		01
05	0581010668	RING SUPPORT		01
06	0503010163	D-1500 SCRAPER RING		01
07	0503018003	GASKET		01
08	0503018004	RING		01
09	0502010471	63,50 MOBILE CAP		01
10	0503010002	1800 GREASE FITTING		02
11	0503030387	PLUG		02

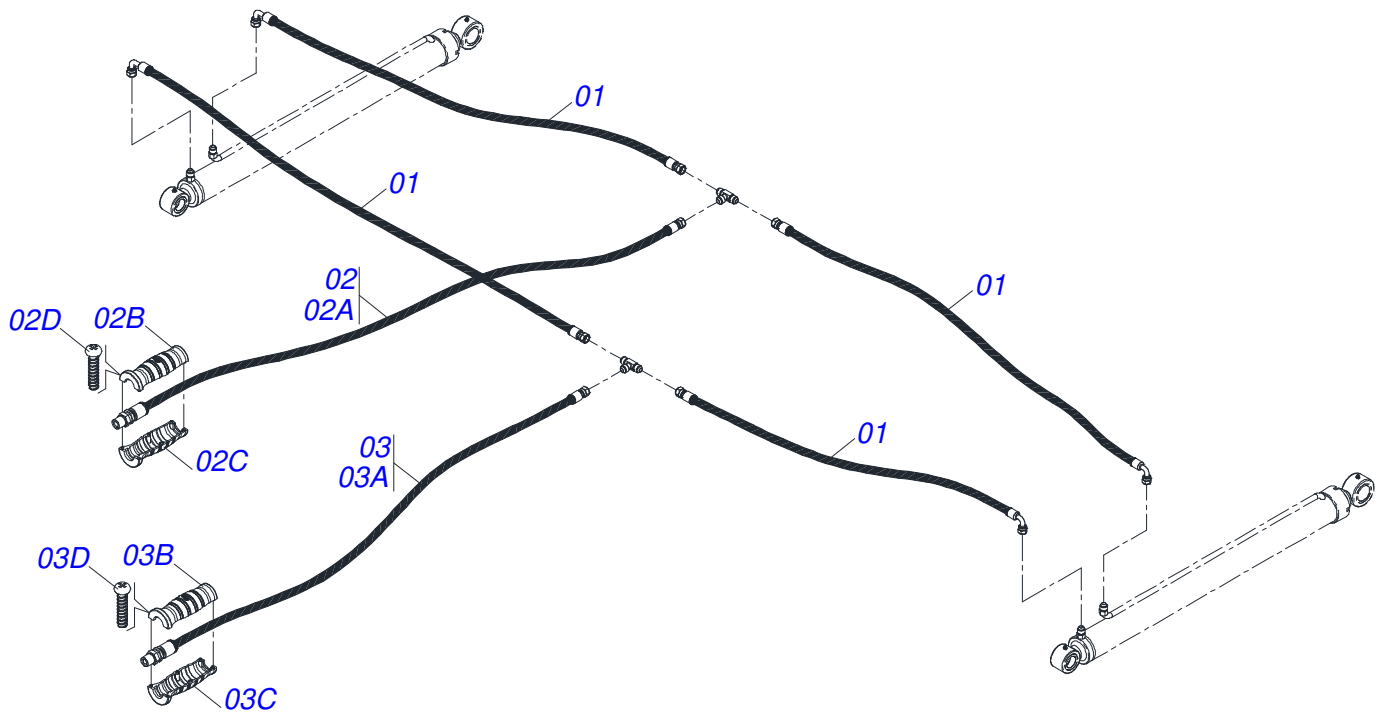




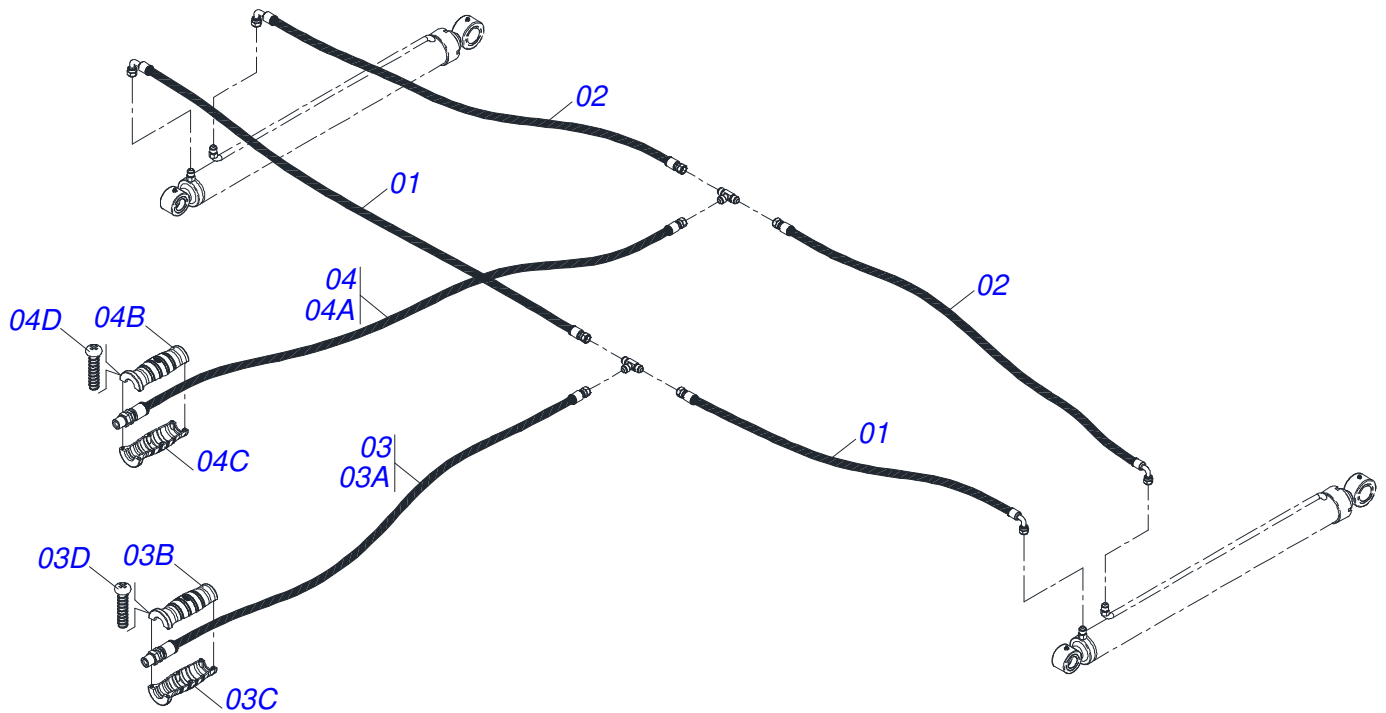
Item	Code	Description	See page	QT
01	0511061941	3" X 44" CYLINDER CASE		01
02	0501068959	HYDRAULIC CYLINDER TURNBUCKLE		01
03	0502011899	MOBILE LID		01
04	0502011898	1.8" X 3.0" PISTON		01
05	0503010761	D-1750 SCRAPER RING		01
06	0503010990	GASKET		01
07	0503010949	W2-2000-500 PK RING G.E		01
08	0503011059	8-334 BACK-UP RING		01
09	0503010343	2-334 N 3006-9B O'RING		01
10	0503010345	2-218 N 3006-9B O'RING		01
11	0502011897	RING SUPPORT		01
12	0503012768	3750-2250 GASKET		02
13	0503010992	3 X 3 X 1/2 W2-3000-500 PK RING		01
14	0503010063	1" SELF-ALIGNING NUT		01
15	0503010002	1800 GREASE FITTING		02
16	0501033655	HYDRAULIC CYLINDER REPAIR KIT		01



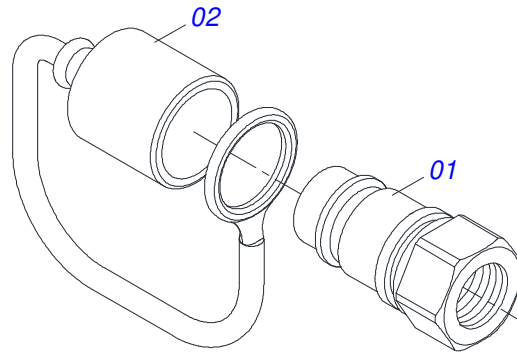
Item	Code	Description	See page	QT
01	0531066168	CYLINDER CASE		01
02	0531066178	CYLINDER ROD		01
03	0502010843	1.8" X 3.4" PISTON		01
04	0503010170	PACKING 3120 2750		02
05	0503010948	W4-3346-590 PK RING G.E		01
06	0503010063	1" SELF-ALIGNING NUT		01
07	0502010781	RING SUPPORT		01
08	0502010993	MOBILE LID		01
09	0503010761	D-1750 SCRAPER RING		01
10	0503010990	GASKET		01
11	0503010949	W2-2000-500 PK RING G.E		01
12	0503010976	2-336 N 3006-9B O'RING		01
13	0503011060	8-336 BACK-UP RING		01
14	0503030387	PLUG		02
15	0503010002	1800 GREASE FITTING		02



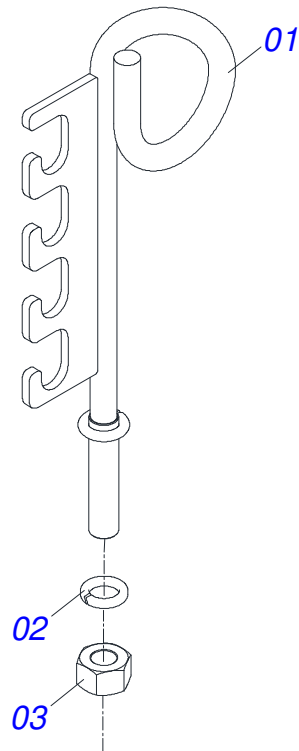
Item	Code	Description	See page	QT
01	0501080030	1/2" X 53.15" TR-TC HOSE		04
02	0541050187	1/2" X 70.87" TR-TM BLACK/BLUE HOSE		01
02A	0501080546	1/2" X 70.87" TR-TM HOSE		01
02B	0503034492	HYDRAULIC HOSE GRIP (BLACK)		01
02C	0503034494	HYDRAULIC HOSE GRIP (BLUE)		01
02D	0503018952	PH 2,5 X 10 ZB PLASTIC BOLT		06
03	0541050185	1/2" X 70.87" TR-TM BLACK/RED HOSE		01
03A	0501080546	1/2" X 70.87" TR-TM HOSE		01
03B	0503034492	HYDRAULIC HOSE GRIP (BLACK)		01
03C	0503034495	HYDRAULIC HOSE GRIP (RED)		01
03D	0503018952	PH 2,5 X 10 ZB PLASTIC BOLT		06



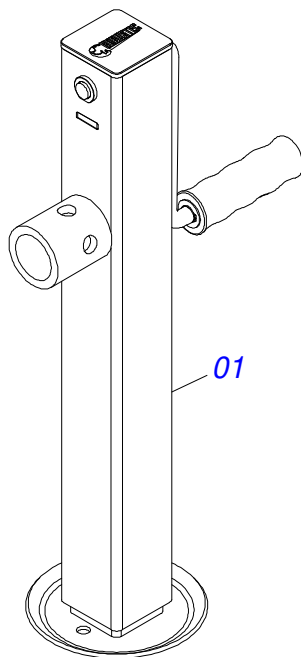
Item	Code	Description	See page	QT
01	0501080060	1/2" X 63" TR-TC HOSE		02
02	0501080061	1/2" X 66.93" TR-TC HOSE		02
03	0541050200	1/2" X 78.74" TR-TM BLACK/RED HOSE		01
03A	0501080073	1/2" X 78.74" TR-TM HOSE		01
03B	0503034492	HYDRAULIC HOSE GRIP (BLACK)		01
03C	0503034495	HYDRAULIC HOSE GRIP (RED)		01
03D	0503018952	PH 2,5 X 10 ZB PLASTIC BOLT		06
04	0541050201	1/2" X 78.74" TR-TM BLACK/BLUE HOSE		01
04A	0501080073	1/2" X 78.74" TR-TM HOSE		01
04B	0503034492	HYDRAULIC HOSE GRIP (BLACK)		01
04C	0503034494	HYDRAULIC HOSE GRIP (BLUE)		01
04D	0503018952	PH 2,5 X 10 ZB PLASTIC BOLT		06



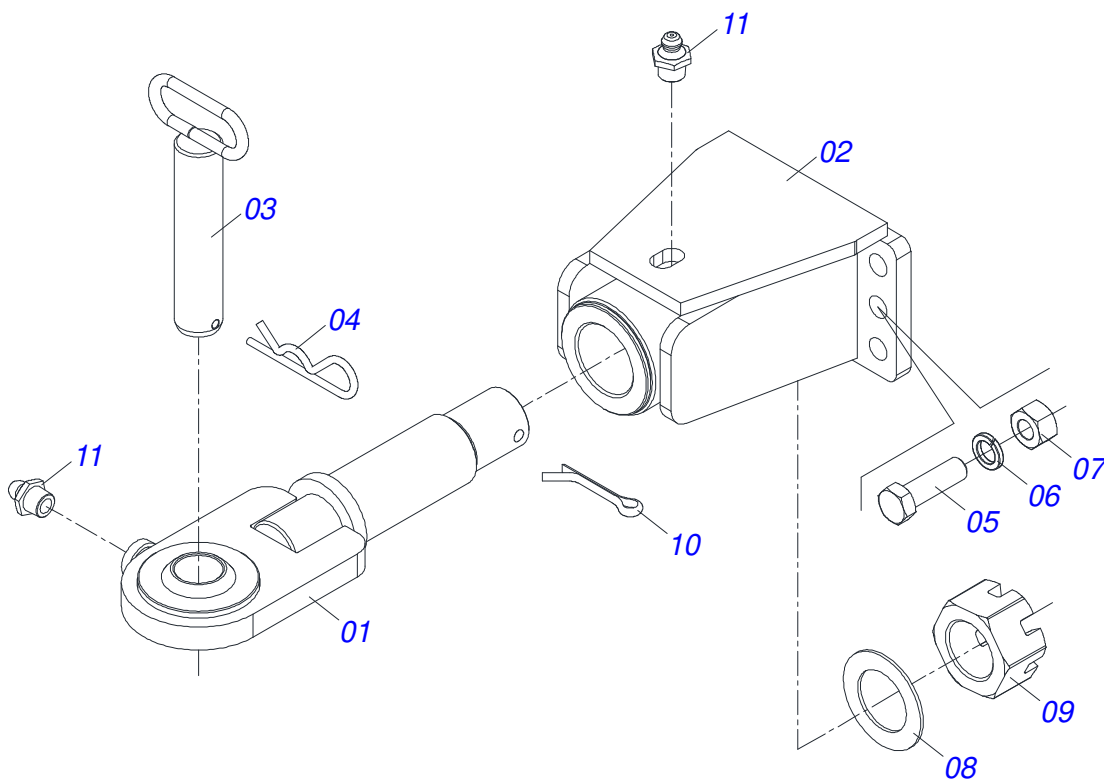
Item	Code	Description	See page	QT
01	0503011627	MALE QUICK COUPLER AGR 1/2 NPT		01
02	0503011882	MALE QUICK COUPLER CAP		01



Item	Code	Description	See page	QT
01	0501060409	HOSE SUPPORT ASSY		01
02	0503011442	3/4" SPRING WASHER		01
03	0503010014	3/4" ZN G.5 (HEAVY) UNC HEX NUT		01

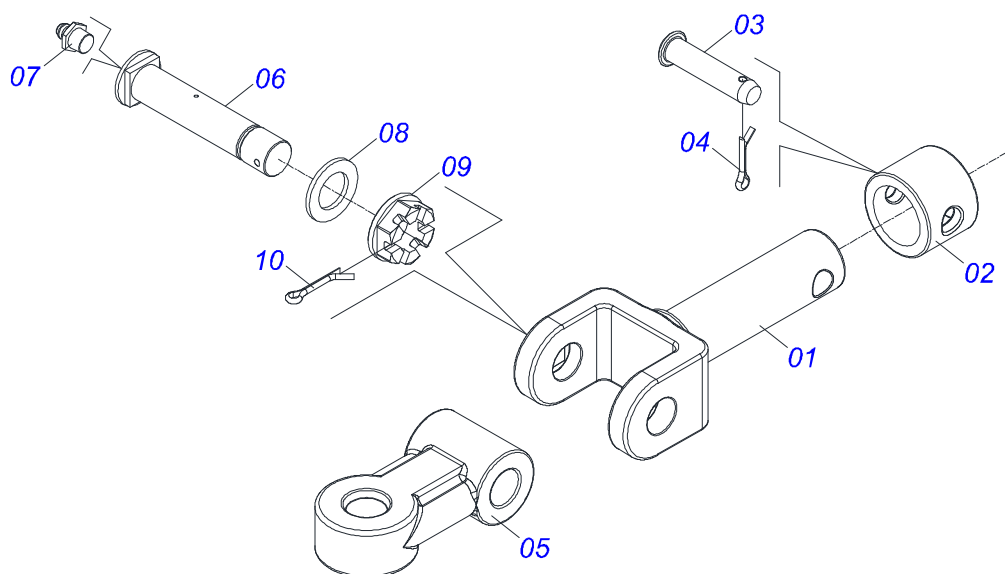


Item	Code	Description	See page	QT
01	0503062157	DRAWBAR JACK	19	01

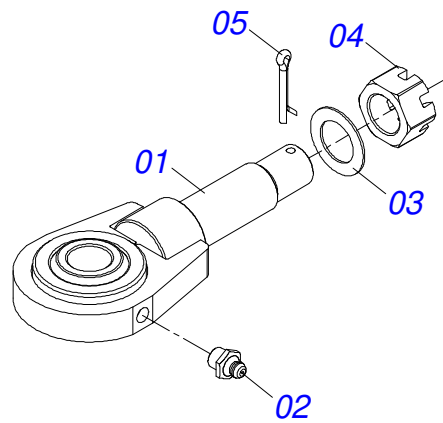


Item	Code	Description	See page	QT
01	0531066611	TRACTOR HITCH		01
02	0531066613	HITCH		01
03	0521064049	HITCH PIN		01
04	0503031035	HITCH PIN CLIP		01
05	0503013390	3/4" UNC BOLT		06
06	0503010023	3/4" SPRING WASHER		06
07	0503010014	3/4" ZN G.5 (HEAVY) UNC HEX NUT		06
08	0551016955	FLAT WASHER		01
09	0503012809	2" CASTLE NUT		01
10	0503010073	3/8" X 3.1/2" SPLIT PIN		01
11	0503010002	1800 GREASE FITTING		02

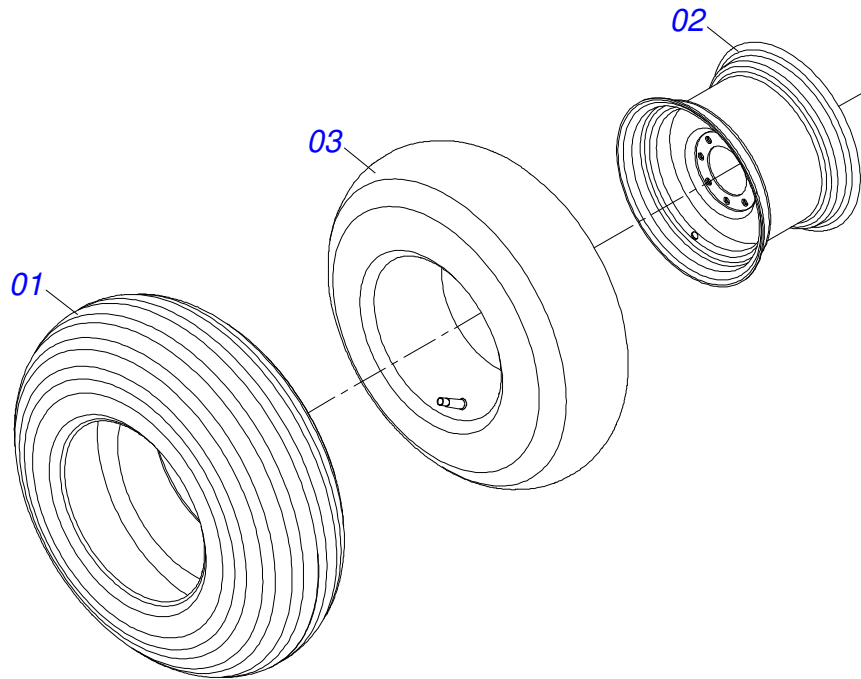




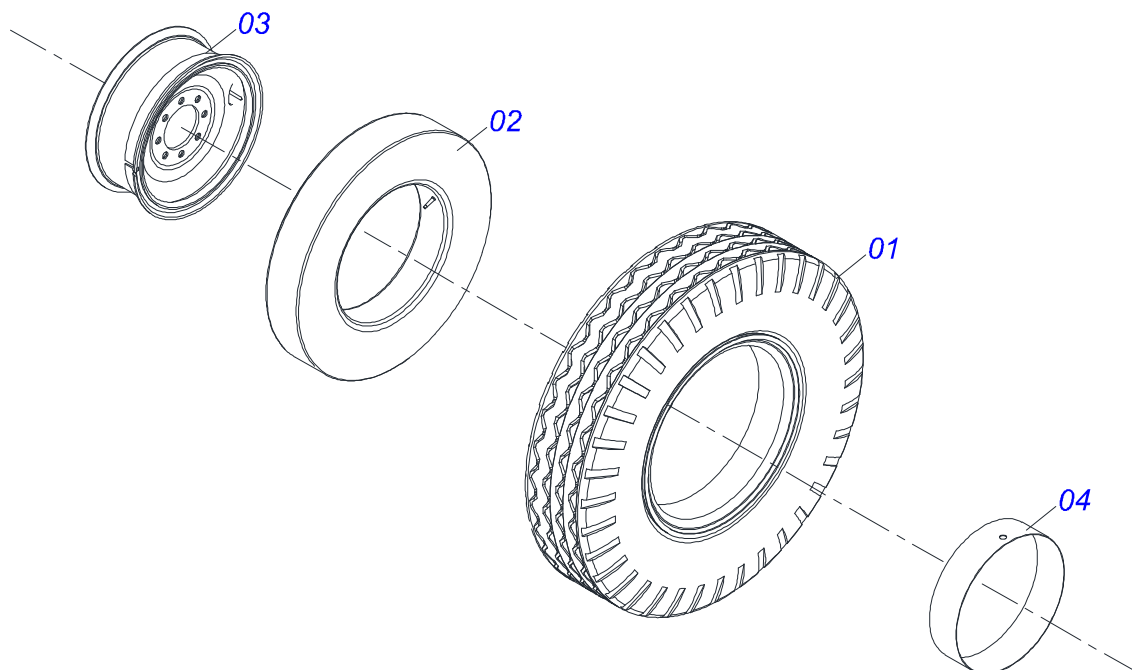
Item	Code	Description	See page	QT
01	1902040822	U HITCH TRACTOR		01
02	1902040327	LOCK SLEEVE		01
03	0521010578	COUPLING SHAFT		01
04	0503010571	1/4" X 1.1/2" SPLIT PIN		01
05	1902040821	TRACTOR HITCH BODY		01
06	0521012827	1.5" X 7.4" PIVOT SHAFT		01
07	0503010002	1800 GREASE FITTING		01
08	0501012916	FLAT WASHER 40 X 66 X 4,75 ZN		01
09	0501011301	1.1/2" UNC 6FPP 2.5/16" NUT		01
10	0503010010	SPLIT PIN 1/4" X 2.1/2"		01



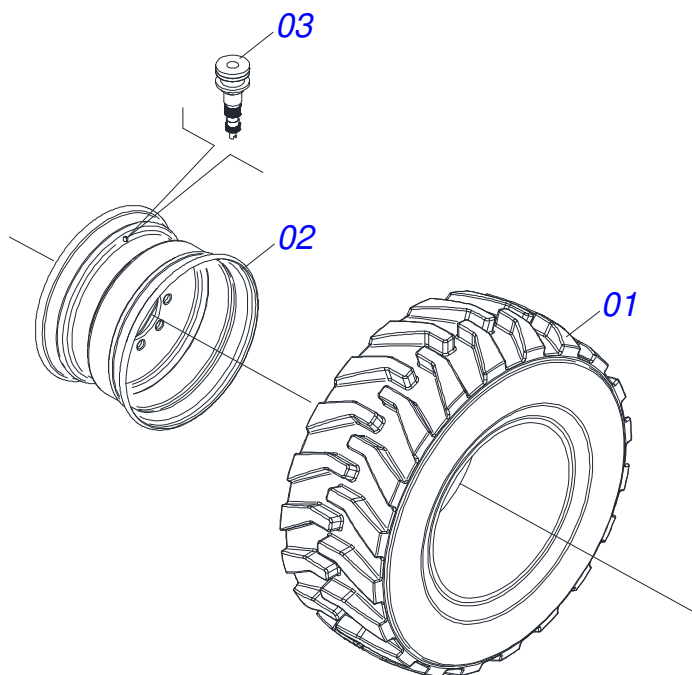
Item	Code	Description	See page	QT
01	0511069038	POINT COUPLING		01
02	0503010002	1800 GREASE FITTING		01
03	0551016955	FLAT WASHER		01
04	0503012809	2" CASTLE NUT		01
05	0503010073	3/8" X 3.1/2" SPLIT PIN		01



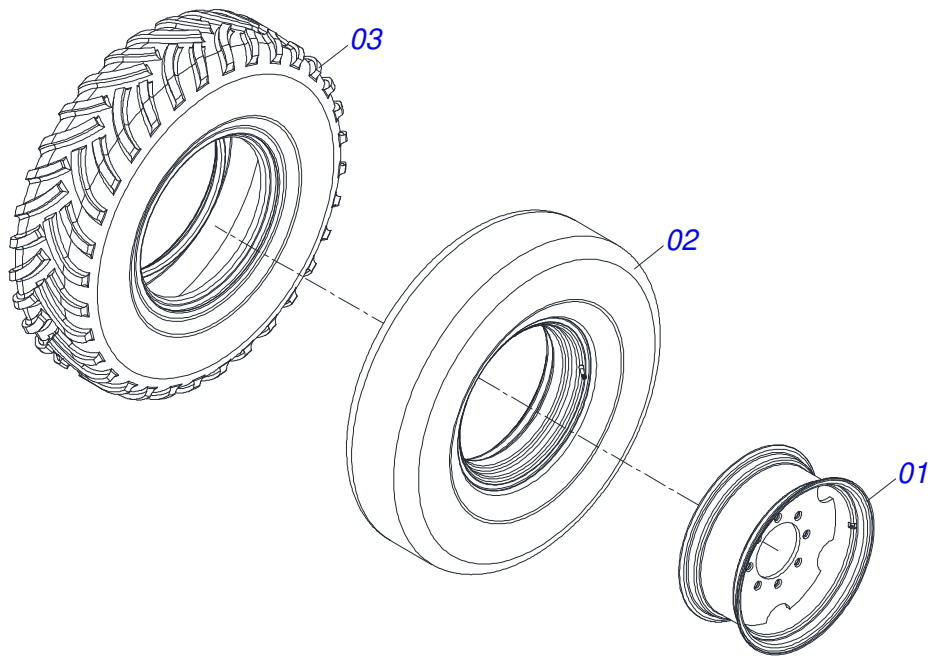
Item	Code	Description	See page	QT
01	0503018533	TIRE 10.5/65 16TT10 (RA28) 428 PIRELLI (892900)		01
02	0503062590	5 W8 X 16 - OFFSET WHEEL		01
03	0503018546	16L540 TR 15CW AIR TUBE WITH VALVE		01



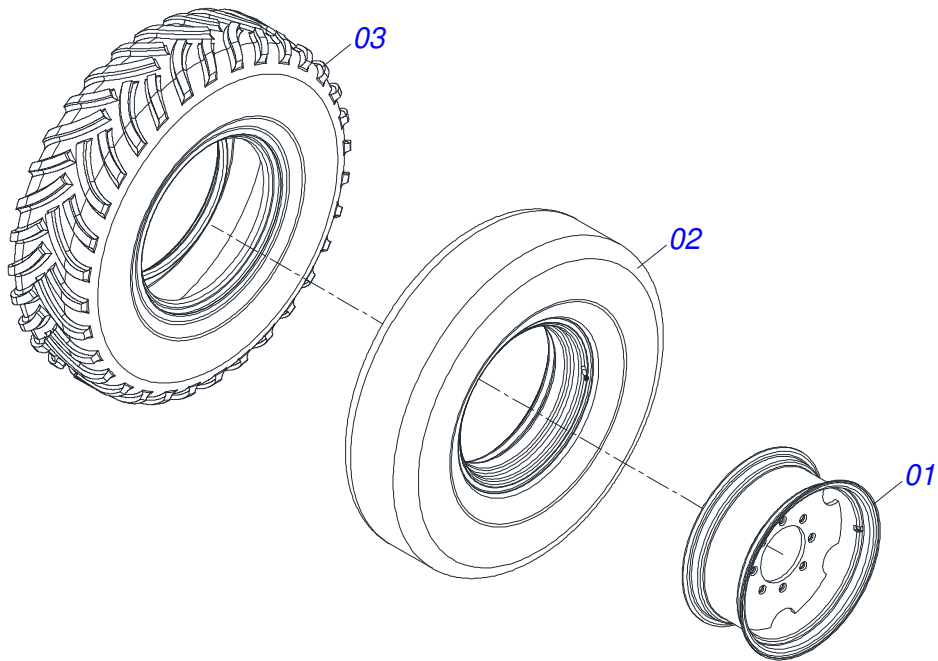
Item	Code	Description	See page	QT
01	0503010494	9.0LX 20" X 14 PLY, TIRE		01
02	0503010057	INNER TIRE		01
03	0501068263	2.6"X0.8"X6.0"X 8F0. 9"X8.0" WHEEL		01
04	0503010470	PROTECTION		01



Item	Code	Description	See page	QT
01	0503018841	DIAGONAL TIRE		01
02	0503034460	WHEEL		01
03	0503013999	VALVE 16MM AGR		01



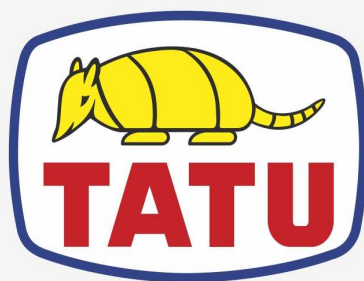
Item	Code	Description	See page	QT
01	0531066155	WHEEL WITH FLANGE		01
02	0513010223	AIR TUBE 14.00-24		01
03	0513010222	TIRE 14.00-24 / 12 CANVAS		01



Item	Code	Description	See page	QT
01	0531066155	WHEEL WITH FLANGE		01
02	0513010223	AIR TUBE 14.00-24		01
03	0513010224	14.00-24 TIRE - 16 CANVAS		01







**MARCHESAN**

**Technical Publications | Elaboration and Revision**

LEONARDO JOSÉ DA SILVA SOUZA

[www.marchesan.com.br](http://www.marchesan.com.br)

