

PARTS CATALOG

ROW CROP PLANTERS

PHT4 SUPREMA

Code: 0501090946



Series: S-0312

Rev.: 00

Date Rev.: SETEMBRO/2012

ORIGINAL PARTS
TATU



PRODUCTS

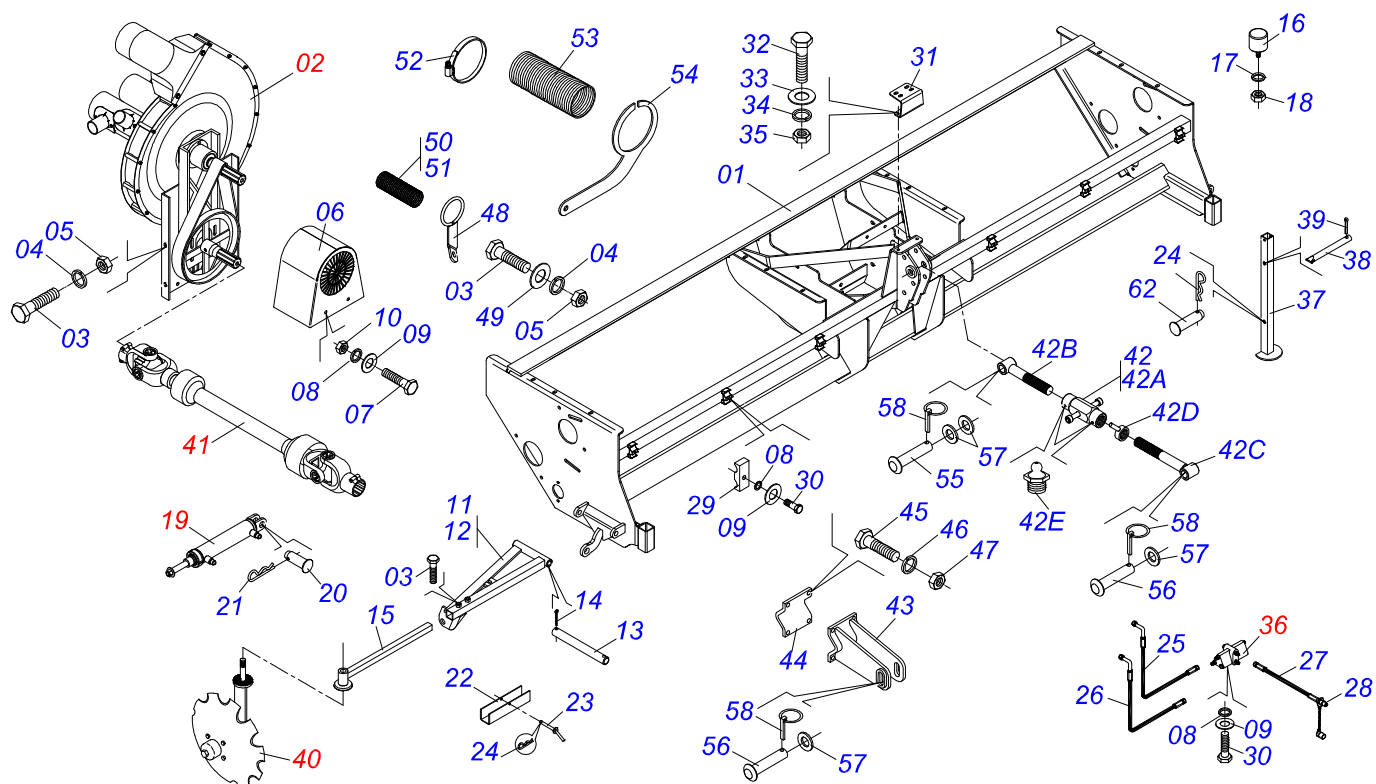
Code	Description
0111330007	PHT4 SUP 7/4 MH S-0312
0111330010	PHT4 SUP 7/4 MH PM100 S-0312
0111330009	PHT4 SUP 7/4 MH S/CX ADB S-0312
0111330002	PHT4 SUP 7/4 MH S/DC S-0312
0111330005	PHT4 SUP 7/6 MH S-0312
0111330006	PHT4 SUP 7/6 S/DC MH S-0312

ATTENTION: **IMPORTANT**

MARCHESAN S/A RESERVES THE RIGHT AT ANY TIME TO MAKE IMPROVEMENTS IN THE DESIGN, MATERIAL OR SPECIFICATIONS OF MACHINERY, EQUIPMENT OR PARTS WITHOUT THEREBY BECOMING LIABLE TO MAKE SIMILAR CHANGES IN MACHINERY, EQUIPMENT OR PARTS PREVIOUSLY SOLD.

INDEX

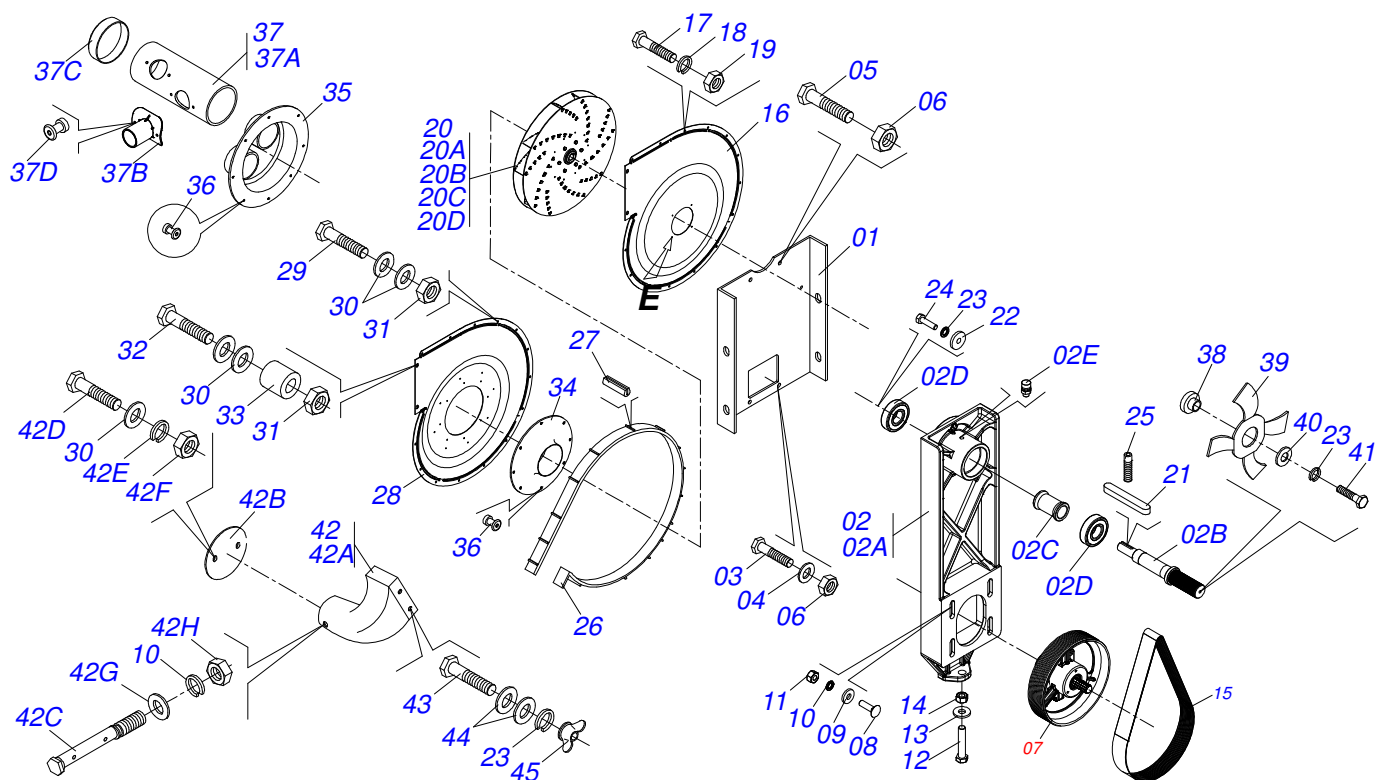
0909094338	FRAME PHT4/SUPREMA 03/12	1
0909094339	CARDAN TURBINE	2
0501053886	PULLEY ASSY WITH FREE ROT	3
0501054649	SEQUENTIAL VALVE ASSY	4
0511041364	DRIVE SHAFT	4
0501050633	DISC ASSY FOR ROW MARKER	5
0909094340	HYDRAULIC CYLINDER	6
0909094361	WHEELS ASSY	7
0909094362	FERTILIZER BEAM SUPPORT	8
0909094363	FERTILIZER GEAR BOX	9
0909094364	SEED GEAR BOX	10
0909094365	SEED ROW	11
0909094366	REAR SEED ROW	12
0909093385	DEPTH CONTROL	13
0909093298	15X15 SEED UNAL DOUB-DISC ASSY	14
0501052627	DEPHT WHEELS BOX	15
0501052538	DEPTH CONTROL WHEEL RUBBER BAND	16
0501052908	PRESS WHEELS ASSY	17
0521040809	PNEUMATIC SEED DISTRIBUTOR	18
0909094367	FERTILIZER ROW	19
0501052976	15 X 15 RIGHT FERT UNAL DOUB-DISC ASSY	20
0501052977	15 X 15 LEF FERT UNAL DOUB-DISC ASSY	21
0909094368	ROD SCARIFIER SPINDLE ASSY	22
0511040570	16" BLADE DISC ASSY	23



Item	Code	Description	QT
01	0521062567	FRAME 3° SCORE	01
02	0521040342	TURBINE ASSY FOR CARDAN	01
03	0503010834	1/2 X 1 BOLT	12
04	0503010019	1/2" SPRING WASHER	08
05	0503010060	1/2" NUT	08
06	0561019681	COVER PROTECTION FAN TURBINE	01
07	0503010256	3/8" X 3/4" BOLT	02
08	0503010025	3/8 SPRING WASHER	10
09	0501010984	FLAT WASHER	10
10	0503010026	3/8" NUT	02
11	0521062818	BRACO LEFT MARKER LINE PHT4	01
12	0521062819	BRACO RIGHT MARKER LINE PHT4	01
13	0531012400	COUPLING SHAFT	02
14	0503010577	3/16" X 1-1/4" COTTERPIN	04
15	0501069307	ROW MARKER ARM	02
16	0503011070	BEATER	02
17	0551019213	FLAT WASHER	02
18	0503011336	1/2" HEX SELF ADJUSTING NUT	02
19	0521040155	HYDRAULIC CYLINDER 31,75X50,8X365X595 PHT4	02
20	0521010571	COUPLING SHAFT	02
21	0503030012	HAIR PIN	02
22	0561019695	PHT4 SUPREME MARKET TRANSMITTER	02
23	0501068994	0.3" X 3.1" LOCK PIN	02
24	0503030168	HAIR PIN	04
25	0501080412	3/8" X 90.55" TR-TC HOSE	02
26	0501080469	3/8" X 98.42" TR-TR HOSE ASSY	02
27	0501080852	3/8" X 1500 TR-TM HOSE	02
28	0501053834	QUICK CONECTION (MALE) 1/2	02
29	0502010477	UPPER CLIP	06
30	0503010751	C3/8" X 1.1/4" HEX BOLT G.5	08
31	0571010413	VALVE SUPPORT	01
32	0503010371	5/16" X 1" BOLT	02
33	0501010694	FLAT WASHER	02



Item	Code	Description	QT
34	0503010179	SPRING WASHER	02
35	0503010337	5/16" NUT	02
36	0501054649	SEQUENTIAL VALVE ASSY	01
37	0501065337	PLOUGH SUPPORT	02
38	0521010530	COUPLING SHAFT	02
39	0503010140	1/8" X 3/4" COTTERPIN	02
40	0501050633	DISC ASSY FOR ROW MARKER	02
41	0511041364	DRIVE SHAFT	01
42	0501052586	ESTABILIZER DRAWBAR ASSY	01
42A	0501110096	165 ADJUSTMENT NUT	01
42B	0511061503	8.86" RIGTH TURNBUCKLE	01
42C	0511061504	8.86" LH TURNBUCKLE	01
42D	0501061056	RH LOCKNUT WITH HANDLER	01
42E	0503010002	1800 GREASE FITTING	02
43	0511062708	LARGER LOWER HITCH	02
44	0531011448	FASTENER	02
45	0501013233	5/8" X 2-3/4" BOLT	08
46	0503010027	SPRING WASHER	20
47	0503012412	HEX SELF ADJUSTING NUT 5/8 UNC S	20
48	0511069907	HOSE HOLDER	04
49	0541012143	FLAT WASHER	04
50	0571010432	AIR TUBE	02
51	0571010433	AIR TUBE	02
52	0503010246	CLAMP	08
53	0571011448	AIR CONDUCTOR	01
54	0571011434	HOSE ASSY FIXER SUPPORT OUTPUT AR	01
55	0521010580	COUPLING SHAFT	01
56	0521010582	COUPLING SHAFT	03
57	0501011445	FLAT WASHER	05
58	0503030085	LOCK PIN	04
62	0521010809	11,11 X 64 COUPLING SHAFT	02

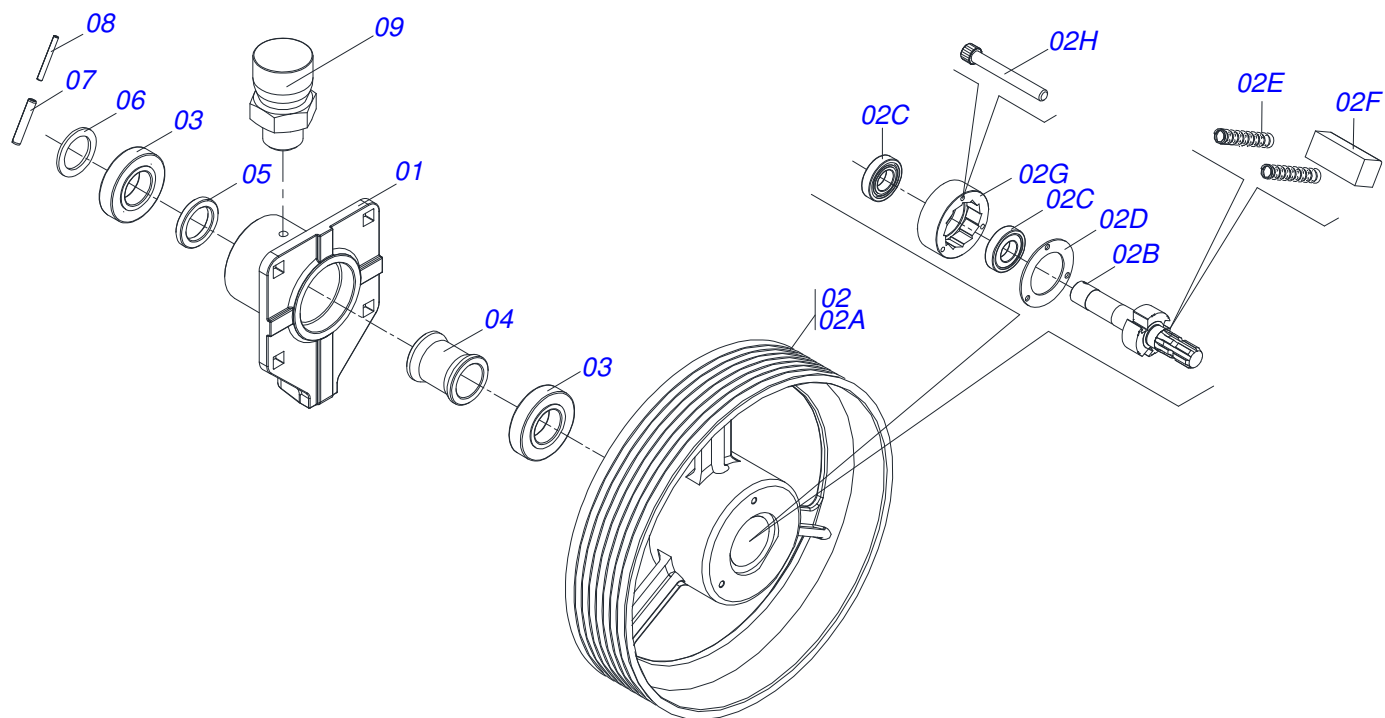


Item	Code	Description	QT
00	0521040342	TURBINE ASSY FOR CARDAN	01
01	0531017265	TURBINE SUPPORT	01
02	0501053716	BEARING ASSY OF THE LARGER FAN	01
02A	0502012016	CHAIN TENSIONER SUPPOT	01
02B	0503012778	MIDDLE LARGER AXLE	01
02C	0531010881	INTERMEDIARY UPPER SLEEVE	01
02D	0503012689	6306 DDU BEARING	02
02E	0503010325	VCA-118 VALVE	02
03	0503010920	1/2" X 1.1/2" BOLT	02
04	0511017302	FLAT WASHER	02
05	0503010395	1/2" X 1-1/4" BOLT	02
06	0503011336	1/2" HEX SELF ADJUSTING NUT	04
07	0501053886	PULLEY ASSY WITH FREE ROT	01
07A	0502012020	PULLEY HOUSING BEARING	01
07B	0501053888	TURBINE PULLEY ASSY	01
07C	0531014518	INTERMEDIARY LOWER BUSHING BEARING	01
07D	0531014519	FLAT WASHER	01
07E	0531014527	FLAT WASHER	01
07F	0503010301	0.3" X 1.8" SPRING PIN	01
07G	0503011855	0.2" X 1.8" SPRING PIN	01
08	0501011194	1/2" X 1-3/4" BOLT	04
09	0521018517	FLAT WASHER	04
10	0503010019	1/2" SPRING WASHER	04
11	0503010020	1/2"NUT	04
12	0503013030	5/8" X 3.1/4" BOLT	01
13	0501012140	FLAT WASHER	01
14	0503010013	5/8" NUT	01
15	0503012780	LARGER TURBINE BELT	01
16	0531017194	FRONT COVER	01
17	0503010751	C3/8" X 1.1/4" HEX BOLT G.5	04
18	0503010025	3/8 SPRING WASHER	04
19	0503010026	3/8" NUT	04
20	0511051874	FLIP LARGE	01

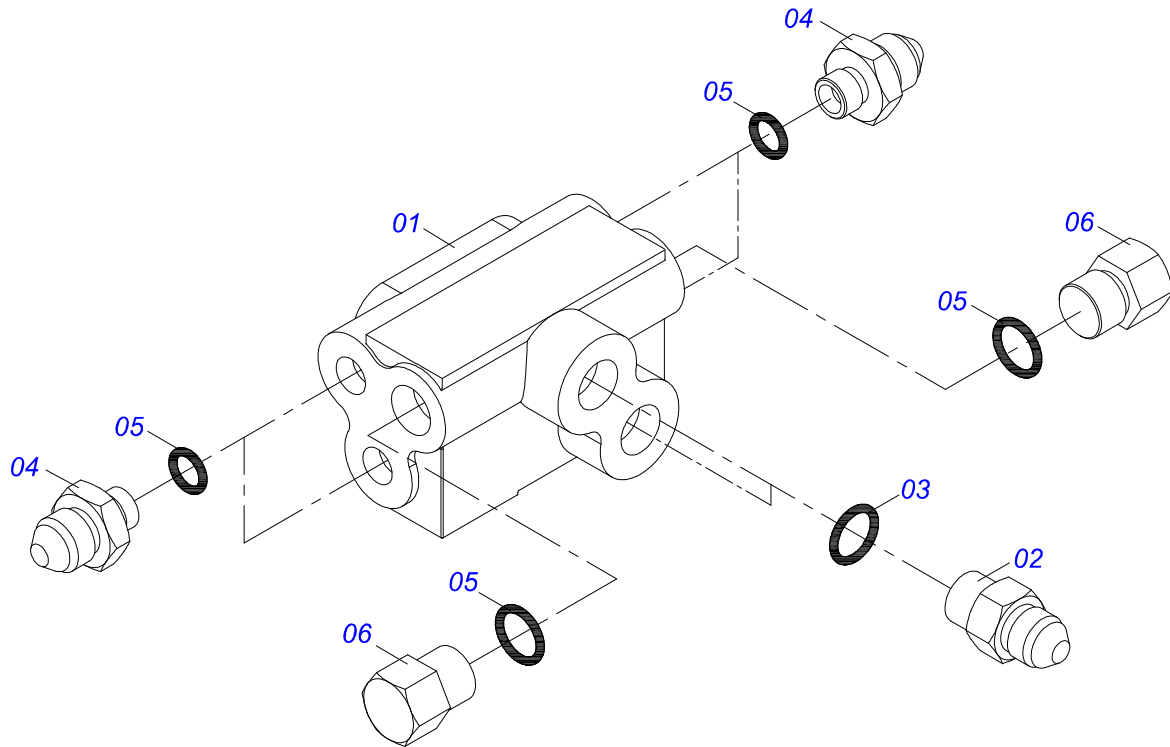


PHT4 SUPREMA
CARDAN TURBINE

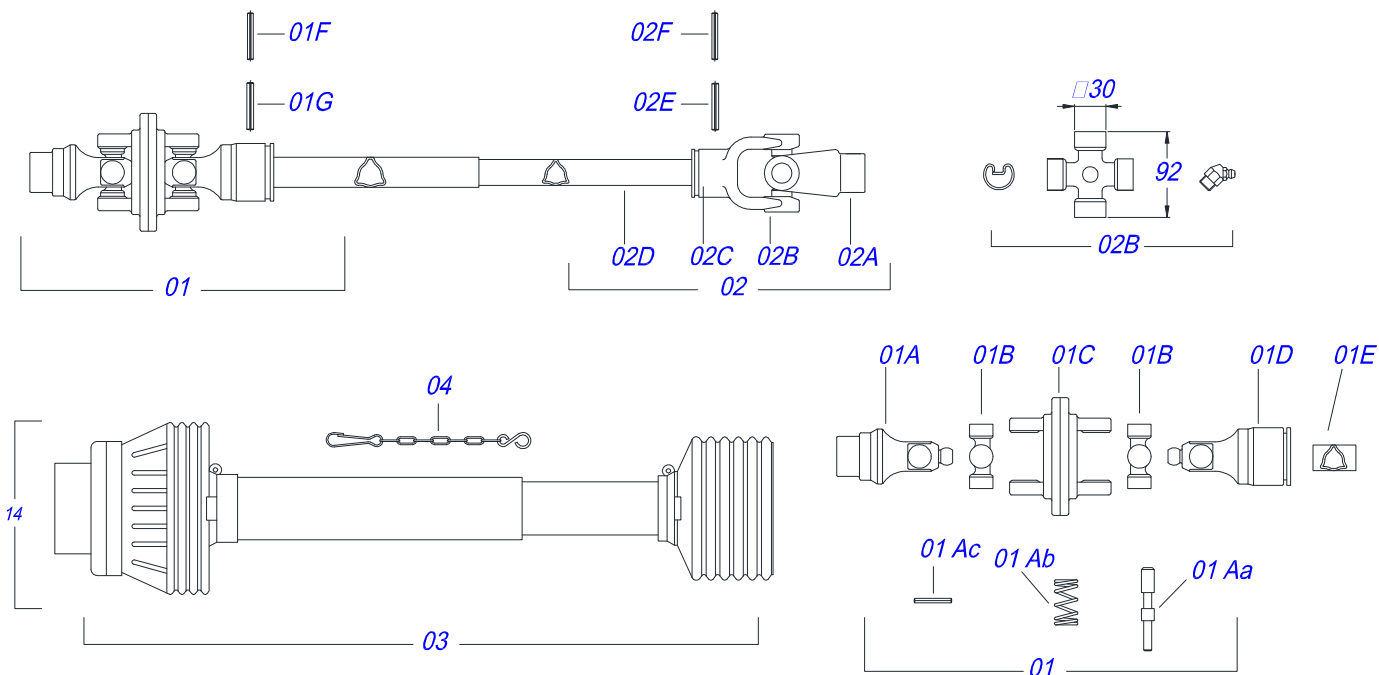
Item	Code	Description	QT
20A	0502011889	MIDDLE LARGER CENTER	01
20B	0501110356	MIDDLE FAN HUB FLANGE	01
20C	0561019222	SMALLER FAN FLIP LARGE	05
20D	0561019223	FLIP FAN WIDE GREATER	05
21	0503011775	6 X 6 X 35 KEYWAY	01
22	0503011774	PULLEY	01
23	0503010179	SPRING WASHER	01
24	0503011257	M 8 X 1,25 X 30 BOLT	01
25	0503011807	M 8 X 1,25 X 10 BOLT	01
26	0501054272	RIBBON FOR COVER CLOSING ASSY	01
27	0503031776	TURBINE RIBBON SEAL	02
28	0531017195	REAR COVER	01
29	0503013031	1/4" X 3.1/4" BOLT	15
30	0511017303	FLAT WASHER	34
31	0503012880	1/4" UNC SELF ADJUSTING NUT	17
32	0503012721	1/4" X 4" BOLT	02
33	0511014024	10 X 13 X 15,5 SLEEVE	02
34	0521018267	LARGER TURBINE FRONTAL COVER CENTER	01
35	0503031649	CONECTOR CENTER	01
36	0503012722	0.16" X 0.4" BLIND RIVET	16
37	0511051733	AIR DISTRIBUTOR	02
37A	0571010986	BODY RIGHT AIR DISTRIBUTOR	02
37B	0503031943	SOCKET	04
37C	0531017031	AIR DITRIBUTOR PUMP	02
37D	0503012856	REBITE POP	08
38	0531010771	WASHER GUIDE	01
39	0531010757	TURBINE FAN	01
40	0531010770	FLAT WASHER	01
41	0503011429	M 8 X 1,25 X 40 BOLT	01
42	0501056495	TURBINE OUTPUT SOCKET	01
42A	0503031812	TURBINE OUTPUT SOCKET	01
42B	0541017539	BUTTERFLY VALVE	01
42C	0511066760	VALVE FIXATION SUPPORT	01
42D	0503013813	1/4" UNC X 7/8" BOLT	02
42E	0503010143	SPRING WASHER	02
42F	0503010144	1/4" NUT	02
42G	0501013519	FLAT WASHER	01
42H	0503010060	1/2" NUT	01
43	0503013096	5/16" X 4" BOLT	02
44	0501010694	FLAT WASHER	04
45	0503010499	5/16" UNC BUTTERFLY NUT	02



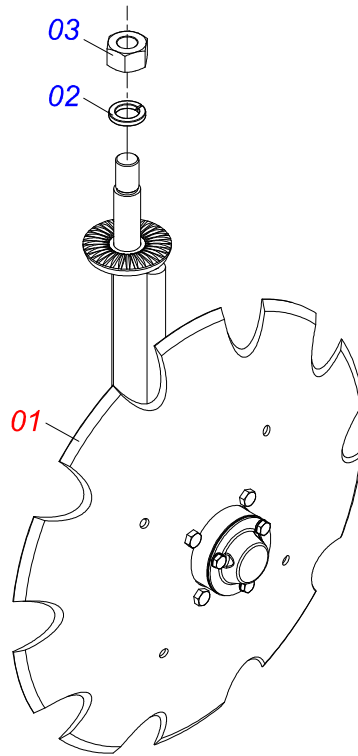
Item	Code	Description	QT
001	0502012020	PULLEY HOUSING BEARING	01
002	0501053888	TURBINE PULLEY ASSY	01
002A	0502012055	TURBINE PULLEY ASSY	01
002B	0503031732	RATCHET TURBINE PULLEY AXLE	01
002C	0503011081	6207 2RS BEARING	02
002D	0531014520	WASHER RATCHET	01
002E	0503030051	0.2" X 1" X 0.1" COMPRESSION SPRING	06
002F	0501010649	RATCHET CLICK	03
002G	0503031731	RATCHET PULLEY TURBINE	01
002H	0503012950	5/16" X 2-1/2" BOLT	03
003	0503011081	6207 2RS BEARING	02
004	0531014518	INTERMEDIARY LOWER BUSHING BEARING	01
005	0531014519	FLAT WASHER	01
006	0531014527	FLAT WASHER	01
007	0503010301	0.3" X 1.8" SPRING PIN	01
008	0503011855	0.2" X 1.8" SPRING PIN	01
009	0503010325	VCA-118 VALVE	01



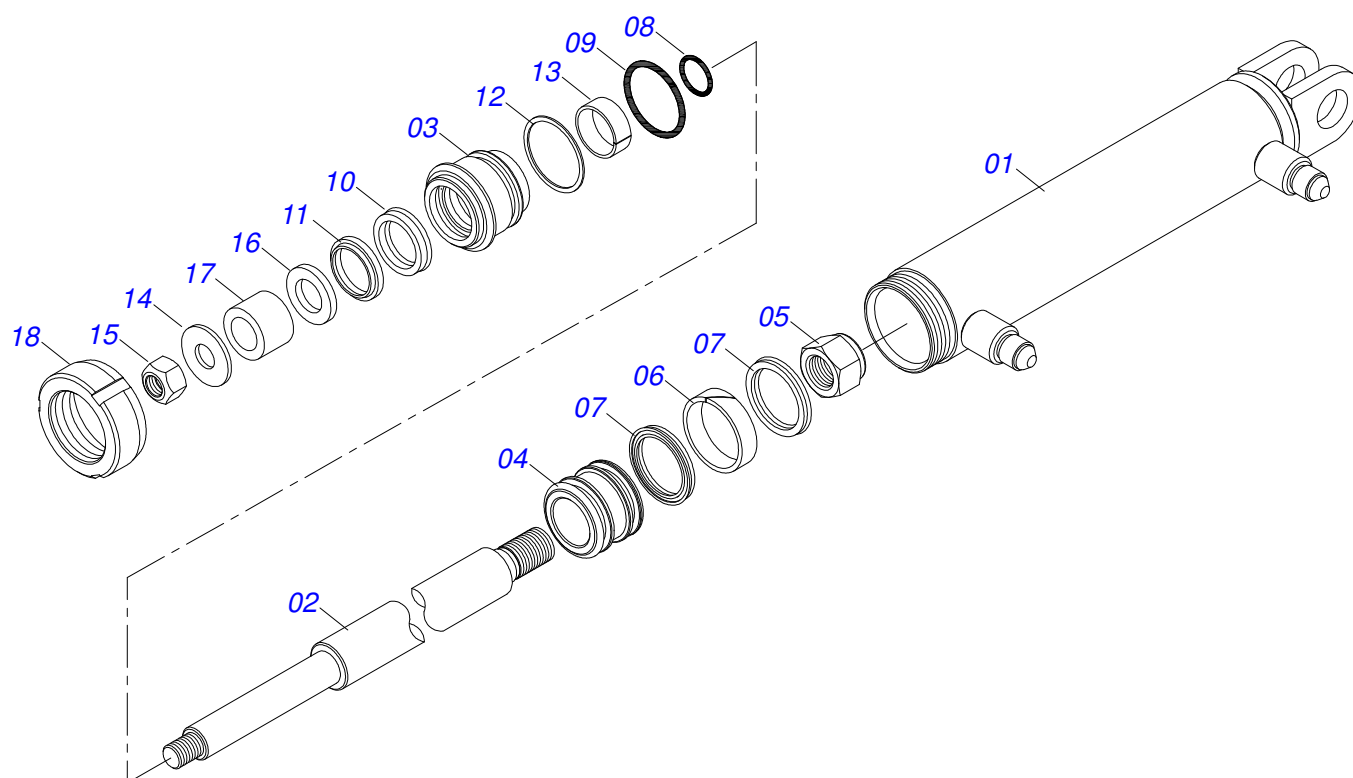
Item	Code	Description	QT
01	0503060132	VDFS-002 T SEQUENCCEL VALVE	01
02	0501010617	3/4" NIPPLE	02
03	0503010190	2-114 N 3006-9B O'RING	02
04	0501012109	3/4" X 9/16" NIPPLE	04
05	0503011036	2-111 N 3006-9B O'RING	06
06	0531019339	9/16" UNF X 12 PUMP	02



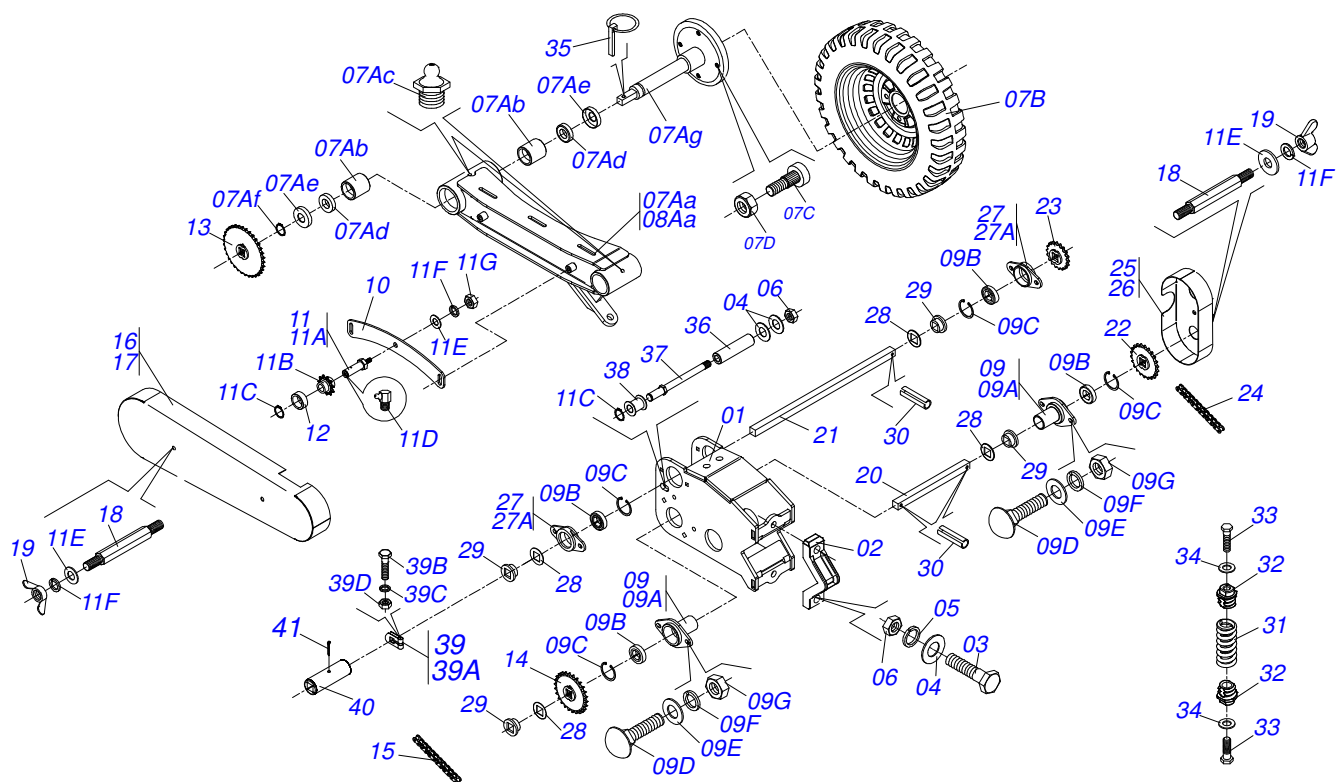
Item	Code	Description	QT
01	0501055638	HOMO JOINT WITH FEMALE BUSHING	01
01A	0503012607	TRACTOR HOMOCINETIC TERMINAL	01
01Aa	0521010638	0.5" X 3.3" QUIC HITCH COUPL SHAFT	01
01Ab	0503030518	0.5"X1.0"X 0.1" COMPRESSION SPRING	01
01Ac	0503010140	1/8" X 3/4" COTTERPIN	01
01B	0503012605	CROSSPIECE	02
01C	0503012606	CENTER BODY	01
01D	0503012604	HOMO TERMINAL W/ FEMALE BUSHING	01
01E	0503012618	2.1" X 2.0" X 31" TRIAN FEMALE TUB	01
01F	0503010843	0.4" X 3.3" SPRING PIN	01
01G	0503011878	0.2" X 3.3" SPRING PIN	01
02	0501055639	UNIVERSAL JOINT	01
02A	0503013132	CC292 TERMINAL	01
02B	0503012096	CROSSPIECE	01
02C	0503013187	TERMINAL	01
02D	0503012619	1.8" X 1.7" X 31" TRIAN MALE TUB	01
02E	0503011069	0.4" X 2.8" SPRING PIN	01
02F	0503011805	0.2" X 2.8" SPRING PIN	01
03	0503013189	PROTECTION ASSY	01
04	0503012023	CHAIN FOR UNIV JOINT PROTECTION	01



Item	Code	Description	QT
01	0511053904	ROW MARKER DISC	01
02	0503010023	SPRING WASHER	01
03	0503010014	3/4" NUT	01



Item	Code	Description	QT
00	0521040155	HYDRAULIC CYLINDER 31,75X50,8X365X595 PHT4	
01	0521062810	CYLINDER CASE	01
02	0571010344	31,75 X 456 ROD	01
03	0551019988	RING SUPPORT 31,75 X 50,80 X 47	01
04	0551019990	31,75 X 50,80 X 39,40 PISTON	01
05	0503010812	7/8" SELF-ADJUSTING NUT	01
06	0503010949	W2-2000-500 PK RING G.E	01
07	0503013920	GASKET 1870-1625	02
08	0503014677	2-118 O'RING	01
09	0503013917	O'RING 2-224	01
10	0503013914	1870-1250-312B GASKET	01
11	0503013915	D-1250 SCRAPER RING	01
12	0503013918	8-224 BACK-UP RING	01
13	0503014683	W1-1400-500 RING GUIDE	01
14	0571010265	FLAT WASHER	01
15	0503012412	HEX SELF ADJUSTING NUT 5/8 UNC S	01
16	0571010576	SUPPORT WASHER	01
17	0571010577	SLEEVE SUPPORT HYDRAULIC ROW MARKER	01
18	0571011411	MOBILE COVER	01

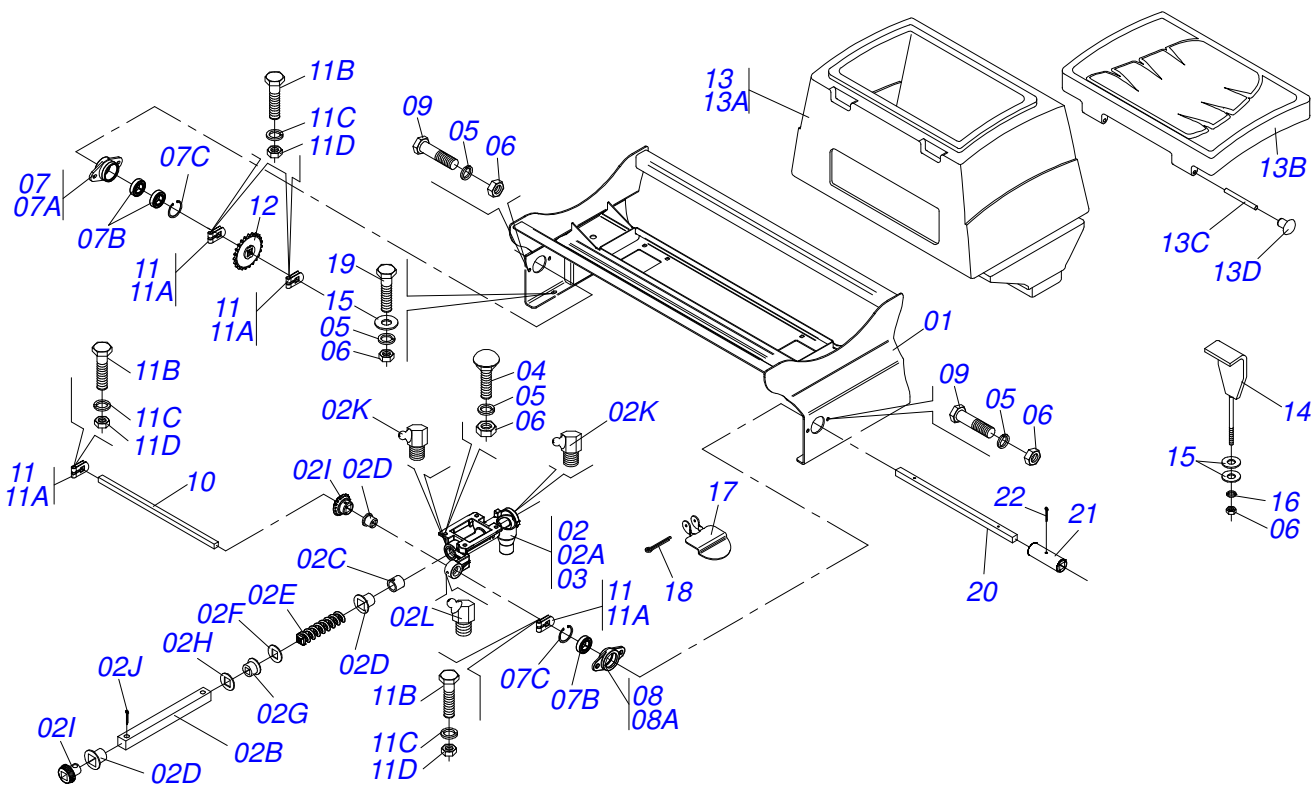


Item	Code	Description	QT
01	0521062571	CARRYING-WHEELS SUPPORT	02
02	0502010175	HITCH CLAMP	02
03	0501010163	5/8" X 4-1/2" BOLT	04
04	0501012140	FLAT WASHER	12
05	0503010027	SPRING WASHER	04
06	0503012412	HEX SELF ADJUSTING NUT 5/8 UNC S	08
07	0511051502	RIGHT HUB AND SPINDLE	01
07A	0511051503	RH WHEEL ARM	01
07Aa	0521062949	RH WHEEL ARM	01
07Ab	0571010311	SLEEVE INTERMEDIARY	04
07Ac	0503010002	1800 GREASE FITTING	04
07Ad	0503013170	ROLLER BEARING	04
07Ae	0561016502	GUARD POWDER	04
07Af	0503010707	501030 CLAMPING RING (FOR AXLE)	02
07Ag	0521061662	WHEELED AXLE	02
07B	0503060105	WELL AND TIRE ASSY	02
07C	0501010127	9/16" X 1-7/8" LUG BOLT	08
07D	0503010035	9/16" CONIC NUT	08
08	0511051634	LH HUB AND SPINDLE	01
08A	0511051635	LEFT WHEEL ARM	01
08Aa	0521062947	DEPTH WHEEL ARM	01
09	0511051479	BEARING	04
09A	0521062809	BEARING	04
09B	0503013462	BEARING WITH BALL BEARING	08
09C	0503011105	SEAL RING	08
09D	0503011953	5/16" X 1" BOLT	08
09E	0501010694	FLAT WASHER	08
09F	0503010179	SPRING WASHER	08
09G	0503010337	5/16" NUT	08
10	0571010967	CHAIN TENSIONER	02
11	0501045114	CHAIN TENSIONER	02
11A	0511010919	CHAIN TIGHTENER AXLE	02
11B	0503031805	11Z 1/2" GEAR	02



PHT4 SUPREMA
WHEELS ASSY

Item	Code	Description	QT
11C	0503030302	BUSHING INNER SOCKET	04
11D	0503030004	RIGHT HELICAL CONDUTOR	02
11E	0501010984	FLAT WASHER	08
11F	0503010025	3/8 SPRING WASHER	08
11G	0503010026	3/8" NUT	02
12	0561016501	GLOVE 30,50	02
13	0511063105	34Z P 1/2" GEAR SQUARE HOLE 3/4"	02
14	0511067501	26Z GEAR	02
15	0503012718	40-1 CHAIN X 111 LINK + MENDING	02
16	0561019680	LEFT CHAIN COVER	01
17	0571010830	RIGHT CHAIN COVER	01
18	0561016503	PRISONER 3/8 UNC	06
19	0503010209	3/8" UNC BUTTERFLY NUT	06
20	0571010341	SQUARE SHAFT	02
21	0571010632	WHEEL DRIVER AXLE	02
22	0521060880	GEAR 22 TEETH	02
23	0511061757	18Z GEAR	02
24	0503016178	40-1 CHAIN X 38 LINK + MENDING	02
25	0561019679	CHAIN CAP	01
26	0571010822	CHAIN PROTECTION CAP	01
27	0501056444	BEARING WITH BALL BEARING	04
27A	0502011697	BEARING OF THE GEAR BOX	04
28	0521018630	1.4" X SQUARE 0.8" WASHER	08
29	0503030303	SUPPORT WASHER	08
30	0503010292	0.2" X 1.6" SPRING PIN	12
31	0503031681	2.1" X 7.78" EXTENSION SPRING	02
32	0502011031	SPRING UPPER HITCH	04
33	0503013030	5/8" X 3.1/4" BOLT	04
34	0501011299	FLAT WASHER	04
35	0503030085	LOCK PIN	02
36	0571010541	BEATER SLEEVE	02
37	0571010964	TENSIONER CHAIN	02
38	0503030402	PULLEY	02
39	0501053788	Q3/4" FASTENER AXLE ASSY	02
39A	0521010691	AXLE FASTENER	02
39B	0503010373	1/4" X 2" BOLT	02
39C	0503010143	SPRING WASHER	02
39D	0503010144	1/4" NUT	02
40	0502012007	SQUARE SLEEVE	02
41	0503010048	1/4" X 1.3/4" COTTERPIN	02

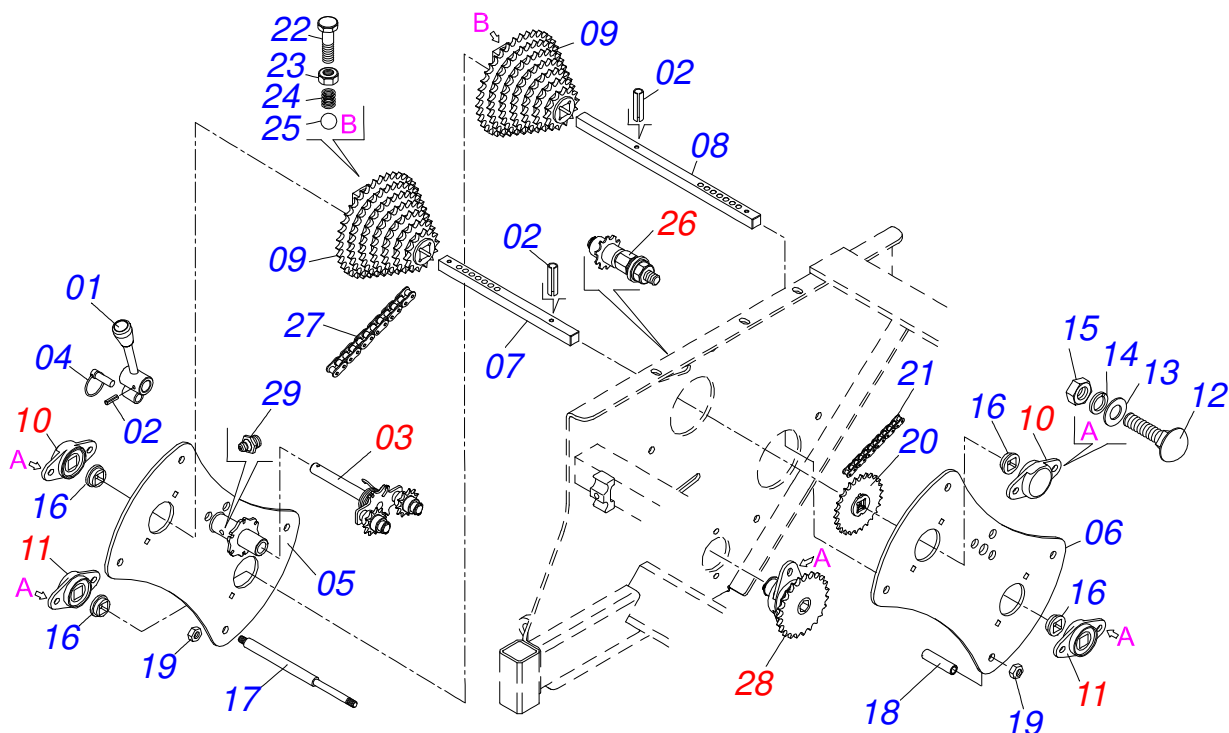


Item	Code	Description	QT
01	0521062960	SUPPORT BIN FERTILIZER BOX PLASTIC	02
02	0511051714	SIDE FERTILIZER DISTRIBUTOR	01
02A	0501110690	DISTRIBUTOR FERTILIZER	02
02B	0501019851	DISTRIBUTOR FERTILIZER AXLE	02
02C	0521010309	SLEEVE INTER	02
02D	0503030275	AGRICULTURAL BEARING	04
02E	0503031166	LEFT CONDUCTOR	02
02F	0511017137	FLAT WASHER	02
02G	0503030303	SUPPORT WASHER	02
02H	0501013774	GREASE SEAL	02
02I	0502011412	18Z CONICAL GEAR	02
02J	0503010523	1/4" X 2" COTTERPIN	02
02K	0503011962	GREASE FITTING	04
02L	0503010003	1845 GREASE FITTING	02
03	0511051715	SIDE FERTILIZER DISTRIBUTOR	01
04	0501011643	3/8 X 1" BOLT	16
05	0503011443	SPRING WASHER	32
06	0503010026	3/8" NUT	36
07	0501056451	BEARING	02
07A	0502011971	HOUSING WITH DOUBLE BEARING	02
07B	0503013462	BEARING WITH BALL BEARING	06
07C	0503011105	SEAL RING	04
08	0501056444	BEARING WITH BALL BEARING	02
08A	0502011697	BEARING OF THE GEAR BOX	02
09	0503010237	3/8" X 1" BOLT	08
10	0561018362	SQUARE SHAFT	02
11	0501053788	Q3/4" FASTENER AXLE ASSY	06
11A	0521010691	AXLE FASTENER	06
11B	0503010373	1/4" X 2" BOLT	06
11C	0503010143	SPRING WASHER	06
11D	0503010144	1/4" NUT	06
12	0511066098	23Z GEAR	01
13	0503060693	BOX FERTILIZER ASSY	02

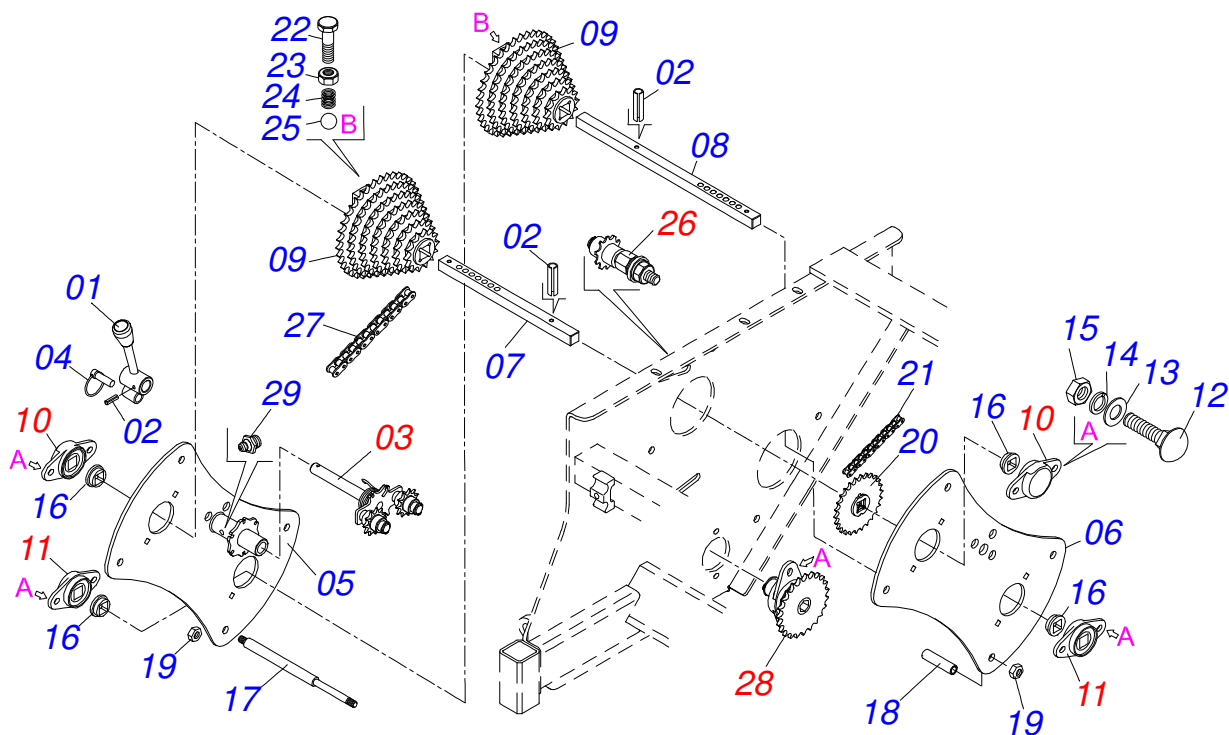


PHT4 SUPREMA
FERTILIZER BEAM SUPPORT

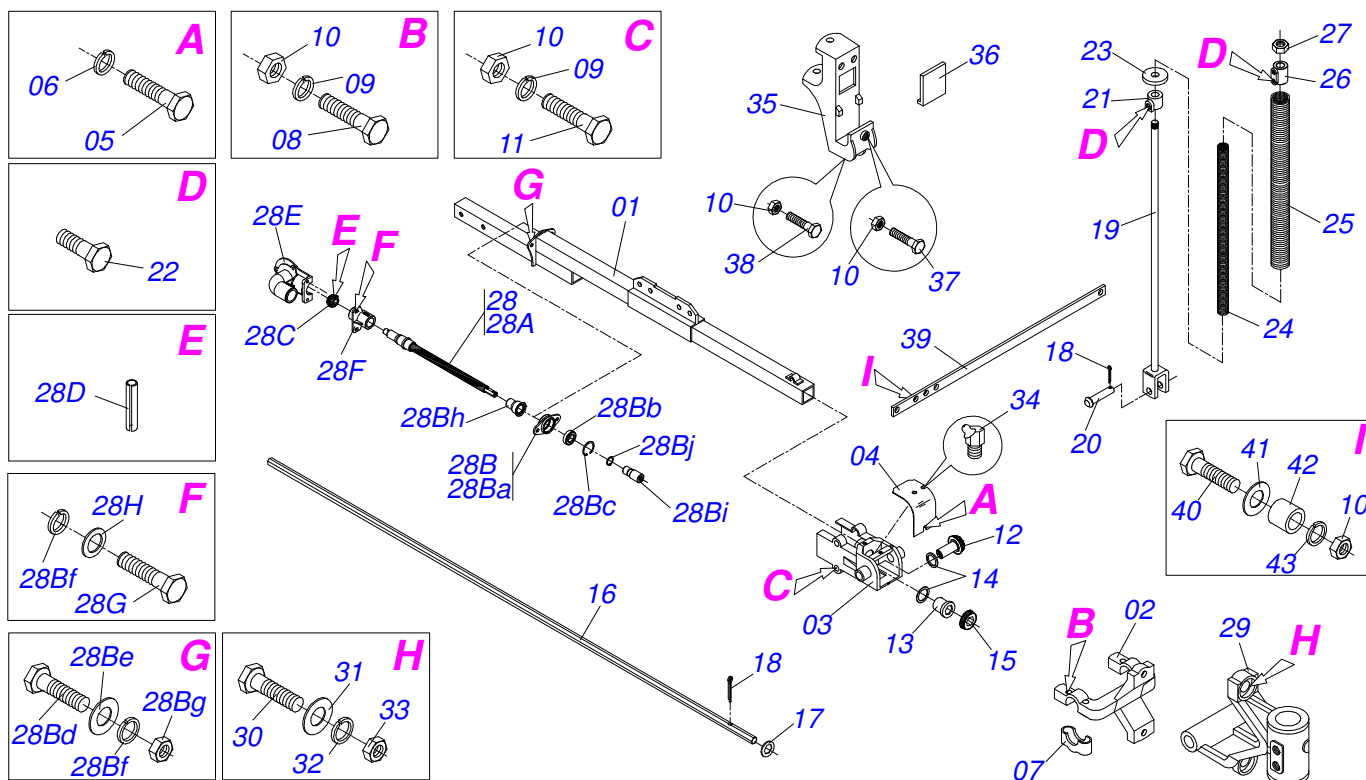
Item	Code	Description	QT
13A	0503032048	BOX FERTILIZER	02
13B	0503032049	FERTILIZER BOX COVER	02
13C	0503032052	COVER PIVOT SHAFT	04
13D	0503032051	COVER PIVOT SHAFT	08
14	0511065804	FERTILIZER BOX CLAMP	04
15	0501010984	FLAT WASHER	20
16	0503010025	3/8 SPRING WASHER	04
17	0571010590	FERTILIZER SIDE COVER	04
18	0503010362	1/8" X 1.1/4" COTTERPIN	04
19	0503010849	3/8" X 1-1/2" BOLT	08
20	0571010963	SQUARE SHAFT	01
21	0502012007	SQUARE SLEEVE	02
22	0503010048	1/4" X 1.3/4" COTTERPIN	02



Item	Code	Description	QT
01	0502011758	REAR TENSIONER LEVER	01
02	0503010292	0.2" X 1.6" SPRING PIN	03
03	0501052776	CHAIN TENSIONER ASSY	01
04	0501048790	AXLE WITH LINK ASSY	01
05	0521062568	SIDE	01
06	0561019671	BODY	01
07	0571010633	GEAR BOX DRIVER AXLE	01
08	0561017353	MOTOR SHAFT	01
09	0511060396	DRIVE/DRIVEN AXLE CONE	02
10	0501056271	GEAR BOX CLOSE BEARINGONE	03
11	0501056447	CENTRAL BEARING GEAR BOX	01
12	0503011953	5/16" X 1" BOLT	08
13	0501010694	FLAT WASHER	08
14	0503010179	SPRING WASHER	08
15	0503010337	5/16" NUT	08
16	0503030303	SUPPORT WASHER	04
17	0571010425	JACK	04
18	0571010426	SLEEVE SUPPORT	04
19	0503011336	1/2" HEX SELF ADJUSTING NUT	08
20	0511061830	17Z P 0.5" GEAR SQUARE HOL	01
21	0503014528	40-1 CHAIN X 72 LINK + REDECTION	01
22	0503010751	C3/8" X 1.1/4" HEX BOLT G.5	02
23	0503010060	1/2" NUT	03
24	0503031512	0.4" X 0.1"X 2" X 0.6" SPRING	02
25	0503012389	1/2 BALL	02
26	0501058254	UPPER SEED CHAIN TENSIONER	01
27	0503012204	40-1 CHAIN X 82 LINK + RED	01
28	0511051511	BEARING	01
29	0503010002	1800 GREASE FITTING	01



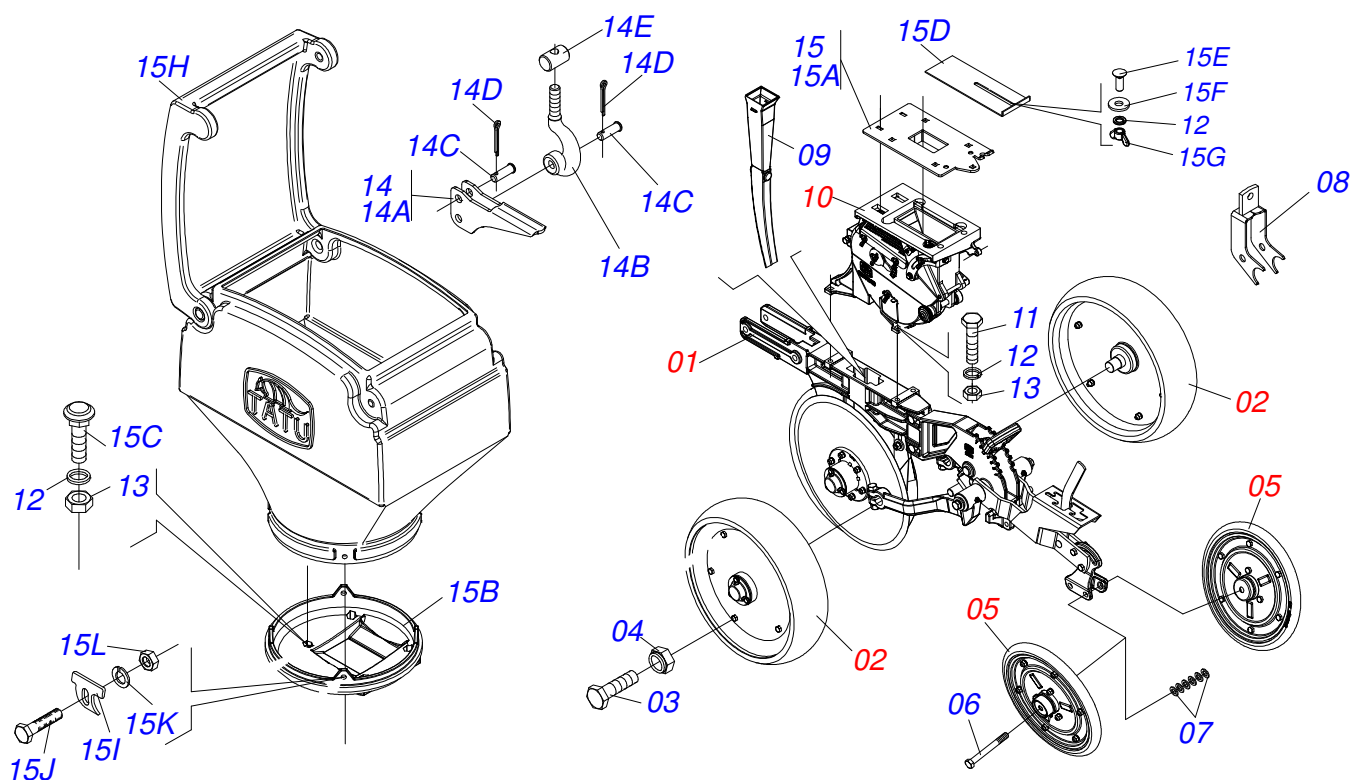
Item	Code	Description	QT
01	0502011758	REAR TENSIONER LEVER	01
02	0503010292	0.2" X 1.6" SPRING PIN	03
03	0501052776	CHAIN TENSIONER ASSY	01
04	0501048790	AXLE WITH LINK ASSY	01
05	0521062568	SIDE	01
06	0561019671	BODY	01
07	0571010633	GEAR BOX DRIVER AXLE	01
08	0561017353	MOTOR SHAFT	01
09	0511060396	DRIVE/DRIVEN AXLE CONE	02
10	0501056271	GEAR BOX CLOSE BEARINGONE	03
11	0501056447	CENTRAL BEARING GEAR BOX	01
12	0503011953	5/16" X 1" BOLT	09
13	0501010694	FLAT WASHER	09
14	0503010179	SPRING WASHER	09
15	0503010337	5/16" NUT	09
16	0503030303	SUPPORT WASHER	04
17	0571010425	JACK	04
18	0571010426	SLEEVE SUPPORT	04
19	0503011336	1/2" HEX SELF ADJUSTING NUT	08
20	0511067501	26Z GEAR	01
21	0503014528	40-1 CHAIN X 72 LINK + REDECTION	01
22	0503010751	C3/8" X 1.1/4" HEX BOLT G.5	02
23	0503010060	1/2" NUT	03
24	0503031512	0.4" X 0.1"X 2" X 0.6" SPRING	02
25	0503012389	1/2 BALL	02
26	0501058254	UPPER SEED CHAIN TENSIONER	01
27	0503012204	40-1 CHAIN X 82 LINK + RED	01
28	0571011451	HEX AXLE	01
29	0511051511	BEARING	01
30	0503010002	1800 GREASE FITTING	01



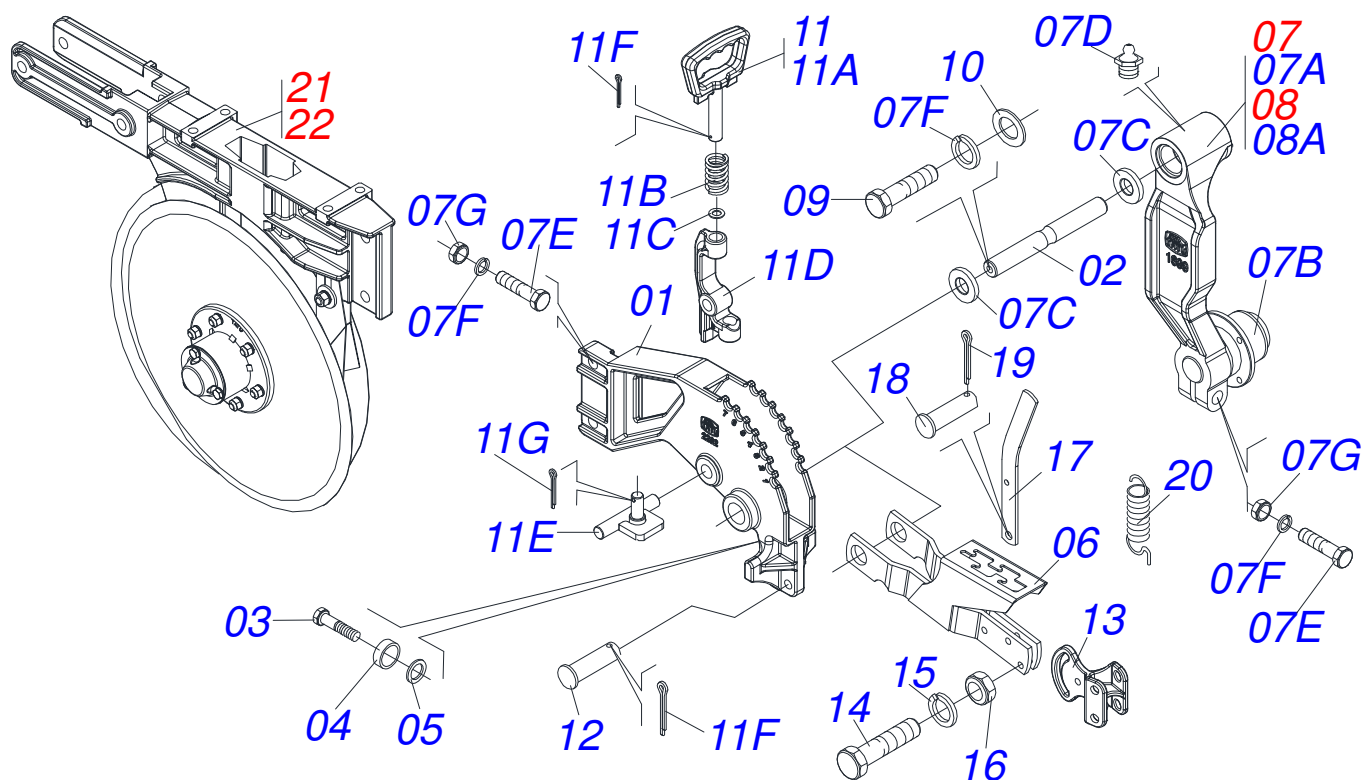
Item	Code	Description	QT
01	0521062570	SEED ROW ARM	01
02	0502011561	BEARING SEMI	01
03	0571010152	ROW SEED SUPPORT ARTICULACION	01
04	0521018079	SEEP ROW DRAWBAR COVER	01
05	0503014729	1/4" UNF X 1/2" BOLT	02
06	0503011441	SPRING WASHER	02
07	0502010426	UPPER BEARING SEMI	02
08	0503010479	1/2" X 3" BOLT	04
09	0503011440	SPRING WASHER	06
10	0503010060	1/2" NUT	23
11	0503010752	1/2" X 3.1/2" BOLT	02
12	0502011400	18Z CONICAL GEAR	01
13	0502011296	1/2 HEX AXLE BEARING SLEEVE	01
14	0501013824	FLAT WASHER	02
15	0502011505	18Z CONICAL GEAR	01
16	0561019673	1/2" X 540 HEX AXLE	01
17	0501013352	FLAT WASHER	01
18	0503010257	1/8" X 1" COTTERPIN	02
19	0521062824	SPINDLE GUIDE	01
20	0521010542	COUPLING SHAFT	01
21	0502040534	SPRING GUIDE BUSHING LOCK	01
22	0503010834	1/2 X 1 BOLT	03
23	0531019915	FLAT WASHER	01
24	0503031359	1"X15.75"X0.15" COMPRESSION SPRING	01
25	0503031360	1.68"X17.75"X0.3" COMPRESS SPRING	01
26	0521062825	LOCK VARON GUIDE	01
27	0503010335	3/4"NUT	01
28	0511051497	SEED ROW TRANSMISSION	01
28A	0521062650	CABLE TRANSMISSION	01
28B	0511051496	TRANSMISSION BEARIN	01
28Ba	0571010359	BEARIN BODY	01
28Bb	0503011410	ROLLER BEARING	01
28Bc	0503011105	SEAL RING	01

SEED ROW

Item	Code	Description	QT
28Bd	0503010371	5/16" X 1" BOLT	02
28Be	0501010694	FLAT WASHER	02
28Bf	0503010179	SPRING WASHER	04
28Bg	0503010337	5/16" NUT	02
28Bh	0561019881	FIXING THE CABLE SLEEVE STEEL	01
28Bi	0502012631	1/2 X 5/8 HEX SLEEVE	01
28Bj	0503010406	501025 CLAMPING RING (FOR AXLE)	01
28C	0502012648	10Z CONICAL GEAR	01
28D	0503015356	SPRING PIN	01
28E	0502012681	CABLE STEEL BEARING SUPPORT	01
28F	0502012682	CABLE STEEL BEARING	01
28G	0503010363	5/16" X 1" BOLT	02
28H	0501010984	FLAT WASHER	02
29	0502011567	FERTILIZER ROW SUPPORT	01
30	0501010163	5/8" X 4-1/2" BOLT	02
31	0501012140	FLAT WASHER	02
32	0503010027	SPRING WASHER	02
33	0503012412	HEX SELF ADJUSTING NUT 5/8 UNC S	02
34	0503011099	GREASE FITTING	02
35	0571011443	ROD GUIDE SUPPORT	01
36	0502010891	SPRING CHOCK SUPPORT VARON	01
37	0503010920	1/2" X 1.1/2" BOLT	01
38	0503010395	1/2" X 1-1/4" BOLT	01
39	0501018652	CORN STABILIZER BAR	03
40	0503010740	1/2" X 2" BOLT	05
41	0511017302	FLAT WASHER	05
42	0521010505	13,50 X 19,00 X 21,50 SLEEVE	05
43	0503010019	1/2" SPRING WASHER	05



Item	Code	Description	QT
00	0521040159	DEPTH WHEEL SYSTEM	01
01	0511051447	CONTROL DEPTH ASSY	01
02	0501052538	DEPTH CONTROL WHEEL RUBBER BAND	02
03	0503010358	5/16" X 5/8" BOLT	08
04	0503013816	5/16" LOCKNUT	08
05	0501052908	PRESS WHEELS ASSY	02
06	0503010706	1/2" X 4.1/2" BOLT	02
07	0521014508	FLAT WASHER	12
08	0521062527	SUPPORT STABILIZER BAR	01
09	0503033124	SOCKET SEED	01
10	0521040809	PNEUMATIC SEED DISTRIBUTOR	01
11	0503011404	3/8" X 1-3/4" BOLT	04
12	0503010025	3/8 SPRING WASHER	09
13	0503010026	3/8" NUT	08
14	0511050809	SEMIFINISHED FAST CLOSING SET	01
14A	0541016855	SPEED ??LOCK LEVER ASSY	01
14B	0561019318	PRISONER CLOSING FAST	01
14C	0551018050	FAST BOLT GUIDE AXLE	01
14D	0503010257	1/8" X 1" COTTERPIN	02
14E	0561019270	FAST BOLT ADJUSTMENT	01
15	0511051489	SEED BOX	01
15A	0521060631	FIXING BASE BOX	01
15B	0502011760	SEED SILO SUPPORT	01
15C	0501010942	3/8" X 1-1/4" BOLT	04
15D	0531018349	SEED FLOW SWITCH PNEUMATIC SYSTEM	01
15E	0501011643	3/8 X 1"BOLT	01
15F	0501010984	FLAT WASHER	01
15G	0503010209	3/8" UNC BUTTERFLY NUT	01
15H	0503060516	SEED BOX WITH SMALLER CAP	01
15I	0531010631	SEED BEAM CLAMP	04
15J	0503010371	5/16" X 1" BOLT	04
15K	0503010179	SPRING WASHER	04
15L	0503010337	5/16" NUT	04



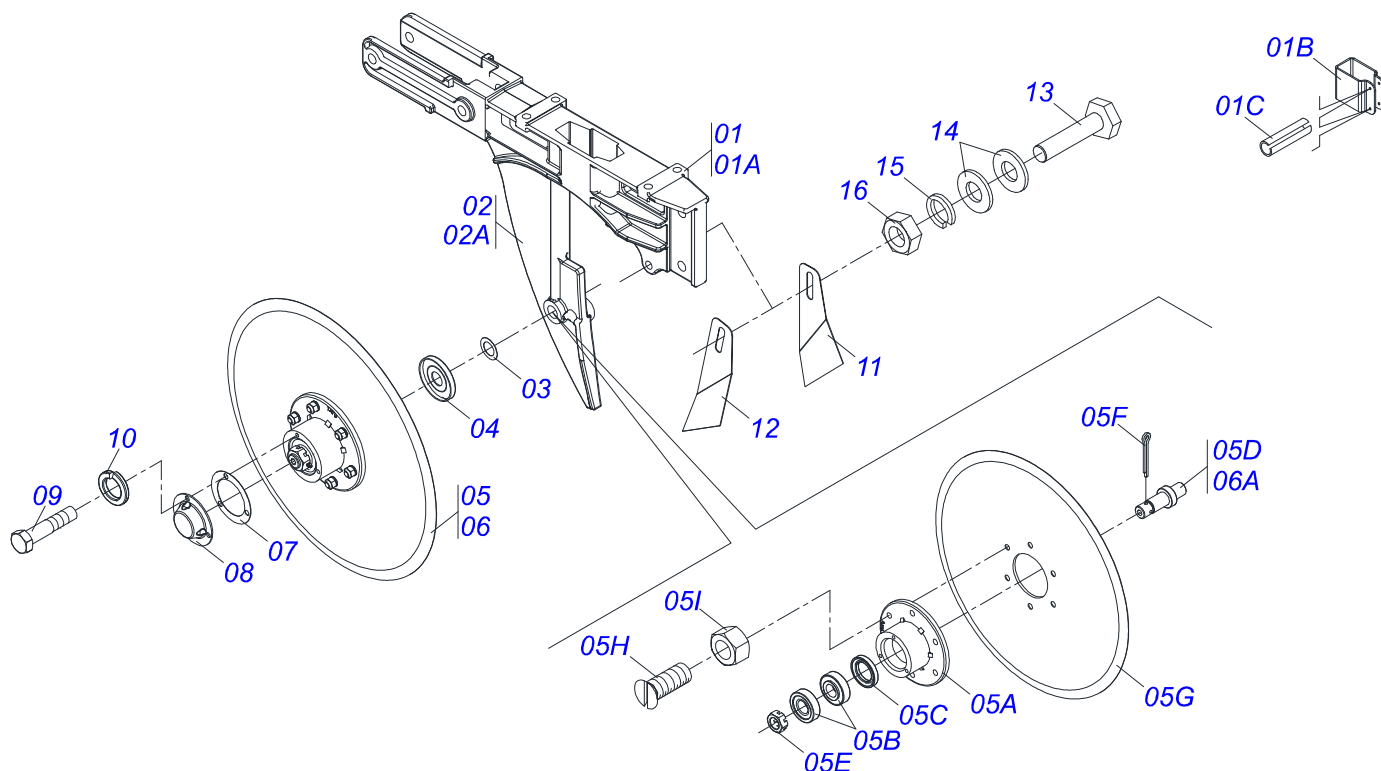
Item	Code	Description	
00	0511051447	CONTROL DEPTH ASSY	01
01	0502012282	DEPTH CONTROL SUPPORT	01
02	0531010765	DEPTH WHEEL AXLE	01
03	0503010256	3/8" X 3/4" BOLT	01
04	0521010480	1" X 1.2" X 0.4" ARTICULAT SLEEVE	02
05	0511015346	FLAT WASHER	04
06	0511069633	PRESS WHEELS COMPACTOR	01
07	0501058576	RIGHT WHEEL ARM	01
07A	0502012553	DEPTH WHEEL RIGHT ARM	01
07B	0501052627	DEPHT WHEELS BOX	01
07C	0503015021	6871-GA SEAL RING	02
07D	0503010002	1800 GREASE FITTING	01
07E	0503010740	1/2" X 2" BOLT	02
07F	0503011440	SPRING WASHER	04
07G	0503010060	1/2" NUT	02
08	0501058577	RIGHT ARM DEPTH CONTROL WHEEL	01
08A	0502012552	LH ARM DEPTH CONTROL WHEEL	01
09	0503010834	1/2 X 1 BOLT	02
10	0511017302	FLAT WASHER	02
11	0501052297	DEPTH WHEELS REGULATOR ASSY	01
11A	0502011689	1/8" DEPTH CONTROL LEVER	01
11B	0503030975	0.9" X 1.5" X 0.1" SPRING	01
11C	0511015976	FLAT WASHER	01
11D	0502011688	SEED SIST CONTROL DEPTH LEVER	01
11E	0511060699	DEPTH WHEEL STOP	01
11F	0503010257	1/8" X 1" COTTERPIN	02
11G	0503010071	3/16" X 1" COTTERPIN	01
12	0521019093	0.6" X 2.7" PIVOT SHAFT	01
13	0502012116	PRESS WHEEL ADJUSTER	01
14	0503010849	3/8" X 1-1/2" BOLT	02
15	0503011443	SPRING WASHER	02
16	0503010026	3/8" NUT	02
17	0541016906	PRESS WHEELS REGULATOR BODY	01



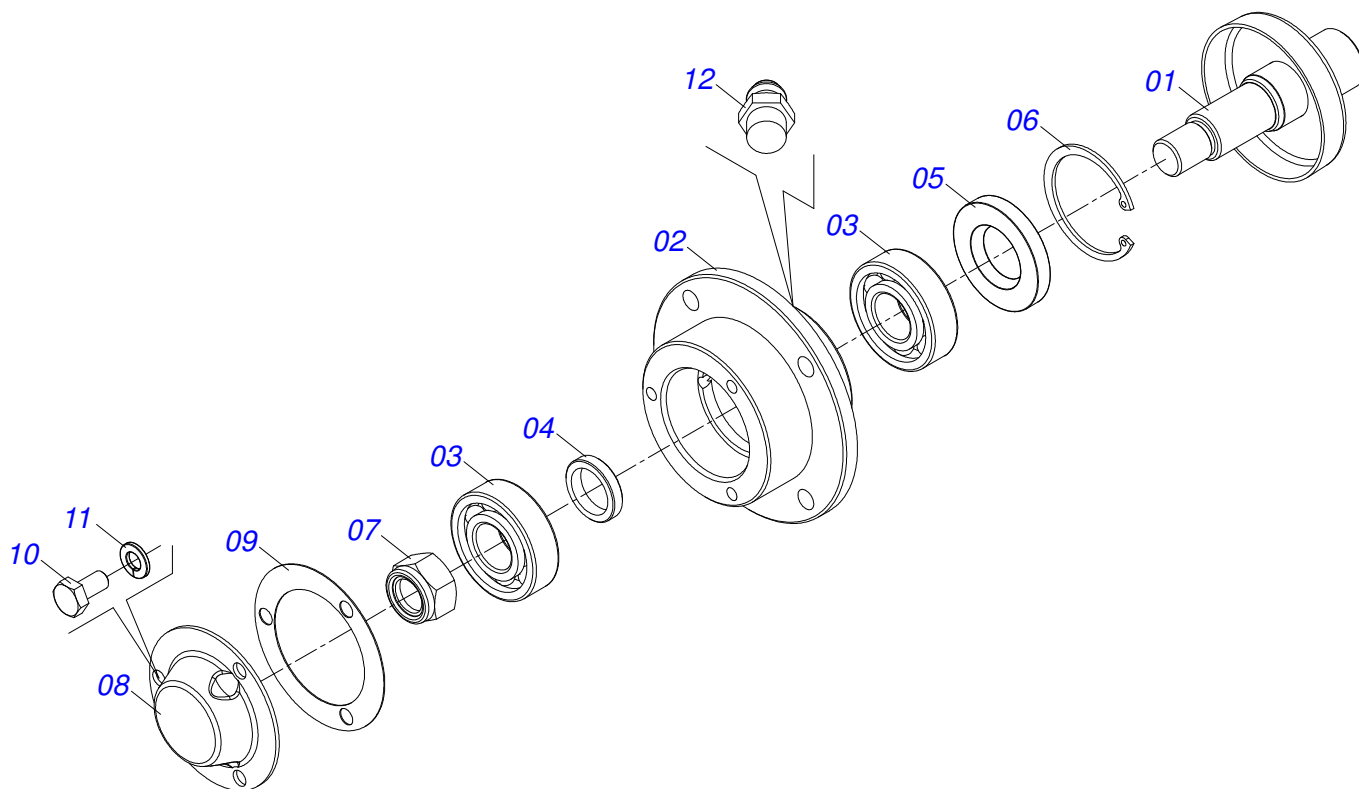
PHT4 SUPREMA
DEPTH CONTROL

Page 13
0909093385

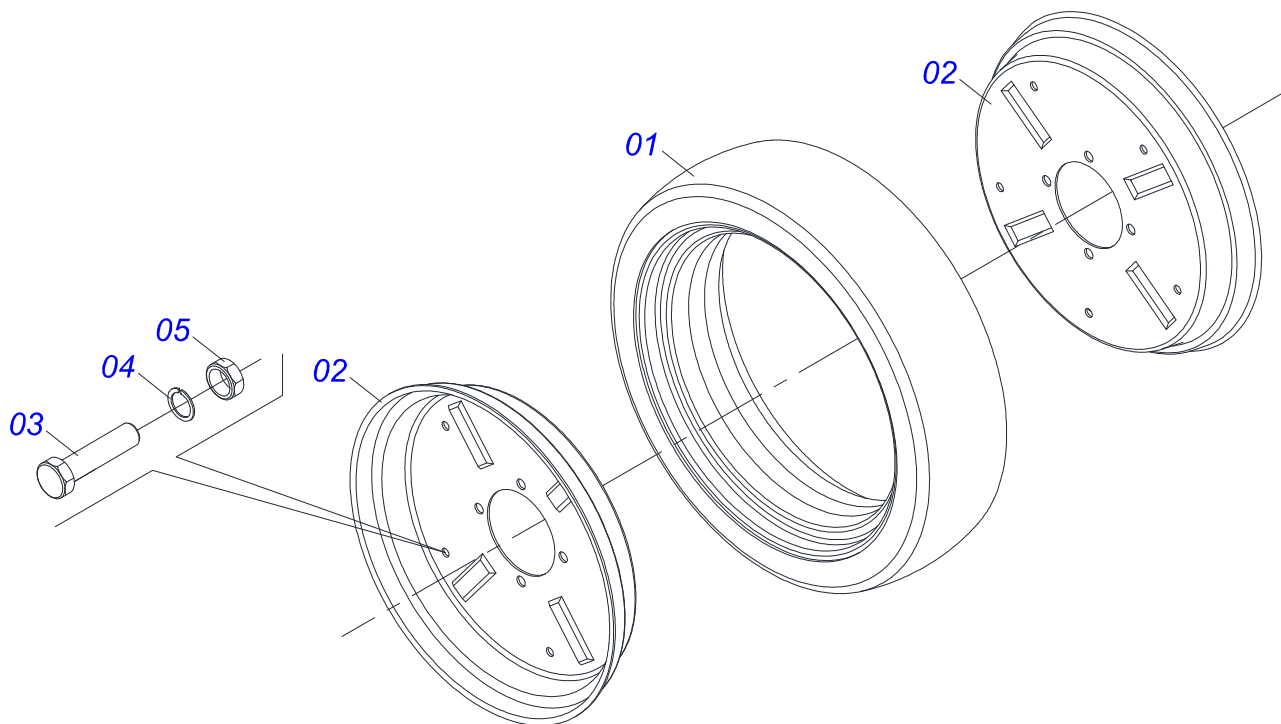
Item	Code	Description	
18	0521010539	0.3" X 1.2" COUPLING SHAFT	01
19	0503010140	1/8" X 3/4" COTTERPIN	01
20	0503030805	1.6" X 6" X 0.2" TRACTION SPRING	01
21	0501059631	RIGHT 15" X 15" SEED UNAL DOUB-DISC	01
22	0501059632	LH 15" X 15" SEED UNAL DOUBLE DISC	01



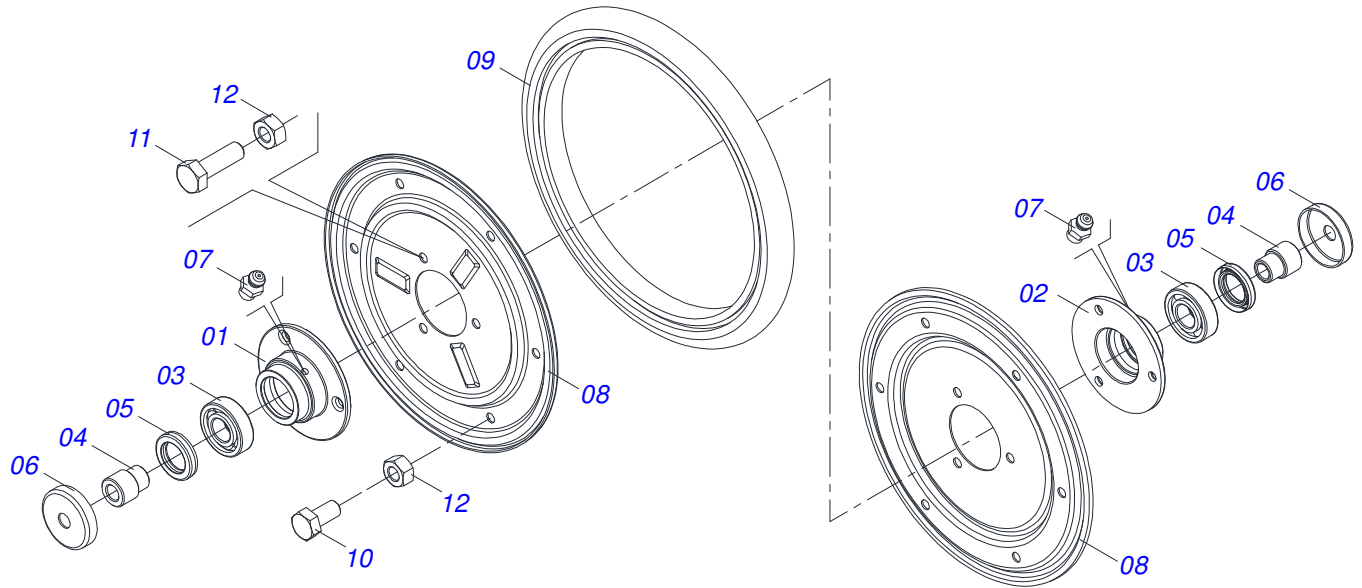
Item	Code	Description	DIR	ESQ
00	0501059631	RIGHT 15" X 15" SEED UNAL DOUB-DISC	01	00
00A	0501059632	LH 15"X15"SEED UNAL DOUBLE DISC	00	01
01	0511052301	DOBLE DISC SUPPORT W/GUIDE	01	00
01A	0561015591	15"X15" RIGHT DOUBLE DISC SUPPORT	01	00
01B	0571012491	SOCKET SEED GUIDE	01	01
01C	0503010838	0.1" X 0.8" SPRING PIN	02	02
02	0511052302	LH SUPPORT DDD W/ GUIDE	00	01
02A	0561015592	15" X 15" RIGHT DOUBLE DISC SUPPORT	00	01
03	0511015098	FLAT WASHER	06	06
04	0511011927	DUST CLOAK	02	02
05	0501054167	DOUBLE DISC HUB WITH 15" COULTER	01	00
05A	0502011930	DOUBLE DISC COULTER BOX	02	02
05B	0503010598	30204 BALL BEARING	04	04
05C	0503011112	SEAL 02376-BRG	02	02
05D	0521019154	RIGHT DOUB DISC HUB	01	00
05E	0503030282	3/4" CASTLE NUT	02	02
05F	0503010257	1/8" X 1" COTTERPIN	02	02
05G	0603022042	13" X 0.12" PLAIN COULTER BLADE	02	02
05H	0503010546	5/16" X 7/8" BOLT	12	12
05I	0503010337	5/16" NUT	12	12
06	0501054168	LEFT UNAL DOBLE-DISC BOX ASSY	00	01
06A	0521019148	LEFT DOUBLE DISC HUB	00	01
07	0503030757	2.9" X 2" X 0.02" JOINT	02	02
08	0521019178	COVER DEPTH	02	02
09	0503014729	1/4" UNF X 1/2" BOLT	06	06
10	0503011441	SPRING WASHER	06	06
11	0561010264	RH DOUBLE DISC SCRAPER	01	01
12	0561010265	LH DOUBLE DISC SCRAPER	01	01
13	0503010751	C3/8" X 1.1/4" HEX BOLT G.5	01	01
14	0501010984	FLAT WASHER	02	02
15	0503011443	SPRING WASHER	01	01
16	0503010026	3/8" NUT	01	01



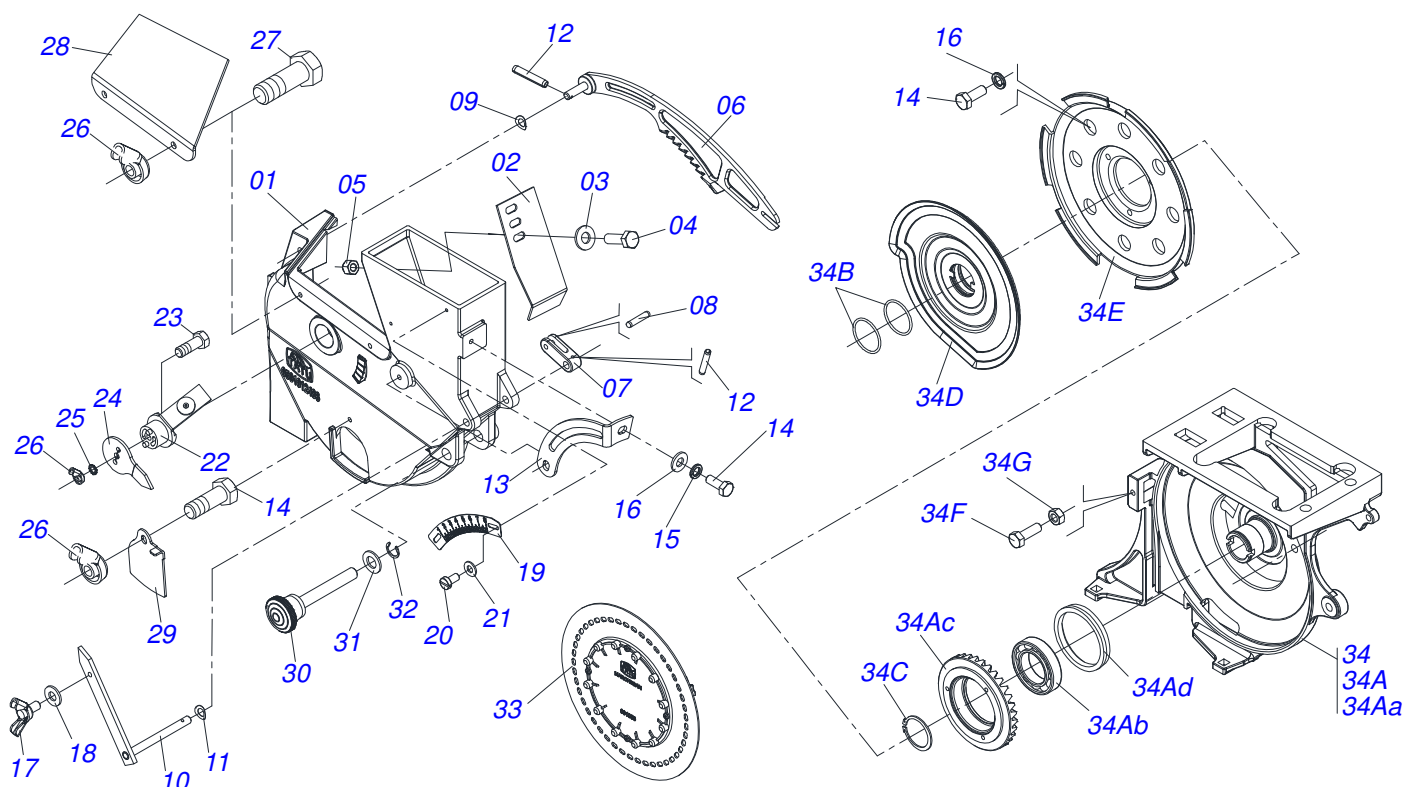
Item	Code	Description	QT
01	0511060927	DEPTH CONTROL AXLE WITH DUST CLOAK	01
02	0502011907	DEPTH CONTROL WHEEL HUB	01
03	0503010269	6204 BALL BEARING	02
04	0501013636	SPACING SLEEVE	01
05	0503010689	SEAL 00763-BR	01
06	0503011105	SEAL RING	01
07	0503010878	5/8" SELF ALIGNING NUT	01
08	0521019178	COVER DEPTH	01
09	0503030757	2.9" X 2" X 0.02" JOINT	01
10	0503014729	1/4" UNF X 1/2" BOLT	03
11	0503011441	SPRING WASHER	03
12	0503010691	1/4" GREASE FITTING	01



Item	Code	Description	QT
01	0503030551	DEPTH CONTROL WHEEL RUBBER BAND	01
02	0521010832	RIM FLANGE	02
03	0503010298	1/4" X 1/2" BOLT	05
04	0503010143	SPRING WASHER	05
05	0503010144	1/4" NUT	05



Item	Code	Description	QT
01	0502011919	PRESS WHEEL HUB	01
02	0502011877	PRESS WHEEL HUB	01
03	0503010269	6204 BALL BEARING	02
04	0521018922	PRESS WHEEL PASSANG AXLE	02
05	0503012734	SEAL 01556 BR	02
06	0521018921	DUST CLOAK	02
07	0503010691	1/4" GREASE FITTING	01
08	0521018928	PRESS WHEEL RIM	02
09	0503031421	DEPTH CONTROL WHEEL RUBBER BAND	01
10	0503010011	5/16" X 1/2" BOLT	06
11	0503010358	5/16" X 5/8" BOLT	03
12	0503013816	5/16" LOCKNUT	03



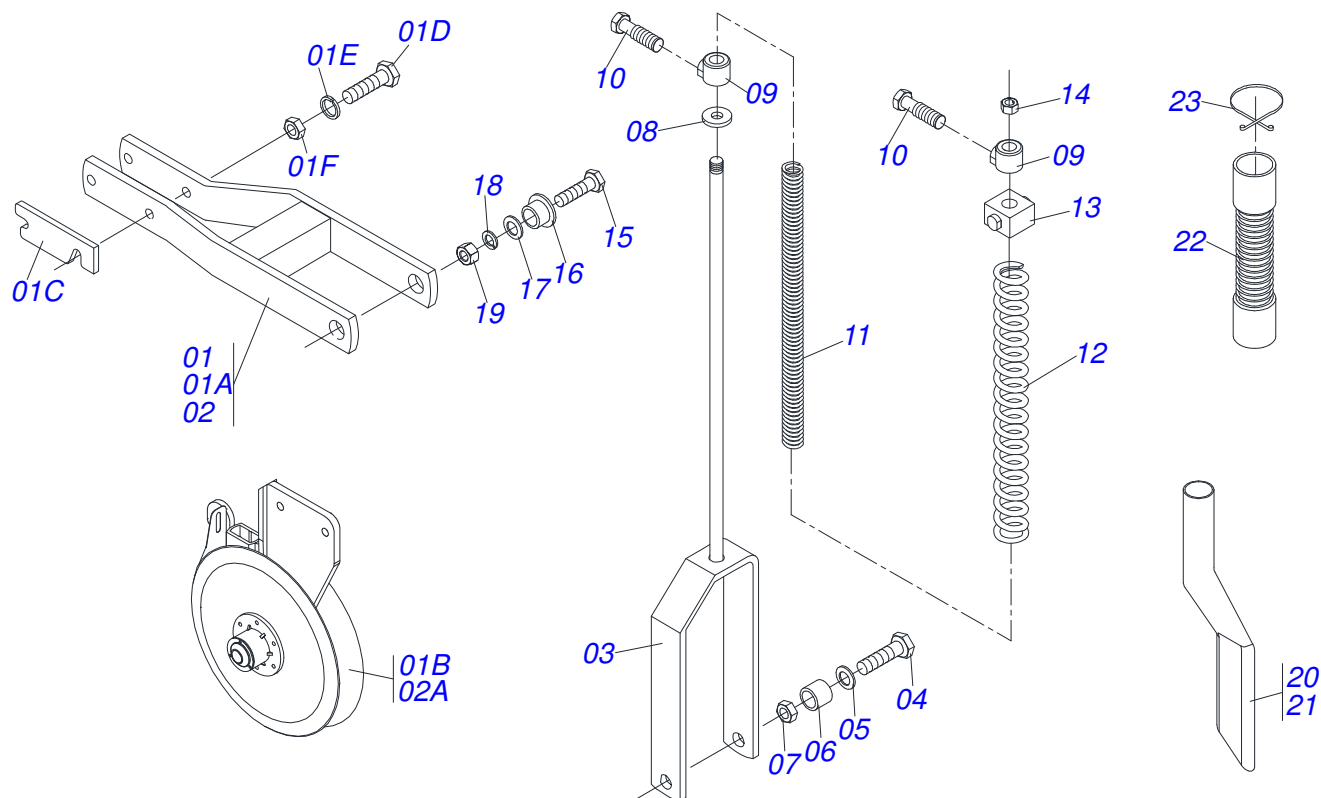
Item	Code	Description	QT
00	0521040809	PNEUMATIC SEED DISTRIBUTOR	01
01	0561012486	LATERAL COVER	01
02	0511017186	SEED LEVEL REGULATOR	01
03	0511017303	FLAT WASHER	01
04	0503014141	M6 X 1 X 20 BOLT	01
05	0503011776	M6 SELF ADJUSTINGNUT	01
06	0503011817	UPPER SELECTOR	01
07	0502020559	UPPER SELECTOR ACTUATOR	01
08	0531014481	0.2" X 0.6" AXLE	01
09	0503011821	CRINKLE WASHER	01
10	0501067818	SCALE INDICATOR WITH PIN	01
11	0503011820	CRINKLE WASHER	02
12	0503011823	0.1" X 0.6" SPRING PIN	02
13	0511017219	SCALE INDICATOR GUIDE	01
14	0503011378	M6 X 1" BOLT	06
15	0511017303	FLAT WASHER	02
16	0503010143	SPRING WASHER	05
17	0503011810	M6 X 1" BUTTERFLY BOLT	01
18	0511017303	FLAT WASHER	01
19	0503031058	UPPER SELECTOR SCALE	01
20	0503011825	M4 X 8" BOLT	02
21	0503011840	FLAT WASHER	02
22	0501110311	LOWER SELECTOR ASSY	01
23	0503011813	M6 X 1.2" BOLT	01
24	0511016220	LOWER SELECTOR INDICATOR	01
25	0503011815	TOOTHED WASHER	01
26	0503012445	M6 C/ABA 1.20" BUTTERFLY NUT	04
27	0503011104	M6 X 1" BOLT	02
28	0503013179	PNEUMATIC SEED DISTRIBUTOR VISOR	01
29	0561012741	SEED DRAINER COVER	01
30	0503011809	M12 KNOB	01
31	0503011828	FLAT WASHER	01
32	0503011827	504.100 CLAMPING RING (FOR HOLE)	01



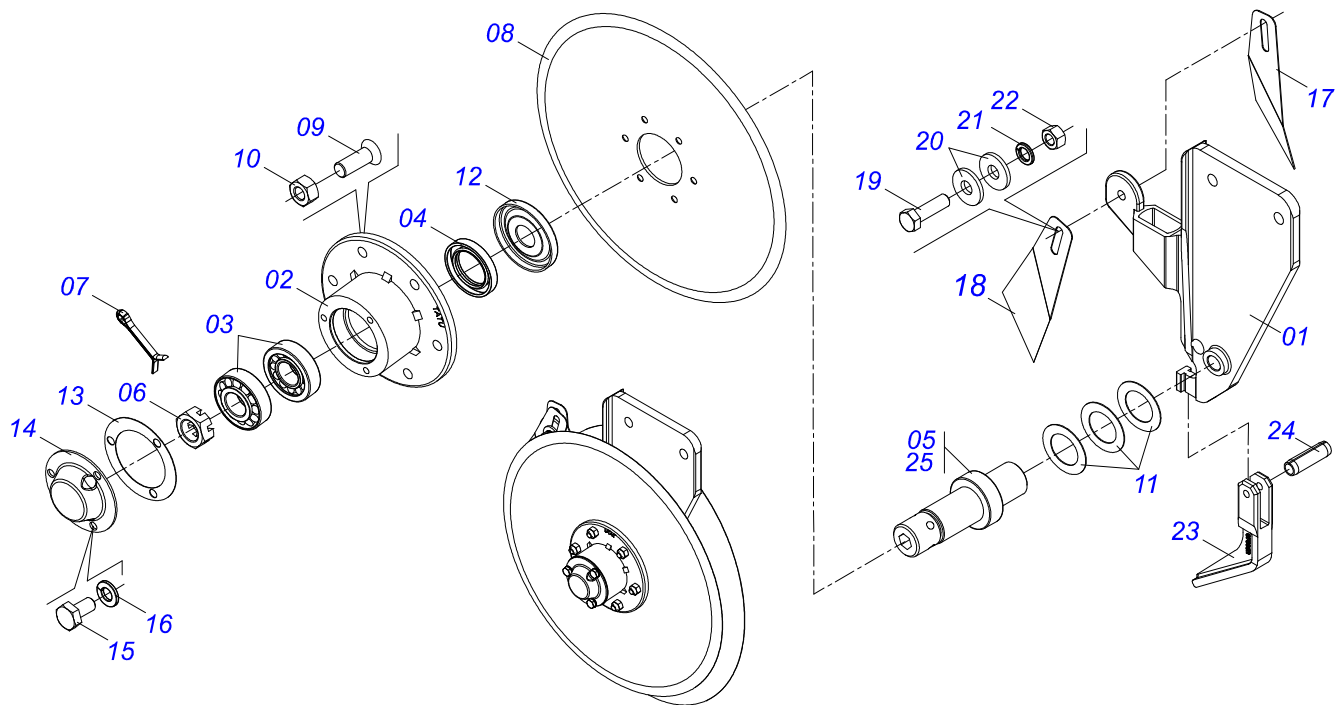
PNEUMATIC SEED DISTRIBUTOR

0521040809

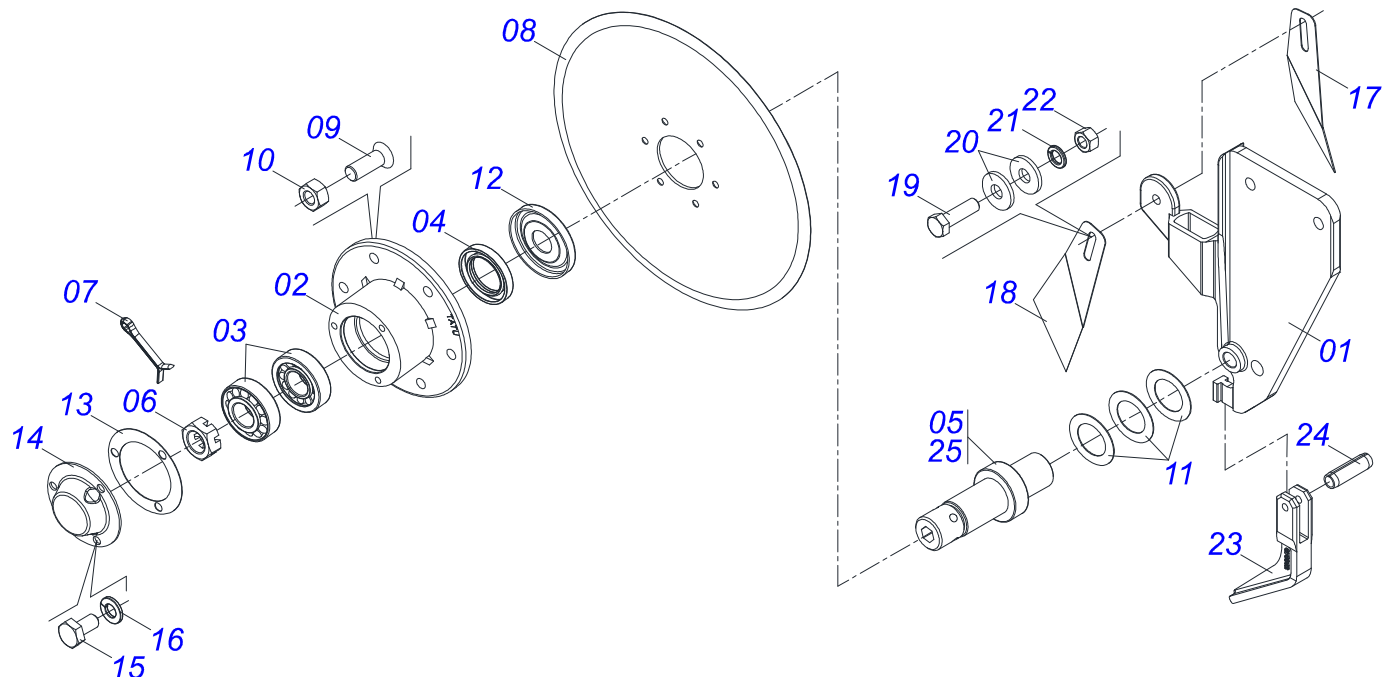
Item	Code	Description	QT
33	0503033681	45F (10X6) PEANUT DISC	01
34	0511050075	PNEUMATIC DISTRIBUTOR SUPPORT	01
34A	0501110649	INNER SUPPORT NEUMATIC SEED DISTR	01
34Aa	0502012599	PNEUMATIC SEED DISTRIBUTOR SUPPORT	01
34Ab	0503011771	6008 2RS BALL BEARING	01
34Ac	0502012649	18Z CONICAL GEAR 34 TEETH	01
34Ad	0503011770	SEAL # V-75 A	01
34B	0503012849	2-129 N 3006 9B O'RING	02
34C	0503010217	501040 CLAMPING RING (FOR AXLE)	01
34D	0503033121	PNEUMATIC SWITCH	01
34E	0502050003	SUPPORT INTERNAL DISC SEED VULCANIZ	01
34F	0503011295	M 8 X 1,25 X 25 BOLT	01
34G	0503010427	METRIC M8 X P.0.5" NUT	01



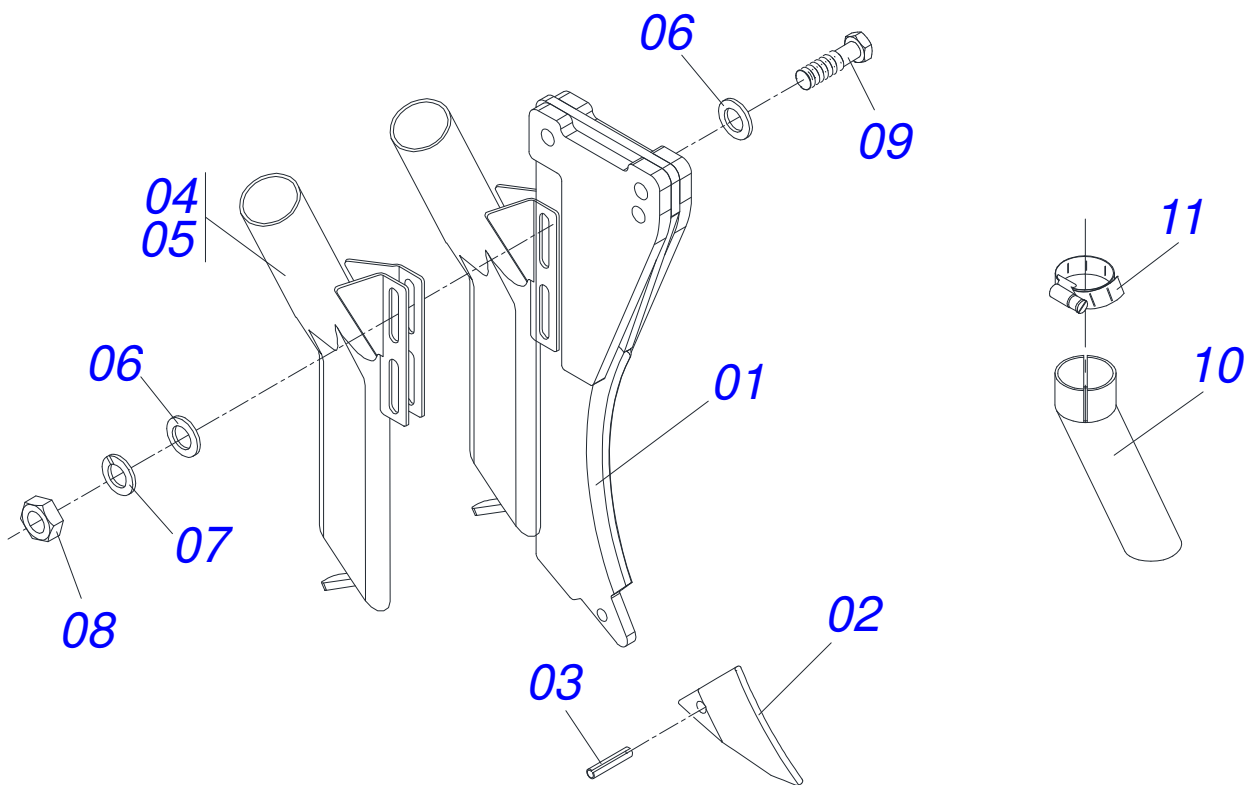
Item	Code	Description	Dir Esq
00	0501054379	RIGHT FERTILIZER ROW	01 00
00A	0501054380	LEFT FERTILIZER ROW	00 01
01	0501053348	RH FERTILIZER ROW ARM	01 00
01A	0511062695	FERTILIZER ARM ROW	01 01
01B	0501052976	15 X 15 RIGHT FERT UNAL DOUB-DISC ASSY	01 00
01C	0511018662	SPACING PLATE	06 06
01D	0503010706	1/2" X 4.1/2" BOLT	01 01
01E	0503011440	SPRING WASHER	01 01
01F	0503010060	1/2" NUT	01 01
02	0501053349	LH FERTILIZER ROW ARM	00 01
02A	0501052977	15 X 15 LEF FERT UNAL DOUB-DISC ASSY	00 01
03	0511062702	FERTILIZER SPRING GUIDE	01 01
04	0503011411	1/2" X 5-1/2" BOLT	01 01
05	0511017302	FLAT WASHER	02 02
06	0521010445	0.53" X 0.75" X 0.45" SLEEVE	02 02
07	0503011336	1/2" HEX SELF ADJUSTING NUT	01 01
08	0501013753	FLAT WASHER	01 01
09	0502040534	SPRING GUIDE BUSHING LOCK	02 02
10	0501018535	1/2 X 1 BOLT	02 02
11	0503030609	1"X11.81"X 0.16" COMPRESSION SPRING	01 01
12	0503030917	1.6"X11.8"X 0.2" COMPRESSION SPRING	01 01
13	0502011538	SPRING GUIDE	01 01
14	0503010013	5/8" NUT	01 01
15	0501010066	3/4" X 9" BOLT	01 01
16	0521017831	SUPPORT SLEEVE SPACER	02 02
17	0511017232	FLAT WASHER	02 02
18	0503010023	SPRING WASHER	01 01
19	0503010014	3/4" NUT	01 01
20	0503030391	RIGHT FERTILIZER SOCKET	01 00
21	0503030392	LEFT FERTILIZER SOCKET	00 01
22	0503030408	10 X 2 X 390 HOSE	01 01
23	0503031076	2" HOSE CLAMP	02 02



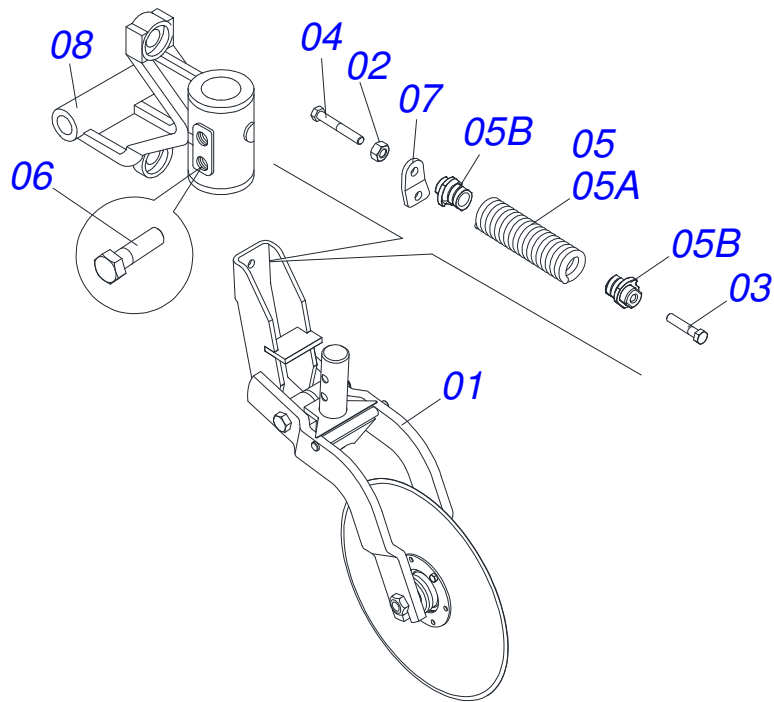
Item	Code	Description	QT
01	0502011160	15"X15" RIGHT DOUBLE DISC SUPPORT	01
02	0502011930	DOUBLE DISC COULTER BOX	02
03	0503010598	30204 BALL BEARING	04
04	0503011112	SEAL 02376-BRG	02
05	0521019148	LEFT DOUBLE DISC HUB	01
06	0503030282	3/4" CASTLE NUT	02
07	0503010257	1/8" X 1" COTTERPIN	02
08	0603022042	13" X 0.12" PLAIN COULTER BLADE	02
09	0503010546	5/16" X 7/8" BOLT	12
10	0503010337	5/16" NUT	12
11	0511015098	FLAT WASHER	06
12	0511011927	DUST CLOAK	02
13	0503030757	2.9" X 2" X 0.02" JOINT	02
14	0521019178	COVER DEPTH	02
15	0503014729	1/4" UNF X 1/2" BOLT	06
16	0503011441	SPRING WASHER	06
17	0501017542	LH DOUBLE DISC SCRAPER	01
18	0501017541	RH DOUBLE DISC SCRAPER	01
19	0503010751	C3/8" X 1.1/4" HEX BOLT G.5	01
20	0501010984	FLAT WASHER	02
21	0503011443	SPRING WASHER	01
22	0503010026	3/8" NUT	01
23	0502070062	SCRAPER	01
24	0503011402	0.2" X 0.8" SPRING PIN	01
25	0521019154	RIGHT DOUB DISC HUB	01



Item	Code	Description	QT
01	0502011161	15"X15" LEFT DOUBLE DISC SUPPORT	01
02	0502011930	DOUBLE DISC COULTER BOX	02
03	0503010598	30204 BALL BEARING	04
04	0503011112	SEAL 02376-BRG	02
05	0521019148	LEFT DOUBLE DISC HUB	01
06	0503030282	3/4" CASTLE NUT	02
07	0503010257	1/8" X 1" COTTERPIN	02
08	0603022042	13" X 0.12" PLAIN COULTER BLADE	02
09	0503010546	5/16" X 7/8" BOLT	12
10	0503010337	5/16" NUT	12
11	0511015098	FLAT WASHER	06
12	0511011927	DUST CLOAK	02
13	0503030757	2.9" X 2" X 0.02" JOINT	02
14	0521019178	COVER DEPTH	02
15	0503014729	1/4" UNF X 1/2" BOLT	06
16	0503011441	SPRING WASHER	06
17	0501017542	LH DOUBLE DISC SCRAPER	01
18	0501017541	RH DOUBLE DISC SCRAPER	01
19	0503010751	C3/8" X 1.1/4" HEX BOLT G.5	01
20	0501010984	FLAT WASHER	02
21	0503011443	SPRING WASHER	01
22	0503010026	3/8" NUT	01
23	0502070062	SCRAPER	01
24	0503011402	0.2" X 0.8" SPRING PIN	01
25	0521019154	RIGHT DOUB DISC HUB	01



Item	Code	Description	QT
01	0501110231	SCARIFIER SPINDLE	01
02	0502070061	POINT SUBSOILER	01
03	0503011373	0.4" X 1.1" SPRING PIN	03
04	0511061769	FERTILIZER CONDUCTOR RIGHT	01
05	0511061770	FERTILIZER CONDUCTOR LEFT	01
06	0501010984	FLAT WASHER	04
07	0503010025	3/8 SPRING WASHER	02
08	0503010026	3/8" NUT	02
09	0503010751	C3/8" X 1.1/4" HEX BOLT G.5	02
10	0503031050	CURVED CONDUCTOR	01
11	0503010246	CLAMP	01



Item	Code	Description	
01	0501056428	ROW 16 BLADE DISC ASSY	01
02	0503010060	1/2" NUT	01
03	0503011264	1/2" X 2-1/2" BOLT	01
04	0503013329	1/2" UNC X 4-3/4" BOLT	01
05	0511057192	EXTENSION SPRING	01
05A	0503031681	2.1" X 7.78" EXTENSION SPRING	01
05B	0502011031	SPRING UPPER HITCH	02
06	0511016156	5/8" X 1.1/2" BOLT	02
07	0531012869	SUPPORT SPRING	01
08	0502011567	FERTILIZER ROW SUPPORT	01

ANNOTATIONS

ORIGINAL PARTS
TATU





MARCHESAN IMPLEMENTOS E MÁQUINAS AGRÍCOLAS TATU S.A.

AV. Marchesan, 1979 - Post office box, 131 - CEP 15994-900 - Matão - SP - Brazil

Phone +55 16.3382-8282

(FAX Parts) + 55 16.3382. 8297 - (Export) + 55 16.3382.1003

e.mail: tatu@marchesan.com.br www.marchesan.com.br

Technical Publications: Elaboration

ALESSANDRA PATRICIA KAWAHARA CARRILI

Technical Publications: Revision

JOSÉ DOMINGOS GASPARI

Contact Catálogo:

E-mail = jgaspari@marchesan.com.br

**ORIGINAL PARTS
TATU**

