

PARTS CATALOG

ROW CROP PLANTERS

COP AFRICA

Code: 0501090943



Series: S-0909

Rev.: 00

Date Rev.: JULHO/2012

ORIGINAL PARTS
TATU



PRODUCTS

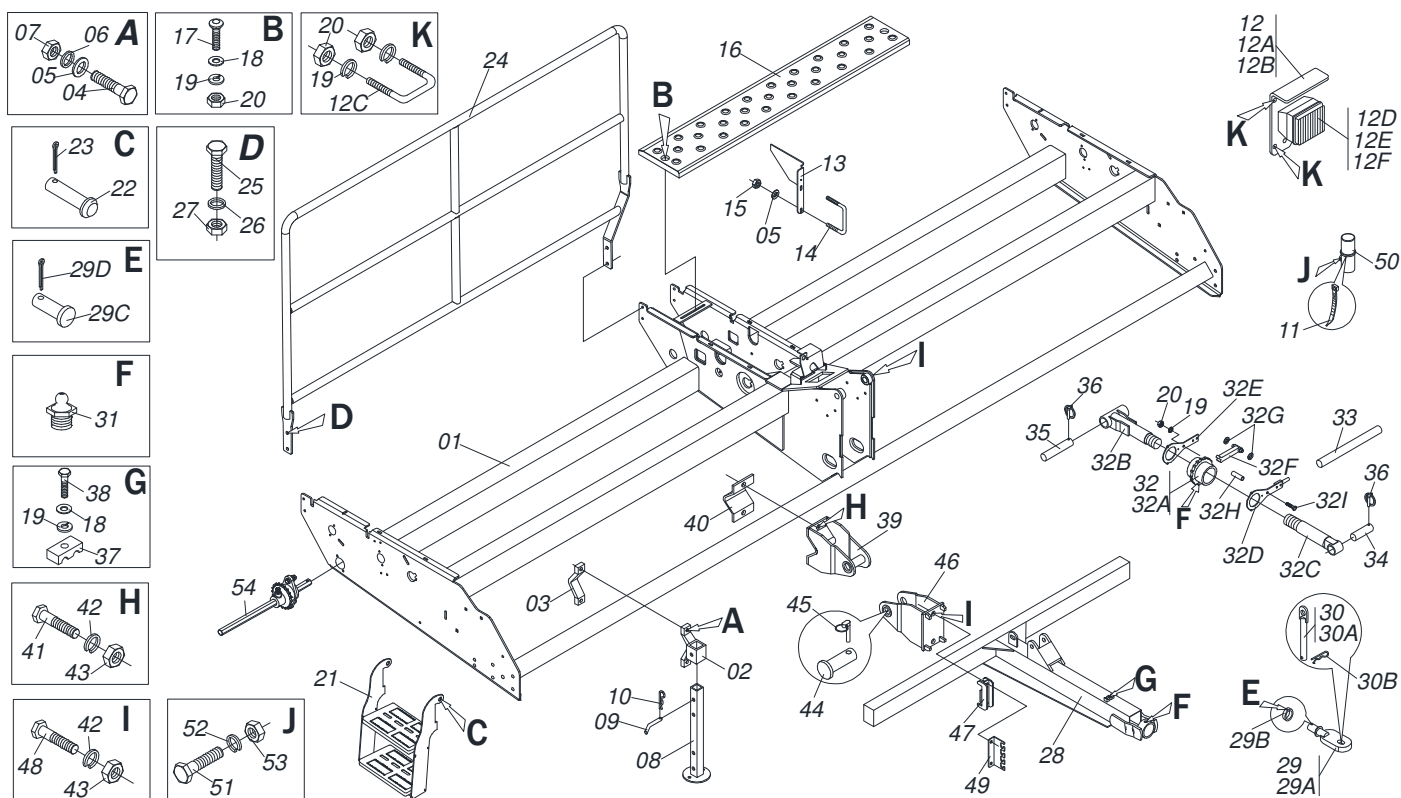
Code	Description	
0111110681	COP 11/11 AFRICA	S-0909

ATTENTION: **IMPORTANT**

MARCHESAN S/A RESERVES THE RIGHT AT ANY TIME TO MAKE IMPROVEMENTS IN THE DESIGN, MATERIAL OR SPECIFICATIONS OF MACHINERY, EQUIPMENT OR PARTS WITHOUT THEREBY BECOMING LIABLE TO MAKE SIMILAR CHANGES IN MACHINERY, EQUIPMENT OR PARTS PREVIOUSLY SOLD.

INDEX

0909093391	FRAME ASSY COP AFRICA	1
0909094790		2
0909093392	ROW MARK	3
0501050633	DISC ASSY FOR ROW MARKER	4
0511040203	1.5" X 2.5" X 19" X 9" HYDRAULIC CYLINDER	5
0909093393	ROW MARK HYDRAULIC CIRCUIT	6
0909093394	FERTILIZER BEAM	7
0909093395	WHEELS ASSY	8
0501049430	1.7" X 3.4" X 8" X 6" HYDRAULIC CYLINDER	9
0511040424	RH TRANSMISSION DRIVING ASSY	10
0909093396	CARRYING-WHEELS HYDRAULIC CYRCUIT	11
0909093397	TRANSMISSION	12
0909093035	GEAR BOX ASSY	13
0909093398	FRONT SEED ROW	14
0909093399	BEARING TENSIONER	15
0909093400	REAR SEED ROW	16
0909093401	SEED UNAL DOUB-DISC ASSY	17
0501059256	DEPTH CONTROL PRESS WHEEL ASSY	18
0501052954	PRESS WHEELS ASSY	19
0501052820	SEED SYSTEM ASSY	20
0501055129	CLOSE WHEEL STRIPED CENTER	21
0909093204	FERTILIZER ROW ASSY	22
0909093361	15X15 SEED UNAL DOUBLE-DISC ASSY	23
0909093211	18" BLADE DISC FOR SHORT LINE ASSY	24
0501052139	18 BLADE DISC WITH FLAT PLAN DISC	25
0909093402	ROD SCARIFIER SPINDLE ASSY	26

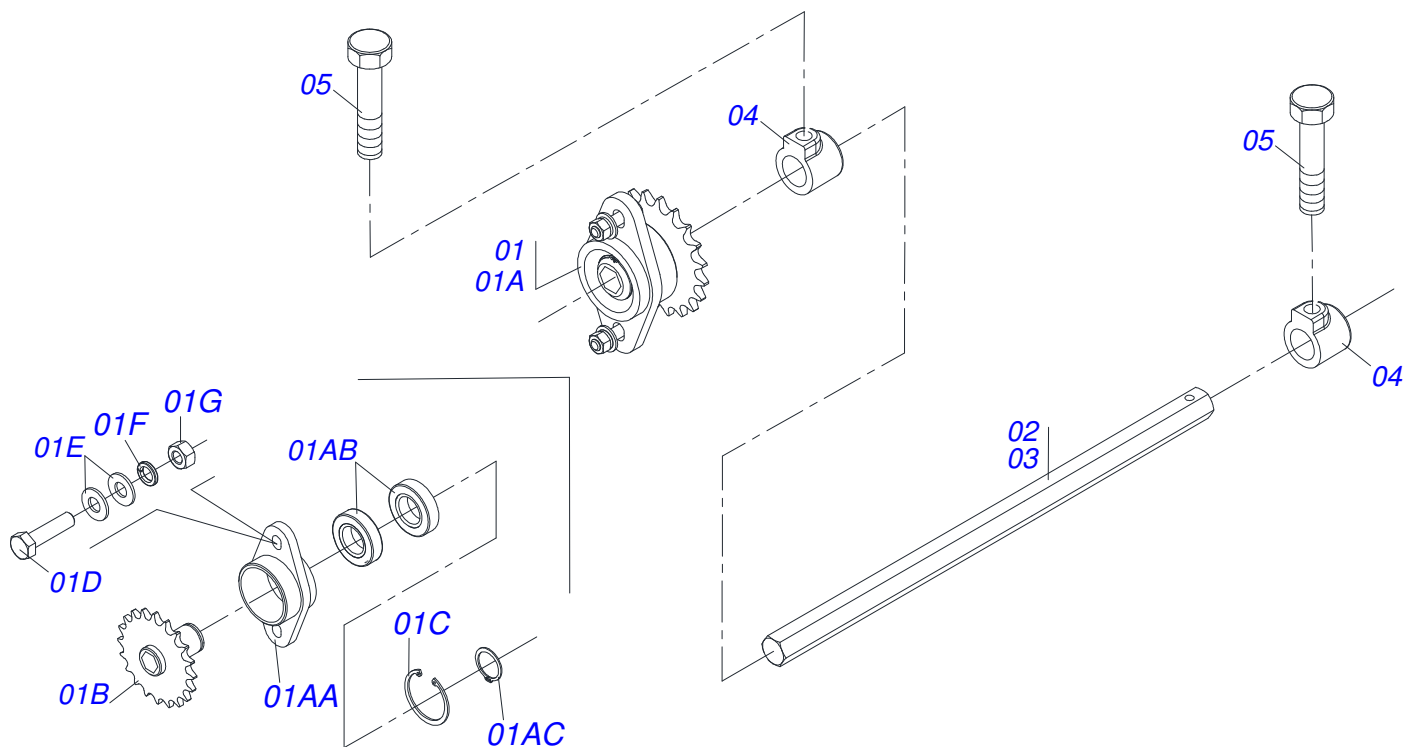


Item	Code	Description	QT
01	0521061133	11 ROWS FRAME	01
02	0502011530	SUPPORT	02
03	0502010175	HITCH CLAMP	02
04	0501011543	5/8" X 4" BOLT	04
05	0501012140	FLAT WASHER	12
06	0503010027	SPRING WASHER	04
07	0503010013	5/8" NUT	04
08	0511061835	PLOUGH SUPPORT	02
09	0501011075	PIN	02
10	0503030012	HAIR PIN	02
11	0503010267	NYLON CLAMP	01
12	0501059320	REAR HEADLIGHT ASSY	01
12A	0551019882	SUPPORT FLASHLIGHT	01
12B	0551019883	SUPPORT FLASHLIGHT LEFT	01
12C	0551019884	45 X 50 X 3/8 FASTENER	06
12D	0503032811	FLASHLIGHT	02
12E	0503032812	1141 12V LAMP	04
12F	0503032813	67 12V 5W LAMP	02
13	0531019337	PLATFORM SUPPORT	04
14	0521010718	5/8" U BOLT	04
15	0503012412	HEX SELF ADJUSTING NUT 5/8 UNC S	08
16	0531019201	PLATAFORM COP 11 S-0303	02
17	0501010080	3/8" BOLT	04
18	0501010984	FLAT WASHER	05
19	0503010025	3/8 SPRING WASHER	22
20	0503010026	3/8" NUT	21
21	0511064701	LADDER	02
22	0521017623	0.5" X 1.5" COUPLING SHAFT	04
23	0503010257	1/8" X 1" COTTERPIN	04
24	0511069660	HANDRAIL COP FLEX 600 11	02
25	0503010395	1/2" X 1-1/4" BOLT	08
26	0503010019	1/2" SPRING WASHER	08
27	0503010060	1/2" NUT	08

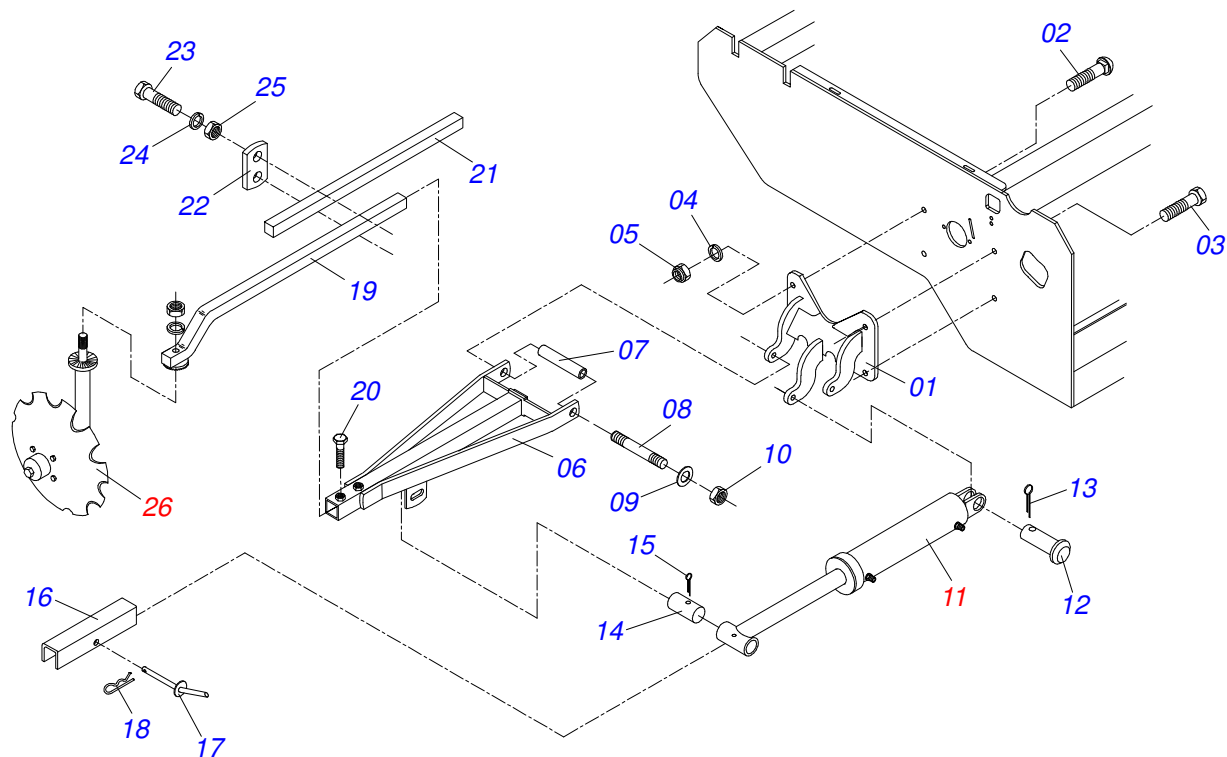


COP AFRICA
FRAME ASSY COP AFRICA

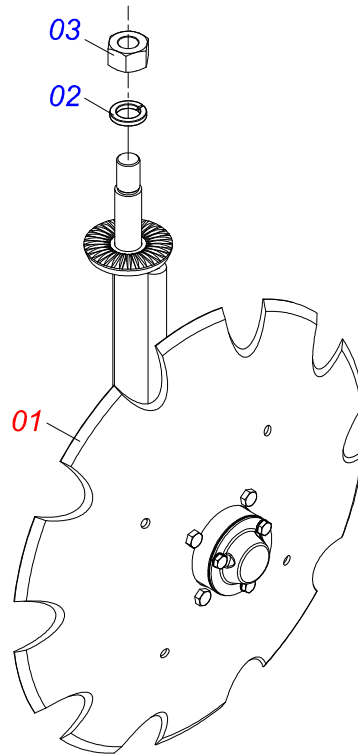
Item	Code	Description	QT
28	0511065905	DRAWBAR COP-CE	01
29	0501051160	TRACTOR HITCH PIN	01
29A	0502040556	HITCH TURNER	01
29B	0521010681	BUSHING COUPLING BODY	01
29C	0521010639	COUPLING SHAFT	01
29D	0503010571	1/4" X 1.1/2 COTTERPIN	01
30	0501047881	COUPLING SHAFT	01
30A	0501068989	COUPLING SHAFT	01
30B	0503031035	HAIR PIN	01
31	0503010002	1800 GREASE FITTING	02
32	0501053027	DRAWBAR ESTABILIZER	01
32A	0502011237	ESTABILIZER BODY	01
32B	0511061878	RH SCREW ARBOR	01
32C	0511061879	LH SCREW ARBOR	01
32D	0511061880	SIDE RIGHT RATCHET	01
32E	0531010264	SIDE RATCHET	01
32F	0511061881	RATCHET FOLLOWER	01
32G	0521018517	FLAT WASHER	02
32H	0521018920	0.4" X 0.5" X 0.2" SLEEVE	03
32I	0503011179	3/8" X 2-1/4" BOLT	05
33	0521018501	TURNBUCKLE LEVER	01
34	0521018531	1.4" X 4.5" COUPLING SHAFT	01
35	0521018532	1.4" X 12" COUPLING SHAFT	01
36	0503030085	LOCK PIN	02
37	0502010477	UPPER CLIP	01
38	0503010751	C3/8" X 1.1/4" HEX BOLT G.5	01
39	0511062833	DRAWBAR FIXATION REAR SUPPORT	04
40	0531012341	DRAWBAR BODY SUPPORT FIXATION	04
41	0503011084	3/4" X 5" BOLT	08
42	0503010023	SPRING WASHER	16
43	0503010014	3/4" NUT	16
44	0561014393	COUPLING SHAFT	04
45	0503030119	LOCK PIN	04
46	0511065418	DRAWBAR SUPPORT FRONT FIXATION	04
47	0511065419	DRAWBAR FIXER CLAMP	04
48	0521010066	3/4" X 8.12" BOLT	08
49	0541014576	HOSE FIXER ASSY	01
50	0503060100	HAND BOOK COMPARTMENT	01
51	0503010358	5/16" X 5/8" BOLT	01
52	0503010179	SPRING WASHER	01
53	0503010337	5/16" NUT	01
54	0909094790		01



Item	Code	Description	QT
001	0501053653	BEARING WITH 20Z GEAR	02
001A	0501053654	5/8 DOUB BEARING OF THE SEED TRANSM	02
001AA	0502012031	HOUSING BEARING	02
001AB	0503012861	6006 2RS BALL BEARING	04
001AC	0503012858	502075 CLAMPING RING (FOR HOLE)	02
001B	0511063185	20Z GEAR WITH HEX HOLE AXLE, 20	02
001C	0503010707	501030 CLAMPING RING (FOR AXLE)	02
001D	0503010365	NUT	04
001E	0501010694	FLAT WASHER	08
001F	0503010179	SPRING WASHER	04
001G	0503010337	5/16" NUT	04
002	0561018833	3/4 X 2230 HEX AXLE	01
003	0561018834	3/4 X 2610 HEX AXLE	01
004	0511063123	BUSHING WITH NUT	04
005	0503010834	1/2 X 1 BOLT	05

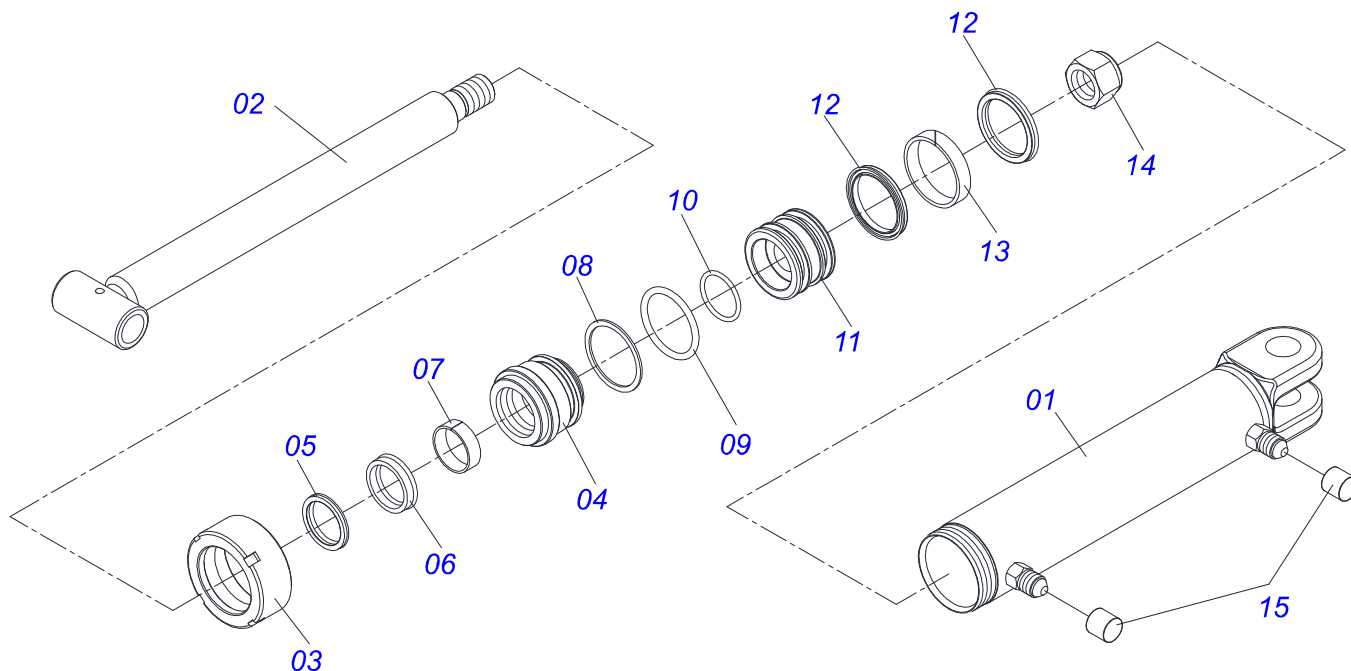


Item	Code	Description	QT
01	0511060051	ROW MARKER SUPPORT	02
02	0503012699	5/8" X 2" BOLT	06
03	0501010100	5/8 UNC X 2 C S G.5 BOLT	02
04	0503010027	SPRING WASHER	08
05	0503012412	HEX SELF ADJUSTING NUT 5/8 UNC S	08
06	0511061811	ROW MARKER ARM	02
07	0521017687	SPACING SLEEVE	02
08	0521061655	BOLT 5/8 UNC X 320	02
09	0501012140	FLAT WASHER	04
10	0503012795	5/8" HEX SELF ADJUSTING NUT	04
11	0511040203	1.5" X 2.5" X 19" X 9" HYDRAULIC CYLINDER	02
12	0521010575	C0.9" X 3.3" COUPLING SHAFT	02
13	0503010571	1/4" X 1.1/2" COTTERPIN	02
14	0511015779	1" X 4.2" AXLE	02
15	0503010523	1/4" X 2" COTTERPIN	02
16	0511017592	11.8" X 1.6" TRANSPORT LOCK	02
17	0501068994	0.3" X 3.1" LOCK PIN	02
18	0503030168	HAIR PIN	02
19	0501066949	1235 TURNBUCKLE	02
20	0503010962	5/8" X 1-1/4" BOLT	04
21	0521013164	PROTRACTOR TURNBUCKLE	02
22	0501011310	FIXER LOCK	08
23	0503010706	1/2" X 4.1/2" BOLT	08
24	0503010019	1/2" SPRING WASHER	08
25	0503010060	1/2" NUT	08
26	0501050633	DISC ASSY FOR ROW MARKER	02

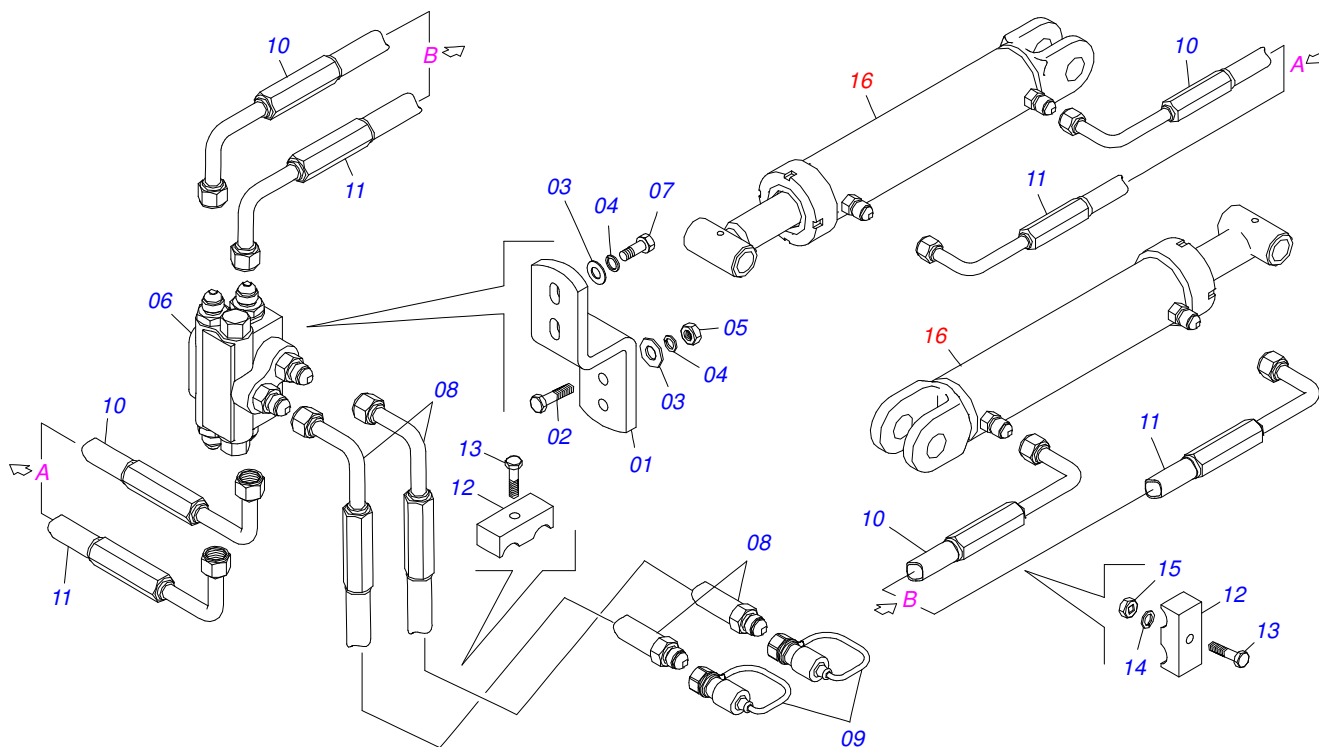


Item	Code	Description	QT
01	0511053904	ROW MARKER DISC	01
02	0503010023	SPRING WASHER	01
03	0503010014	3/4" NUT	01

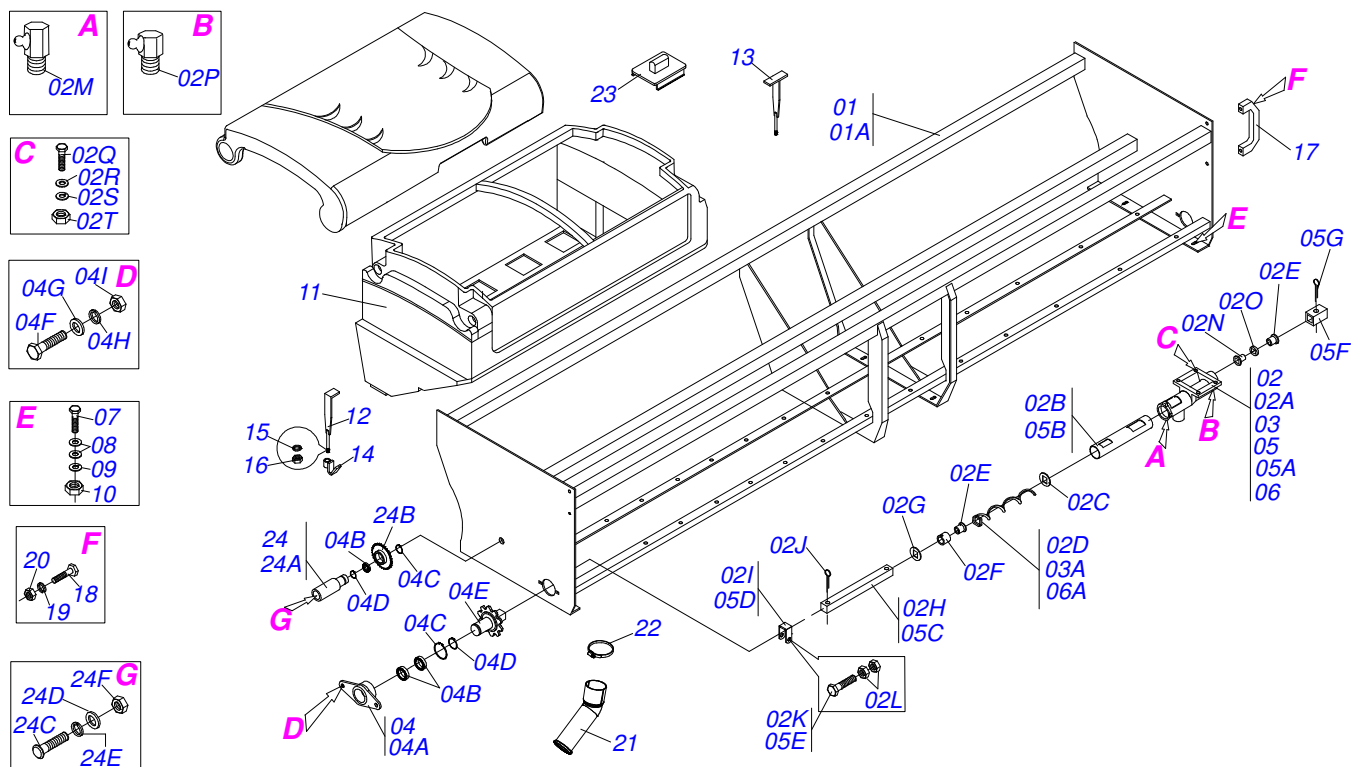
1.5" X 2.5" X 19" X 9" HYDRAULIC CYLINDER



Item	Code	Description	QT
01	0511062810	2.5" X 15" CYLINDER CASE	01
02	0501065662	HYDRAULIC CYLINDER TURNBUCKLE	01
03	0502010471	MOBILE COVER	01
04	0502010780	RING SUPPORT	01
05	0503010163	D-1500 SCRAPER RING	01
06	0503010989	1870-1500-375-B GASKET	01
07	0503010970	W1-1650-500 PK O'RING G.E	01
08	0503011058	8-330 BACK-UP RING	01
09	0503010161	2-330 N 3006 9B O'RING	01
10	0503010285	2-222 N 3006-9B O'RING	01
11	0502010783	1.5" X 2.5" PISTON	01
12	0503010160	2500 2000 GASKET	02
13	0503010973	W2-2500-500 PK O'RING G.E	01
14	0503010063	1" SELF-ALIGNING NUT	01
15	0503030384	CON N-001 PLUG	02
16	0501032666	HYDRAULIC CYLINDER REPAIR KIT	01



Item	Code	Description	QT
01	0521019491	VALVE FIXER	01
02	0501010096	3/8" X 2" BOLT	02
03	0501010984	FLAT WASHER	04
04	0503010025	3/8 SPRING WASHER	04
05	0503010026	3/8" NUT	02
06	0501054649	SEQUENTIAL VALVE ASSY	01
07	0503010237	3/8" X 1" BOLT	02
08	0501080385	3/8" X 149" TC-TM HOSE ASSY	02
09	0501053834	FAST COUPLER AGRICULTURAL WITH COVER - 1/2	02
10	0501080750	3/8" X 149" TC-TC HOSE ASSY	02
11	0501080578	TC-TC HOSE ASSY	02
12	0502010477	UPPER CLIP	03
13	0503010751	C3/8" X 1.1/4" HEX BOLT G.5	03
14	0503010025	3/8 SPRING WASHER	03
15	0503010026	3/8" NUT	03
16	0511040203	1.5" X 2.5" X 19" X 9" HYDRAULIC CYLINDER	02



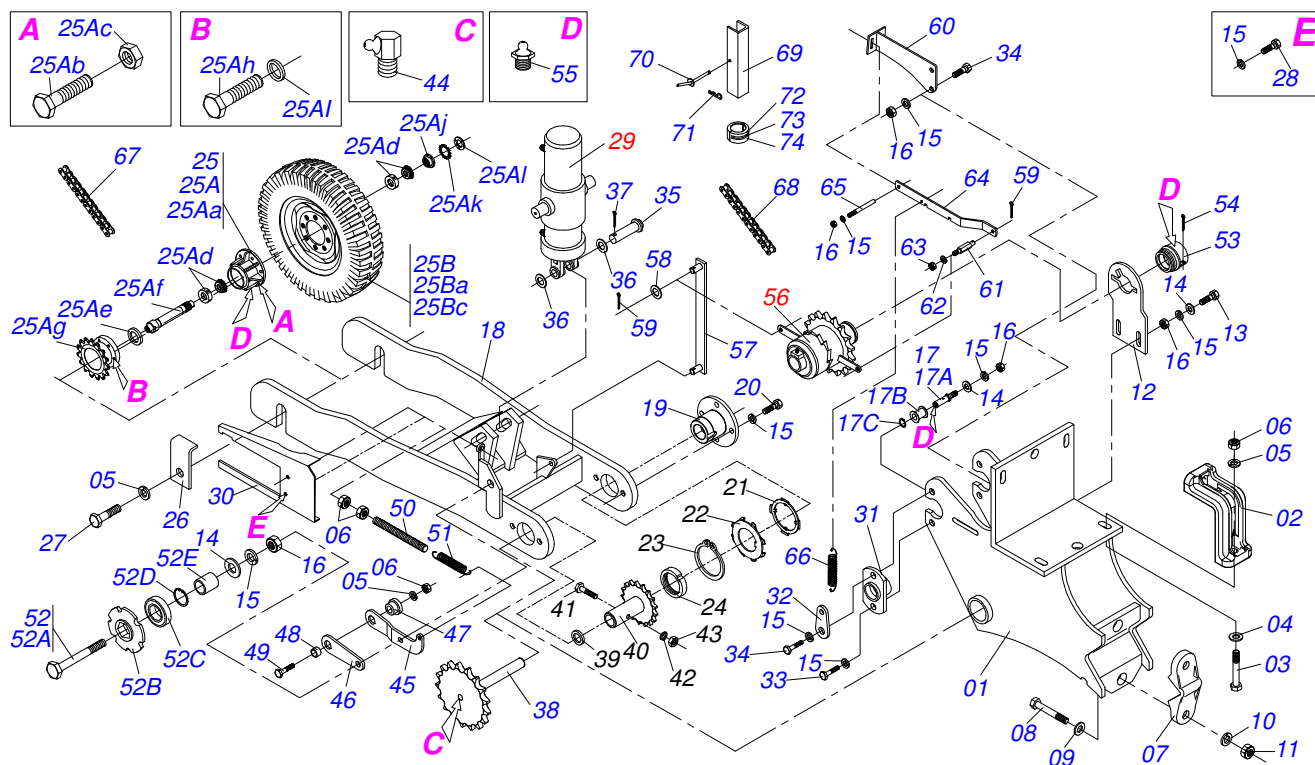
Item	Code	Description	DIR ESQ
01	0501052814	BEAM SUPPORT & METERING	01 01
01A	0511061870	FERTILIZER BEAM SUPPORT	01 01
02	0501052400	RIGHT FERTILIZER METERING	01 00
02A	0501110453	FERTILIZER DISTRIBUTOR BODY	01 01
02B	0541016687	268 FERTILIZER TUBE	01 01
02C	0501010637	FLAT WASHER	02 02
02D	0503031164	RIGHT HELICAL CONDUTOR	02 00
02E	0503030275	AGRICULTURAL BEARING	04 04
02F	0521010309	SLEEVE INTER	02 02
02G	0511017137	FLAT WASHER	02 02
02H	0501017391	3/4" X 14.3" SQUARE SHAFT	02 02
02I	0501017476	DRAGING	01 01
02J	0503013155	1/4" X 1.1/4" COTTERPIN	04 04
02K	0503010397	5/16" X 1-3/4" BOLT	01 01
02L	0503010337	5/16" NUT	03 02
02M	0503011962	GREASE FITTING	02 02
02N	0503030303	SUPPORT WASHER	02 02
02O	0501013774	GREASE SEAL	02 02
02P	0503012826	CREASE FITTING	02 02
02Q	0503010751	C3/8" X 1.1/4" HEX BOLT G.5	08 08
02R	0501010984	FLAT WASHER	08 08
02S	0503011443	SPRING WASHER	08 08
02T	0503010026	3/8" NUT	08 08
03	0501052423	LH FERTILIZER METERING	00 01
03A	0503031165	LEFT HELICAL CONDUTOR	00 01
04	0501052805	BEARING FERTILIZER TRANSMISSION	01 01
04A	0502011971	HOUSING WITH DOUBLE BEARING	01 01
04B	0503011410	ROLLER BEARING	04 04
04C	0503011105	SEAL RING	03 03
04D	0503010406	501025 CLAMPING RING (FOR AXLE)	03 03
04E	0511061875	BEARING AXLE	01 01
04F	0503011953	5/16" X 1" BOLT	02 02
04G	0501010694	FLAT WASHER	02 02



COP AFRICA
FERTILIZER BEAM

Page 7
0909093394

Item	Code	Description	DIR ESQ
04H	0503010179	SPRING WASHER	02 02
04I	0503010337	5/16" NUT	02 02
05	0501052806	RIGHT FERTILIZER METERING	01 00
05A	0501110082	FERTILIZER DISTRIBUTOR BODY	01 01
05B	0511013789	FERTILIZER TUBE	01 01
05C	0521018470	3/4" X 15.9" SQUARE SHAFT	01 01
05D	0531018020	U PULLER	01 01
05E	0503010882	5/16" X 2" BOLT	01 01
05F	0521018471	1.6" X 0.8" SQUARE SLEEVE	01 01
05G	0503010571	1/4" X 1.1/2" COTTERPIN	01 01
06	0501052807	LH FERTILIZER METERING	00 01
06A	0503031165	LEFT HELICAL CONDUCTOR	00 01
07	0503010849	3/8" X 1-1/2" BOLT	08 08
08	0501010984	FLAT WASHER	16 16
09	0503010025	3/8 SPRING WASHER	08 08
10	0503010026	3/8" NUT	08 08
11	0503060663	FERTILIZER HOPPER WITH 4 TRUNNELS	03 03
12	0511061884	FERTILIZER BEAM CLAMP	02 02
13	0511061885	FERTILIZER BEAM DOBLE CLAMP	02 02
14	0511061886	FERTILIZER BEAM LOCK	04 04
15	0503010019	1/2" SPRING WASHER	04 04
16	0503010060	1/2" NUT	04 04
17	0503011957	PMC 596-S NYLON LUG	02 02
18	0503010371	5/16" X 1" BOLT	04 04
19	0503010179	SPRING WASHER	06 06
20	0503010337	5/16" NUT	10 10
21	0503031050	CURVED CONDUCTOR	11 11
22	0503010246	CLAMP	02 02
23	0503032624	FERTILIZER BEAN LIP	06 06
24	0501053126	FERTILIZER CHAIN TENSIONER ASSY	02 02
24A	0521018415	TIGHTENER AXLE	02 02
24B	0511062169	21Z P 1/2" GEAR	02 02
24C	0501011234	5/8" X 3" BOLT	02 02
24D	0501012140	FLAT WASHER	02 02
24E	0503010027	SPRING WASHER	02 02
24F	0503012412	HEX SELF ADJUSTING NUT 5/8 UNC S	02 02



Item	Code	Description	QT
01	0511061803	WHEEL SUPPORT	01
02	0502012400	ROW FERTILIZER FIXER	02
03	0501010452	5/8" X 5" BOLT	04
04	0501012140	FLAT WASHER	04
05	0503010027	SPRING WASHER	07
06	0503010013	5/8" NUT	07
07	0502011308	WHELL FASTENER	01
08	0503013185	3/4" X 5-1/2" BOLT	02
09	0501010322	FLAT WASHER	02
10	0503010023	SPRING WASHER	02
11	0503010014	3/4" NUT	02
12	0531019365	PLATE FIXER BEARING AXIS	01
13	0503010920	1/2" X 1.1/2" BOLT	02
14	0511017302	FLAT WASHER	04
15	0503010019	1/2" SPRING WASHER	21
16	0503010060	1/2" NUT	07
17	0501048672	CHAIN TENSIONER ASSY	01
17A	0521012529	CHAIN TIGHTENER AXLE	01
17B	0503030402	PULLEY	01
17C	0503010302	501019 SEAL RING	01
18	0511064744	WHEEL FORK	01
19	0501110625	WHEEL PIVOT BEARING	02
20	0503013232	1/2" UNF X 1" BOLT	08
21	0561013021	BEARING INNER LOK	02
22	0561013022	BEARING EXTERNAL LOCK	02
23	0503010398	501082 CLAMPING RING (FOR AXLE)	02
24	0561013020	KM 12 NUT	02
25	0501052781	27.6"X0.63" WHEEL AND TIRE ASSY	01
25A	0501052780	CARRYING WHEEL HUB ASSY	01
25Aa	0502011470	GEAR TRANSMISSION BOX	01
25Ab	0501010127	9/16" X 1-7/8" LUG BOLT	06
25Ac	0503013001	9/16" CONICAL NUT	06
25Ad	0503010328	25590/25523 ROLLER BEARING	02



COP AFRICA
WHEELS ASSY

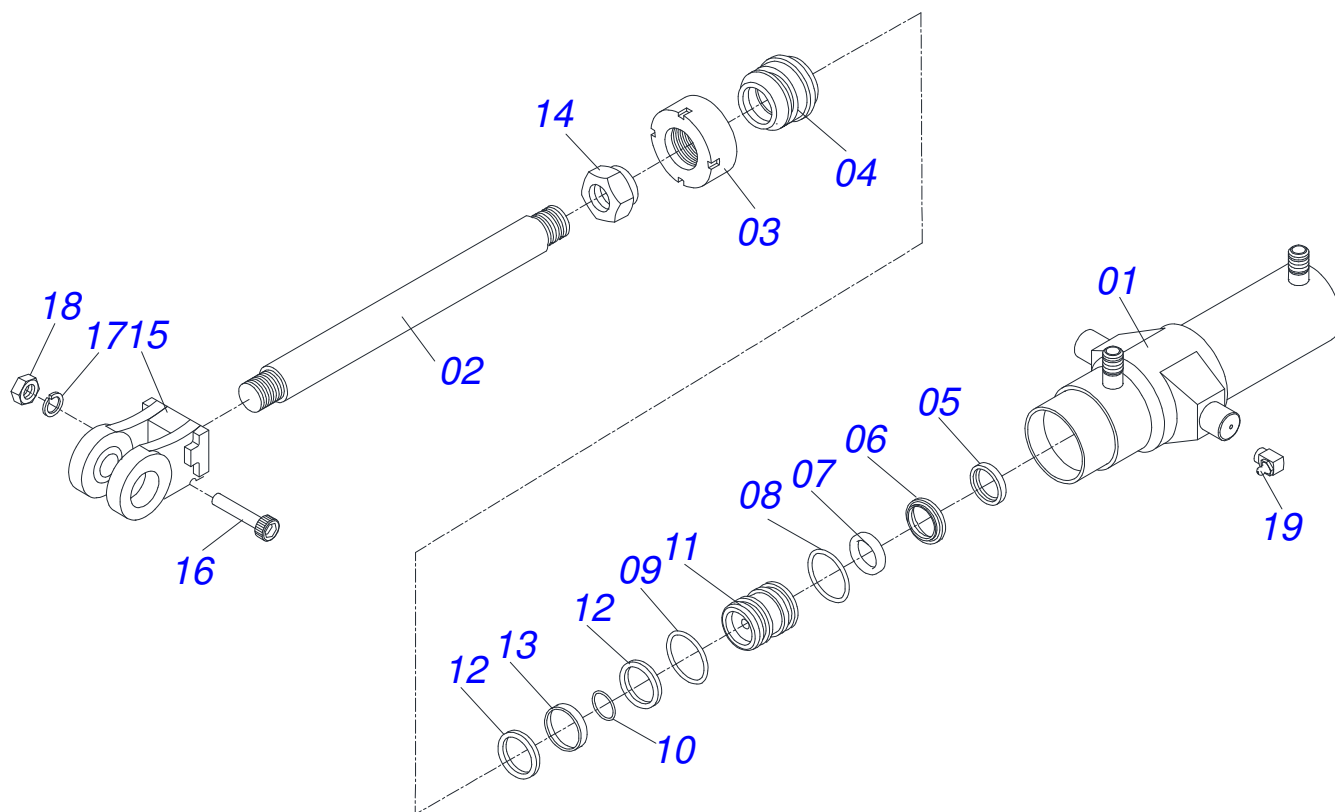
Item	Code	Description	QT
25Ae	0503010804	00547-B SEAL	02
25Af	0521018363	00547-B SEAL	01
25Ag	0511062015	14Z GEAR WITH FLANGE	01
25Ah	0503010421	5/16" X 1-1/2" BOLT	06
25Ai	0503010179	SPRING WASHER	06
25Aj	0511015949	LOCK NUT	01
25Ak	0503010329	LOCK WASHER	01
25Al	0503010330	KM 9 LOCKNUT	01
25B	0503060235	27.6"X0.63"-10L WHEEL & TIRE ASSY	01
25Ba	0503010893	WHEEL	01
25Bb	0503012114	7.00 X 16 INNER TIRE	01
25Bc	0503012113	PLY TIRE	01
26	0521012190	AXLE LOCK	02
27	0503011188	M16 X 2 X 50 BOLT	02
28	0503010847	1/2" X 3.1/4" BOLT	02
29	0501049430	1.7" X 3.4" X 8" X 6" HYDRAULIC CYLINDER	01
30	0531016051	CARRY-WHEEL CHAIN PROTECTION CAP	01
31	0511061810	HYDRAULIC CYLINDER FRANGE	02
32	0521018429	SPRING HITCH	01
33	0503010834	1/2 X 1 BOLT	03
34	0503010395	1/2" X 1-1/4" BOLT	03
35	0521010546	1.2" X 5.7" COUPLING SHAFT	01
36	0501017779	FLAT WASHER	02
37	0503010523	1/4" X 2" COTTERPIN	01
38	0511061808	15Z GEAR WITH AXLE,	01
39	0501018466	FLAT WASHER	01
40	0511061809	15Z GEAR WITH COUPLING	01
41	0503011103	7/16" X 2-1/2" BOLT	01
42	0503010180	7/16" SPRING WASHER	01
43	0503010244	7/16" NUT	01
44	0503010004	1890 GREASE FITTING	02
45	0531018654	CHAIN TIGHTENER SUPPORT	01
46	0531018653	CHAIN TIGHTENER MINOR SUPPORT	01
47	0531016916	SLEEVE BEARING SUPPORT	02
48	0511014513	1" X 0.6" X 0.4" ARTUCULAT SLEEVE	01
49	0503010899	5/8" X 2-1/4" BOLT	01
50	0501013491	5/8" TENSIONER SPRING	01
51	0503031103	0.9" X 4.1" X 0.1" TRACTION SPRING	01
52	0501053522	WHEEL CHAIN TENSIONER	01
52A	0531012640	AXLE CHAIN TIGHTENER	01
52B	0502012018	CHAIN TIGHTENER BEARING	01
52C	0503012882	BALL BEARING	01
52D	0503011945	503050 CLAMPING RING (FOR AXLE)	01
52E	0531012678	4.5" X 0.9" X 0.2" SLEEVE	01
53	0501110025	AGRICULTURAL BEARING	01
54	0503010257	1/8" X 1" COTTERPIN	01
55	0503010002	1800 GREASE FITTING	03
56	0511040424	RH TRANSMISSION DRIVING ASSY	01
57	0511061837	PIVOT ARM ASSY	01
58	0501010984	FLAT WASHER	02
59	0503010140	1/8" X 3/4" COTTERPIN	03
60	0511061896	RATCHET DISMANTLE SUPPORT	01
61	0521015800	REAR LEVER FASTENER	01
62	0503010025	3/8 SPRING WASHER	01
63	0503010026	3/8" NUT	01
64	0521018428	ASSEMBLE AND DISASSEMBLE ARM	01
65	0521018560	HANDLE LEVER	01
66	0503030242	0.8" X 4.7" X 0.08" TRACTION SPRING	01
67	0503012708	2050 CHAIN X 34 LINKS + REDUCTION	01
68	0503012570	CHAIN 2050 X 2.8" LINK + MENDING	01
69	0521013022	TRANSPORT LOCK	04
70	0501068994	0.3" X 3.1"LOCK PIN	04



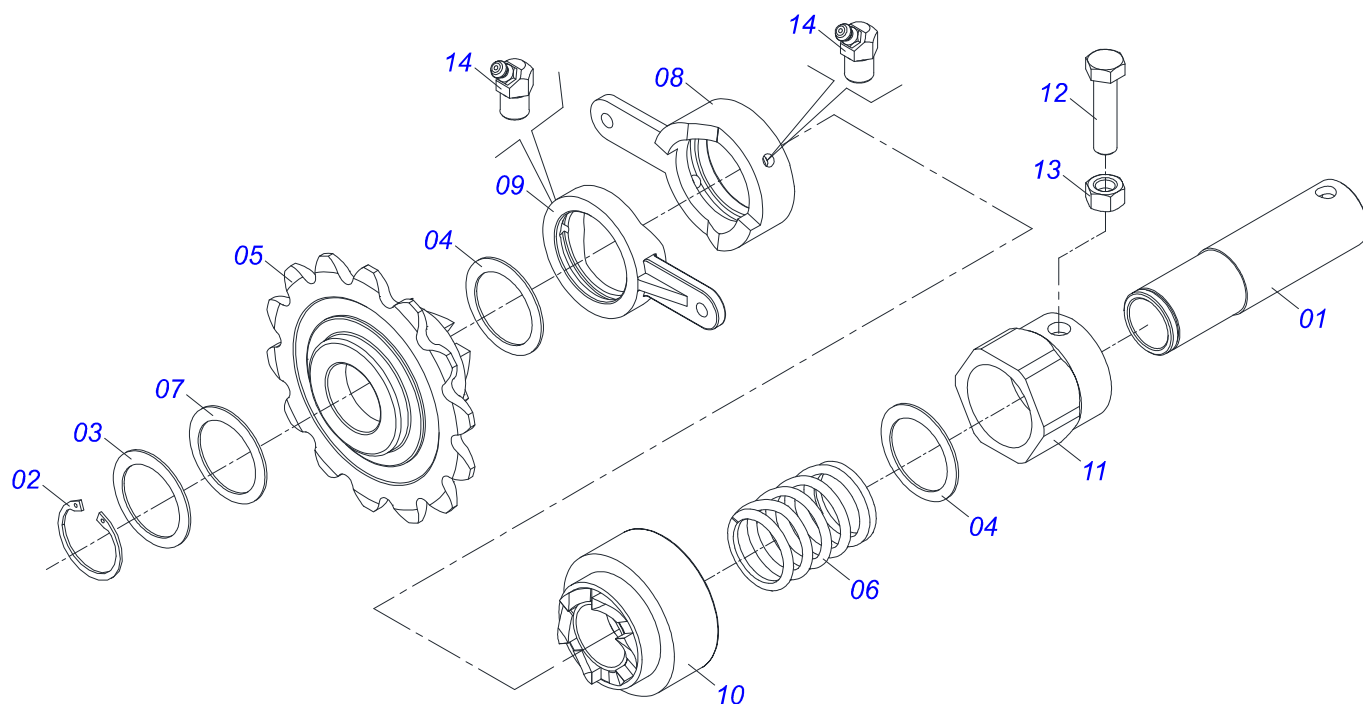
COP AFRICA
WHEELS ASSY

Page 8
0909093395

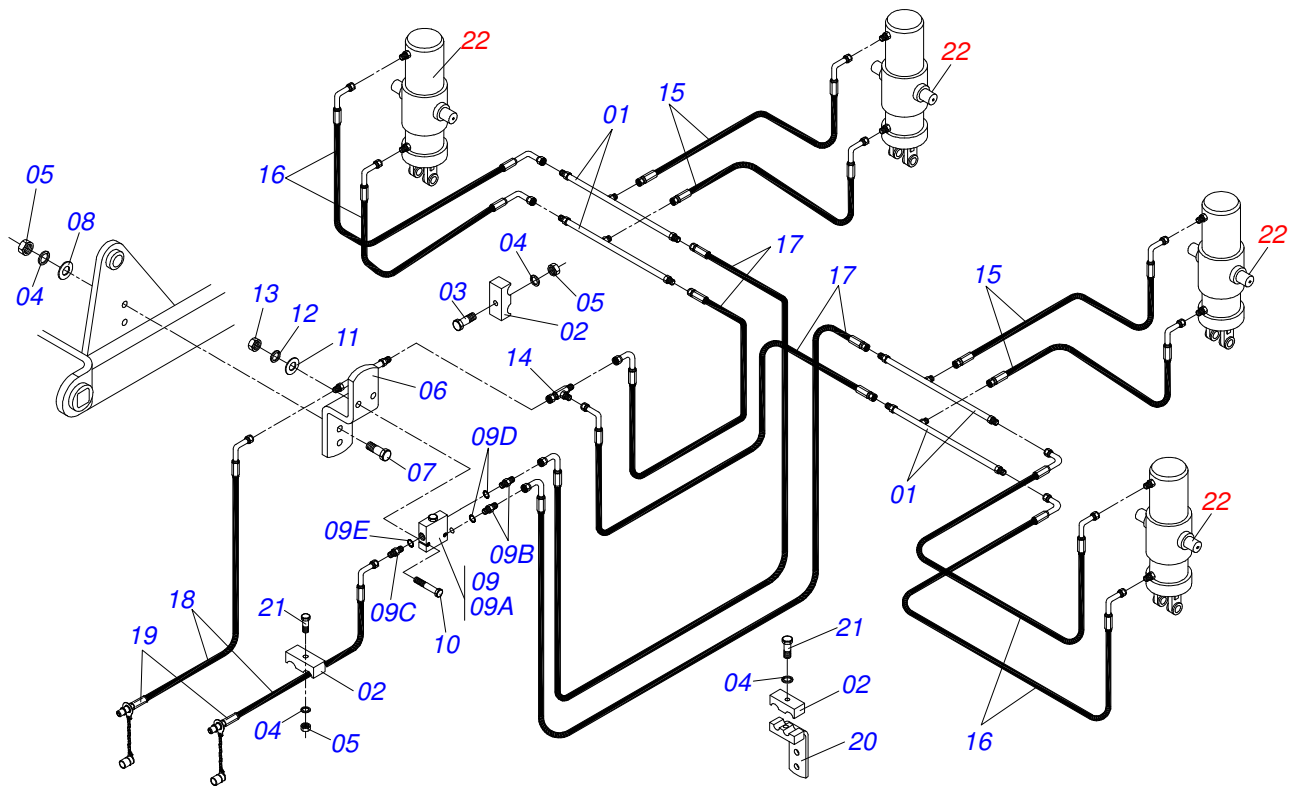
Item	Code	Description	QT
71	0503030168	HAIR PIN	04
72	0501047885	ROD STOP	04
73	0501047886	ROD STOP	04
74	0501047887	ROD STOP	04



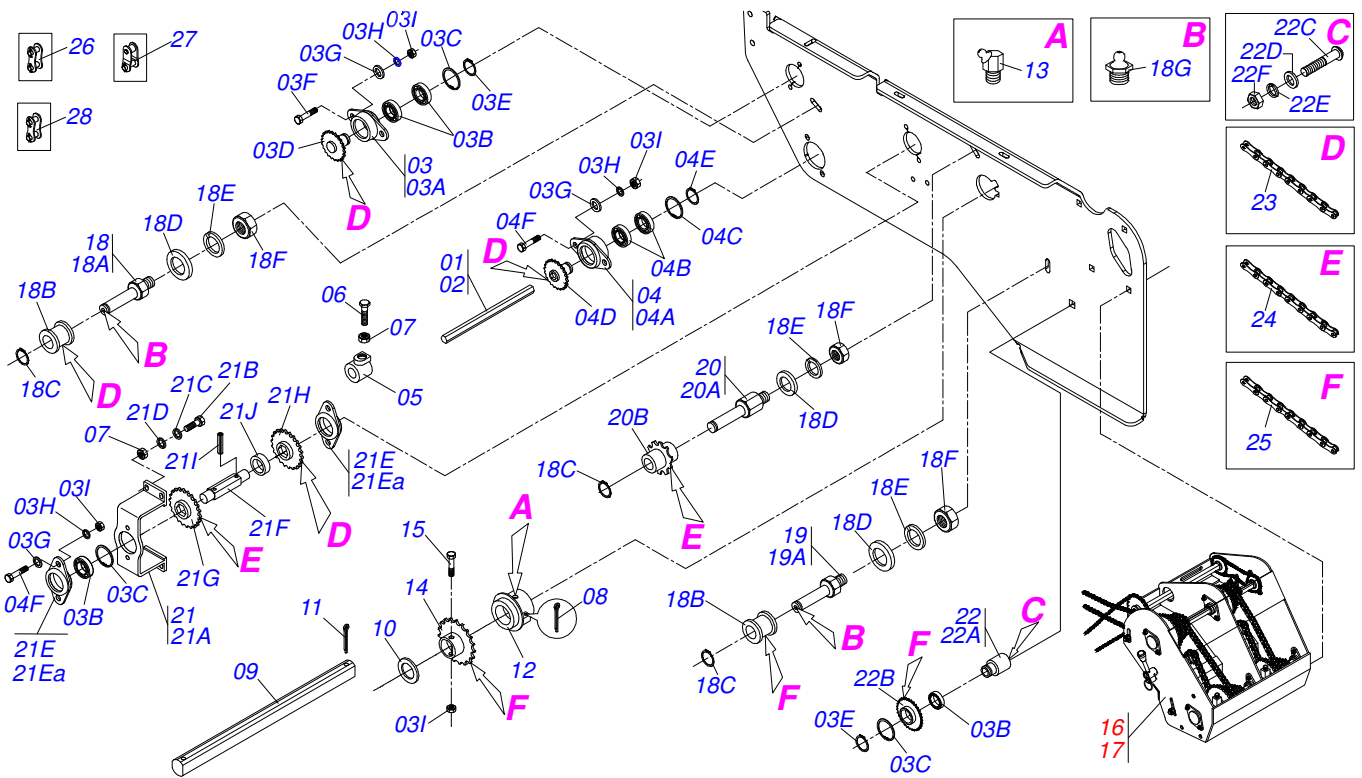
Item	Code	Description	QT
00	0501049430	1.7" X 3.4" X 8" X 6" HYDRAULIC CYLINDER	01
01	0511061839	2.4" X 10.8" CYLINDER CASE	01
02	0521018426	1.7" X 13.7" TURNBUCLE	01
03	0502010993	DETACHABLE COVER	01
04	0502010781	RING SUPPORT	01
05	0503010761	D-1750 SCRAPER RING	01
06	0503010990	GASKET	01
07	0503010949	W2-2000-500 PK RING G.E	01
08	0503011060	8-336 BACK-UP RING	01
09	0503010976	2-336 N 3006-9B O'RING	01
10	0503010042	2-214 N 3006-9B O'RING	01
11	0502010843	1.8" X 3.4" PISTON	01
12	0503010170	PACKING 3120 2750	02
13	0503010948	W4-3346-590 PK RING G.E	01
14	0503010063	1" SELF-ALIGNING NUT	01
15	0502040747	FORK	01
16	0503011094	3/8" X 2" BOLT C C S I 12.9	01
17	0503010025	3/8 SPRING WASHER	01
18	0503010026	3/8" NUT	01
19	0503010003	1845 GREASE FITTING	02
20	0501031796	HYDRAULIC CYLINDER REPAIR KIT	01



Item	Code	Description	QT
01	0521017590	GUIDE AXLE	01
02	0503010542	501045 CLAMPING RING (FOR AXLE)	01
03	0521017593	FLAT WASHER	01
04	0501019734	FLAT WASHER	02
05	0502011329	14Z GEAR WITH RIGHT DRAGGER	01
06	0503030553	2.3"X 2.5"X 0.2"COMPRESSION SPRING	01
07	0501019735	FLAT WASHER	02
08	0502010710	RIGHT CAM, SMALLER	01
09	0502010711	RIGHT CAM,LARGER	01
10	0502012009	DRIVING AXLE RIGHT FOLLOWER	01
11	0502011996	SLLEVE FIXER	01
12	0503030678	1/2"X1-1/2"BOLT	01
13	0503010060	1/2" NUT	01
14	0503010003	1845 GREASE FITTING	02

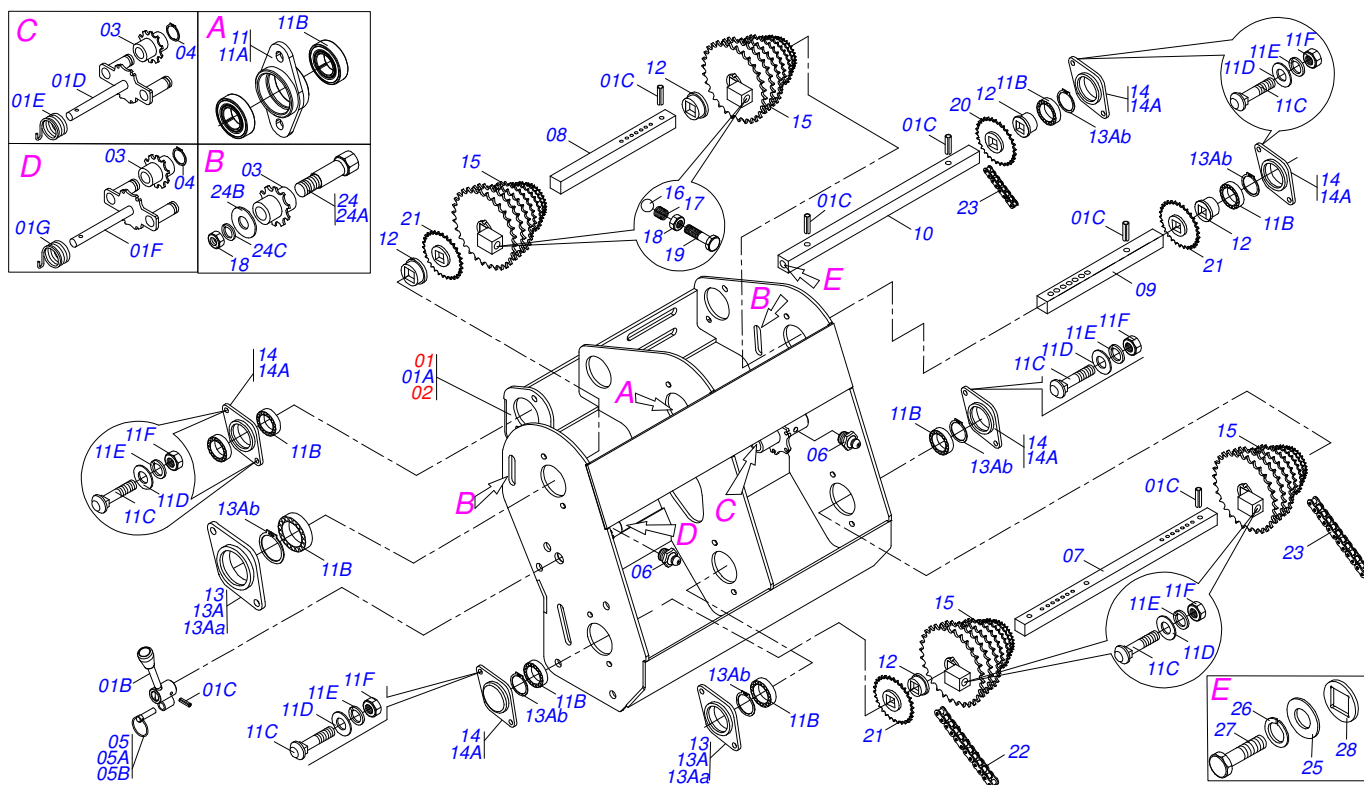


Item	Code	Description	QT
01	0511061828	1100 "T" OIL CONDUCTOR	04
02	0502010477	UPPER CLIP	10
03	0501010080	3/8" BOLT	04
04	0503010025	3/8" SPRING WASHER	07
05	0503010026	3/8" NUT	05
06	0511064473	OIL CONDUCTOR	01
07	0503010849	3/8" X 1-1/2" BOLT	02
08	0501010984	FLAT WASHER	02
09	0501054452	FLOW DIVIDING VALVE	01
09A	0503012481	FLOW DIVIDING VALVE	01
09B	0501010617	3/4" NIPPLE	02
09C	0501012109	3/4" X 9/16" NIPPLE	01
09D	0503010190	2-114 N 3006-9B O'RING	02
09E	0503011036	2-111 N 3006-9B O'RING	01
10	0503010373	1/4" X 2" BOLT	02
11	0501010694	FLAT WASHER	04
12	0503010143	SPRING WASHER	02
13	0503010144	1/4" NUT	02
14	0503011968	T ADAPTOR WITH GIRAT	01
15	0501080673	3/8" X 17" TC-TC 180G HOSE ASSY	04
16	0501080406	3/8" X 23" TR-TC HOSE ASSY	04
17	0501080714	3/8" X 63" TR-TC HOSE ASSY	04
18	0501080678	1/2" X 150" TC-TM HOSE ASSY	02
19	0501053834	FAST COUPLER AGRICULTURAL WITH COVER - 1/2	02
20	0511062410	HOSE FIXATION SUPPORT	02
21	0503010751	C3/8" X 1.1/4" HEX BOLT G.5	03
22	0501049430	1.7" X 3.4" X 8" X 6" HYDRAULIC CYLINDER	04



Item	Code	Description	QT
01	0561018833	3/4 X 2230 HEX AXLE	01
02	0561018834	3/4 X 2610 HEX AXLE	01
03	0501053610	BEARING WITH 17Z GEAR INNER AXLE	02
03A	0502011987	DOUBLE HOUSING BEARING	02
03B	0503011410	ROLLER BEARING	10
03C	0503011105	SEAL RING	08
03D	0511062626	MIDDLE BEARING AXLE	02
03E	0503010406	501025 CLAMPING RING (FOR AXLE)	04
03F	0503010371	5/16" X 1" BOLT	04
03G	0501010694	FLAT WASHER	16
03H	0503010179	SPRING WASHER	16
03I	0503010337	5/16" NUT	20
04	0501053653	BEARING WITH 20Z GEAR	02
04A	0502012031	HOUSING BEARING	02
04B	0503012861	6006 2RS BALL BEARING	04
04C	0503012858	502075 CLAMPING RING (FOR HOLE)	02
04D	0511063185	20Z GEAR WITH HEX HOLE AXLE, 20	02
04E	0503010707	501030 CLAMPING RING (FOR AXLE)	02
04F	0503010365	NUT	12
05	0511063123	BUSHING WITH NUT	02
06	0503010237	3/8" X 1" BOLT	02
07	0503010026	3/8" NUT	10
08	0503010257	1/8" X 1" COTTERPIN	06
09	0521018302	MOTOR SHAFT	02
10	0501018466	FLAT WASHER	04
11	0503010010	1/4" X 2.1/2" COTTERPIN	02
12	0501110025	AGRICULTURAL BEARING	04
13	0503010004	1890 GREASE FITTING	04
14	0511064105	17Z P 5/8" RH 1.4" GEAR	02
15	0503010937	5/16" X 3" BOLT	02
16	0511047058	RIGHT GEAR BOX ASSY	01
17	0511047059	LH GEAR BOX ASSY	01
18	0501048672	CHAIN TENSIONER ASSY	02

Item	Code	Description	QT
18A	0521012529	CHAIN TIGHTENER AXLE	02
18B	0503030402	PULLEY	04
18C	0503010302	501019 SEAL RING	06
18D	0511017302	FLAT WASHER	06
18E	0503010019	1/2" SPRING WASHER	06
18F	0503010060	1/2" NUT	06
18G	0503010002	1800 GREASE FITTING	04
19	0501053602	CHAIN TENSIONER ASSY	02
19A	0531012356	CHAIN TENSIONER AXLE	02
20	0501052810	TRANSMISSION CHAIN TENSIONER ASSY	02
20A	0521018933	113 FERT CHAIN TENSIONER AXLE	02
20B	0503031805	11Z 1/2" GEAR	02
21	0501053846	MIDDLE BEARING OF THE TRANSMISSION	02
21A	0511063266	INTERMEDIARY BEARING SUPPORT	02
21B	0503010751	C3/8" X 1.1/4" HEX BOLT G.5	08
21C	0501010984	FLAT WASHER	08
21D	0503010025	3/8 SPRING WASHER	08
21E	0501052775	ROW SEED BEARING	04
21Ea	0502011697	BEARING OF THE GEAR BOX	04
21F	0531013674	INTERMEDIATE AXLE	02
21G	0511063267	26Z P1/2" GEAR FOR HEX AXLE, 1"	02
21H	0511063268	20Z P1/2" GEAR FOR HEX AXLE, 1"	02
21I	0503010292	0.2" X 1.6" SPRING PIN	04
21J	0541011184	1.1" X 2" X 0.7" SLEEVE	01
22	0501052788	CHAIN TENSIONER ASSY	02
22A	0521018415	TIGHTENER AXLE	02
22B	0511061836	17Z GEAR	02
22C	0501011234	5/8" X 3" BOLT	02
22D	0501012140	FLAT WASHER	02
22E	0503010027	SPRING WASHER	02
22F	0503010013	5/8" NUT	02
23	0503012528	40-1 CHAIN X 108 LINK + REDUCTION	02
24	0503012718	40-1 CHAIN X 111 LINK + MENDING	04
25	0503012716	CHAIN 50-1 X 3.7" LINK + MENDING	02
26	0503011750	AMENDMENT WITH LOCK	01
27	0503011751	REDUCTION	01
28	0503010543	AMENDMENT WITH LOCK	01



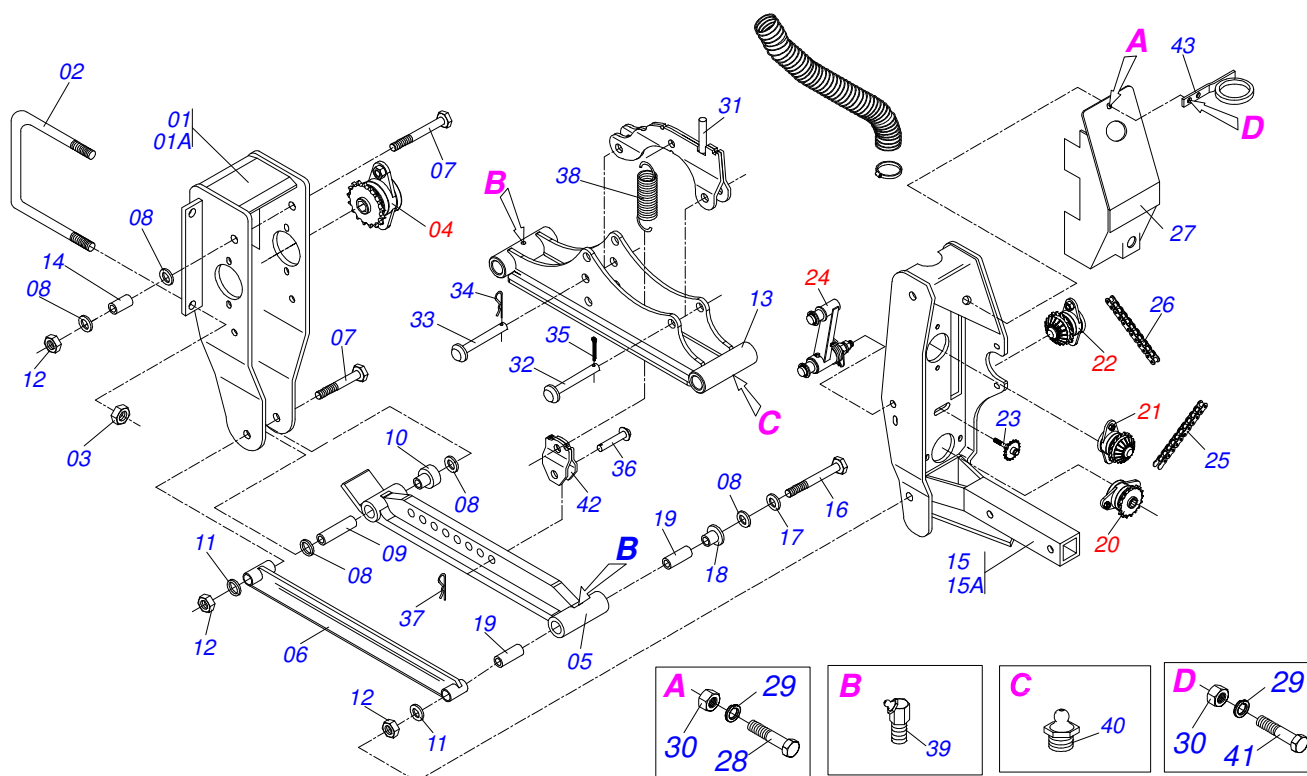
Item	Code	Description	DIR ESQ
00	0511047058	RIGHT GEAR BOX ASSY	01 00
00A	0511047059	LH GEAR BOX ASSY	00 01
01	0501058212	RH GEAR	01 00
01A	0511069565	LEFT GEAR BOX	01 00
01B	0502011758	REAR TENSIONER LEVER	02 02
01C	0503010292	0.2" X 1.6" SPRING PIN	07 07
01D	0511061794	CHAIN TENSIONER	01 01
01E	0503031367	SPRING	01 01
01F	0511061795	CHAIN TENSIONER	01 01
01G	0503031367	SPRING	01 01
02	0501058213	LH GEAR BOX	00 01
03	0503031805	11Z 1/2" GEAR	06 06
04	0503010302	501019 SEAL RING	04 04
05	0501048790	AXLE WITH LINK ASSY	02 02
05A	0521012476	GEAR BOX LEVER AXLE	02 02
05B	0503031369	LINK	02 02
06	0503010002	1800 GREASE FITTING	02 02
07	0551018209	DRIVING AXLE	01 01
08	0521018259	DRIVEN AXLE	01 01
09	0551018210	DRIVEN AXLE	01 01
10	0551018211	INTERM SHAFT	01 01
11	0501056447	CENTRAL BEARING GEAR BOX	01 01
11A	0502011978	HOUSING CENTRAL BEARING	01 01
11B	0503013462	BEARING WITH BALL BEARING	07 07
11C	0503011953	5/16" X 1" BOLT	16 16
11D	0501010694	FLAT WASHER	16 16
11E	0503010179	SPRING WASHER	16 16
11F	0503010337	5/16" NUT	16 16
12	0503030303	SUPPORT WASHER	05 05
13	0501056443	BEARING ASSY GEAR BOX	02 02
13A	0501056444	BEARING WITH BALL BEARING	02 02
13Aa	0502011697	BEARING OF THE GEAR BOX	02 02
13Ab	0503011105	SEAL RING	07 07



COP AFRICA
GEAR BOX ASSY

Page 13
0909093035

Item	Code	Description	DIR ESQ
14	0501056271	GEAR BOX CLOSE BEARINGONE	05 05
14A	0502012310	GEAR BOX CLOSE BEARING	05 05
15	0511060396	DRIVE/DRIVEN AXLE CONE	04 04
16	0503012389	1/2 BALL	04 04
17	0503031512	0.4" X 0.1"X 2" X 0.6" SPRING	04 04
18	0503010060	1/2" NUT	06 06
19	0503010395	1/2" X 1-1/4" BOLT	04 04
20	0511061830	17Z P 0.5" GEAR SQUARE HOL	02 02
21	0511067501	26Z GEAR	01 01
22	0503012204	40-1 CHAIN X 82 LINK + RED	02 02
23	0503012713	40-1 CHAIN X 45 LINK + MEN	01 01
24	0501054655	CHAIN TENSIONER ASSY	02 02
24A	0531019479	AXLE CHAIN GEAR	02 02
24B	0511017302	FLAT WASHER	02 02
24C	0503010019	1/2" SPRING WASHER	02 02
25	0501010984	FLAT WASHER	01 01
26	0503010025	3/8 SPRING WASHER	01 01
27	0503010256	3/8" X 3/4" BOLT	01 01
28	0521018630	1.4" X SQUARE 0.8" WASHER	01 01



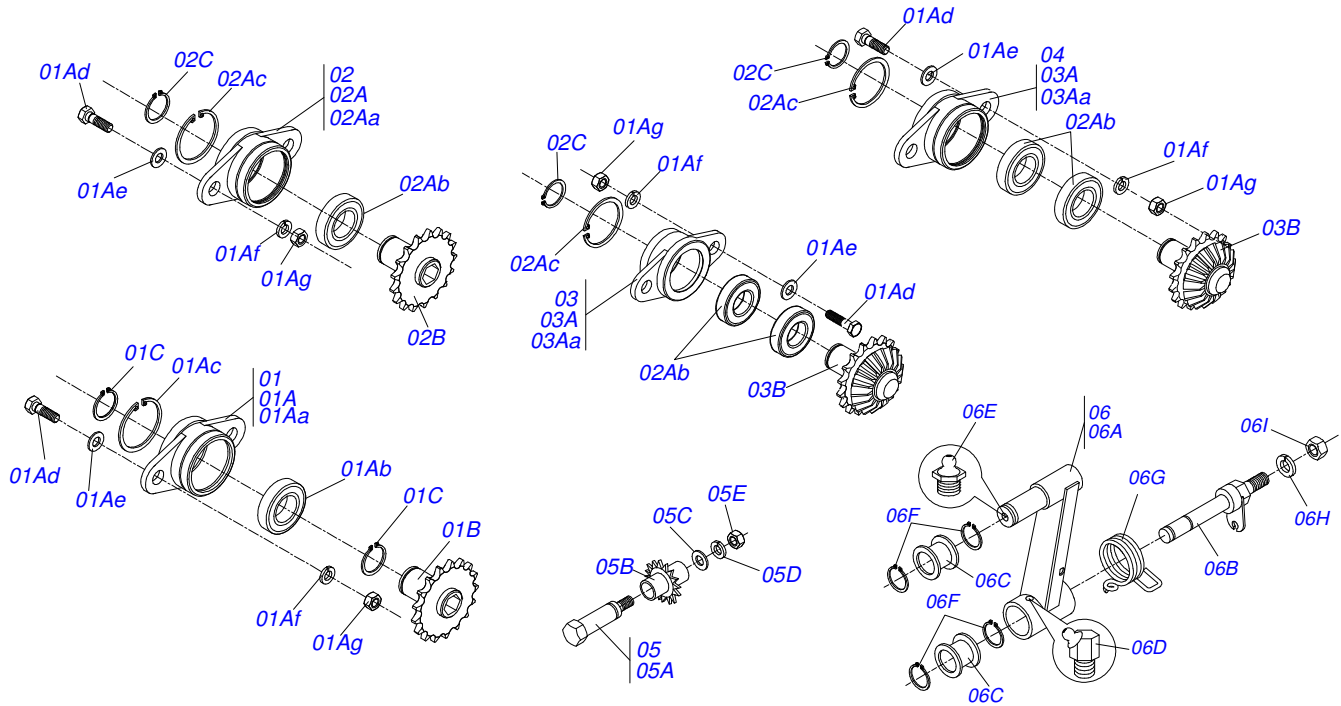
Item	Code	Description	CT LG
01	0511063860	SEED ROW FIXATION FRONT SUPPORT	01 00
01A	0511065111	LG SEED ROW FIXATION FRONT SUPPORT	00 01
02	0521010718	5/8" U BOLT	02 02
03	0503012412	HEX SELF ADJUSTING NUT 5/8 UNC S	04 04
04	0501053559	BEARING WITH 17Z GEAR	01 01
05	0502012094	SEED ROW LOWER ARM WITH SPRING	01 01
06	0511063869	ROW LOWER SUPPORT STABILIZER	01 01
07	0503010795	5/8" X 7" BOLT	03 03
08	0531016031	1/2" SPRING WASHER	07 07
09	0531016205	0.6" X 1" X 3.2" SLEEVE	01 01
10	0531015947	LARGE BUSHING OF THE STABILIZER ARM	01 01
11	0501012140	FLAT WASHER	02 02
12	0503012412	HEX SELF ADJUSTING NUT 5/8 UNC S	04 04
13	0511063020	SEED ROW UPPER ARM	01 01
14	0531016194	0.6" X 1" X 2.6" SLEEVE	04 04
15	0511063861	SHORT SEED ROW FRAME	01 01
15A	0511063876	LONG SEED ROW FRAME	01 01
16	0503012410	5/8" X 7.1/2" BOLT	01 01
17	0531015184	FLAT WASHER	01 01
18	0531015946	LARGE BUSHING OF THE STABILIZER ARM	01 01
19	0531016206	0.6" X 1" X 2.3" SLEEVE	02 02
20	0501053826	BEARING WITH 17Z GEAR	01 01
21	0501053553	UPPER CENTER BEARING	01 01
22	0501053552	UPPER SIDE BEARING	01 01
23	0501054686	GEAR BOX CHAIN TENSIONER	01 01
24	0501059646	CHAIN TENSIONER ASSY	01 01
25	0503012706	40-1 CHAIN X 47 LINK + MENDING	01 01
26	0503012771	40-1 CHAIN X 117 LINK+MENDING+RED	01 01
27	0503031936	SEED ROW TRANS PROTECTION COVER	01 01
28	0503010371	5/16" X 1" BOLT	01 01
29	0503011444	SPRING WASHER	02 02
30	0503010337	5/16" NUT	02 02
31	0511064698	UPPER ROCKER ARM	01 01



COP AFRICA
FRONT SEED ROW

Page 14
0909093398

Item	Code	Description	CT LG
32	0501011388	COUPLING SHAFT	01 01
33	0521016057	COUP SHA OF THE CARRY-W SPRING GUI	01 01
34	0503030012	HAIR PIN	01 01
35	0503010577	3/16" X 1-1/4" COTTERPIN	01 01
36	0521010542	COUPLING SHAFT	01 01
37	0503030168	HAIR PIN	01 01
38	0503031637	2" X 14" X 0.3" TRACTION SPRING	01 01
39	0503010003	1845 GREASE FITTING	03 03
40	0503010002	1800 GREASE FITTING	01 01
41	0503010365	NUT	01 01
42	0511063024	LOWER ROCKER ARM	01 01
43	0511063282	HOSE HOLDER	01 01



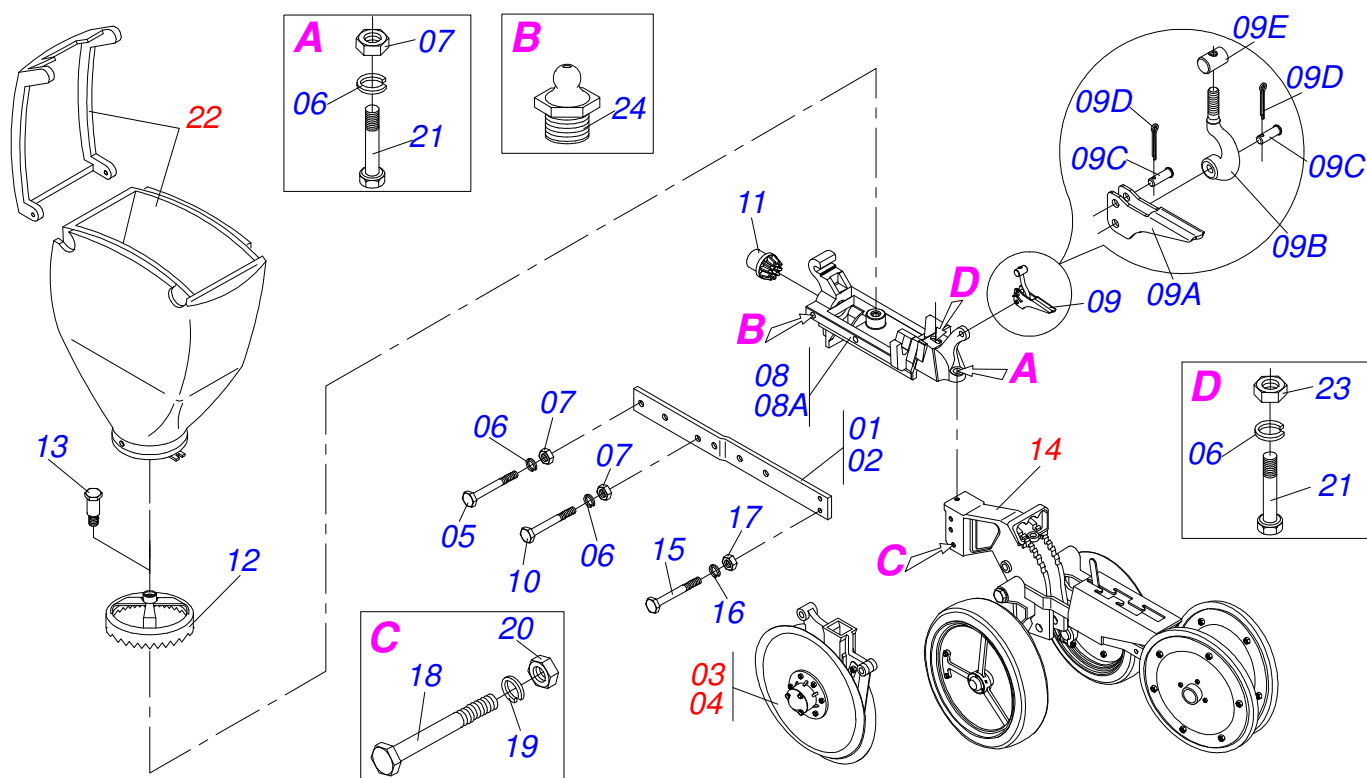
Item	Code	Description	QT
01	0501053559	BEARING WITH 17Z GEAR	01
01A	0501053566	BEARING	01
01Aa	0502012030	HOUSING BEARING	01
01Ab	0503012861	6006 2RS BALL BEARING	01
01Ac	0503012858	502075 CLAMPING RING (FOR HOLE)	01
01Ad	0503010365	NUT	08
01Ae	0501010694	FLAT WASHER	08
01Af	0503010179	SPRING WASHER	08
01Ag	0503010337	5/16" NUT	08
01B	0511063052	17Z GEAR WITH HEX HOLE AXLE, 0.8"	01
01C	0503010707	501030 CLAMPING RING (FOR AXLE)	02
02	0501053826	BEARING WITH 17Z GEAR	01
02A	0501052775	ROW SEED BEARING	01
02Aa	0502011697	BEARING OF THE GEAR BOX	01
02Ab	0503011410	ROLLER BEARING	05
02Ac	0503011105	SEAL RING	03
02B	0502012028	17Z GEAR WITH HEX HOLE AXLE, 0.5"	01
02C	0503010406	501025 CLAMPING RING (FOR AXLE)	03
03	0501053553	UPPER CENTER BEARING	01
03A	0501053297	BEARING WITH DOUBLE BALL BEARING	02
03Aa	0502011971	HOUSING WITH DOUBLE BEARING	02
03B	0511063045	DOUBLE BEARING AXLE	02
04	0501053552	UPPER SIDE BEARING	01
05	0501054686	GEAR BOX CHAIN TENSIONER	01
05A	0531019479	AXLE CHAIN GEAR	01
05B	0503031806	9Z X P 5/8" GEAR	01
05C	0511017302	FLAT WASHER	01
05D	0503010019	1/2" SPRING WASHER	01
05E	0503010060	1/2" NUT	01
06	0501059646	CHAIN TENSIONER ASSY	01
06A	0521061403	CHAIN TENSIONER ASSY	01
06B	0511066935	CHAIN TENSIONER PIVOT AXLE	01
06C	0503030402	PULLEY	02



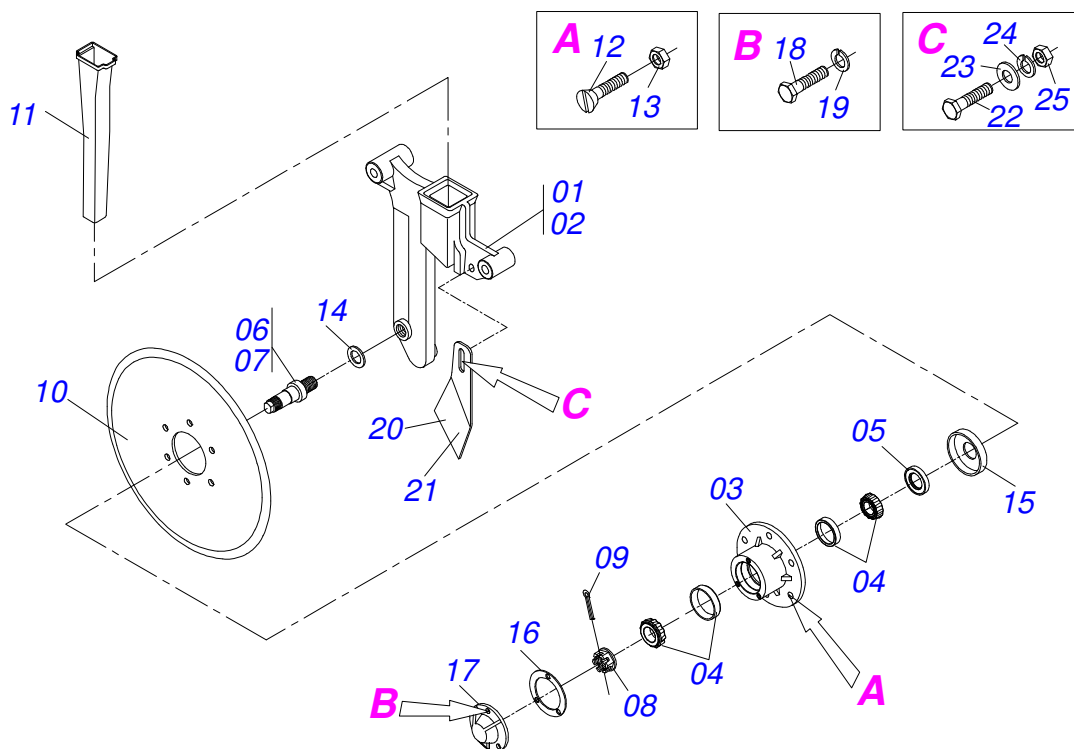
COP AFRICA
BEARING TENSIONER

Page 15
0909093399

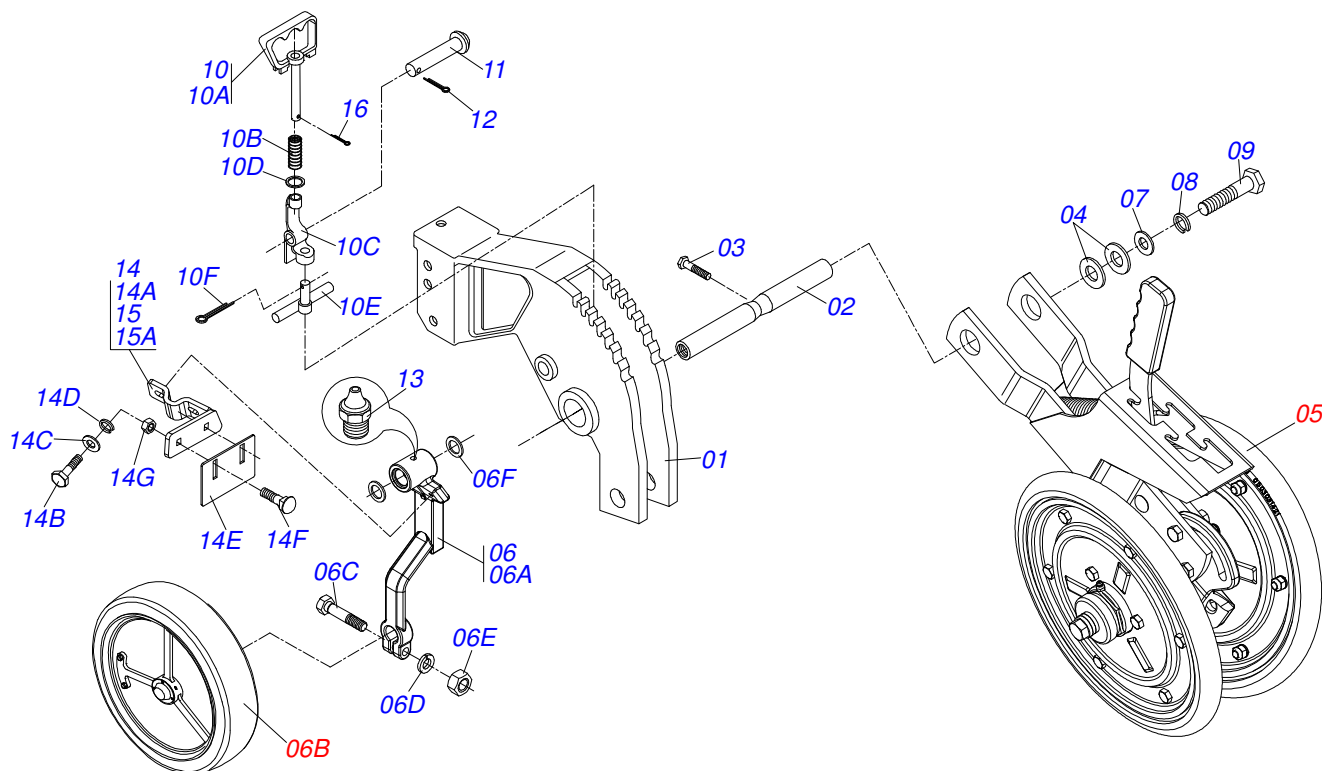
Item	Code	Description	QT
06D	0503010003	1845 GREASE FITTING	01
06E	0503010002	1800 GREASE FITTING	01
06F	0503010302	501019 SEAL RING	04
06G	0503031367	SPRING	01
06H	0503010019	1/2" SPRING WASHER	01
06I	0503010060	1/2" NUT	01



Item	Code	Description	QT
00	0511050926		01
00A	0511050923	REAR SEED ROW WITHOUT BOX	01
01	0501013413	RIGHT SIDE BASE	01
02	0501013414	LEFT SIDE BASE	01
03	0511050921	RIGHT SEED UNAL DOUBLE-DISC ASSY	01
04	0511050924	SEED UNAL DOUB-DISC ASSY	01
05	0503010723	7/16" X 4" BOLT	02
06	0503011446	SPRING WASHER	05
07	0503010244	7/16" NUT	04
08	0501055337	SEED BOX FIXING BASE	01
08A	0502012314	SEED BOX FIXING BASE	01
09	0511050809	SEMIFINISHED FAST CLOSING SET	01
09A	0541016855	SPEED ??LOCK LEVER ASSY	01
09B	0561019318	PRISONER CLOSING FAST	01
09C	0551018050	FAST BOLT GUIDE AXLE	02
09D	0503010257	1/8" X 1" COTTERPIN	02
09E	0561019270	FAST BOLT ADJUSTMENT	01
10	0503010851	7/16" X 3.1/2" BOLT	01
11	0502011411	10Z CONICAL GEAR	01
12	0502011418	40Z CONICAL GEAR	01
13	0511018700	AXLE	01
14	0501059256	DEPTH CONTROL PRESS WHEEL ASSY	01
15	0503010848	5/16" X 3.1/2" BOLT	02
16	0503010179	SPRING WASHER	02
17	0503010337	5/16" NUT	02
18	0503010479	1/2" X 3" BOLT	01
19	0503011440	SPRING WASHER	01
20	0503010060	1/2" NUT	02
21	0503011173	7/16" X 2" BOLT	01
22	0501052820	SEED SYSTEM ASSY	01
23	0503013233	7/16 NUT	01
24	0503010002	1800 GREASE FITTING	02



Item	Code	Description	DIR ESQ
00	0511050921	RIGHT SEED UNAL DOUBLE-DISC ASSY	01 00
00A	0511050924	SEED UNAL DOUB-DISC ASSY	00 01
01	0502011184	15" X 15" DOUBLE DISC SUPPORT	01 00
02	0502011183	15"X15" LW SEED UNAL DOUB-DISC SUPP	00 01
03	0502011930	DOUBLE DISC COULTER BOX	02 02
04	0503010598	30204 BALL BEARING	04 04
05	0503011112	SEAL 02376-BRG	02 02
06	0521019154	RIGHT DOUB DISC HUB	01 01
07	0521019148	LEFT DOUBLE DISC HUB	01 01
08	0503030282	3/4" CASTLE NUT	02 02
09	0503010257	1/8" X 1" COTTERPIN	02 02
10	0603022042	13" X 0.12" PLAIN COULTER BLADE	02 02
11	0503030482	SEED SOCKET	01 01
12	0503010546	5/16" X 7/8" BOLT	12 12
13	0503010337	5/16" NUT	12 12
14	0511015098	FLAT WASHER	06 06
15	0511011927	DUST CLOAK	02 02
16	0503030757	2.9" X 2" X 0.02" JOINT	02 02
17	0502012517	COVER	02 02
18	0503014891	1/4" X 3/4" BOLT	06 06
19	0503011441	SPRING WASHER	06 06
20	0501017542	LH DOUBLE DISC SCRAPER	00 01
21	0501017541	RH DOUBLE DISC SCRAPER	01 00
22	0503010751	C3/8" X 1.1/4" HEX BOLT G.5	01 01
23	0501010984	FLAT WASHER	02 02
24	0503011443	SPRING WASHER	01 01
25	0503010026	3/8" NUT	01 01



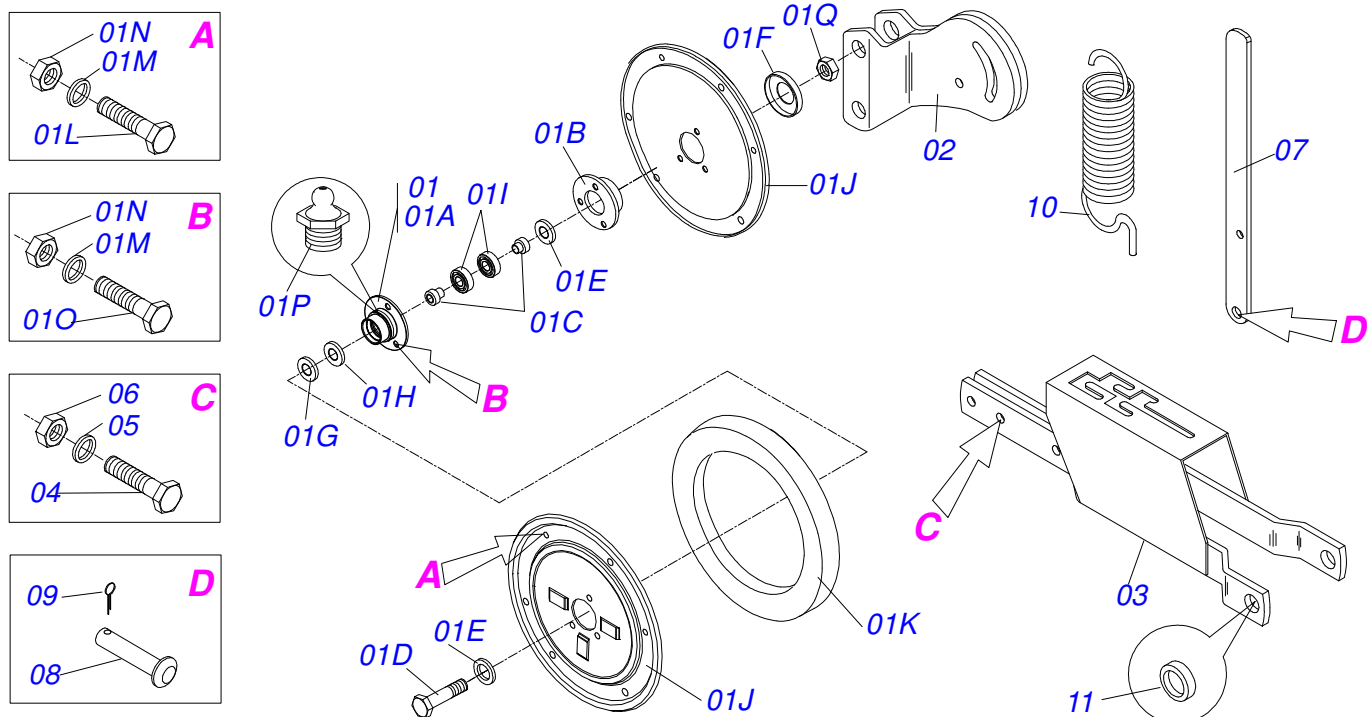
Item	Code	Description	QT
01	0502012087	DEPTH CONTROL SUPPORT	01
02	0531010765	DEPTH WHEEL AXLE	01
03	0503010256	3/8" X 3/4" BOLT	01
04	0521015818	FLAT WASHER	04
05	0501052954	PRESS WHEELS ASSY	01
06	0501059257	CLOSE ARM WITH WHEEL STRIPED	02
06A	0502012609	DEPTH WHEEL ARM	02
06B	0501055129	CLOSE WHEEL STRIPED CENTER	02
06C	0503010740	1/2" X 2" BOLT	02
06D	0503011440	SPRING WASHER	02
06E	0503010060	1/2" NUT	02
06F	0503015021	6871-GA SEAL RING	04
07	0511017302	FLAT WASHER	02
08	0503011440	SPRING WASHER	02
09	0503010311	1/2" X 1-1/4" BOLT	02
10	0501052297	DEPTH WHEELS REGULATOR ASSY	01
10A	0502011689	1/8" DEPTH CONTROL LEVER	01
10B	0503030975	0.9" X 1.5" X 0.1" SPRING	01
10C	0502011688	SEED SIST CONTROL DEPTH LEVER	01
10D	0511015976	FLAT WASHER	01
10E	0511060699	DEPTH WHEEL STOP	01
10F	0503010257	1/8" X 1" COTTERPIN	01
10G	0503010071	3/16" X 1" COTTERPIN	01
11	0521019093	0.6" X 2.7" PIVOT SHAFT	01
12	0503010778	1/8" X 1.1/2" COTTERPIN	01
13	0503010002	1800 GREASE FITTING	02
14	0501059254	PRESS WHEEL RIGHT SCRAPER	01
14A	0521061113	DEPTH WHEEL SCRAPER RIGHT ARM	01
14B	0503010751	C3/8" X 1.1/4" HEX BOLT G.5	04
14C	0501010984	FLAT WASHER	04
14D	0503010025	3/8 SPRING WASHER	04
14E	0561014438	SCRAPER BODY	02
14F	0503011952	5/16" X 3/4" BOLT	04



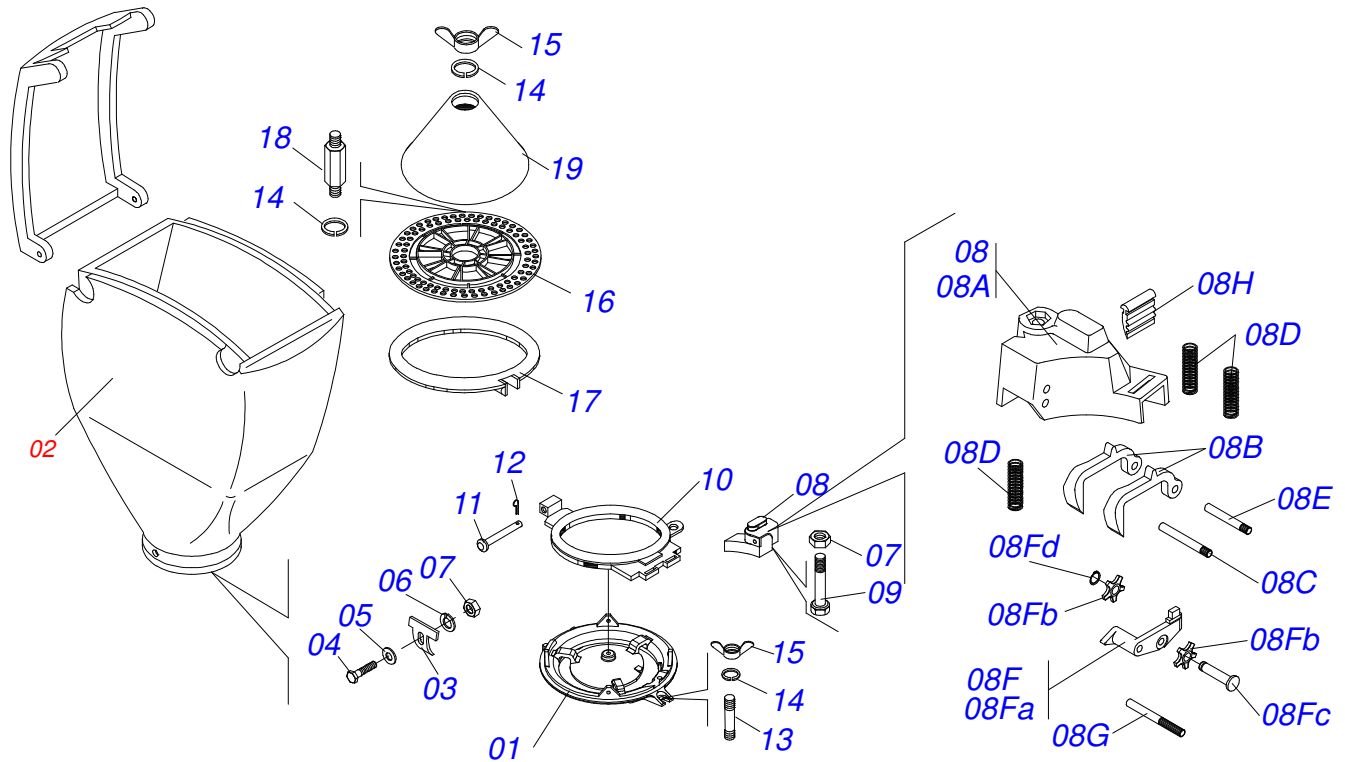
DEPTH CONTROL PRESS WHEEL ASSY

0501059256

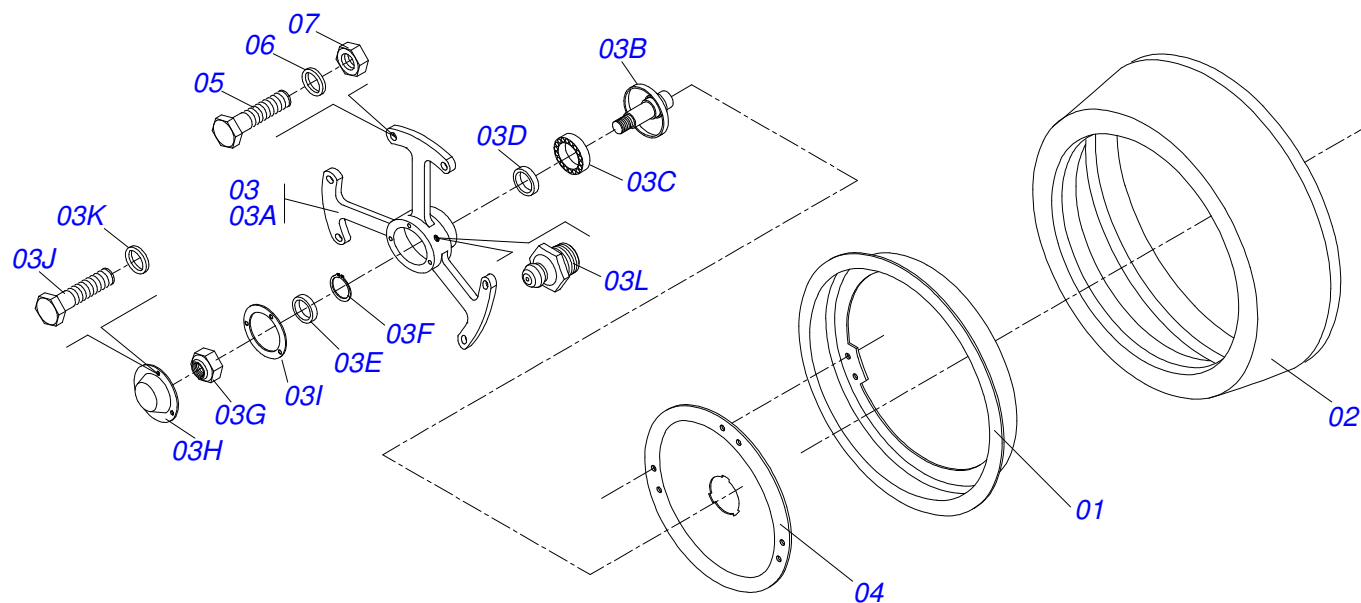
Item	Code	Description	QT
14G	0503013816	5/16" LOCKNUT	04
15	0501059255	DEPTH WHEEL LEFT SCRAPER	01
15A	0521061114	DEPTH WHEEL SCRAPER	01
16	0503010257	1/8" X 1" COTTERPIN	01



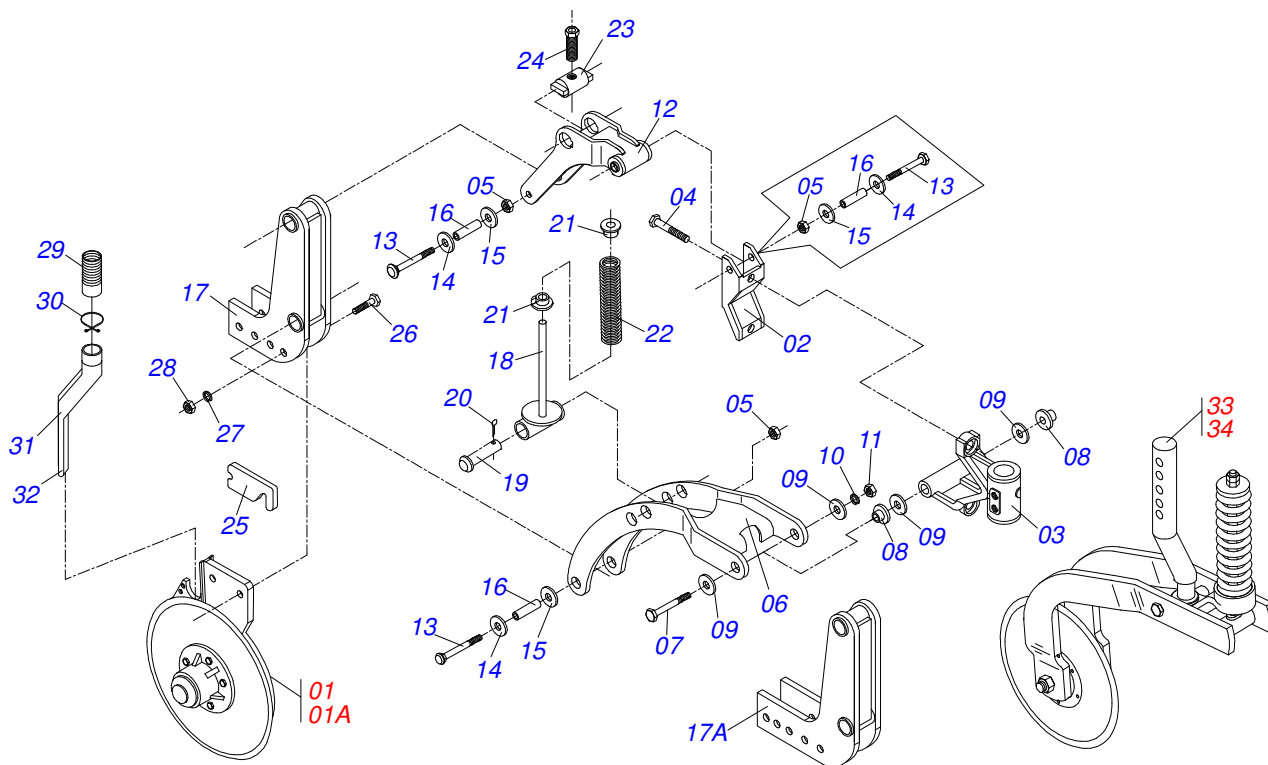
Item	Code	Description	QT
00	0501052954	PRESS WHEELS ASSY	01
01	0501052908	PRESS WHEELS ASSY	02
01A	0502011919	PRESS WHEEL HUB	01
01B	0502011877	PRESS WHEEL HUB	01
01C	0521018922	PRESS WHEEL PASSANG AXLE	02
01D	0503010706	1/2" X 4.1/2" BOLT	01
01E	0521014508	FLAT WASHER	06
01F	0521018921	DUST CLOAK	01
01G	0521016316	DUST CLOAK	01
01H	0503012734	SEAL 01556 BR	02
01I	0503010269	6204 BALL BEARING	02
01J	0521018928	PRESS WHEEL RIM	02
01K	0503031421	DEPTH CONTROL WHEEL RUBBER BAND	01
01L	0503010295	5/16" X 5/8" BOLT	06
01M	0503010179	SPRING WASHER	09
01N	0503010337	5/16" NUT	09
01O	0503010178	5/16" X 7/8" BOLT	03
01P	0503010691	1/4" GREASE FITTING	01
01Q	0503011336	1/2" HEX SELF ADJUSTING NUT	03
02	0511064372	PRESS WHEEL ADJUSTER V	01
03	0511062030	PRESS WHEELS REGULATOR	01
04	0503011404	3/8" X 1-3/4" BOLT	02
05	0503010025	3/8 SPRING WASHER	02
06	0503010026	3/8" NUT	02
07	0521013398	PRESS WHEELS REGULATOR BODY	01
08	0521010539	0.3" X 1.2" COUPLING SHAFT	01
09	0503010257	1/8" X 1" COTTERPIN	01
10	0503030805	1.6" X 6" X 0.2" TRACTION SPRING	01
11	0521010480	1" X 1.2" X 0.4" ARTICULAT SLEEVE	02



Item	Code	Description	
01	0502020324	SEED BOX SUPPORT	01
02	0503060516	SEED BOX WITH SMALLER CAP	01
03	0531010631	SEED BEAM CLAMP	04
04	0503010371	5/16" X 1" BOLT	04
05	0501010694	FLAT WASHER	04
06	0503010179	SPRING WASHER	04
07	0503010337	5/16" NUT	05
08	0501051094	SEED DISTRIB ASSY WITH DOUB PULLEY	01
08A	0503030381	SEED DISTRIBUTOR BOX	01
08B	0502010447	TRIGGER	02
08C	0501013467	KEY AXLE	01
08D	0503030378	0.4" X 1.1" X 0.03" SPRING	03
08E	0501013466	KEY LIMITER AXLE	01
08F	0501051119	DOUBLE PULLEY ROCKER'S	01
08Fa	0503031129	DOUBLE PULLEY ROCKER ARM	01
08Fb	0503031128	5Z PLASTIC DOUB PULLEY FOR SOYBEAN	02
08Fc	0503031130	PIN OF THE PULLEY	01
08Fd	0503011853	503050 CLAMPING RING (FOR HOLE)	01
08G	0501013468	ROCKER ARM AXLE, OF THE PULLEY	01
08H	0503030377	SCRAPER	01
09	0503010675	5/16" X 2.1/4" BOLT	01
10	0502010408	SEED DISC LOWER TRAIL	01
11	0521010536	0.3" X 3.8" COUPLING SHAFT	01
12	0503010140	1/8" X 3/4" COTTERPIN	01
13	0503030083	3/8" X 3/8" X 1.6" STUD	01
14	0503010025	3/8 SPRING WASHER	03
15	0503010209	3/8" UNC BUTTERFLY NUT	02
16	0502020564	SOYBEAN DISC WITH 100 HOLES	01
17	0501013355	DISC SEAT	01
18	0511013590	HEX STUD 3/8" X 3/8"	01
19	0511013494	DEFLECTOR	01



Item	Code	Description	QT
02	0551019904	PRESS WHEEL RIM	02
03	0503030891	RUBBER BAND	01
04	0501053228	STRIPED BOX WHEEL DEPTH ASSY	01
04A	0511062582	DEPTH CONTROL AXLE WITH DUST CLOAK	01
04B	0502011918	DEPHT WHEELS BOX	01
04C	0503010269	6204 BALL BEARING	02
04D	0501013636	SPACING SLEEVE	01
04E	0503010689	SEAL 00763-BR	01
04F	0503011105	SEAL RING	01
04G	0503010878	5/8" SELF ALIGNING NUT	01
04H	0521019178	COVER DEPTH	01
04I	0503030757	2.9" X 2" X 0.02" JOINT	01
04J	0503013758	1/4" X 1-1/2" BOLT	03
04K	0503011441	SPRING WASHER	03
04L	0503011098	1/4" GREASE FITTING	01
05	0561016889	STRIPED CAP WHEEL DEPTH	01
06	0503010365	NUT	06
07	0503010179	SPRING WASHER	06
08	0503010337	5/16" NUT	06



Item	Code	Description	QT
00	0511048163	RH SHORT ROW FERTILIZER ASSY	01
00A	0511048164	LEFT SHORT FERTIL ROW ASSY	01
00B	0511048165	LONG FERTIL ROW ASSY	01
00C	0511048174	LEFT SHORT FERTILIZER ROW	01
01	0501059307	15 X 15 RIGHT FERT UNAL DOUB-DISC ASSY	01
01A	0501059308	15" X 15" LEFT FERT UNAL-DD ASSY	01
02	0502011814	REAR FIXER	01
03	0502011567	FERTILIZER ROW SUPPORT	01
04	0503010762	5/8" X 3-12" BOLT	03
05	0503012412	HEX SELF ADJUSTING NUT 5/8 UNC S	05
06	0511065857	FERTILIZER ROW LOWER SUPPORT	01
07	0521010066	3/4" X 8.12" BOLT	01
08	0531013498	SUPPORT SLEEVE SPACER	02
09	0511017232	FLAT WASHER	04
10	0503010023	SPRING WASHER	03
11	0503011255	3/4" LOCK NUT	04
12	0511063862	FERTILIZER ROW UPPER SUPPORT	01
13	0501010452	5/8" X 5" BOLT	03
14	0531015184	FLAT WASHER	03
15	0531016031	1/2" SPRING WASHER	03
16	0531016207	0.6" X 1" X 2.8" SLEEVE	03
17	0511064999	SHORT FERTILIZER ROW REAR SUPPORT	01
17A	0511065000	LONG FERTILIZER ROW REAR SUPPORT	01
18	0511061796	SPRING GUIDE	01
19	0521016057	COUP SHA OF THE CARRY-W SPRING GUI	01
20	0503010257	1/8" X 1" COTTERPIN	01
21	0502020393	SPRING UPPER SUPPORT	02
22	0503031450	2.7" X 9.2" X 0.03" SPRING	01
23	0521011158	SPRING LOCKNUT	01
24	0521018575	REGULATOR SPINDLE 100	01
25	0511018662	SPACING PLATE	02
26	0503010752	1/2" X 3.1/2" BOLT	02
27	0503010019	1/2" SPRING WASHER	02

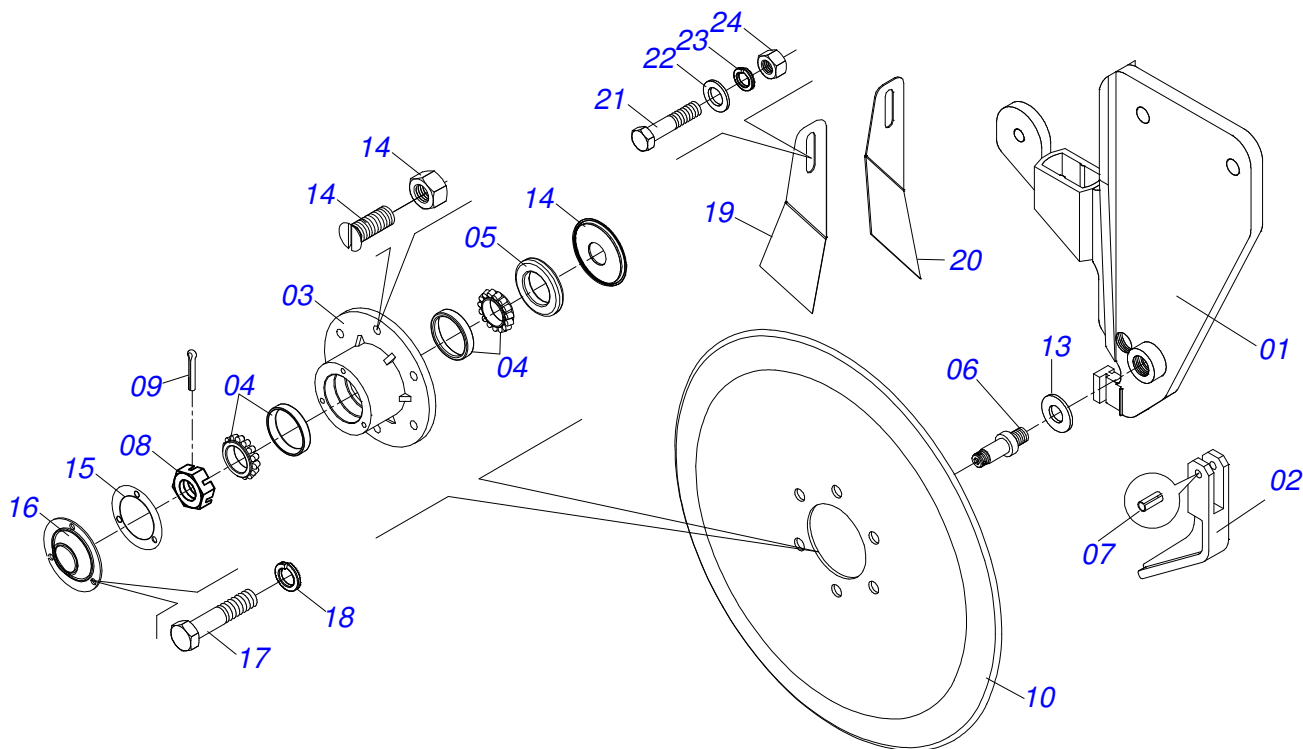


COP AFRICA
FERTILIZER ROW ASSY

Page 22
0909093204

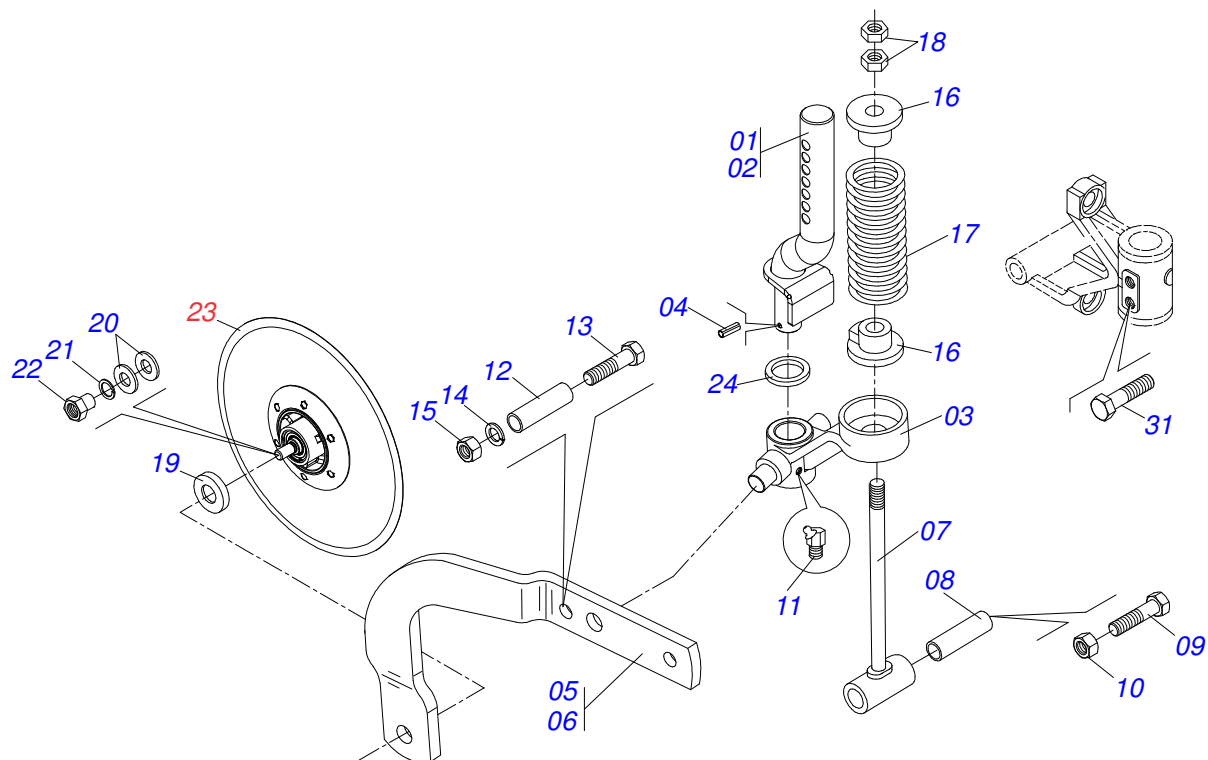
Item	Code	Description	QT
28	0503010060	1/2" NUT	02
29	0503030408	10 X 2 X 390 HOSE	01
30	0503031076	2" HOSE CLAMP	01
31	0503030391	RIGHT FERTILIZER SOCKET	01
32	0503030392	LEFT FERTILIZER SOCKET	01
33	0511044552	ROW 18 BLADE DISC ASSY	01
34	0511044576	ROW 18 BLADE DISC ASSY	01

15X15 SEED UNAL DOUBLE-DISC ASSY



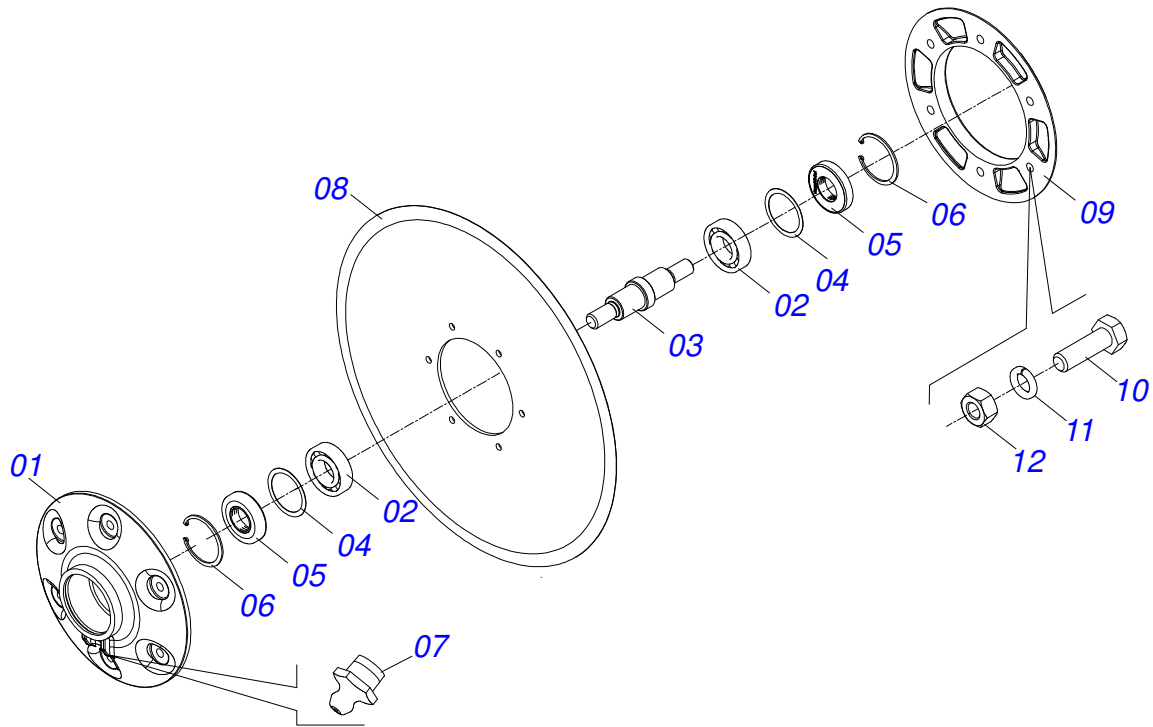
Item	Code	Description	QT
01	0502011160	15"X15" RIGHT DOUBLE DISC SUPPORT	01
01.	0502011161	15"X15" LEFT DOUBLE DISC SUPPORT	01
02	0502070062	SCRAPER	01
03	0502011930	DOUBLE DISC COULTER BOX	02
04	0503010598	30204 BALL BEARING	04
05	0503011112	SEAL 02376-BRG	02
06	0521019154	RIGHT DOUB DISC HUB	01
06.	0521019148	LEFT DOUBLE DISC HUB	01
07	0503011402	0.2" X 0.8" SPRING PIN	01
08	0503030282	3/4" CASTLE NUT	01
09	0503010257	1/8" X 1" COTTERPIN	02
10	0603022042	13" X 0.12" PLAIN COULTER BLADE	02
11	0503010546	5/16" X 7/8" BOLT	12
12	0503010337	5/16" NUT	12
13	0511015098	FLAT WASHER	06
14	0511011927	DUST CLOAK	02
15	0503030757	2.9" X 2" X 0.02" JOINT	02
16	0502012517	COVER	02
17	0503014891	1/4" X 3/4" BOLT	06
18	0503011441	SPRING WASHER	06
19	0501017542	LH DOUBLE DISC SCRAPER	01
20	0501017541	RH DOUBLE DISC SCRAPER	01
21	0503010751	C3/8" X 1.1/4" HEX BOLT G.5	01
22	0501010984	FLAT WASHER	02
23	0503011443	SPRING WASHER	01
24	0503010026	3/8" NUT	01

18" BLADE DISC FOR SHORT LINE ASSY

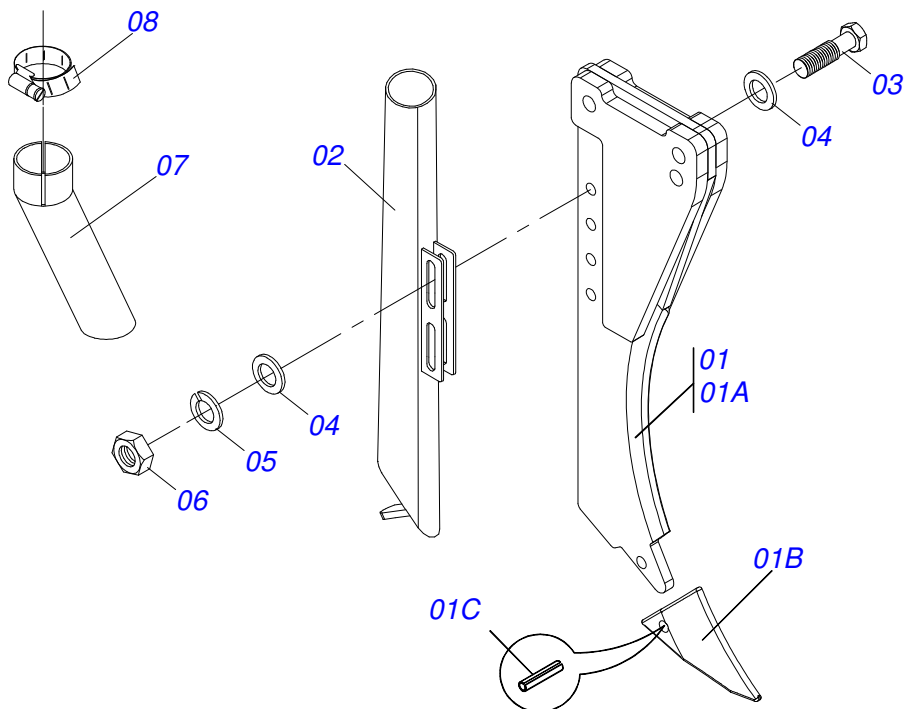


Item	Code	Description	QT
00	0511044552	ROW 18 BLADE DISC ASSY	01
00a	0511044576	ROW 18 BLADE DISC ASSY	01
01	0511067044	LONG WHIT BEATER BLADE DISC FIX AXLE	01
02	0511067045	SHORT WHIT BEATER BLADE DISC FIX AXLE	01
03	0502012368	BLADE DISC SUPPORT AXLE	01
04	0503010361	SPRING PIN	01
05	0521067844	RIGHT ARM	01
06	0521067843	LEFT ARM	01
07	0501067323	SPRING REGULATOR	01
08	0521010452	SLEEVE	01
09	0503013185	3/4" X 5-1/2" BOLT	01
10	0503011255	3/4" LOCK NUT	01
11	0503010003	1845 GREASE FITTING	01
12	0571010188	13,50 X 19 X 86,30/86 SLEEVE	01
13	0503011411	1/2" X 5-1/2" BOLT	01
14	0503011440	SPRING WASHER	01
15	0503010060	1/2" NUT	01
16	1902020393	SPRING UPPER SUPPORT	02
17	0503031341	2.7 X 8 X 0.5 COMPRESSION SPRING	01
18	0503010014	3/4" NUT	03
19	0521015376	DUST CLOAK	02
20	0521015818	FLAT WASHER	06
21	0503011438	SPRING WASHER	02
22	0521013510	3/4" NUT	02
23	0501052139	18 BLADE DISC WITH FLAT PLAN DISC	01
24	0541018684	FLAT WASHER	01
25	0511016156	5/8" X 1.1/2" BOLT	02

18 BLADE DISC WITH FLAT PLAN DISC



Item	Code	Description	QT
01	0502011562	DC PST ACT/ULTR BOX	01
02	0503010276	6206 BALL BEARING	02
03	0521013610	BLADE DISC HUB AXLE	01
04	0503030832	FLAT WASHER	02
05	0503012417	SEAL	02
06	0503011800	SEAL RING	02
07	0503010691	1/4" GREASE FITTING	01
08	0603026013	PLAIN COULTER BLADE	01
09	0502020641	BLADE DISC FLANGE	01
10	0503010371	5/16" X 1" BOLT	06
11	0503011444	SPRING WASHER	06
12	0503010337	5/16" NUT	06



Item	Code	Description	QT
00	0501054483	SCARIFIER SPINDLE ASSY	
01	0501110231	SCARIFIER SPINDLE	01
01A	0511061768	FERTILIZER SCARIFIER SPINDLE	01
01B	0502070061	POINT SUBSOILER	01
01C	0503011373	0.4" X 1.1" SPRING PIN	01
02	0511063823	FERT CONDUCTOR WITH REGULATOR	01
03	0503010751	C3/8" X 1.1/4" HEX BOLT G.5	02
04	0501010984	FLAT WASHER	04
05	0503010025	3/8 SPRING WASHER	02
06	0503010026	3/8" NUT	02
07	0503031050	CURVED CONDUCTOR	01
08	0503010246	CLAMP	01



MARCHESAN IMPLEMENTOS E MÁQUINAS AGRÍCOLAS TATU S.A.

AV. Marchesan, 1979 - Post office box, 131 - CEP 15994-900 - Matão - SP - Brazil

Phone +55 16.3382-8282

(FAX Parts) + 55 16.3382. 8297 - (Export) + 55 16.3382.1003

e.mail: tatu@marchesan.com.br www.marchesan.com.br

Technical Publications: Elaboration

JOSÉ DOMINGOS GASPARI

Technical Publications: Revision

JOSÉ DOMINGOS GASPARI

Contact Catálogo:

E-mail = jgaspari@marchesan.com.br

**ORIGINAL PARTS
TATU**

