

PARTS CATALOG

ROW CROP PLANTERS

PST4

Code: 0501090931



Series: S-0211

Rev.: 01

Date Rev.: FEVEREIRO/2011

ORIGINAL PARTS
TATU



PRODUCTS

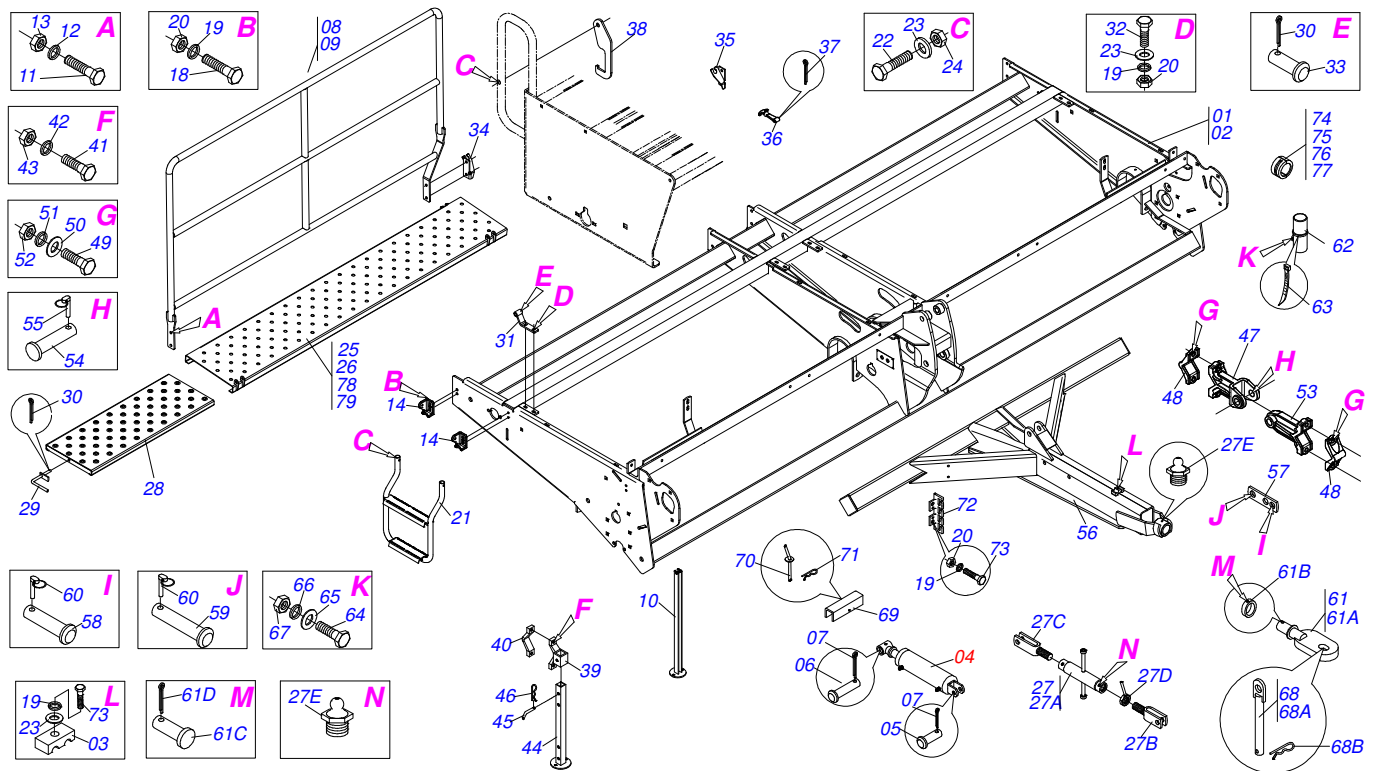
Code	Description	
0111150385	PST4 11/11 D/H MH	S-0211
0111150384	PST4 9/9 D/H MH	S-0211

ATTENTION: IMPORTANT

MARCHESAN S/A RESERVES THE RIGHT AT ANY TIME TO MAKE IMPROVEMENTS IN THE DESIGN, MATERIAL OR SPECIFICATIONS OF MACHINERY, EQUIPMENT OR PARTS WITHOUT THEREBY BECOMING LIABLE TO MAKE SIMILAR CHANGES IN MACHINERY, EQUIPMENT OR PARTS PREVIOUSLY SOLD.

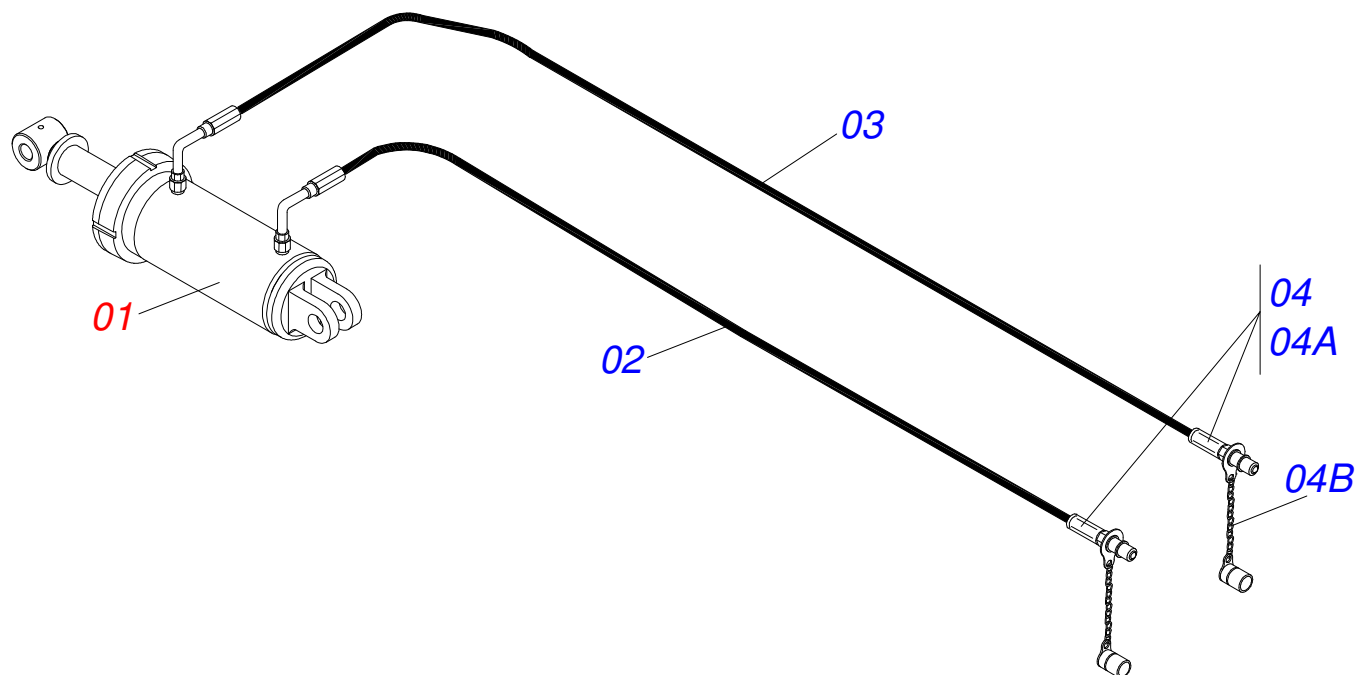
INDEX

0909093336	FRAME 7 E 9	1
0511041188	2" X 5" X 19.5" X 7.5" HYDRAULIC CYLINDER	2
0909093034	7 9 HYDRAULIC CIRCUIT	3
0909093337	ROW 11 FRAME	4
0511041187	HYDRAULIC CYLINDER	5
0909093105	HYDRAULIC CIRCUIT	6
0909093340	TRANSMISSION	7
0909093035	GEAR BOX ASSY	8
0511046744	TRANSMISSION DRIVING ASSY	9
0909093036	SIDE TRANSMISSION DRIVING ASSY	10
0909093345	WHEELS ASSY	11
0501053110	WHEEL TRANSMISSION WITHOUT TIRE	12
0909093038	SUPPORT FERTILIZER BOX	13
0909093320	SEED/FERTILIZER ROW ASSY	15
0909093321	SEED ROW	16
0909093322	REAR SEED ROW	17
0909093298	15X15 SEED UNAL DOUB-DISC ASSY	18
0909093297	PRESS WHEELS ASSY	19
0501052234	SEED SYSTEM ASSY	20
0909093323	FERTILIZER ROW ASSY	21
0909093324	FERTILIZER ROW SCARIFIER SPINDLE	22
0909093309	BLADE DISC ASSY 18"	23
0909093047	ROD FERTILIZER SCARIFIER SPINDLE	24
0909093046	ROW MARKER HYDRAULIC CIRCUIT	25
0511040203	1.5" X 2.5" X 19" X 9" HYDRAULIC CYLINDER	26
0501054649	SEQUENTIAL VALVE ASSY	27
0909093044	MECHANIC ROW MARKER ASSEMBLY	28
0909093045	HYDRAULIC ROW MARKER ASSEMBLY	29
0501050633	MARKER DISC ASSY LINE	30

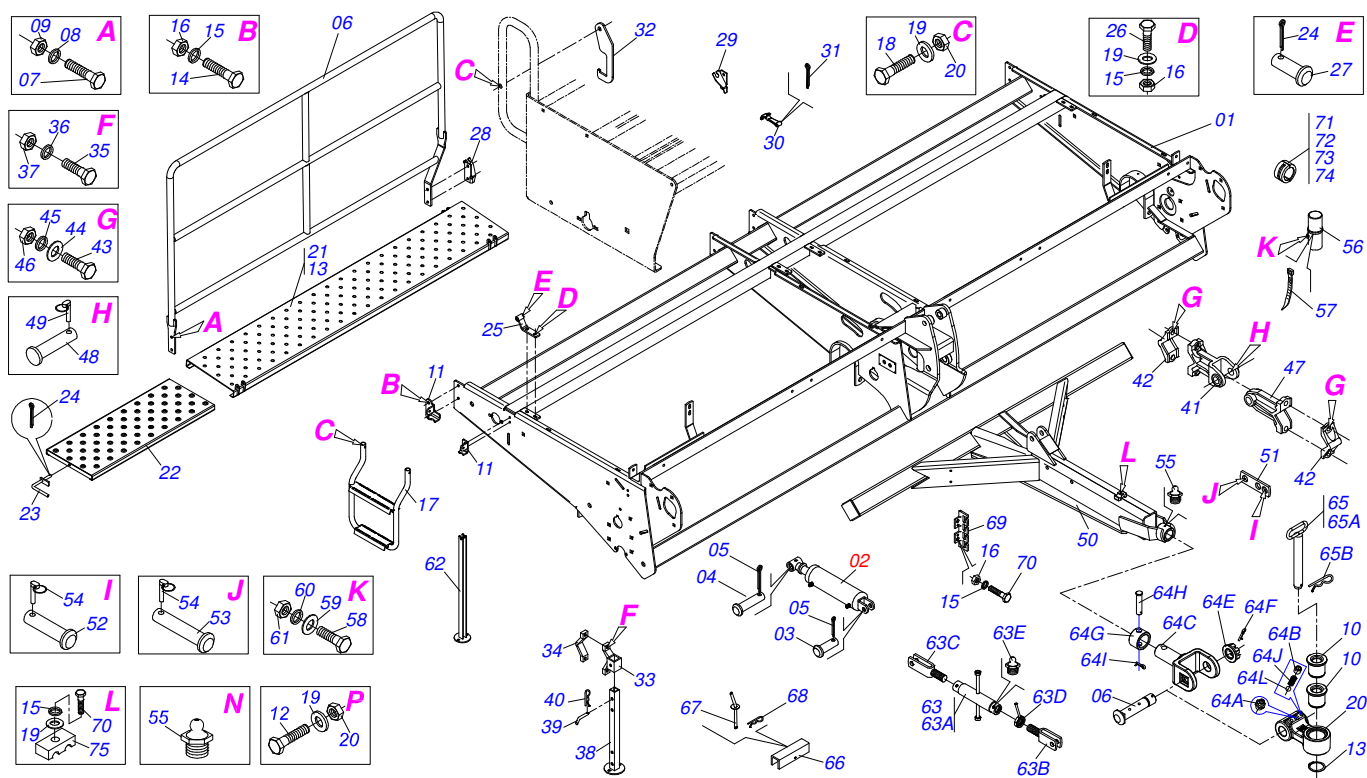


Item	Code	Description	See page	07 09
01	0511069615	PST4 7 S-1207 FRAME		01 00
02	0511069529	FRAME PST4 9 S-1207		00 01
03	0502010477	UPPER CLIP		01 01
04	0511041188	2" X 5" X 19.5" X 7.5" HYDRAULIC CYLINDER	2	01 01
05	0531019171	1.25" X 7" COUPLING SHAFT		01 01
06	0521012536	COUPLING SHAFT		01 01
07	0503010523	1/4" X 2" COTTERPIN		02 02
08	0511069635	HANDRAIL		02 00
09	0511069656	HANDRAIL COP FLEX 600 9		00 02
10	0501065677	STRUT		02 02
11	0503010920	1/2" X 1.1/2" BOLT		08 08
12	0503010019	1/2" SPRING WASHER		08 08
13	0503010060	1/2" NUT		08 08
14	0551019110	LADDER RIGHT FIXER		01 01
15	0551017438	LADDER RIGHT FIXER		01 01
16	0551019109	LADDER LEFT FIXER		01 01
17	0551017437	LADDER RIGHT FIXER		01 01
18	0503010237	3/8" X 1" BOLT		04 04
19	0503010025	3/8 SPRING WASHER		15 15
20	0503010026	3/8" NUT		14 14
21	0511069636	LADDER		02 02
22	0501010096	3/8" X 2" BOLT		06 06
23	0501010984	FLAT WASHER		23 23
24	0503013357	3/8" SELF-ADJUSTING NUT		06 06
25	0511069725	RIGHT PLATFORM		02 00
26	0511069665	PLATFORM RIGHT PST4 9		00 02
27	0501054258	DRAWBAR ESTABILIZER ASSY		01 01
27A	0501069529	653 TURNBUCKLE		01 01
27B	0511060558	RIGHT TURNBUCKLE		01 01
27C	0511060559	LEFT TURNBUCKLE		01 01
27D	0501061056	RH LOCKNUT WITH HANDLER		01 01

Item	Code	Description	See page	07 09
27E	0503010002	1800 GREASE FITTING		02 02
28	0521061676	PLATFORM PROLONG		02 02
29	0511069664	PLATFORM EXTENSION LOCK		02 02
30	0503010257	1/8" X 1" COTTERPIN		06 06
31	0511069661	PLATFORM SUPPORT PIVOT		04 04
32	0503010849	3/8" X 1-1/2" BOLT		08 08
33	0521010549	COUPLING SHAFT		04 04
34	0551019127	PLATFORM RIGHT FIXER SUPPORT		01 01
35	0551019128	PLATFORM LEFT FIXER SUPPORT		01 01
36	0503011333	COVER FIXER		02 02
37	0503010274	5/32"X 2" COTTERPIN		02 02
38	0551019115	LOCK		02 02
39	0502011530	SUPPORT		02 02
40	0502010175	HITCH CLAMP		02 02
41	0501011543	5/8" X 4" BOLT		04 04
42	0503010027	SPRING WASHER		04 04
43	0503010013	5/8" NUT		04 04
44	0511061835	PLOUGH SUPPORT		02 02
45	0501011075	PIN		02 02
46	0503030012	HAIR PIN		02 02
47	0502012328	DRAWBAR SUPPORT FRONT FIXATION		02 02
48	0502012330	SUPPORT FIXER PIVOT		04 04
49	0503011084	3/4" X 5" BOLT		08 08
50	0501010322	FLAT WASHER		08 08
51	0503010023	SPRING WASHER		08 08
52	0503010014	3/4" NUT		08 08
53	0502012329	DRAWBAR FIXATION REAR SUPPORT		02 02
54	0561014393	COUPLING SHAFT		02 02
55	0503030119	LOCK PIN		02 02
56	0511064808	DRAWBAR		01 01
57	0561019087	DRAWBAR TRANSPORT LOCK		01 01
58	0521010578	COUPLING SHAFT		01 01
59	0521010588	0.9" X 7.0" COUPLING SHAFT		01 01
60	0503030085	LOCK PIN		02 02
61	0501051160	TRACTOR HITCH PIN		01 01
61A	0502040556	HITCH TURNER		01 01
61B	0521010681	BUSHING COUPLING BODY		01 01
61C	0521010639	COUPLING SHAFT		01 01
61D	0503010571	1/4" X 1.1/2 COTTERPIN		01 01
62	0503060100	HAND BOOK COMPARTMENT		01 01
63	0503010267	NYLON CLAMP		01 01
64	0503010365	NUT		01 01
65	0501010694	FLAT WASHER		01 01
66	0503010179	SPRING WASHER		01 01
67	0503010337	5/16" NUT		01 01
68	0501047881	COUPLING SHAFT		01 01
68A	0501068989	COUPLING SHAFT		01 01
68B	0503031035	HAIR PIN		01 01
69	0521013022	TRANSPORT LOCK		01 01
70	0501068994	0.3" X 3.1"LOCK PIN		01 01
71	0503030168	HAIR PIN		01 01
72	0541011767	HOSE FIXATION		01 01
73	0503010751	C3/8" X 1.1/4" HEX BOLT G.5		03 03
74	0501047895	ROD STOP		01 01
75	0501047885	ROD STOP		01 01
76	0501047886	ROD STOP		01 01
77	0501047887	ROD STOP		01 01
78	0521062318	LEFT PLATFORM		01 01
79	0521062323	PLATFORM LEFT PST4 9		01 01

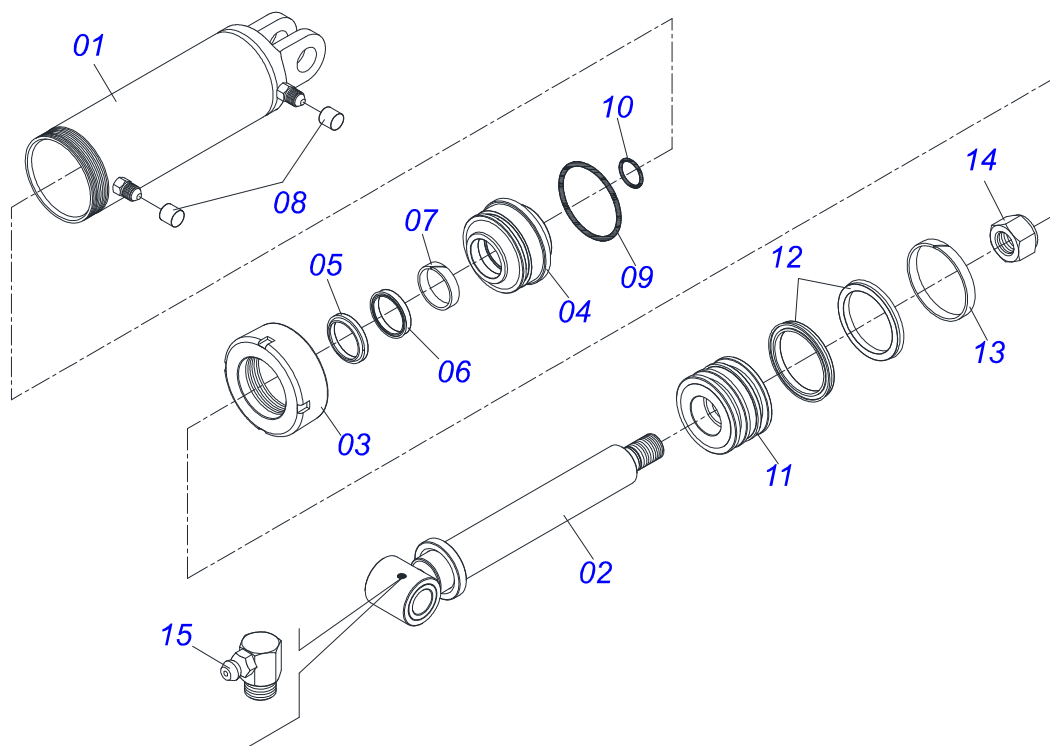


Item	Code	Description	See page	07	09
01	0511041188	2" X 5" X 19.5" X 7.5" HYDRAULIC CYLINDER	2	01	01 01
02	0501080422	3/8" X 157" TC-TM HOSE ASSY		01	01 01
03	0501080446	3/8" X 169" TC-TM HOSE ASSY		01	01 01
04	0501053834	MALE QUICK COUPLING AGRICULTURAL WITH COVER - 1/2 NPT		02	02 02
04A	0503011627	QUICK CONNECTION (MALE) AGR 1/2 NPT		02	02 02
04B	0503011882	QUICK CONNECTION COVER		02	02 02

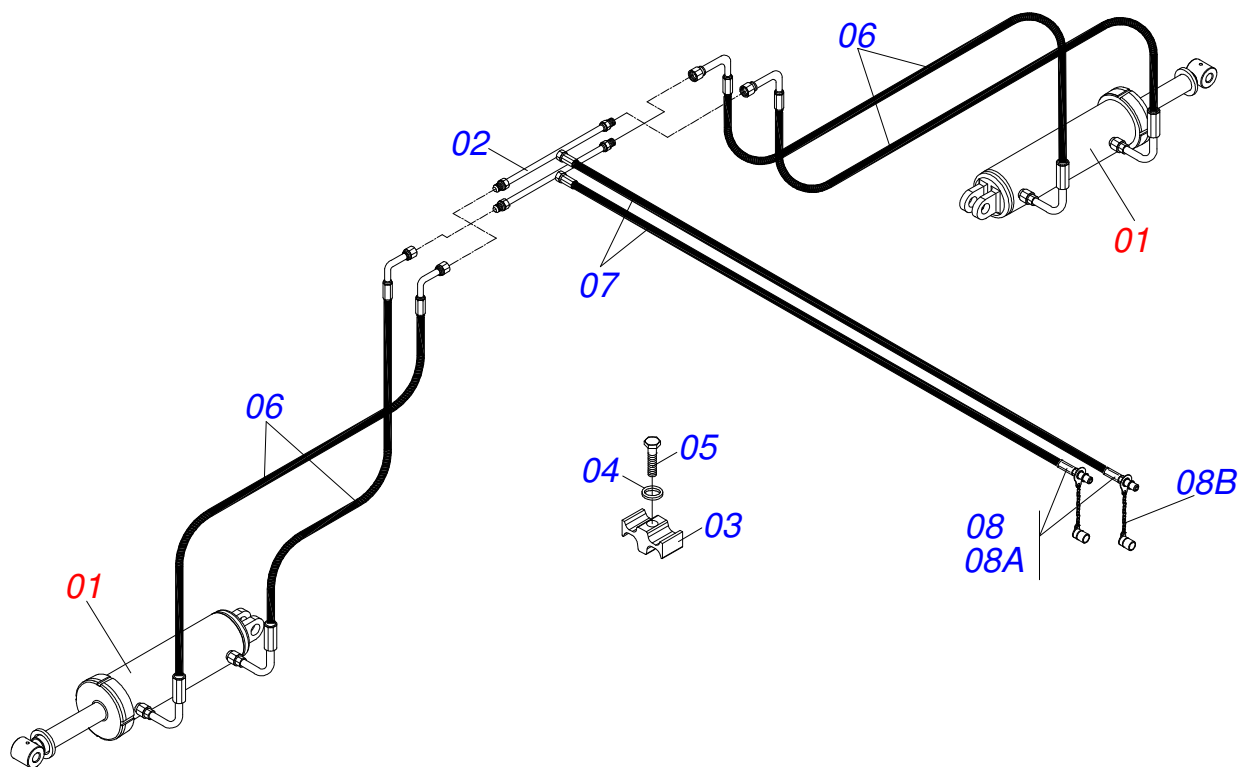


Item	Code	Description	See page
01	0511069616	PST4 SUPREMA FRAME	01
02	0511041187	HYDRAULIC CYLINDER	5 02
03	0521012538	1.2" X 3.5" COUPLING SHAFT	02
04	0521012538	1.2" X 3.5" COUPLING SHAFT	02
05	0503010523	1/4" X 2" COTTERPIN	04
06	0511069660	HANDRAIL COP FLEX 600 11	02
07	0503010920	1/2" X 1.1/2" BOLT	08
08	0503010019	1/2" SPRING WASHER	08
09	0503010060	1/2" NUT	08
10	0551019110	LADDER RIGHT FIXER	01
11	0551017438	LADDER RIGHT FIXER	01
12	0551019109	LADDER LEFT FIXER	01
13	0551017437	LADDER RIGHT FIXER	01
14	0503010237	3/8" X 1" BOLT	04
15	0503010025	3/8 SPRING WASHER	15
16	0503010026	3/8" NUT	14
17	0511069636	LADDER	02
18	0501010096	3/8" X 2" BOLT	06
19	0501010984	FLAT WASHER	23
20	0503013357	3/8" SELF-ADJUSTING NUT	06
21	0511069718	PLATFORM RIGHT PST4 11	02
22	0521061676	PLATFORM PROLONG	02
23	0511069664	PLATFORM EXTENSION LOCK	02
24	0503010257	1/8" X 1" COTTERPIN	06
25	0511069661	PLATFORM SUPPORT PIVOT	04
26	0503010849	3/8" X 1-1/2" BOLT	08
27	0521010549	COUPLING SHAFT	04
28	0551019127	PLATFORM RIGHT FIXER SUPPORT	01
29	0551019128	PLATFORM LEFT FIXER SUPPORT	01
30	0503011333	COVER FIXER	02
31	0503010274	5/32"X 2" COTTERPIN	02

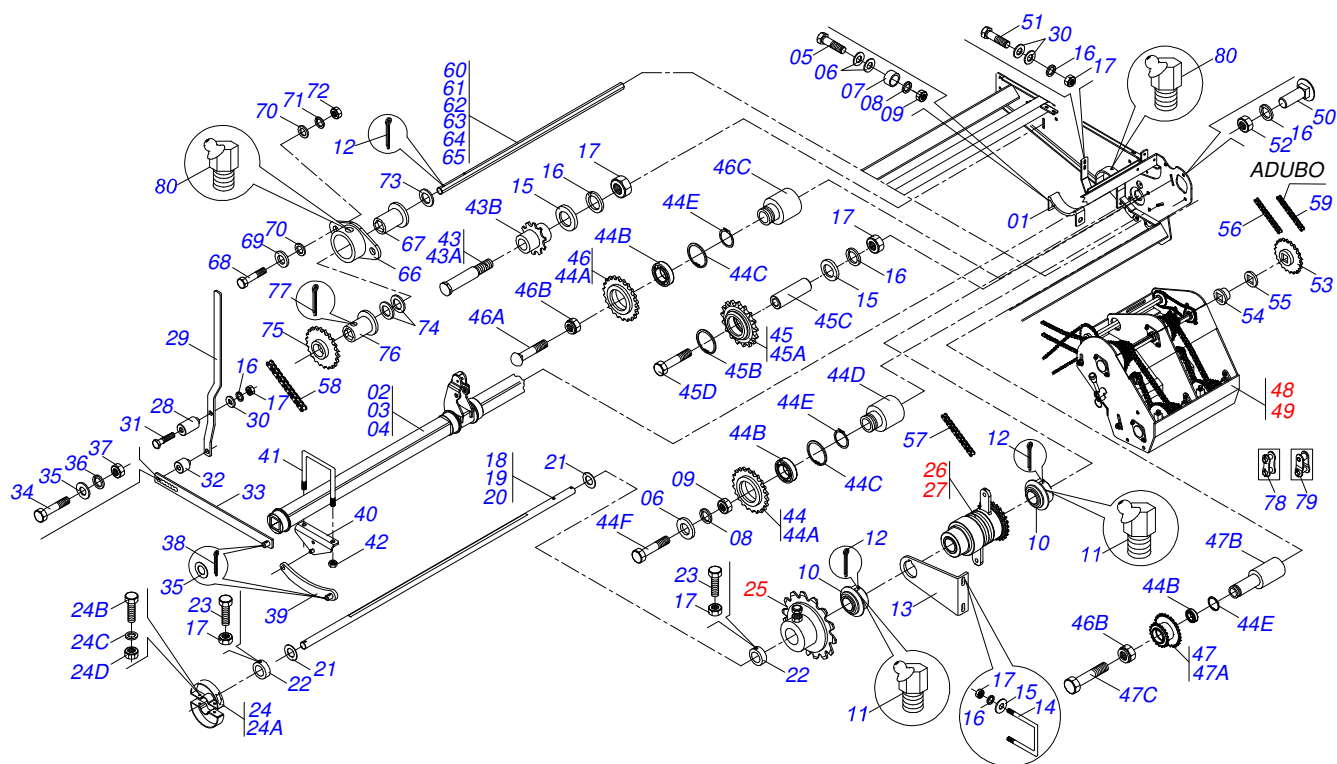
Item	Code	Description	See page
32	0551019115	LOCK	02
33	0502011530	SUPPORT	02
34	0502010175	HITCH CLAMP	02
35	0501011543	5/8" X 4" BOLT	04
36	0503010027	SPRING WASHER	04
37	0503010013	5/8" NUT	04
38	0511061835	PLOUGH SUPPORT	02
39	0501011075	PIN	02
40	0503030012	HAIR PIN	02
41	0502012328	DRAWBAR SUPPORT FRONT FIXATION	04
42	0502012330	SUPPORT FIXER PIVOT	08
43	0503011084	3/4" X 5" BOLT	16
44	0501010322	FLAT WASHER	16
45	0503010023	SPRING WASHER	16
46	0503010014	3/4" NUT	16
47	0502012329	DRAWBAR FIXATION REAR SUPPORT	04
48	0561014393	COUPLING SHAFT	04
49	0503030119	LOCK PIN	04
50	0511064808	DRAWBAR	01
51	0561019087	DRAWBAR TRANSPORT LOCK	01
52	0521010578	COUPLING SHAFT	01
53	0521010588	0.9" X 7.0" COUPLING SHAFT	01
54	0503030085	LOCK PIN	02
55	0503010002	1800 GREASE FITTING	01
56	0503060100	HAND BOOK COMPARTMENT	01
57	0503010267	NYLON CLAMP	01
58	0503010365	NUT	01
59	0501010694	FLAT WASHER	01
60	0503010179	SPRING WASHER	01
61	0503010337	5/16" NUT	01
62	0501065677	STRUT	02
63	0501054258	DRAWBAR ESTABILIZER ASSY	01
63A	0501069529	653 TURNBUCKLE	01
63B	0511060558	RIGHT TURNBUCKLE	01
63C	0511060559	LEFT TURNBUCKLE	01
63D	0501061056	RH LOCKNUT WITH HANDLER	01
63E	0503010002	1800 GREASE FITTING	02
64	0501051160	TRACTOR HITCH PIN	01
64A	0502040556	HITCH TURNER	01
64B	0521010681	BUSHING COUPLING BODY	01
64C	0521010639	COUPLING SHAFT	01
64D	0503010571	1/4" X 1.1/2 COTTERPIN	01
65	0501047881	COUPLING SHAFT	01
65A	0501068989	COUPLING SHAFT	01
65B	0503031035	HAIR PIN	01
66	0521013022	TRANSPORT LOCK	02
67	0501068994	0.3" X 3.1" LOCK PIN	02
68	0503030168	HAIR PIN	02
69	0541011767	HOSE FIXATION	01
70	0503010751	C3/8" X 1.1/4" HEX BOLT G.5	03
71	0501047895	ROD STOP	01
72	0501047885	ROD STOP	01
73	0501047886	ROD STOP	01
74	0501047887	ROD STOP	01
75	0502010477	UPPER CLIP	01
76	0521062324	PLATFORM LEFT PST4 11	01



Item	Code	Description	See page	QT
01	0511064052	4" X 12.1" CYLINDER CASE		01
02	0511064053	SLEEVE 2" X 14" TURNBUCLE		01
03	0502010017	4" HEAD		01
04	0502010778	2" X 4.2" RING SUPPORT		01
05	0503010039	D-2000 SCRAPER RING		01
06	0503010991	PACKING 1870-2000-375-B		01
07	0503010952	W2-2250-500 PK RING G.E		01
08	0503030385	CYLINDER PLUG N-002		01
09	0503010338	2-342 N 3006-9B O'RING		01
10	0503010345	2-218 N 3006-9B O'RING		01
11	0502010992	2.0" X 4.0" PISTON		01
12	0503010043	PACKING 3750-3250		02
13	0503010994	W2-4000-500 PK RING G.E		01
14	0503010817	1-1/4" SELF-ADJUSTING NUT		01
15	0503010003	1845 GREASE FITTING		01



Item	Code	Description	See page
01	0511058406	HYDRAULIC CYLINDER	02
02	0511063404	"T" OIL CONDUCTOR	02
03	0502012702	BODY SUPPORT CLAMP	06
04	0503010180	7/16" SPRING WASHER	04
05	0503012555	7/16" X 2" BOLT	06
06	0501080449	3/8" X 1500 TC-TC HOSE	04
07	0501080361	3/8" X 157" TR-TM HOSE ASSY	02
08	0501053834	MALE QUICK COUPLING AGRICULTURAL WITH COVER - 1/2 NPT	02
08A	0503011627	QUICK CONNECTION (MALE) AGR 1/2 NPT	02
08B	0503011882	QUICK CONNECTION COVER	02



Item	Code	Description	See page	07 09 11
01	0521013199	LOWER BEARING SEMI		04 04 06
02	0511069724	CARRYING-WHEELS PIVOT SHAFT		01 00 00
03	0511069682	CARRYING-WHEELS PIVOT SHAFT		00 01 00
04	0511069717	CARRYING-WHEELS PIVOT SHAFT		00 00 01
05	0503010899	5/8" X 2-1/4" BOLT		08 08 12
06	0501012140	FLAT WASHER		18 18 26
07	0531013922	0.6" X 0.8" X 1" SLEEVE		08 08 26
08	0503011445	SPRING WASHER		10 10 14
09	0503010013	5/8" NUT		10 10 14
10	0501110639	AGRIC BEARING		06 08 08
11	0503011099	GREASE FITTING		06 08 08
12	0503010300	5/32" X 1" COTTERPIN		06 08 08
13	0551019114	MOTOR BEARING AXLE SUPPORT		02 04 04
14	0521014021	1/2" X 4.5" X 5.4" FASTENER		02 04 04
15	0511017302	FLAT WASHER		08 12 12
16	0503010019	1/2" SPRING WASHER		18 22 24
17	0503010060	1/2" NUT		16 20 22
18	0561016882	1535 MOTOR SHAFT		02 00 00
19	0561016881	MOTOR SHAFT		00 02 00
20	0561016876	MOTOR SHAFT		00 00 02
21	0501018466	FLAT WASHER		04 04 04
22	0511015961	LOCK BUSHING		04 04 04
23	0503030679	1/2" X 1-1/4" BOLT		04 04 04
24	0501052560	AXLE MOTOR SLOW-MOVING ASSY		02 02 02
24A	0503031825	AXLE MOTOR SLOW-MOVING		02 02 02
24B	0503010240	5/16" X 3/4" BOLT		02 02 02
24C	0503010179	SPRING WASHER		02 02 02
24D	0503010337	5/16" NUT		02 02 02
25	0511046744	TRANSMISSION DRIVING ASSY	9	02 04 04
26	0511047069	SIDE TRANSMISSION DRIVING		01 01 01
27	0511047070	LH SIDE TRANSMISSION DRIVING		01 01 01



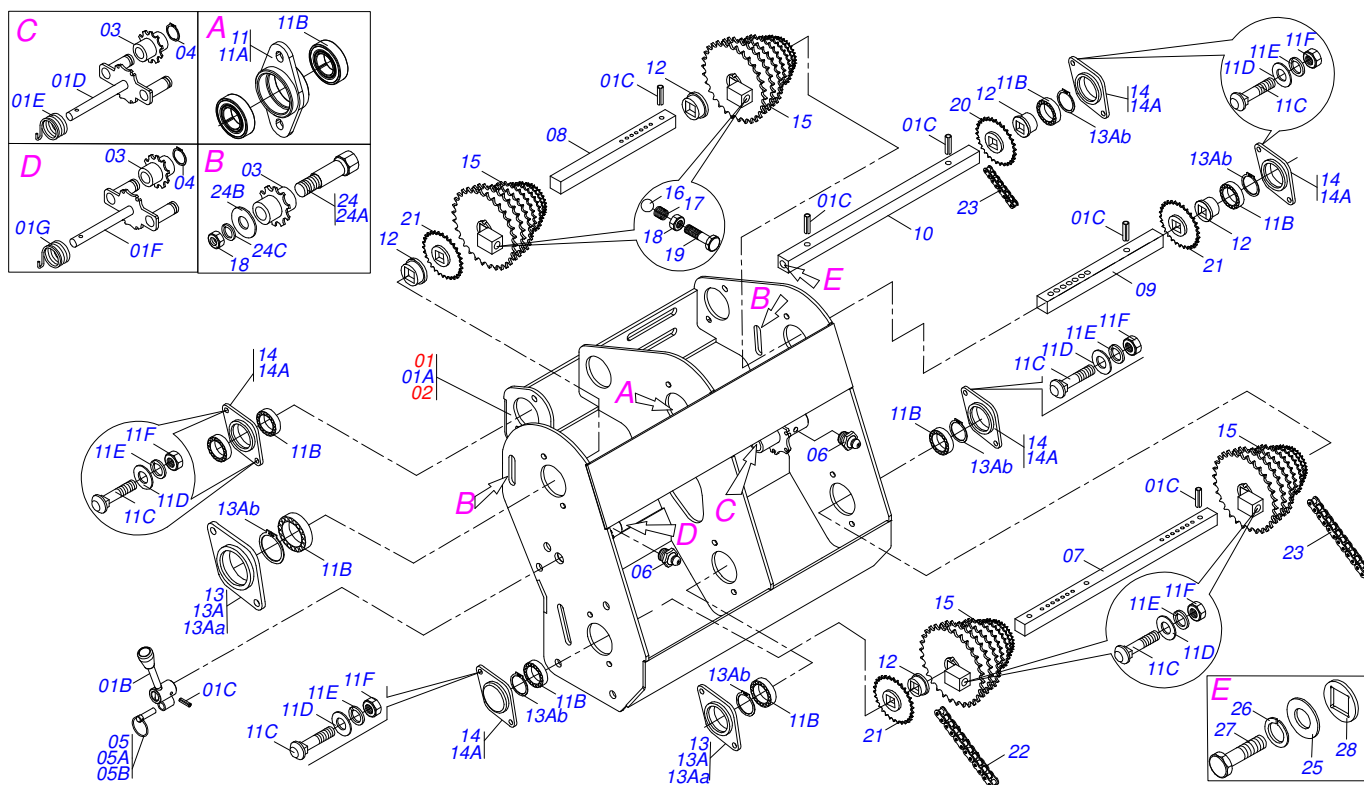
PST4
TRANSMISSION

Item	Code	Description	See page	07 09 11
28	0551019168	SLEEVE		02 02 02
29	0551019160	LEVER		02 02 02
30	0511017302	FLAT WASHER		10 10 12
31	0503011172	1/2" X 2-1/2" BOLT		02 02 02
32	0551019167	SLEEVE UNION		02 02 02
33	0511069676	INNER LEVER		02 02 02
34	0501010096	3/8" X 2" BOLT		02 02 02
35	0501010984	FLAT WASHER		10 10 10
36	0503010025	3/8 SPRING WASHER		02 02 02
37	0503010026	3/8" NUT		02 02 02
38	0503010140	1/8" X 3/4" COTTERPIN		06 06 06
39	0511069678	LH LOWER LEVER		01 01 01
40	0551019159	LEVER FIXER BODY		02 02 02
41	0561016468	FASTENER		02 02 02
42	0503011336	1/2" HEX SELF ADJUSTING NUT		04 04 04
43	0501054655	CHAIN TENSIONER ASSY		02 02 02
43A	0531019479	AXLE CHAIN GEAR		02 02 02
43B	0503031805	11Z 1/2" GEAR		02 02 02
44	0501058234	LOWER CHAIN TENSIONER		02 02 02
44A	0511062169	21Z P 1/2" GEAR		04 04 04
44B	0503011410	ROLLER BEARING		08 08 08
44C	0503011105	SEAL RING		04 04 04
44D	0551019171	CHAIN TIGHTENER AXLE		04 04 04
44E	0503010406	501025 CLAMPING RING (FOR AXLE)		06 06 06
44F	0501010163	5/8" X 4-1/2" BOLT		02 02 02
45	0501058235	STRETCHER CURRENT TOP SEED 17Z		02 02 02
45A	0502012367	17Z X P 1/2" GEAR INTERM		02 02 02
45B	0503011945	503050 CLAMPING RING (FOR AXLE)		02 02 02
45C	0551019173	CHAIN SLEEVE TENSIONER		02 02 02
45D	0503011411	1/2" X 5-1/2" BOLT		02 02 02
46	0501058236	BEARING WITH 21Z GEAR		02 02 02
46A	0501010163	5/8" X 4-1/2" BOLT		02 02 02
46B	0503012412	HEX SELF ADJUSTING NUT 5/8 UNC S		04 04 04
46C	0551019171	CHAIN TIGHTENER AXLE		02 02 02
47	0501058237	16Z GEAR BEARING		02 02 02
47A	0511069680	20Z X 28Z DOBLE GEAR		02 02 02
47B	0551019174	DOBLE GEAR AXLE		02 02 02
47C	0503010967	5/8" X 5.1/2" BOLT		02 02 02
48	0521043316	RIGHT GEAR BOX ASSY		01 01 01
49	0521043317	LEFT GEAR BOX ASSY		01 01 01
50	0501010243	1/2" X 1-1/2" BOLT		06 06 06
51	0503010920	1/2" X 1.1/2" BOLT		04 04 04
52	0503012682	1/2" BSW NUT		06 06 06
53	0511067501	26Z GEAR		02 02 02
54	0503030303	SUPPORT WASHER		04 04 04
55	0501010637	FLAT WASHER		08 08 08
56	0503012522	40-1 CHAIN X 85 LINK + MENDING		02 02 02
57	0503012707	40-1 CHAIN X 96 LINK + REDUCTION		02 02 02
58	0503012719	40-1 CHAIN X 113 LINK + MENDING		02 02 02
59	0503012718	40-1 CHAIN X 111 LINK + MENDING		02 00 02
60	0521013432	5/8" X 59" AXLE HEX		01 00 00
61	0521013428	HEX AXLE		01 00 00
62	0521013433	5/8" X 75" AXLE HEX		00 01 00
63	0521013429	LEFT 5/8" X 50.4" AXLE HEX		00 01 00
64	0521013434	5/8" X 90" HEX AXLE		00 00 01
65	0521013430	5/8" X 101.57" HEX AXLE		00 00 01
66	0501110037	5/8" HEX AXLE LEFT BEARING ASSY		02 00 02
67	0502040723	5/8 HEX AXLE BEARING SLEEVE		00 02 02
68	0503010365	NUT		04 04 04



PST4
TRANSMISSION

Item	Code	Description	See page	07 09 11
69	0501010984	FLAT WASHER		04 04 04
70	0501010694	FLAT WASHER		08 08 08
71	0503010179	SPRING WASHER		04 04 04
72	0503010337	5/16" NUT		04 04 04
73	0511015098	FLAT WASHER		02 02 02
74	0511017305	FLAT WASHER		04 04 04
75	0511065562	20Z GEAR		02 02 02
76	0502011299	BUSHING GEAR		02 02 02
77	0503010010	1/4" X 2.1/2" COTTERPIN		02 02 02
78	0503011751	REDUCTION		06 06 06
79	0503011750	AMENDMENT WITH LOCK		06 06 06
80	0503010003	1845 GREASE FITTING		06 06 06



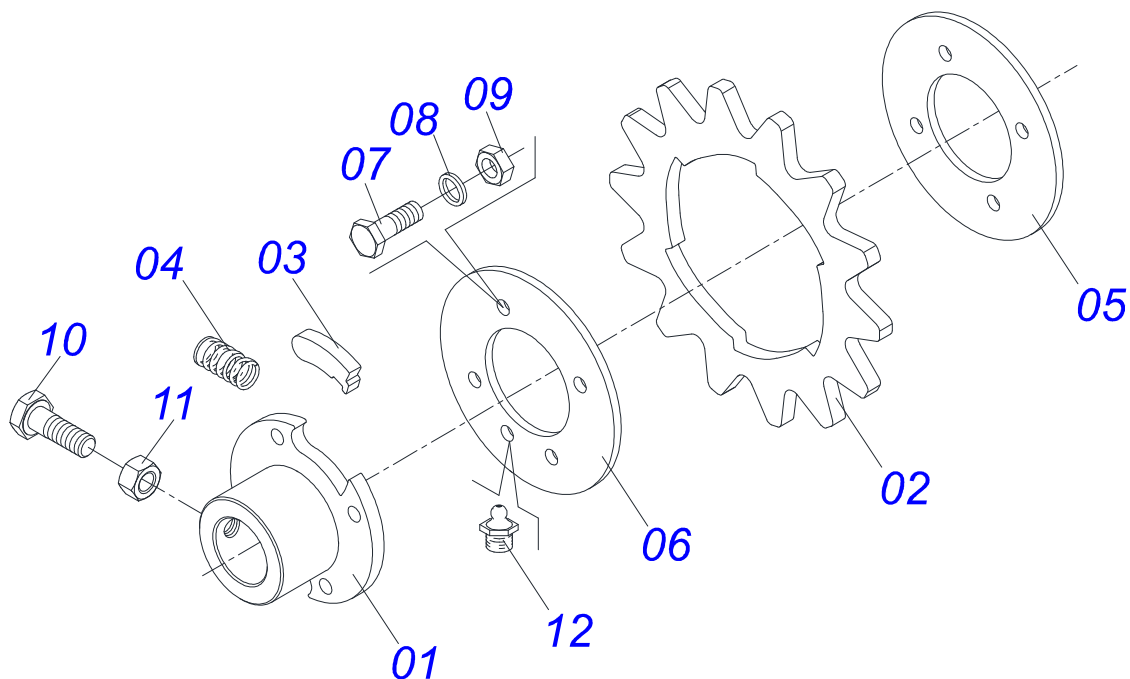
Item	Code	Description	See page	DIR ESQ
00	0511047058	RIGHT GEAR BOX ASSY	01	00
00A	0511047059	LH GEAR BOX ASSY	00	01
01	0501058212	SEMI MOUNTED RIGHT CHANGE	01	00
01A	0511069565	LEFT GEAR BOX	01	00
01B	0502011758	REAR TENSIONER LEVER	02	02
01C	0503010292	0.2" X 1.6" SPRING PIN	07	07
01D	0511061794	CHAIN TENSIONER	01	01
01E	0503031367	SPRING	01	01
01F	0511061795	CHAIN TENSIONER	01	01
01G	0503031367	SPRING	01	01
02	0501058213	LH GEAR BOX	00	01
03	0503031805	11Z 1/2" GEAR	06	06
04	0503010302	501019 SEAL RING	04	04
05	0501048790	AXLE WITH LINK ASSY	02	02
05A	0521012476	GEAR BOX LEVER AXLE	02	02
05B	0503031369	LINK	02	02
06	0503010002	1800 GREASE FITTING	02	02
07	0551018209	DRIVING AXLE	01	01
08	0521018259	DRIVEN AXLE	01	01
09	0551018210	DRIVEN AXLE	01	01
10	0551018211	INTERM SHAFT	01	01
11	0501056447	BEARING DOUBLE CENTRAL ASSY EXCHANGE	01	01
11A	0502011978	HOUSING CENTRAL BEARING	01	01
11B	0503013462	BEARING WITH BALL BEARING	07	07
11C	0503011953	5/16" X 1" BOLT	16	16
11D	0501010694	FLAT WASHER	16	16
11E	0503010179	SPRING WASHER	16	16
11F	0503010337	5/16" NUT	16	16
12	0503030303	SUPPORT WASHER	05	05
13	0501056443	BEARING ASSY GEAR BOX	02	02
13A	0501056444	BEARING WITH BALL BEARING	02	02



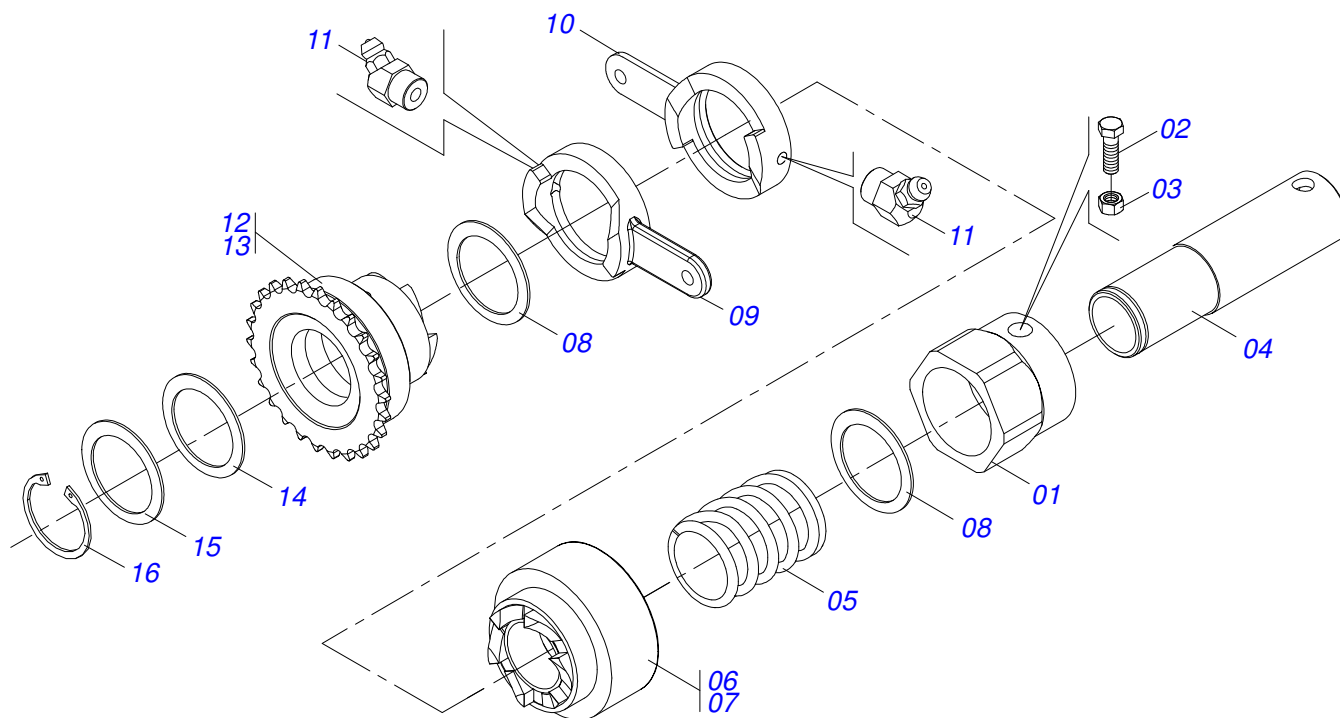
PST4
GEAR BOX ASSY

Page 8
0909093035

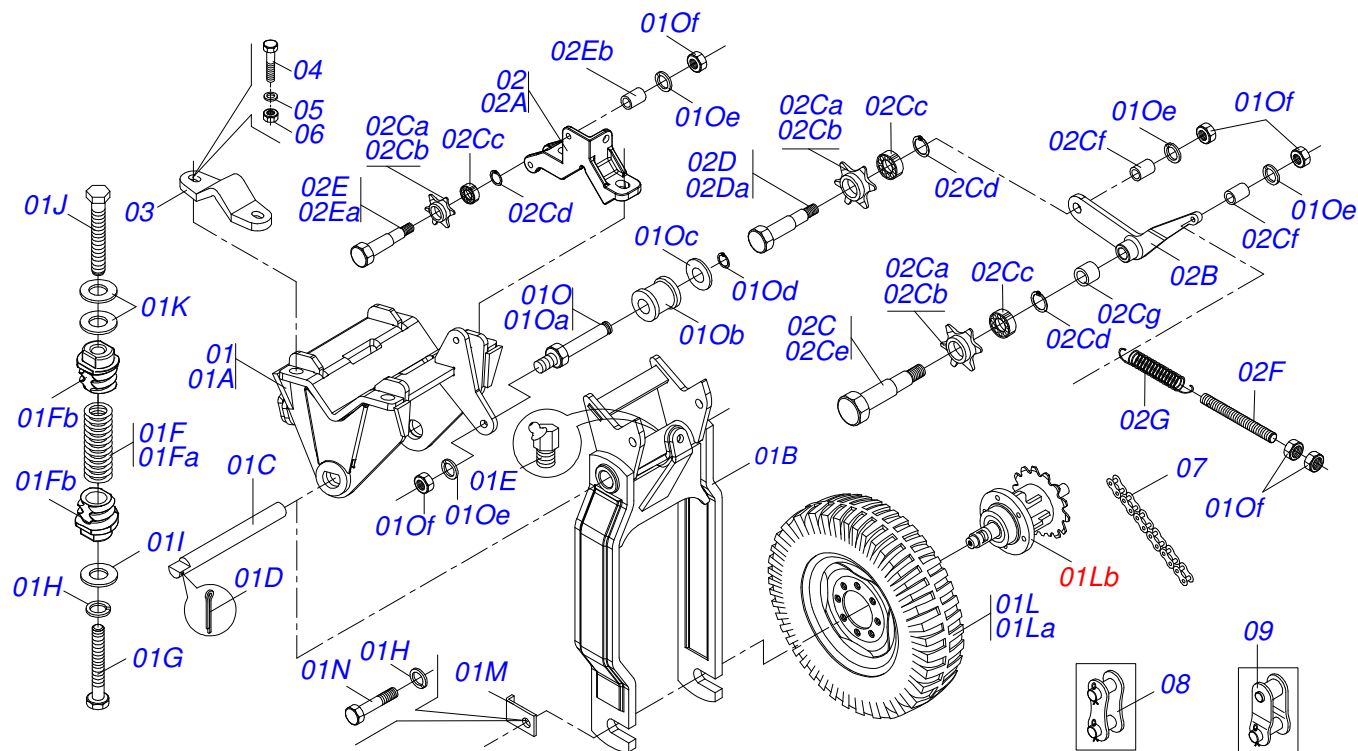
Item	Code	Description	See page	DIR ESQ
13Aa	0502011697	BEARING OF THE GEAR BOX		02 02
13Ab	0503011105	SEAL RING		07 07
14	0501056271	BEARING CLOSED		05 05
14A	0502012310	GEAR BOX CLOSE BEARING		05 05
15	0511060396	DRIVE/DRIVEN AXLE CONE		04 04
16	0503012389	1/2 BALL		04 04
17	0503031512	0.4" X 0.1" X 2" X 0.6" SPRING		04 04
18	0503010060	1/2" NUT		06 06
19	0503010395	1/2" X 1-1/4" BOLT		04 04
20	0511061830	17Z P 0.5" GEAR SQUARE HOL		02 02
21	0511067501	26Z GEAR		01 01
22	0503012204	40-1 CHAIN X 82 LINK + RED		02 02
23	0503012713	40-1 CHAIN X 45 LINK + MEN		01 01
24	0501054655	CHAIN TENSIONER ASSY		02 02
24A	0531019479	AXLE CHAIN GEAR		02 02
24B	0511017302	FLAT WASHER		02 02
24C	0503010019	1/2" SPRING WASHER		02 02
25	0501010984	FLAT WASHER		01 01
26	0503010025	3/8 SPRING WASHER		01 01
27	0503010256	3/8" X 3/4" BOLT		01 01
28	0521018630	1.4" X SQUARE 0.8" WASHER		01 01



Item	Code	Description	See page	QT
01	0511069659	RATCHET BODY		01
02	0551019044	14Z RATCHET GEAR		01
03	0551019100	LOCK RATCHET		02
04	0503030051	0.2" X 1" X 0.1" COMPRESSION SPRING		02
05	0551019098	RATCHET SIDE SUPPORT		01
06	0551019099	RATCHET SIDE SUPPORT		01
07	0503010365	NUT		04
08	0503010179	SPRING WASHER		04
09	0503010337	5/16" NUT		04
10	0503010920	1/2" X 1.1/2" BOLT		01
11	0503010060	1/2" NUT		01
12	0503010002	1800 GREASE FITTING		01

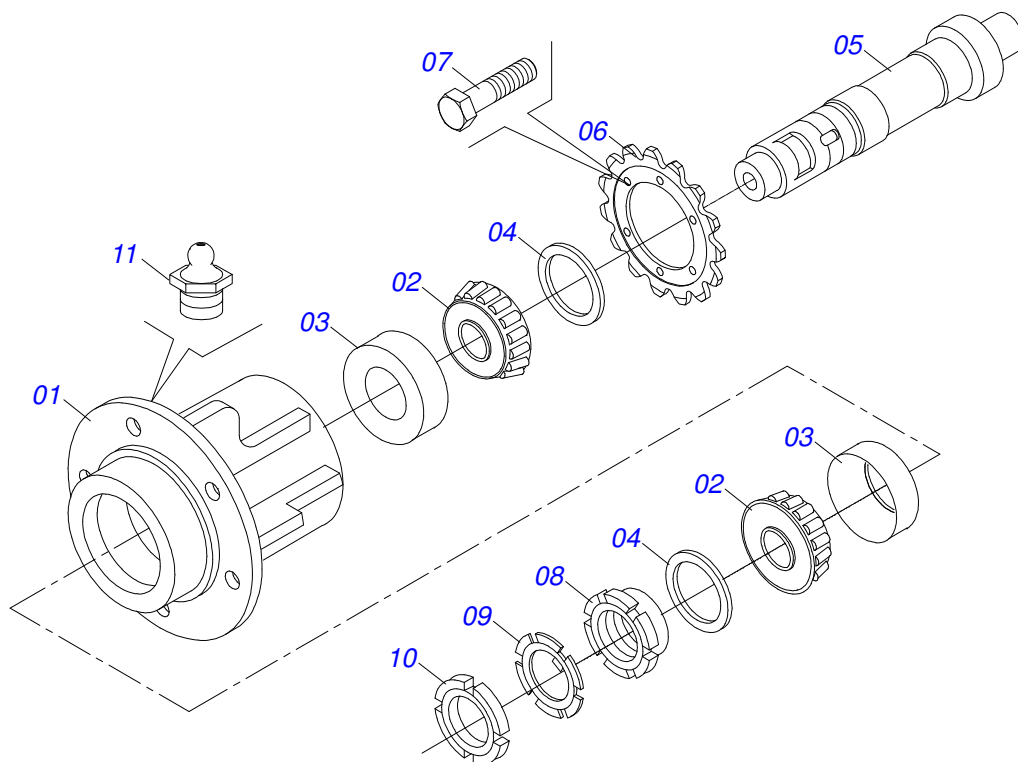


Item	Code	Description	See page	DR	ES
00	0511047069	SIDE TRANSMISSION DRIVING		01	00
00A	0511047070	LH SIDE TRANSMISSION DRIVING		00	01
01	0502011996	SLLEVE FIXER		01	01
02	0503030678	1/2"X1-1/2" BOLT		01	01
03	0503010060	1/2" NUT		01	01
04	0521017590	GUIDE AXLE		01	01
05	0503030553	2.3"X 2.5"X 0.2" COMPRESSION SPRING		01	01
06	0502012009	DRIVING AXLE RIGHT FOLLOWER		01	00
07	0502011995	LH DRIVING AXLE FOLLOWER		00	01
08	0501019734	FLAT WASHER		02	02
09	0502010710	RIGHT CAM, SMALLER		02	00
10	0502010720	RIGHT CAM, SMALLER		00	02
11	0503010003	1845 GREASE FITTING		02	02
12	0502012539	26Z P12,7 GEAR		01	00
13	0502012540	26Z P12,7 GEAR		00	01
14	0501019735	FLAT WASHER		01	01
15	0521017593	FLAT WASHER		01	01
16	0503010542	501045 CLAMPING RING (FOR AXLE)		01	01

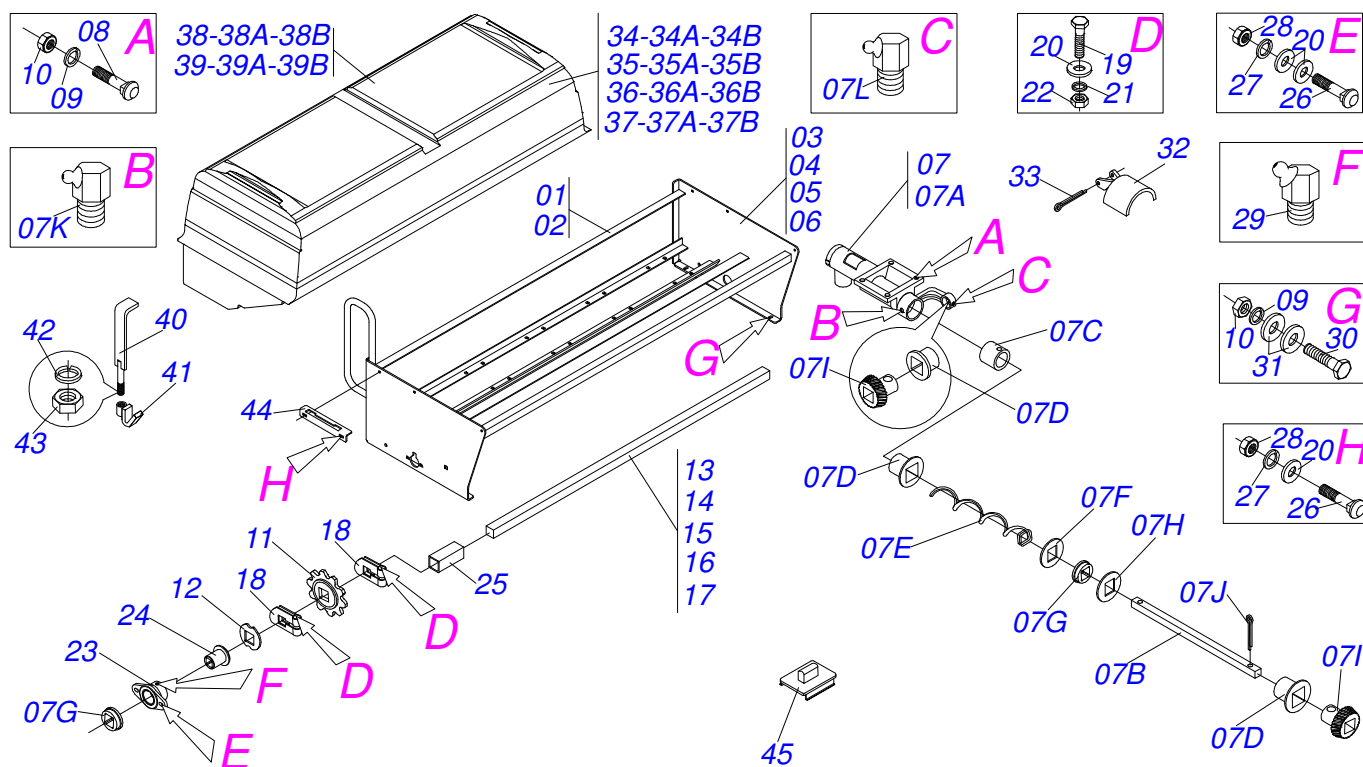


Item	Code	Description	See page	QT
00	0511048529	CARRYING WHEEL ASSY		01
01	0501059909	CARRYING WHEELS SUPPORT		01
01A	0521061567	CARRYING WHEEL SPRING TRACTION SUPPORT		01
01B	0521061565	WHEEL SUPPORT ARM		01
01C	0531016887	CARRYING WHEEL AXLE ARM		01
01D	0503010523	1/4" X 2" COTTERPIN		01
01E	0503010003	1845 GREASE FITTING		01
01F	0511050681	TRACTION SPRING		01
01Fa	0503031681	2.1" X 7.78" EXTENSION SPRING		01
01Fb	0561016062	SPRING HITCH		01
01G	0501010100	5/8 UNC X 2 C S G.5 BOLT		01
01H	0503010027	SPRING WASHER		03
01I	0501012140	FLAT WASHER		01
01J	0503013030	5/8" X 3.1/4" BOLT		01
01K	0551017715	FLAT WASHER		02
01L	0511052772	650X16 WHEEL AND TIRE ASSY		01
01La	0503062160	650 X 16-10L WHEEL AND TIRE ASSY		01
01Lb	0511052769	WHEEL TRANSMISSION WITHOUT TIRE		01
01M	0521012190	AXLE LOCK		02
01N	0503011167	M16 X 2 X 30 BOLT		02
01O	0501058241	TENSIONER CHAIN SUPPORT		01
01Oa	0521018933	113 FERT CHAIN TENSIONER AXLE		01
01Ob	0541016454	PULLEY		01
01Oc	0511015098	FLAT WASHER		01
01Od	0503010302	501019 SEAL RING		01
01Oe	0503010019	1/2" SPRING WASHER		03
01Of	0503010060	1/2" NUT		05
02	0501058240	WHELL FASTENER WITH STRETCHER		01
02A	0502012416	CARRYING-WHEELS SUPPORT FIXER		01
02B	0511069417	REAR TENSIONER		01
02C	0501058243	STRETCHER INTERMEDIATE RODE CURRENT		01

Item	Code	Description	See page	QT
02Ca	0501058239	CHAIN TENSIONER BEARING		03
02Cb	0502012018	CHAIN TIGHTENER BEARING		03
02Cc	0503012882	BALL BEARING		03
02Cd	0503011945	503050 CLAMPING RING (FOR AXLE)		03
02Ce	0551018245	CHAIN TENSIONER AXLE		01
02Cf	0551018241	SLEEVE 16,30 X 30 X 8		02
02Cg	0551018239	SLEEVE 19 X 13,50 X 45		01
02D	0501058244	STRETCHER FIXED CURRENT		01
02Da	0551018252	CHAIN TIGHTENER AXLE		01
02E	0501058242	MOVIL CHAIN TENSIONER		01
02Ea	0551018244	CHAIN UPPER AXLE		01
02Eb	0551018240	SLEEVE		01
02F	0501013491	5/8" TENSIONER SPRING		01
02G	0503031103	0.9" X 4.1" X 0.1" TRACTION SPRING		01
03	0502011308	WHELL FASTENER		01
04	0503011119	7/8" X 6" BOLT		04
05	0501014251	FLAT WASHER		04
06	0503011254	7/8" HEX SELF ADJUSTING NUT		04
07	0503014887	2050 CHAIN X 80 LINK + REDUCTION		01
08	0503010780	N-2050 AMENDMENT		01
09	0503010951	REDUCTION		01



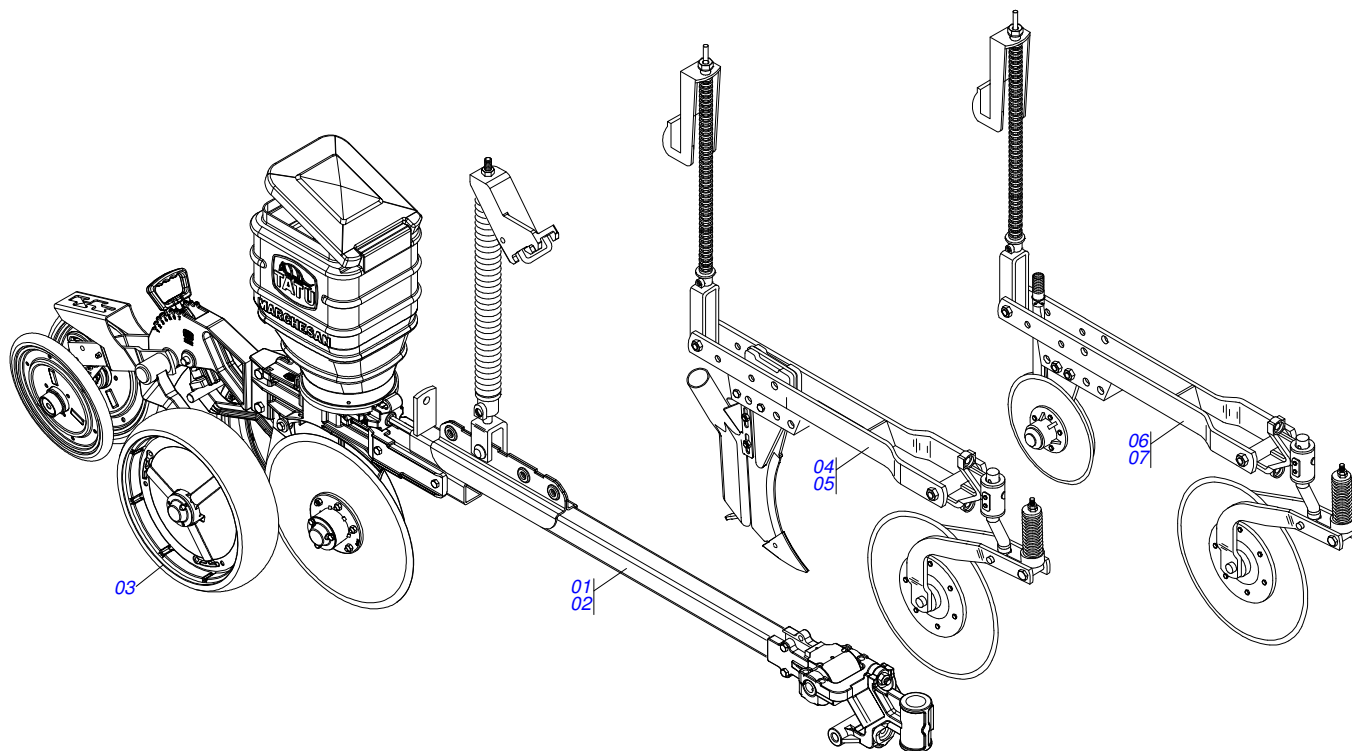
Item	Code	Description	See page	QT
01	0501110721	WHEEL HUB WITH SCREW / NUTS		01
02	0503010660	25590 CONE		02
03	0503010637	25523 CAP		02
04	0503010804	00547-B SEAL		02
05	0521012185	TRANSM AXLE CARRYING-WHEEL		01
06	0502011339	15Z GEAR P 1.25"		01
07	0503012550	5/16" X 3/4" BOLT		06
08	0511015949	LOCK NUT		01
09	0503010329	LOCK WASHER		01
10	0503010330	KM 9 LOCKNUT		01
13	0503010002	1800 GREASE FITTING		01



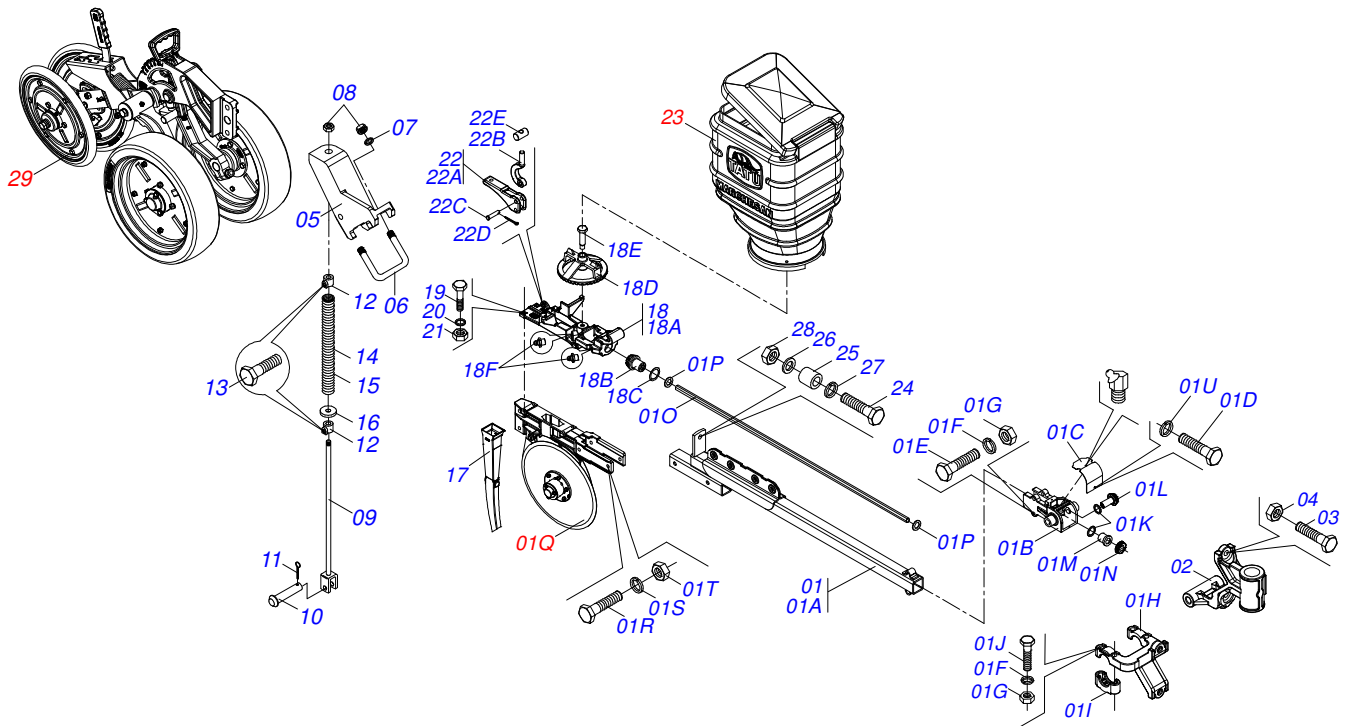
Item	Code	Description	See page
00	0501058202	RH BEAM SUPPORT & METERING	01 00 00 00 00 00
00A	0501058203	LH BEAM SUPPORT & METERING	00 01 00 00 00 00
00B	0501058204	RH BEAM SUPPORT	00 00 01 00 00 00
00C	0501058205	LH BEAM SUPPORT	00 00 00 01 00 00
00D	0501058206	FERTILIZER BEAM SUPPORT	00 00 00 00 01 00
00E	0501058207	LH FERTILIZER BEAM SUPPORT	00 00 00 00 00 01
01	0511069617	RH BEAM SUPPORT	01 00 00 00 00 00
02	0511069618	LH BEAM SUPPORT	00 10 00 00 00 00
03	0511069534	RH BEAM SUPPORT	00 00 01 00 00 00
04	0511069535	LH BEAM SUPPORT	00 00 00 01 00 00
05	0511069619		00 00 00 00 01 00
06	0511069620		00 00 00 00 00 01
07	0501057951	DISTRIBUTOR FERTILIZER	04 04 05 05 06 06
07A	0501110553	FERTILIZER DISTRIBUTOR BODY	04 04 05 05 06 06
07B	0501019851	DISTRIBUTOR FERTILIZER AXLE	04 04 05 05 06 06
07C	0521010309	SLEEVE INTER	04 04 05 05 06 06
07D	0503030275	AGRICULTURAL BEARING	08 08 10 10 12 12
07E	0503031165	LEFT HELICAL CONDUTOR	04 04 05 05 12 12
07F	0511017137	FLAT WASHER	04 04 05 05 12 12
07G	0503030303	SUPPORT WASHER	05 05 06 06 13 13
07H	0501013774	GREASE SEAL	04 04 05 05 12 12
07I	0502011412	18Z CONICAL GEAR	08 08 10 10 12 12
07J	0503010523	1/4" X 2" COTTERPIN	04 04 05 05 06 06
07K	0503011962	GREASE FITTING	04 04 05 05 06 06
07L	0503012826	CREASE FITTING	08 08 10 10 12 12
08	0501010942	3/8" X 1-1/4" BOLT	16 16 20 20 24 24
09	0503010025	3/8" SPRING WASHER	20 20 24 24 30 30
10	0503010026	3/8" NUT	20 20 24 24 28 28
11	0511061759	22Z P12,70 FQ 3/4" GEAR	01 01 01 01 01 01
12	0521014167	CONE LOCK	04 04 04 04 04 04
13	0551017677	3/4" X 1380 SQUARE SHAFT	01 00 00 00 00 00
14	0501018700	3/4" X 58" SQUARE SHAFT	00 01 00 00 00 00

SUPPORT FERTILIZ BOX

Item	Code	Description	See page
15	0501018697	3/4" X 69"SQUARE SHAFT	00 00 01 01 00 00
16	0511014265	3/4" X 86" SQUARE SHAFT	00 00 00 00 01 00
17	0551018198	SQUARE SHAFT	00 00 00 00 00 01
18	0521010691	AXLE FASTENER	02 02 02 02 02 02
19	0503010373	1/4" X 2" BOLT	02 02 02 02 02 02
20	0501010694	FLAT WASHER	08 08 08 08 08 08
21	0503011441	SPRING WASHER	02 02 02 02 02 02
22	0503010144	1/4" NUT	02 02 02 02 02 02
23	0501110392	SILO SUPPORT BEARING	01 01 01 01 01 01
24	0521012485	GEAR BOX BEARING AGRICUTURAL	01 01 01 01 01 01
25	0551018055	22,65 X 60 SLEEVE	00 01 00 01 00 01
26	0503011953	5/16" X 1" BOLT	04 04 04 04 04 04
27	0503010179	SPRING WASHER	04 04 04 04 04 04
28	0503010337	5/16" NUT	04 04 04 04 04 04
29	0503010003	1845 GREASE FITTING	00 01 00 01 00 01
30	0503010849	3/8" X 1-1/2" BOLT	04 04 04 04 04 04
31	0501010984	FLAT WASHER	08 08 08 08 08 08
32	0551019117	FERTILIZER DISTRIBUTOR COVER	04 04 05 05 06 06
33	0503010257	1/8" X 1" COTTERPIN	04 04 05 05 06 06
34	0503060636	COVER BOX RIGHT FERTILIZER	01 00 00 00 00 00
34A	0503031948	SILO RIGHT FERTILIZER	
34B	0503031950	TUBE SILO FERTILIZER	
35	0503060637	COVER BOX LEFT FERTILIZER	00 01 00 00 00 00
35A	0503031949	SILO LEFT FERTILIZER	
35B	0503031950	TUBE SILO FERTILIZER	
36	0503060640	COVER BOX RIGHT FERTILIZER	00 00 01 00 00 00
36A	0503031954	SILO RIGHT FERTILIZER	
36B	0503031956	TUBE SILO FERTILIZER	
37	0503060641	COVER BOX LEFT FERTILIZER	00 00 00 01 00 00
37A	0503031955	SILO LEFT FERTILIZER	
37B	0503031956	TUBE SILO FERTILIZER	
38	0503060642	COVER BOX RIGHT FERTILIZER	00 00 00 00 01 00
38A	0503031957		
38B	0503031959		
39	0503060643	COVER BOX LEFT FERTILIZER	00 00 00 00 00 01
39A	0503031958		
39B	0503031959		
40	0511062099	FERTILIZER BEAM CLAMP	02 02 02 02 02 02
41	0511061886	FERTILIZER BEAM LOCK	02 02 02 02 02 02
42	0503010019	1/2" SPRING WASHER	02 02 02 02 02 02
43	0503010060	1/2" NUT	02 02 02 02 02 02
44	0551019156	GEAR BOX LEVER LOCK	01 01 01 01 01 01
45	0503032624	FERTILIZER BEAN LIP	04 04 05 05 06 06

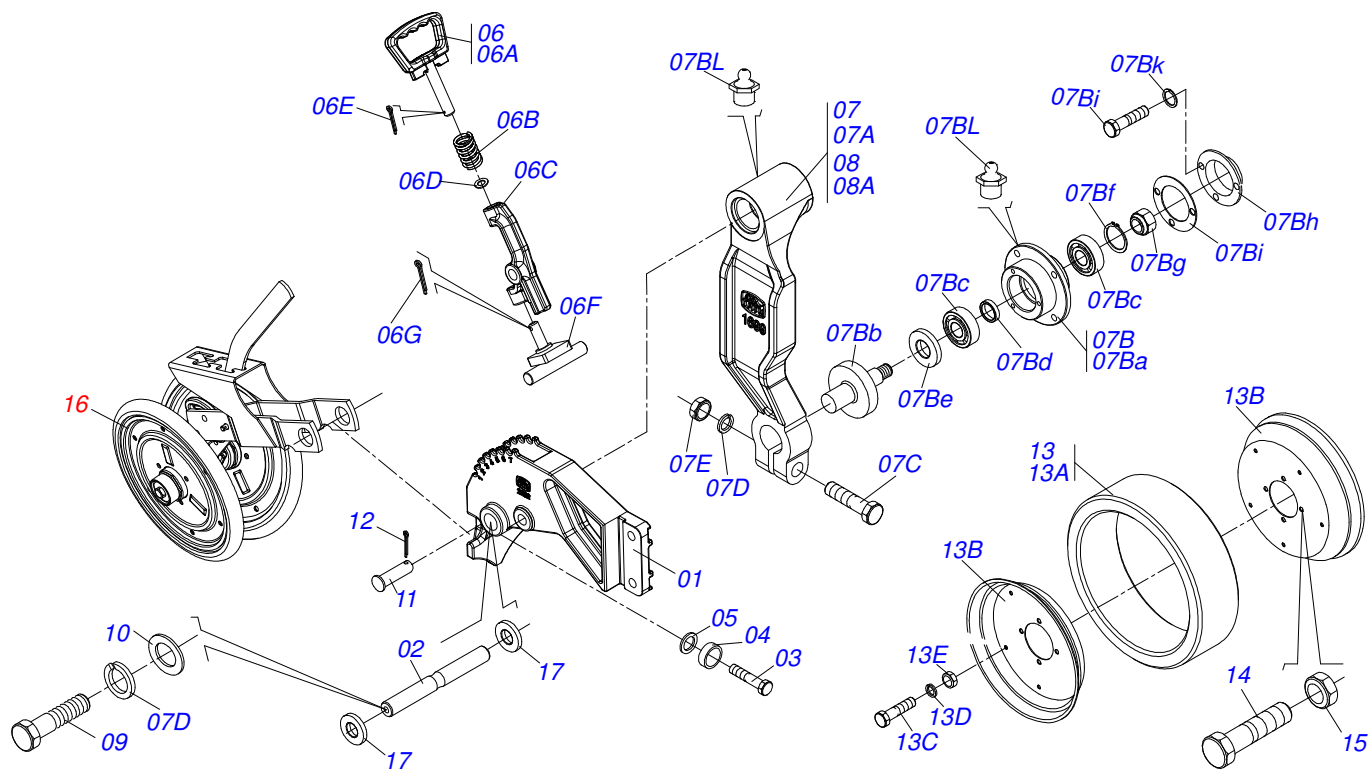


Item	Code	Description	See page
01	0511051243	SHORT SEED ROW FRONT	
02	0511051244	LONG FRONT SEED ROW	
03	0511049343	SEED ROW REAR	
04	0501058191	RH LONG FERT. ROW W/DDD ASSY	
05	0501058190	LH SHORT FERT. ROW W/DDD ASSY	
06	0501058271	SHORT FERTILIZER ROW ASSY	
07	0501058272	SHORT FERTILIZER ROW ASSY	



Item	Code	Description	See page
00	0511056600	FRONT LINE SEED SHORT DDD RIGHT	01 00
00A	0511056601	LONG SEED ROW FRONT DDD LEFT	00 01
01	0511056554	SHORT SEED ROW FRONT	01 00
01.	0511056555	LONG SEED ROW FRONT	00 01
01A	0521062183	SHORT SEED ROW ARM	01 00
01A.	0521062184	LONG SEED ROW ARM	00 01
01B	0502011830	ARTICULACCION SUPPORT	01 01
01C	0521018079	SEEP ROW DRAWBAR COVER	01 01
01D	0503014729	1/4" UNF X 1/2" BOLT	02 02
01E	0503010752	1/2" X 3.1/2" BOLT	02 02
01F	0503011440	SPRING WASHER	06 06
01G	0503010060	1/2" NUT	06 06
01H	0502011561	BEARING SEMI	01 01
01I	0502010426	UPPER BEARING SEMI	02 02
01J	0503010479	1/2" X 3" BOLT	04 04
01K	0501013354	FLAT WASHER	01 01
01L	0502011400	18Z CONICAL GEAR	01 01
01M	0502011296	1/2 HEX AXLE BEARING SLEEVE	01 01
01N	0502011505	18Z CONICAL GEAR	01 01
01O	0521018077	1/2" X 58.6" HEX AXLE	01 01
01O.	0521018078	1/2" X 66.5" HEX AXLE	01 01
01P	0501013352	FLAT WASHER	04 04
01Q	0511056585	RIGHT 15" X 15" DOUBLE DISC SEED	01 00
01Q.	0511056586	15 X 15 SEED DDD LEFT	00 01
01R	0503010706	1/2" X 4.1/2" BOLT	02 02
01S	0503010019	1/2" SPRING WASHER	02 02
01T	0503010060	1/2" NUT	02 02
02	0502011567	FERTILIZER ROW SUPPORT	01 01
03	0511816156	BOLT	02 02
04	0503012412	HEX SELF ADJUSTING NUT 5/8 UNC S	02 02
05	0502012538	SPRING VARON SUPPORT	01 01

Item	Code	Description	See page
06	0521014021	1/2" X 4.5" X 5.4" FASTENER	01 01
07	0511017302	FLAT WASHER	02 02
08	0503011336	1/2" HEX SELF ADJUSTING NUT	02 02
09	0511060376	SEEP SPRING GUIDE	01 01
10	0521010542	COUPLING SHAFT	01 01
11	0503010257	1/8" X 1" COTTERPIN	01 01
12	0502040534	SPRING GUIDE BUSHING LOCK	01 01
13	0503010834	1/2 X 1 BOLT	02 02
14	0503031340	1.7"X 19" X 0.3" COMPRESSION SPRING	01 01
15	0503031339	1" X 19" X 0.1" COMPRESSION SPRING	01 01
16	0501013753	FLAT WASHER	01 01
17	0503033672	NOZZLE WITHOUT TITANIUM	01 01
18	0511051693	BASE FIXING SYSTEM	01 01
18A	0502012704	BASE FIXING SYSTEM	01 01
18B	0502011411	10Z CONICAL GEAR	01 01
18C	0501013354	FLAT WASHER	01 01
18D	0502011418	40Z CONICAL GEAR	01 01
18E	0511018700	AXLE	01 01
18F	0503010002	1800 GREASE FITTING	02 02
19	0503015920	3/8" UNC X 1.3/4" BOLT	04 04
20	0503010025	3/8 SPRING WASHER	04 04
21	0503010026	3/8" NUT	04 04
22	0511052024	FAST CLOSING SET	01 01
22A	0502012744	SPEED LOCK LEVER ASSY	01 01
22B	0571011803	PRISONER CLOSE FAST	01 01
22C	0571014024	FAST BOLT GUIDE AXLE	02 02
22D	0503010257	1/8" X 1" COTTERPIN	02 02
22E	0571011804	FAST BOLT ADJUSTMENT	01 01
23	0511057017	SEED SYSTEM ASSY	01 01
24	0503010740	1/2" X 2" BOLT	02 02
25	0521010505	13,50 X 19,00 X 21,50 SLEEVE	02 02
26	0511017302	FLAT WASHER	02 02
27	0503011440	SPRING WASHER	02 02
28	0503010060	1/2" NUT	02 02
29	0521046122	DEPTH SYSTEM / COMPACTOR ASSY	07 07

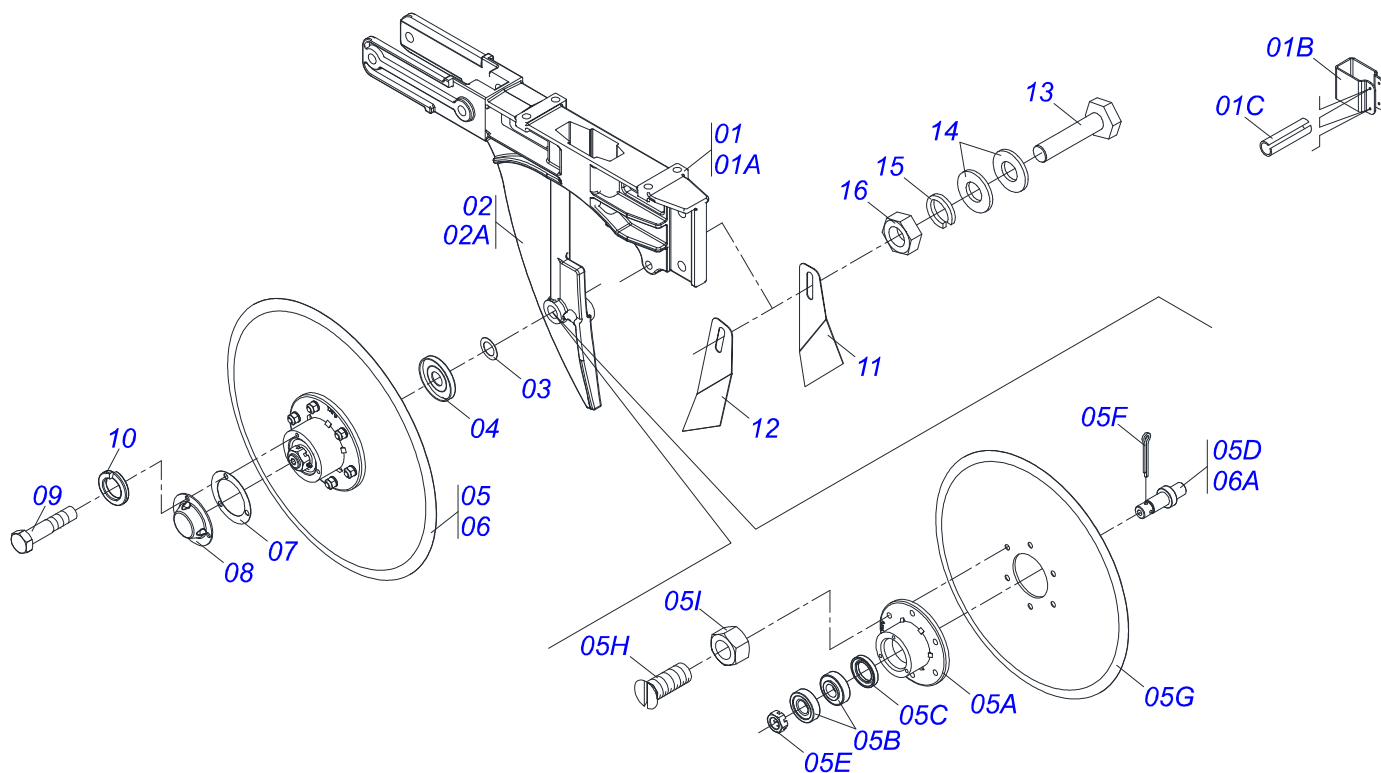


Item	Code	Description	See page
00	0511049343	SEED ROW REAR	01
01	0502012282	DEPTH CONTROL SUPPORT	01
02	0531010765	DEPTH WHEEL AXLE	01
03	0503010256	3/8" X 3/4" BOLT	01
04	0521010480	1" X 1.2" X 0.4" ARTICULAT SLEEVE	02
05	0511015346	FLAT WASHER	04
06	0511069633	PRESS WHEELS COMPACTOR	01
06A	0502011689	1/8" DEPTH CONTROL LEVER	01
06B	0503030975	0.9" X 1.5" X 0.1" SPRING	01
06C	0502011688	SEED SIST CONTROL DEPTH LEVER	01
06D	0511015976	FLAT WASHER	01
06E	0503010257	1/8" X 1" COTTERPIN	01
06F	0511060699	DEPTH WHEEL STOP	01
06G	0503010071	3/16" X 1" COTTERPIN	01
07	0501058576	RIGHT WHEEL ARM	01
07A	0502012553	DEPTH WHEEL RIGHT ARM	01
07B	0501052627	ASSY DEPTH WHEEL BOX	01
07Ba	0502011907	DEPTH CONTROL WHEEL HUB	02
07Bb	0511060927	DEPTH CONTROL AXLE WITH DUST CLOAK	01
07Bc	0503010269	6204 BALL BEARING	02
07Bd	0501013636	SPACING SLEEVE	02
07Be	0503010689	SEAL 00763-BR	01
07Bf	0503011105	SEAL RING	01
07Bg	0503010878	5/8" SELF ALIGNING NUT	02
07Bh	0521019178	COVER DEPTH	02
07Bi	0503030757	2.9" X 2" X 0.02" JOINT	02
07Bj	0503013758	1/4" X 1-1/2" BOLT	06
07Bk	0503011441	SPRING WASHER	06
07Bl	0503010691	1/4" GREASE FITTING	02
07C	0503010740	1/2" X 2" BOLT	01
07D	0503011440	SPRING WASHER	01



PST4
REAR SEED ROW

Item	Code	Description	See page
07E	0503010060	1/2" NUT	01
07F	0503015021	6871-GA SEAL RING	02
08	0501058577	RIGHT ARM DEPTH CONTROL WHEEL	01
08A	0502012552	LH ARM DEPTH CONTROL WHEEL	01
09	0503010311	1/2" X 1-1/4" BOLT	02
10	0511017302	FLAT WASHER	02
11	0521019093	0.6" X 2.7" PIVOT SHAFT	01
12	0503010257	1/8" X 1" COTTERPIN	01
13	0501052538	DEPTH BAND WITH ARMS	02
13A	0503030551	DEPTH CONTROL WHEEL RUBBER BAND	01
13B	0521010832	RIM FLANGE	02
13C	0503010298	1/4" X 1/2" BOLT	05
13D	0503010143	SPRING WASHER	05
13E	0503010144	1/4" NUT	05
14	0503010358	5/16" X 5/8" BOLT	08
15	0503013816	5/16" LOCKNUT	08
16	0501052908	COMPACTOR WHEEL WITH BEARING	02
17	0503015021	6871-GA SEAL RING	02



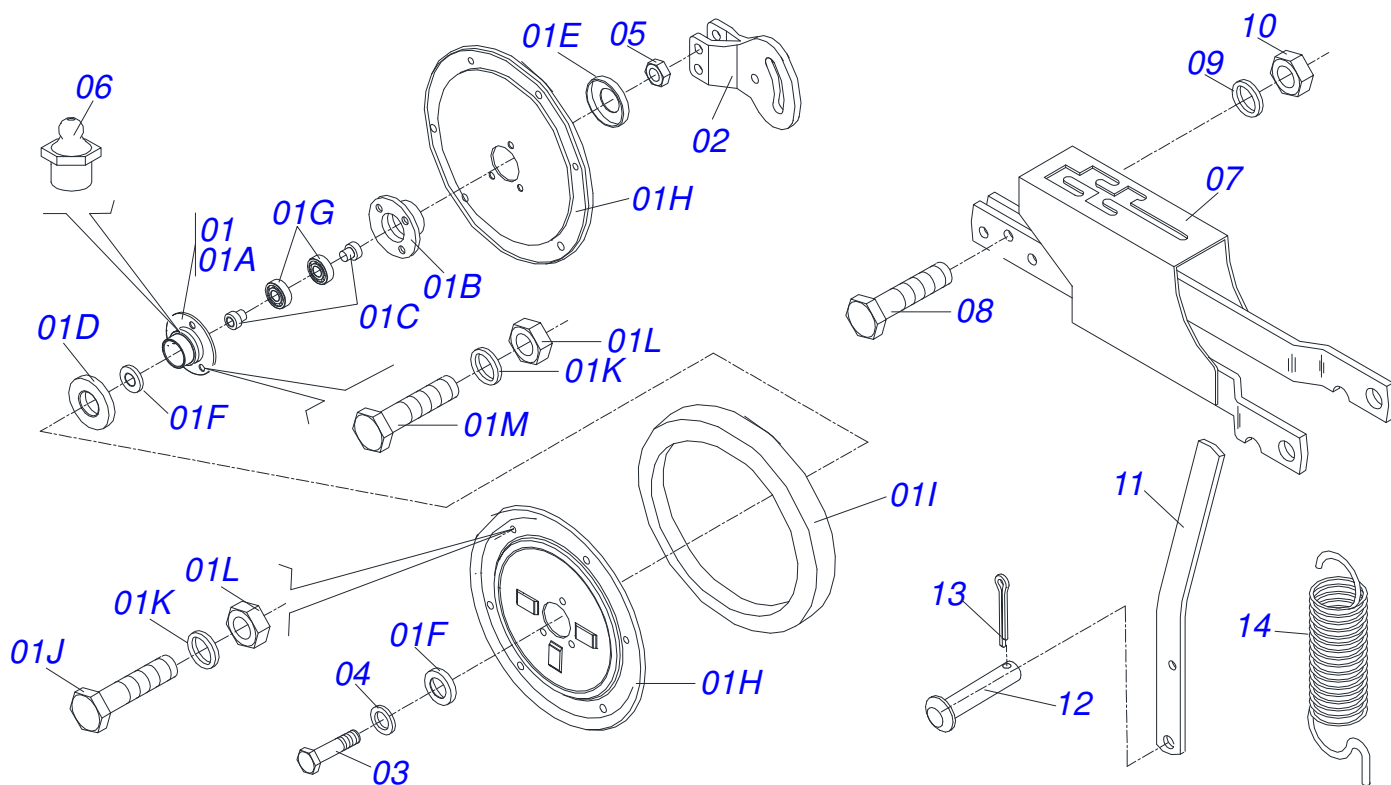
Item	Code	Description	See page	DIR	ESQ
00	0501059631	DDD SEED 15" X 15" RIGHT		01	00
00A	0501059632	DDD SEED 15X15 LEFT		00	01
01	0511052301	SUPPORT DDD 15 RIGHT		01	00
01A	0561015591	15"X15" RIGHT DOUBLE DISC SUPPORT		01	00
01B	0571012491	SOCKET SEED GUIDE		01	01
01C	0503010838	0.1" X 0.8" SPRING PIN		02	02
02	0511052302	LH SUPPORT DDD GUIDE		00	01
02A	0561015592	15" X 15" RIGHT DOUBLE DISC SUPPORT		00	01
03	0511015098	FLAT WASHER		06	06
04	0511011927	DUST CLOAK		02	02
05	0501054167	BOX DDD ASSY DPL 15 RIGHT		01	00
05A	0502011930	DOUBLE DISC COULTER BOX		02	02
05B	0503010598	30204 BALL BEARING		04	04
05C	0503011112	SEAL 02376-BRG		02	02
05D	0521019154	RIGHT DOUB DISC HUB		01	00
05E	0503030282	3/4" CASTLE NUT		02	02
05F	0503010257	1/8" X 1" COTTERPIN		02	02
05G	0603022042	13" X 0.12" PLAIN COULTER BLADE		02	02
05H	0503010546	5/16" X 7/8" BOLT		12	12
05I	0503010337	5/16" NUT		12	12
06	0501054168	BOX DDD ASSY DPL 15 LEFT		00	01
06A	0521019148	LEFT DOUBLE DISC HUB		00	01
07	0503030757	2.9" X 2" X 0.02" JOINT		02	02
08	0521019178	COVER DEPTH		02	02
09	0503014729	1/4" UNF X 1/2" BOLT		06	06
10	0503011441	SPRING WASHER		06	06
11	0561010264	RH DOUBLE DISC SCRAPER - STARTING 04/18		01	01
12	0561010265	LH DOUBLE DISC SCRAPER - STARTING 04/18		01	01
13	0503010751	C3/8" X 1.1/4" HEX BOLT G.5		01	01
14	0501010984	FLAT WASHER		02	02
15	0503011443	SPRING WASHER		01	01



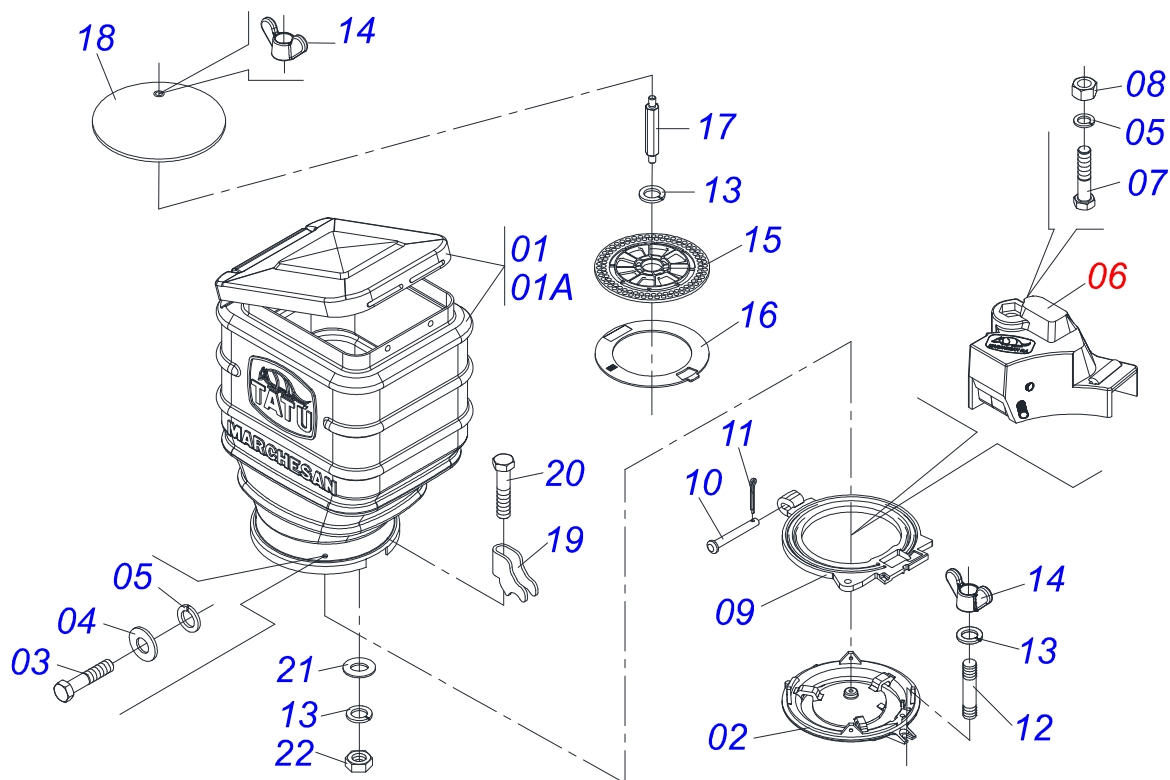
15X15 SEED UNAL DOUB-DISC ASSY

0909093298

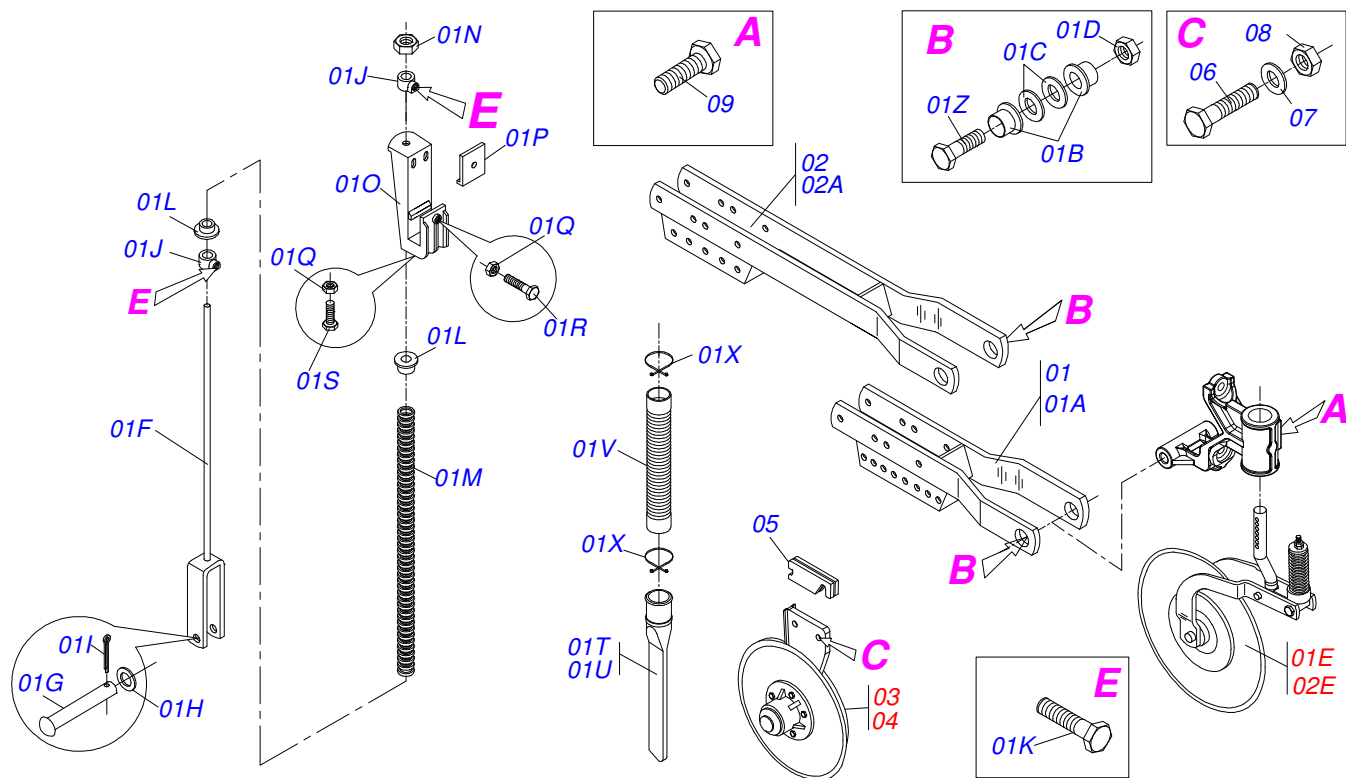
Item	Code	Description	See page	DIR	ESQ
16	0503010026	3/8" NUT		01	01



Item	Code	Description	See page
01	0501052908	COMPACTOR WHEEL WITH BEARING	01
01A	0502011919	PRESS WHEEL HUB	01
01B	0502011877	PRESS WHEEL HUB	01
01C	0521018922	PRESS WHEEL PASSANG AXLE	02
01D	0521018921	DUST CLOAK	01
01E	0521016316	DUST CLOAK	01
01F	0503012734	SEAL 01556 BR	02
01G	0503010269	6204 BALL BEARING	02
01H	0521018928	PRESS WHEEL RIM	02
01I	0503031421	DEPTH CONTROL WHEEL RUBBER BAND	01
01J	0503010295	5/16" X 5/8" BOLT	06
01K	0503010179	SPRING WASHER	06
01L	0503010337	5/16" NUT	06
01M	0503010371	5/16" X 1" BOLT	03
02	0502012116	PRESS WHEEL ADJUSTER	01
03	0503010706	1/2" X 4.1/2" BOLT	02
04	0521014508	FLAT WASHER	12
05	0503011336	1/2" HEX SELF ADJUSTING NUT	02
06	0503010691	1/4" GREASE FITTING	02
07	0511069633	PRESS WHEELS COMPACTOR	01
08	0503010849	3/8" X 1-1/2" BOLT	02
09	0503011443	SPRING WASHER	02
10	0503010026	3/8" NUT	02
11	0541016906	PRESS WHEELS REGULATOR BODY	01
12	0521010539	0.3" X 1.2" COUPLING SHAFT	01
13	0503010140	1/8" X 3/4" COTTERPIN	01
14	0503030805	1.6" X 6" X 0.2" TRACTION SPRING	01



Item	Code	Description	See page	QT
01	0501052234	SEED SISTEM ASSY	20	01
01A	0503031508	COVER GREEN BEAM SEED YELLOW		01
02	0502020324	SEED BOX SUPPORT		01
03	0503010295	5/16" X 5/8" BOLT		04
04	0501010694	FLAT WASHER		05
05	0503010179	SPRING WASHER		04
06	0501051094	SEED DISTRIB ASSY WITH DOUB PULLEY		01
07	0503010675	5/16" X 2.1/4" BOLT		01
08	0503010337	5/16" NUT		01
09	0502010408	SEED DISC LOWER TRAIL		01
10	0521010536	0.3" X 3.8" COUPLING SHAFT		01
11	0503010140	1/8" X 3/4" COTTERPIN		01
12	0503030083	3/8" X 3/8" X 1.6" STUD		01
13	0503010025	3/8 SPRING WASHER		03
14	0503010209	3/8" UNC BUTTERFLY NUT		02
15	0503016217	SOYBEAN SEED DISC 34 OBLONG		01
16	0503016219	RING TO SOYBEANS		01
17	0571018536	HEX PRISONER		01
18	0503034131	DEFLECTOR		01
19	0531018622	BOLT FAST SUPPORT UPPER		01
20	0501010096	3/8" X 2" BOLT		01
21	0501010984	FLAT WASHER		01
22	0503010026	3/8" NUT		01



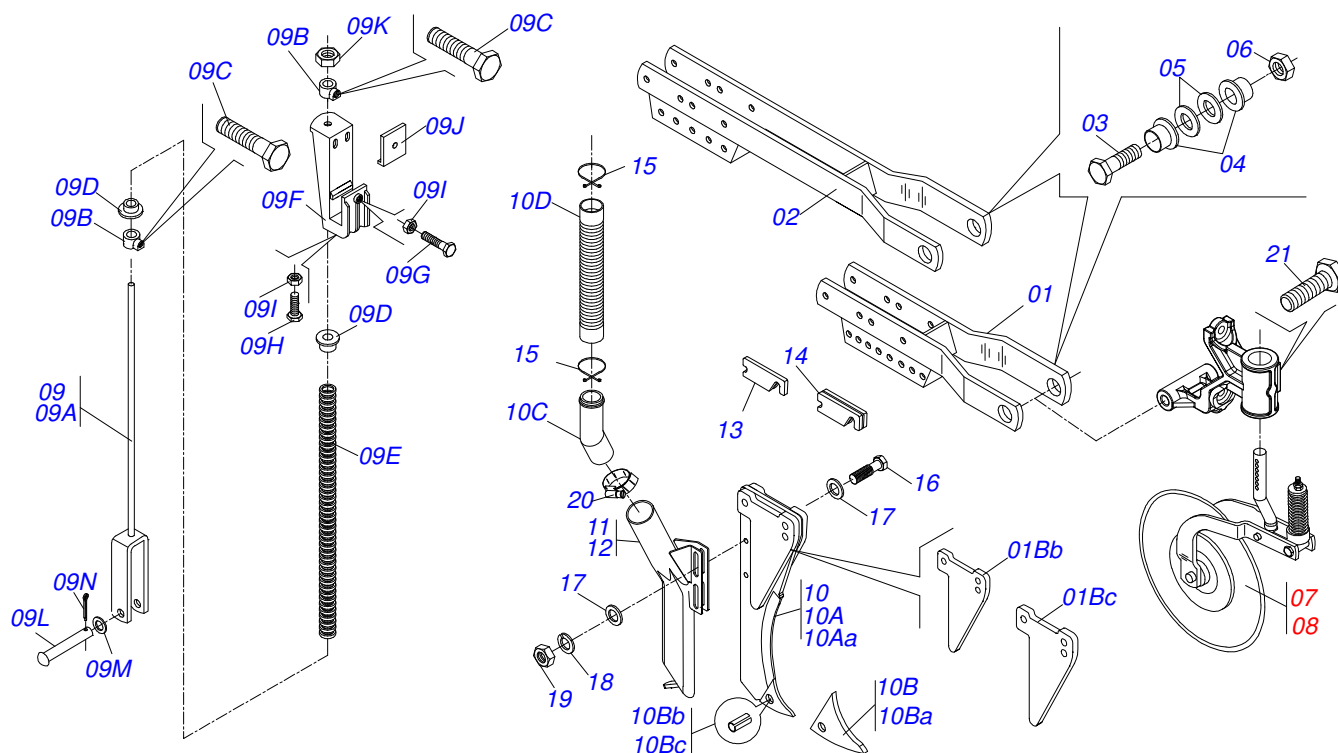
Item	Code	Description	See page	DIR	ESQ
00	0501058191	RH LONG FERT. ROW W/DDD ASSY		01	
00A	0501058190	LH SHORT FERT. ROW W/DDD ASSY		01	
01	0501058185	LH FERTILIZER W/DDD ROW ARM		01	
01A	0521061121	SHORT FERTILIZER ROW ARM		01	01
01B	0521017831	SUPPORT SLEEVE SPACER		02	02
01C	0511017232	FLAT WASHER		02	02
01D	0503011255	3/4" LOCK NUT		01	01
01E	0511044549	18" COULTER BLADE ASSY FOR SHORT ROW		01	01
01F	0511069645	FERTILIZER SPRING ROD		01	01
01G	0561014471	COUPLING SHAFT		01	01
01H	0511017302	FLAT WASHER		01	01
01I	0503010257	1/8" X 1" COTTERPIN		01	01
01J	0502012196	SPRING GUIDE BEARING LOCK		02	02
01K	0501018535	1/2 X 1 BOLT		02	02
01L	0502012184	FERTILIZER SPRING GUIDE		02	02
01M	0503031910	1.7" X 22.8" X 0.3" SPRING		01	01
01N	0503010014	3/4" NUT		01	01
01O	0502012510	SPRING ROD SUPPORT		01	01
01P	0502010891	SPRING CHOCK SUPPORT VARON		01	01
01Q	0503010060	1/2" NUT		02	02
01R	0503030679	1/2" X 1-1/4" BOLT		01	01
01S	0503030678	1/2"X1-1/2"BOLT		01	01
01T	0503030391	RIGHT FERTILIZER SOCKET		01	01
01U	0503030392	LEFT FERTILIZER SOCKET		01	01
01V	0503031145	2" X 2" X 20" HOSE		01	01
01X	0503031076	2" HOSE CLAMP		02	02
01Z	0501010066	3/4" X 9" BOLT		01	01
02	0501058186	RH FERTILIZER W/DDD LONG ROW ARM		01	
02A	0521061153	LONG FERTILIZER ROW ARM		01	
02E	0511044573	18" COULTER BLADE ASSY FOR LONG ROW		01	
02E.	0511044549	18" COULTER BLADE ASSY FOR SHORT ROW		01	



PST4
FERTILIZER ROW ASSY

Page 21
0909093323

Item	Code	Description	See page	DIR	ESQ
03	0501052977	DDD LEFT FERTILIZER 15 X 15 ASSY		01	
04	0501052976	15 X 15 RIGHT FERT UNAL DOUB-DISC ASSY		01	
05	0511018662	SPACING PLATE		04	04
06	0503010547	1/2" X 4" BOLT		02	02
07	0503011440	SPRING WASHER		02	02
08	0503010060	1/2" NUT		02	02
09	0511016156	5/8" X 1.1/2" BOLT		02	02



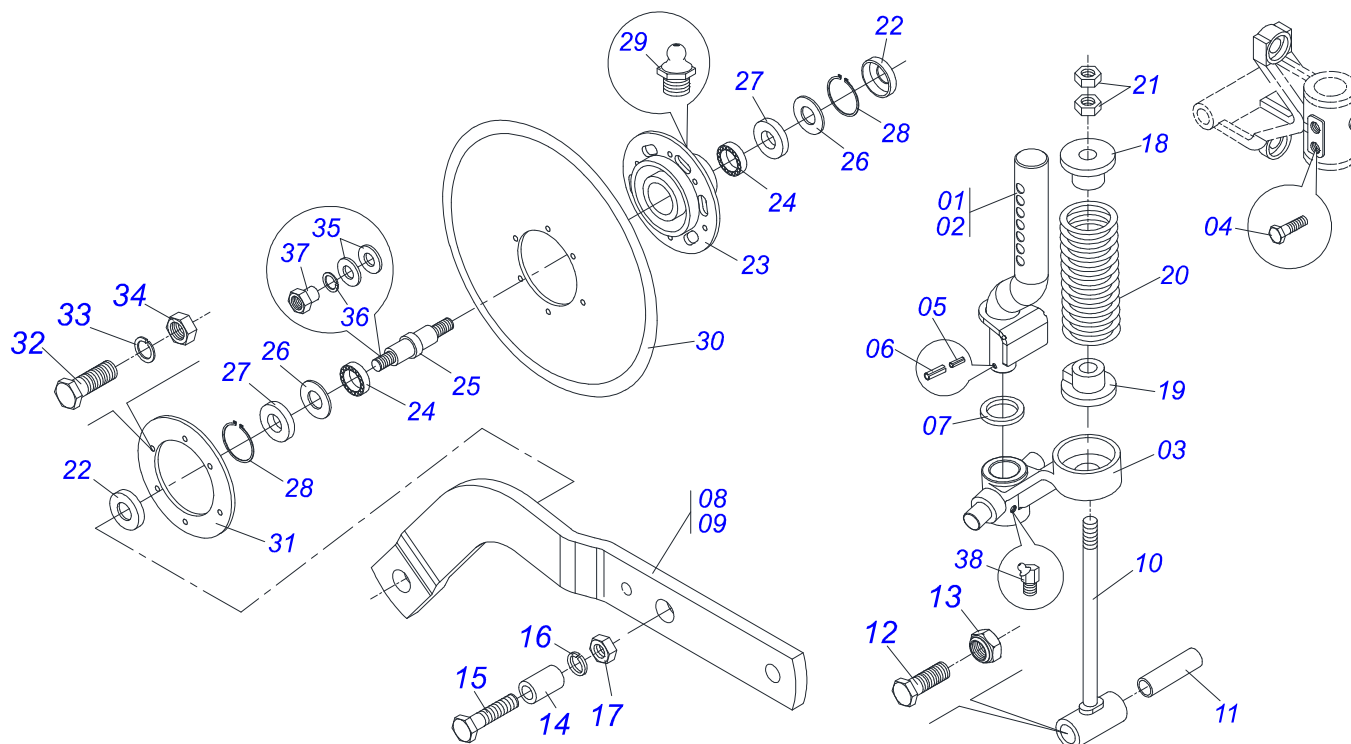
Item	Code	Description	See page	CT	LG
00	0501058271	SHORT FERTILIZER ROW ASSY		01	
00A	0501058272	SHORT FERTILIZER ROW ASSY		01	
01	0521061121	SHORT FERTILIZER ROW ARM		01	
02	0521061153	LONG FERTILIZER ROW ARM		01	
03	0501010066	3/4" X 9" BOLT		01	01
04	0521017831	SUPPORT SLEEVE SPACER		02	
05	0511017232	FLAT WASHER		02	
06	0503011255	3/4" LOCK NUT		01	01
07	0511044549	18" COULTER BLADE ASSY FOR SHORT ROW		01	
08	0511044573	18" COULTER BLADE ASSY FOR LONG ROW		01	
09	0501058423	FERTILIZER ROD SPRING ROW		01	01
09A	0511069645	FERTILIZER SPRING ROD		01	01
09B	0502040534	SPRING GUIDE BUSHING LOCK		02	02
09C	0503010834	1/2 X 1 BOLT		02	02
09D	0502012184	FERTILIZER SPRING GUIDE		02	02
09E	0503031910	1.7" X 22.8" X 0.3" SPRING		01	01
09F	0502012510	SPRING ROD SUPPORT		01	01
09G	0503030679	1/2" X 1-1/4" BOLT		01	01
09H	0503030678	1/2"X1-1/2"BOLT		01	01
09I	0503010060	1/2" NUT		02	02
09J	0502010891	SPRING CHOCK SUPPORT VARON		01	01
09K	0503010014	3/4" NUT		01	01
09L	0561014471	COUPLING SHAFT		01	01
09M	0511017302	FLAT WASHER		01	01
09N	0503010257	1/8" X 1" COTTERPIN		01	01
10	0501110231	SCARIFIER HEAD WITH SPIKE 0061		01	01
10A	0511061768	FERTILIZER SCARIFIER SPINDLE		01	01
10Aa	0521013577	TURNBUCLE BODY		01	01
10Ab	0521017616	SMALLER SPACER		01	01
10Ac	0531016252	LARGER SPACER		01	01
10B	0501056132	POINT SUBSOILER		01	01



FERTILIZER ROW SCARIFIER SPINDLE

0909093324

Item	Code	Description	See page	CT	LG
10Ba	0502070061	POINT SUBSOILER		01	01
10Bb	0503010585	0,24" X 1.18" SPRING PIN		01	01
10Bc	0503011373	0.4" X 1.1" SPRING PIN		01	01
10C	0503031050	CURVED CONDUCTOR		01	01
10D	0503031145	2" X 2" X 20" HOSE		01	01
11	0511061769	FERTILIZER CONDUCTOR RIGHT		01	
12	0511061770	FERTILIZER CONDUCTOR LEFT			01
13	0511017969	0.1" SPACING PLATE		01	01
14	0511018662	SPACING PLATE		01	01
15	0503031076	2" HOSE CLAMP		01	01
16	0503010751	C3/8" X 1.1/4" HEX BOLT G.5		01	01
17	0503010025	3/8 SPRING WASHER		01	01
18	0501010984	FLAT WASHER		01	01
19	0503010026	3/8" NUT		01	01
20	0503010246	CLAMP		01	01
21	0511016156	5/8" X 1.1/2" BOLT		01	01
22	0501018535	1/2 X 1 BOLT		02	02

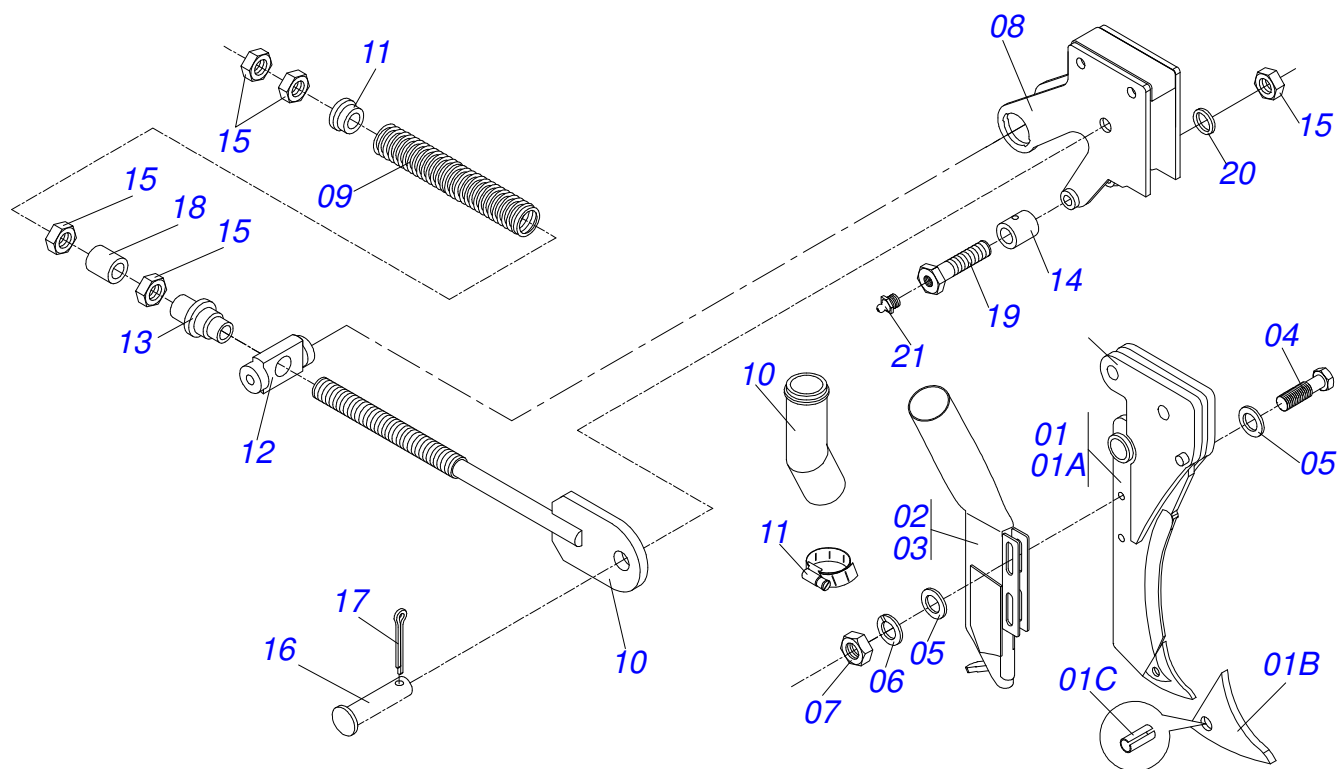


Item	Code	Description	See page	CT LG
00	0511044549	18" COULTER BLADE ASSY FOR SHORT ROW		01 00
00A	0511044573	18" COULTER BLADE ASSY FOR LONG ROW		00 01
01	0511067045	SHORT WHIT BEATER BLADE DISC FIX AXLE		01 00
02	0511067044	LONG WHIT BEATER BLADE DISC FIX AXLE		00 01
03	0502012368	BLADE DISC SUPPORT AXLE		01 01
04	0511016156	5/8" X 1.1/2" BOLT		02 02
05	0503010756	0.2" X 2.4" SPRING PIN		01 01
06	0503010361	SPRING PIN		01 01
07	0541018684	FLAT WASHER		01 01
08	0521014137	RIGHT ARM OF THE BLADE DISC		01 01
09	0521014138	SUPPORT ARM LEFT BALDE DISC		01 01
10	0501067323	SPRING REGULATOR		01 01
11	0521010452	SLEEVE		01 01
12	0503013185	3/4" X 5-1/2" BOLT		01 01
13	0503011255	3/4" LOCK NUT		01 01
14	0571010188	13,50 X 19 X 86,30/86 SLEEVE		01 01
15	0503011411	1/2" X 5-1/2" BOLT		01 01
16	0503011440	SPRING WASHER		01 01
17	0503010060	1/2" NUT		01 01
18	0502020393	SPRING UPPER SUPPORT		01 01
19	0502020394	SPRING SUPPORT		01 01
20	0503031341	2.7 X 8 X 0.5 COMPRESSION SPRING		01 01
21	0503010014	3/4" NUT		02 02
22	0521015376	DUST CLOAK		02 02
23	0502011562	DC PST ACT/ULTR BOX		01 01
24	0503010276	6206 BALL BEARING		02 02
25	0521013610	BLADE DISC HUB AXLE		01 01
26	0503030832	FLAT WASHER		02 02
27	0503012417	SEAL		02 02
28	0503011800	SEAL RING		02 02
29	0503010691	1/4" GREASE FITTING		01 01

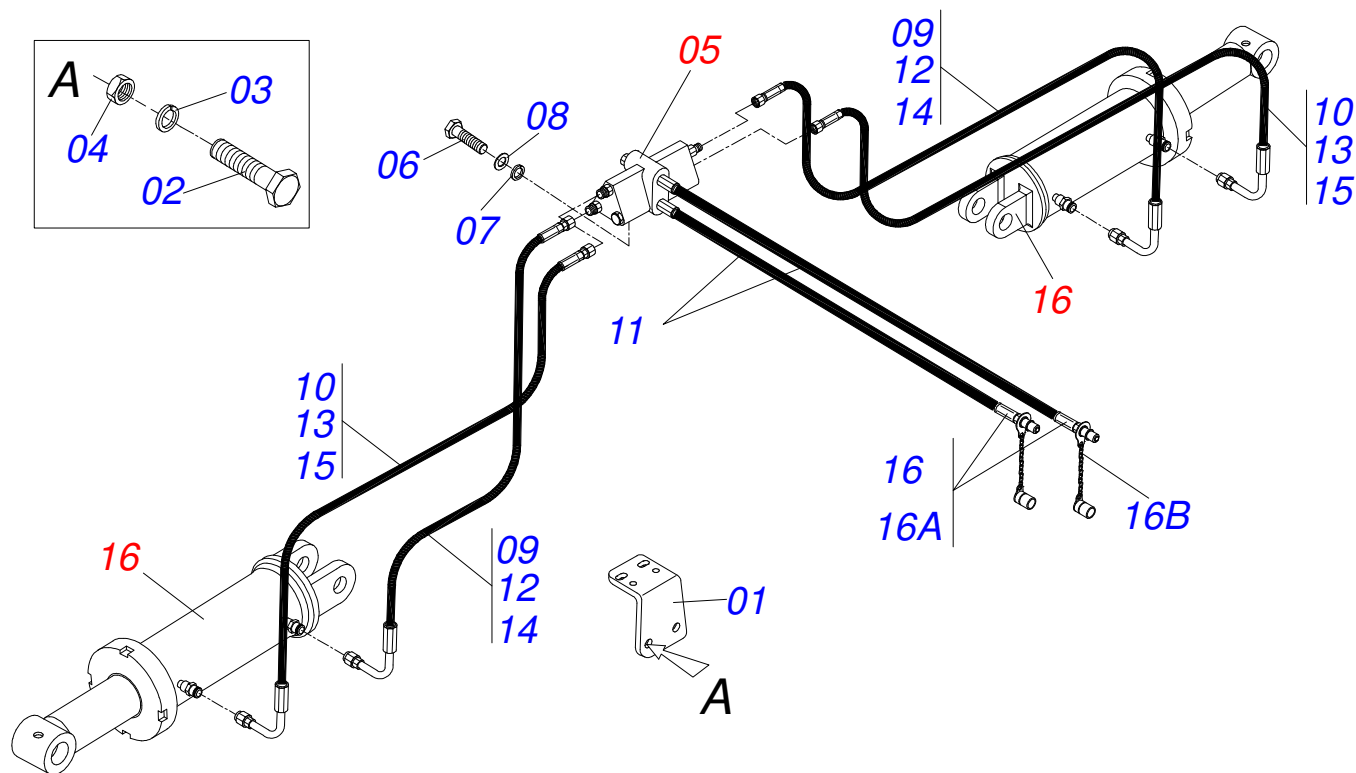


PST4
BLADE DISC ASSY 18"

Item	Code	Description	See page	CT LG
30	0603026013	PLAIN COULTER BLADE		01 01
31	0502020641	BLADE DISC FLANGE		01 01
32	0503010371	5/16" X 1" BOLT		06 06
33	0503011444	SPRING WASHER		06 06
34	0503010337	5/16" NUT		06 06
35	0511015346	FLAT WASHER		02 02
36	0503011442	3/4" SPRING WASHER		02 02
37	0521013510	3/4" NUT		02 02
38	0503010003	1845 GREASE FITTING		01 01

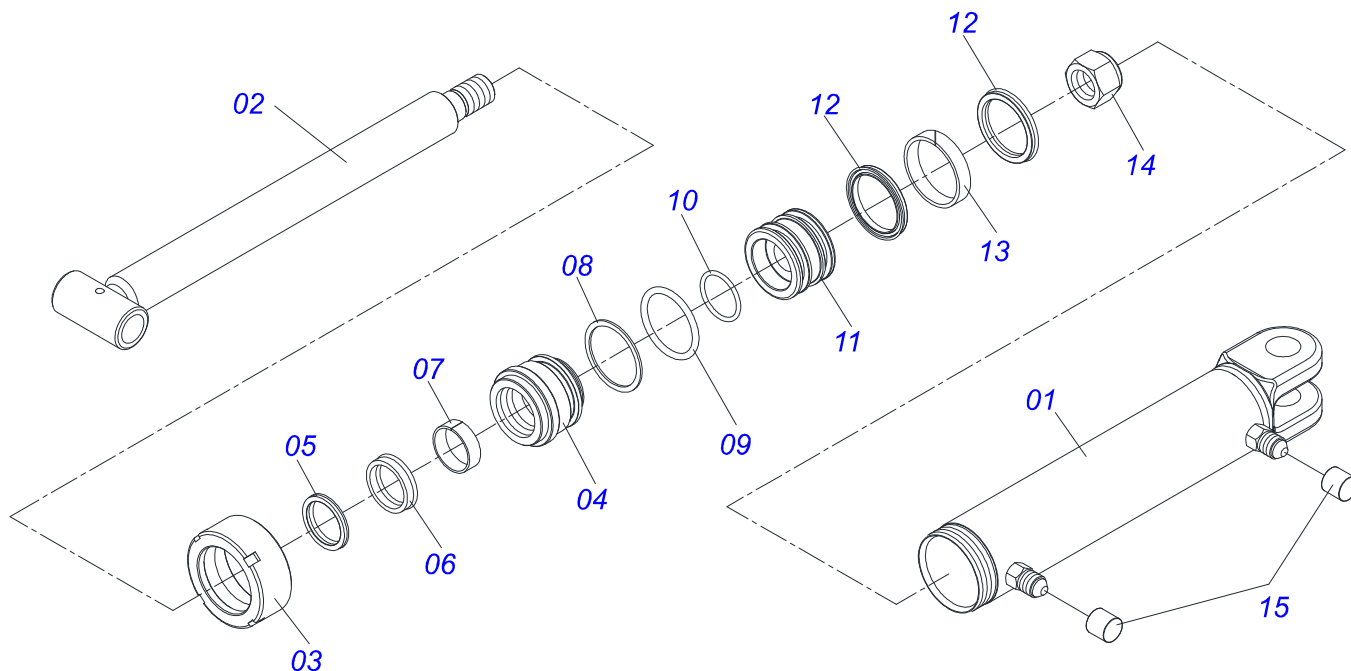


Item	Code	Description	See page	DIR ESQ
00	0511046337	RH FERTILIZER SCARIFIER SPINDLE		01 00
00A	0511046339	FERTILIZER SCARIFIER SPINDLE		00 01
01	0501110558	SCARIFIER SPINDLE W/POINT ASSY		01 01
01A	0511069240	ROD SCARIFIER SPINDLE		01 01
01B	0502070061	POINT SUBSOILER		01 01
01C	0503011373	0.4" X 1.1" SPRING PIN		01 01
02	0511069242	RIGHT ADJUSTMENT CONDUCTOR FERTILIZER		01 00
03	0511069243	LEFT ADJUSTMENT CONDUCTOR FERTILIZER		00 01
04	0503010751	C3/8" X 1.1/4" HEX BOLT G.5		02 02
05	0501010984	FLAT WASHER		04 04
06	0503010025	3/8 SPRING WASHER		02 02
07	0503010026	3/8" NUT		02 02
08	0511069239	SPIDLE DESASSEMBLE		01 01
09	0503031593	SPRING		01 01
10	0511069241	SPRING GUIDE ROD		01 01
11	0521017831	SUPPORT SLEEVE SPACER		01 01
12	0502012496	SPRING ROD ROCKER ARM		01 01
13	0502012500	SPRING ROD LARGER BUSHING		01 01
14	0551017716	SLEEVE 16,5 X 28,58 X 40,0/39,9		01 01
15	0503010013	5/8" NUT		05 05
16	0551017724	PIN 12,7 X 38 PST3		01 01
17	0503010362	1/8" X 1.1/4" COTTERPIN		01 01
18	0551018814	SLEEVE 31,75 X 17 X 40		01 01
19	0551017811	5/8" UNC X 3.1/2" BOLT		01 01
20	0503010027	SPRING WASHER		01 01
21	0503010002	1800 GREASE FITTING		01 01

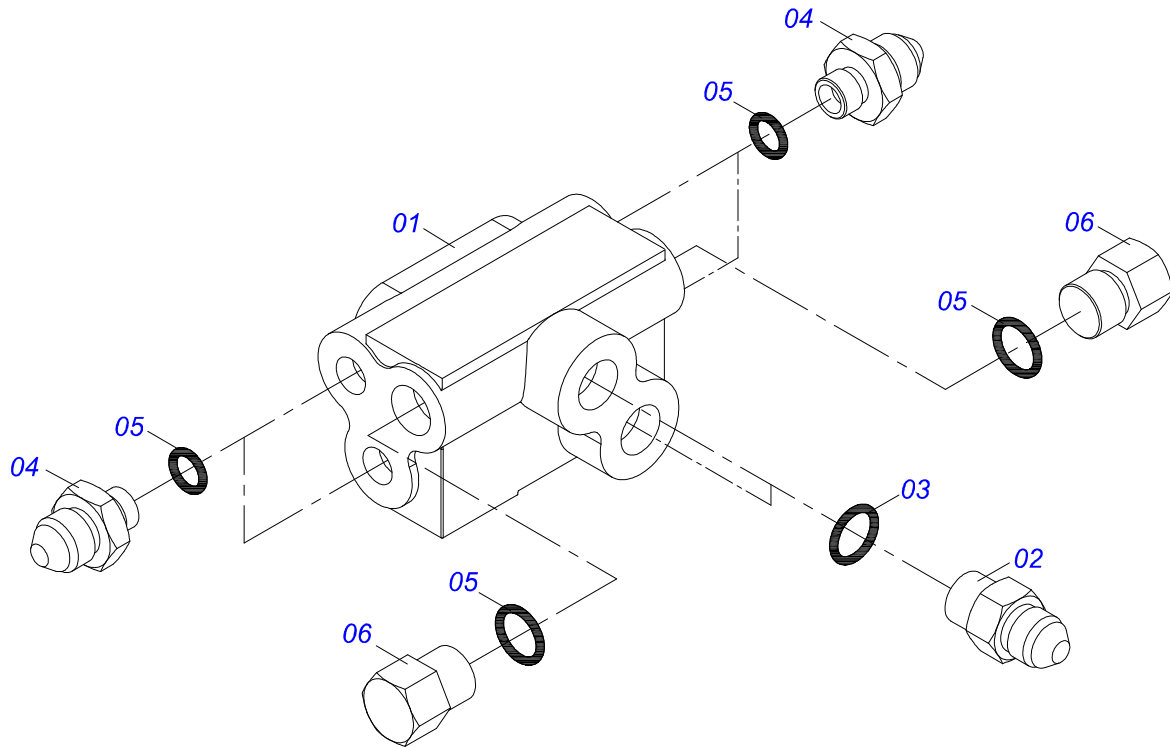


Item	Code	Description	See page	07 09 11
01	0511011311	VALV. SUPPORT		01 01 01
02	0503010232	5/8" X 1.3/4" BOLT		02 02 02
03	0503010027	SPRING WASHER		02 02 02
04	0503010013	5/8" NUT		02 02 02
05	0501054649	SEQUENTIAL VALVE ASSY	27	01 01 01
06	0503010365	NUT		02 02 02
07	0503010179	SPRING WASHER		02 02 02
08	0501010694	FLAT WASHER		02 02 02
09	0501080469	3/8" X 98.42" TR-TR HOSE ASSY		02 00 00
10	0501080401	3/8" X 106" TR-TC HOSE ASSY		02 00 00
11	0501080422	3/8" X 157" TC-TM HOSE ASSY		02 02 02
12	0501080526	3/8" X 114" TR-TC HOSE ASSY		00 02 00
13	0501080447	3/8" X 122" TR-TC HOSE ASSY		00 02 00
14	0501080392	3/8" X 3300 TR-TC HOSE		00 00 02
15	0501080720	3/8" X 137" TR-TC HOSE ASSY		00 00 02
16	0501053834	MALE QUICK COUPLING AGRICULTURAL WITH COVER - 1/2 NPT		02 02 02
16A	0503011627	QUICK CONNECTION (MALE) AGR 1/2 NPT		02 02 02
16B	0503011882	QUICK CONNECTION COVER		02 02 02

1.5" X 2.5" X 19" X 9" HYDRAULIC CYLINDER

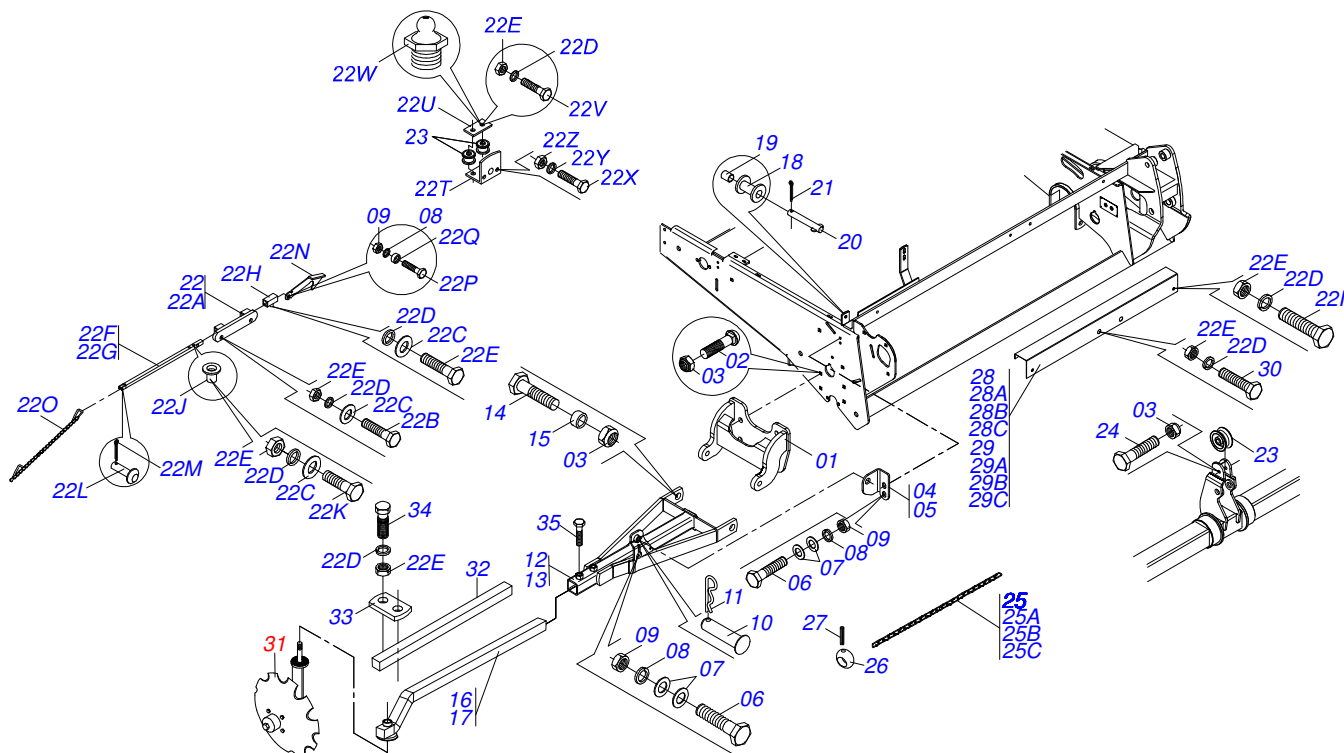


Item	Code	Description	See page	QT
01	0511062810	2.5" X 15"CYLINDER CASE		01
02	0501065662	HYDRAULIC CYLINDER TURNBUCKLE		01
03	0502010471	MOBILE COVER		01
04	0502010780	RING SUPPORT		01
05	0503010163	D-1500 SCRAPER RING		01
06	0503010989	1870-1500-375-B GASKET		01
07	0503010970	W1-1650-500 PK O'RING G.E		01
08	0503011058	8-330 BACK-UP RING		01
09	0503010161	2-330 N 3006 9B O'RING		01
10	0503010285	2-222 N 3006-9B O'RING		01
11	0502010783	1.5" X 2.5" PISTON		01
12	0503010160	2500 2000 GASKET		02
13	0503010973	W2-2500-500 PK O'RING G.E		01
14	0503010063	1" SELF-ALIGNING NUT		01
15	0503030384	CON N-001 PLUG		02
16	0501032666	HYDRAULIC CYLINDER REPAIR KIT		01



Item	Code	Description	See page	QT
01	0503060132	VDFS-002 T SEQUENCEL VALVE		01
02	0501010617	3/4" NIPPLE		02
03	0503010190	2-114 N 3006-9B O'RING		02
04	0501012109	3/4" X 9/16" NIPPLE		04
05	0503011036	2-111 N 3006-9B O'RING		06
06	0531019339	9/16" UNF X 12 PUMP		02

MECANIC ROW MARKER ASSEMBLY

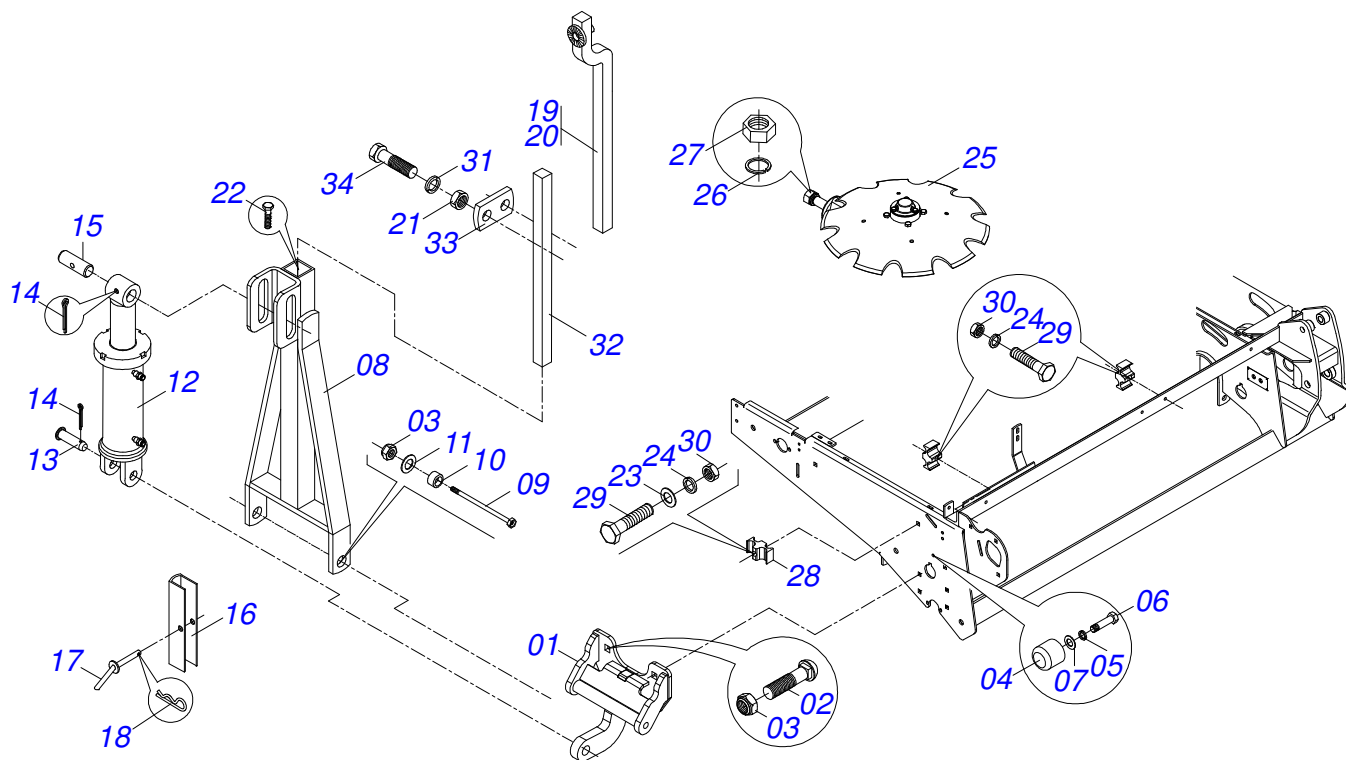


Item	Code	Description	See page	07	09	10	12
00	0501058164	MECANIC ROW MARK		01	00	00	00
00A	0501058169	MECANIC ROW MARK		00	01	00	00
00B	0511050854	MECANIC ROW MARK		00	00	01	00
00C	0511051137	MECANIC ROW MARK		00	00	00	01
01	0511069621	MECANIC ROW MARK SUPPORT		02	02	02	02
02	0503012407	5/8" X 1-1/2" BOLT		08	08	08	08
03	0503012412	HEX SELF ADJUSTING NUT 5/8 UNC S		13	13	13	13
04	0551018204	RIGHT ROW MARKER FIXER		01	01	01	01
05	0551018205	LH ROW MARKER FIXER		01	01	01	01
06	0503010751	C3/8" X 1.1/4" HEX BOLT G.5		06	06	06	06
07	0501010984	FLAT WASHER		12	12	12	12
08	0503010025	3/8 SPRING WASHER		08	08	08	08
09	0503010026	3/8" NUT		08	08	08	08
10	0521010549	COUPLING SHAFT		02	02	02	02
11	0503030168	HAIR PIN		02	02	02	02
12	0511060475	ROW MARKER ARM		01	01	01	01
13	0511060576	LH ROW MARKER ARM		01	01	01	01
14	0503010769	5/8" X 2-1/4" BOLT		04	04	04	04
15	0521010479	SLEEVE ARTICULATION		04	04	04	04
16	0501069643	890 TURNBUCKLE		02	02	02	00
17	0501066949	1235 TURNBUCKLE		00	00	00	02
18	0502010421	SIDE PULLEY		02	02	02	02
19	0521010445	0.53" X 0.75" X 0.45" SLEEVE		02	02	02	02
20	0521010641	COUPLING SHAFT		02	02	02	02
21	0503010140	1/8" X 3/4" COTTERPIN		02	02	02	02
22	0501058197	ROW MARKER PIVOT		01	01	01	01
22A	0501065640	ROW MARKER ROD GUIDE		02	02	02	02
22B	0503010238	1/2" X 1-3/4" BOLT		04	04	04	04
22C	0511017302	FLAT WASHER		06	06	06	06
22D	0503010019	1/2" SPRING WASHER		09	09	09	09
22E	0503010060	1/2" NUT		07	07	07	07

MECANIC ROW MARKER ASSEMBLY

Item	Code	Description	See page	07	09	10	12
22F	0501065644	ROW MARKER ARM/DISARMENT ROD		01	01	01	01
22G	0501064229	REGULATOR ARM/DISARMENT ROD		01	01	01	01
22H	0501062547	ROW MARKER BAR REGULATOR		01	01	01	01
22I	0503010395	1/2" X 1-1/4" BOLT		01	01	01	01
22J	0521010454	0.83" X 1.25" X 0.79" SLEEVE		01	01	01	01
22K	0503010734	1/2" X 2-1/2" BOLT		01	01	01	01
22L	0521010539	0.3" X 1.2" COUPLING SHAFT		02	02	02	02
22M	0503010140	1/8" X 3/4" COTTERPIN		02	02	02	02
22N	0521062281	ROW MARK ARM LOCK		02	02	02	02
22O	0503032995	STEEL CABLE		01	01	01	01
22P	0501010096	3/8" X 2" BOLT		02	02	02	02
22Q	0531010415	ROW MARKER ARM/DISARM GUIDE SLLEVE		04	04	04	04
22T	0501065642	ROW MARKER SUPPORT		01	01	01	01
22U	0521010693	PULLEY FIXER PLATE		01	01	01	01
22V	0511011308	BOLT		02	02	02	02
22W	0503010691	1/4" GREASE FITTING		02	02	02	02
22X	0503010232	5/8" X 1.3/4" BOLT		02	02	02	02
22Y	0503010027	SPRING WASHER		02	02	02	02
22Z	0503010013	5/8" NUT		02	02	02	02
23	0502011231	CENTRAL PULLEY		03	03	03	03
24	0503010762	5/8" X 3-12" BOLT		01	01	01	01
25	0503011126	6,4 X 1000 CHAIN		01	00	00	00
25A	0503011128	6,4 X 1400 CHAIN		00	01	00	00
25B	0503016066	6,4 X 1630 CHAIN		00	00	01	00
25C	0503011129	6,4 X 1900 CHAIN		00	00	00	01
26	0502011291	CHAIN SLEEVE		02	02	02	02
27	0503010683	0,2" X 1,2" SPRING PIN		02	02	02	02
28	0551019268	RIGHT COVER PROTECTION		01	00	00	00
28A	0551018206	LEFT COVER ARM/DISARMENT		00	01	00	00
28B	0561018354	RIGHT COVER PROTECTION		00	00	01	00
28C	0551019266	RIGHT PROTECTION COVER		00	00	00	01
29	0551019269	LEFT COVER PROTECTION		01	00	00	00
29A	0551018207	LEFT COVER PROTECTION		00	01	00	00
29B	0561018355	LEFT COVER PROTECTION		00	00	01	00
29C	0551019267	LEFT PROTECTION COVER		00	00	00	01
30	0511017961	1/2" X 1-1/4" REB BOLT		02	02	02	02
31	0501050633	MARKER DISC ASSY LINE	30	02	02	02	02
32	0521013164	PROTRACTOR TURNBUCKLE		00	00	00	02
33	0501011310	FIXER LOCK		00	00	00	08
34	0503010706	1/2" X 4.1/2" BOLT		00	00	00	08
35	0511016156	5/8" X 1.1/2" BOLT		04	04	04	04

HYDRAULIC ROW MARKER ASSEMBLY



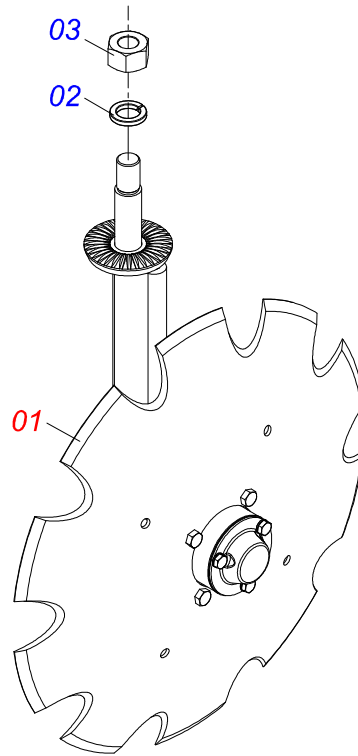
Item	Code	Description	See page	07	08	09	10	11
00	0501058165	7 HYDRAULIC ROW MARKER		01	00	00	00	00
00A	0501058170	9 HYDRAULIC ROW MARKER		00	01	01	00	00
00B	0511050838	HIDRAULIC ROW MARKER ASSY		00	00	00	01	00
00C	0501058172	11 HYDRAULIC ROW MARKER		00	00	00	00	01
01	0511069622	ROW MARKER ARM SUPPORT		02	02	02	02	02
02	0503012699	5/8" X 2" BOLT		08	08	08	08	08
03	0503012412	HEX SELF ADJUSTING NUT 5/8 UNC S		10	10	10	10	10
04	0503011070	BEATER		02	02	02	02	02
05	0503010019	1/2" SPRING WASHER		02	02	02	02	02
06	0503010740	1/2" X 2" BOLT		02	02	02	02	02
07	0551019213	FLAT WASHER		02	02	02	02	02
08	0501069470	ROW MARKER ARM		02	02	02	02	02
09	0521061655	BOLT 5/8 UNC X 320		02	02	02	02	02
10	0521010479	SLEEVE ARTICULATION		04	04	04	04	04
11	0501012140	FLAT WASHER		04	04	04	04	04
12	0511058449	HYDRAULIC CYLINDER		02	02	02	02	02
13	0521010575	C0.9" X 3.3" COUPLING SHAFT		02	02	02	02	02
14	0503010523	1/4" X 2" COTTERPIN		04	04	04	04	04
15	0511015779	1" X 4.2" AXLE		02	02	02	02	02
16	0511017592	11.8" X 1.6" TRANSPORT LOCK		02	02	02	02	02
17	0501068994	0.3" X 3.1" LOCK PIN		02	02	02	02	02
18	0503030168	HAIR PIN		02	02	02	02	02
19	0501069643	890 TURNBUCKLE		02	02	02	02	00
20	0501066949	1235 TURNBUCKLE		00	00	00	00	02
21	0503010060	1/2" NUT		00	00	00	00	08
22	0503010751	C3/8" X 1.1/4" HEX BOLT G.5		02	02	02	02	02
23	0501010984	FLAT WASHER		02	02	02	02	02
24	0503010180	7/16" SPRING WASHER		02	02	02	02	02
25	0501050633	MARKER DISC ASSY LINE	30	02	02	02	02	02
26	0503010023	SPRING WASHER		01	01	01	01	01
27	0503010014	3/4" NUT		01	01	01	01	01



HYDRAULIC ROW MARKER ASSEMBLY

0909093045

Item	Code	Description	See page	07	08	09	10	11
28	0502012702	BODY SUPPORT CLAMP		04	04	04	04	04
29	0503012555	7/16" X 2" BOLT		04	04	04	04	04
30	0503010244	7/16" NUT		04	04	04	04	04
31	0503010019	1/2" SPRING WASHER		04	04	04	04	04
32	0521013164	PROTRACTOR TURNBUCKLE		00	00	00	00	02
33	0501011310	FIXER LOCK		00	00	00	00	08
34	0503010706	1/2" X 4.1/2" BOLT		00	00	00	00	08



Item	Code	Description	See page	QT
01	0511053904	DISC LINE MARKER		01
02	0503010023	SPRING WASHER		01
03	0503010014	3/4" NUT		01



MARCHESAN IMPLEMENTOS E MÁQUINAS AGRÍCOLAS TATU S.A.

AV. Marchesan, 1979 - Post office box, 131 - CEP 15994-900 - Matão - SP - Brazil

Phone +55 16.3382-8282

(FAX Parts) + 55 16.3382. 8297 - (Export) + 55 16.3382.1003

e.mail: tatu@marchesan.com.br www.marchesan.com.br

Technical Publications: Elaboration

JOSÉ DOMINGOS GASPARI

Technical Publications: Revision

JOSÉ DOMINGOS GASPARI

Contact Catálogo:

E-mail = jgaspari@marchesan.com.br

**ORIGINAL PARTS
TATU**

