

**ROW CROP PLANTERS**

## **COP CA - 07/09 LINES**

**Code:** 0501090902  
**Series:** S-0408  
**Revision:** 00  
**Date Revision:** SETEMBRO/2013

# **PARTS CATALOGUE**



**MARCHESAN**



# PRODUCTS

Code	Description
0111110807	COP CA 7/7 MH S-0408
0111110685	COP CA 7/7 MH C/PNEU 11L15 S-0408
0111110662	COP CA 9/10 CBR ADB FERRO MH S-0408
0111110935	COP CA 9/6 MH S-0408
0111110651	COP CA 9/9 S-0408
0111110604	COP CA 9/9 CBR ADB FERRO S-0408
0111110728	COP CA 9/9 MH S-0408

## ATTENTION: IMPORTANT

Marchesan S.A. reserves the right to improve and/or modify the technical features of its products, without obligation to do the same with those products already sold and without prior knowledge of the dealer or the consumer. The photos are only illustrative.



**MARCHESAN**

# INDEX

0909094553	7/9 ROWS FRAME	.....	1
0909094554	WHEELS RIGHT/LEFT	.....	2
0909094350	WHEELS ASSY RIGHT/LEFT	.....	3
0909094349	WHEELS WHEEL AND TIRE ASSY	.....	4
0909094351	WHEEL AND TIRE ASSY	.....	5
0909094353	BEAM ASSY 7/9 LINES	.....	6
0909093275	TRANSMISSION	.....	7
0909094354	GEAR BOX ASSY	.....	8
0511040424	RH TRANSMISSION DRIVING ASSY	.....	9
0501049265	LH TRANSMISSION DRIVING ASSY	.....	10
0909094355	SEED ROW FRONT	.....	11
0511050073	SEED ROW TRANSMISSION HUB	.....	12
0909094356	REAR SEED ROW	.....	13
0909093296	DEPTH CONTROL ASSY	.....	14
0909093298	15X15 SEED UNAL DOUB-DISC ASSY	.....	15
0501052538	DEPTH BAND WITH ARMS	.....	16
0501052908	COMPACTOR WHEEL WITH BEARING	.....	17
0909093280	SHORT FERTILIZER ROW COP CA	.....	18
0909093281	LONG ROW FERTILIZER	.....	19
0511040203	1.5" X 2.5" X 19" X 9" HYDRAULIC CYLINDER	.....	20
0511048339	24" BLADE DISC ASSY	.....	21
0511043969	44,45 X 101,6 HYDRAULIC CYLINDER	.....	22
0909094352	HYDRAULIC CIRCUIT	.....	23
0511041864	2 X 4.48 X 16.3 HYDRAULIC CYLINDER	.....	24
0501050633	ROW MARKER DISK ASSEMBLY	.....	25
0909094357	SEED SYSTEM ASSY	.....	26
0909094358	HIDRAULIC ROW MARKER	.....	27
0909094359	ROW MARKER HYDRAULIC CIRCUIT	.....	28
0501054649	HBM SEQUENTIAL VALVE	.....	29

Item	Code	Description	See page	07 09 LINHAS
00	0909094553	7/9 ROWS FRAME	1	00 00
01	0521062422	FRAME		01 00
02	0521061323	FRAME		00 01
03	0502011530	SUPPORT		02 02
04	0502010175	HITCH CLAMP		02 02
05	0501011543	5/8" X 4" BOLT		04 04
06	0501012140	FLAT WASHER		04 04
07	0503010027	5/8" SPRING WASHER		04 04
08	0503010013	5/8" NUT		04 04
09	0501069951	PLOUGH SUPPORT		02 02
10	0501011075	PIN		02 02
11	0503030012	HAIR PIN		05 05
12	0502012330	SUPPORT FIXER PIVOT		04 04
13	0502012329	DRAWBAR FIXATION REAR SUPPORT		04 04
14	0503011084	3/4" X 5" BOLT		08 08
15	0501010322	FLAT WASHER		08 08
16	0503010023	3/4" SPRING WASHER		16 16
17	0503010014	3/4" NUT		16 16
18	0511065418	DRAWBAR SUPPORT FRONT FIXATION		04 04
19	0561014393	COUPLING SHAFT		04 04
20	0501012916	FLAT WASHER 38,50 X 66 X 4,75 ZN		08 08
21	0503030119	LOCK PIN		04 04
22	0511065419	DRAWBAR FIXER CLAMP		04 04
23	0521010066	3/4" X 8.12" BOLT		08 08
24	0561015343	ARTICULACION SUPPORT		02 02
25	0503014734	BOLT		08 08
26	0503010019	1/2" SPRING WASHER		24 24
27	0503010060	1/2" NUT		24 24
28	0521062416	PLATFORM		02 00
29	0521061333	PLATFORM		00 02
30	0501011755	3/8" X 3" BOLT		04 04



## 7/9 ROWS FRAME

0909094553

Item	Code	Description	See page	07	09	LINHAS
31	0501010984	FLAT WASHER		12	12	
32	0503010025	3/8" SPRING WASHER		16	16	
33	0503010026	3/8" NUT		13	13	
34	0521061335	RIGHT SIDE HANDRAIL		01	01	
35	0521061336	LH SIDE HANDRAIL		01	01	
36	0503011088	3/8" X 1-1/4" BOLT		04	04	
37	0501010161	1/2" X 1.1/4" BOLT		04	04	
38	0511017302	FLAT WASHER		12	12	
39	0503011957	NYLON LUG		02	02	
40	0503010371	5/16" X 1" BOLT		04	04	
41	0503010179	LOCK WASHER		05	05	
42	0503010337	5/16" NUT		05	05	
43	0511065678	STAIR RIGHT LOCK		01	01	
44	0511065679	STAIR RIGHT LOCK		01	01	
45	0503010257	1/8" X 1" COTTERPIN		02	02	
46	0521062417	HANDRAIL		02	00	
47	0521061334	HANDRAIL		00	02	
48	0521061331	RIGHT LADDER		01	01	
49	0521061332	LEFT LADDER		01	01	
50	0531018627	0.5" X 1" X 0.2" SLEEVE		04	04	
51	0503010740	BOLT 1/2 UNC X 2 CS G.5 ZN		04	04	
52	0511010369	3/8" X 74.80" LEVER ROPE		02	02	
53	0503010296	CLAMP		04	04	
54	0503060100	OPERATOR'S MANUAL STORAGE TUBE		01	01	
55	0503010358	5/16" X 5/8" BOLT		01	01	
56	0503010267	NYLON CLAMP		01	01	
57	0501055579	DRAWBAR ESTABILIZER		01	01	
57A	0511041864	2 X 4.48 X 16.3 HYDRAULIC CYLINDER	24	01	01	
57B	0502011237	ESTABILIZER BODY		01	01	
57C	0511065467	LH SCREW ARBOR		01	01	
57D	0511061880	SIDE RIGHT RATCHET		01	01	
57E	0531010264	SIDE RATCHET		01	01	
57F	0511061881	RATCHET FOLLOWER		01	01	
57G	0521018517	FLAT WASHER		02	02	
57H	0521018920	0.4" X 0.5" X 0.2" SLEEVE		03	03	
57I	0503011179	3/8" X 2-1/4" BOLT		05	05	
57J	0501053835	FEMALE QUICK COUPLER		02	02	
58	0521018501	TURNBUCKLE LEVER		01	01	
59	0503010920	1/2" X 1.1/2" BOLT		08	08	
60	0521018531	1.4" X 4.5" COUPLING SHAFT		01	01	
61	0521018532	1.4" X 12" COUPLING SHAFT		01	01	
62	0511043100	DRAWBAR ASSY		01	01	
62A	0511065905	DRAWBAR COP-CE		01	01	
62B	0501069632	TRACTOR HITCH		01	01	
62C	0521010681	BUSHING COUPLING BODY		01	01	
62D	0521010639	COUPLING SHAFT		01	01	
62E	0503010571	1/4" X 1.1/2 COTTERPIN		01	01	
62F	0503030085	LOCK PIN		04	04	
62G	0503010002	1800 GREASE FITTING		03	03	
63	0511043137	TOOLS BOX ASSY		02	02	
63A	0511065471	BOX OF TOOLS		02	02	
63B	0503010293	BAQUELITE MANIPULACION		02	02	
63C	0503011334	BOLT 3/8 UNC X 3/4 CS G.5 ZN		02	02	
64	0502010477	HOSE CLAMP		01	01	
65	0503011268	3/8" X 2-1/2" BOLT		01	01	
66	0501047881	AXIS JOINT ASSY		01	01	
66A	0501068989	COUPLING SHAFT		01	01	
66B	0503031035	HAIR PIN		02	02	
67	0541012017	DRAWBAR LOCK PLATE		01	01	



Item	Code	Description	See page	07 09 LINHAS
68	0541014576	HOSE FIXER ASSY		01 01

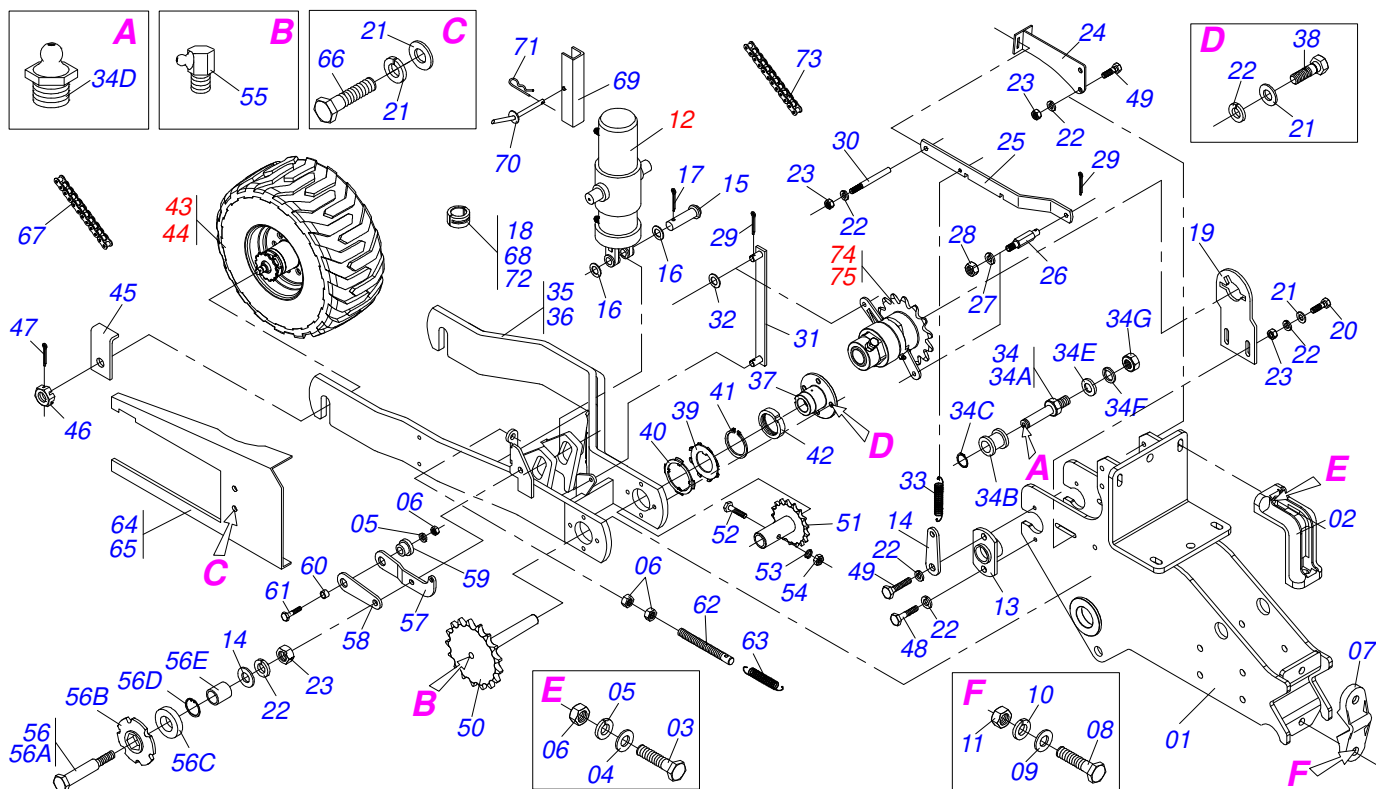


Item	Code	Description	See page	07 LINHAS ATE 02/2013
00	0511051080	11L15 WHITH RIGHT WHEEL ASSY		01
00A	0511051081	11L15 WITH LEFT WHEEL SET		01
01	0511065423	WHEEL SUPPORT		01
02	0502012400	ROW FERTILIZER FIXER		02
03	0501010452	5/8" X 5" BOLT		04
04	0501012140	FLAT WASHER		04
05	0503010027	5/8" SPRING WASHER		09
06	0503010013	5/8" NUT		11
07	0502011308	WHELL FASTENER		01
08	0503013185	3/4" X 5-1/2" BOLT		02
09	0501010322	FLAT WASHER		02
10	0503010023	3/4" SPRING WASHER		02
11	0503010014	3/4" NUT		02
12	0531019365	PLATE FIXER BEARING AXIS		01
13	0503010920	1/2" X 1.1/2" BOLT		10
14	0511017302	FLAT WASHER		11
15	0503010019	1/2" SPRING WASHER		20
16	0503010060	1/2" NUT		03
17	0501048672	CHAIN TENSIONER ASSY		01
17A	0521012529	CHAIN TIGHTENER AXLE		01
17B	0503030402	PULLEY		01
17C	0503010302	501019 SEAL RING		01
17D	0503010002	1800 GREASE FITTING		02
17E	0511017302	FLAT WASHER		01
17F	0503010019	1/2" SPRING WASHER		01
17G	0503010060	1/2" NUT		01
18	0511065935	RIGHT WHEEL FORK		01
19	0511065934	LEFT WHEEL FORK		01
20	0501110625	BEARING ARTICULATION WHEEL		02
21	0561013021	BEARING INNER LOK		02
22	0561013022	BEARING EXTERNAL LOCK		02



Item	Code	Description	See page	07 LINHAS ATE 02/2013
23	0503010398	501082 CLAMPING RING (FOR AXLE)		02
24	0561013020	KM 12 NUT		02
25	0501055275	11L15 HUB WITH TIRE WHEEL ASSY		01
26	0521012190	AXLE LOCK		02
27	0503011188	M16 X 2 X 50 BOLT		02
28	0511043969	44,45 X 101,6 HYDRAULIC CYLINDER	22	01
29	0511066351	FLANGE CYLINDER HYDRAULIC FIXER		02
30	0541014046	SPRING HITCH		01
31	0503010834	1/2 X 1 BOLT		03
32	0503010395	1/2" X 1-1/4" BOLT		04
33	0521010546	1.2" X 5.7" COUPLING SHAFT		01
34	0501017779	32 X 60 X 4.75 FLAT WASHER		02
35	0503010523	1/4" X 2" COTTERPIN		01
36	0511064769	15Z GEAR WITH AXLE		01
37	0511061809	15Z GEAR WITH COUPLING		01
38	0503011103	7/16" X 2-1/2" BOLT		01
39	0503010180	7/16" SPRING WASHER		01
40	0503010244	7/16" NUT		01
41	0503010004	1890 GREASE FITTING		02
42	0501053522	WHEEL CHAIN TENSIONER		01
42A	0551018252	CHAIN TIGHTENER AXLE		01
42B	0502012018	CHAIN TIGHTENER BEARING		01
42C	0503012882	BEARING		01
42D	0503011945	503050 CLAMPING RING (FOR AXLE)		01
42E	0511014513	1" X 0.6" X 0.4" ARTICULAT SLEEVE		01
43	0531018654	CHAIN TIGHTENER SUPPORT		01
44	0531018653	CHAIN TIGHTENER MINOR SUPPORT		01
45	0531016916	SLEEVE BEARING SUPPORT		02
46	0511014513	1" X 0.6" X 0.4" ARTICULAT SLEEVE		01
47	0503010899	5/8" X 2-1/4" BOLT		01
48	0501013491	5/8" TENSIONER SPRING		01
49	0503031103	0.9" X 4.1" X 0.1" TRACTION SPRING		01
50	0501110025	AGRICULTURAL BEARING		01
51	0503010257	1/8" X 1" COTTERPIN		01
52	0511040424	RH TRANSMISSION DRIVING ASSY	9	01
53	0501049265	LH TRANSMISSION DRIVING ASSY	10	01
54	0501010984	FLAT WASHER		02
55	0503010140	1/8" X 3/4" COTTERPIN		03
56	0511061896	RATCHET DISMANTLE SUPPORT		01
57	0503010395	1/2" X 1-1/4" BOLT		02
58	0521015800	REAR LEVER FASTENER		01
59	0503010025	3/8" SPRING WASHER		01
60	0503010026	3/8" NUT		01
61	0541012066	ASSEMBLE AND DISASSEMBLE ARM RIGHT		01
62	0541012164	ASSEMBLE AND DISASSEMBLE ARM LEFT		01
63	0521018560	HANDLE LEVER		01
64	0503030242	0.8" X 4.7" X 0.08" TRACTION SPRING		01
65	0503012708	2050 CHAIN X 34 LINKS + REDUCTION		01
66	0503012570	CHAIN 2050 X 2.8" LINK + MENDING		01
67	0531016051	CARRY-WHEEL CHAIN PROTECTION CAP		01
68	0541012543	LEFT CARRY-WHEEL CHAIN PROTECTION		01
69	0501013772	1/2" X 3-1/4" BOLT		02
70	0521013022	TRANSPORT LOCK		02
71	0501047885	ROD STOP		02
72	0501047886	ROD STOP		02
73	0501047887	ROD STOP		02
74	0501068994	0.3" X 3.1" LOCK PIN		02
75	0503030168	CUPILLA		02
76	0511061837	PIVOT ARM ASSY		01





Item	Code	Description	See page	07 09 LINHAS
00	0501059662	CONJUNTO RODADO DIREITO SEMI MONTADO		01 00
00A	0501059663	SET WHEELED LEFT SEMI MOUNTED		00 01
01	0511065423	WHEEL SUPPORT		01 01
02	0502012400	ROW FERTILIZER FIXER		02 02
03	0501010452	5/8" X 5" BOLT		04 04
04	0501012140	FLAT WASHER		04 04
05	0503010027	5/8" SPRING WASHER		05 05
06	0503010013	5/8" NUT		07 07
07	0502011308	WHELL FASTENER		01 01
08	0503013185	3/4" X 5-1/2" BOLT		02 02
09	0501010322	FLAT WASHER		02 02
10	0503010023	3/4" SPRING WASHER		02 02
11	0503010014	3/4" NUT		02 02
12	0511043969	44,45 X 101,6 HYDRAULIC CYLINDER	22	01 01
13	0511066351	FLANGE CYLINDER HYDRAULIC FIXER		02 02
14	0541014046	SPRING HITCH		01 01
15	0521010546	1.2" X 5.7" COUPLING SHAFT		01 01
16	0501017779	32 X 60 X 4.75 FLAT WASHER		02 02
17	0503010523	1/4" X 2" COTTERPIN		01 01
18	0501047887	ROD STOP		01 01
19	0531019365	PLATE FIXER BEARING AXIS		01 01
20	0503010920	1/2" X 1.1/2" BOLT		02 02
21	0511017302	FLAT WASHER		07 07
22	0503010019	1/2" SPRING WASHER		25 25
23	0503010060	1/2" NUT		11 11
24	0511061896	RATCHET DISMANTLE SUPPORT		01 01
25	0521018428	ASSEMBLE AND DISASSEMBLE ARM		01 01
26	0521015800	REAR LEVER FASTENER		01 01
27	0503010025	3/8" SPRING WASHER		01 01
28	0503010026	3/8" NUT		01 01
29	0503010140	1/8" X 3/4" COTTERPIN		04 04



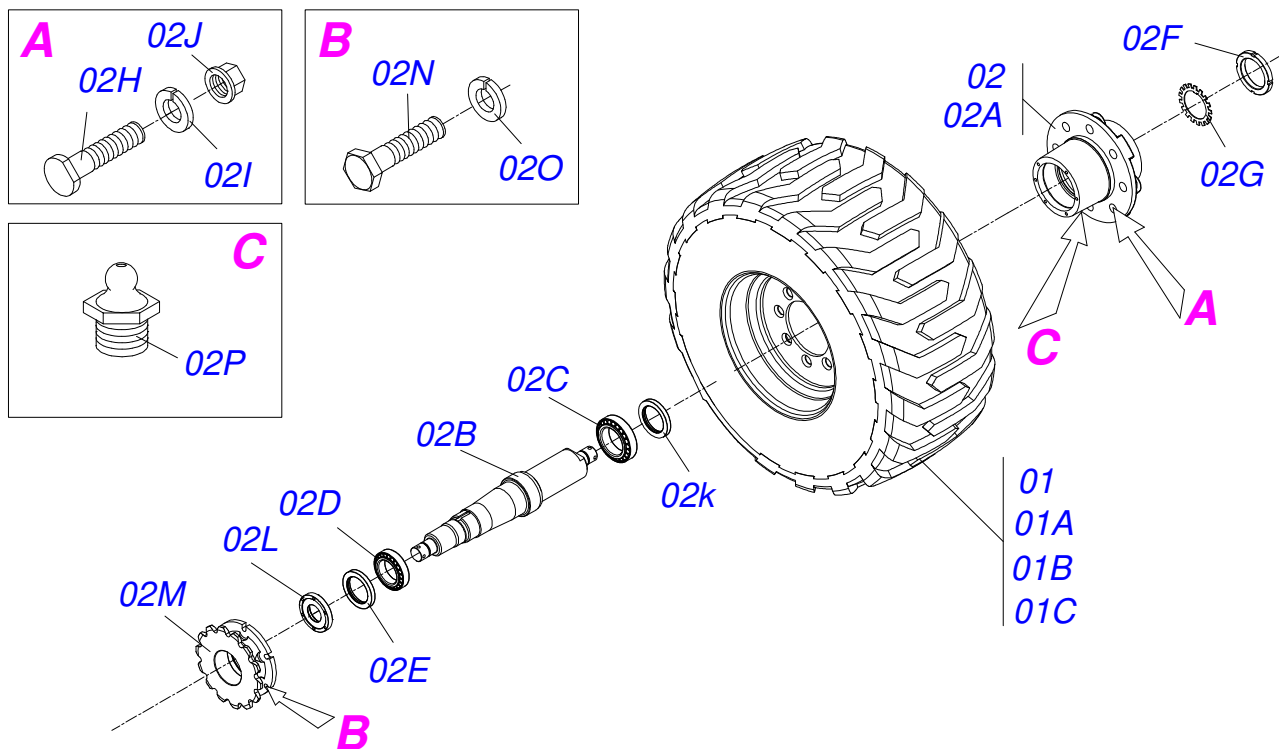
COP CA - 07/09 LINES  
WHEELS ASSY RIGHT/LEFT

Page 3  
0909094350

Item	Code	Description	See page	07	09	LINHAS
30	0521018560	HANDLE LEVER		01	01	
31	0511065949	ASSEMBLE AND DISASSEMBLE ARM		01	01	
32	0501010984	FLAT WASHER		02	02	
33	0503030242	0.8" X 4.7" X 0.08" TRACTION SPRING		01	01	
34	0501048672	CHAIN TENSIONER ASSY		01	01	
34A	0531017202	AXLE CHAIN TIGHTENER		01	01	
34B	0503030402	PULLEY		01	01	
34C	0503010302	501019 SEAL RING		01	01	
34D	0503010002	1800 GREASE FITTING		02	02	
34E	0511017302	FLAT WASHER		01	01	
34F	0503010019	1/2" SPRING WASHER		01	01	
34G	0503010060	1/2" NUT		01	01	
35	0521061337	RIGHT WHEEL FORK		01	00	
36	0521061338	LEFT WHEEL FORK		00	01	
37	0501110625	BEARING ARTICULATION WHEEL		02	02	
38	0503013232	1/2' BOLT		08	08	
39	0561013021	BEARING INNER LOK		02	02	
40	0561013022	BEARING EXTERNAL LOCK		02	02	
41	0503010398	501082 CLAMPING RING (FOR AXLE)		02	02	
42	0561013020	KM 12 NUT		02	02	
43	0501059655	HUB CARRYING-WHEELS		01	01	
44	0503060602	400/60 X 15,5-14L RODA		01	01	
45	0521012190	AXLE LOCK		02	02	
46	0503011052	1.1/4" X 0.77" CASTLE NUT		02	02	
47	0503010067	3/16" X 2.1/2" COTTER PIN		02	02	
48	0503010834	1/2 X 1 BOLT		03	03	
49	0503010395	1/2" X 1-1/4" BOLT		01	01	
50	0511064769	15Z GEAR WITH AXLE		01	01	
51	0511061809	15Z GEAR WITH COUPLING		01	01	
52	0503011103	7/16" X 2-1/2" BOLT		01	01	
53	0503010180	7/16" SPRING WASHER		01	01	
54	0503010244	7/16" NUT		01	01	
55	0503010004	1890 GREASE FITTING		02	02	
56	0501053522	WHEEL CHAIN TENSIONER		01	01	
56A	0531012640	AXLE CHAIN TIGHTENER		01	01	
56B	0502012018	CHAIN TIGHTENER BEARING		01	01	
56C	0503012882	BEARING		01	01	
56D	0503011945	503050 CLAMPING RING (FOR AXLE)		01	01	
56E	0531012678	4.5" X 0.9" X 0.2" SLEEVE		01	01	
57	0531018654	CHAIN TIGHTENER SUPPORT		01	01	
58	0531018653	CHAIN TIGHTENER MINOR SUPPORT		01	01	
59	0531016916	SLEEVE BEARING SUPPORT		02	02	
60	0511014513	1" X 0.6" X 0.4" ARTUCULAT SLEEVE		01	01	
61	0503010899	5/8" X 2-1/4" BOLT		01	01	
62	0501013491	5/8" TENSIONER SPRING		01	01	
63	0503031103	0.9" X 4.1" X 0.1" TRACTION SPRING		01	01	
64	0531016051	CARRY-WHEEL CHAIN PROTECTION CAP		01	00	
65	0541012543	LEFT CARRY-WHEEL CHAIN PROTECTION		00	01	
66	0501013772	1/2" X 3-1/4" BOLT		02	02	
67	0503012708	2050 CHAIN X 34 LINKS + REDUCTION		01	01	
68	0501047886	ROD STOP		02	02	
69	0521013022	TRANSPORT LOCK		02	02	
70	0501068994	0.3" X 3.1" LOCK PIN		02	02	
71	0503030168	CUPILLA		02	02	
72	0501047885	ROD STOP		02	02	
73	0503012570	CHAIN 2050 X 2.8" LINK + MENDING		01	01	
74	0511040424	RH TRANSMISSION DRIVING ASSY	9	01	01	
75	0501049265	LH TRANSMISSION DRIVING ASSY	10	01	01	



Item	Code	Description	See page	07 linhas (ATE 02/2013)
01	0503060244	WHEEL WITH TIRE11L-15 10L 8F ASSY		01
01A	0503012108	WHEEL 10 LB X 15 X 8F X 203		01
01B	0503010860	AIR CHAMBER 11L 15		01
01C	0503010858	CANVAS TIRE		01
02	0501055330	CARRYING WHEEL HUB ASSY WITH TIRE		01
02A	0502012261	TIRE FOR WHEEL BOX		01
02B	0503010328	25590/25523 ROLLER BEARING		01
02C	0501010127	9/16" X 1-7/8" LUG BOLT		06
02D	0503010008	3780/3720 ROLLER BEARING		02
02E	0503010804	00547-B SEAL		02
02F	0541012162	WHEEL BOX AXLE		01
02G	0511065460	FLANGE 14Z GEAR		01
02H	0503011444	SPRING WASHER		06
02I	0503010421	5/16" X 1-1/2" BOLT		06
02J	0511015949	LOCK NUT		01
02K	0503010329	LOCK WASHER		01
02L	0503010330	KM 9 LOCKNUT		01
02M	0503013001	9/16" CONICAL NUT		06
02N	0503010002	1800 GREASE FITTING		01

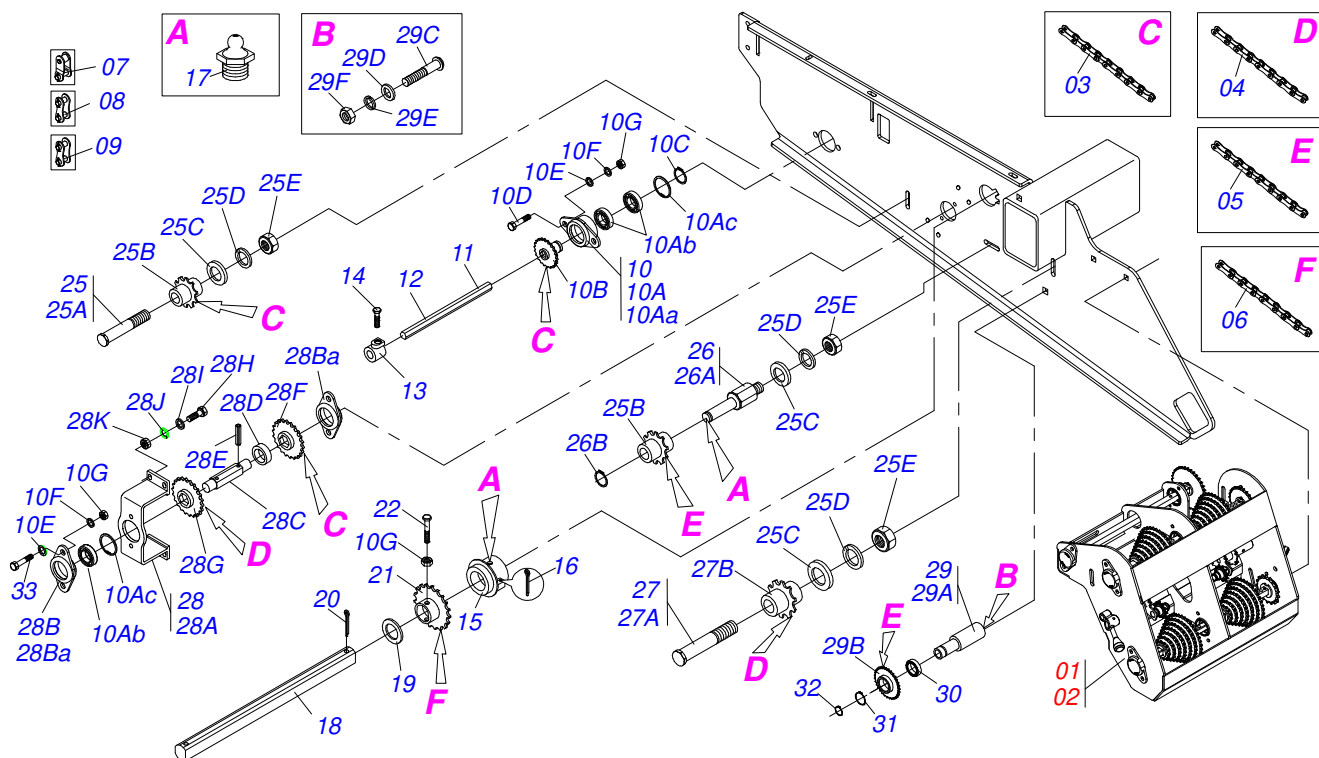


Item	Code	Description	See page	07 APARTIR 02/2013- 09LINHAS
01	0503060602	400/60 X 15,5-14L RODA		01
01A	0511064578	CENTER 13 X 15.5 WHEEL		01
01B	0503012112	400/60 - 15.5 TR 15 INNER TIRE		01
01C	0503013119	CANVAS TIRE		01
02	0501059655	HUB CARRYING-WHEELS		01
02A	0502040522	HUB CARRYING-WHEELS		01
02B	0561015609	WHEEL AXLE		01
02C	0503010059	33287/33462 ROLLER BEARING		01
02D	0503010007	3982/3920 ROLLER BEARING		01
02E	0503010050	SEAL 00085-B		01
02F	0503012702	KM-12 NUT		02
02G	0503012703	LOCK WASHER		01
02H	0503011339	M22 X 1,5 X 72 BOLT		08
02I	0503011340	SPHERICAL SPRING WASHER		08
02J	0503011341	M22 X 0.6" NUT GR8 NUT		08
02K	0503010528	SEAL # 00838-B		01
02L	0551017794	PROTRACTOR GEAR		01
02M	0502012177	14Z FLANG GEAR		01
02N	0503011766	5/16" X 2-1/2" BOLT		06
02O	0503010179	LOCK WASHER		06
02P	0503010002	1800 GREASE FITTING		01

Item	Code	Description	See page	DIR ESQ 07/09LINHAS
01	0521062410	RH BEAM SUPPORT		01 00
02	0521062412	LH BEAM SUPPORT		01 00
03	0521061324	BOX FERTILIZER SUPPORT		00 01
04	0521061325	FERTILIZER SUPORT LEFT BOX		00 01
05	0511051558	LEFT SIDE FERTILIZER DISTRIBUTOR		04 05
05A	0501110682	DISTRIBUTOR FERTILIZER WITH LEFT SIDE OUTLET		04 05
05B	0501019851	DISTRIBUTOR FERTILIZER AXLE		08 10
05C	0521010309	SLEEVE INTER		08 10
05D	0503030275	AGRICULTURAL BEARING		24 30
05E	0503031164	RIGHT HELICOID CONDUCTOR		04 05
05F	0511017137	FLAT WASHER		08 10
05G	0503030303	SUPPORT WASHER		10 12
05H	0501013774	GREASE SEAL		08 10
05I	0502011412	18Z CONICAL GEAR		16 20
05J	0503010523	1/4" X 2" COTTERPIN		08 10
05K	0503011962	GREASE FITTING		16 20
05L	0503010003	1845 GREASE FITTING		10 12
06	0511051535	RIGHT SIDE FERTILIZER DISTRIBUTOR		04 05
06A	0501110676	SIDE FERTILIZER DISTRIBUTOR		04 05
06B	0503031165	LEFT HELICOID CONDUCTOR		04 05
07	0503010751	C3/8" X 1.1/4" HEX BOLT G.5		32 40
08	0501010984	FLAT WASHER		48 56
09	0503011443	3/8" SPRING WASHER		32 40
10	0503010026	3/8" NUT		40 48
11	0511061759	22Z P12,70 FQ 3/4" GEAR		02 02
12	0521014167	CONE LOCK		04 04
13	0551018055	22,65 X 60 SLEEVE		04 04
14	0501018700	3/4" X 58" SQUARE SHAFT		02 00
15	0511010866	RIGHT AXLE		00 02
16	0501053788	3/4 SQUARE AXLE FASTENER		04 04
16A	0521010691	AXLE FASTENER		04 04



Item	Code	Description	See page	DIR ESQ 07/09LINHAS
16B	0503010373	SCREW 1/4 UNC X 2 CS G.2 ZN		04 04
16C	0501010694	FLAT WASHER		04 04
16D	0503010143	1/4" SPRING WASHER		04 04
16E	0503010144	1/4" NUT		04 04
17	0501110294	BEARING OF THE GEAR RIGHT BOX		02 02
18	0521012485	GEAR BOX BEARING AGRICUTURAL		02 02
19	0503010363	5/16" X 1" BOLT		04 04
20	0503011444	SPRING WASHER		04 04
21	0503010337	5/16" NUT		04 04
22	0503010849	3/8" X 1-1/2" BOLT		08 08
23	0503010025	3/8" SPRING WASHER		08 08
24	0571010590	FERTILIZER SIDE COVER		08 10
25	0503010257	1/8" X 1" COTTERPIN		08 10
26	0503060636	COVER BOX RIGHT FERTILIZER		01 00
27	0503060637	COVER BOX LEFT FERTILIZER		01 00
28	0503060640	COVER BOX RIGHT FERTILIZER		00 01
29	0503060641	COVER BOX LEFT FERTILIZER		00 01
30	0511062099	FERTILIZER BEAM CLAMP		04 04
31	0511061886	FERTILIZER BEAM LOCK		04 04
32	0503010010	1/4" X 2.1/2" COTTERPIN		04 04
33	0503010060	1/2" NUT		04 04
34	0503032624	SILO FERTILIZER GUTTER		06 06
35	0503031050	CURVED CONDUCTOR		07 09
36	0503010246	CLAMP		07 09



Item	Code	Description	See page	07 09 LINHAS
01	0511048348	RIGHT GEAR BOX ASSY		01 01
02	0511048349	RIGHT GEAR BOX ASSY		01 01
03	0503010429	50-1 X CHAIN X 108 LINK + MENDING		02 02
04	0503012477	40-1 X 129 CHAIN LINK + MENDING		02 02
05	0503012390	40-1 CHAIN X 93 LINK + MENDING		02 02
06	0503013214	40-1 CHAIN X 97 LINK + MENDING		02 02
07	0503011750	AMENDMENT WITH LOCK		02 02
08	0503011751	REDUCTION		02 02
09	0503010543	AMENDMENT WITH LOCK		02 02
10	0501053608	BEARING ASSY WITH GEAR 20Z 5/8" HEX AXLE		02 02
10A	0501053608	BEARING ASSY WITH GEAR 20Z 5/8" HEX AXLE		01 01
10Aa	0502011987	DOUBLE HOUSING BEARING		01 01
10Ab	0503011410	ROLLER BEARING		02 02
10Ac	0503011105	SEAL RING		01 01
10B	0511063106	20Z AXLE BEARING DOBLE		01 01
10C	0503010406	501025 CLAMPING RING (FOR AXLE)		02 02
10D	0503010365	NUT		04 04
10E	0501010694	FLAT WASHER		12 12
10F	0503010179	LOCK WASHER		12 12
10G	0503010337	5/16" NUT		16 16
11	0561018823	5/8" X 2250 MOTOR SHAFT		01 01
12	0531016942	RIGHT HEX AXLE 5/8 X 2050		01 01
13	0502040534	SPRING GUIDE BUSHING LOCK		04 04
14	0503010237	3/8" X 1" BOLT		04 04
15	0501110639	BEARING		04 04
16	0503010257	1/8" X 1" COTTERPIN		04 04
17	0503010002	1800 GREASE FITTING		04 04
18	0561015384	518 MOTOR SHAFT		02 02
19	0501018466	FLAT WASHER		02 02
20	0503010010	1/4" X 2.1/2" COTTERPIN		02 02
21	0511064105	17Z P 5/8" RH 1.4" GEAR		02 02

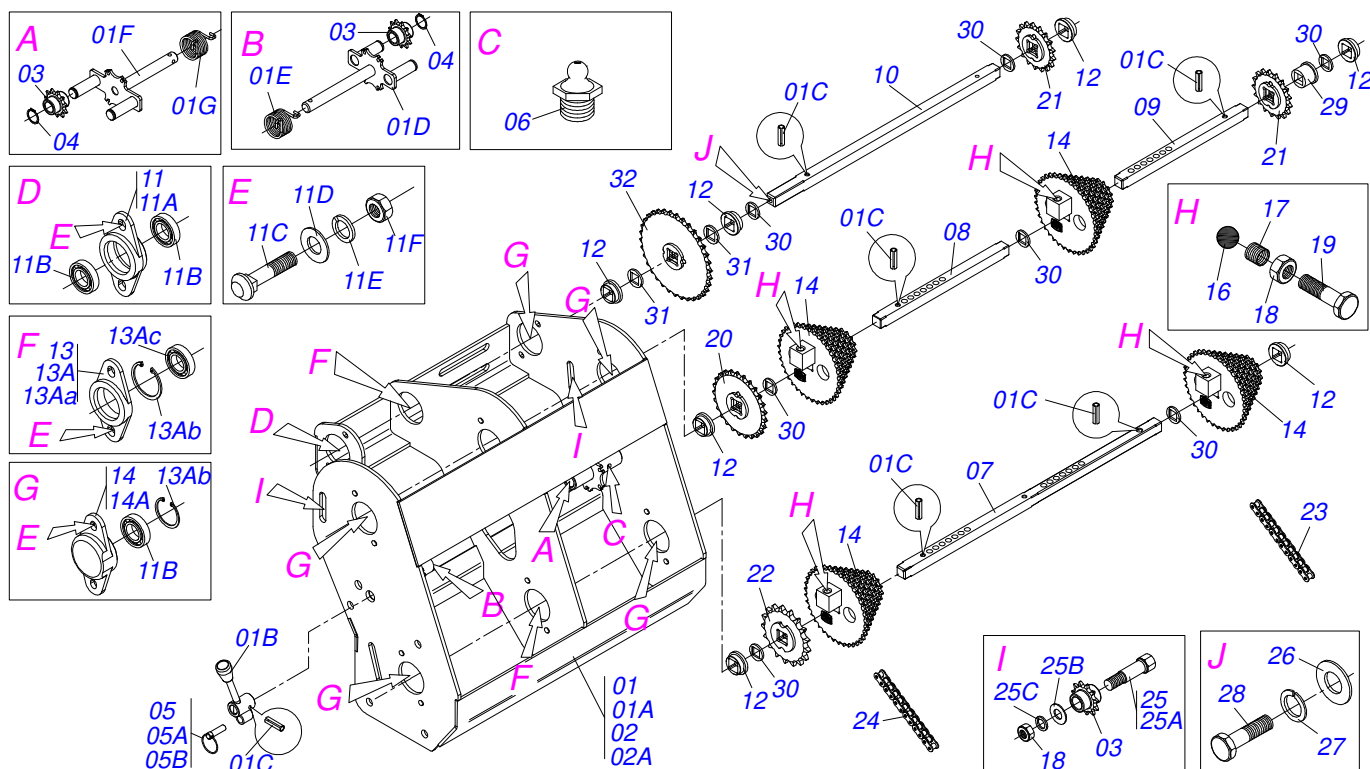


## TRANSMISSION

0909093275

Item	Code	Description	See page	07 09 LINHAS
22	0503010937	5/16" X 3" BOLT		02 02
23	0511040424	RH TRANSMISSION DRIVING ASSY	9	01 01
24	0501051597	TRANSMISSION LEFT DRIVING		01 01
25	0501054655	CHAIN TENSIONER ASSY		02 02
25A	0531019479	AXLE CHAIN GEAR		02 02
25B	0503031806	9Z X P 5/8" GEAR		04 04
25C	0511017302	FLAT WASHER		06 06
25D	0503010019	1/2" SPRING WASHER		06 06
25E	0503010060	1/2" NUT		06 06
26	0501052810	TRANSMISSION CHAIN TENSIONER ASSEMBLY		02 02
26A	0521018933	FERT CHAIN TENSIONER AXLE		02 02
26B	0503010301	0.3" X 1.8" SPRING PIN		02 02
27	0501054686	GEAR BOX CHAIN TENSIONER		02 02
27A	0531019398	AXLE TENSIONER CHAIN GEAR BOX		02 02
27B	0503031805	11Z 1/2" GEAR		02 02
28	0501053846	MIDDLE BEARING OF THE TRANSMISSION		02 02
28A	0511063266	INTERMEDIARY BEARING SUPPORT		02 02
28B	0501052775	ROW SEED BEARING		04 04
28Ba	0502011697	BEARING OF THE GEAR BOX		02 02
28C	0531013674	INTERMEDIATE AXLE		02 02
28D	0541011184	1.1" X 2" X 0.7" SLEEVE		02 02
28E	0503010292	0.2" X 1.6" SPRING PIN		04 04
28F	0511063268	20Z P1/2" GEAR FOR HEX AXLE, 1"		02 02
28G	0511063267	26Z P1/2" GEAR FOR HEX AXLE, 1"		02 02
28H	0503010751	C3/8" X 1.1/4" HEX BOLT G.5		08 08
28I	0501010984	FLAT WASHER		08 08
28J	0503010025	3/8" SPRING WASHER		08 08
28K	0503010026	3/8" NUT		08 08
29	0501052788	CHAIN TENSIONER ASSY		02 02
29A	0521018415	TIGHTENER AXLE		02 02
29B	0511061836	17Z GEAR		02 02
29C	0501011234	5/8" X 3" BOLT		02 02
29D	0501012140	FLAT WASHER		02 02
29E	0503010027	5/8" SPRING WASHER		02 02
29F	0503010013	5/8" NUT		02 02
30	0503011410	ROLLER BEARING		04 04
31	0503011105	SEAL RING		02 02
32	0503010406	501025 CLAMPING RING (FOR AXLE)		04 04
33	0503010371	5/16" X 1" BOLT		08 08





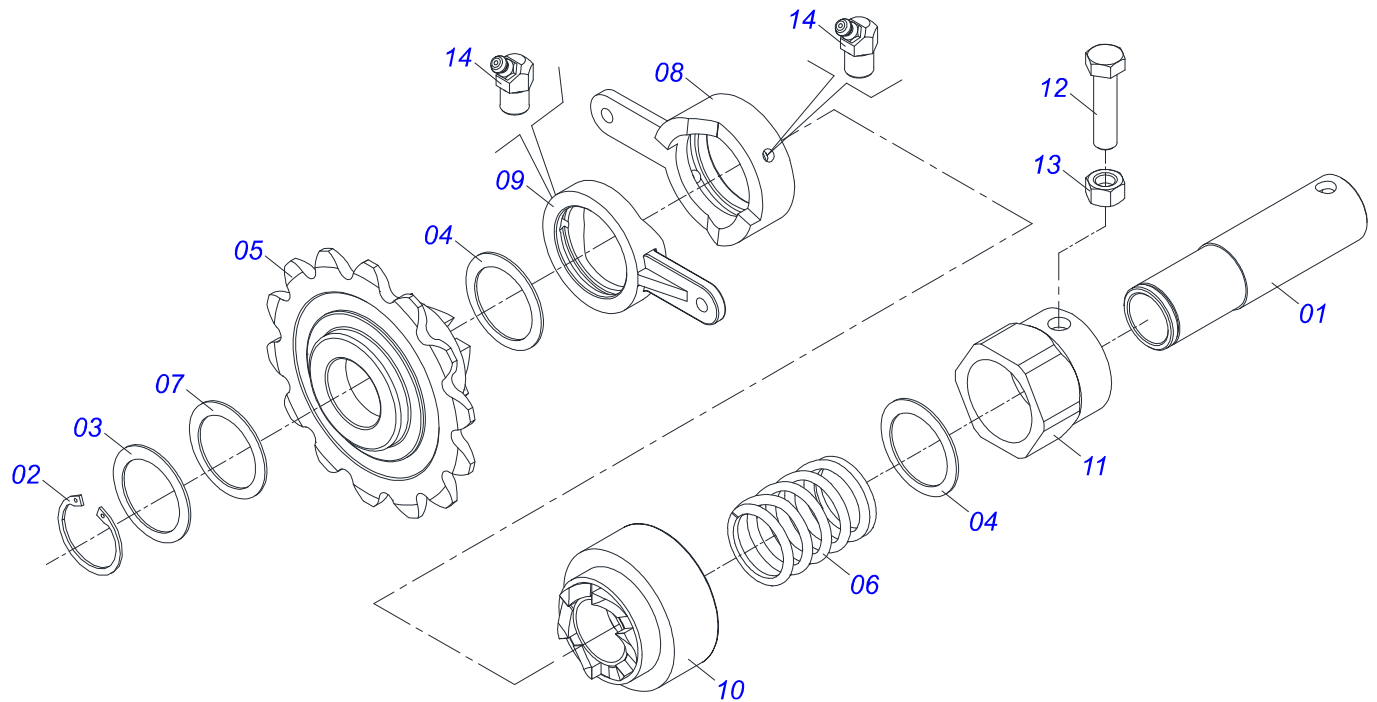
Item	Code	Description	See page	07 09 LINHAS
00	0511048348	RIGHT GEAR BOX ASSY	01	01
00A	0511048349	RIGHT GEAR BOX ASSY	01	01
01	0501058212	SEMI MOUNTED RIGHT CHANGE	01	01
01A	0511069565	LEFT GEAR BOX	01	01
01B	0502011758	REAR TENSIONER LEVER	04	04
01C	0503010292	0.2" X 1.6" SPRING PIN	14	14
01D	0511061794	CHAIN TENSIONER	02	02
01E	0503031367	SPRING	02	02
01F	0511060392	CHAIN TENSIONER	02	02
01G	0503031366	RIGHT TWISTED SPRING RECAMBIO	02	02
02	0501058213	LH GEAR BOX	01	01
02A	0511069566	LEFT GEAR BOX	01	01
03	0503031805	11Z 1/2" GEAR	12	12
04	0503010302	501019 SEAL RING	08	08
05	0501048790	AXLE WITH RING	04	04
05A	0521012476	GEAR BOX LEVER AXLE	04	04
05B	0503031369	LINK	04	04
06	0503010002	1800 GREASE FITTING	04	04
07	0551018209	DRIVING AXLE	02	02
08	0521018259	DRIVEN AXLE	02	02
09	0551018210	DRIVEN AXLE	02	02
10	0551018211	INTERM SHAFT	02	02
11	0501056447	CENTRAL DOUBLE GEAR HOUSING BEARING	02	02
11A	0502011978	HOUSING CENTRAL BEARING	02	02
11B	0503013462	BEARING WITH BALL BEARING	04	04
11C	0503011953	5/16" X 1" BOLT	32	32
11D	0501010694	FLAT WASHER	32	32
11E	0503010179	LOCK WASHER	32	32
11F	0503010337	5/16" NUT	32	32
12	0503030303	SUPPORT WASHER	14	14
13	0501056443	GEAR HOUSING BEARING	04	04



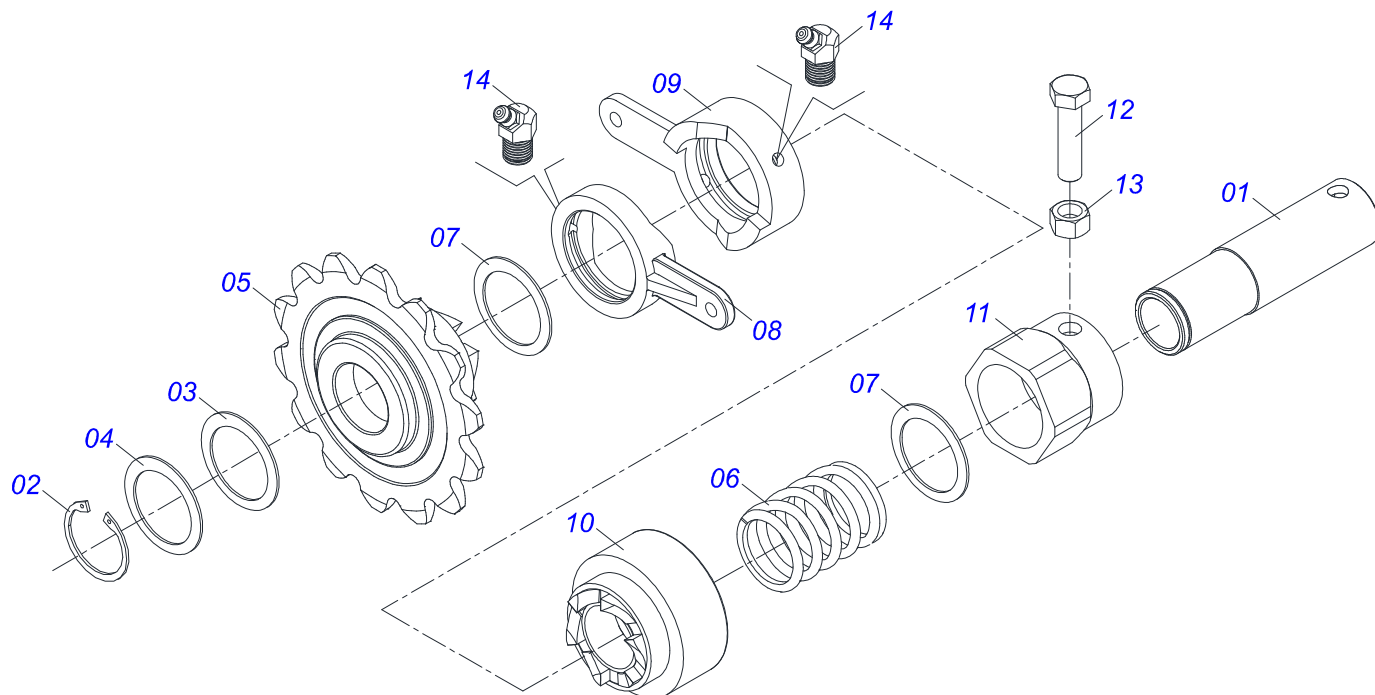
## GEAR BOX ASSY

0909094354

Item	Code	Description	See page	07 09 LINHAS
13A	0501056444	BEARING WITH ROLLING		04 04
13Aa	0502011697	BEARING OF THE GEAR BOX		04 04
13Ab	0503011105	SEAL RING		04 04
13Ac	0503013462	BEARING WITH BALL BEARING		04 04
14	0501056271	GEARBOX CLOSED BEARING		10 10
14A	0502012310	GEAR BOX CLOSE BEARING		10 10
15	0511060396	DRIVE/DRIVEN AXLE CONE		08 08
16	0503012389	1/2 BALL		08 08
17	0503031512	0.4" X 0.1" X 2" X 0.6" SPRING		08 08
18	0503010060	1/2" NUT		12 12
19	0503010395	1/2" X 1-1/4" BOLT		08 08
20	0511061822	25Z P0.5" GEAR SQUARE HOL		02 02
21	0511061830	17Z P 0.5" GEAR SQUARE HOL		04 04
22	0501069874	GEAR 17Z P 15,87 FQ 3/4		02 02
23	0503012204	40-1 CHAIN X 82 LINK + RED		04 04
24	0503012713	40-1 CHAIN X 45 LINK + MEN		02 02
25	0501054655	CHAIN TENSIONER ASSY		04 04
25A	0531019398	AXLE TENSIONER CHAIN GEAR BOX		04 04
25B	0511017302	FLAT WASHER		04 04
25C	0503010019	1/2" SPRING WASHER		04 04
26	0501010984	FLAT WASHER		02 02
27	0503010025	3/8" SPRING WASHER		02 02
28	0503010256	3/8" X 3/4" BOLT		02 02
29	0503030275	AGRICULTURAL BEARING		02 02
30	0521018630	1.4" X SQUARE 0.8" WASHER		14 14
31	0501010637	FLAT WASHER		04 04
32	0511063105	34Z P 1/2" GEAR SQUARE HOLE 3/4"		02 02



Item	Code	Description	See page	QT
01	0521017590	GUIDE AXLE		01
02	0503010542	501045 CLAMPING RING (FOR AXLE)		01
03	0521017593	FLAT WASHER		01
04	0501019734	FLAT WASHER		02
05	0502011329	14Z GEAR WITH RIGHT DRAGGER		01
06	0503030553	2.3"X 2.5"X 0.2"COMPRESSION SPRING		01
07	0501019735	FLAT WASHER		02
08	0502010710	RIGHT CAM, SMALLER		01
09	0502010711	RIGHT CAM,LARGER		01
10	0502012009	DRIVING AXLE RIGHT FOLLOWER		01
11	0502011996	SLEEVE FIXER		01
12	0503030678	BOLT 1/2 UNC X 1.1/2 CSPC G.5 ZN		01
13	0503010060	1/2" NUT		01
14	0503010003	1845 GREASE FITTING		02



Item	Code	Description	See page	QT
01	0521017590	GUIDE AXLE		01
02	0503010542	501045 CLAMPING RING (FOR AXLE)		01
03	0521017593	FLAT WASHER		01
04	0501019735	FLAT WASHER		01
05	0502011331	LH 14Z P 1.25" GEAR WITH DRAGGER		01
06	0503030553	2.3"X 2.5"X 0.2" COMPRESSION SPRING		01
07	0501019734	FLAT WASHER		02
08	0502010720	RIGHT CAM, SMALLER		01
09	0502010721	LEFT CAM, LARGER		01
10	0502011995	LH DRIVING AXLE FOLLOWER		01
11	0502011996	SLEEVE FIXER		01
12	0503010395	1/2" X 1-1/4" BOLT		01
13	0503010060	1/2" NUT		01
14	0503010003	1845 GREASE FITTING		02



SEED ROW FRONT

0909094355

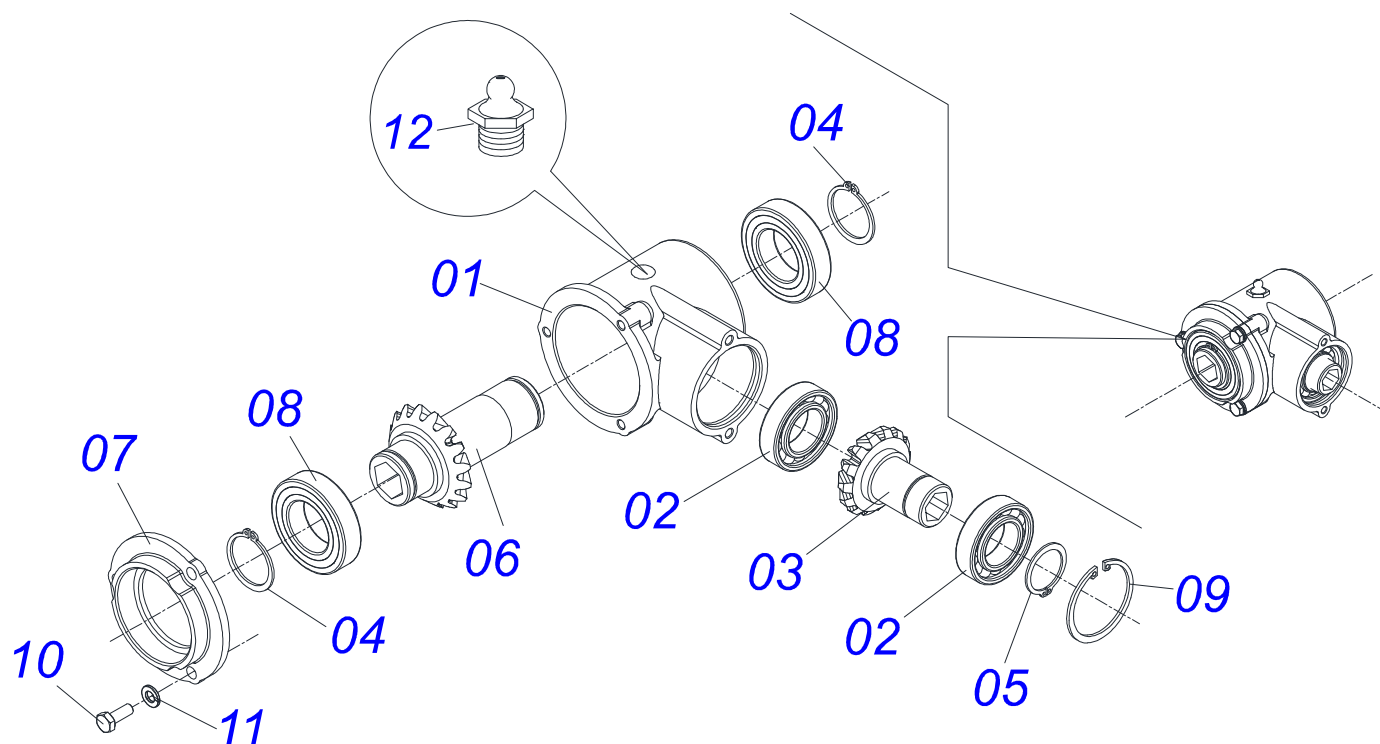
Item	Code	Description	See page	CT LG 07/09LINHAS
00	0501059350	LONG FRONT SEED ROW		01 00
00A	0501059362	LONG SEED ROW FRONT		01 00
00B	0501059349	SHORT SEED ROW FRONT		00 01
00C	0501059361	SHORT SEED ROW FRONT		00 01
01	0521061237	LH SEED ROW SUPPORT FRONT		01 01
02	0521061238	RH SEED ROW SUPPORT FRONT		01 01
03	0502010175	HITCH CLAMP		01 01
04	0501010163	5/8" X 4-1/2" BOLT		02 02
05	0503010027	5/8" SPRING WASHER		02 02
06	0503012412	5/8 UNC SELF LOCKING NUT		02 02
07	0501052769	BEARING WITH 17Z GEAR		01 01
07A	0561017909	17Z GEAR WITH HEX HOLE		01 01
07B	0503010406	501025 CLAMPING RING (FOR AXLE)		01 01
08	0503010365	NUT		04 04
09	0501010694	FLAT WASHER		04 04
10	0503010179	LOCK WASHER		04 04
11	0503010337	5/16" NUT		04 04
12	0531019479	AXLE CHAIN GEAR		01 01
13	0541016454	PULLEY		01 01
14	0503010019	1/2" SPRING WASHER		01 01
15	0521014188	FLAT WASHER		02 02
16	0503010060	1/2" NUT		01 01
17	0503012882	BEARING		02 02
18	0561014904	TRANSMISSION AXLE FRAME LINE		01 01
19	0561017947	17Z GEAR WITH HEX HOLE		01 01
20	0511050073	SEED ROW TRANSMISSION HUB	12	01 01
21	0503011945	503050 CLAMPING RING (FOR AXLE)		02 02
22	0501059327	UNIVERSAL JOINT AXLE		01 00
22A	0561014794	350 AXLE HEX		01 00
22B	0501056296	UNIVERSAL JOINT		01 01
22C	0561016631	HEX AXLE		01 01



## SEED ROW FRONT

0909094355

Item	Code	Description	See page	CT LG 07/09LINHAS
22D	0503011855	0.2" X 1.8" SPRING PIN		02 02
23	0501059326	UNIVERSAL JOINT AXLE		00 01
23A	0561016322	5/8" HEX AXLE		00 01
24	0501059363	5/8" HEX AXLE BEARING		01 01
24A	0502011697	BEARING OF THE GEAR BOX		01 01
24B	0503011410	ROLLER BEARING		01 01
24C	0503011105	SEAL RING		02 02
24D	0561014911	AXLE SLEVE GUIDES HEX		01 01
24E	0503010406	501025 CLAMPING RING (FOR AXLE)		02 02
25	0503010003	1845 GREASE FITTING		04 04
26	0502012666	SEED ROW LOWER ARM		01 01
27	0561015858	SPACER LOWER SLEEVE		01 01
28	0502012350	SEED ROW UPPER ARM		01 01
29	0531015151	0.6" X 1" X 2.4" SLEEVE		08 08
30	0531015184	FLAT WASHER		12 12
31	0501010422	BOLT 5/8 UNC X 6.1/2 CS G.5 ZN		04 04
32	0503010027	5/8" SPRING WASHER		04 04
33	0503012412	5/8 UNC SELF LOCKING NUT		04 04
34	0503030099	1.3" X 4.9" 0.2" TRACTION SPRING		02 02
35	0502012568	UPPER ROCKER ARM		01 01
36	0501011388	COUPLING SHAFT		02 02
37	0503010577	3/16" X 1-1/4" COTTERPIN		01 01
38	0503030168	CUPILLA		01 01
39	0521061850	SPRING UPPER FIXER		01 01
40	0521010773	0.37" X 1.18" COUPLING SHAFT		01 01
41	0503010140	1/8" X 3/4" COTTERPIN		01 01
42	0561019032	SEED FERTIL ROW LOCK		01 01
43	0503013114	40-1 CHAIN X 89 LINK + MENDING		01 01
44	0521061428	CC TIRE ROW FRAME		01 00
45	0521061427	SHORT SEED ROW FRAME		00 01
46	0503010013	5/8" NUT		02 02
47	0503010362	1/8" X 1.1/4" COTTERPIN		01 01



Item	Code	Description	See page	QT
01	0502012465	TRANSMISSION HUB		01
02	0503011410	ROLLER BEARING		02
03	0561016713	PINION CONICAL PLASTIC		01
04	0503010707	501030 CLAMPING RING (FOR AXLE)		01
05	0503010406	501025 CLAMPING RING (FOR AXLE)		01
06	0561016712	16Z CONICAL GEAR PLASTIC		01
07	0502012464	BOX TRANSMISSION COVER		01
08	0503012861	6006 2RS BALL BEARING		02
09	0503011945	503050 CLAMPING RING (FOR AXLE)		01
10	0503011378	M6X1X16 C S 8.8 ZN BOLT		03
11	0503010143	1/4" SPRING WASHER		03
12	0503010003	1845 GREASE FITTING		01



Item	Code	Description	See page	DIR ESQ 07/09LINHAS
00	0511051445	SEED ROW RIGHT REAR		01 00
00A	0511051446	SEED ROW RIGHT FRONT		00 01
00B	0521040111	ASSY DEPTH WHEEL/COMPACTOR SYSTEM		01 01
01	0511051447	CONTROL DEPTH ASSY		01 01
02	0501052538	DEPTH BAND WITH ARMS	16	02 02
03	0503010358	5/16" X 5/8" BOLT		08 08
04	0503013816	5/16" LOCKNUT		08 08
05	0501052908	COMPACTOR WHEEL WITH BEARING	17	02 02
06	0503010706	BOLT 1/2 UNC X 4.1/2 C S G.5 ZN		02 02
07	0521014508	FLAT WASHER		12 12
08	0503011336	1/2" HEX SELF ADJUSTING NUT		02 02
09	0501059648	SEED BOX FIXING BASE		01 01
09A	0502012624	SEED BOX FIXING BASE		01 01
09B	0502012639	12Z LOWER CONICAL GEAR		01 01
09C	0501013354	FLAT WASHER		01 01
09D	0502011418	40Z CONICAL GEAR		01 01
09E	0511018700	AXLE		01 01
09F	0503010002	1800 GREASE FITTING		02 02
10	0503033124	SOCKET SEED		01 01
11	0503015920	3/8" UNC X 1.3/4" BOLT		04 04
12	0503010025	3/8" SPRING WASHER		04 04
13	0503010026	3/8" NUT		04 04
14	0511050809	SEMIFINISHED FAST CLOSING SET		01 01
14A	0541016855	SPEED ??LOCK LEVER ASSY		01 01
14B	0561019318	PRISONER CLOSING FAST		01 01
14C	0551018050	FAST BOLT GUIDE AXLE		02 02
14D	0503010257	1/8" X 1" COTTERPIN		02 02
14E	0561019270	FAST BOLT ADJUSTMENT		01 01
15	0501059631	DDD SEED 15 X 15 RIGHT		01 00
16	0501059632	DDD SEED 15X15 LEFT		00 01
17	0503010740	BOLT 1/2 UNC X 2 CS G.5 ZN		02 02





REAR SEED ROW

0909094356

Item	Code	Description	See page	DIR ESQ 07/09LINHAS
18	0503011440	SPRING WASHER		02 02
19	0503010060	1/2" NUT		02 02
20	0501052820	SEED SYSTEM ASSY		01 01
21	0503010547	1/2" X 4" BOLT		02 02
22	0503011336	1/2" HEX SELF ADJUSTING NUT		02 02

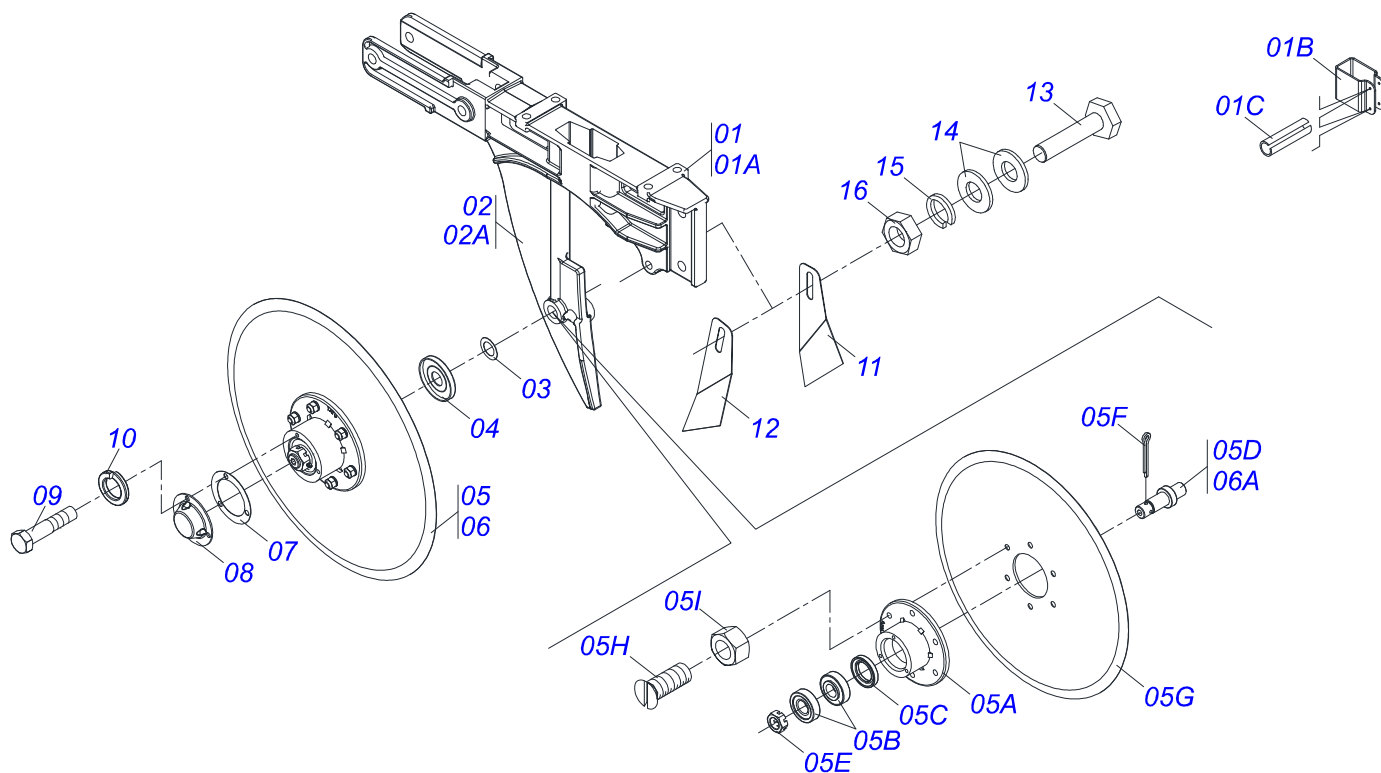




COP CA - 07/09 LINES  
DEPTH CONTROL ASSY

Page 14  
0909093296

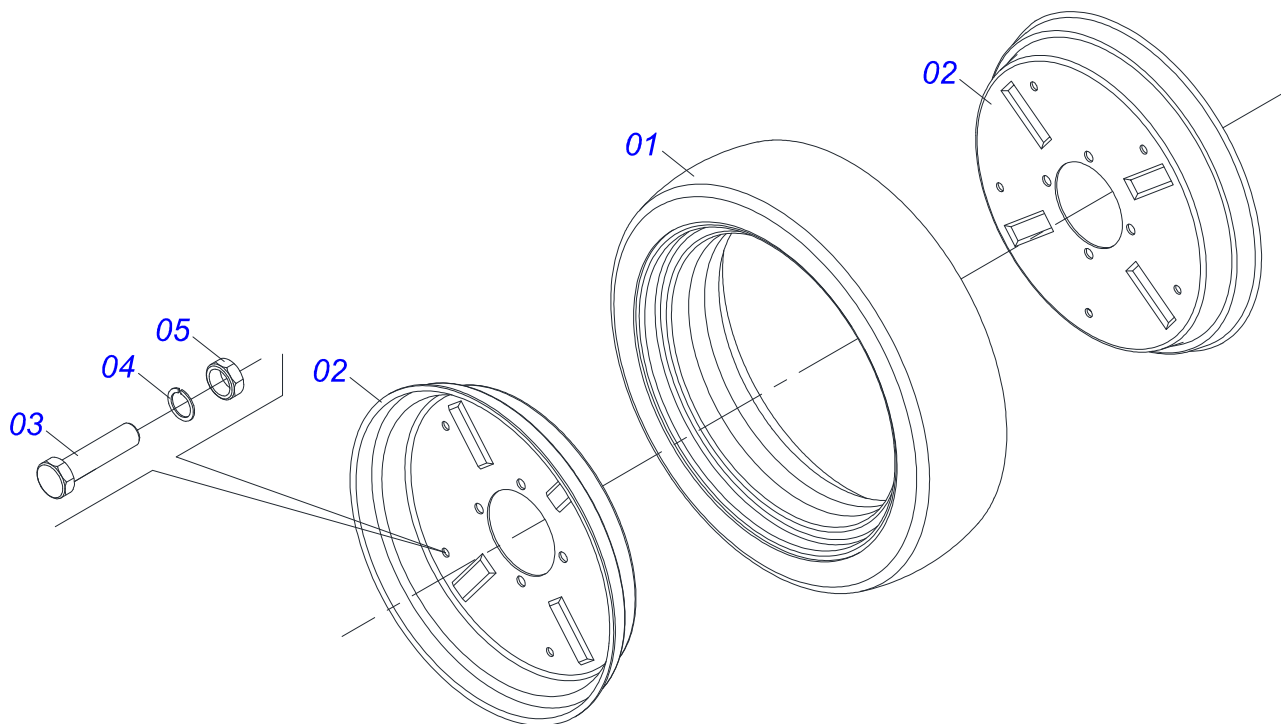
Item	Code	Description	See page	QT
10	0501052297	DEPTH WHEELS REGULATOR ASSY		01 01
10A	0502011689	1/8" DEPTH CONTROL LEVER		01 01
10B	0503030975	0.9" X 1.5" X 0.1" SPRING		01 01
10C	0502011688	SEED SIST CONTROL DEPTH LEVER		01 01
10D	0511015976	FLAT WASHER		01 01
10E	0503010257	1/8" X 1" COTTERPIN		01 01
10F	0511060699	DEPTH WHEEL STOP		01 01
10G	0503010071	3/16" X 1" COTTERPIN		01 01
11	0521019093	0.6" X 2.7" PIVOT SHAFT		01 01
12	0503010257	1/8" X 1" COTTERPIN		01 01
13	0501052538	DEPTH BAND WITH ARMS	16	02 02
13A	0503030551	DEPTH CONTROL WHEEL RUBBER BAND		01 01
13B	0521010832	RIM FLANGE		02 02
13C	0503010298	1/4" X 1/2" BOLT		05 05
13D	0503010143	1/4" SPRING WASHER		05 05
13E	0503010144	1/4" NUT		05 05
14	0503010358	5/16" X 5/8" BOLT		08 08
15	0503013816	5/16" LOCKNUT		08 08



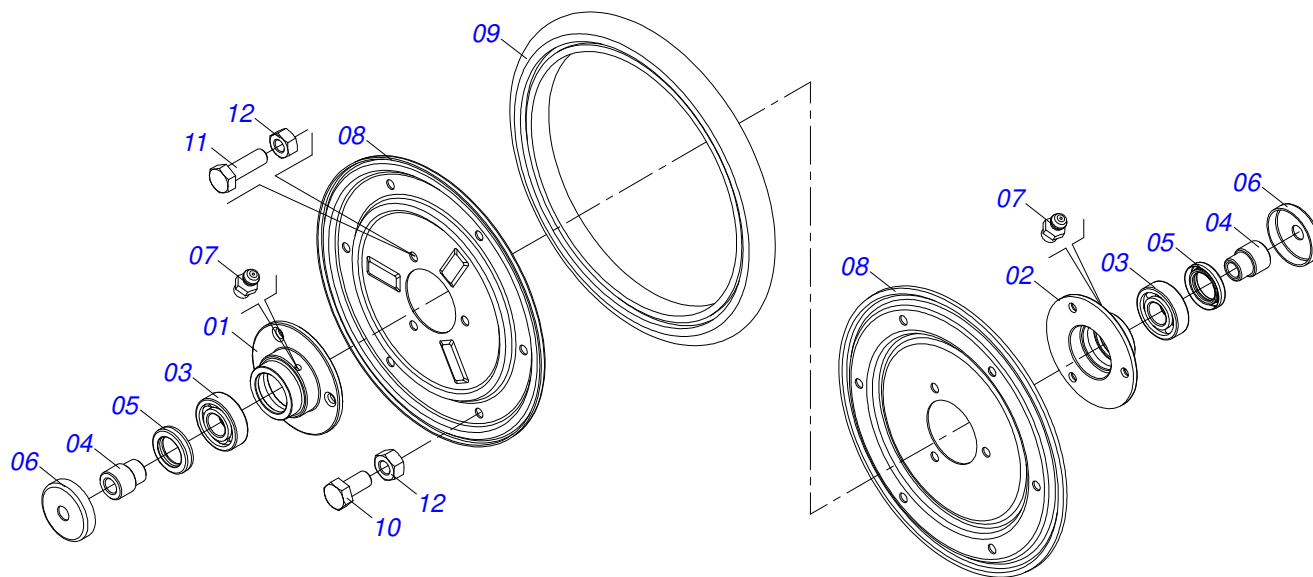
Item	Code	Description	See page	DIR	ESQ
00	0501059631	DDD SEED 15 X 15 RIGHT		01	00
00A	0501059632	DDD SEED 15X15 LEFT		00	01
01	0511052301	SUPPORT DDD 15 RIGHT		01	00
01A	0561015591	15"X15" RIGHT DOUBLE DISC SUPPORT		01	00
01B	0571012491	SOCKET SEED GUIDE		01	01
01C	0503010838	0.1" X 0.8" SPRING PIN		02	02
02	0511052302	LH SUPPORT DDD GUIDE		00	01
02A	0561015592	LEFT DOUBLE DISC SUPPORT		00	01
03	0511015098	FLAT WASHER		06	06
04	0511011927	DUST CLOAK		02	02
05	0501054167	BOX DDD ASSY DPL 15 RIGHT		01	00
05A	0502011930	DOUBLE DISC COULTER BOX		02	02
05B	0503010598	30204 BALL BEARING		04	04
05C	0503011112	SEAL 02376-BRG		02	02
05D	0521019154	RIGHT DOUB DISC HUB		01	00
05E	0503030282	3/4" CASTLE NUT		02	02
05F	0503010257	1/8" X 1" COTTERPIN		02	02
05G	0603022042	13" X 0.12" PLAIN COULTER BLADE		02	02
05H	0503010546	5/16" X 7/8" BOLT		12	12
05I	0503010337	5/16" NUT		12	12
06	0501054168	BOX DDD ASSY DPL 15 LEFT		00	01
06A	0521019148	LEFT DOUBLE DISC HUB		00	01
07	0503030757	2.9" X 2" X 0.02" JOINT		02	02
08	0521019178	COVER DEPTH		02	02
09	0503014729	1/4" UNF X 1/2" BOLT		06	06
10	0503011441	SPRING WASHER		06	06
11	0561010264	RH DOUBLE DISC SCRAPER - STARTING 04/18		01	01
12	0561010265	LH DOUBLE DISC SCRAPER - STARTING 04/18		01	01
13	0503010751	C3/8" X 1.1/4" HEX BOLT G.5		01	01
14	0501010984	FLAT WASHER		02	02
15	0503011443	3/8" SPRING WASHER		01	01



Item	Code	Description	See page	DIR	ESQ
16	0503010026	3/8" NUT		01	01



Item	Code	Description	See page	QT
01	0503030551	DEPTH CONTROL WHEEL RUBBER BAND		01
02	0521010832	RIM FLANGE		02
03	0503010298	1/4" X 1/2" BOLT		05
04	0503010143	1/4" SPRING WASHER		05
05	0503010144	1/4" NUT		05



Item	Code	Description	See page	QT
01	0502011919	PRESS WHEEL HUB		01
02	0502011877	PRESS WHEEL HUB		01
03	0503010269	6204 BALL BEARING		02
04	0521018922	PRESS WHEEL PASSANG AXLE		02
05	0503012734	SEAL 01556 BR		02
06	0521018921	DUST CLOAK		02
07	0503010691	1/4" GREASE FITTING		01
08	0521018928	PRESS WHEEL RIM		02
09	0503031421	DEPTH CONTROL WHEEL RUBBER BAND		01
10	0503010011	5/16" X 1/2" BOLT		06
11	0503010358	5/16" X 5/8" BOLT		03
12	0503013816	5/16" LOCKNUT		03



Item	Code	Description	See page	07 09 LINHAS
01	0511048339	24" BLADE DISC ASSY	21	01 01
02	0521061326	BLADE DISC AXLE SUPPORT		01 01
03	0521061407	ROW FERTILIZER SUPPORT		01 01
04	0503011084	3/4" X 5" BOLT		04 04
05	0511017305	FLAT WASHER		04 04
06	0503010023	3/4" SPRING WASHER		04 04
07	0503011075	3/4" UNC NUT		04 04
08	0511063862	FERTILIZER ROW UPPER SUPPORT		01 01
09	0511065857	FERTILIZER ROW LOWER SUPPORT		01 01
10	0511065837	FERTILIZER ROW REAR SUPPORT		01 01
11	0531019990	BLADE D ARM ARTIC SLEEVE		02 02
12	0501110640	SCARIFIER SPINDLE		01 01
13	0561015594	INNER SOCKET FASTENER		01 01
14	0503030392	LEFT FERTILIZER NOZZLE		01 01
15	0561015611	BEATER SLEEVE		02 02
16	0521016057	COUP SHA OF THE CARRY-W SPRING GUI		02 02
17	0511061796	SPRING GUIDE		01 01
18	0521011158	SPRING LOCKNUT		01 01
19	0521018575	REGULATOR SPINDLE 100		01 01
20	0502020393	SPRING UPPER SUPPORT		02 02
21	0503031450	2.7" X 9.2" X 0.03" SPRING		01 01
22	0511016156	BOLT 5/8 UNC X1.1/2 CS PC G.5 ZN		02 02
23	0503010233	5/8" X 2-1/2" BOLT		02 02
24	0531016031	1/2" SPRING WASHER		06 06
25	0503010027	5/8" SPRING WASHER		03 03
26	0503010013	5/8" NUT		03 03
27	0501010452	5/8" X 5" BOLT		01 01
28	0531016207	0.6" X 1" X 2.8" SLEEVE		02 02
29	0503010246	CLAMP		01 01
30	0503011123	BOLT		01 01
31	0501010984	FLAT WASHER		02 02





**COP CA - 07/09 LINES**  
**SHORT FERTILIZER ROW COP CA**

Item	Code	Description	See page	07 09 LINHAS
32	0503010025	3/8" SPRING WASHER		01 01
33	0503010026	3/8" NUT		01 01
34	0503010257	1/8" X 1" COTTERPIN		01 01
35	0503010752	1/2" X 3.1/2" BOLT		02 02
36	0503010019	1/2" SPRING WASHER		02 02
37	0503010060	1/2" NUT		02 02
38	0503010751	C3/8" X 1.1/4" HEX BOLT G.5		02 02
39	0501010984	FLAT WASHER		04 04
40	0503010025	3/8" SPRING WASHER		02 02
41	0503010026	3/8" NUT		02 02
42	0511017969	0.1" SPACING PLATE		02 02
43	0503010002	1800 GREASE FITTING		03 03
44	0503031076	2" HOSE CLAMP		18 18
45	0503030408	2X2X390 HOSE		09 09
46	0503031050	CURVED CONDUCTOR		09 09
47	0503010246	CLAMP		09 09



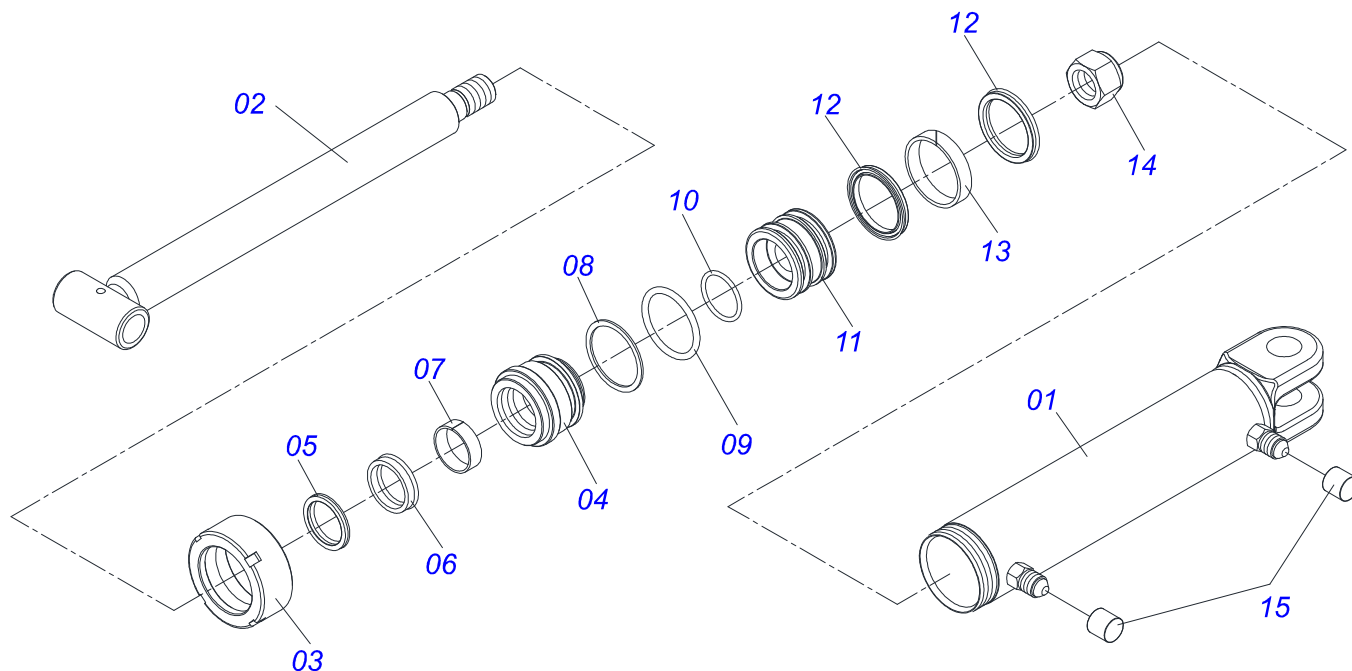
Item	Code	Description	See page	07 09 LINHAS
01	0511048339	24" BLADE DISC ASSY	21	01 01
02	0521061327	DISC BLADE AXLE SUPPORT		01 01
03	0511065286	LONG FERTILIZER ROW SUPPORT		01 01
04	0501011543	5/8" X 4" BOLT		02 02
05	0502012400	ROW FERTILIZER FIXER		01 01
06	0503010233	5/8" X 2-1/2" BOLT		02 02
07	0503012412	5/8 UNC SELF LOCKING NUT		02 02
08	0511063862	FERTILIZER ROW UPPER SUPPORT		01 01
09	0511065857	FERTILIZER ROW LOWER SUPPORT		01 01
10	0511065837	FERTILIZER ROW REAR SUPPORT		01 01
11	0531019990	BLADE D ARM ARTIC SLEEVE		02 02
12	0501110640	SCARIFIER SPINDLE		01 01
13	0561015594	INNER SOCKET FASTENER		01 01
14	0503030392	LEFT FERTILIZER NOZZLE		01 01
15	0561015611	BEATER SLEEVE		02 02
16	0521016057	COUP SHA OF THE CARRY-W SPRING GUI		02 02
17	0511061796	SPRING GUIDE		01 01
18	0521011158	SPRING LOCKNUT		01 01
19	0521018575	REGULATOR SPINDLE 100		01 01
20	0502020393	SPRING UPPER SUPPORT		02 02
21	0503031450	2.7" X 9.2" X 0.03" SPRING		01 01
22	0511016156	BOLT 5/8 UNC X1.1/2 CS PC G.5 ZN		02 02
23	0503010233	5/8" X 2-1/2" BOLT		02 02
24	0531016031	1/2" SPRING WASHER		06 06
25	0503010027	5/8" SPRING WASHER		03 03
26	0503010013	5/8" NUT		03 03
27	0501010452	5/8" X 5" BOLT		01 01
28	0531016207	0.6" X 1" X 2.8" SLEEVE		02 02
29	0503010246	CLAMP		01 01
30	0503011123	BOLT		01 01
31	0501010984	FLAT WASHER		02 02



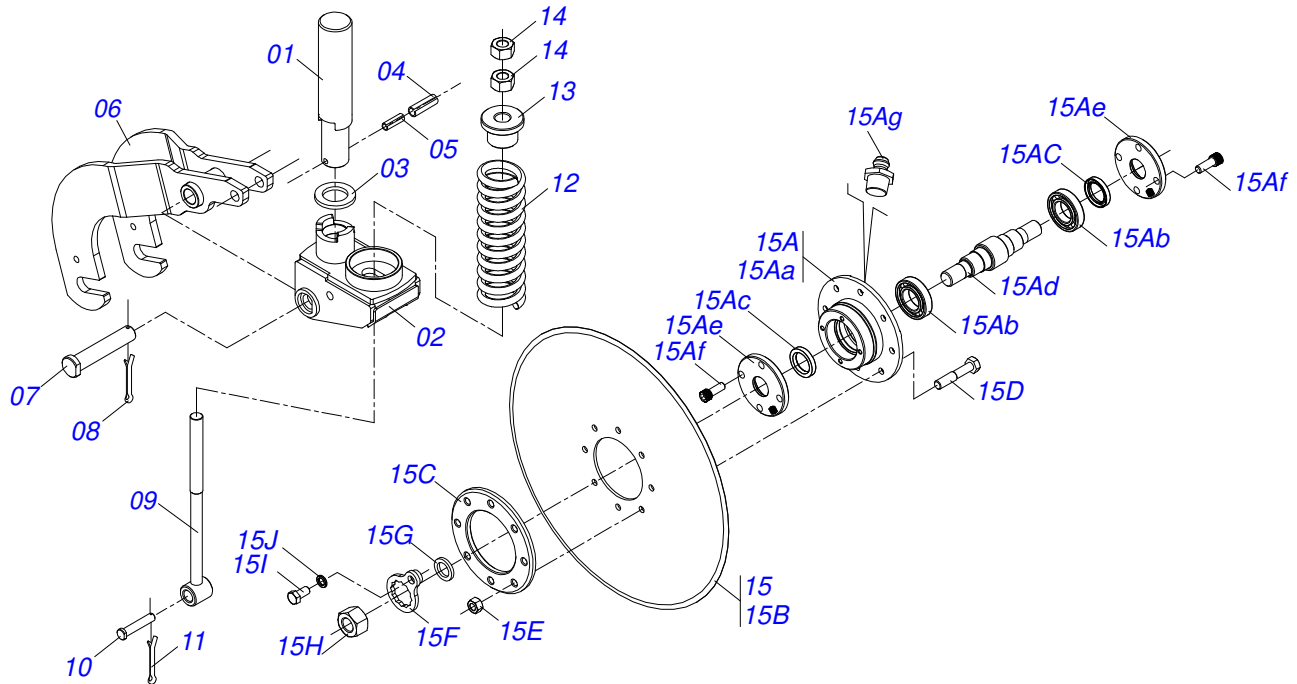
**COP CA - 07/09 LINES**  
**LONG ROW FERTILIZER**

Page 19  
0909093281

Item	Code	Description	See page	07 09 LINHAS
32	0503010025	3/8" SPRING WASHER		01 01
33	0503010026	3/8" NUT		01 01
34	0503010257	1/8" X 1" COTTERPIN		01 01
35	0503010752	1/2" X 3.1/2" BOLT		02 02
36	0503010019	1/2" SPRING WASHER		02 02
37	0503010060	1/2" NUT		02 02
38	0503010751	C3/8" X 1.1/4" HEX BOLT G.5		02 02
39	0501010984	FLAT WASHER		04 04
40	0503010025	3/8" SPRING WASHER		02 02
41	0503010026	3/8" NUT		02 02
42	0511017969	0.1" SPACING PLATE		02 02
43	0503010002	1800 GREASE FITTING		03 03
44	0503031076	2" HOSE CLAMP		18 18
45	0503030408	2X2X390 HOSE		01 01
46	0503031050	CURVED CONDUCTOR		01 01



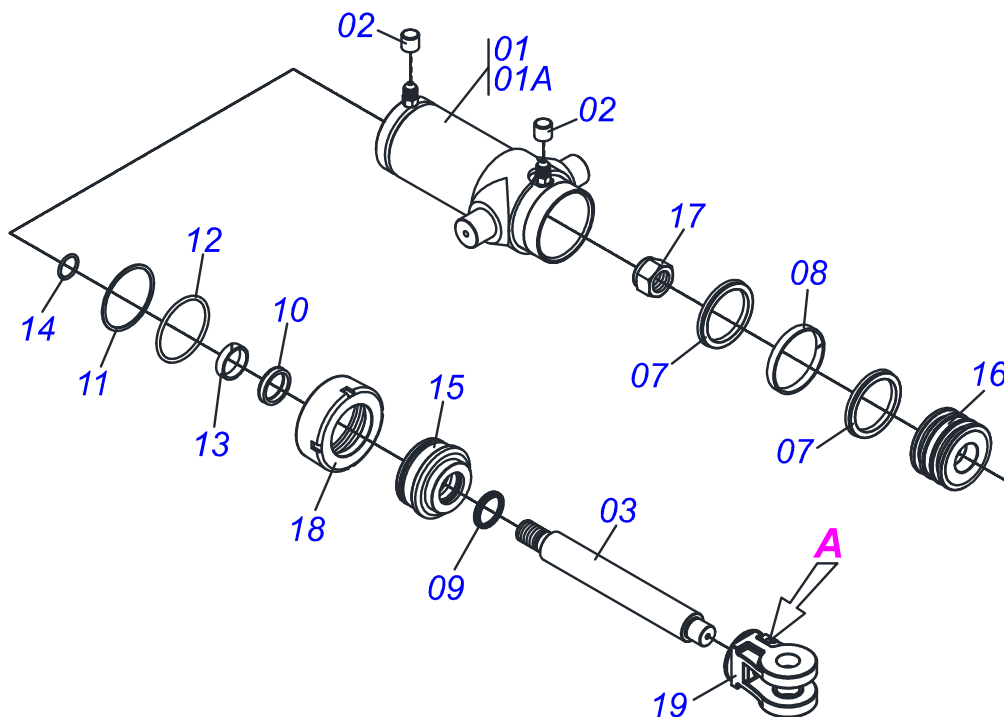
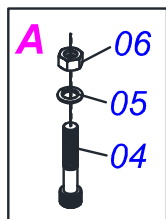
Item	Code	Description	See page	QT
01	0511062810	2.5" X 15"CYLINDER CASE		01
02	0501065662	HYDRAULIC CYLINDER TURNBUCKLE		01
03	0502010471	MOBILE COVER		01
04	0502010780	RING SUPPORT		01
05	0503010163	D-1500 SCRAPER RING		01
06	0503010989	1870-1500-375-B GASKET		01
07	0503010970	W1-1650-500 PK O'RING G.E		01
08	0503011058	8-330 BACK-UP RING		01
09	0503010161	2-330 N 3006 9B O'RING		01
10	0503010285	2-222 N 3006-9B O'RING		01
11	0502010783	1.5" X 2.5" PISTON		01
12	0503010160	2500 2000 GASKET		02
13	0503010973	W2-2500-500 PK O'RING G.E		01
14	0503010063	1" SELF-ALIGNING NUT		01
15	0503030384	CON PLUG N-001		02
16	0501032666	HYDRAULIC CYLINDER REPAIR KIT		01



Item	Code	Description	See page	QT
01	0561015334	BLADE DISC AXLE ASSY		01
02	0521061328	SWIVEL BASE		01
03	0561015610	FLAT WASHER		01
04	0503010361	SPRING PIN		01
05	0503010756	0.2" X 2.4" SPRING PIN		01
06	0521062418	BLADE DISC FORK		01
07	0561015339	BLADE DISC AXLE ASSY		01
08	0503010010	1/4" X 2.1/2" COTTERPIN		01
09	0501069390	SPRING ROD		01
10	0561019515	COUPLING SHAFT		01
11	0503010571	1/4" X 1.1/2 COTTERPIN		01
12	0503031346	COMPRESSION SPRING		01
13	0561015400	BLADE DISC SPRING GUIDE		01
14	0503014018	1" NUT		01
15	0511050746	24" BLADE DISC ASSY		01
15A	0501057526	DISC HUB		01
15Aa	0502011478	DISC HUB		01
15Ab	0503011291	6209 BALL BEARING		02
15Ac	0503012106	00521-BR RETAINER		02
15Ad	0521012661	BLADE DISC AXLE HUB		01
15Ae	0502011477	BLADE DISC HOUSIG CP		02
15Af	0503010134	3/8" X 1" BOLT		08
15Ag	0503010002	1800 GREASE FITTING		01
15B	0603030044	24" X 0.2" FLAT PLAIN DISC		01
15C	0521011824	BLADE DISC FLANGE OUTER		01
15D	0503011172	BOLT 1/2 UNC X 2.1/2 C S G.5 ZN		08
15E	0503010060	1/2" NUT		16
15F	0501069637	AXLE NUT LOCK		02
15G	0521012664	FLAT WASHER		02
15H	0501010087	1.1/4" NUT		02
15I	0503010962	5/8" X 1-1/4" BOLT		02



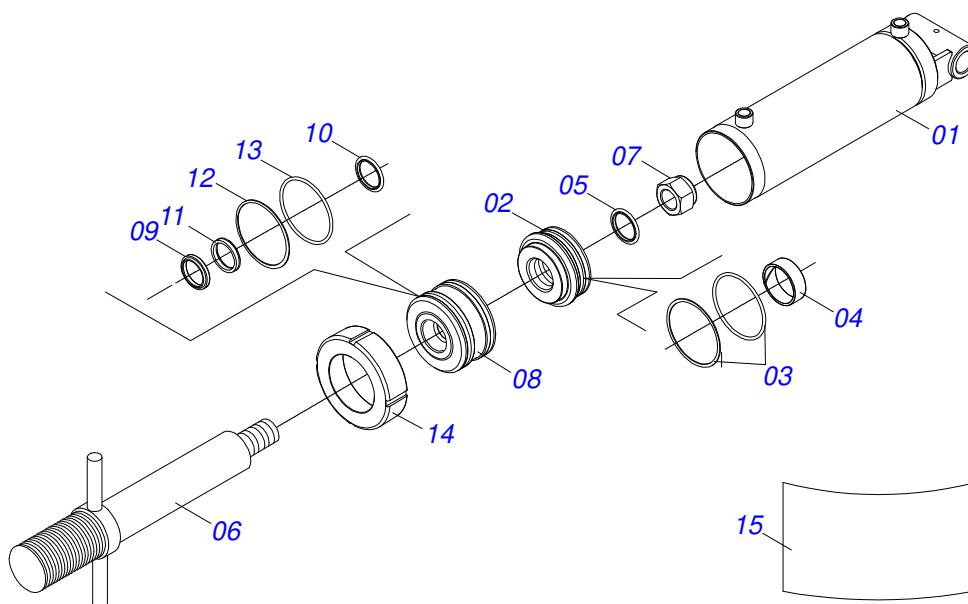
Item	Code	Description	See page	QT
15J	0503010027	5/8" SPRING WASHER		02



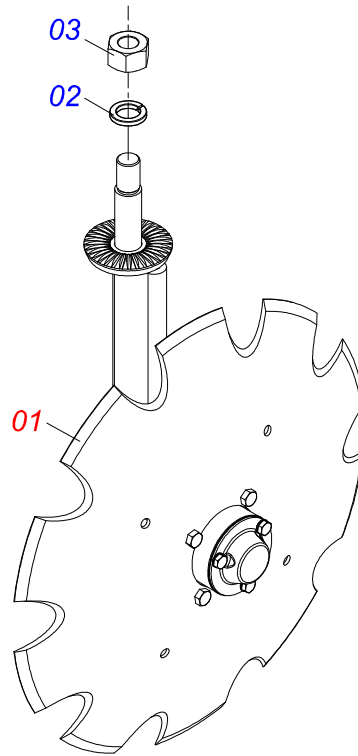
Item	Code	Description	See page
01	0511043969	44,45 X 101,6 HYDRAULIC CYLINDER	22
01A	0511066774	2.5" X 28" CYLINDER CASE	
02	0503030385	CYLINDER PLUG N-002	
03	0541017674	TURNBUCLE BODY	
04	0503011094	3/8" X 2" BOLT	
05	0503010025	3/8" SPRING WASHER	
06	0503010026	3/8" NUT	
07	0503010043	PACKING 3750-3250	
08	0503010994	W2-4000-500 PK RING G.E	
09	0503010761	D-1750 SCRAPER RING	
10	0503010990	GASKET	
11	0503011061	8-342 BACK-UP RING	
12	0503010338	2-342 N 3006-9B O'RING	
13	0503010949	W2-2000-500 PK RING G.E	
14	0503010345	2-218 N 3006-9B O'RING	
15	0502010841	RING OF SUPPORT	
16	0502010793	1.7" X 4" PISTON	
17	0503010817	1.1/4" SELF LOCKING NUT	
18	0502010017	4" HEAD	
19	0511064408	FORK	

Item	Code	Description	See page	07 09 LINHAS
01	0521062404	OIL TUBE		04 00
02	0521061340	OIL TUBE		00 04
03	0502010477	HOSE CLAMP		06 06
04	0503010765	3/8" X 3" BOLT		06 06
05	0501010984	FLAT WASHER		06 06
06	0503010025	3/8" SPRING WASHER		06 06
07	0501054452	FLOW DIVIDING VALVE		01 01
07A	0503012481	FLOW DIVIDING VALVE		01 01
07B	0503010190	2-114 N 3006-9B O'RING		03 03
07C	0501010617	3/4" NIPPLE		02 02
07D	0501011460	7/8 NF REDUCTION NIPPLE		01 01
08	0503010373	SCREW 1/4 UNC X 2 CS G.2 ZN		02 02
09	0501010694	FLAT WASHER		04 04
10	0503010143	1/4" SPRING WASHER		02 02
11	0503010144	1/4" NUT		02 02
12	0521061341	TUBE		01 01
13	0503011088	3/8" X 1-1/4" BOLT		02 02
14	0503010026	3/8" NUT		02 02
15	0503012341	T 7/8" ADAPOR GIRAT NUT		02 02
16	0501080933	HOSE 1/2 X 4200 TR-TM		02 02
17	0501080116	TR-TM HOSE ASSY		01 01
18	0501080182	1/2" X 850 TR-TM HOSE ASSY		01 01
19	0501080396	3/8" X 45" HOSE		02 02
20	0501080687	3/8 X 1150 TC-TC HOSE ASSY		02 02
21	0501080054	3/8" X 17" TR-TC HOSE ASSY		04 04
22	0501053834	MALE QUICK COUPLER		04 04
23	0511041864	2 X 4.48 X 16.3 HYDRAULIC CYLINDER	24	01 01
24	0511043969	44,45 X 101,6 HYDRAULIC CYLINDER	22	02 02





Item	Code	Description	See page	07
01	0511064908	4.5" X 25.4" CYLINDER CASE	01	
02	0502011221	2.0" X 4.5" PISTON	01	
03	0503011890	3750-3750 GASKET	02	
04	0503011891	W2-4500-500 RING G.E	01	
05	0503010345	2-218 N 3006-9B O'RING	01	
06	0511064909	2" X 14.4" TURNBUCLE	01	
07	0503010817	1.1/4" SELF LOCKING NUT	01	
08	0502011220	2" X 4.5" RING SUPPORT	01	
09	0503010952	W2-2250-500 RING	01	
10	0503010991	1870-2000-375-B GASKET	01	
11	0503010039	D-2000 SCRAPER RING	01	
12	0503011892	O' RING, 2-346 N 3006-9B	01	
13	0503011893	BACK-UP RING, 8-346	01	
14	0502011222	0.56" END CAP	01	
15	0501032513	HYDRAULIC CYLINDER REPAIR KIT	01	

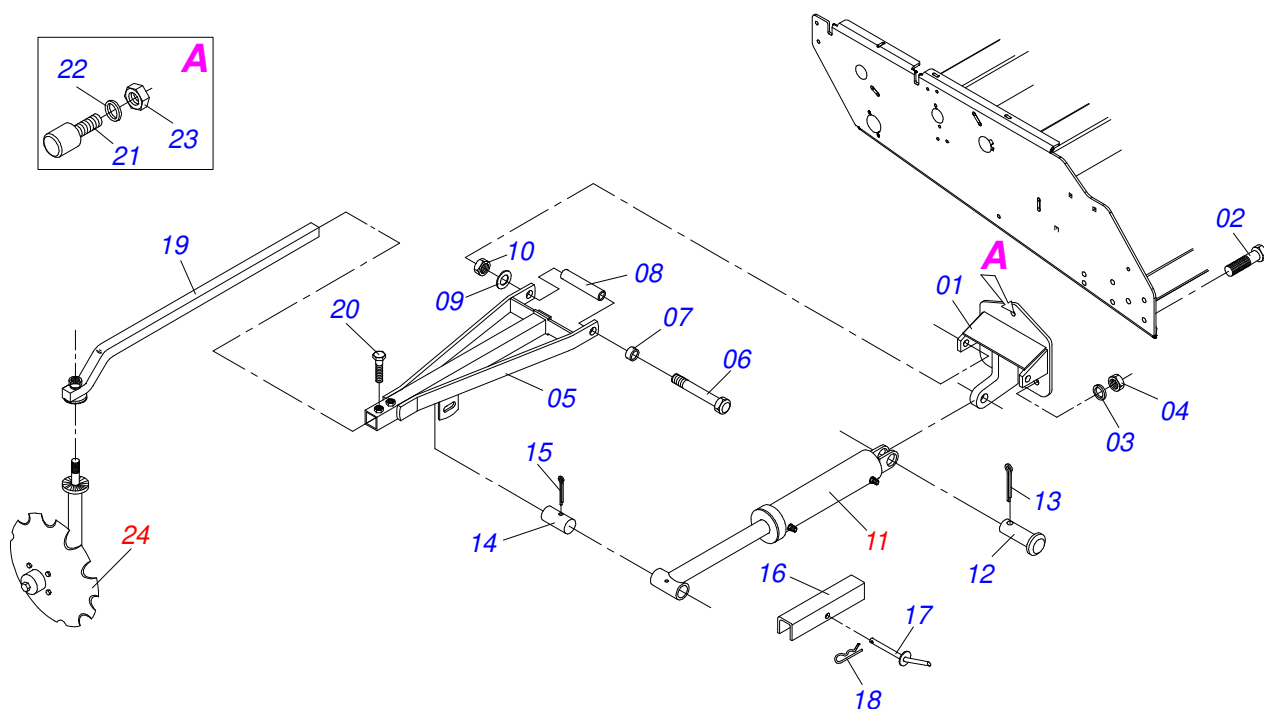


Item	Code	Description	See page	QT
01	0511053904	ROW MARKER DISC		01
02	0503010023	3/4" SPRING WASHER		01
03	0503010014	3/4" NUT		01

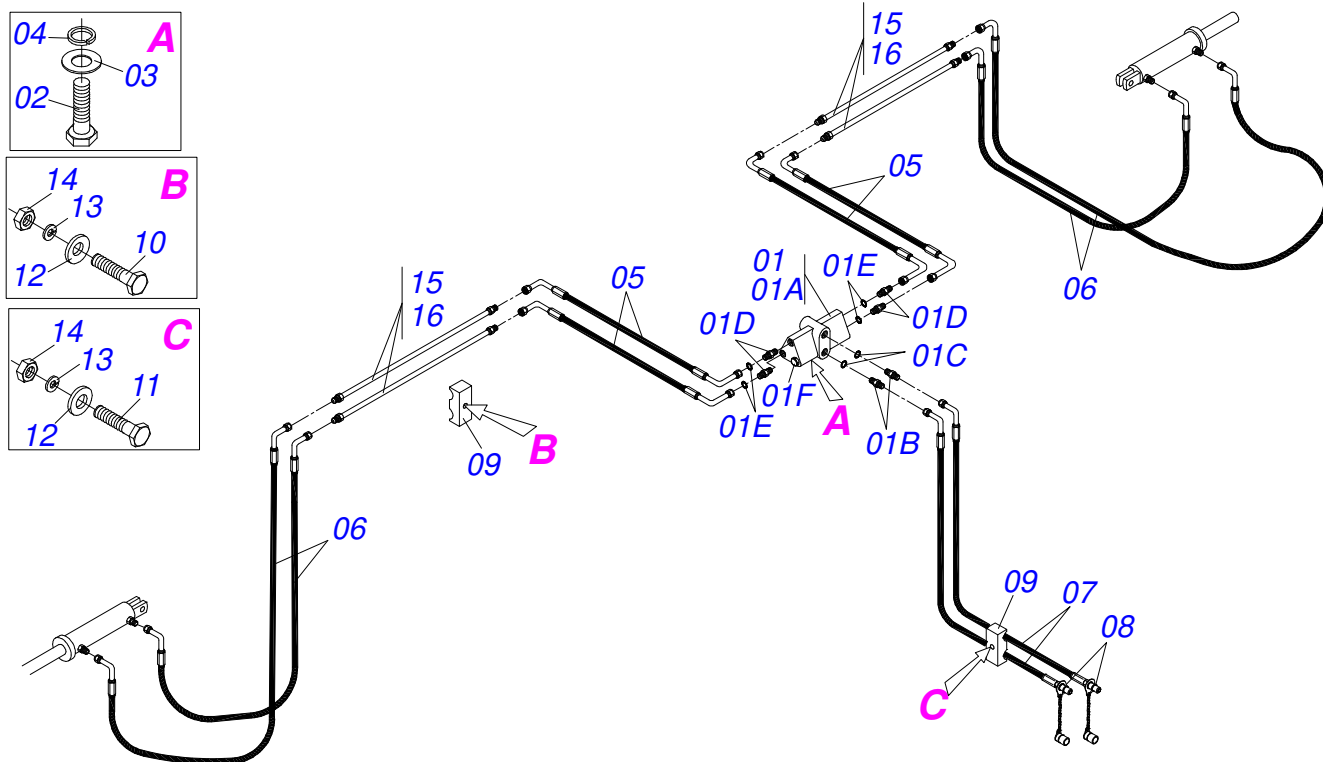
Item	Code	Description	See page	07 09 LINHAS
00	0501052820	SEED SYSTEM ASSY		01 01
01	0502020324	SEED BOX SUPPORT		01 01
02	0503060516	SEED BOX WITH SMALLER CAP		01 01
03	0531010631	SEED BEAM CLAMP		04 04
04	0503010295	SCREW 5/16 UNC X 5/8 CS G.2 ZN		04 04
05	0501010694	FLAT WASHER		04 04
06	0503010179	LOCK WASHER		04 04
07	0501051094	ASSY SEED DISTRIBUTOR		01 01
07A	0503030381	SEED DISTRIBUTOR BOX		01 01
07B	0502010447	TRIGGER		01 01
07C	0501013467	KEY AXLE		01 01
07D	0503030378	0.4" X 1.1" X 0.03" SPRING		01 01
07E	0501013466	KEY LIMITER AXLE		01 01
07F	0501051119	DOUBLE PULLEY ROCKER'S		01 01
07Fa	0503031129	DOUBLE PULLEY ROCKER ARM		01 01
07Fb	0503031128	5Z PLASTIC DOUB PULLEY FOR SOYBEAN		02 02
07Fc	0521010649	TOOTH PULLEY COUPLING SHAFT		01 01
07Fd	0503011853	503050 CLAMPING RING (FOR HOLE)		01 01
07G	0501013468	ROCKER ARM AXLE, OF THE PULLEY		01 01
07H	0503030377	SCRAPER		01 01
08	0503010675	5/16" X 2.1/4" BOLT		01 01
09	0503010337	5/16" NUT		01 01
10	0502010408	SEED DISC LOWER TRAIL		01 01
11	0521010536	0.3" X 3.8" COUPLING SHAFT		01 01
12	0503010140	1/8" X 3/4" COTTERPIN		01 01
13	0503030083	3/8" X 3/8" X 1.6" STUD		01 01
14	0503010025	3/8" SPRING WASHER		01 01
15	0503010209	3/8" UNC BUTTERFLY NUT		02 02
16	0503016217	SOYBEAN SEED DISC 34 OBLONG		01 01
17	0503016204	CORN DISK 12 ORANGE		01 01
18	0503016218	DISC OF SOYBEAN		01 01



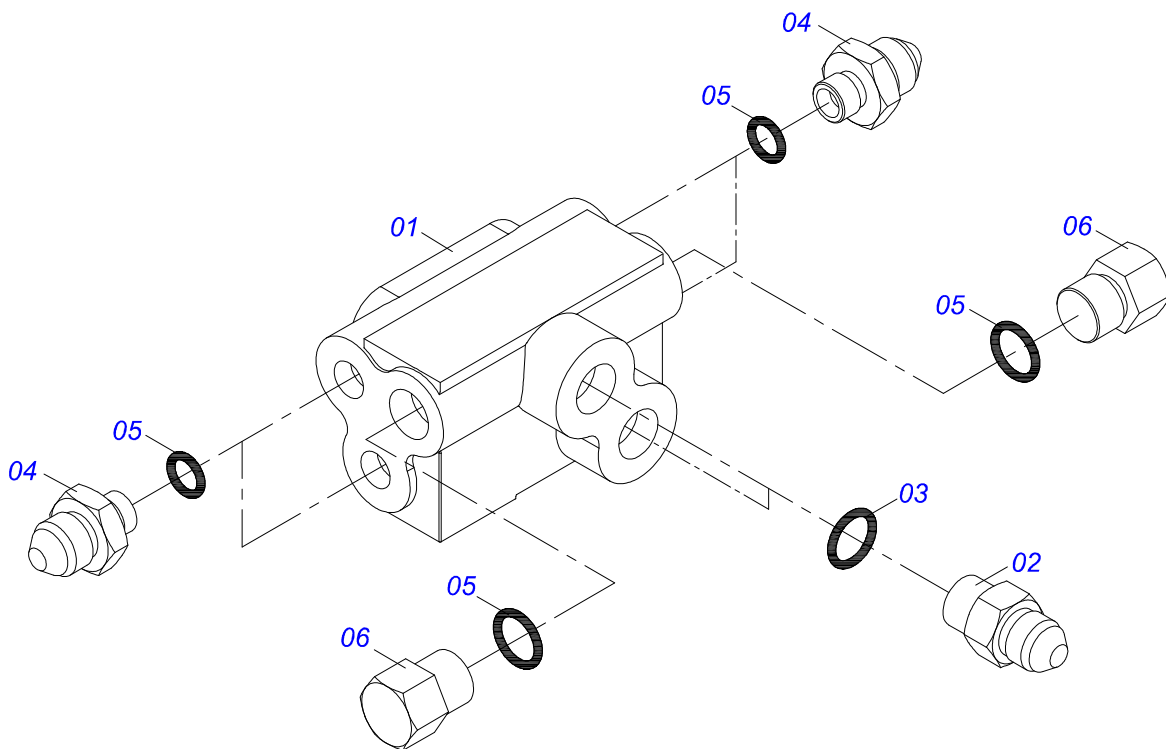
Item	Code	Description	See page	07 09 LINHAS
19	0503016219	RING TO SOYBEANS		01 01
20	0503016214	RING CORN (APOLLO740)		01 01
21	0503016220	RING TO SOYBEANS (APOLLO 745)		01 01
22	0503016221	RING TO SOYBEANS (APOLLO 571)		01 01
23	0503010025	3/8" SPRING WASHER		02 02
24	0511013590	HEX STUD 3/8" X 3/8"		01 01
25	0511013494	DEFLECTOR		01 01
26	0501050120	LARGER WALKING BEAM ASSY		01 01
26A	0503030379	LARGER ROCKER ARM		01 01
26B	0502060001	PLASTIC PULLEY FOR MAIZE		01 01
26C	0503010803	SCREW 3/16 UNC X 3/4 CAF G.2 ZN		01 01
26D	0503010669	FLAT WASHER		01 01
26E	0503010667	3/16" NUT		02 02
27	0503030558	PULLEY 4Z CORN PLASTIC		01 01



Item	Code	Description	See page	07 09 LINHAS
01	0511065449	ROW MARKER ARM SUPPORT		02 02
02	0501018059	3/4" X 2-1/4" BOLT		08 08
03	0503010023	3/4" SPRING WASHER		08 08
04	0503011255	3/4" LOCK NUT		08 08
05	0501069470	ROW MARKER ARM		02 02
06	0521061655	BOLT 5/8 UNC X 320 MM		02 02
07	0521010479	SLEEVE ARTICULATION		04 04
08	0521017687	SPACING SLEEVE		02 02
09	0501012140	FLAT WASHER		04 04
10	0503012795	5/8" HEX SELF ADJUSTING NUT		04 04
11	0511040203	1.5" X 2.5" X 19" X 9" HYDRAULIC CYLINDER	20	02 02
12	0521010575	C0.9" X 3.3" COUPLING SHAFT		02 02
13	0503010571	1/4" X 1.1/2 COTTERPIN		02 02
14	0511015779	1" X 4.2" AXLE		02 02
15	0503010523	1/4" X 2" COTTERPIN		02 02
16	0511017592	11.8" X 1.6" TRANSPORT LOCK		02 02
17	0501068994	0.3" X 3.1" LOCK PIN		02 02
18	0503030168	CUPILLA		02 02
19	0501069643	890 TURNBUCKLE		02 02
20	0503010962	5/8" X 1-1/4" BOLT		04 04
21	0503011070	BEATER		02 02
22	0503010019	1/2" SPRING WASHER		02 02
23	0503010060	1/2" NUT		02 02
24	0501050633	ROW MARKER DISK ASSEMBLY	25	02 02



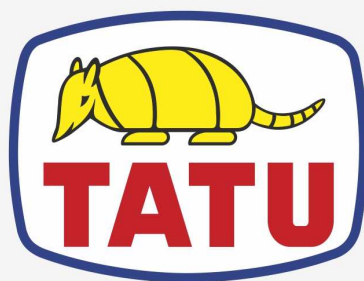
Item	Code	Description	See page	07	09	LINHAS
01	0501054649	HBM SEQUENTIAL VALVE	29	01	01	
01A	0503060132	VDFS-002 T SEQUENCAL VALVE		01	01	
01B	0501010617	3/4" NIPPLE		02	02	
01C	0503010190	2-114 N 3006-9B O'RING		02	02	
01D	0501012109	3/4" X 9/16" NIPPLE		04	04	
01E	0503011036	2-111 N 3006-9B O'RING		06	06	
01F	0531019339	9/16" UNF X 12 PUMP		02	02	
02	0503010371	5/16" X 1" BOLT		02	02	
03	0501010694	FLAT WASHER		02	02	
04	0503010179	LOCK WASHER		02	02	
05	0501080687	3/8 X 1150 TC-TC HOSE ASSY		04	04	
06	0501080793	3/8" X 1500 TC-TC HOSE		04	04	
07	0501080878	3/8 X 4200 TC-TM HOSE ASSY		02	02	
08	0501053834	MALE QUICK COUPLER		02	02	
09	0502010477	HOSE CLAMP		04	04	
10	0501010096	3/8" X 2" BOLT		02	02	
11	0503011268	3/8" X 2-1/2" BOLT		02	02	
12	0501010984	FLAT WASHER		04	04	
13	0503010025	3/8" SPRING WASHER		04	04	
14	0503010026	3/8" NUT		04	04	
15	0521062404	OIL TUBE		04	00	
16	0521061340	OIL TUBE		00	04	



Item	Code	Description	See page	QT
01	0503060132	VDFS-002 T SEQUENCAL VALVE		01
02	0501010617	3/4" NIPPLE		02
03	0503010190	2-114 N 3006-9B O'RING		02
04	0501012109	3/4" X 9/16" NIPPLE		04
05	0503011036	2-111 N 3006-9B O'RING		06
06	0531019339	9/16" UNF X 12 PUMP		02







**MARCHESAN**

**Technical Publications | Elaboration and Revision**

ALESSANDRA PATRICIA KAWAHARA CARRILI

[www.marchesan.com.br](http://www.marchesan.com.br)

