

# PARTS CATALOGUE



## ROW CROP PLANTERS

**Code:**

0501090891

**Product:**

ULTRA FLEX SUPREMA



**Series:**

S-0807

**Revision:**

00

**Date Revision:**

AGOSTO/2009



# PRODUCTS

Code	Description
0111080552	ULTRA FLEX SUP 7/ 4 C DT S-0807
0111080553	ULTRA FLEX SUP 7/ 5 C DT S-0807
0111080554	ULTRA FLEX SUP 7/ 6 C DT S-0807
0111080555	ULTRA FLEX SUP 7/ 7 C DT S-0807
0111080556	ULTRA FLEX SUP 9/ 4 C DT S-0807
0111080557	ULTRA FLEX SUP 9/ 5 C DT S-0807
0111080558	ULTRA FLEX SUP 9/ 6 C DT S-0807
0111080559	ULTRA FLEX SUP 9/ 7 C DT S-0807
0111080560	ULTRA FLEX SUP 9/ 8 C DT S-0807
0111080561	ULTRA FLEX SUP 9/ 9 C DT S-0807

## ATTENTION: IMPORTANT

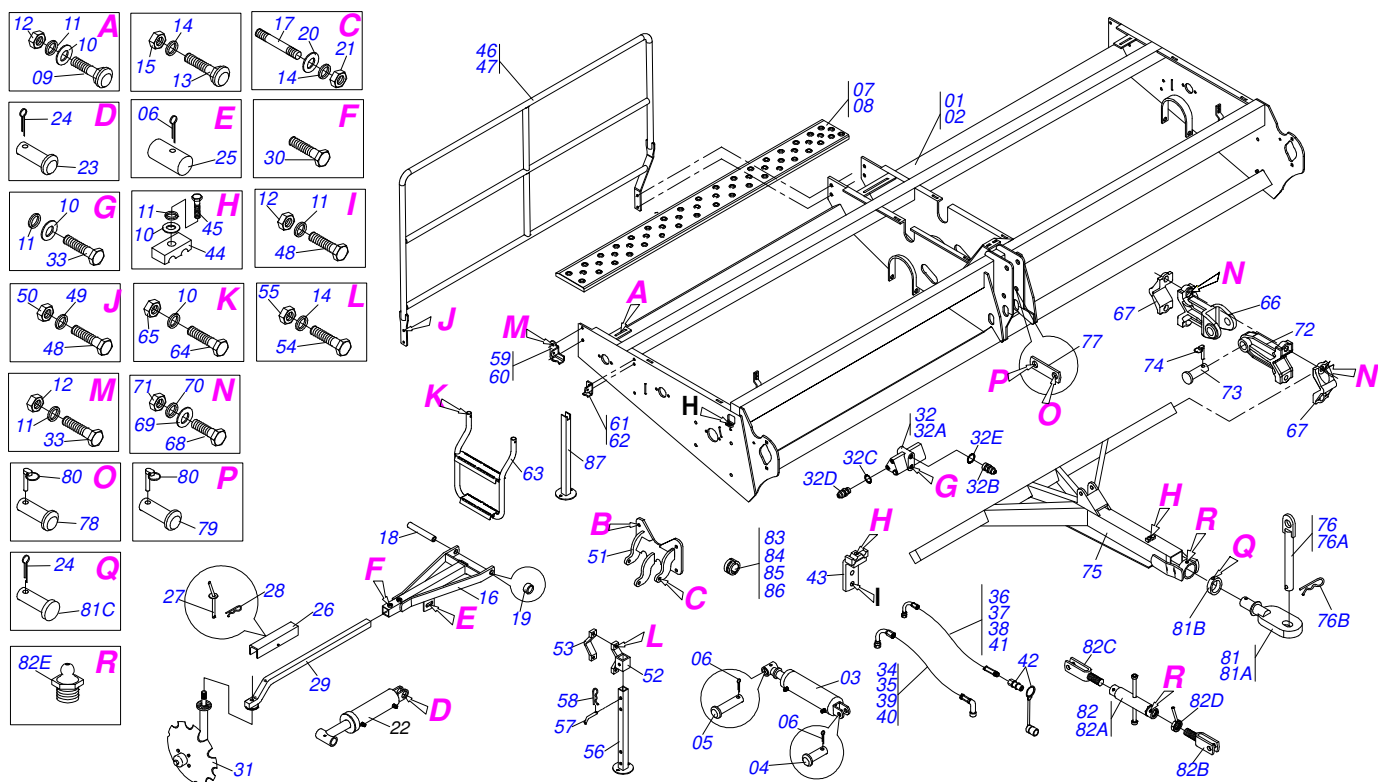
Marchesan S.A. reserves the right to improve and / or modify the technical features of its products, without obligation to do the same with those products already sold and without prior knowledge of the dealer or the consumer.



**MARCHESAN**

# INDEX

0909093157	FRAME 07 09 ULTRAFLEX/SUPREMA	.....	1
0511041188	2" X 5" X 19.5" X 7.5" HYDRAULIC CYLINDER	.....	2
0511040203	1.5" X 2.5" X 19" X 9" HYDRAULIC CYLINDER	.....	3
0501050633	MARKER DISC ASSY LINE	.....	4
0909093158	TRANSMISSION 07/09	.....	5
0511040424	RH TRANSMISSION DRIVING ASSY	.....	6
0909093035	GEAR BOX ASSY	.....	7
0909093346	FRONT ROW ULTRA FLEX 08/09	.....	8
0909093206	REAR SEED ROW	.....	9
0909093313	COMPACT/DEPTH CONTROL	.....	10
0501052908	COMPACTOR WHEEL WITH BEARING	.....	11
0511050077	WHEEL STRIPED	.....	12
0909093312	FERTILIZER ROW ASSY	.....	13
0909092926	BLADE DISC ASSY	.....	14
0909090102	FERTILIZER UNAL DOUB-DISC ASSY	.....	15
0909090495	"V" WHEEL SET COBRIDORA FERTILIZER	.....	16
0909093210	BLADE DISC ASSY 20" TO 22"	.....	17
0909094571	ENSEMBLE BOX UNIQUE SEED	.....	18



Item	Code	Description	See page	07 09
01	0511063989	7 FRAME		01
02	0511063990	9 FRAME		01
03	0511041188	2" X 5" X 19.5" X 7.5" HYDRAULIC CYLINDER	2	01 01
04	0521012538	1.2" X 3.5" COUPLING SHAFT		01 01
05	0521012536	COUPLING SHAFT		01 01
06	0503010523	1/4" X 2" COTTERPIN		04 04
07	0511064038	PLATFORM 1620 ULTRA FLEX 7		02
08	0511064039	PLATFORM 2020 ULTRA FLEX 9		02
09	0501011755	3/8" X 3" BOLT		04 04
10	0501010984	FLAT WASHER		09 09
11	0503010025	3/8" SPRING WASHER		21 21
12	0503010026	3/8" NUT		16 16
13	0503012699	BOLT 5/8NC X 2 CAPQ G.5 ZN 1K20548		08 08
14	0503010027	5/8" SPRING WASHER		16 16
15	0503012412	5/8 UNC SELF LOCKING NUT		08 08
16	0501069470	ROW MARKER ARM		02 02
17	0521017686	5/8 UNF X 5/8 UNF X 335 PRISONER		02 02
18	0521017687	SPACING SLEEVE		02 02
19	0521010479	SLEEVE ARTICULATION		04 04
20	0501012140	FLAT WASHER		04 04
21	0503012795	5/8" HEX SELF ADJUSTING NUT		04 04
22	0511040203	1.5" X 2.5" X 19" X 9" HYDRAULIC CYLINDER	3	02 02
23	0521010574	C0.9" X 3.3" COUPLING SHAFT		02 02
24	0503010571	1/4" X 1.1/2 COTTERPIN		03 03
25	0511015779	1" X 4.2" AXLE		02 02
26	0511017592	11.8" X 1.6" TRANSPORT LOCK		02 02
27	0501068994	0.3" X 3.1" LOCK PIN		02 02
28	0503030168	HAIR PIN		02 02
29	0501069643	890 TURNBUCKLE		02 02
30	0503010962	5/8" X 1-1/4" BOLT		04 04
31	0501050633	MARKER DISC ASSY LINE	4	02 02

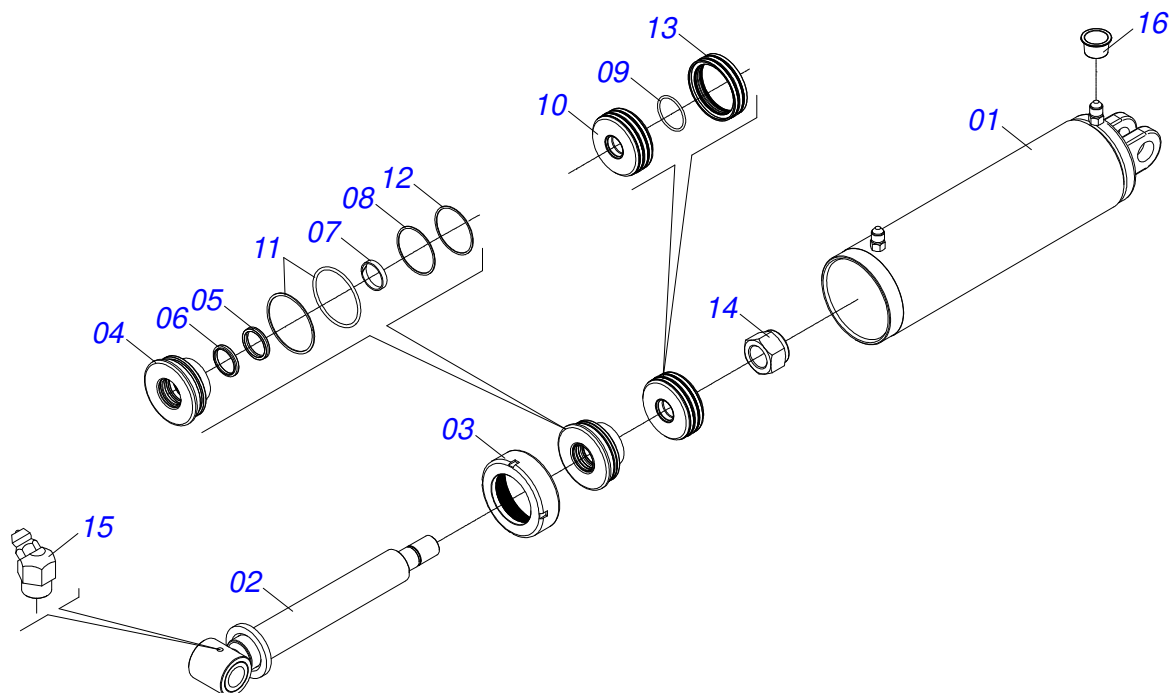


Item	Code	Description	See page	07 09
32	0501054649	SEQUENTIAL VALVE ASSY		01 01
32A	0503060132	VDFS-002 T SEQUENCCEL VALVE		01 01
32B	0501010617	3/4" NIPPLE		02 02
32C	0503010190	2-114 N 3006-9B O'RING		02 02
32D	0501012109	3/4" X 9/16" NIPPLE		04 04
32E	0503011036	2-111 N 3006-9B O'RING		06 06
33	0503010237	3/8" X 1" BOLT		10 10
34	0501080479	TC-TC HOSE ASSY		02
35	0501080389	3/8" X 126" TC-TC HOSE ASSY		02
36	0501080422	HOSE 3/8 X 4000 TC-TM		02 03
37	0501080875	3/8" X 153" TC-TM HOSE ASSY		01
38	0501080878	3/8 X 4200 TC-TM HOSE ASSY		01
39	0501080391	3/8" X 133" TC-TC HOSE ASSY		02
40	0501080749	3/8" X 141" TC-TC HOSE ASSY		02
41	0501080446	3/8 X" 169" TC-TM HOSE ASSY		01
42	0501053834	MALE QUICK COUPLER WITH CAP - 1/2 NPT		04 04
43	0511062410	HOSE FIXATION SUPPORT		02 02
44	0502010477	HOSE CLAMP		03 03
45	0503010751	C3/8" X 1.1/4" HEX BOLT G.5		07 07
46	0511069635	HANDRAIL		02
47	0511069656	HANDRAIL COP FLEX 600 9		02
48	0503010920	1/2" X 1.1/2" BOLT		04 04
49	0503010019	1/2" SPRING WASHER		12 12
50	0503010060	1/2" NUT		12 12
51	0511064067	HYDR SUPPORT MARKER ROW		02 02
52	0502011530	SUPPORT		02 02
53	0502010175	HITCH CLAMP		02 02
54	0501011543	5/8" X 4" BOLT		04 04
55	0503010013	5/8" NUT		04 04
56	0511061835	PLOUGH SUPPORT		02 02
57	0501011075	PIN		02 02
58	0503030012	HAIR PIN		02 02
59	0551019110	LADDER RIGHT FIXER		01 01
60	0551019109	LADDER LEFT FIXER		01 01
61	0551017438	LADDER RIGHT FIXER		01 01
62	0551017437	LADDER RIGHT FIXER		01 01
63	0511069636	LADDER		02 02
64	0501010096	3/8" X 2" BOLT		06 06
65	0503013357	3/8" SELF-ADJUSTING NUT		06 06
66	0502012329	DRAWBAR FIXATION REAR SUPPORT		02 02
67	0502012330	SUPPORT FIXER PIVOT		02 02
68	0503011084	3/4" X 5" BOLT		08 08
69	0501010322	FLAT WASHER		08 08
70	0503010023	3/4" SPRING WASHER		04 04
71	0503010014	3/4" NUT		04 04
72	0502012328	DRAWBAR SUPPORT FRONT FIXATION		02 02
73	0561014393	COUPLING SHAFT		02 02
74	0503030119	LOCK PIN		04 04
75	0511064808	DRAWBAR		01 01
76	0501047881	AXIS JOINT ASSY		01 01
76A	0501068989	COUPLING SHAFT		01 01
76B	0503031035	HAIR PIN		01 01
77	0521013867	DRAWBAR TRANSPORT LOCK		01 01
78	0521010578	COUPLING SHAFT		01 01
79	0521010582	COUPLING SHAFT		01 01
80	0503030085	LOCK PIN		02 02
81	0501051160	TRACTOR HITCH PIN		01 01
81A	0502040556	HITCH TURNER		01 01
81B	0521010681	BUSHING COUPLING BODY		01 01

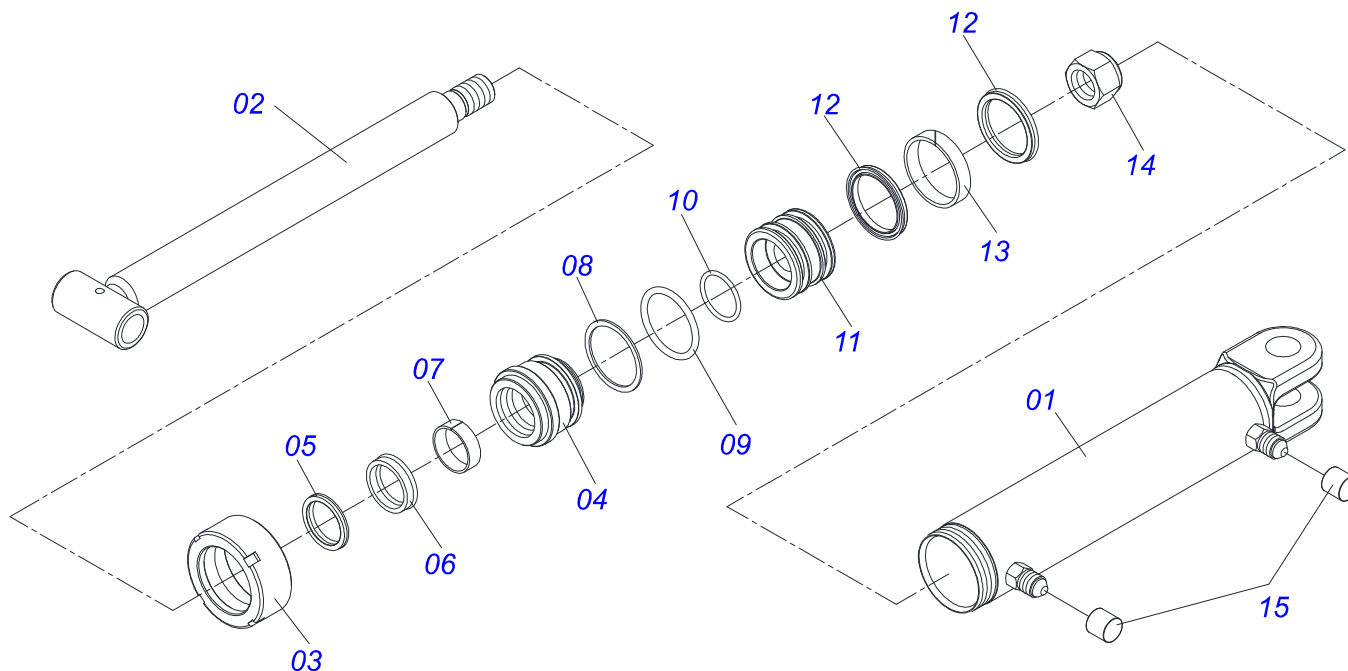


**ULTRA FLEX SUPREMA**  
**FRAME 07 09 ULTRAFLEX/SUPREMA**

Item	Code	Description	See page	07 09
81C	0521010639	COUPLING SHAFT		01 01
82	0501054258	DRAWBAR ESTABILIZER ASSY		01 01
82A	0501069529	653 TURNBUCKLE		01 01
82B	0511060558	RIGHT TURNBUCKLE		01 01
82C	0511060559	LEFT TURNBUCKLE		01 01
82D	0501061056	RH LOCKNUT WITH HANDLER		01 01
82E	0503010002	1800 GREASE FITTING		02 02
83	0501047895	ROD STOP		01 01
84	0501047896	1.18" ROD STOP		01 01
85	0501047897	1.38" ROD STOP		01 01
86	0501047898	1.57" ROD STOP		01 01
87	0501065677	STRUT		02 02

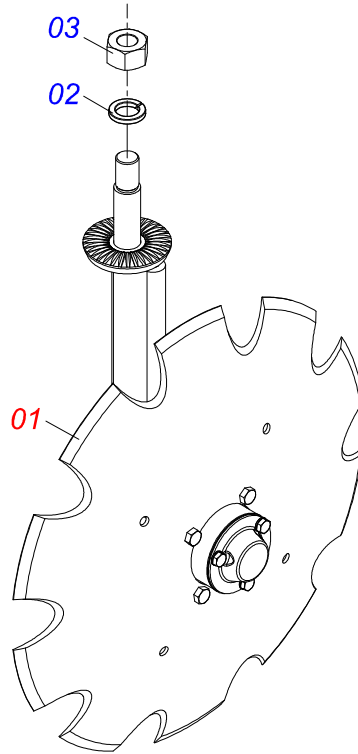


Item	Code	Description	See page	QT
01	0511064055	5" X 15" CYLINDER CASE		01
02	0511064056	BUSHING 2" X 14" TURNBUCLE		01
03	0502010382	5" END CAP		01
04	0502012227	50.80 X 127 RING SUPPORT		01
05	0503010039	D-2000 SCRAPER RING		01
06	0503010991	1870-2000-375-B GASKET		01
07	0503010952	W2-2250-500 RING		01
08	0503010351	2-425 N 3006-9B O'RING		01
09	0503011062	8-425 BACK-UP RING		01
10	0502010963	2.0" X 5.0" PISTON		01
11	0503010552	PACKING 3750-4250-625-B		02
12	0503010345	2-218 N 3006-9B O'RING		01
13	0503010974	W2-5000-500 RING		01
14	0503010817	1.1/4" SELF LOCKING NUT		01
15	0503010003	1845 GREASE FITTING		01
16	0503030385	CYLINDER PLUG N-002		02

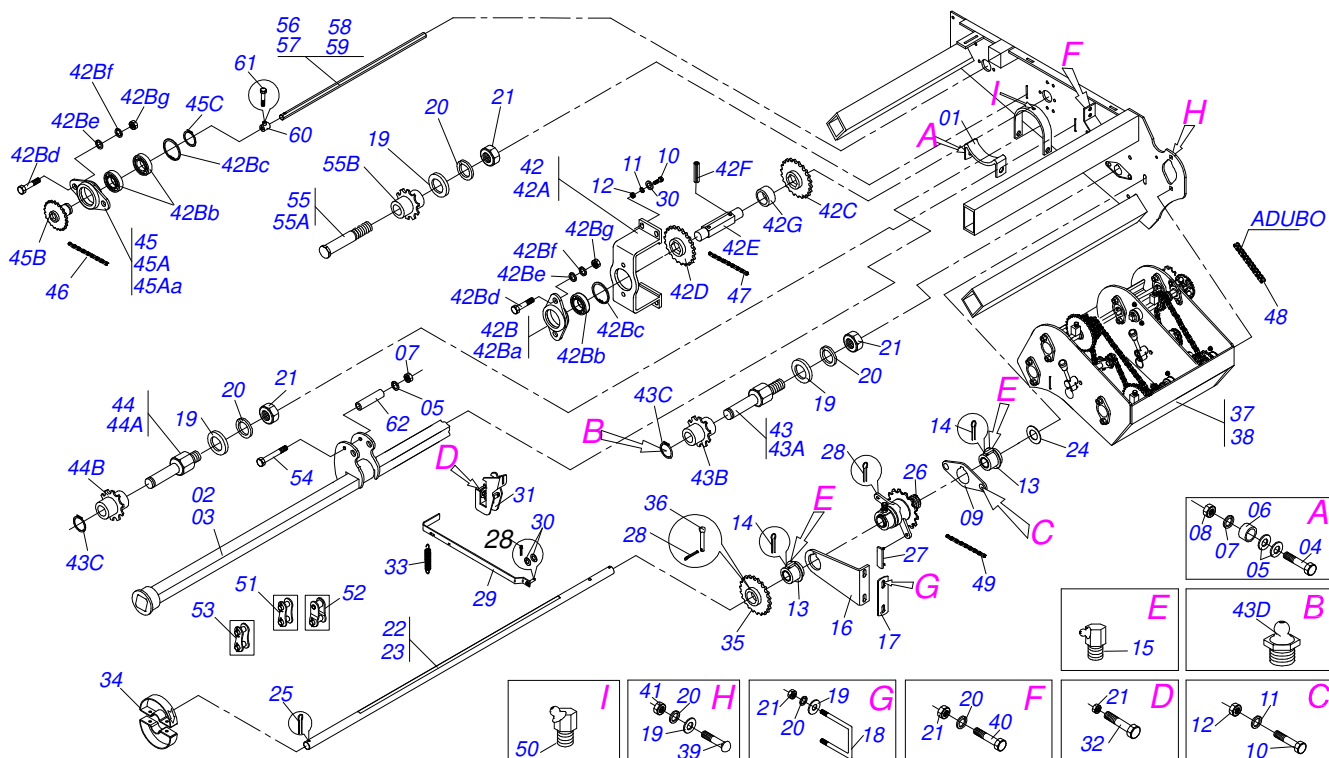


Item	Code	Description	See page	QT
01	0511062810	2.5" X 15"CYLINDER CASE		01
02	0501065662	HYDRAULIC CYLINDER TURNBUCKLE		01
03	0502010471	MOBILE COVER		01
04	0502010780	RING SUPPORT		01
05	0503010163	D-1500 SCRAPER RING		01
06	0503010989	1870-1500-375-B GASKET		01
07	0503010970	W1-1650-500 PK O'RING G.E		01
08	0503011058	8-330 BACK-UP RING		01
09	0503010161	2-330 N 3006 9B O'RING		01
10	0503010285	2-222 N 3006-9B O'RING		01
11	0502010783	1.5" X 2.5" PISTON		01
12	0503010160	2500 2000 GASKET		02
13	0503010973	W2-2500-500 PK O'RING G.E		01
14	0503010063	1" SELF-ALIGNING NUT		01
15	0503030384	CON PLUG N-001		02
16	0501032666	HYDRAULIC CYLINDER REPAIR KIT		01





Item	Code	Description	See page	QT
01	0511053904	DISC LINE MARKER		01
02	0503010023	3/4" SPRING WASHER		01
03	0503010014	3/4" NUT		01

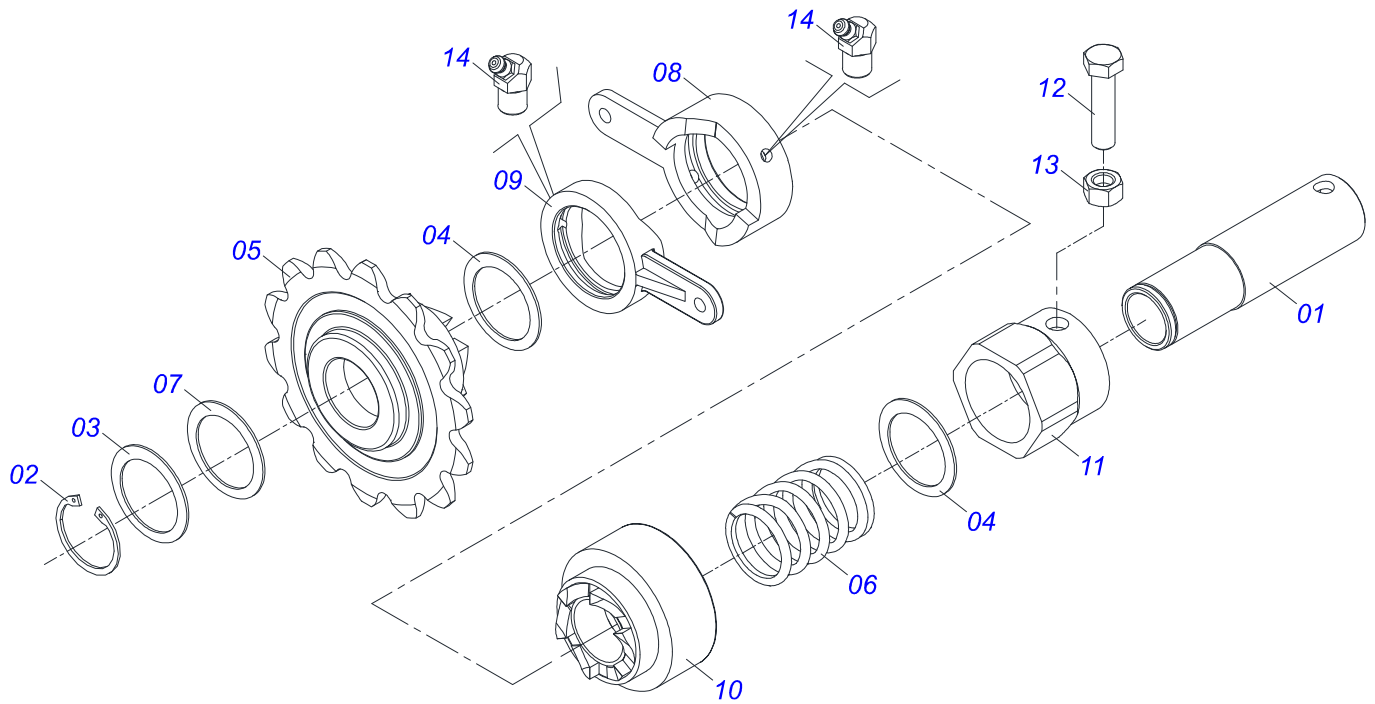


Item	Code	Description	See page	07 09
01	0521013199	LOWER BEARING SEMI		04 04
02	0511063994	CARRYING-WHEELS PIVOT SHAFT		01
03	0511063995	CARRYING-WHEELS PIVOT SHAFT		01
04	0501010100	SCREW 5/8 UNC X 2 CS G.5 ZN		08 08
05	0501012140	FLAT WASHER		18 18
06	0531013922	0.6" X 0.8" X 1" SLEEVE		08 08
07	0503010027	5/8" SPRING WASHER		10 10
08	0503012412	5/8 UNC SELF LOCKING NUT		08 08
09	0531017204	CHOCK BEARING		04 04
10	0503010751	C3/8" X 1.1/4" HEX BOLT G.5		12 16
11	0503010025	3/8" SPRING WASHER		12 16
12	0503010026	3/8" NUT		12 16
13	0501110025	AGRICULTURAL BEARING		06 08
14	0503010257	1/8" X 1" COTTERPIN		06 08
15	0503010004	1890 GREASE FITTING		06 08
16	0511064914	MOTOR CHOCK BEARING SUPPORT		02 04
17	0521014436	MOTOR CHOCK SUPPORT BEARING AXLE		04 08
18	0521014021	1/2" X 4.5" X 5.4" FASTENER		02 04
19	0511017302	FLAT WASHER		18 22
20	0503010019	1/2" SPRING WASHER		22 26
21	0503010060	1/2" NUT		16 22
22	0531016933	1565 MOTOR AXLE		02
23	0531016934	1965 MOTOR AXLE		02
24	0501018466	FLAT WASHER		10 10
25	0503010010	1/4" X 2.1/2" COTTERPIN		04 04
26	0511040424	RH TRANSMISSION DRIVING ASSY	6	02 04
27	0511064044	PIVOT ARM		02 04
28	0503010140	1/8" X 3/4" COTTERPIN		06 10
29	0511064106	ASSEMBLE AND DISASSEMBLE RATCHET		02 04
30	0501010984	FLAT WASHER		12 08
31	0501069850	RATCHET BAR DES.		02 04

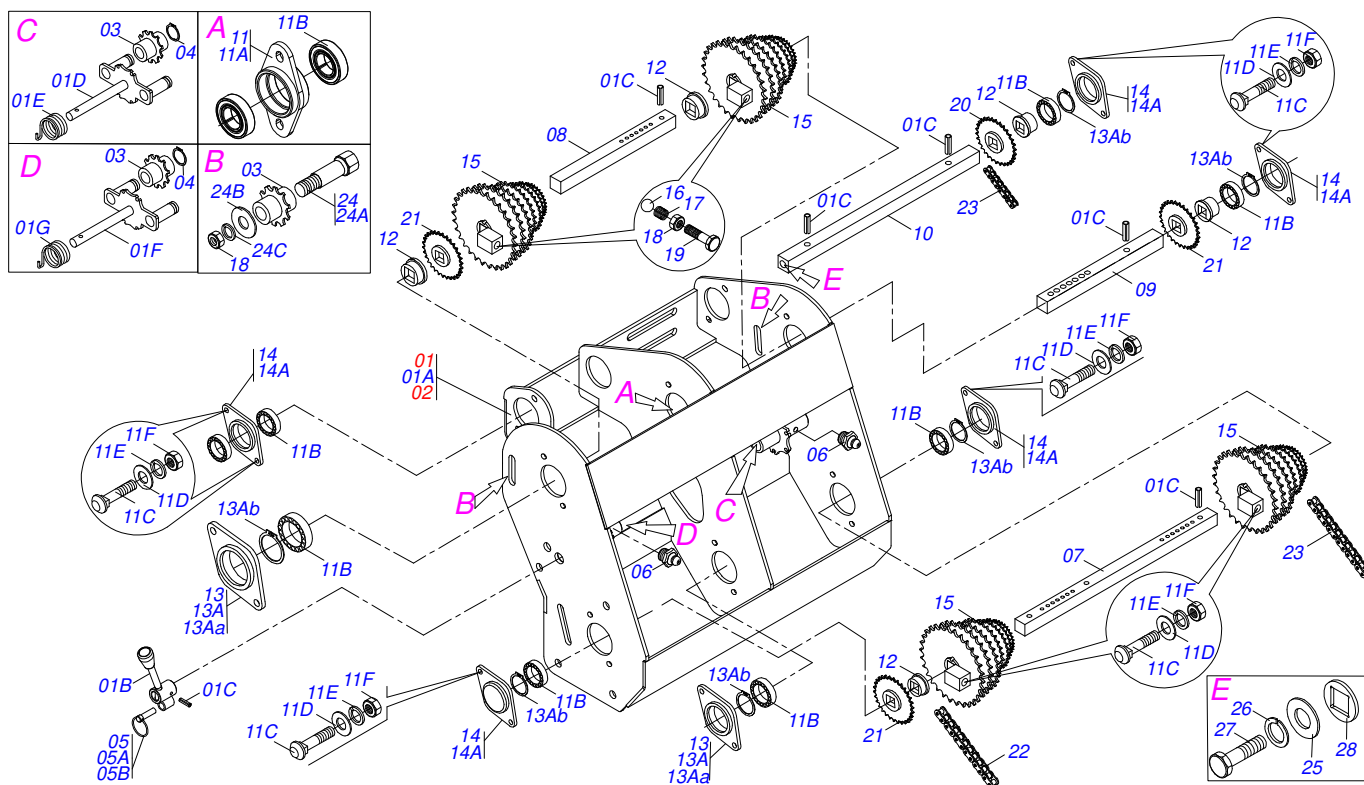


ULTRA FLEX SUPREMA  
TRANSMISSION 07/09

Item	Code	Description	See page	07 09
32	0503011082	C1/2" X 1.3/4" SCREW		02 04
33	0503030198	0.6" X 2.4" X 0.1" EXTENSION SPRING		02 04
34	0501052560	AXLE MOTOR SLOW-MOVING ASSY		02 02
35	0511064105	17Z P 5/8" RH 1.4" GEAR		02 02
36	0521010530	COUPLING SHAFT		02 02
37	0511047058	RIGHT GEAR BOX ASSY		01 01
38	0511047059	LH GEAR BOX ASSY		01 01
39	0501010243	1/2" X 1-1/2" BOLT		08 08
40	0503010920	1/2" X 1.1/2" BOLT		04 04
41	0503010020	1/2"NUT		08 08
42	0501053846	MIDDLE BEARING OF THE TRANSMISSION		02 02
42A	0511063266	INTERMEDIARY BEARING SUPPORT		02 02
42B	0501052775	ROW SEED BEARING		04 04
42Ba	0502011697	BEARING OF THE GEAR BOX		08 08
42Bb	0503011410	ROLLER BEARING		06 06
42Bc	0503011105	SEAL RING		04 04
42Bd	0503010365	NUT		08 08
42Be	0501010694	8.5 X 18 X 1.5 FLAT WASHER		12 12
42Bf	0503010179	5/16" ZN SPRING WASHER		08 08
42Bg	0503010337	5/16" NUT		08 08
42C	0511063267	26Z P1/2" GEAR FOR HEX AXLE, 1"		02 02
42D	0511063268	20Z P1/2" GEAR FOR HEX AXLE, 1"		02 02
42E	0531013674	INTERMEDIATE AXLE		02 02
42F	0503010292	0.2" X 1.6" SPRING PIN		04 04
42G	0541011184	1.1" X 2" X 0.7" SLEEVE		02 02
43	0501053602	CHAIN TENSIONER ASSY		02 02
43A	0531012356	CHAIN TENSIONER AXLE		02 02
43B	0503030402	PULLEY		02 02
43C	0503010302	501019 SEAL RING		04 04
43D	0503010002	1800 GREASE FITTING		02 02
44	0501052810	TRANSMISSION CHAIN TENSIONER ASSY		02 02
44A	0521018933	FERT CHAIN TENSIONER AXLE		02 02
44B	0503031805	11Z 1/2" GEAR		02 02
45	0501053608	BEARING ASSY WITH GEAR 20Z 5/8" HEX AXLE		02 02
45A	0501053609	BEARING TRANSMISSION DOUBLE SEED 5/8		02 02
45Aa	0502011987	DOUBLE HOUSING BEARING		02 02
45B	0511063106	20Z AXLE BEARING DOBLE		02 02
45C	0503010406	501025 CLAMPING RING (FOR AXLE)		04 04
46	0503013073	40-1 CHAIN X 75 LINK + MENDING		02 02
47	0503013074	40-1 CHAIN X 130 LINK + REDUCION		02 02
48	0503013075	40-1 X 136 LINK + REDUCION		02 02
49	0503011718	50-1 X 67 CHAIN LINK + MENDING		02 02
50	0503010003	1845 GREASE FITTING		04 04
51	0503011750	AMENDMENT WITH LOCK		06 06
52	0503011751	REDUCTION		06 06
53	0503010543	AMENDMENT WITH LOCK		02 02
54	0503010967	SCREW 5/8 UNC X 5.1/2 CS G.5 ZN		02 02
55	0501054686	GEAR BOX CHAIN TENSIONER		02 02
55A	0531019479	AXLE CHAIN GEAR		02 02
55B	0503031806	9Z X P 5/8" GEAR		02 02
56	0531016940	5/8 X 1650 RIGHT HEX AXLE		01
57	0531016941	LEFT 5/8" X 59" AXLE HEX		01
58	0531016942	RIGHT HEX AXLE 5/8 X 2050		01
59	0531016943	LEFT HEX AXLE 5/8 X 1900		01
60	0502040534	SPRING GUIDE BUSHING LOCK		02 02
61	0503010237	3/8" X 1" BOLT		02 02
62	0531012565	SLEEVE 16,3X 30 X 88		02 02



Item	Code	Description	See page	QT
01	0521017590	GUIDE AXLE		01
02	0503010542	501045 CLAMPING RING (FOR AXLE)		01
03	0521017593	FLAT WASHER		01
04	0501019734	FLAT WASHER		02
05	0502011329	14Z GEAR WITH RIGHT DRAGGER		01
06	0503030553	2.3"X 2.5"X 0.2"COMPRESSION SPRING		01
07	0501019735	FLAT WASHER		02
08	0502010710	RIGHT CAM, SMALLER		01
09	0502010711	RIGHT CAM,LARGER		01
10	0502012009	DRIVING AXLE RIGHT FOLLOWER		01
11	0502011996	SLLEVE FIXER		01
12	0503030678	BOLT 1/2 UNC X 1.1/2 CSPC G.5 ZN		01
13	0503010060	1/2" NUT		01
14	0503010003	1845 GREASE FITTING		02



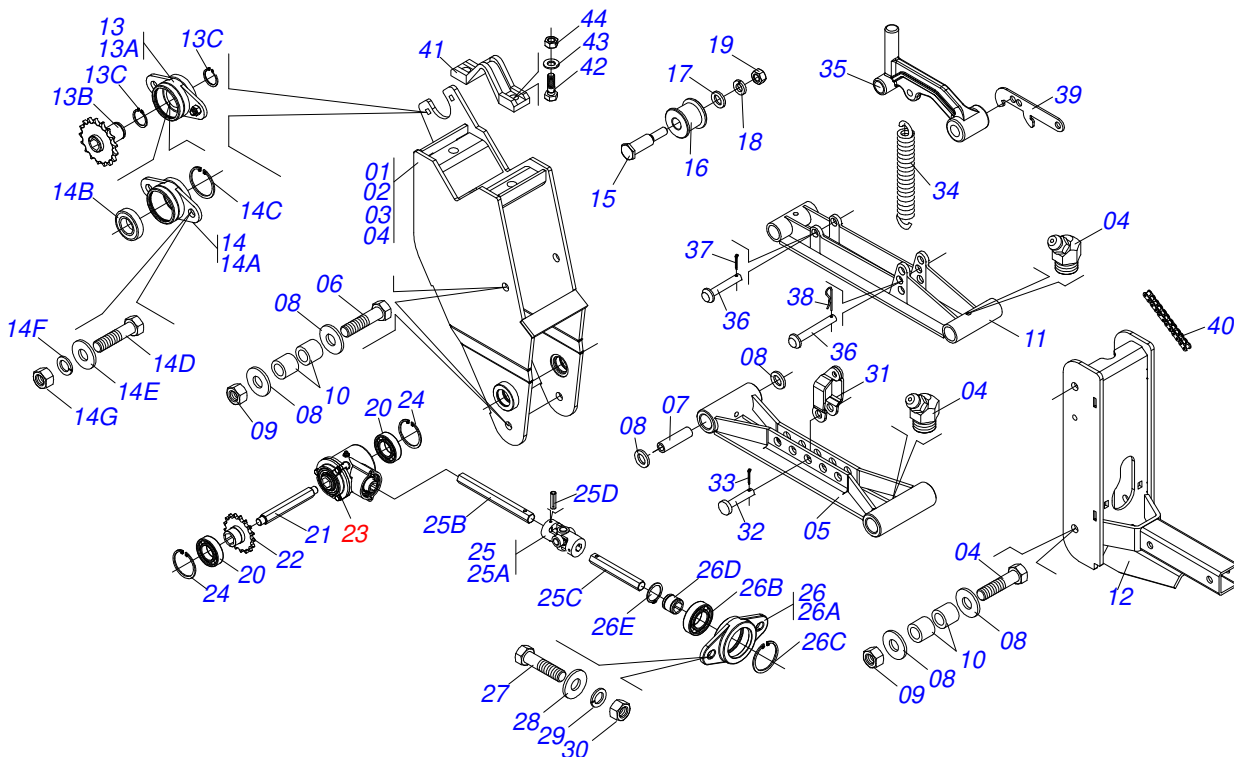
Item	Code	Description	See page	DIR ESQ
00	0511047058	RIGHT GEAR BOX ASSY	01	00
00A	0511047059	LH GEAR BOX ASSY	00	01
01	0501058212	SEMI MOUNTED RIGHT CHANGE	01	00
01A	0511069565	LEFT GEAR BOX	01	00
01B	0502011758	REAR TENSIONER LEVER	02	02
01C	0503010292	0.2" X 1.6" SPRING PIN	07	07
01D	0511061794	CHAIN TENSIONER	01	01
01E	0503031367	SPRING	01	01
01F	0511061795	CHAIN TENSIONER	01	01
01G	0503031367	SPRING	01	01
02	0501058213	LH GEAR BOX	00	01
03	0503031805	11Z 1/2" GEAR	06	06
04	0503010302	501019 SEAL RING	04	04
05	0501048790	AXLE WITH LINK ASSY	02	02
05A	0521012476	GEAR BOX LEVER AXLE	02	02
05B	0503031369	LINK	02	02
06	0503010002	1800 GREASE FITTING	02	02
07	0551018209	DRIVING AXLE	01	01
08	0521018259	DRIVEN AXLE	01	01
09	0551018210	DRIVEN AXLE	01	01
10	0551018211	INTERM SHAFT	01	01
11	0501056447	BEARING DOUBLE CENTRAL ASSY EXCHANGE	01	01
11A	0502011978	HOUSING CENTRAL BEARING	01	01
11B	0503013462	BEARING WITH BALL BEARING	07	07
11C	0503011953	5/16" X 1" BOLT	16	16
11D	0501010694	8.5 X 18 X 1.5 FLAT WASHER	16	16
11E	0503010179	5/16" ZN SPRING WASHER	16	16
11F	0503010337	5/16" NUT	16	16
12	0503030303	SUPPORT WASHER	05	05
13	0501056443	BEARING ASSY GEAR BOX	02	02
13A	0501056444	BEARING WITH BALL BEARING	02	02



ULTRA FLEX SUPREMA  
GEAR BOX ASSY

Page 7  
0909093035

Item	Code	Description	See page	DIR ESQ
13Aa	0502011697	BEARING OF THE GEAR BOX		02 02
13Ab	0503011105	SEAL RING		07 07
14	0501056271	BEARING CLOSED		05 05
14A	0502012310	GEAR BOX CLOSE BEARING		05 05
15	0511060396	DRIVE/DRIVEN AXLE CONE		04 04
16	0503012389	1/2 BALL		04 04
17	0503031512	0.4" X 0.1" X 2" X 0.6" SPRING		04 04
18	0503010060	1/2" NUT		06 06
19	0503010395	1/2" X 1-1/4" BOLT		04 04
20	0511061830	17Z P 0.5" GEAR SQUARE HOL		02 02
21	0511067501	26Z GEAR		01 01
22	0503012204	40-1 CHAIN X 82 LINK + RED		02 02
23	0503012713	40-1 CHAIN X 45 LINK + MEN		01 01
24	0501054655	CHAIN TENSIONER ASSY		02 02
24A	0531019479	AXLE CHAIN GEAR		02 02
24B	0511017302	FLAT WASHER		02 02
24C	0503010019	1/2" SPRING WASHER		02 02
25	0501010984	FLAT WASHER		01 01
26	0503010025	3/8" SPRING WASHER		01 01
27	0503010256	3/8" X 3/4" BOLT		01 01
28	0521018630	1.4" X SQUARE 0.8" WASHER		01 01



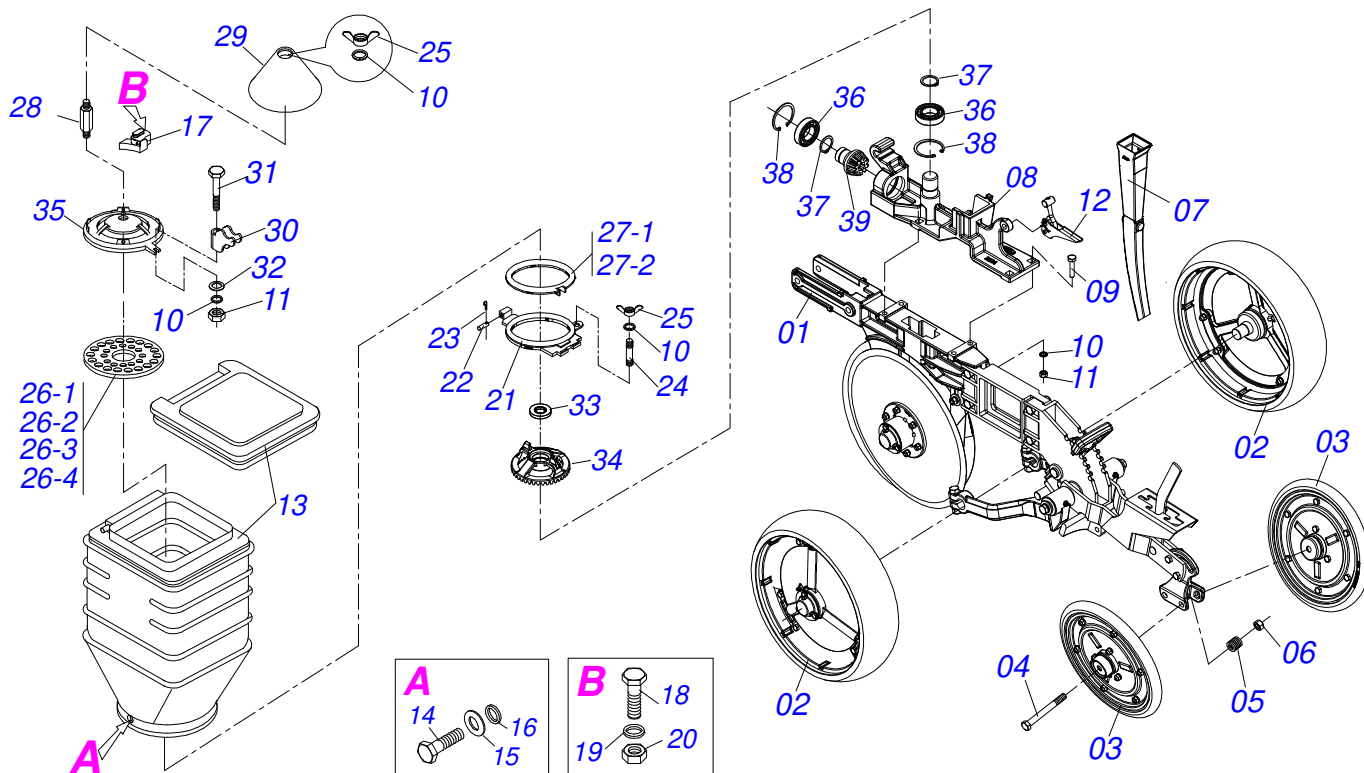
Item	Code	Description	See page	DIR ESQ
01	0521061425	RH SEED ROW SUPPORT FRONT		01
02	0521061237	LH SEED ROW SUPPORT FRONT		01
03	0521061426	LH SEED ROW SUPPORT FRONT		01
04	0521061238	RH SEED ROW SUPPORT FRONT		01 01
05	0521061462	SEDD ROW LOWER ARM		01 01
06	0501010422	BOLT 5/8 UNC X 6.1/2 CS G.5 ZN		01 01
07	0561015858	SPACER LOWER SLEEVE		01 01
08	0531015184	FLAT WASHER		08 08
09	0503012412	5/8 UNC SELF LOCKING NUT		04 04
10	0531015151	0.6" X 1" X 2.4" SLEEVE		06 06
11	0502012350	SEED ROW UPPER ARM		01 01
12	0521061427	SHORT SEED ROW FRAME		01 01
13	0501052769	BEARING WITH 17Z GEAR		01 01
13A	0501052775	ROW SEED BEARING		01 01
13B	0511061778	17Z GEAR WITH HEX HOLE AXLE, 0.6"		01 01
13C	0503010406	501025 CLAMPING RING (FOR AXLE)		02 02
14	0501052775	ROW SEED BEARING		01 01
14A	0502011697	BEARING OF THE GEAR BOX		01 01
14B	0503011410	ROLLER BEARING		01 01
14C	0503011105	SEAL RING		01 01
14D	0503010371	5/16" X 1" BOLT		02 02
14E	0501010694	8.5 X 18 X 1.5 FLAT WASHER		02 02
14F	0503010179	5/16" ZN SPRING WASHER		02 02
14G	0503010337	5/16" NUT		02 02
15	0531019479	AXLE CHAIN GEAR		01 01
16	0541016454	PULLEY		01 01
17	0503010019	1/2" SPRING WASHER		01 01
18	0521014188	FLAT WASHER		02 02
19	0503010060	1/2" NUT		01 01
20	0503012882	BEARING		02 02
21	0561014904	TRANSMISSION AXLE FRAME LINE		01 01



ULTRA FLEX SUPREMA  
FRONT ROW ULTRA FLEX 08/09

Item	Code	Description	See page	DIR ESQ
22	0521061244	TRANSMISSION GEAR		01 01
23	0501058109	TRANSMISSION BOX ASSY		01 01
23A	0502012465	TRANSMISSION HUB		01 01
23B	0503012861	6006 2RS BALL BEARING		02 02
23C	0511068741	16Z GEAR		01 01
23D	0503010707	501030 CLAMPING RING (FOR AXLE)		02 02
23E	0503011410	ROLLER BEARING		02 02
23F	0511068742	PINION BOX TRANSMISSION		01 01
23G	0503010406	501025 CLAMPING RING (FOR AXLE)		01 01
23H	0502012464	BOX TRANSMISSION COVER		01 01
23I	0503010143	1/4" SPRING WASHER		03 03
23J	0503011378	M6X1X16 C S 8.8 ZN BOLT		03 03
24	0503011945	503050 CLAMPING RING (FOR AXLE)		02 02
25	0501059326	UNIVERSAL JOINT AXLE		01 01
25A	0501056296	UNIVERSAL JOINT		01 01
25B	0561014794	350 AXLE HEX		01 01
25C	0561016322	5/8" HEX AXLE		01 01
25D	0503011855	0.2" X 1.8" SPRING PIN		02 02
26	0501059363	5/8" HEX AXLE BEARING		01 01
26A	0502011697	BEARING OF THE GEAR BOX		01 01
26B	0503011410	ROLLER BEARING		01 01
26C	0503011105	SEAL RING		02 02
26D	0561014911	AXLE SLEVE GUIDES HEX		01 01
26E	0503010406	501025 CLAMPING RING (FOR AXLE)		02 02
27	0503010365	NUT		02 02
28	0501010694	8.5 X 18 X 1.5 FLAT WASHER		02 02
29	0503010179	5/16" ZN SPRING WASHER		02 02
30	0503010337	5/16" NUT		02 02
31	0521061464	ROW SPRING FIXER U		01 01
32	0521017623	0.5" X 1.5" COUPLING SHAFT		01 01
33	0503010577	3/16" X 1-1/4" COTTERPIN		01 01
34	0503033043	TRACTION SPRING		01 01
35	0502012568	UPPER ROCKER ARM		01 01
36	0501011388	COUPLING SHAFT		02 02
37	0503010577	3/16" X 1-1/4" COTTERPIN		01 01
38	0503030168	HAIR PIN		01 01
39	0561014906	ROW FRONT LOCK		01
39.	0561015897	ROW FRONT LOCK		01
40	0503013114	40-1 CHAIN X 89 LINK + MENDING		01 01
41	0502010175	HITCH CLAMP		01 01
42	0501010163	5/8" X 4-1/2" BOLT		02 02
43	0501012140	FLAT WASHER		02 02
44	0503010013	5/8" NUT		02 02

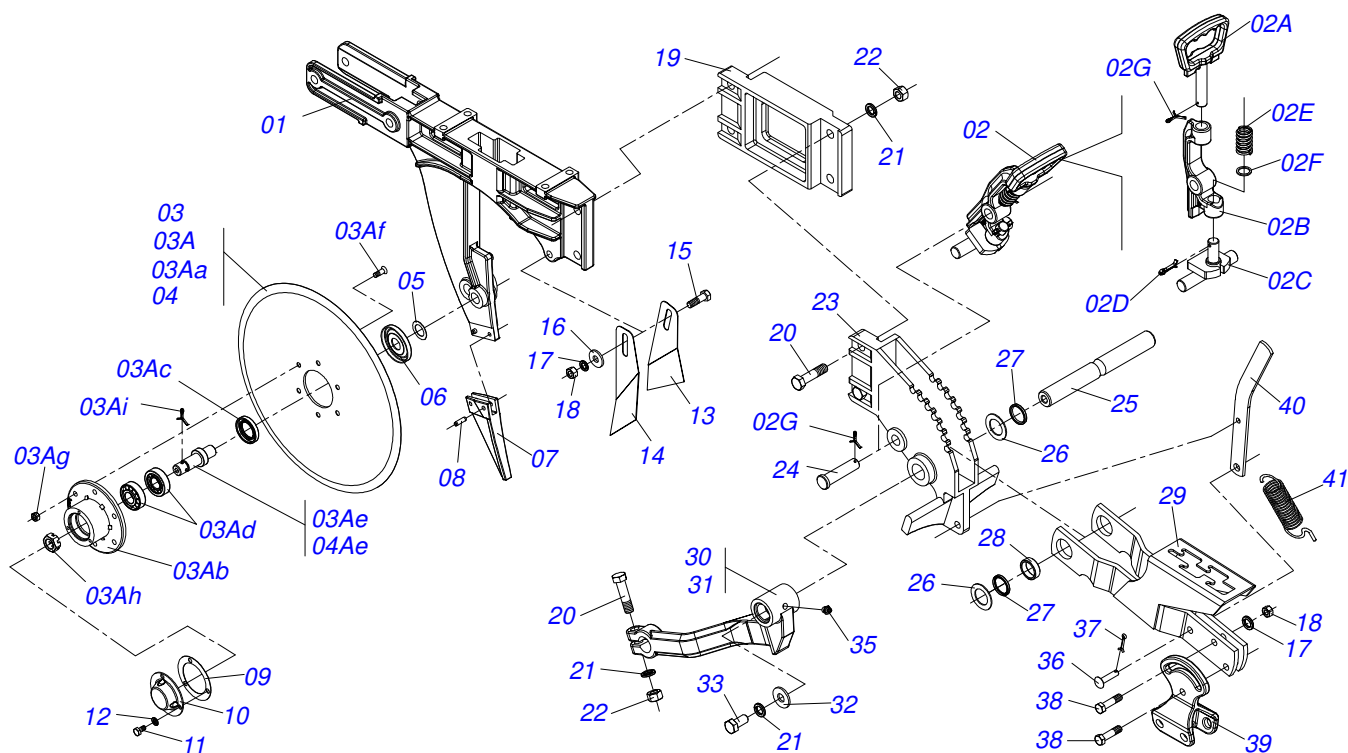




Item	Code	Description	See page
01	0511050023	DEPTH CONTR ASSY	01
02	0511050077	WHEEL STRIPED	12 02
03	0501052908	COMPACTOR WHEEL WITH BEARING	11 02
04	0503010706	SCREW 1/2 UNC X 4.1/2 C S G.5 ZN	02
05	0521014508	FLAT WASHER	12
06	0503011336	1/2" HEX SELF ADJUSTING NUT	02
07	0503033124	SOCKET SEED	01
08	0501059648	SEED BOX FIXING BASE	01
08.	0502012624	SEED BOX FIXING BASE	01
09	0503015920	3/8" UNC X 1.3/4" BOLT	04
10	0503010025	3/8" SPRING WASHER	07
11	0503010026	3/8" NUT	05
12	0501058010	SEMIFINISHED FAST CLOSING SET	01
13	0503031508	COVER GREEN BEAM SEED YELLOW	01
14	0503010295	SCREW 5/16 UNC X 5/8 CS G.2 ZN	04
15	0501010694	8.5 X 18 X 1.5 FLAT WASHER	04
16	0503010179	5/16" ZN SPRING WASHER	04
17	0501051094	SEED DISTRIB ASSY WITH DOUB PULLEY	01
18	0503010675	5/16" X 2.1/4" BOLT	01
19	0503010179	5/16" ZN SPRING WASHER	01
20	0503010337	5/16" NUT	01
21	0502010408	SEED DISC LOWER TRAIL	01
22	0521010536	0.3" X 3.8" COUPLING SHAFT	01
23	0503010140	1/8" X 3/4" COTTERPIN	01
24	0503030083	3/8" X 3/8" X 1.6" STUD	01
25	0503010209	3/8" UNC BUTTERFLY NUT	02
26-1	0502020564	SOYBEAN DISC WITH 100 HOLES	01
26-2	0502020565	SOYBEAN DISC WITH 90 HOLES	01
26-3	0502020518	CORN DISC	01
26-4	0502020519	CORN DISC	01
27-1	0501013355	DISC SEAT	01



Item	Code	Description	See page
27-2	0501013356	DISC SEAT	01
28	0511013590	HEX STUD 3/8" X 3/8"	01
29	0511013494	DEFLECTOR	01
30	0531018622	BOLT FAST SUPPORT UPPER	01
31	0501010096	3/8" X 2" BOLT	01
32	0501010984	FLAT WASHER	01
33	0503012520	5206-BRG SEAL RING	01
34	0502012093	40Z CONICAL GEAR	01
35	0502020324	SEED BOX SUPPORT	01
36	0503011410	ROLLER BEARING	02
37	0503010406	501025 CLAMPING RING (FOR AXLE)	02
38	0503011105	SEAL RING	02
39	0502012225	10Z CONICAL GEAR	01



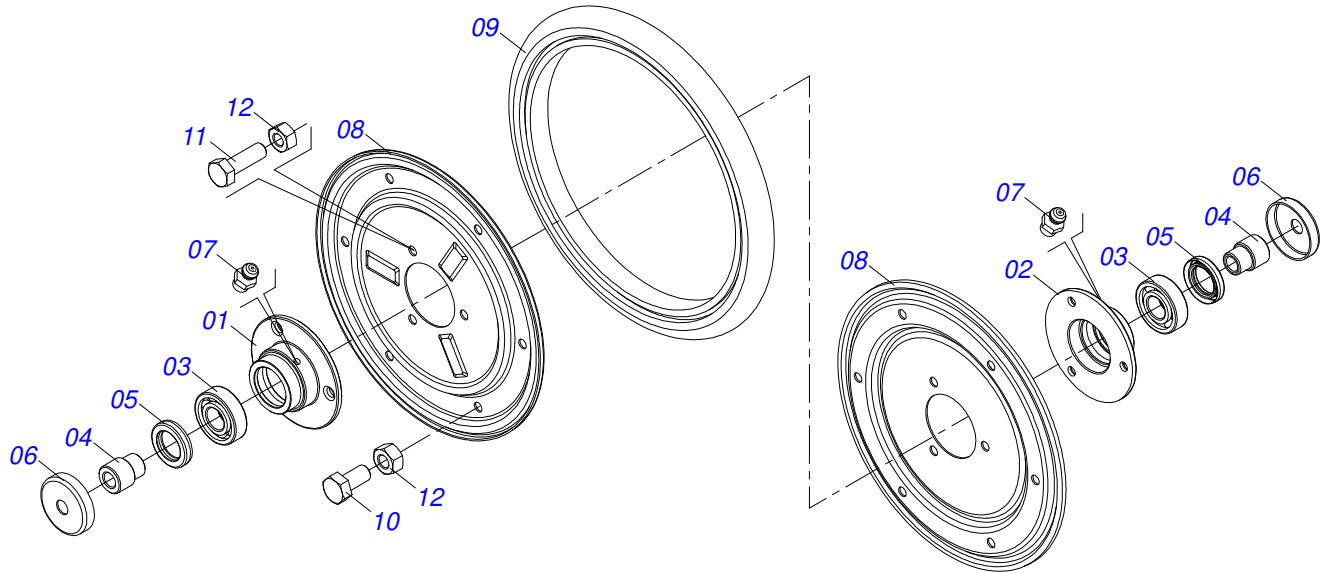
Item	Code	Description	See page	QT
01	0561015591	15"X15" RIGHT DOUBLE DISC SUPPORT		01
02	0501056769	DEPTH WHEELS REGULATOR ASSY		01
02A	0502011689	1/8" DEPTH CONTROL LEVER		01
02B	0502011688	SEED SIST CONTROL DEPTH LEVER		01
02C	0511065582	DEPTH WHEEL STOP		01
02D	0503010071	3/16" X 1" COTTERPIN		01
02E	0503030975	0.9" X 1.5" X 0.1" SPRING		01
02F	0511015976	FLAT WASHER		01
02G	0503010257	1/8" X 1" COTTERPIN		01
03	0501059631	DDD SEED 15" X 15" RIGHT		01
03A	0501054167	BOX DDD ASSY DPL 15 RIGHT		01
03Aa	0603022042	13" X 0.12" PLAIN COULTER BLADE		02
03Ab	0502011930	DOUBLE DISC COULTER BOX		02
03Ac	0503011112	SEAL 02376-BRG		02
03Ad	0503010598	30204 BALL BEARING		04
03Ae	0521019154	RIGHT DOUB DISC HUB		01
03Af	0503010546	5/16" X 7/8" BOLT		12
03Ag	0503010337	5/16" NUT		12
03Ah	0503030282	3/4" CASTLE NUT		02
03Ai	0503010257	1/8" X 1" COTTERPIN		02
04	0501054168	BOX DDD ASSY DPL 15 LEFT		01
04Ae	0521019148	LEFT DOUBLE DISC HUB		01
05	0511015098	FLAT WASHER		02
06	0511011927	DUST CLOAK		02
07	0502012293	FURROW SCRAPER		01
08	0503011402	0.2" X 0.8" SPRING PIN		02
09	0503030757	2.9" X 2" X 0.02" JOINT		02
10	0521019178	COVER DEPTH		02
11	0503013758	1/4" X 1-1/2" BOLT		06
12	0503010143	1/4" SPRING WASHER		06
13	0561010264	RH DOUBLE DISC SCRAPER - STARTING 04/18		01



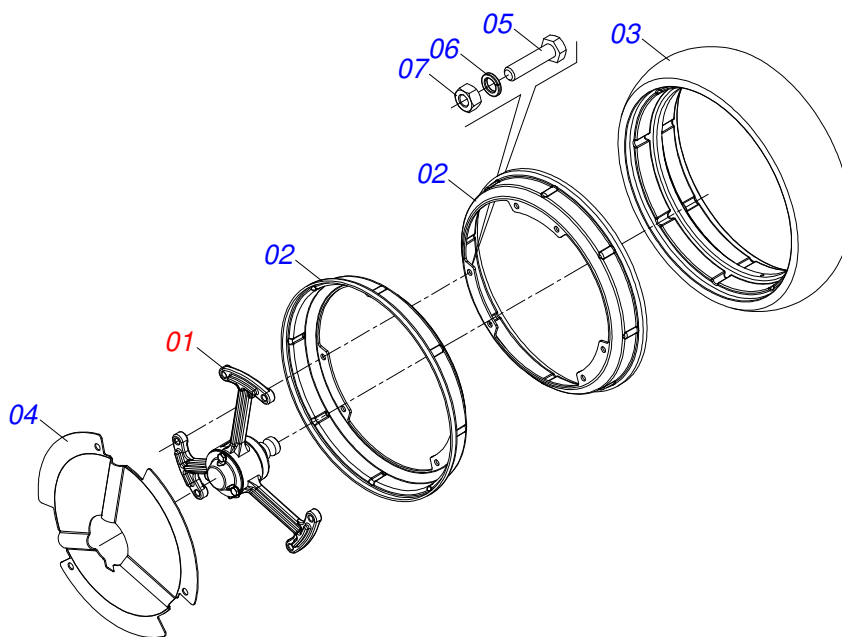
**ULTRA FLEX SUPREMA**  
**COMPACT/DEPTH CONTROL**

Page 10  
0909093313

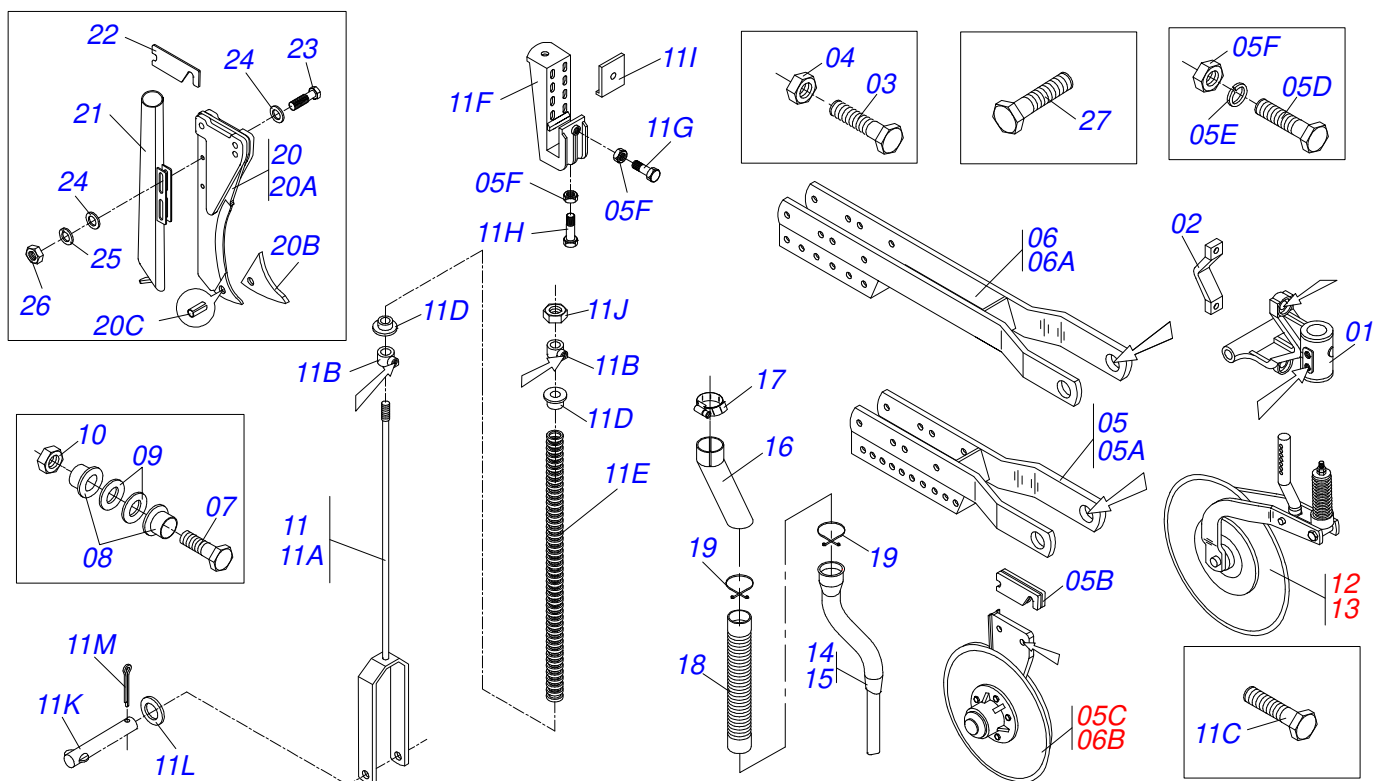
Item	Code	Description	See page	QT
14	0561010265	LH DOUBLE DISC SCRAPER - STARTING 04/18		01
15	0503010751	C3/8" X 1.1/4" HEX BOLT G.5		01
16	0501010984	FLAT WASHER		01
17	0503010025	3/8" SPRING WASHER		01
18	0503010026	3/8" NUT		01
19	0502012663	EXTENSION		01
20	0503010740	BOLT 1/2 UNC X 2 CS G.5 ZN		04
21	0503011440	SPRING WASHER		04
22	0503010060	1/2" NUT		04
23	0502012283	DEPTH CONTROL SUPPORT		01
24	0521019093	0.6" X 2.7" PIVOT SHAFT		01
25	0531010765	DEPTH WHEEL AXLE		01
26	0521015346	FLAT WASHER		02
27	0503015021	6871-GA SEAL RING		02
28	0521010480	1" X 1.2" X 0.4" ARTICULAT SLEEVE		02
29	0511069633	PRESS WHEELS COMPACTOR		01
30	0502012268	FERTILIZER DEPTH WHEEL LEFT ARM		01
31	0502012267	FERTILIZER DEPTH WHEEL RIGHT ARM		01
32	0511017302	FLAT WASHER		02
33	0503010834	1/2 X 1 BOLT		02
34	0503010740	BOLT 1/2 UNC X 2 CS G.5 ZN		02
35	0503010002	1800 GREASE FITTING		02
36	0521010539	0.3" X 1.2" COUPLING SHAFT		01
37	0503010140	1/8" X 3/4" COTTERPIN		01
38	0503010849	3/8" X 1-1/2" BOLT		02
39	0502012116	PRESS WHEEL ADJUSTER		01
40	0541016906	PRESS WHEELS REGULATOR BODY		01
41	0503030805	1.6" X 6" X 0.2 TRACTION SPRING		01



Item	Code	Description	See page	QT
01	0502011919	PRESS WHEEL HUB		01
02	0502011877	PRESS WHEEL HUB		01
03	0503010269	6204 BALL BEARING		02
04	0521018922	PRESS WHEEL PASSANG AXLE		02
05	0503012734	SEAL 01556 BR		02
06	0521018921	DUST CLOAK		02
07	0503010691	1/4" GREASE FITTING		01
08	0521018928	PRESS WHEEL RIM		02
09	0503031421	DEPTH CONTROL WHEEL RUBBER BAND		01
10	0503010011	5/16" X 1/2" BOLT		06
11	0503010358	5/16" X 5/8" BOLT		03
12	0503013816	5/16" LOCKNUT		03



Item	Code	Description	See page	QT
01	0511052287	DEPTH WHEEL HUB ASSY		01
02	0551019904	PRESS WHEEL RIM		02
03	0503032970	RUBBER BAND		01
04	0561016889	STRIPED CAP WHEEL DEPTH		01
05	0503010365	NUT		06
06	0503010179	5/16" ZN SPRING WASHER		06
07	0503010337	5/16" NUT		06



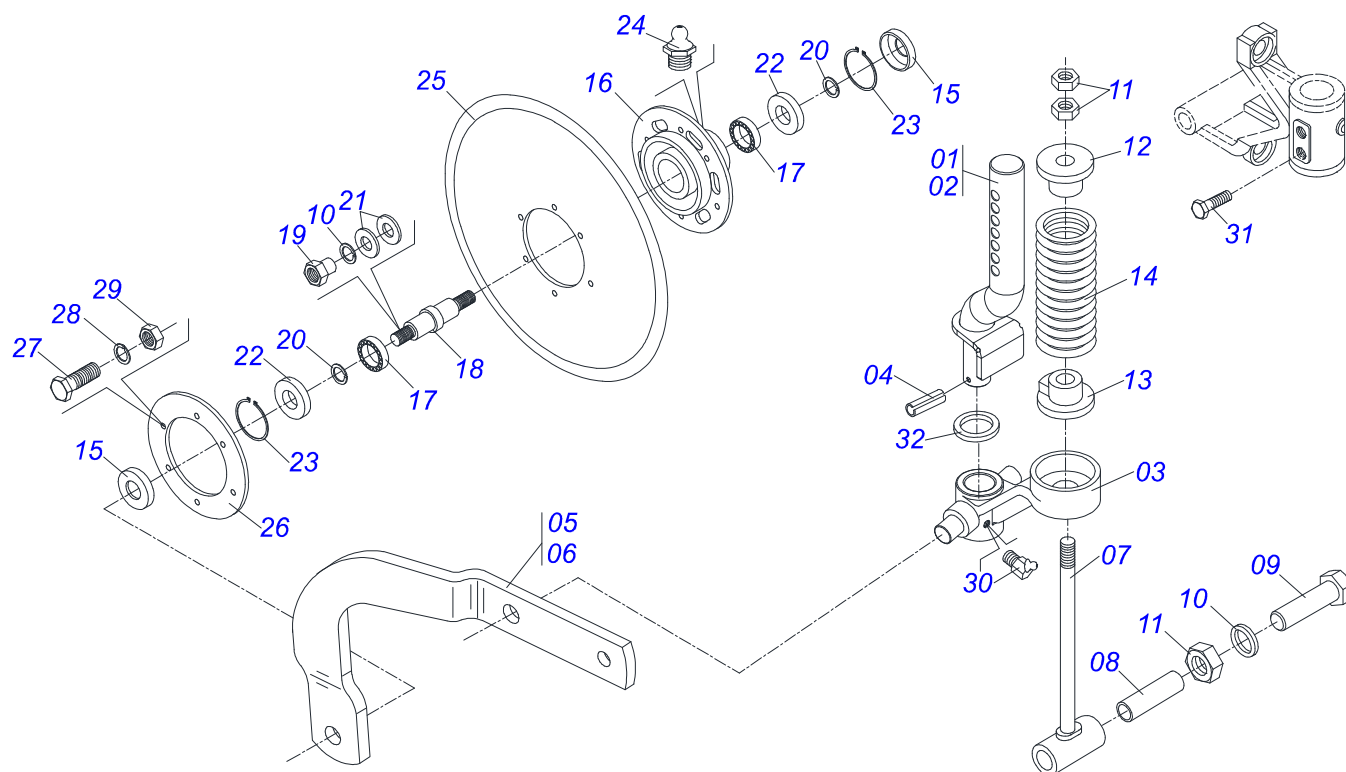
Item	Code	Description	See page	11	13	15	17
01	0502011567	FERTILIZER ROW SUPPORT		11	13	15	17
02	0502010175	HITCH CLAMP		11	13	15	17
03	0501011543	5/8" X 4" BOLT		22	26	30	34
04	0503012412	5/8 UNC SELF LOCKING NUT		22	26	30	34
05	0501054239	ARM SHORT LINE FERTILIZER WITH DDD LEFT		06	07	08	09
05A	0521061121	SHORT FERTILIZER ROW ARM		06	07	08	09
05B	0511018662	SPACING PLATE		28	32	36	40
05C	0501052977	DDD LEFT FERTILIZER 15 X 15 ASSY		06	07	08	09
05D	0503010547	1/2" X 4" BOLT		14	16	18	20
05E	0503011440	SPRING WASHER		14	16	18	20
05F	0503010060	1/2" NUT		12	14	16	18
06	0501054240	ARM LONG FERTILIZER LINE WITH DDD RIGHT		05	06	07	08
06A	0521061153	LONG ARM FERTILIZER LINE		05	06	07	08
06B	0501052976	15 X 15 RIGHT FERT UNAL DOUB-DISC ASSY		05	06	07	08
07	0501010066	3/4" X 9" BOLT		11	13	15	17
08	0521017831	SUPPORT SLEEVE SPACER		22	26	30	34
09	0511017232	FLAT WASHER		22	26	30	34
10	0503011255	3/4" LOCK NUT		11	13	15	17
11	0501058423	FERTILIZER ROD SPRING ROW		11	13	15	17
11A	0511069645	FERTILIZER SPRING ROD		11	13	15	17
11B	0502012196	SPRING GUIDE BEARING LOCK		12	14	16	18
11C	0501018535	1/2 X 1 BOLT		12	14	16	18
11D	0502012184	FERTILIZER SPRING GUIDE		11	13	15	17
11E	0503031910	1.7" X 22.8" X 0.3" SPRING		11	13	15	17
11F	0502012510	SPRING ROD SUPPORT		13	15	17	19
11G	0503030679	BOLT 1/2 UNC X 1.1/4 CSPC G.5 ZN		11	13	15	17
11H	0503030678	BOLT 1/2 UNC X 1.1/2 CSPC G.5 ZN		11	13	15	17
11I	0502010891	SPRING CHOCK SUPPORT VARON		11	13	15	17
11J	0503010014	3/4" NUT		11	13	15	17
11K	0561014471	COUPLING SHAFT		11	13	15	17
11L	0511017302	FLAT WASHER		11	13	15	17



**ULTRA FLEX SUPREMA  
FERTILIZER ROW ASSY**

Item	Code	Description	See page	11	13	15	17
11M	0503010257	1/8" X 1" COTTERPIN		11	13	15	17
12	0511044549	18" COULTER BLADE ASSY FOR SHORT ROW		06	07	08	09
13	0511044573	18" COULTER BLADE ASSY FOR LONG ROW		05	06	07	08
14	0503030391	RIGHT FERTILIZER NOZZLE		07	07	08	09
15	0503030392	LEFT FERTILIZER NOZZLE		04	06	07	08
16	0503031050	CURVED CONDUCTOR		16	18	20	22
17	0503010246	CLAMP		05	13	15	17
18	0503031145	2" X 2" X 20" HOSE		11	13	15	17
19	0503031076	2" HOSE CLAMP		22	26	30	34
20	0501110231	SCARIFIER HEAD WITH SPIKE 0061		11	13	15	17
20A	0511061768	FERTILIZER SCARIFIER SPINDLE		11	13	15	17
20B	0502070061	POINT SUBSOILER		11	13	15	17
20C	0503011373	0.4" X 1.1" SPRING PIN		11	13	15	17
20C.	0503010585	0,24" X 1.18" SPRING PIN		11	13	15	17
21	0511061852	ADJUSTAMENT CONDUCTOR FERTILIZER		11	13	15	17
22	0511017969	0.1" SPACING PLATE		22	26	30	34
23	0503010751	C3/8" X 1.1/4" HEX BOLT G.5		22	26	30	34
24	0501010984	FLAT WASHER		44	52	60	68
25	0503010025	3/8" SPRING WASHER		22	26	30	34
26	0503010026	3/8" NUT		22	26	30	34
27	0511016156	BOLT 5/8 UNC X1.1/2 CS PC G.5 ZN		22	26	30	34

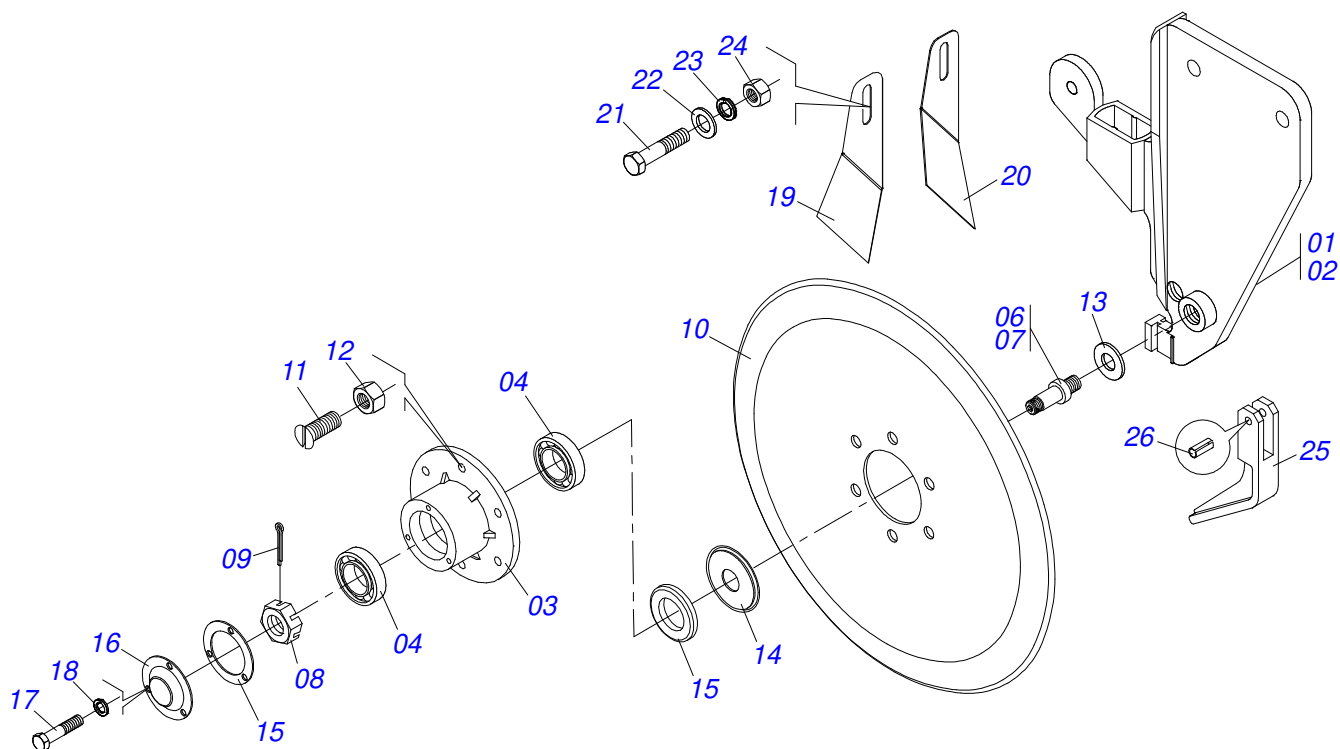




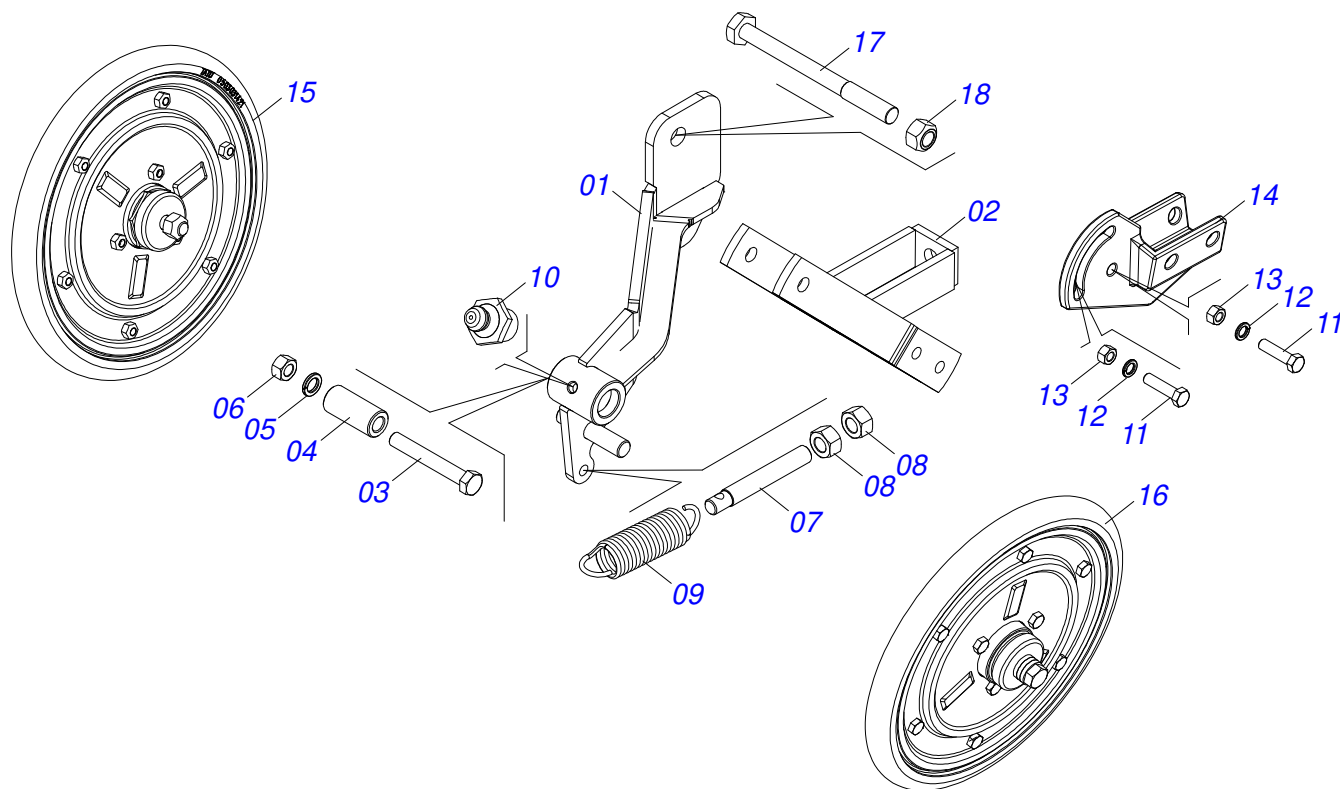
Item	Code	Description	See page	CT LG
00	0511044549	18" COULTER BLADE ASSY FOR SHORT ROW		01 00
00.	0511044573	18" COULTER BLADE ASSY FOR LONG ROW		00 01
01	0511067045	SHORT WHIT BEATER BLADE DISC FIX AXLE		01 00
02	0511067044	LONG WHIT BEATER BLADE DISC FIX AXLE		00 01
03	0502012368	BLADE DISC SUPPORT AXLE		01 01
04	0503010361	SPRING PIN		01 01
05	0521014137	RIGHT ARM OF THE BLADE DISC		01 01
06	0521014138	SUPPORT ARM LEFT BALDE DISC		01 01
07	0501067323	SPRING REGULATOR		01 01
08	0521010452	SLEEVE		01 01
09	0503013185	3/4" X 5-1/2" BOLT		01 01
10	0503011442	3/4" SPRING WASHER		01 01
11	0503010014	3/4" NUT		03 03
12	0502020393	SPRING UPPER SUPPORT		01 01
13	0502020394	SPRING SUPPORT		01 01
14	0503031341	2.7 X 8 X 0.5 COMPRESSION SPRING		01 01
15	0521015376	DUST CLOAK		02 02
16	0502011562	DC BOX		01 01
17	0503010276	6206 BALL BEARING		02 02
18	0521013610	BLADE DISC HUB AXLE		01 01
19	0521013510	3/4" NUT		02 02
20	0503011438	SPRING WASHER		02 02
21	0511015346	FLAT WASHER		02 02
22	0503012417	SEAL		02 02
23	0503011800	SEAL RING		02 02
24	0503010691	1/4" GREASE FITTING		01 01
25	0603026013	PLAIN COULTER BLADE		01 01
26	0502020641	BLADE DISC FLANGE		01 01
27	0503010371	5/16" X 1" BOLT		06 06
28	0503011444	SPRING WASHER		06 06
29	0503010337	5/16" NUT		06 06



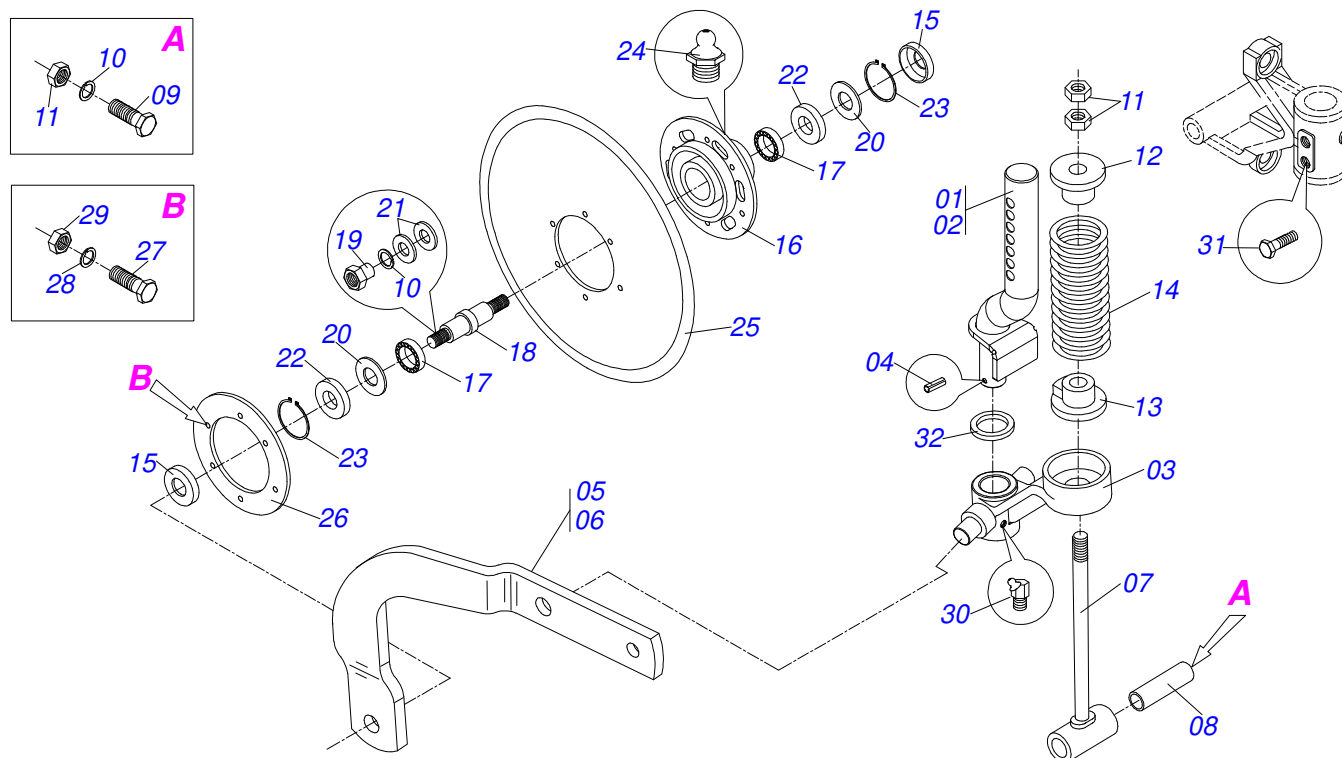
Item	Code	Description	See page	CT LG
30	0503010003	1845 GREASE FITTING		01 01
31	0511016156	BOLT 5/8 UNC X1.1/2 CS PC G.5 ZN		02 02
32	0541018684	FLAT WASHER		01 01



Item	Code	Description	See page	DIR	ESQ
00	0501052976	15 X 15 RIGHT FERT UNAL DOUB-DISC ASSY		01	00
00A	0501052977	DDD LEFT FERTILIZER 15 X 15 ASSY		00	01
01	0502011160	15"X15" RIGHT DOUBLE DISC SUPPORT		01	00
02	0502011161	15"X15" LEFT DOUBLE DISC SUPPORT		00	01
03	0502011930	DOUBLE DISC COULTER BOX		02	02
04	0503010598	30204 BALL BEARING		04	04
05	0503011112	SEAL 02376-BRG		02	02
06	0521019154	RIGHT DOUB DISC HUB		01	01
07	0521019148	LEFT DOUBLE DISC HUB		01	01
08	0503030282	3/4" CASTLE NUT		02	02
09	0503010257	1/8" X 1" COTTERPIN		02	02
10	0603022042	13" X 0.12" PLAIN COULTER BLADE		02	02
11	0503010546	5/16" X 7/8" BOLT		12	12
12	0503010337	5/16" NUT		02	02
13	0511015098	FLAT WASHER		06	06
14	0511011927	DUST CLOAK		02	02
15	0503030757	2.9" X 2" X 0.02" JOINT		02	02
16	0521019178	COVER DEPTH		02	02
17	0503014729	1/4" UNF X 1/2" BOLT		06	06
18	0503011441	SPRING WASHER		06	06
19	0501017541	RIGHT DOUBLE DISC SCRAPER		01	01
20	0501017542	LH DOUBLE DISC SCRAPER		01	01
21	0503010751	C3/8" X 1.1/4" HEX BOLT G.5		01	01
22	0501010984	FLAT WASHER		02	02
23	0503011443	3/8" SPRING WASHER		01	01
24	0503010026	3/8" NUT		01	01
25	0502070062	SCRAPER		01	01
26	0503011402	0.2" X 0.8" SPRING PIN		01	01



Item	Code	Description	See page	QT
00	0501054292	V RIGHT WHEEL PRESS FERTILIZER ASSY		01
00A	0501054293	V LEFT WHEEL PRESS FERTILIZER ASSY		01
01	0521062253	RIGHT PRESS WHEEL FERT UP SUPPORT		01
01.	0521062254	LEFT PRESS WHEEL FERT UPPER SUPPORT		01
02	0511064128	PRESS SUPPORT LOWWER WHEEL		01
03	0503010752	1/2" X 3.1/2" BOLT		01
04	0531013272	0.5" X 1" X 2.2" SLEEVE		01
05	0503010019	1/2" SPRING WASHER		01
06	0503010060	1/2" NUT		01
07	0501013491	5/8" TENSIONER SPRING		01
08	0503010013	5/8" NUT		02
09	0503030099	1.3" X 4.9" 0.2" TRACTION SPRING		01
10	0503010002	1800 GREASE FITTING		01
11	0503010849	3/8" X 1-1/2" BOLT		02
12	0503010025	3/8" SPRING WASHER		02
13	0503010026	3/8" NUT		02
14	0502011757	PRESS REGULATOR		01
15	0511054333	COMPACT WHEEL RIGHT WITH BEARING		01
16	0511054334	COMPACT WHEEL LEFT WITH BEARING		01
17	0503010795	5/8" X 7" BOLT		01
18	0503012412	5/8 UNC SELF LOCKING NUT		01



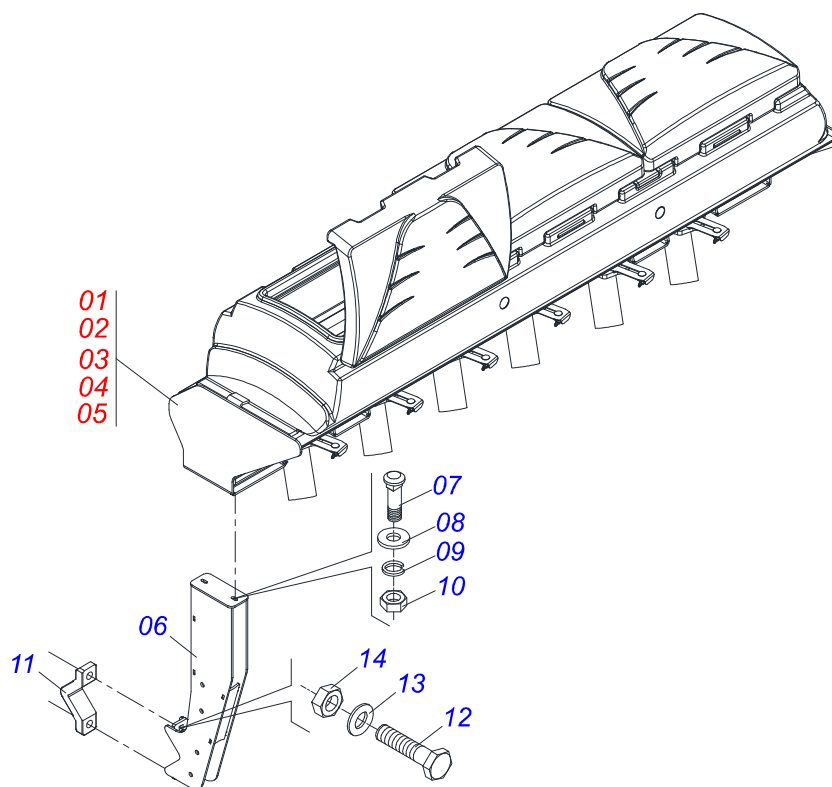
Item	Code	Description	See page	QT
00	0511044563	20" COULTER BLADE ASSY FOR SHORT ROW		01
00a	0511044585	20" COULTER BLADE ASSY FOR LONG ROW		01
00b	0511044550	22" BLADE DISC ASSY		01
00c	0511044574	22" BLADE DISC ASSY		01
01	0511067045	SHORT WHIT BEATER BLADE DISC FIX AXLE		01
02	0511067044	LONG WHIT BEATER BLADE DISC FIX AXLE		01
03	0502012368	BLADE DISC SUPPORT AXLE		01
04	0503010361	SPRING PIN		01
05	0521014137	RIGHT ARM OF THE BLADE DISC		01
06	0521014138	SUPPORT ARM LEFT BALDE DISC		01
07	0501067323	SPRING REGULATOR		01
08	0521010452	SLEEVE		01
09	0503013185	3/4" X 5-1/2" BOLT		01
10	0503011442	3/4" SPRING WASHER		01
11	0503010014	3/4" NUT		03
12	0502020393	SPRING UPPER SUPPORT		01
13	0502020394	SPRING SUPPORT		01
14	0503031341	2.7 X 8 X 0.5 COMPRESSION SPRING		01
15	0521015376	DUST CLOAK		02
16	0502011562	DC BOX		01
17	0503010276	6206 BALL BEARING		02
18	0521013610	BLADE DISC HUB AXLE		01
19	0521013510	3/4" NUT		02
20	0503011438	SPRING WASHER		02
21	0511015346	FLAT WASHER		02
22	0503012417	SEAL		02
23	0503011800	SEAL RING		02
24	0503010691	1/4" GREASE FITTING		01
25	0501054887	20 BLADE DISC WITH FLAT PLAN DISC		01
25.	0603029523	22" X 0.2" FLAT PLAIN DISC		01
26	0502020641	BLADE DISC FLANGE		01



**ULTRA FLEX SUPREMA**  
**BLADE DISC ASSY 20" TO 22"**

Page 17  
0909093210

Item	Code	Description	See page	QT
27	0503010371	5/16" X 1" BOLT		06
28	0503011444	SPRING WASHER		06
29	0503010337	5/16" NUT		06
30	0503010003	1845 GREASE FITTING		01
31	0511016156	BOLT 5/8 UNC X1.1/2 CS PC G.5 ZN		02
32	0541018684	FLAT WASHER		01



Item	Code	Description	See page	09	11	13	15	17
00	0511058101	ASSEMBLY CSU C3 SEMI MOUNTED 4045/4495		01	00	00	00	00
00A	0511058691	C2 ASSEMBLY CSU SEMI MOUNTED		00	01	00	00	00
00B	0511058698	C2 ASSEMBLY CSU 2 SEMI MOUNTED		00	00	01	00	00
00C	0511058716	C2 ASSEMBLY CSU SEMI MOUNTED		00	00	00	01	00
00D	0511058365	C3 ASSEMBLY CSU SEMI MOUNTED		00	00	00	00	01
00E	0511057779	ASSY CSU C3 SEMI MOUNTED UF 7545/15		00	00	00	01	00
01	0511058100	ENSEMBLE BOX UNIQUE SEED C3		01	00	00	00	00
02	0511056683	ENSEMBLE BOX UNIQUE SEED C2		00	01	00	00	00
03	0511059753	ENSEMBLE BOX UNIQUE SEED C2		00	00	01	00	00
04	0511056230	ENSEMBLE BOX UNIQUE SEED C2		00	00	00	01	00
04.	0511057780	ASSEMBLY CSU		00	00	00	01	00
05	0511058364	ENSEMBLE BOX UNIQUE SEED C3 2CX 5B + 2CX 6B C/17 C		00	00	00	00	01
06	0521066208	SUPPORT TOWER SILO		04	04	06	06	08
06.	0521051927	TOWER SUPPORT HOPPER		00	00	00	08	00
07	0501010942	3/8" X 1-1/4" BOLT		08	08	12	12	16
08	0501010984	FLAT WASHER		08	08	12	12	16
09	0503010025	3/8" SPRING WASHER		08	08	12	12	16
10	0503010026	3/8" NUT		08	08	12	12	16
11	0502010175	HITCH CLAMP		04	04	06	06	08
12	0501011543	5/8" X 4" BOLT		08	08	12	12	16
13	0501012140	FLAT WASHER		08	08	12	12	16
14	0503012412	5/8 UNC SELF LOCKING NUT		08	08	12	12	16







[www.marchesan.com.br](http://www.marchesan.com.br)



**Technical Publications | Elaboration and Revision**  
JOSÉ DOMINGOS GASPARI