

ROW CROP PLANTERS

PTM

Code: 0501090889
Series: S-0109
Revision: 00
Date Revision: JUNHO/2023

PARTS CATALOGUE



MARCHESAN



PRODUCTS

Code	Description
0117010001	PTM S-0109
0117010004	PTM 2 LINHAS S-0109
0117010002	PTM S/SIST ADB COMPL S-0109

ATTENTION: IMPORTANT

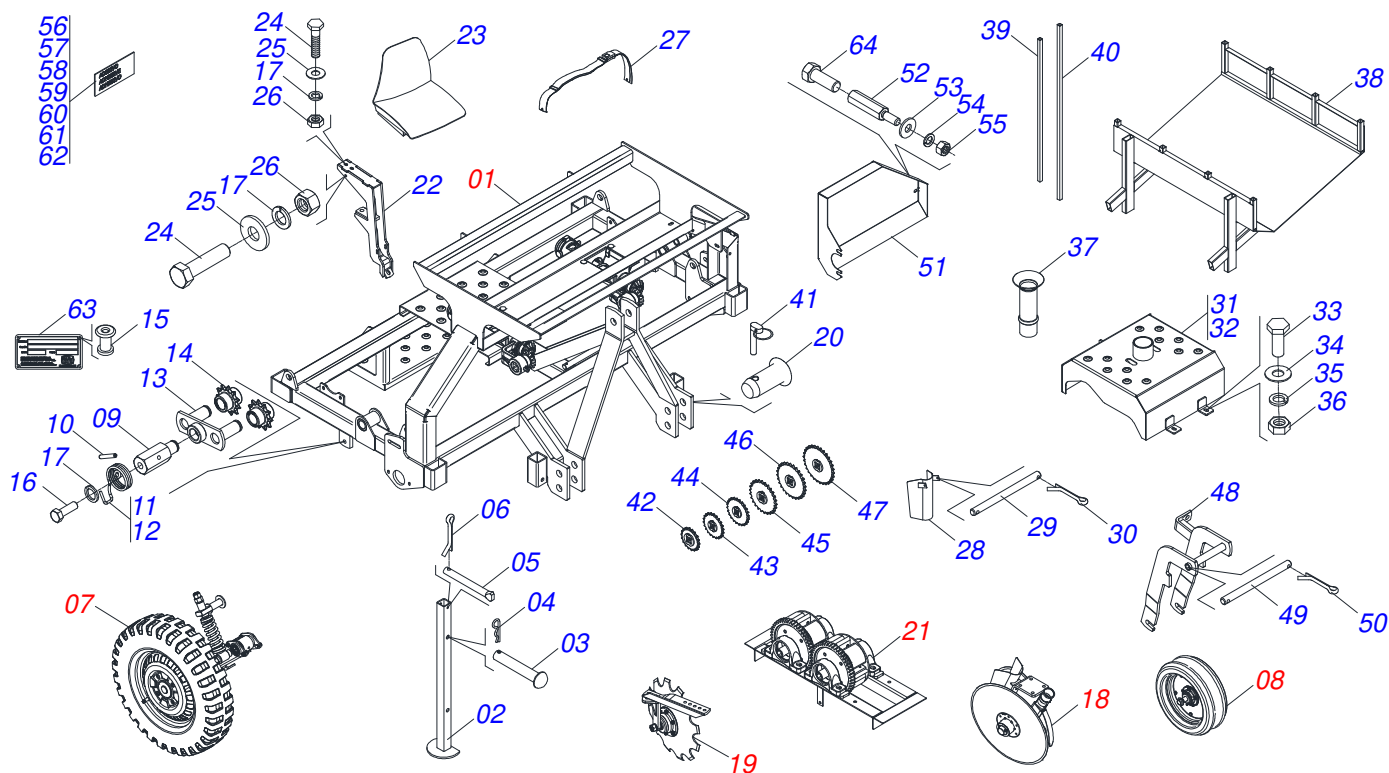
Marchesan S.A. reserves the right to improve and/or modify the technical features of its products, without obligation to do the same with those products already sold and without prior knowledge of the dealer or the customer. The photos are only illustrative.



MARCHESAN

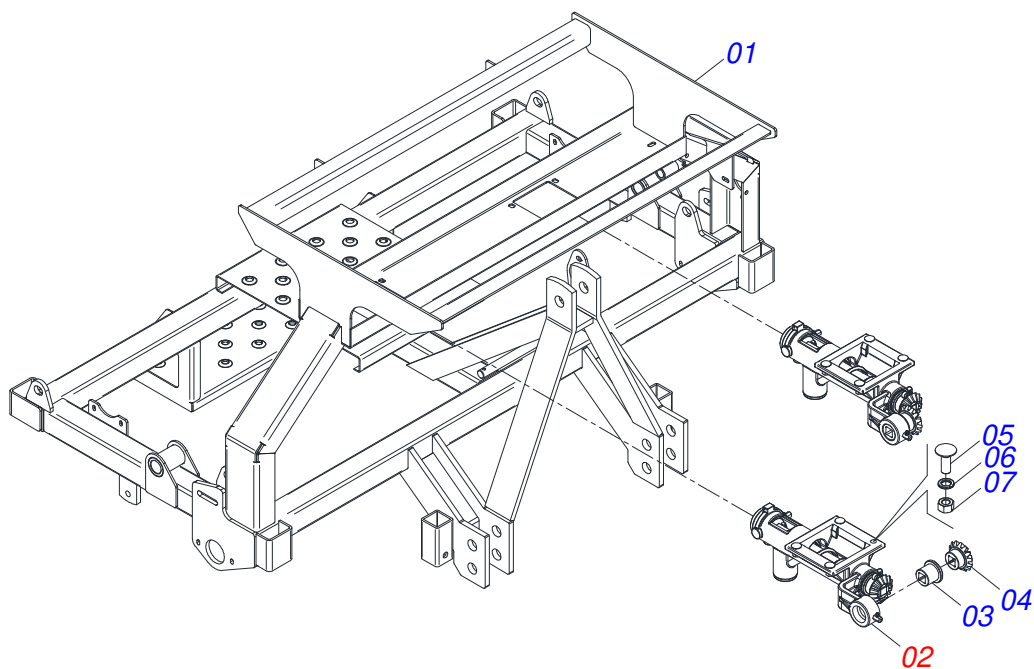
INDEX

0909093107	FRAME	1
0501059280	CHASSIS WITH DISTRIBUTOR	2
0501055357	FERTILIZER DISTRIBUTOR LEFT ASSY	3
0909093108	CARRYING WHEELS ARM	4
0501059272	LH WHEEL ARM	5
0501059273	LEFT WHEEL ARM	6
0501059313	AGRICULTURAL BEARING	7
0503060105	WELL AND TIRE ASSY	8
0501059278	CONCAVE PRESS VHEEL	9
0909093112	UNAL DOUBLE-DISC	10
0501059279	SUPPORT UNAL DOUB-DISC	11
0909093110	COVER DISC	12
0501059274	RIGHT COVER DISC	13
0501059275	LH COVER DISC	14
0909093109	CHOPPER CASSAVA ASSY	15
0511048137	CHOPPER CASSAVA ASSY	16
0501059271	CHOPPER ROLLER ASSY	17
0501059270	FOLLOWER ASSY	18
0521047702	AGRICULTURAL BEARING	19
0531054849	AXLE	20
0909093111	BOX FERTILIZER SUPPORT ASSY	21
0501053120	BEARING ASSY OF THE GEAR BOX	22
0501052759	ASSY GEARBOX BEARING	23
0503060693	FERTILIZER HOPPER ASSY	24
0501048790	AXLE WITH RING	25
0531055783	WHEEL SUPPORT TIGHTENER	26
0531055786	CHAIN TIGHTENER	27
0531055785	WHEEL SUPPORT TIGHTENER	28



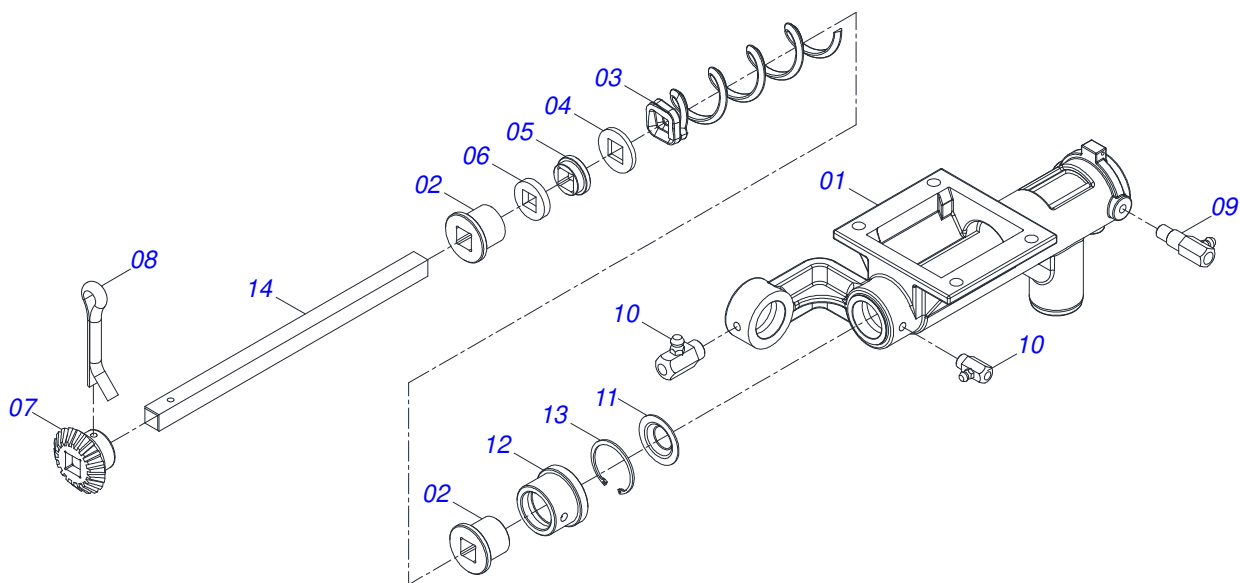
Item	Code	Description	See page	QT
01	0501059280	CHASSIS WITH DISTRIBUTOR	2	01
01.	0521060892	FRAME		01
02	0501065337	PLOUGH SUPPORT		02
03	0521010809	11,11 X 64 COUPLING SHAFT		02
04	0503030168	HITCH PIN CLIP		02
05	0521010530	JUNCTION AXLE 6,80 X 60		02
06	0503010140	1/8" X 3/4" COTTERPIN		02
07	0909093108	CARRYING WHEELS ARM	4	01
08	0501059278	CONCAVE PRESS VHEEL	9	02
09	0531016874	SEED AXLE TIGHTENER CHAIN LINE		02
10	0503010292	701164 6 X 40 SPRING PIN		02
11	0503030394	1.7"X 1.4"X 0.14" LH TORSION SPRING		01
12	0503030417	1.7"X 1.4"X 0.14" RH TORSION SPRING		01
13	0521060721	CHAIN TENSIONER		02
14	0503031805	11Z 1/2" GEAR		04
15	0503010001	3.2 X 5.5 RIVET		04
16	0503010920	1/2 UNC X 1.1/2 C S G.5 ZN BOLT		02
17	0503010019	1/2" SPRING WASHER		10
18	0909093112	UNAL DOUBLE-DISC	10	02
19	0909093110	COVER DISC	12	02
20	0521010577	0.9" X 4.1" COUPLING SHAFT		03
21	0909093109	CHOPPER CASSAVA ASSY	15	02
22	0521060907	SEAT SUPPORT		02
23	0503030591	SEAT		02
24	0501010161	1/2" X 1.1/4" BOLT		08
25	0511017302	FLAT WASHER 13,50 X 32,50 X 3,0 ZN		08
26	0503010060	1/2 UNC G.5 ZN HEX NUT		08
27	0503032137	SAFETY BELT		02
28	0521060905	SLIDES		02
29	0561013770	PIVOT SHAFT		02
30	0503010257	1/8" X 1" COTTERPIN		04

Item	Code	Description	See page	QT
31	0521060913	CHIPPER PROTECTOR RIGHT		01
32	0521061086	LEFT CHIPPER PROTECTOR		01
33	0503011088	3/8" X 1-1/4" BOLT		06
34	0501010984	10,50 X 27 X 3,00 FLAT WASHER		06
35	0503010025	3/8 SPRING WASHER		06
36	0503010026	3/8" NUT		06
37	0521060901	CONDUCTOR		02
38	0521060894	PLATFORM		02
39	0561013767	TUBE SQUARE		08
40	0561013768	SQUARE TUBE		08
41	0503030085	LOCK PIN		03
42	0511061757	18Z GEAR		02
43	0521060880	GEAR 22 TEETH		02
44	0521061129	24Z GEAR		02
45	0511067501	26Z GEAR		02
46	0511064536	28Z GEAR		02
47	0511065366	GEAR 30Z P 12.7		02
48	0521060910	PRESS WHEEL SUPPORT		02
49	0561013769	PRESS WHEEL PIVOT SHAFT		02
50	0503010071	3/16" X 1" COTTERPIN		04
51	0571010812	PROTECTION COVER		01
52	0571010813	PROTECTION CAP FIXER		02
53	0501810694	FLAT WASHER		02
54	0503010179	LOCK WASHER 5/16 ZN 1K01528		02
55	0503010337	5/16" NUT		02
56	0503033128	ADHESIVE LABEL TABLE FERTILIZER		01
57	0503033126	ADHESIVE LABEL		01
58	0503033924	ADHESIVE LABEL		02
59	0503033913	ADHESIVE LABEL		01
60	0503033874	ADHESIVE LABEL LOGO TATU BOX 180X545		01
61	0503033853	ADHESIVE LABEL		02
62	0503031428	READ MANUAL DECAL		01
63	0503034003	SERIAL NUMBER TAG 61 X 118		01
64	0503010363	BOLT 5/16 UNC X 1 C S G.2 ZN		02

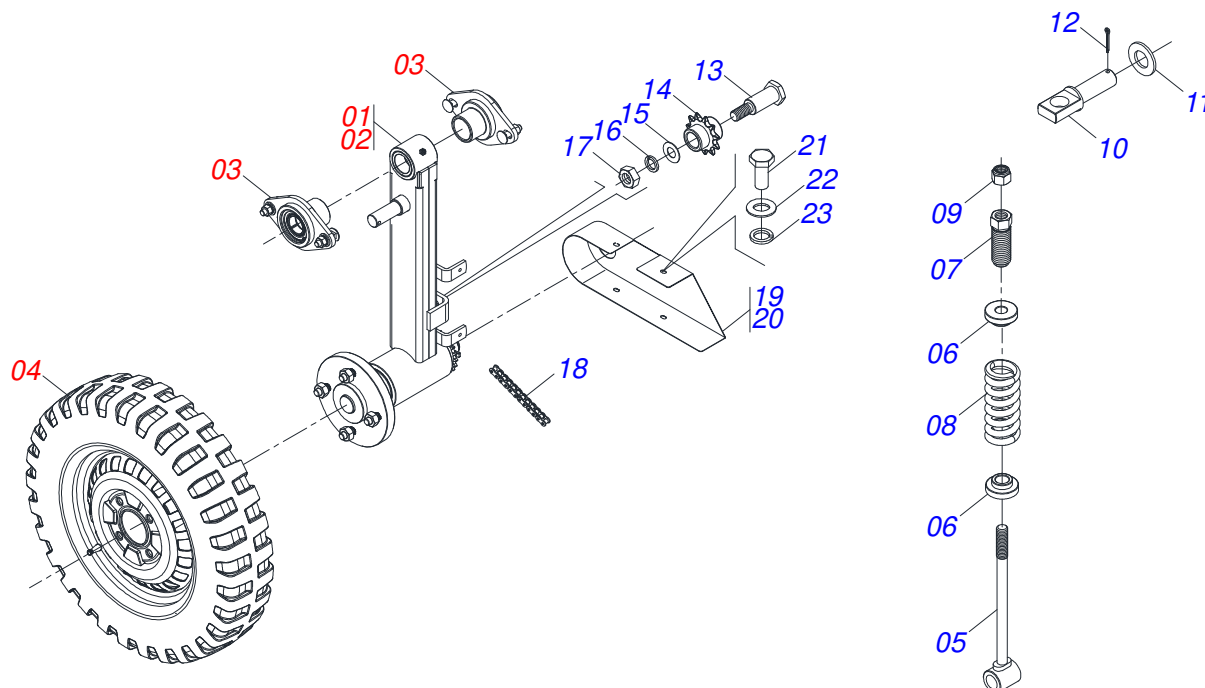


Item	Code	Description	See page	QT
01	0521060892	FRAME		01
02	0501055357	FERTILIZER DISTRIBUTOR LEFT ASSY	3	02
03	0503030275	AGRICULTURAL BEARING		02
04	0502012990	CONICA 14Z SQUARE GEAR		02
05	0501011643	3/8 X 1" BOLT		08
06	0503010025	3/8 SPRING WASHER		08
07	0503010026	3/8" NUT		08

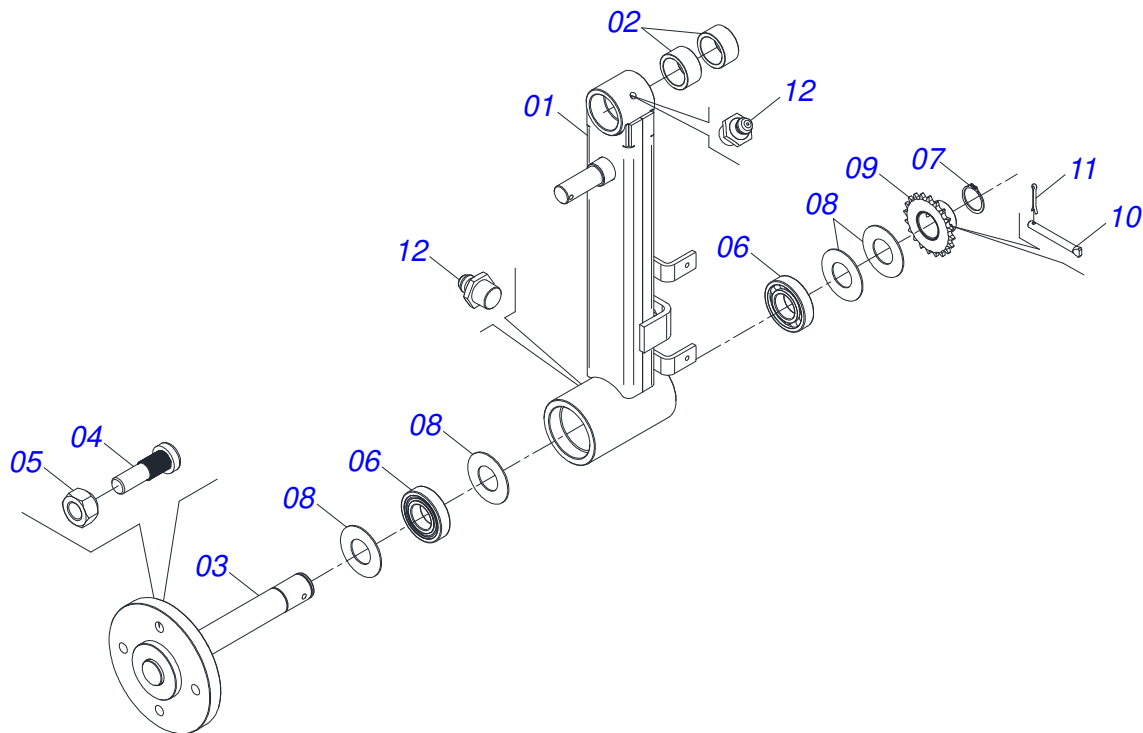
FERTILIZER DISTRIBUTOR LEFT ASSY



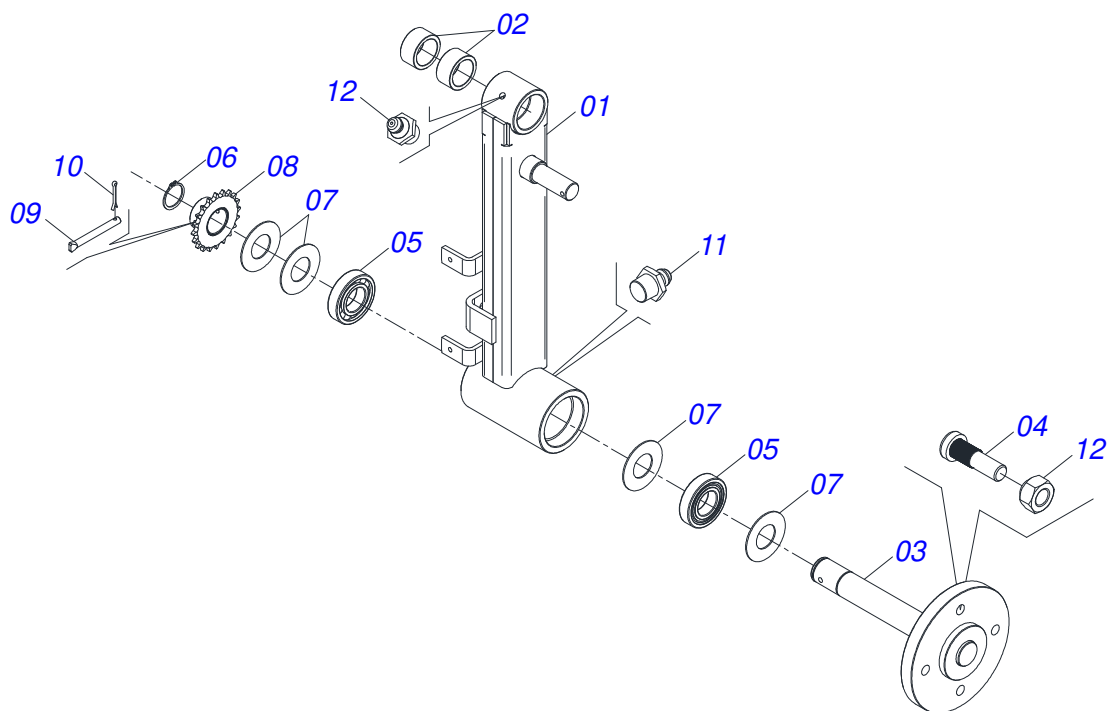
Item	Code	Description	See page	QT
01	0501110143	TUBE FERTILIZER METERING BODY		01
02	0503030275	AGRICULTURAL BEARING		02
03	0503031165	LEFT HELICOID CONDUCTOR		01
04	0511017137	FLAT WASHER		01
05	0503030303	SUPPORT WASHER		01
06	0501013774	GREASE SEAL		01
07	0502011412	18Z CONICAL GEAR		01
08	0503010523	1/4" X 2" SPLIT PIN		01
09	0503011962	GREASE FITTING		01
10	0503012826	CREASE FITTING		02
11	0571011152	DOUBLE DISC CAP		01
12	0571019534	DISTRIBUTION GLOVE		01
13	0503015081	502052 CLAMPING RING (FOR AXLE)		01
14	0571019536	DISTRIBUTOR AXIS FERTILIZER		01



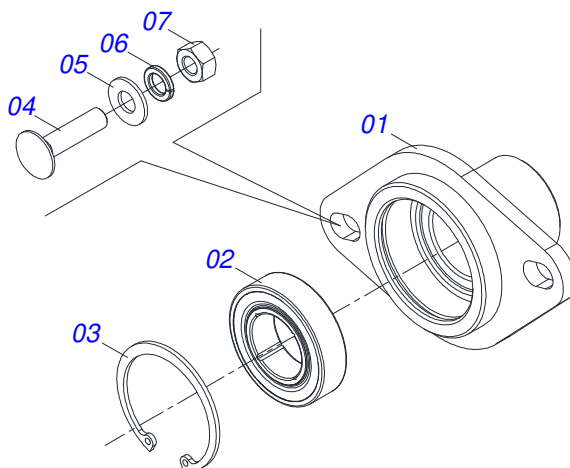
Item	Code	Description	See page	QT
01	0501059272	LH WHEEL ARM	5	01
02	0501059273	LEFT WHEEL ARM	6	01
03	0501059313	AGRICULTURAL BEARING	7	04
04	0503060105	WELL AND TIRE ASSY	8	02
05	0521060898	SPRING GUIDE VARON		02
06	1902011235	SPRING GUIDE BUSHING		04
07	0521018575	REGULATOR SPINDLE 100		02
08	0503030110	2.3"X 5.5"X 0.4" COMPRESSION SPRING		02
09	0503011075	3/4" UNC NUT		02
10	0561013764	FLOAT		02
11	0501017779	32 X 60 X 4.75 FLAT WASHER		02
12	0503010571	1/4" X 1.1/2 COTTERPIN		04
13	0531019398	AXLE TENSIONER CHAIN GEAR BOX		02
14	0503031805	11Z 1/2" GEAR		02
15	0511017302	FLAT WASHER 13,50 X 32,50 X 3,0 ZN		02
16	0503010019	1/2" SPRING WASHER		02
17	0503010060	1/2 UNC G.5 ZN HEX NUT		02
18	0503012390	40-1 CHAIN X 93 LINK + MENDING		02
19	0561013760	RIGHT PROTECTIVE CAP		01
20	0561013759	COVER		01
21	0503010295	SCREW 5/16 UNC X 5/8 CS G.2 ZN		08
22	0501010694	FLAT WASHER		08
23	0503010179	LOCK WASHER 5/16 ZN 1K01528		08



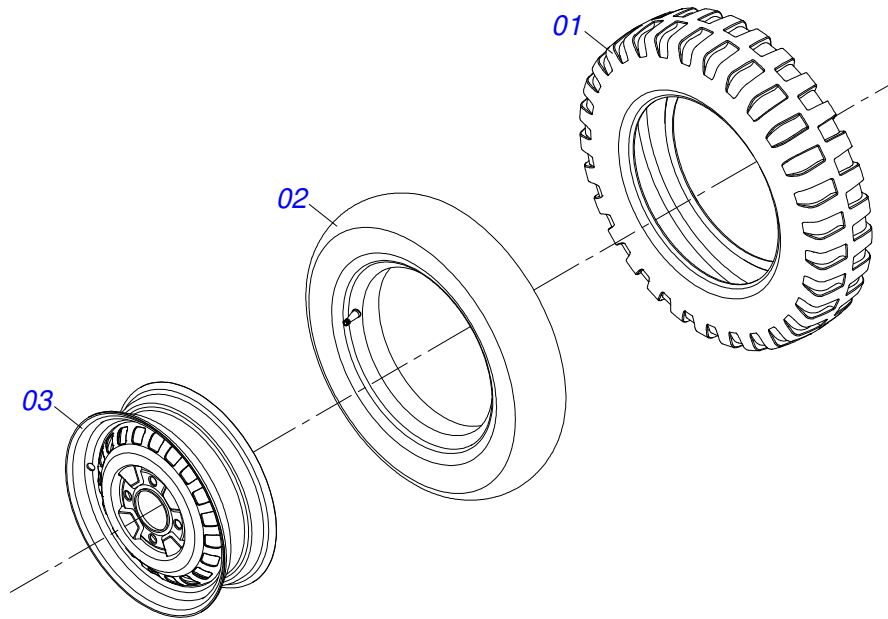
Item	Code	Description	See page	QT
01	0521060902	DEPTH WHEEL ARM		01
02	0561013765	SLEEVE WEELS		02
03	0501069944	FALNGE AXLE CARRYING-WHEELS		01
04	0501010127	9/16" X 1-7/8" LUG BOLT		04
05	0503010035	9/16" CONIC NUT		04
06	0503010816	6207 RS ROLLER BEARING		02
07	0503010845	501035 CLAMPING RING (FOR AXLE)		01
08	0561016791	FLAT WASHER		04
09	0521061115	DRIVER GEAR		01
10	0521010530	JUNCTION AXLE 6,80 X 60		01
11	0503010140	1/8" X 3/4" COTTERPIN		01
12	0503010002	1800 GREASE FITTING		02



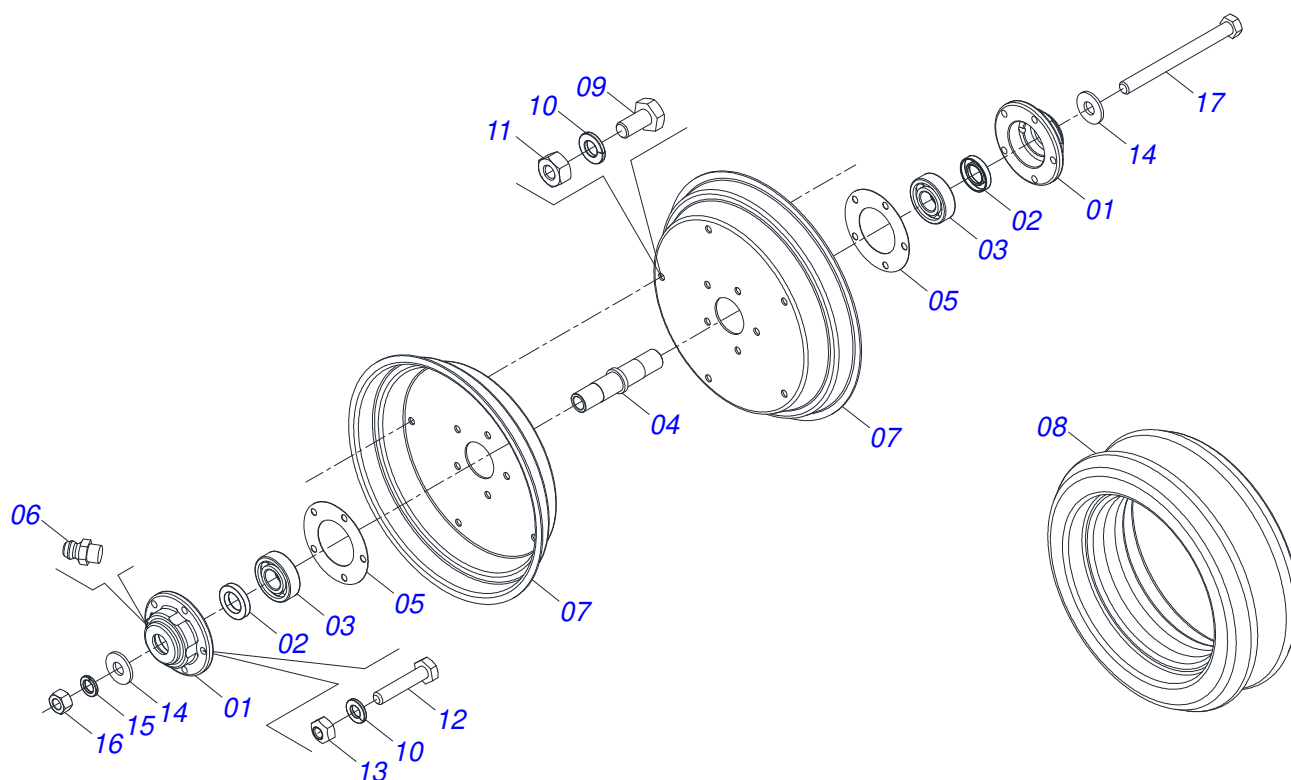
Item	Code	Description	See page	QT
01	0521060903	DEPTH WHEEL ARM		01
02	0561013765	SLEEVE WEELS		02
03	0501069944	FALNGE AXLE CARRYING-WHEELS		01
04	0501010127	9/16" X 1-7/8" LUG BOLT		04
05	0503010816	6207 RS ROLLER BEARING		02
06	0503010845	501035 CLAMPING RING (FOR AXLE)		01
07	0561016791	FLAT WASHER		04
08	0521061115	DRIVER GEAR		01
09	0521010530	JUNCTION AXLE 6,80 X 60		01
10	0503010140	1/8" X 3/4" COTTERPIN		01
11	0503010002	1800 GREASE FITTING		02
12	0503010035	9/16" CONIC NUT		04



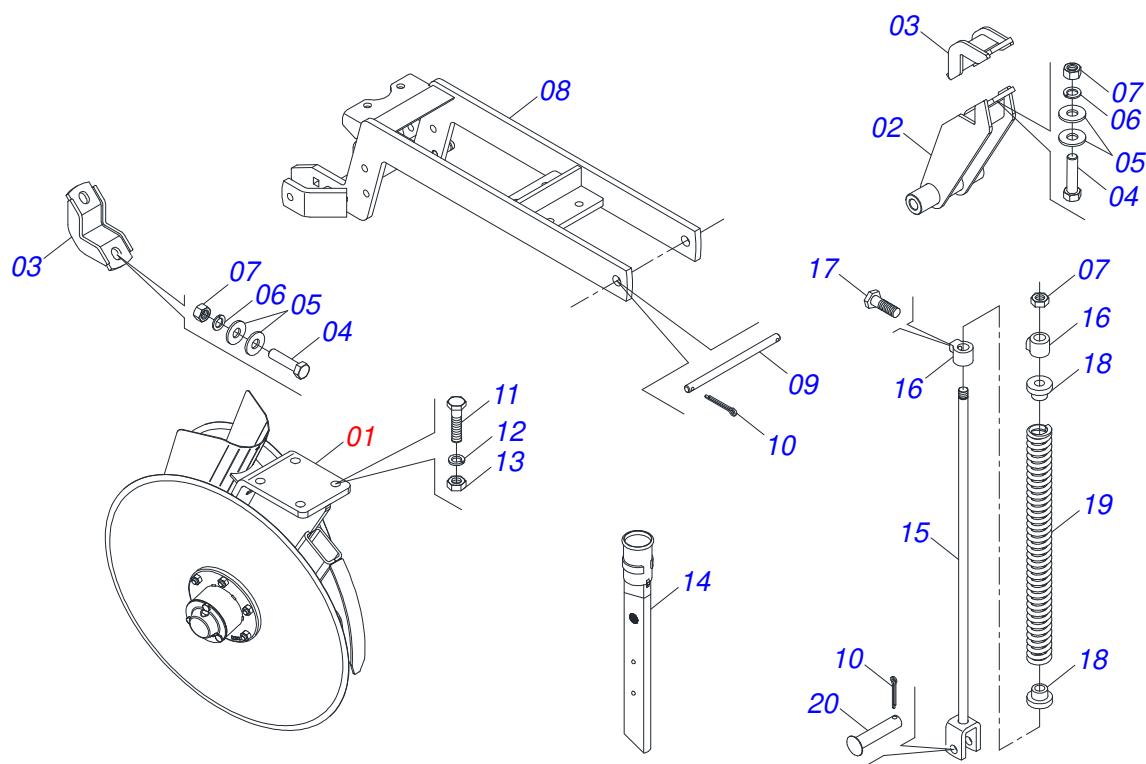
Item	Code	Description	See page	QT
01	0521060912	CARRYING-WHEELS OF THE BEARING		01
02	0503013462	BEARING WITH BALL BEARING		01
03	0503011105	SEAL RING		01
04	0503011762	SCREW 5/16UNC X 1.1/4 CAPQ G.2 ZN		02
05	0501010694	FLAT WASHER		02
06	0503010179	LOCK WASHER 5/16 ZN 1K01528		02
07	0503010337	5/16" NUT		02



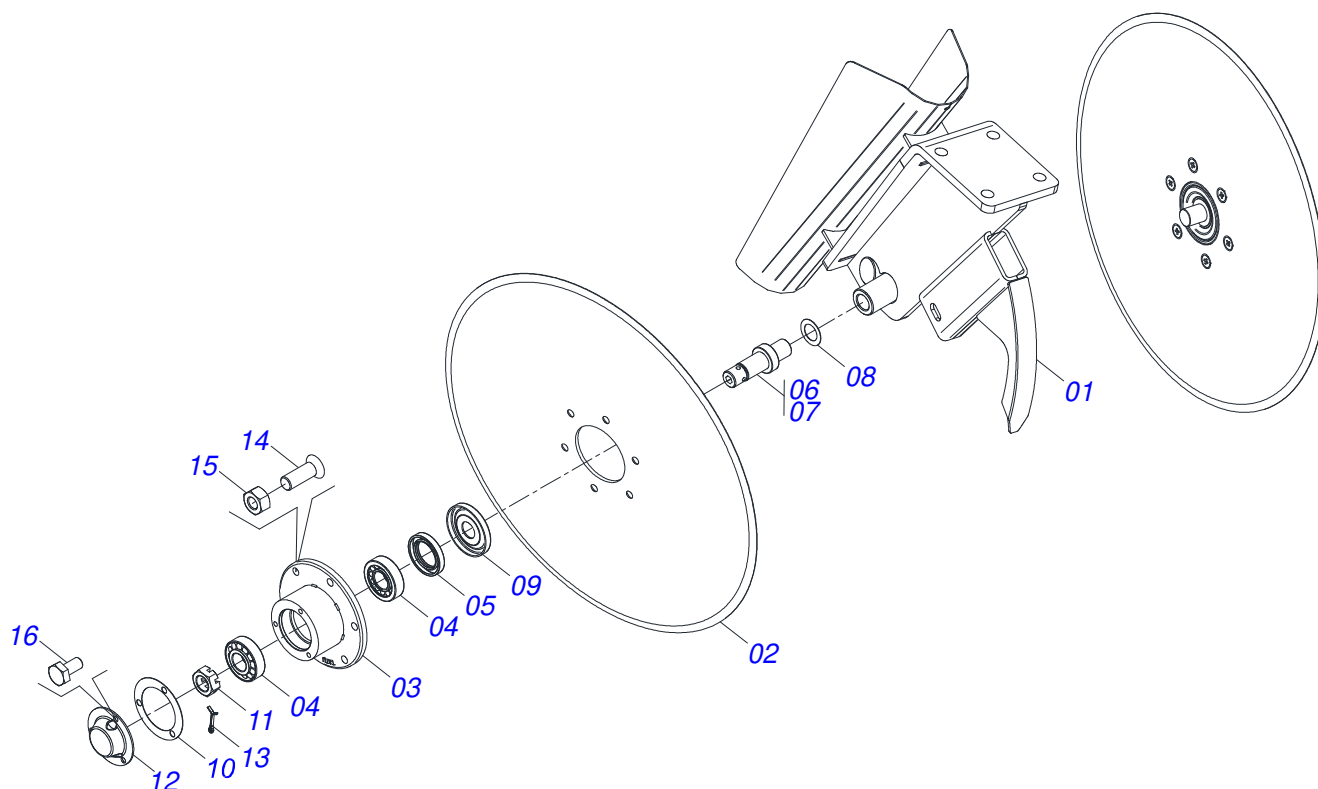
Item	Code	Description	See page	QT
01	0503011010	CANVAS TIRE		01
02	0503010791	AR F 15 INNER TIRE		01
03	0503010789	0.2"J X 15H2" X0.2"F X0.6"X6" WHEEL		01



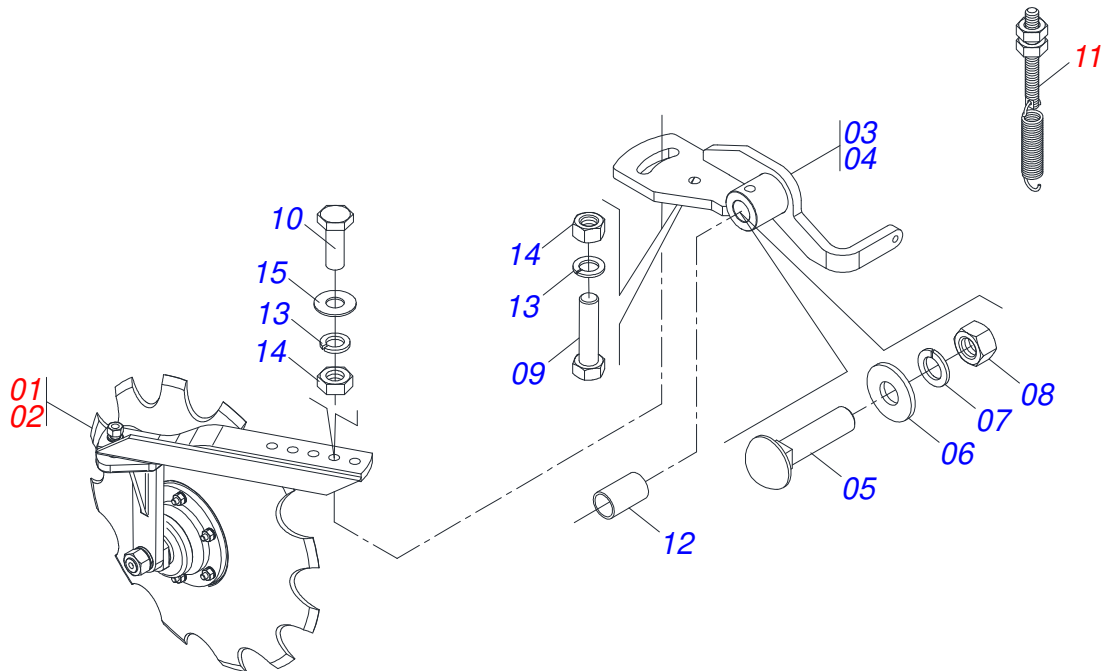
Item	Code	Description	See page	QT
01	0502020600	MARKER ARM DISC HUB		02
02	0503010272	SEAL 00715-BA		02
03	0503010269	6204 BALL BEARING		02
04	0581018310	COMPACTOR WHEEL SLEEVE		01
05	0503030143	3.3" X 1.9" X 0.1" JOINT		02
06	0503010691	1/4" GREASE FITTING		02
07	0521010831	RIM FLANGE		02
08	0503030400	DEPTH CONTROL WHEEL RUBBER BAND		01
09	0503010298	1/4" X 1/2" BOLT		05
10	0503010143	1/4" SPRING WASHER		10
11	0503010144	1/4" NUT		05
12	0503010743	1/4" X 1-1/4" BOLT		05
13	0503013814	1/4" NC LOCKNUT		05
14	0511817302	FLAT WASHER		02
15	0503010019	1/2" SPRING WASHER		01
16	0503010060	1/2 UNC G.5 ZN HEX NUT		01
17	0503011411	1/2" X 5-1/2" BOLT		01



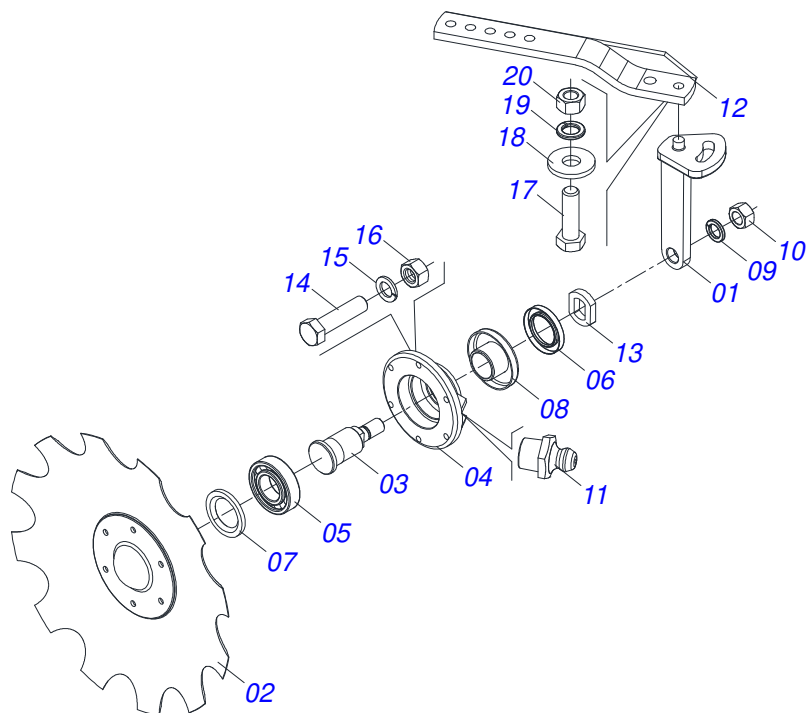
Item	Code	Description	See page	QT
01	0501059279	SUPPORT UNAL DOUB-DISC	11	01
02	0521060911	ROW SUPPORT PTM		02
03	0521060906	PTM ROW FIXER		04
04	0503010762	SCREW 5/8 UNC X 3.1/2 CS G.5 ZN		08
05	0501011299	FLAT WASHER		16
06	0503010027	5/8 SPRING WASHER		08
07	0503010013	5/8 NUT		08
08	0521060893	ROW FRAME		02
09	0561013766	ROW PIVOT SHAFT		02
10	0503010571	1/4" X 1.1/2 COTTERPIN		04
11	0503010239	BOLT 1/2 UNC X 1.1/2 C S G.2 ZN		08
12	0503010019	1/2" SPRING WASHER		08
13	0503010060	1/2 UNC G.5 ZN HEX NUT		08
14	0503030520	SEED SOCKET		02
15	0511060376	SEED SPRING GUIDE		02
16	0502040534	SPRING GUIDE BUSHING LOCK		04
17	0501018535	1/2 X 1 BOLT		04
18	0502011756	FERTILIZER SPRING SEAT		04
19	0503031340	1.7"X 19" X 0.3" COMPRESSION SPRING		02
20	0521010542	COUPLING SHAFT		02



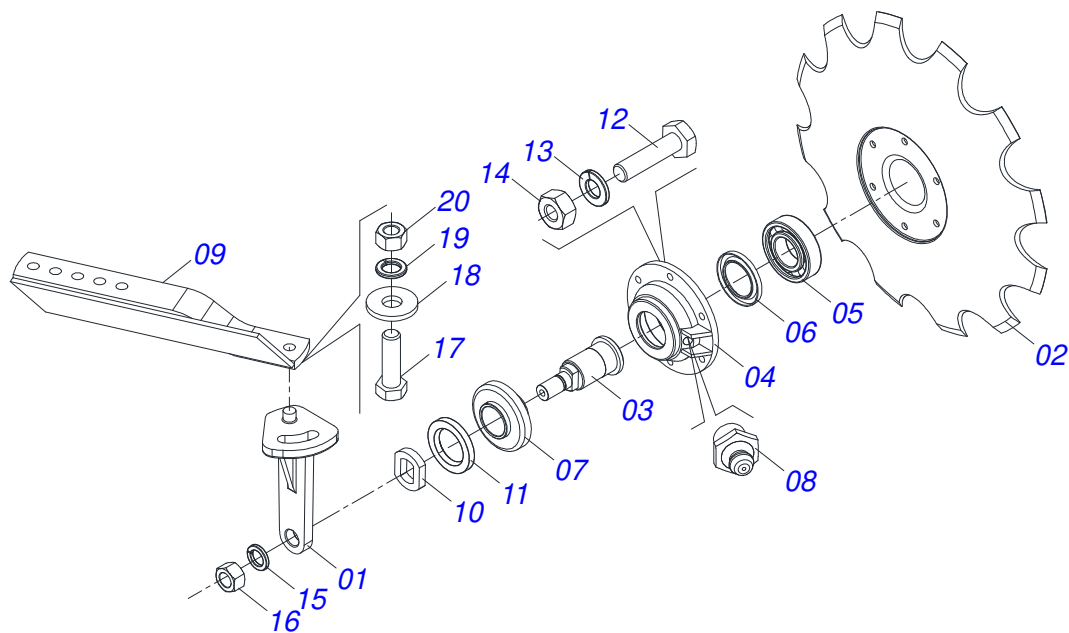
Item	Code	Description	See page	QT
01	0521060904	SOPPORT DOUB-DISC		01
02	0603024043	PLAIN COULTER BLADE		02
03	0502011930	OPENING DISCS HUB		02
04	0503010598	30204 BALL BEARING		04
05	0503011112	SEAL 02376-BRG		02
06	0521019154	RIGHT DOUB DISC HUB		01
07	0521019148	LEFT DOUBLE DISC HUB		01
08	0511015098	FLAT WASHER		04
09	0511011927	DUST CLOAK		02
10	0503030757	2.9" X 2" X 0.02" JOINT		02
11	0503030282	3/4" CASTLE NUT		02
12	0521019178	PROTECTION LID		02
13	0503010257	1/8" X 1" COTTERPIN		02
14	0503010546	5/16" X 7/8" BOLT		12
15	0503010337	5/16" NUT		12
16	0503010298	1/4" X 1/2" BOLT		06



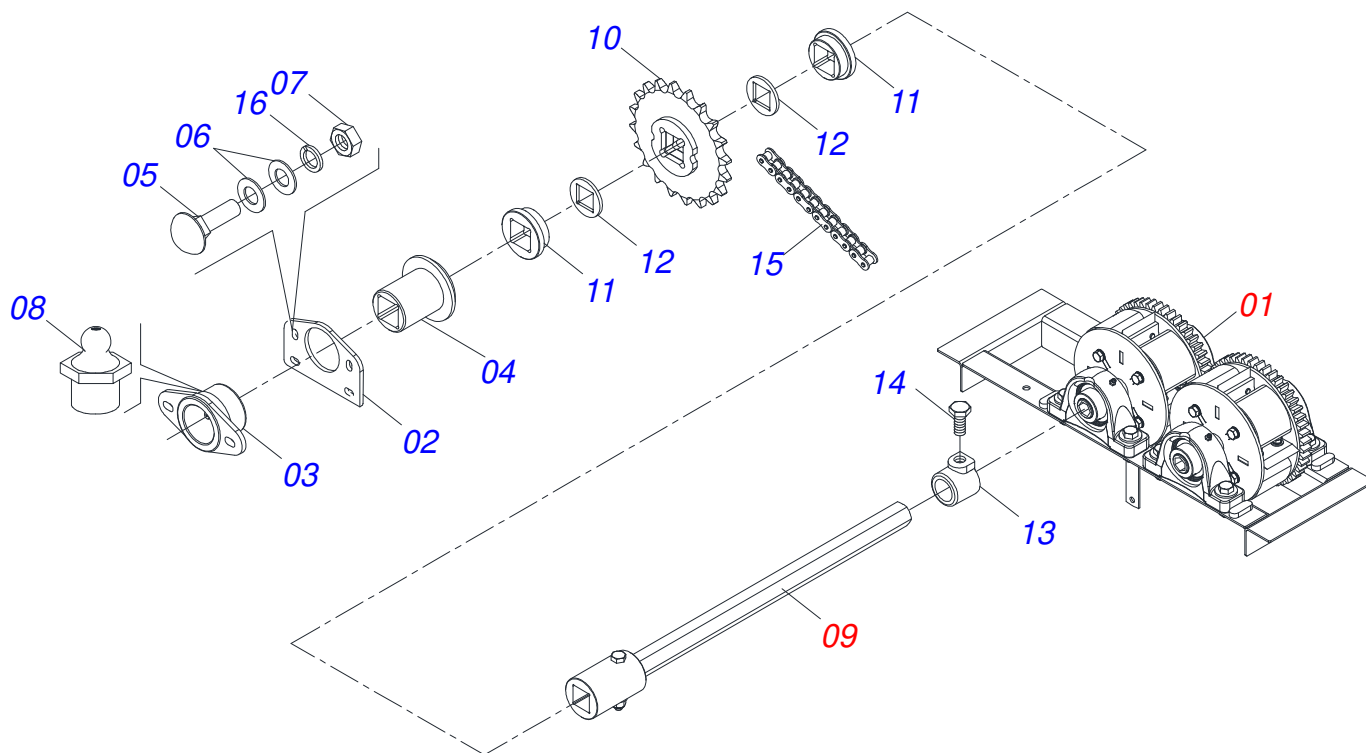
Item	Code	Description	See page	QT
01	0501059274	RIGHT COVER DISC	13	02
02	0501059275	LH COVER DISC	14	02
03	0521060895	RH COVER DISC PIVOT		02
04	0521060896	ARTICULACION DISCO COBRIDOR IZQUI		02
05	0503012110	1/2" X 3-3/4" BOLT		04
06	0511017302	FLAT WASHER 13,50 X 32,50 X 3,0 ZN		04
07	0503010019	1/2" SPRING WASHER		04
08	0503010060	1/2 UNC G.5 ZN HEX NUT		04
09	0503011088	3/8" X 1-1/4" BOLT		04
09.	0503010751	C3/8" X 1.1/4" HEX BOLT G.5		04
10	0503010849	3/8" X 1-1/2" BOLT		04
11	0501059277	TENSIONER ASSY		06
12	0561017076	SLEEVE 19,05 X 13,50 X 49		04
13	0503010025	3/8 SPRING WASHER		08
14	0503010026	3/8" NUT		08
15	0501010984	10,50 X 27 X 3,00 FLAT WASHER		04



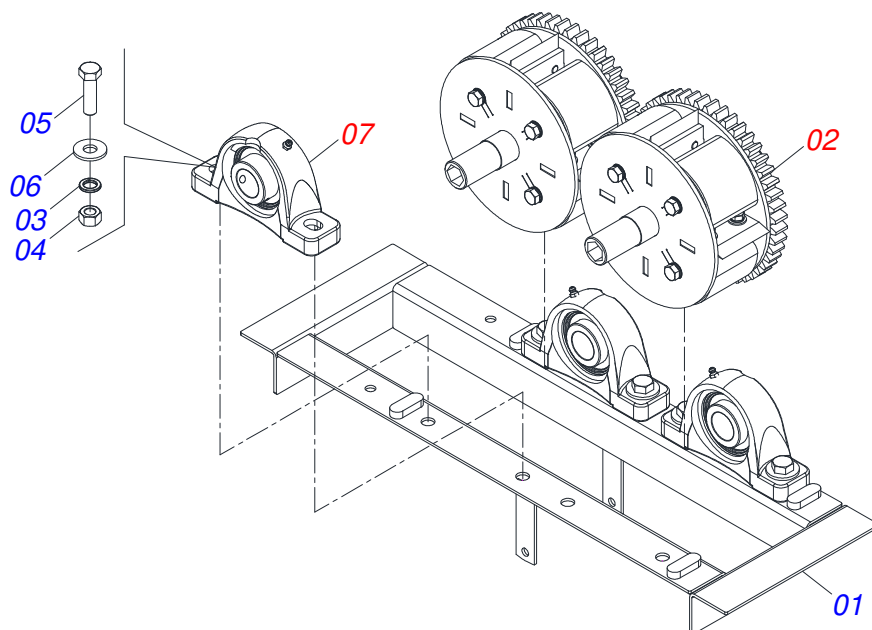
Item	Code	Description	See page	QT
01	0502012595	RH REGULATOR ARM		01
02	0602020014	NOTCHED DISC BLADE		01
03	0501014235	DISC HUB AXLE		01
04	0502020610	DISC HUB SIMPLE		01
05	0503010276	6206 BALL BEARING		01
06	0503010525	00797-BA SEAL		01
07	0503010526	3011 SEAL RING		01
08	0501068986	BUSHING WITH DUST CLOAK		01
09	0503010027	5/8 SPRING WASHER		01
10	0503010129	5/8" NUT		01
11	0503010002	1800 GREASE FITTING		01
12	0521060899	ADJUSTING DISC COVER		01
13	0561014664	DISC COVER LOCK		01
14	0503010461	1/4" X 1" BOLT		06
15	0503010143	1/4" SPRING WASHER		06
16	0503010144	1/4" NUT		06
17	0503010751	C3/8" X 1.1/4" HEX BOLT G.5		01
18	0501010984	10,50 X 27 X 3,00 FLAT WASHER		01
19	0503010025	3/8 SPRING WASHER		01
20	0503010026	3/8" NUT		01



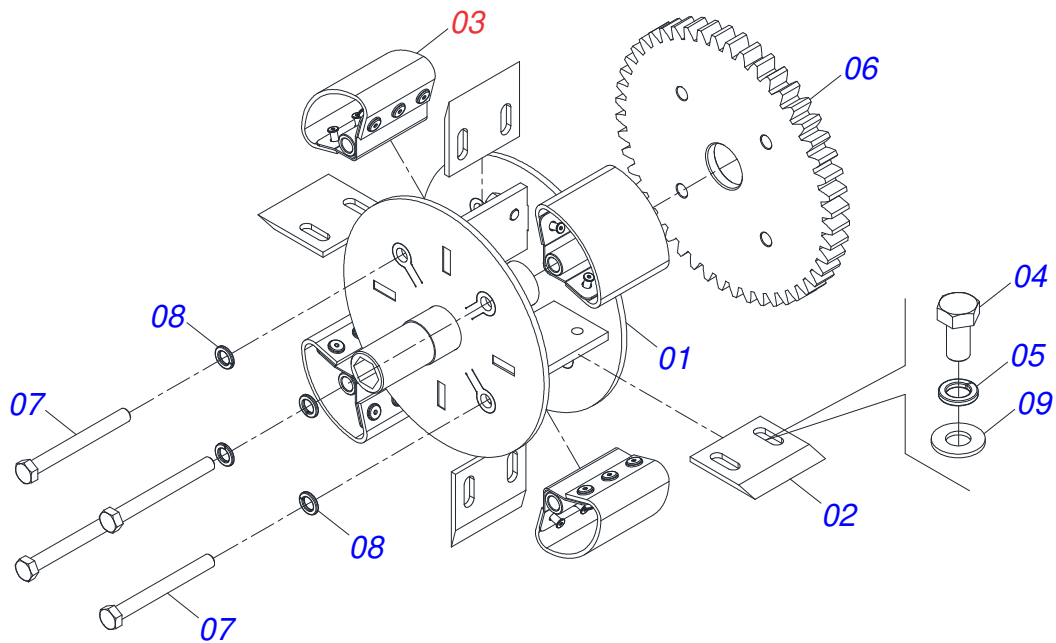
Item	Code	Description	See page	QT
01	0502012596	LH REGULATOR ARM		01
02	0602020014	NOTCHED DISC BLADE		01
03	0501014235	DISC HUB AXLE		01
04	0502020610	DISC HUB SIMPLE		01
05	0503010276	6206 BALL BEARING		01
06	0503010526	3011 SEAL RING		01
07	0501068986	BUSHING WITH DUST CLOAK		01
08	0503010002	1800 GREASE FITTING		01
09	0521060900	ADJUSTING DISC COVER		01
10	0561014664	DISC COVER LOCK		01
11	0503010525	00797-BA SEAL		01
12	0503010461	1/4" X 1" BOLT		06
13	0503010143	1/4" SPRING WASHER		06
14	0503010144	1/4" NUT		06
15	0503010027	5/8 SPRING WASHER		01
16	0503010129	5/8" NUT		01
17	0503010751	C3/8" X 1.1/4" HEX BOLT G.5		01
18	0501010984	10,50 X 27 X 3,00 FLAT WASHER		01
19	0503010025	3/8 SPRING WASHER		01
20	0503010026	3/8" NUT		01



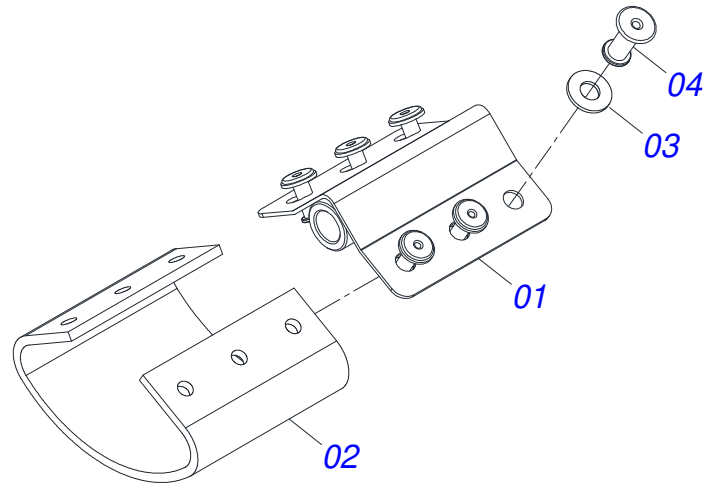
Item	Code	Description	See page	QT
01	0511048137	CHOPPER CASSAVA ASSY	16	01
02	0561014451	BEARING CHOPPER SUPPORT		02
03	0501110392	HOPPER SUPPORT BEARING		02
04	0521012485	GEAR BOX BEARING AGRICUTURAL		02
05	0503011953	5/16" X 1" BOLT		08
06	0501010694	FLAT WASHER		16
07	0503010337	5/16" NUT		08
08	0503010002	1800 GREASE FITTING		02
09	0531054849	AXLE	20	02
10	0511065209	20Z GEAR		02
11	0503030303	SUPPORT WASHER		04
12	0521018630	1.4" X SQUARE 0.8" WASHER		04
13	0511063123	BUSHING WITH NUT		02
14	0503010834	1/2 X 1 BOLT		02
15	0503012707	40-1 CHAIN X 96 LINK + REDUCTION		02
16	0503010179	LOCK WASHER 5/16 ZN 1K01528		04



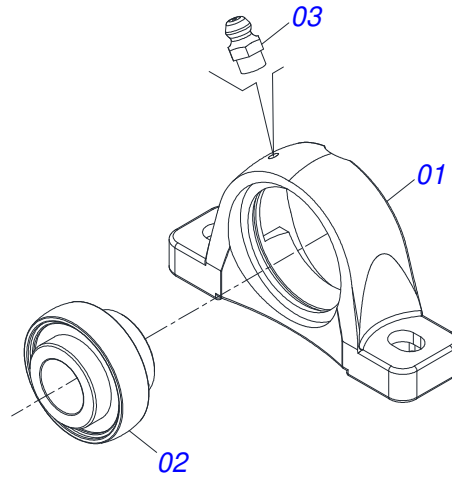
Item	Code	Description	See page	QT
01	0521060909	CHOPPER SUPPORT		01
02	0501059271	CHOPPER ROLLER ASSY	17	02
03	0503010019	1/2" SPRING WASHER		08
04	0503010060	1/2 UNC G.5 ZN HEX NUT		08
05	0503010238	BOLT 1/2 UNC X 1.3/4 CS G.2 ZN		08
06	0511017302	FLAT WASHER 13,50 X 32,50 X 3,0 ZN		08
07	0521047702	AGRICULTURAL BEARING	19	04



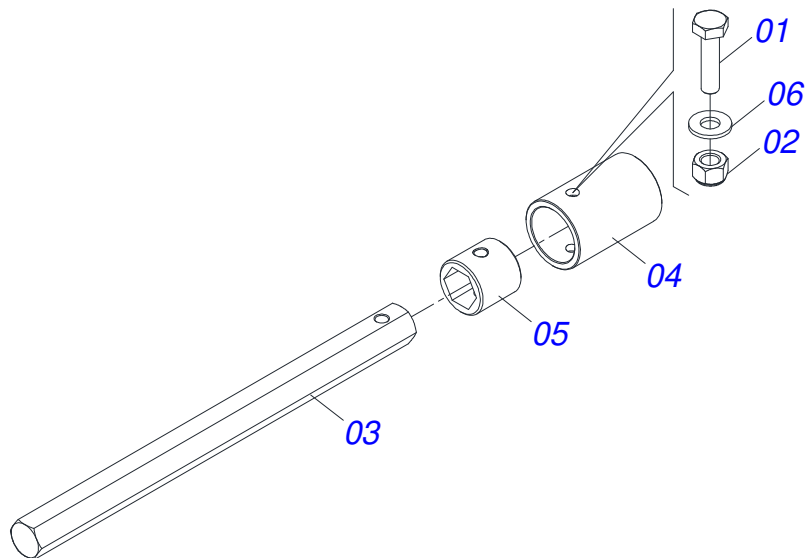
Item	Code	Description	See page	QT
01	0521060908	CHOPPER ROLLER ASSY		01
02	0561013797	CHOPPER BLADE		04
03	0501059270	FOLLOWER ASSY	18	04
04	0503010295	SCREW 5/16 UNC X 5/8 CS G.2 ZN		08
05	0503010179	LOCK WASHER 5/16 ZN 1K01528		08
06	0561013763	CHOPPER GEAR		01
07	0503010718	3/8" X 3-1/2" BOLT		04
08	0503010025	3/8 SPRING WASHER		04
09	0501010694	FLAT WASHER		08



Item	Code	Description	See page	QT
01	0521060897	PULLER RUBBER SUPPORT		01
02	0561014452	RUBBER BLANKET		01
03	0503010669	FLAT WASHER		06
04	0503012358	RIVET POP		06

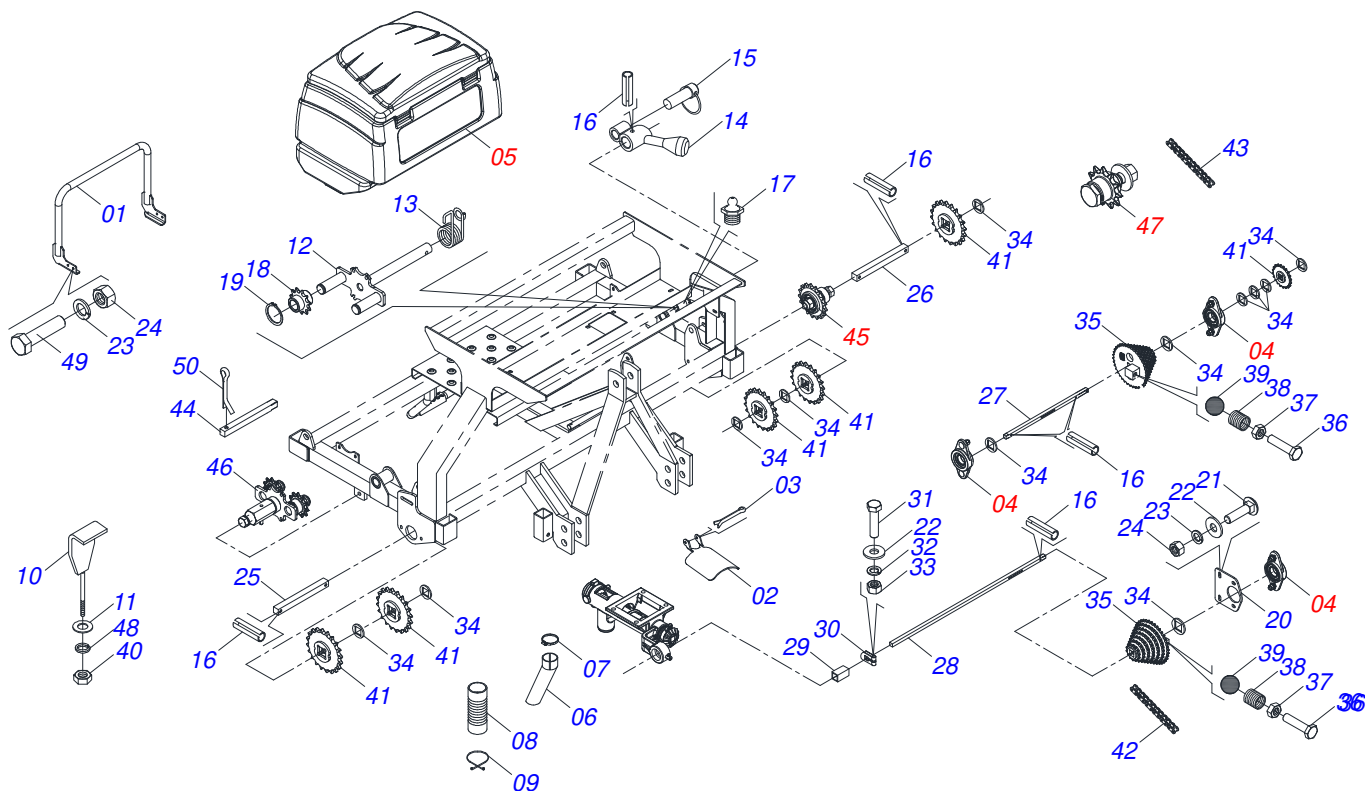


Item	Code	Description	See page	QT
01	0502011954	AGRICULTURAL HOUSING BEARING		01
02	0503011884	BALL BEARING		01
03	0503010691	1/4" GREASE FITTING		01



Item	Code	Description	See page	QT
01	0503014491	SCREW 1/4 UNC X 2 CS G.5 ZN		01
02	0503014876	NUT PARLOCK 1/4"		01
03	0501213714	HEXAGONAL SHAFT		01
04	0501213716	SQUARE BUSHING		01
05	0501213715	HEX BUSHING		01
06	0511017303	FLAT WASHER		01

BOX FERTILIZER SUPPORT ASSY



Item	Code	Description	See page	QT
01	0521066140	BAR		01
02	0551019117	FERTILIZER DISTRIBUTOR COVER		02
03	0503010362	1/8 X 1.1/4 COTTERPIN		02
04	0501053120	BEARING ASSY OF THE GEAR BOX	22	03
05	0503060693	FERTILIZER HOPPER ASSY	24	01
06	0503031050	CURVED CONDUCTOR		02
07	0503010246	CLAMP		02
08	0503030408	2X2X390 HOSE		02
09	0503031076	2" HOSE CLAMP		04
10	0511065804	SIMPLE FERTILIZER BOX CLAMP		02
11	0501010984	10,50 X 27 X 3,00 FLAT WASHER		02
12	0521061021	TENSIONER CHAIN		01
13	0503031367	SPRING		01
14	0502011758	REAR TIGHTENER LEVER		01
14.	0502012669	LEVER TENSIONER REAR		01
15	0501048790	AXLE WITH RING	25	01
16	0503010292	701164 6 X 40 SPRING PIN		07
17	0503010002	1800 GREASE FITTING		01
18	0503031805	11Z 1/2" GEAR		02
19	0503010302	501019 SEAL RING		02
20	0561014450	FERTILIZER BEARING SUPPORT		01
21	0503011953	5/16" X 1" BOLT		08
22	0501010694	FLAT WASHER		09
23	0503010179	LOCK WASHER 5/16 ZN 1K01528		12
24	0503010337	5/16" NUT		12
25	0561013761	SQUARE SHAFT		01
26	0561013762	SQUARE SHAFT		01
27	0561014448	MOTOR SHAFT		01
28	0561014449	FERTILIZER AXLE		01
29	0551018055	22,65 X 60 SLEEVE		01
30	0521010691	AXLE FASTENER		01

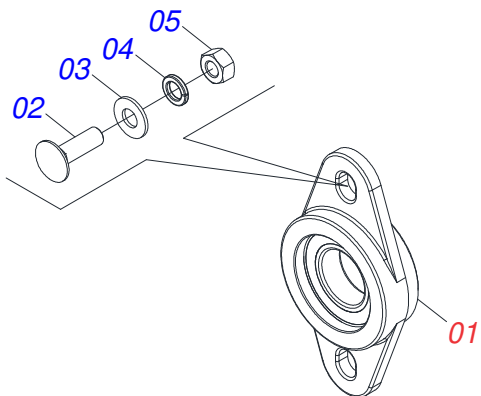


BOX FERTILIZER SUPPORT ASSY

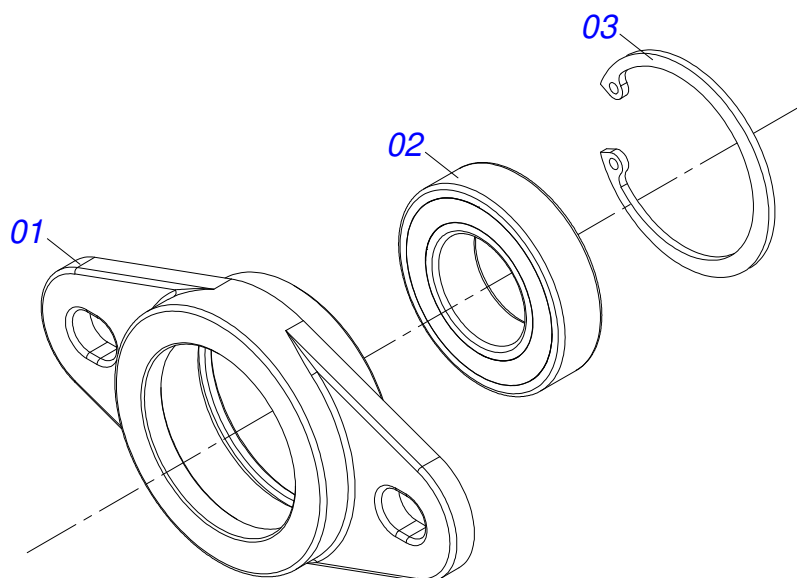
0909093111

Item	Code	Description	See page	QT
31	0503010373	SCREW 1/4 UNC X 2 CS G.2 ZN		01
32	0503011441	SPRING WASHER		01
33	0503010144	1/4" NUT		01
34	0521018630	1.4" X SQUARE 0.8" WASHER		12
35	0511060396	DRIVE/DRIVEN SHAFT		02
36	0503010395	1/2" X 1-1/4" BOLT		02
37	0503010060	1/2 UNC G.5 ZN HEX NUT		03
38	0503031512	0.4" X 0.1" X 2" X 0.6" SPRING		02
39	0503012389	1/2 BALL		02
40	0503010026	3/8" NUT		10
41	0511065209	20Z GEAR		06
42	0503012515	40-1 X CHAIN 77 LINK+ MENDING		01
43	0503011106	40-1 CHAIN X 58 LINK + REDUCTION		01
44	0501213713			01
45	0531055783	WHEEL SUPPORT TIGHTENER	26	01
46	0531055786	CHAIN TIGHTENER	27	01
47	0531055785	WHEEL SUPPORT TIGHTENER	28	01
48	0503010025	3/8 SPRING WASHER		10
49	0503010240	BOLT		04
50	0503010131	3/16" X 1-1/2" COTTERPIN		04

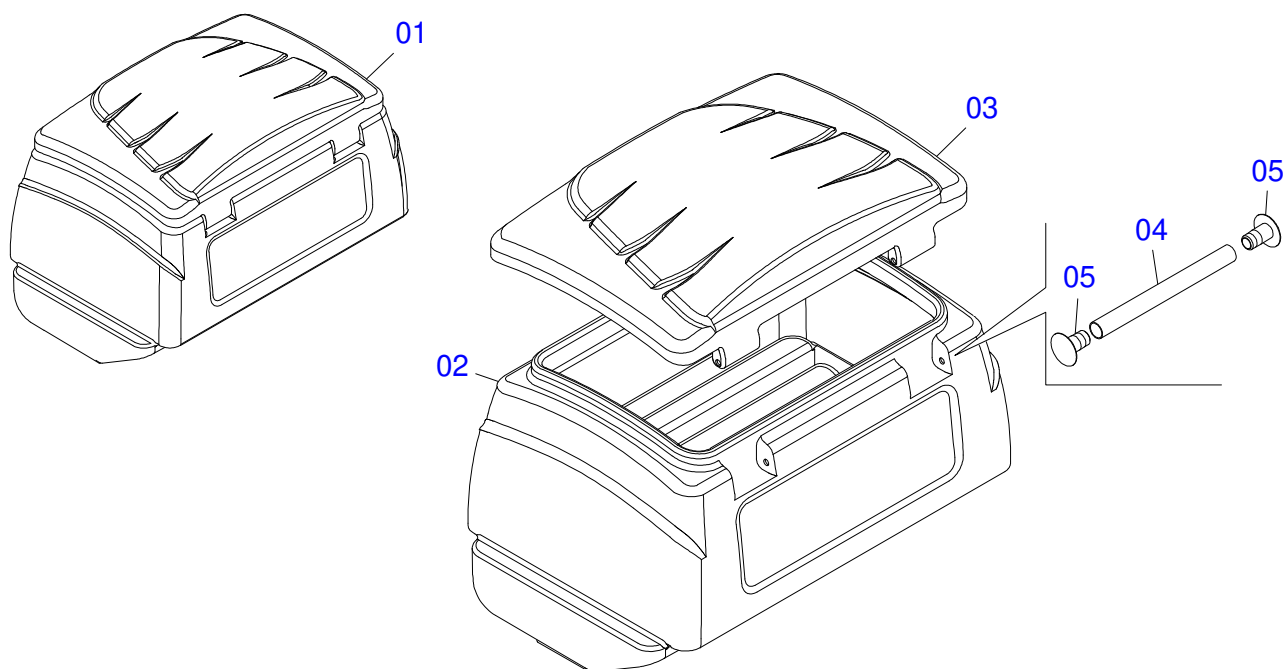
BEARING ASSY OF THE GEAR BOX



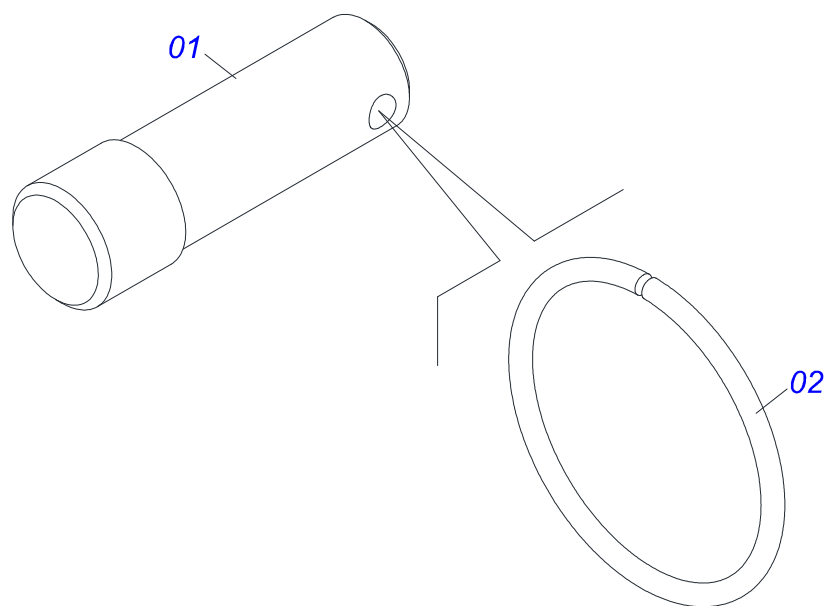
Item	Code	Description	See page	QT
01	0501052759	ASSY GEARBOX BEARING	23	01
02	0503011953	5/16" X 1" BOLT		02
03	0501010694	FLAT WASHER		02
04	0503010179	LOCK WASHER 5/16 ZN 1K01528		02
05	0503010337	5/16" NUT		02



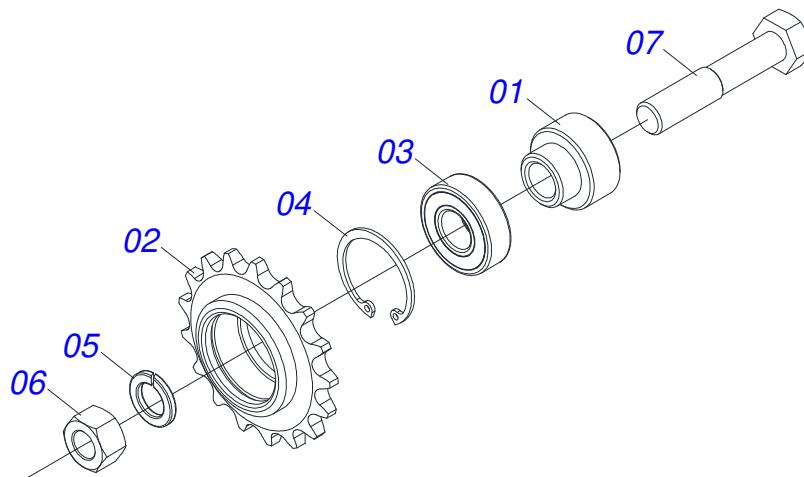
Item	Code	Description	See page	QT
01	0502011697	GEARBOX BEARING		01
02	0503011410	ROLLER BEARING		01
03	0503011105	SEAL RING		01



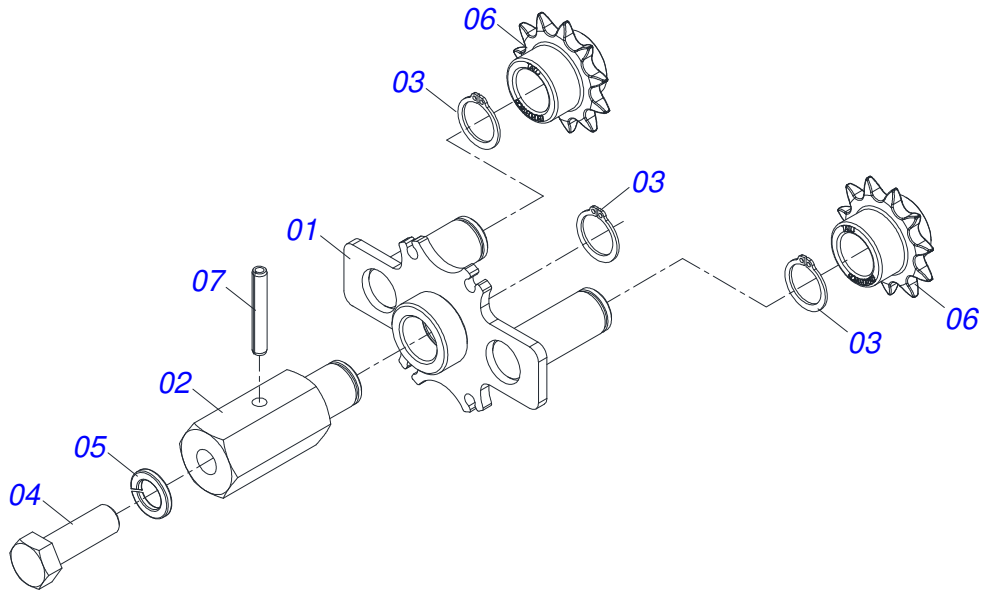
Item	Code	Description	See page	QT
01	0503060693	FERTILIZER HOPPER ASSY	24	01
02	0503032048	BOX FERTILIZER		01
03	0503032049	FERTILIZER BOX COVER		01
04	0503032052	LID ARTICULATING SHAFT		02
05	0503032051	LID SHAFT FIXER		04



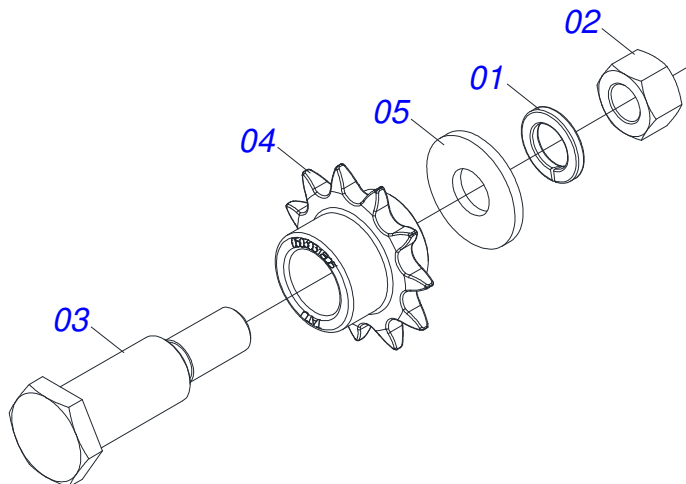
Item	Code	Description	See page	QT
01	0521012476	GEAR BOX LEVER AXLE		01
02	0503031369	LINK		01



Item	Code	Description	See page	QT
01	0591016137	GLOVE 21 X 31.75 X 24.90		01
02	0502012367	17Z X P 1/2" GEAR INTERM		01
03	0503012882	BEARING		01
04	0503011945	503050 CLAMPING RING (FOR AXLE)		01
05	0503010019	1/2" SPRING WASHER		01
06	0503010060	1/2 UNC G.5 ZN HEX NUT		01
07	0503011172	BOLT 1/2 UNC X 2.1/2 C S G.5 ZN		01



Item	Code	Description	See page	QT
01	0531064329	TIGHTENER SUPPORT		01
02	0531016874	SEED AXLE TIGHTENER CHAIN LINE		01
03	0503010302	501019 SEAL RING		03
04	0503010920	1/2 UNC X 1.1/2 C S G.5 ZN BOLT		01
05	0503010019	1/2" SPRING WASHER		01
06	0581011914	9Z X P 5/8" GEAR		02
07	0503010292	701164 6 X 40 SPRING PIN		01



Item	Code	Description	See page	QT
01	0503010019	1/2" SPRING WASHER		01
02	0503010060	1/2 UNC G.5 ZN HEX NUT		01
03	0531019398	AXLE TENSIONER CHAIN GEAR BOX		01
04	0581011914	9Z X P 5/8" GEAR		01
05	0511017302	FLAT WASHER 13,50 X 32,50 X 3,0 ZN		01



MARCHESAN

Technical Publications | Elaboration and Revision

ALESSANDRA PATRICIA KAWAHARA CARRILI

www.marchesan.com.br

