

PARTS CATALOGUE



ROW CROP PLANTERS

Code:

0501090886

Product:

ULTRA P PIPOQUEIRA 11/13/15 ROW



Series:

S-0208

Revision:

00

Date Revision:

OUTUBRO/2020



PRODUCTS

| Code | Description | |
|------------|----------------------|--------|
| 0111070788 | ULTRA P 11/10 PIP MH | S-0208 |
| 0111070750 | ULTRA P 11/11 PIP | S-0208 |
| 0111070945 | ULTRA P 11/8 PIP | S-0208 |
| 0111070511 | ULTRA P 13/13 PIP MH | S-0208 |
| 0111070893 | ULTRA P 15/14 PIP | S-0208 |
| 0111070519 | ULTRA P 15/15 PIP MH | S-0208 |

ATTENTION: IMPORTANT

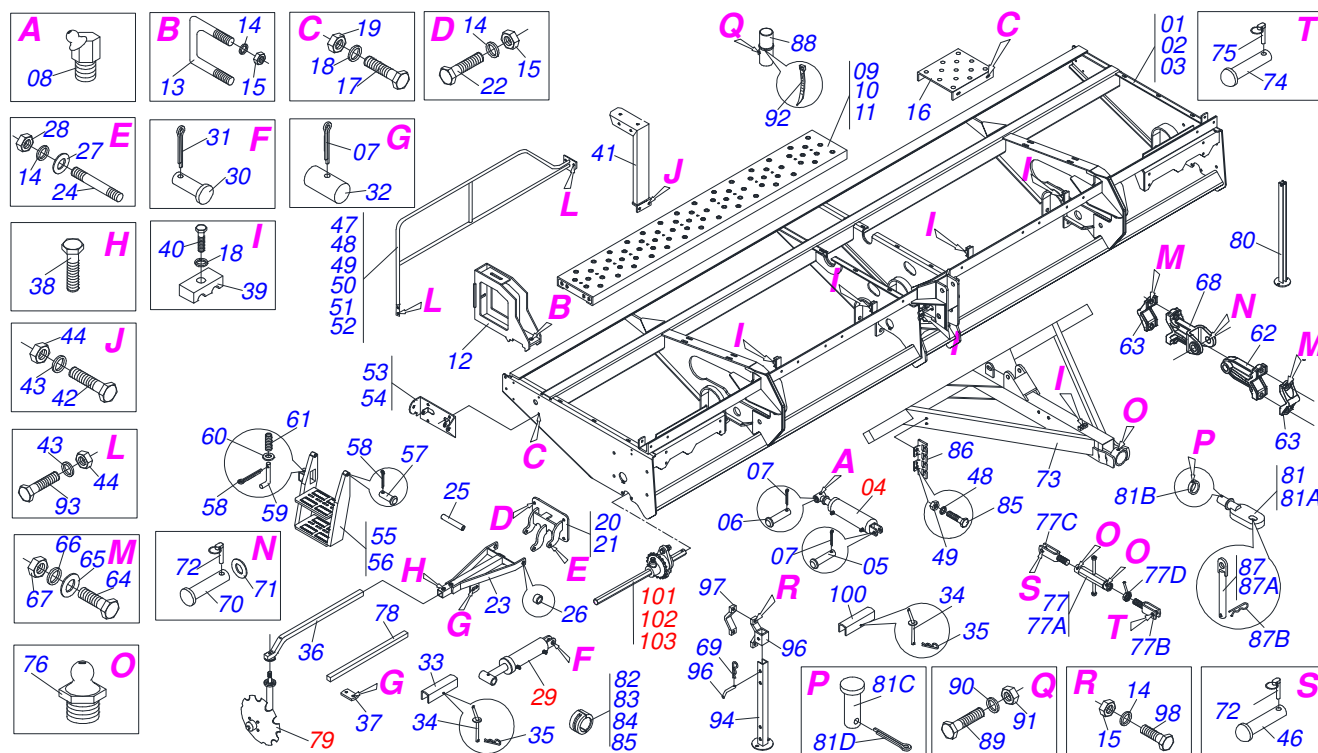
Marchesan S.A. reserves the right to improve and / or modify the technical features of its products, without obligation to do the same with those products already sold and without prior knowledge of the dealer or the consumer.



MARCHESAN

INDEX

| | | | |
|------------|-------------------------------------------|-------|----|
| 0909091558 | ULTRA P CR PIPOQ. S-0208 FRAME | | 1 |
| 0511040203 | 1.5" X 2.5" X 19" X 9" HYDRAULIC CYLINDER | | 2 |
| 0511040299 | 50,8X101,6X465X160 HYDRAULIC CYLINDER | | 3 |
| 0501050633 | MARKER DISC ASSY LINE | | 4 |
| 0511054682 | HEX AXLE ASSEMBLY - 4845 | | 4 |
| 0909092301 | HEX AXLE ASSEMBLY - 5745 | | 5 |
| 0909092348 | HEX AXLE ASSEMBLY - 6645 | | 6 |
| 0501053110 | WHEEL TRANSMISSION WITHOUT TIRE | | 7 |
| 0909091560 | TRANSMISSION CARRYING-WHEELS | | 8 |
| 0909091561 | GEAR BOX ASSY | | 9 |
| 0909091559 | TRANSMISSION | | 10 |
| 0511040424 | RH TRANSMISSION DRIVING ASSY | | 11 |
| 0909091562 | 11 13 SEED BEAN | | 12 |
| 0909091563 | 15 SEED BEAN | | 13 |
| 0909091566 | SEED ROW ASSY | | 14 |
| 0909091564 | SEED ROW | | 15 |
| 0909090004 | 15" X 15" SEED UNAL DOUB-DISC ASSY | | 16 |
| 0501057364 | SEED SYSTEM ASSY | | 17 |
| 0501052945 | DEPTH CONTROL WHEELS ASSY | | 18 |
| 0501052935 | PRESS WHEELS ASSY | | 19 |
| 0909093113 | ARM SEED LINE | | 20 |
| 0909092926 | BLADE DISC ASSY | | 21 |
| 0909091565 | HYDRAULIC CIRCUIT | | 22 |



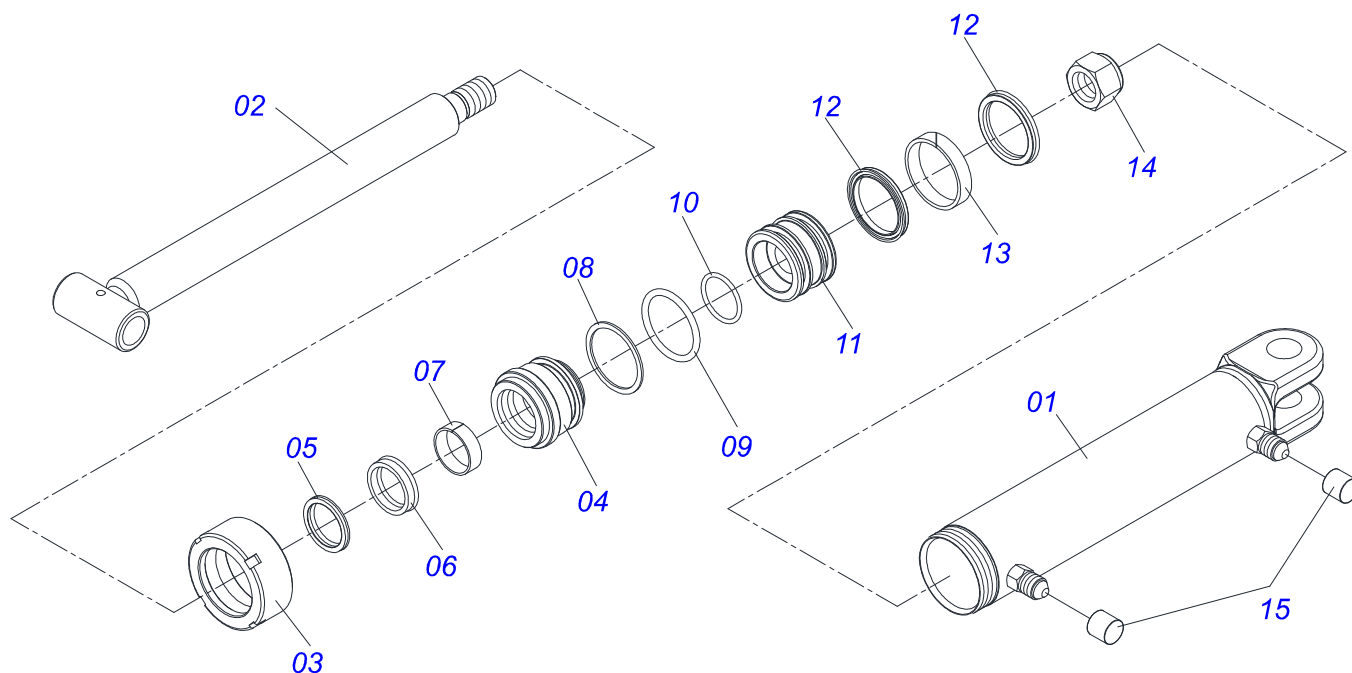
| Item | Code | Description | See page | 11 | 13 | 15 |
|------|------------|-------------------------------------------|----------|----|----|-------|
| 001 | 0511069894 | 11 FRAME | | 01 | 00 | 00 |
| 002 | 0521060065 | 13 FRAME | | | 00 | 01 00 |
| 003 | 0511069756 | 15 FRAME | | | 00 | 00 01 |
| 004 | 0511040299 | 50,8X101,6X465X160 HYDRAULIC CYLINDER | 3 | 02 | 02 | 02 |
| 005 | 0521012538 | 1.2" X 3.5" COUPLING SHAFT | | 02 | 02 | 02 |
| 006 | 0521012536 | COUPLING SHAFT | | 02 | 02 | 02 |
| 007 | 0503010523 | 1/4" X 2" COTTERPIN | | 06 | 06 | 06 |
| 008 | 0503010003 | 1845 GREASE FITTING | | 08 | 08 | 08 |
| 009 | 0511064040 | PLATFORM 2420 ULTRA FLEX 11 | | 02 | 00 | 00 |
| 010 | 0521060066 | REAR PLATFORM | | | 00 | 02 00 |
| 011 | 0511069757 | REAR PLATFORM | | | 00 | 00 02 |
| 012 | 0511069581 | PLATFORM SUPPORT | | 06 | 06 | 06 |
| 013 | 0551018851 | 5/8 UNC X 138 X 120 FASTENER | | 06 | 06 | 06 |
| 014 | 0503010027 | 5/8" SPRING WASHER | | 28 | 28 | 28 |
| 015 | 0503010013 | 5/8" NUT | | 24 | 24 | 24 |
| 016 | 0551018853 | PLATFORM CENTRAL SUPPORT | | 01 | 01 | 01 |
| 017 | 0503010237 | 3/8" X 1" BOLT | | 12 | 12 | 12 |
| 018 | 0503010025 | 3/8" SPRING WASHER | | 20 | 20 | 20 |
| 019 | 0503010026 | 3/8" NUT | | 12 | 12 | 12 |
| 020 | 0521062401 | HYDRAULIC LINE MARKER SUPPORT | | 01 | 01 | 01 |
| 021 | 0521062401 | HYDRAULIC LINE MARKER SUPPORT | | 01 | 01 | 01 |
| 022 | 0503012407 | 5/8" X 1-1/2" BOLT | | 08 | 08 | 08 |
| 023 | 0511061811 | ROW MARKER ARM | | 02 | 02 | 02 |
| 024 | 0521017686 | 5/8 UNF X 5/8 UNF X 335 PRISONER | | 02 | 02 | 02 |
| 025 | 0521017687 | SPACING SLEEVE | | 02 | 02 | 02 |
| 026 | 0521010479 | SLEEVE ARTICULATION | | 04 | 04 | 04 |
| 027 | 0501012140 | FLAT WASHER | | 04 | 04 | 04 |
| 028 | 0503012795 | 5/8" HEX SELF ADJUSTING NUT | | 04 | 04 | 04 |
| 029 | 0511040203 | 1.5" X 2.5" X 19" X 9" HYDRAULIC CYLINDER | 2 | 02 | 02 | 02 |
| 030 | 0521010574 | C0.9" X 3.3" COUPLING SHAFT | | 02 | 02 | 02 |
| 031 | 0503010571 | 1/4" X 1.1/2 COTTERPIN | | 02 | 02 | 02 |



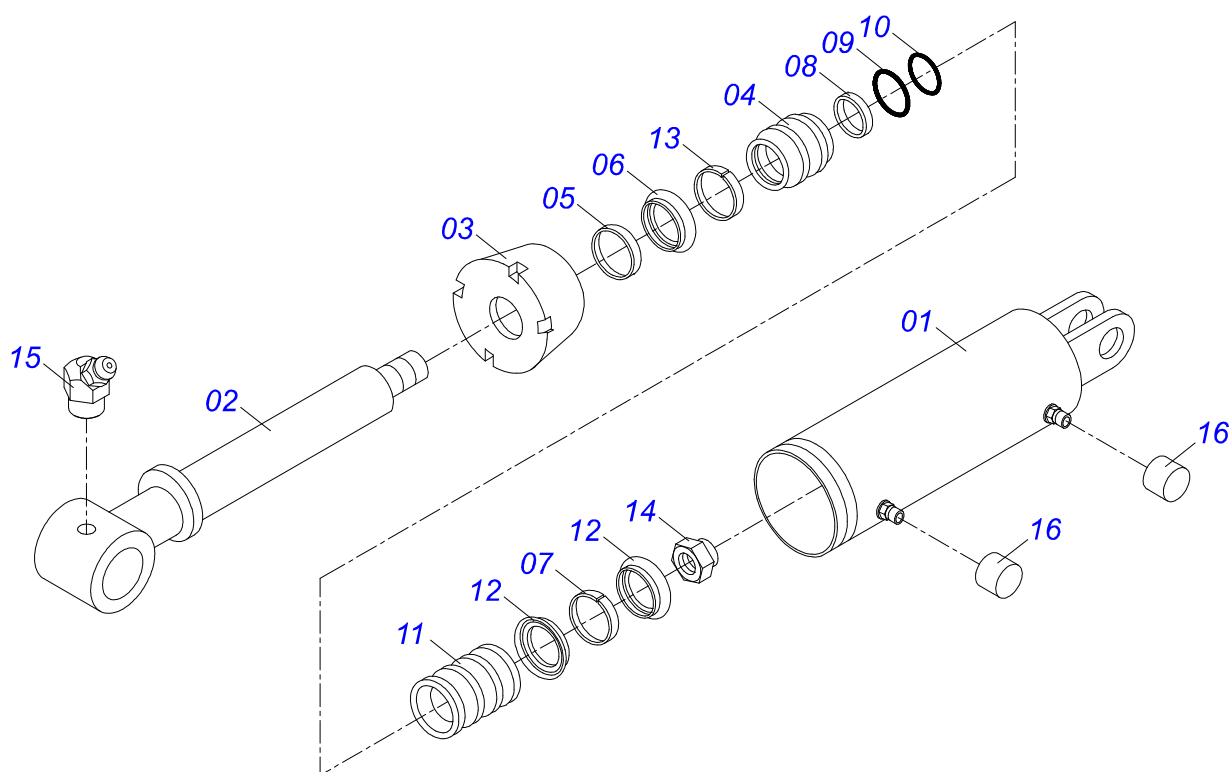
| Item | Code | Description | See page | 11 | 13 | 15 |
|------|------------|--------------------------------|----------|----|----|----|
| 032 | 0511015779 | 1" X 4.2" AXLE | | 02 | 02 | 02 |
| 033 | 0511017592 | 11.8" X 1.6" TRANSPORT LOCK | | 02 | 02 | 02 |
| 034 | 0501068994 | 0.3" X 3.1" LOCK PIN | | 04 | 04 | 04 |
| 035 | 0503030168 | HAIR PIN | | 04 | 04 | 04 |
| 036 | 0501066949 | 1235 TURNBUCKLE | | 02 | 02 | 02 |
| 037 | 0501011310 | FIXER LOCK | | 08 | 08 | 08 |
| 038 | 0503010962 | 5/8" X 1-1/4" BOLT | | 04 | 04 | 04 |
| 039 | 0502010477 | HOSE CLAMP | | 08 | 08 | 08 |
| 040 | 0503010751 | C3/8" X 1.1/4" HEX BOLT G.5 | | 08 | 08 | 08 |
| 041 | 0511068081 | SEAT SUPPORT | | 01 | 01 | 01 |
| 042 | 0503010920 | 1/2" X 1.1/2" BOLT | | 01 | 01 | 01 |
| 043 | 0503010019 | 1/2" SPRING WASHER | | 03 | 03 | 03 |
| 044 | 0503010060 | 1/2" NUT | | 03 | 03 | 03 |
| 045 | 0521013022 | TRANSPORT LOCK | | 02 | 02 | 02 |
| 046 | 0521010578 | COUPLING SHAFT | | 01 | 01 | 01 |
| 047 | 0511069909 | 2320 LEFT HANDRAIL | | 01 | 00 | 00 |
| 048 | 0511069908 | RIGHT HANDRAIL | | 01 | 00 | 00 |
| 049 | 0511068801 | LEFT HANDRAIL | | 00 | 01 | 00 |
| 050 | 0511068800 | RIGHT HANDRAIL | | 00 | 01 | 00 |
| 051 | 0511069223 | LH HANDRAIL | | 00 | 00 | 01 |
| 052 | 0511069222 | RH HANDRAIL | | 00 | 00 | 01 |
| 053 | 0531016952 | LADDER SUPPORT RIGHT | | 01 | 01 | 01 |
| 054 | 0531016953 | LADDER SUPPORT LEFT | | 01 | 01 | 01 |
| 055 | 0501069281 | RIGHT LADDER | | 01 | 01 | 01 |
| 056 | 0501069282 | LEFT LADDER | | 01 | 01 | 01 |
| 057 | 0521010542 | COUPLING SHAFT | | 04 | 04 | 04 |
| 058 | 0503010257 | 1/8" X 1" COTTERPIN | | 06 | 06 | 06 |
| 059 | 0521011249 | LADDER LOCK PIN | | 02 | 02 | 02 |
| 060 | 0501010984 | FLAT WASHER | | 02 | 02 | 02 |
| 061 | 0503030190 | 0.5" X 1.6" X 0.05" SPRING | | 02 | 02 | 02 |
| 062 | 0502012329 | DRAWBAR FIXATION REAR SUPPORT | | 04 | 04 | 04 |
| 063 | 0502012330 | SUPPORT FIXER PIVOT | | 08 | 08 | 08 |
| 064 | 0503011084 | 3/4" X 5" BOLT | | 32 | 32 | 32 |
| 065 | 0501010322 | FLAT WASHER | | 32 | 32 | 32 |
| 066 | 0503010023 | 3/4" SPRING WASHER | | 32 | 32 | 32 |
| 067 | 0503010014 | 3/4" NUT | | 32 | 32 | 32 |
| 068 | 0502012328 | DRAWBAR SUPPORT FRONT FIXATION | | 04 | 04 | 04 |
| 069 | 0503030012 | HAIR PIN | | 02 | 02 | 02 |
| 070 | 0531012336 | 1.4" X 5.35" COUPLING SHAFT | | 04 | 04 | 04 |
| 071 | 0501018466 | FLAT WASHER | | 04 | 04 | 04 |
| 072 | 0503030119 | LOCK PIN | | 04 | 04 | 04 |
| 073 | 0511062824 | DRAWBAR | | 01 | 01 | 01 |
| 074 | 0521010580 | COUPLING SHAFT | | 01 | 01 | 01 |
| 075 | 0503030085 | LOCK PIN | | 02 | 02 | 02 |
| 076 | 0503010002 | 1800 GREASE FITTING | | 03 | 03 | 03 |
| 077 | 0501054428 | ASSY HEADER EXTENSOR | | 01 | 01 | 01 |
| 077A | 0501067353 | 508 PST3 TURNBUCKLE | | 01 | 01 | 01 |
| 077B | 0511060558 | RIGHT TURNBUCKLE | | 01 | 01 | 01 |
| 077C | 0511060559 | LEFT TURNBUCKLE | | 01 | 01 | 01 |
| 077D | 0501061056 | RH LOCKNUT WITH HANDLER | | 01 | 01 | 01 |
| 078 | 0521013164 | EXTENSOR | | 02 | 02 | 02 |
| 079 | 0501050633 | MARKER DISC ASSY LINE | 4 | 02 | 02 | 02 |
| 080 | 0501065677 | STRUT | | 02 | 02 | 02 |
| 081 | 0501051160 | TRACTOR HITCH PIN | | 01 | 01 | 01 |
| 081A | 0501068181 | HITCH TURNER | | 01 | 01 | 01 |
| 081B | 0521010681 | BUSHING COUPLING BODY | | 01 | 01 | 01 |
| 081C | 0521010639 | COUPLING SHAFT | | 01 | 01 | 01 |
| 081D | 0503010571 | 1/4" X 1.1/2" COTTERPIN | | 01 | 01 | 01 |
| 082 | 0501047895 | ROD STOP | | 02 | 02 | 02 |



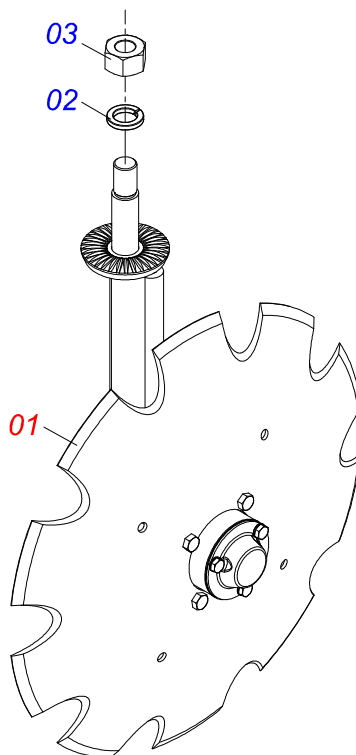
| Item | Code | Description | See page | 11 | 13 | 15 |
|------|------------|--------------------------------|----------|----|----|----|
| 083 | 0501047896 | 1.18" ROD STOP | | 02 | 02 | 02 |
| 084 | 0501047897 | 1.38" ROD STOP | | 02 | 02 | 02 |
| 085 | 0501047898 | 1.57" ROD STOP | | 02 | 02 | 02 |
| 086 | 0541011767 | HOSE FIXATION | | 01 | 01 | 01 |
| 087 | 0501047881 | AXIS JOINT ASSY | | 01 | 01 | 01 |
| 087A | 0501068989 | COUPLING SHAFT | | 01 | 01 | 01 |
| 087B | 0503031035 | HAIR PIN | | 01 | 01 | 01 |
| 088 | 0503060100 | OPERATOR'S MANUAL STORAGE TUBE | | 01 | 01 | 01 |
| 089 | 0503010358 | 5/16" X 5/8" BOLT | | 01 | 01 | 01 |
| 090 | 0503010179 | 5/16" ZN SPRING WASHER | | 01 | 01 | 01 |
| 091 | 0503010337 | 5/16" NUT | | 01 | 01 | 01 |
| 092 | 0503010267 | NYLON CLAMP | | 01 | 01 | 01 |
| 093 | 0503010395 | 1/2" X 1-1/4" BOLT | | 08 | 08 | 08 |
| 094 | 0511061835 | PLOUGH SUPPORT | | 02 | 02 | 02 |
| 095 | 0501011075 | PIN | | 02 | 02 | 02 |
| 096 | 0502011530 | SUPPORT | | 02 | 02 | 02 |
| 097 | 0502010175 | HITCH CLAMP | | 02 | 02 | 02 |
| 098 | 0501011543 | 5/8" X 4" BOLT | | 04 | 04 | 04 |
| 100 | 0511054682 | HEX AXLE ASSEMBLY - 4845 | 4 | 01 | 00 | 00 |
| 101 | 0909092301 | HEX AXLE ASSEMBLY - 5745 | 5 | 00 | 01 | 00 |
| 102 | 0909092348 | HEX AXLE ASSEMBLY - 6645 | 6 | 00 | 00 | 01 |



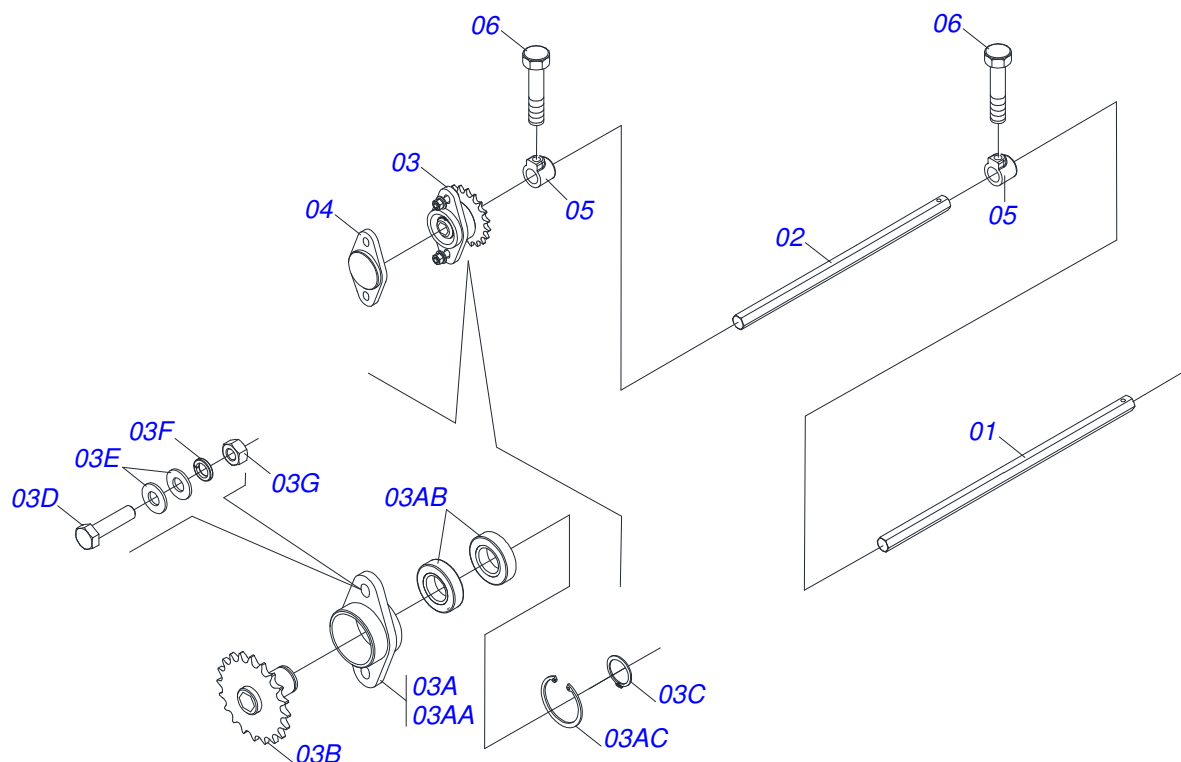
| Item | Code | Description | See page | QT |
|------|------------|-------------------------------|----------|----|
| 01 | 0511062810 | 2.5" X 15"CYLINDER CASE | | 01 |
| 02 | 0501065662 | HYDRAULIC CYLINDER TURNBUCKLE | | 01 |
| 03 | 0502010471 | MOBILE COVER | | 01 |
| 04 | 0502010780 | RING SUPPORT | | 01 |
| 05 | 0503010163 | D-1500 SCRAPER RING | | 01 |
| 06 | 0503010989 | 1870-1500-375-B GASKET | | 01 |
| 07 | 0503010970 | W1-1650-500 PK O'RING G.E | | 01 |
| 08 | 0503011058 | 8-330 BACK-UP RING | | 01 |
| 09 | 0503010161 | 2-330 N 3006 9B O'RING | | 01 |
| 10 | 0503010285 | 2-222 N 3006-9B O'RING | | 01 |
| 11 | 0502010783 | 1.5" X 2.5" PISTON | | 01 |
| 12 | 0503010160 | 2500 2000 GASKET | | 02 |
| 13 | 0503010973 | W2-2500-500 PK O'RING G.E | | 01 |
| 14 | 0503010063 | 1" SELF-ALIGNING NUT | | 01 |
| 15 | 0503030384 | CON PLUG N-001 | | 02 |
| 16 | 0501032666 | HYDRAULIC CYLINDER REPAIR KIT | | 01 |



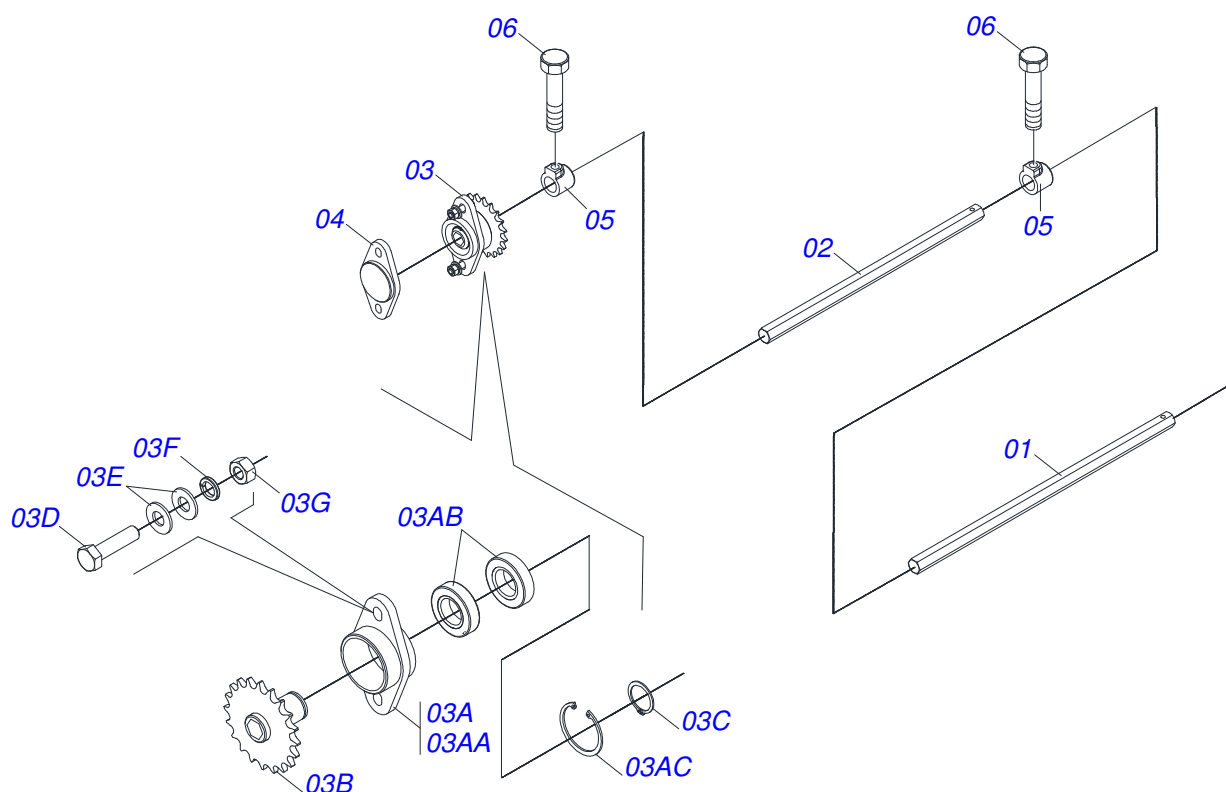
| Item | Code | Description | See page | QT |
|------|------------|------------------------------------|----------|----|
| 01 | 0511062991 | 4" X 10.1" CYLINDER CASE | | 01 |
| 02 | 0511062164 | 2" X 13.35" TURNBUCLE WITH BUSHING | | 01 |
| 03 | 0502010017 | 4" HEAD | | 01 |
| 04 | 0502010778 | 2" X 4.2" RING SUPPORT | | 01 |
| 05 | 0503010039 | D-2000 SCRAPER RING | | 01 |
| 06 | 0503010991 | 1870-2000-375-B GASKET | | 01 |
| 07 | 0503010952 | W2-2250-500 RING | | 01 |
| 08 | 0503011061 | 8-342 BACK-UP RING | | 01 |
| 09 | 0503010338 | 2-342 N 3006-9B O'RING | | 01 |
| 10 | 0503010345 | 2-218 N 3006-9B O'RING | | 01 |
| 11 | 0502010992 | 2.0" X 4.0" PISTON | | 01 |
| 12 | 0503010043 | PACKING 3750-3250 | | 02 |
| 13 | 0503010994 | W2-4000-500 PK RING G.E | | 01 |
| 14 | 0503010817 | 1.1/4" SELF LOCKING NUT | | 01 |
| 15 | 0503010003 | 1845 GREASE FITTING | | 01 |
| 16 | 0503030385 | CYLINDER PLUG N-002 | | 02 |
| 17 | 0501031799 | HYDRAULIC CYLINDER REPAIR KIT | | 01 |



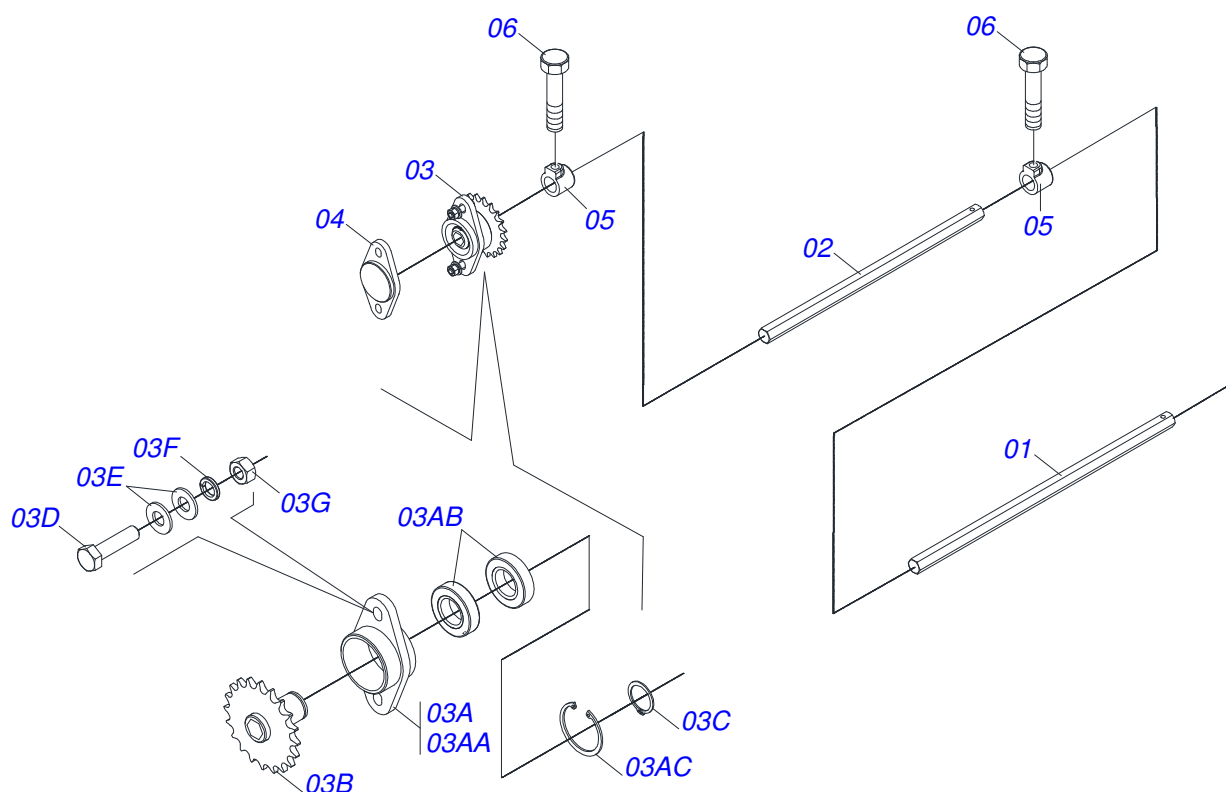
| Item | Code | Description | See page | QT |
|------|------------|--------------------|----------|----|
| 01 | 0511053904 | DISC LINE MARKER | | 01 |
| 02 | 0503010023 | 3/4" SPRING WASHER | | 01 |
| 03 | 0503010014 | 3/4" NUT | | 01 |



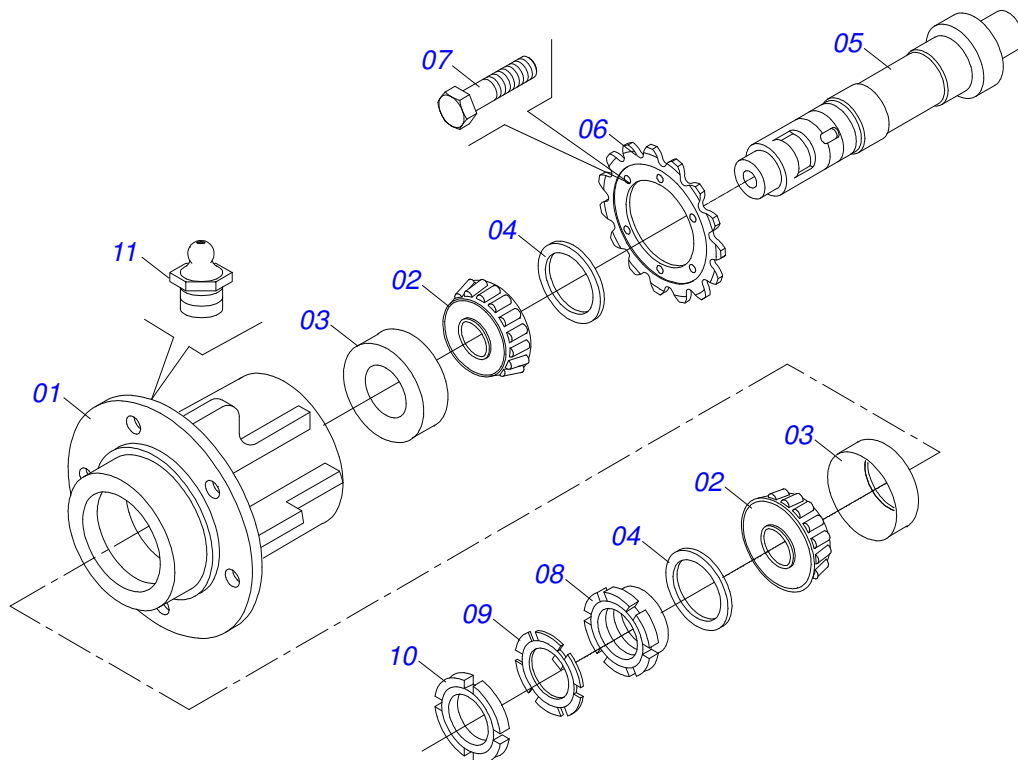
| Item | Code | Description | See page | QT |
|-------|------------|------------------------------------------|----------|----|
| 001 | 0521013430 | HEX AXLE 5/8 X 2580 | | 01 |
| 002 | 0521013434 | HEX AXLE 5/8 X 2300 | | 01 |
| 003 | 0501053608 | BEARING ASSY WITH GEAR 20Z 5/8" HEX AXLE | | 02 |
| 003A | 0501053609 | BEARING TRANSMISSION DOUBLE SEED 5/8 | | 01 |
| 003AA | 0502011987 | DOUBLE HOUSING BEARING | | 01 |
| 003AB | 0503011410 | ROLLER BEARING | | 02 |
| 003AC | 0503011105 | SEAL RING | | 01 |
| 003B | 0511063106 | 20Z AXLE BEARING DOBLE | | 01 |
| 003C | 0503010406 | 501025 CLAMPING RING (FOR AXLE) | | 02 |
| 003D | 0503010365 | NUT | | 02 |
| 003E | 0501010694 | 8.5 X 18 X 1.5 FLAT WASHER | | 04 |
| 003F | 0503010179 | 5/16" ZN SPRING WASHER | | 02 |
| 003G | 0503010337 | 5/16" NUT | | 02 |
| 004 | 0561014215 | BEARING COVER LOWER ROW FRAME | | 02 |
| 005 | 0502040534 | SPRING GUIDE BUSHING LOCK | | 04 |
| 006 | 0503010237 | 3/8" X 1" BOLT | | 04 |



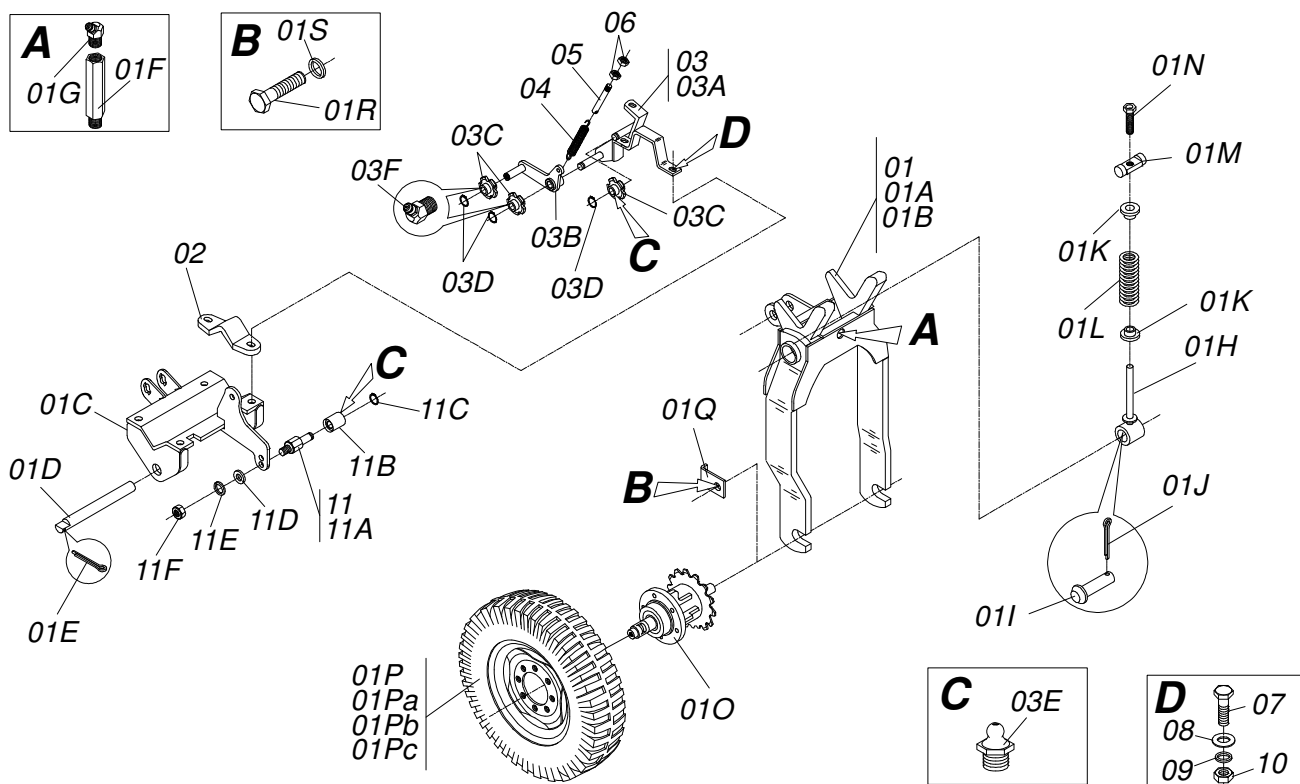
| Item | Code | Description | See page | QT |
|-------|------------|------------------------------------------|----------|----|
| 001 | 0521013431 | 5/8" X 3030" AXLE HEX | | 01 |
| 002 | 0521013435 | 5/8" X 108" AXLE HEX | | 01 |
| 003 | 0501053608 | BEARING ASSY WITH GEAR 20Z 5/8" HEX AXLE | | 02 |
| 003A | 0501053609 | BEARING TRANSMISSION DOUBLE SEED 5/8 | | 01 |
| 003AA | 0502011987 | DOUBLE HOUSING BEARING | | 01 |
| 003AB | 0503011410 | ROLLER BEARING | | 02 |
| 003AC | 0503011105 | SEAL RING | | 01 |
| 003B | 0511063106 | 20Z AXLE BEARING DOBLE | | 01 |
| 003C | 0503010406 | 501025 CLAMPING RING (FOR AXLE) | | 02 |
| 003D | 0503010365 | NUT | | 02 |
| 003E | 0501010694 | 8.5 X 18 X 1.5 FLAT WASHER | | 04 |
| 003F | 0503010179 | 5/16" ZN SPRING WASHER | | 02 |
| 003G | 0503010337 | 5/16" NUT | | 02 |
| 004 | 0561014215 | BEARING COVER LOWER ROW FRAME | | 02 |
| 005 | 0502040534 | SPRING GUIDE BUSHING LOCK | | 04 |
| 006 | 0503010237 | 3/8" X 1" BOLT | | 04 |



| Item | Code | Description | See page | QT |
|-------|------------|------------------------------------------|----------|----|
| 001 | 0531012368 | LH 5/8" X 13.6" HEX AXLE | | 01 |
| 002 | 0531012367 | 5/8" X 127.6" RIGHT HEX AXLE | | 01 |
| 003 | 0501053608 | BEARING ASSY WITH GEAR 20Z 5/8" HEX AXLE | | 02 |
| 003A | 0501053609 | BEARING TRANSMISSION DOUBLE SEED 5/8 | | 01 |
| 003AA | 0502011987 | DOUBLE HOUSING BEARING | | 01 |
| 003AB | 0503011410 | ROLLER BEARING | | 02 |
| 003AC | 0503011105 | SEAL RING | | 01 |
| 003B | 0511063106 | 20Z AXLE BEARING DOBLE | | 01 |
| 003C | 0503010406 | 501025 CLAMPING RING (FOR AXLE) | | 02 |
| 003D | 0503010365 | NUT | | 02 |
| 003E | 0501010694 | 8.5 X 18 X 1.5 FLAT WASHER | | 04 |
| 003F | 0503010179 | 5/16" ZN SPRING WASHER | | 02 |
| 003G | 0503010337 | 5/16" NUT | | 02 |
| 004 | 0561014215 | BEARING COVER LOWER ROW FRAME | | 02 |
| 005 | 0502040534 | SPRING GUIDE BUSHING LOCK | | 04 |
| 006 | 0503010237 | 3/8" X 1" BOLT | | 04 |



| Item | Code | Description | See page | QT |
|------|------------|-----------------------------|----------|----|
| 01 | 0501110721 | WHEEL HUB WITH SCREW / NUTS | | 01 |
| 02 | 0503010660 | 25590 CONE | | 02 |
| 03 | 0503010637 | 25523 CAP | | 02 |
| 04 | 0503010804 | 00547-B SEAL | | 02 |
| 05 | 0521012185 | TRANSM AXLE CARRYING-WHEEL | | 01 |
| 06 | 0502011339 | 15Z GEAR P 1.25" | | 01 |
| 07 | 0503012550 | 5/16" X 3/4" BOLT | | 06 |
| 08 | 0511015949 | LOCK NUT | | 01 |
| 09 | 0503010329 | LOCK WASHER | | 01 |
| 10 | 0503010330 | KM 9 LOCKNUT | | 01 |
| 13 | 0503010002 | 1800 GREASE FITTING | | 01 |



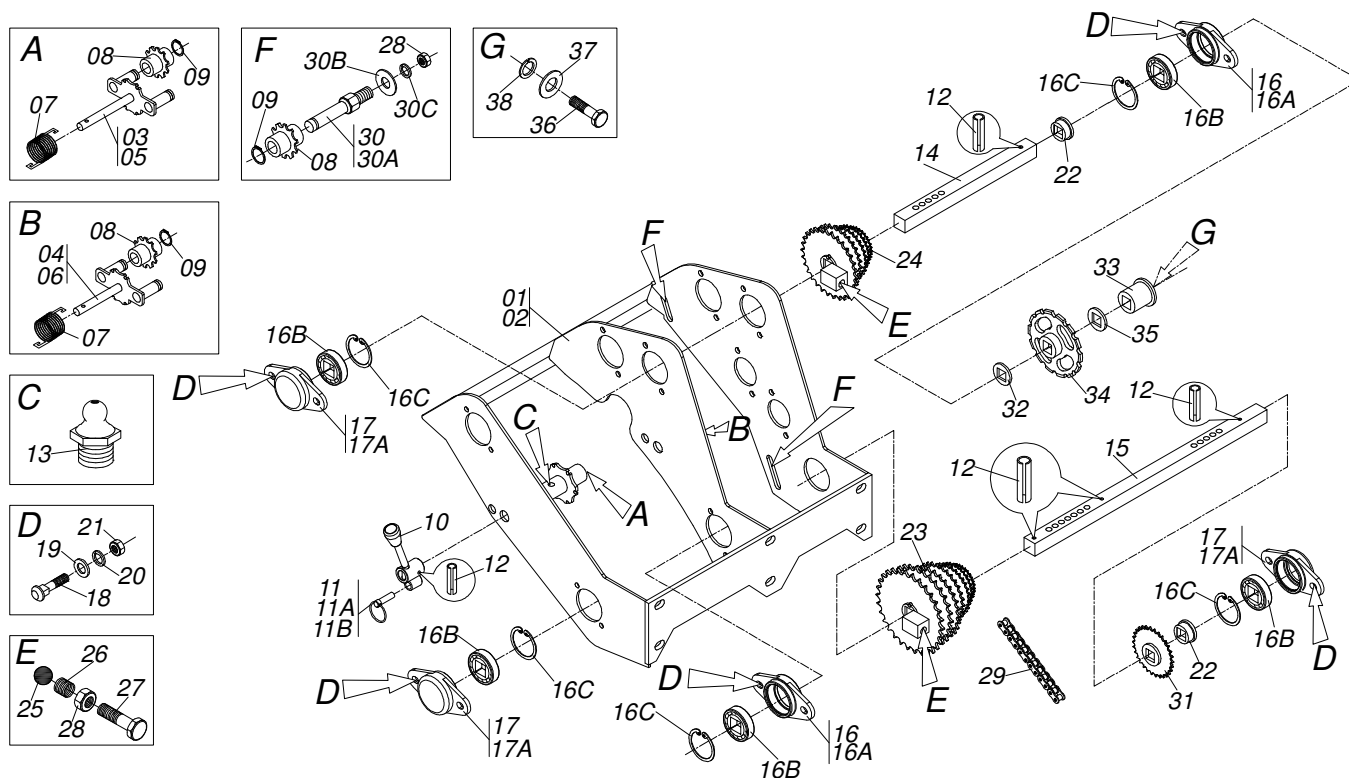
| Item | Code | Description | See page | QT |
|------|------------|-------------------------------------|----------|----|
| 01 | 0501052859 | WHEEL ARM ASSY | | 04 |
| 01A | 0501053876 | WHELL ARM W/SUPPORT | | 04 |
| 01B | 0511061936 | WHEEL ARM | | 04 |
| 01C | 0511061935 | WHEEL SUPPORT | | 04 |
| 01D | 0521012187 | WHEEL AXLE ARM | | 04 |
| 01E | 0503010523 | 1/4" X 2" COTTERPIN | | 04 |
| 01F | 0501019757 | EXTENSION GREASE FITTING | | 04 |
| 01G | 0503010003 | 1845 GREASE FITTING | | 04 |
| 01H | 0511061747 | WHEEL SPRING REGULATOR | | 04 |
| 01I | 0521010575 | C0.9" X 3.3" COUPLING SHAFT | | 04 |
| 01J | 0503010571 | 1/4" X 1.1/2 COTTERPIN | | 04 |
| 01K | 0511011423 | SPRING GUIDE BUSHING | | 08 |
| 01L | 0503030110 | 2.3"X 5.5"X 0.4" COMPRESSION SPRING | | 04 |
| 01M | 0521011158 | SPRING LOCKNUT | | 04 |
| 01N | 0521018575 | REGULATOR SPINDLE 100 | | 04 |
| 01O | 0501053110 | WHEEL TRASSMISSION WITHOUT TIRE | 7 | 04 |
| 01P | 0503060235 | 27.6"X0.63"-10L WHEEL & TIRE ASSY | | 04 |
| 01Pa | 0503012113 | PLY TIRE | | 04 |
| 01Pb | 0503010893 | WHEEL | | 04 |
| 01Pc | 0503012114 | 7.00 X 16 INNER TIRE | | 04 |
| 01Q | 0521012190 | AXLE LOCK | | 08 |
| 01R | 0503011167 | M16 X 2 X 30 BOLT | | 08 |
| 01S | 0503010027 | 5/8" SPRING WASHER | | 08 |
| 02 | 0502011308 | WHELL FASTENER | | 08 |
| 03 | 0501056098 | CHAIN TENSIONER | | 04 |
| 03A | 0511060920 | WHEEL CHAIN TENSIONER | | 04 |
| 03B | 0511061055 | WHEEL TIGHTENER | | 04 |
| 03C | 0503031804 | 5Z GEAR P31,75 | | 12 |
| 03D | 0503010302 | 501019 SEAL RING | | 12 |
| 03E | 0503010002 | 1800 GREASE FITTING | | 08 |
| 03F | 0503010004 | 1890 GREASE FITTING | | 08 |



ULTRA P PIPOQUEIRA 11/13/15 ROW
TRANSMISSION CARRYING-WHEELS

Page 8
0909091560

| Item | Code | Description | See page | QT |
|------|------------|------------------------------------|----------|----|
| 04 | 0503031103 | 0.9" X 4.1" X 0.1" TRACTION SPRING | | 04 |
| 05 | 0501013491 | 5/8" TENSIONER SPRING | | 04 |
| 06 | 0503010013 | 5/8" NUT | | 08 |
| 07 | 0503013185 | 3/4" X 5-1/2" BOLT | | 16 |
| 08 | 0501010322 | FLAT WASHER | | 08 |
| 09 | 0503010023 | 3/4" SPRING WASHER | | 16 |
| 10 | 0503010014 | 3/4" NUT | | 16 |
| 11 | 0501048672 | CHAIN TENSIONER ASSY | | 04 |
| 11A | 0521012529 | CHAIN TIGHTENER AXLE | | 04 |
| 11B | 0503030402 | PULLEY | | 04 |
| 11C | 0503010302 | 501019 SEAL RING | | 04 |
| 11D | 0511017302 | FLAT WASHER | | 08 |
| 11E | 0503010019 | 1/2" SPRING WASHER | | 04 |
| 11F | 0503010060 | 1/2" NUT | | 04 |



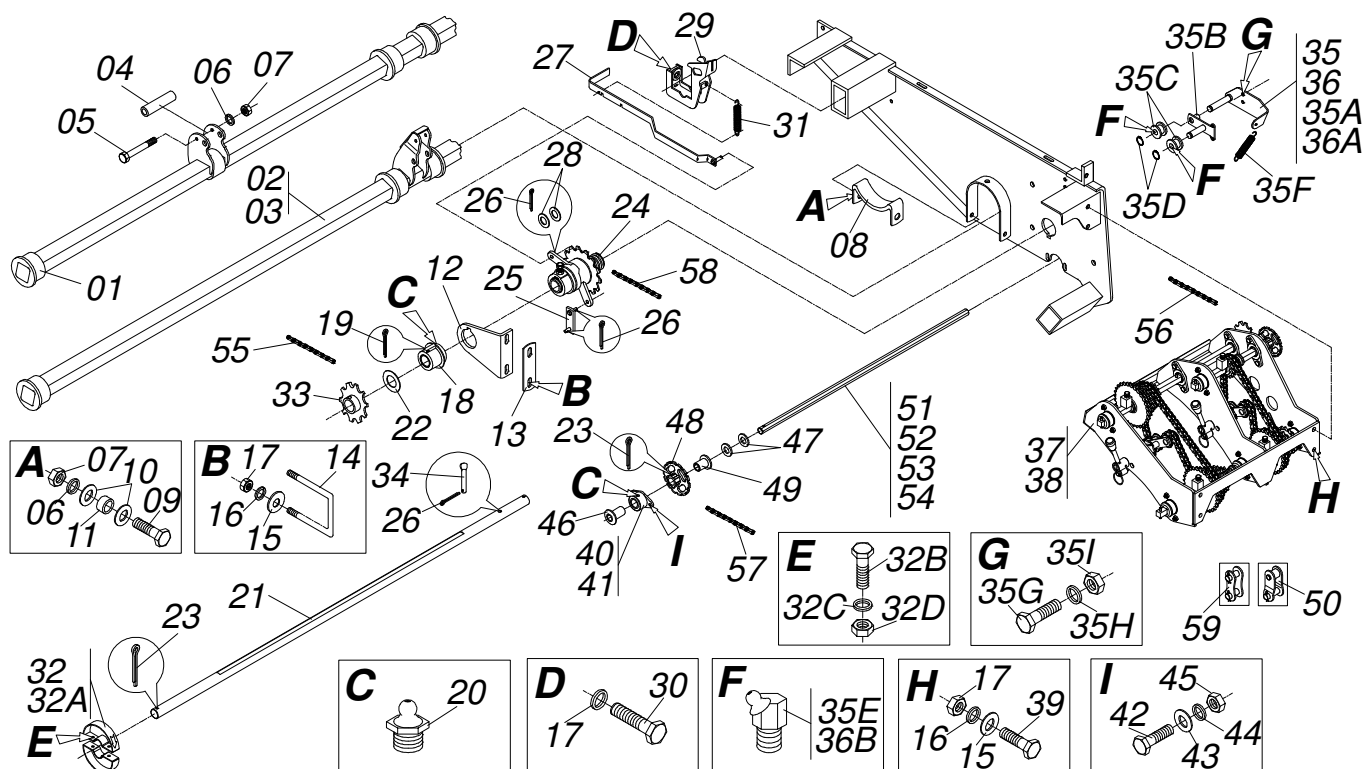
| Item | Code | Description | See page | DIR ESQ |
|------|------------|-------------------------------------|----------|---------|
| 00 | 0511045156 | RIGHT GEAR BOX ASSY | 01 | 00 |
| 00A | 0511045157 | LEFT GEAR BOX ASSY | 00 | 01 |
| 01 | 0511060390 | GEAR BOX RIGHT SUPPORT | 01 | 00 |
| 02 | 0511060391 | GEAR BOX LH SUPPORT | 00 | 01 |
| 03 | 0511060392 | CHAIN TENSIONER | 01 | 00 |
| 04 | 0501052237 | CHAIN TENSIONER ASSY | 00 | 01 |
| 05 | 0511060393 | CHAIN TENSIONER ASSY | 01 | 00 |
| 06 | 0501052239 | CHAIN TENSIONER ASSY | 00 | 01 |
| 07 | 0503031336 | 0.7" X 3.8" X 0.07" TRACTION SPRING | 02 | 02 |
| 08 | 0503031805 | 11Z 1/2" GEAR | 06 | 06 |
| 09 | 0503010302 | 501019 SEAL RING | 06 | 06 |
| 10 | 0502011758 | REAR TENSIONER LEVER | 02 | 02 |
| 11 | 0501048790 | AXLE WITH LINK ASSY | 02 | 02 |
| 11A | 0521012476 | GEAR BOX LEVER AXLE | 02 | 02 |
| 11B | 0503031369 | LINK | 02 | 02 |
| 12 | 0503010292 | 0.2" X 1.6" SPRING PIN | 06 | 06 |
| 13 | 0503010002 | 1800 GREASE FITTING | 02 | 02 |
| 14 | 0521017617 | SEED DRIVEN AXLE | 01 | 01 |
| 15 | 0521014144 | FERTILIZER/SEEP CONE MOV. AXLE | 01 | 01 |
| 16 | 0501056444 | BEARING WITH BALL BEARING | 02 | 02 |
| 16A | 0502011697 | BEARING OF THE GEAR BOX | 02 | 02 |
| 16B | 0503013462 | BEARING WITH BALL BEARING | 05 | 05 |
| 16C | 0503011105 | SEAL RING | 05 | 05 |
| 17 | 0501056271 | BEARING CLOSED | 03 | 03 |
| 17A | 0502012310 | GEAR BOX CLOSE BEARING | 03 | 03 |
| 18 | 0503011953 | 5/16" X 1" BOLT | 12 | 12 |
| 19 | 0501010694 | 8.5 X 18 X 1.5 FLAT WASHER | 12 | 12 |
| 20 | 0503011444 | SPRING WASHER | 12 | 12 |
| 21 | 0503010337 | 5/16" NUT | 12 | 12 |
| 22 | 0503030303 | SUPPORT WASHER | 02 | 02 |
| 23 | 0511061668 | SEED SYSTEM DRIVE AXLE CONE | 01 | 01 |



GEAR BOX ASSY

0909091561

| Item | Code | Description | See page | DIR ESQ |
|------|------------|--------------------------------|----------|---------|
| 24 | 0511061667 | SEED SYSTEM DRIVEN AXLE CONE | | 01 01 |
| 25 | 0503012389 | 1/2 BALL | | 02 02 |
| 26 | 0503031512 | 0.4" X 0.1" X 2" X 0.6" SPRING | | 02 02 |
| 27 | 0503010395 | 1/2" X 1-1/4" BOLT | | 02 02 |
| 28 | 0503010060 | 1/2" NUT | | 04 04 |
| 29 | 0503012391 | 40-1 CHAIN X 83 LINK + MENDING | | 01 01 |
| 30 | 0501054655 | CHAIN TENSIONER ASSY | | 02 02 |
| 30A | 0531019398 | AXLE TENSIONER CHAIN GEAR BOX | | 02 02 |
| 30B | 0511017302 | FLAT WASHER | | 02 02 |
| 30C | 0503010019 | 1/2" SPRING WASHER | | 02 02 |
| 31 | 0501069874 | GEAR 17Z P 15,87 FQ 3/4 | | 01 01 |
| 32 | 0521018630 | 1.4" X SQUARE 0.8" WASHER | | 04 04 |
| 33 | 0503030275 | AGRICULTURAL BEARING | | 01 01 |
| 34 | 0502011325 | 12Z P 1.2" GEAR | | 01 01 |
| 35 | 0511017137 | FLAT WASHER | | 01 01 |
| 36 | 0503010256 | 3/8" X 3/4" BOLT | | 01 01 |
| 37 | 0501010984 | FLAT WASHER | | 01 01 |
| 38 | 0503010025 | 3/8" SPRING WASHER | | 01 01 |



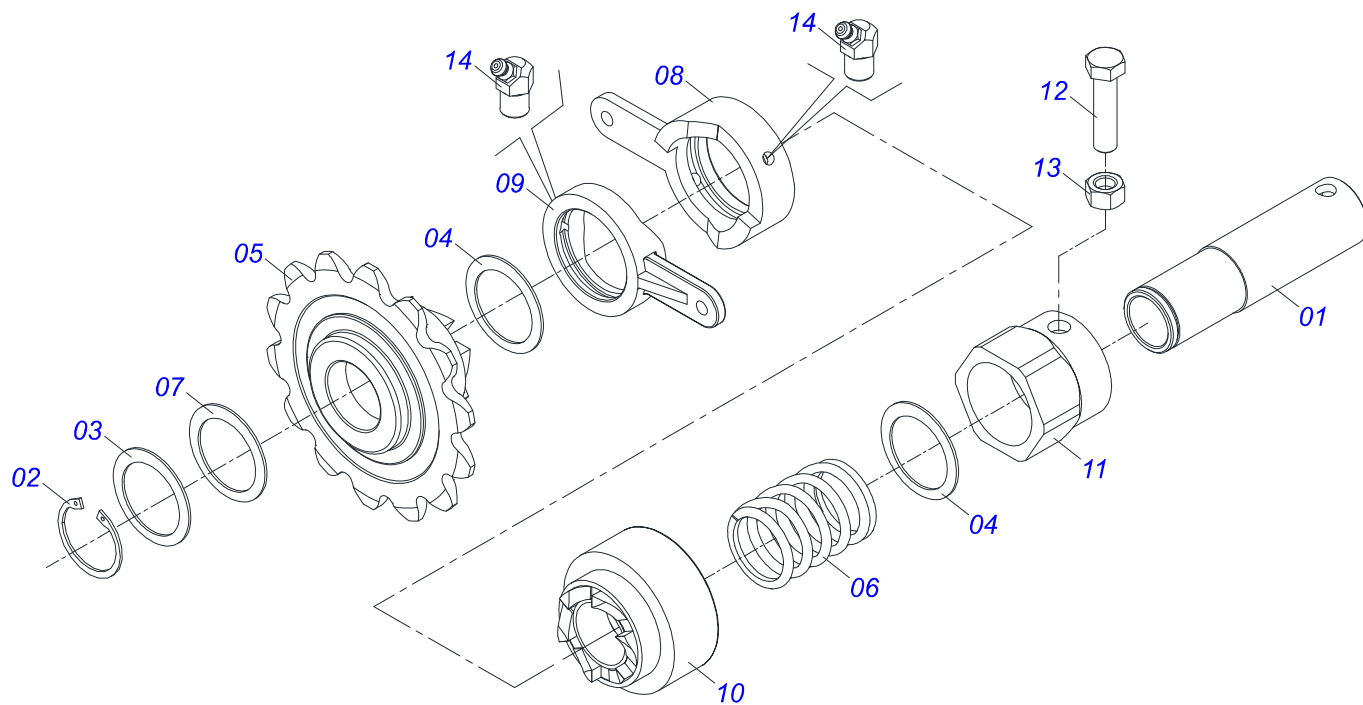
| Item | Code | Description | See page | 11 | 13 | 15 |
|------|------------|-------------------------------------|----------|----|----|----|
| 01 | 0511063402 | CARRYING-WHEELS PIVOT SHAFT | | 01 | 00 | 00 |
| 02 | 0511063780 | CARRYING-WHEELS PIVOT SHAFT | | 00 | 01 | 00 |
| 03 | 0511063781 | CARRYING-WHEELS PIVOT SHAFT | | 00 | 00 | 01 |
| 04 | 0531012565 | SLEEVE 16,3X 30 X 88 | | 02 | 02 | 02 |
| 05 | 0503010967 | SCREW 5/8 UNC X 5.1/2 CS G.5 ZN | | 02 | 02 | 02 |
| 06 | 0503010027 | 5/8" SPRING WASHER | | 14 | 14 | 14 |
| 07 | 0503010013 | 5/8" NUT | | 14 | 14 | 14 |
| 08 | 0521013199 | LOWER BEARING SEMI | | 06 | 06 | 06 |
| 09 | 0501010100 | SCREW 5/8 UNC X 2 CS G.5 ZN | | 12 | 12 | 12 |
| 10 | 0501012140 | FLAT WASHER | | 24 | 24 | 24 |
| 11 | 0531013922 | 0.6" X 0.8" X 1" SLEEVE | | 12 | 12 | 12 |
| 12 | 0521013846 | MOTOR SHAFT BEARING SUPPORT | | 04 | 04 | 04 |
| 13 | 0521014436 | MOTOR CHOCK SUPPORT BEARING AXLE | | 04 | 04 | 04 |
| 14 | 0521014021 | 1/2" X 4.5" X 5.4" FASTENER | | 04 | 04 | 04 |
| 15 | 0511017302 | FLAT WASHER | | 16 | 16 | 16 |
| 16 | 0503010019 | 1/2" SPRING WASHER | | 16 | 16 | 16 |
| 17 | 0503010060 | 1/2" NUT | | 20 | 20 | 20 |
| 18 | 0501110025 | AGRICULTURAL BEARING | | 08 | 08 | 08 |
| 19 | 0503010257 | 1/8" X 1" COTTERPIN | | 08 | 08 | 08 |
| 20 | 0503010002 | 1800 GREASE FITTING | | 10 | 10 | 10 |
| 21 | 0531012406 | 128.14" MOTOR AXLE | | 02 | 02 | 02 |
| 22 | 0501018466 | FLAT WASHER | | 10 | 10 | 10 |
| 23 | 0503010010 | 1/4" X 2.1/2" COTTERPIN | | 06 | 06 | 06 |
| 24 | 0511040424 | RH TRANSMISSION DRIVING ASSY | 11 | 04 | 04 | 04 |
| 25 | 0511064125 | PIVOT ARM | | 04 | 04 | 04 |
| 26 | 0503010140 | 1/8" X 3/4" COTTERPIN | | 14 | 14 | 14 |
| 27 | 0511068087 | ASSEMBLE AND DISASSEMBLE RATCHET | | 08 | 08 | 08 |
| 28 | 0501010984 | FLAT WASHER | | 08 | 08 | 08 |
| 29 | 0511060563 | RATCHET ARM/DISARMENT SUPPORT | | 04 | 04 | 04 |
| 30 | 0503011082 | C1/2" X 1.3/4" SCREW | | 04 | 04 | 04 |
| 31 | 0503030198 | 0.6" X 2.4" X 0.1" EXTENSION SPRING | | 04 | 04 | 04 |



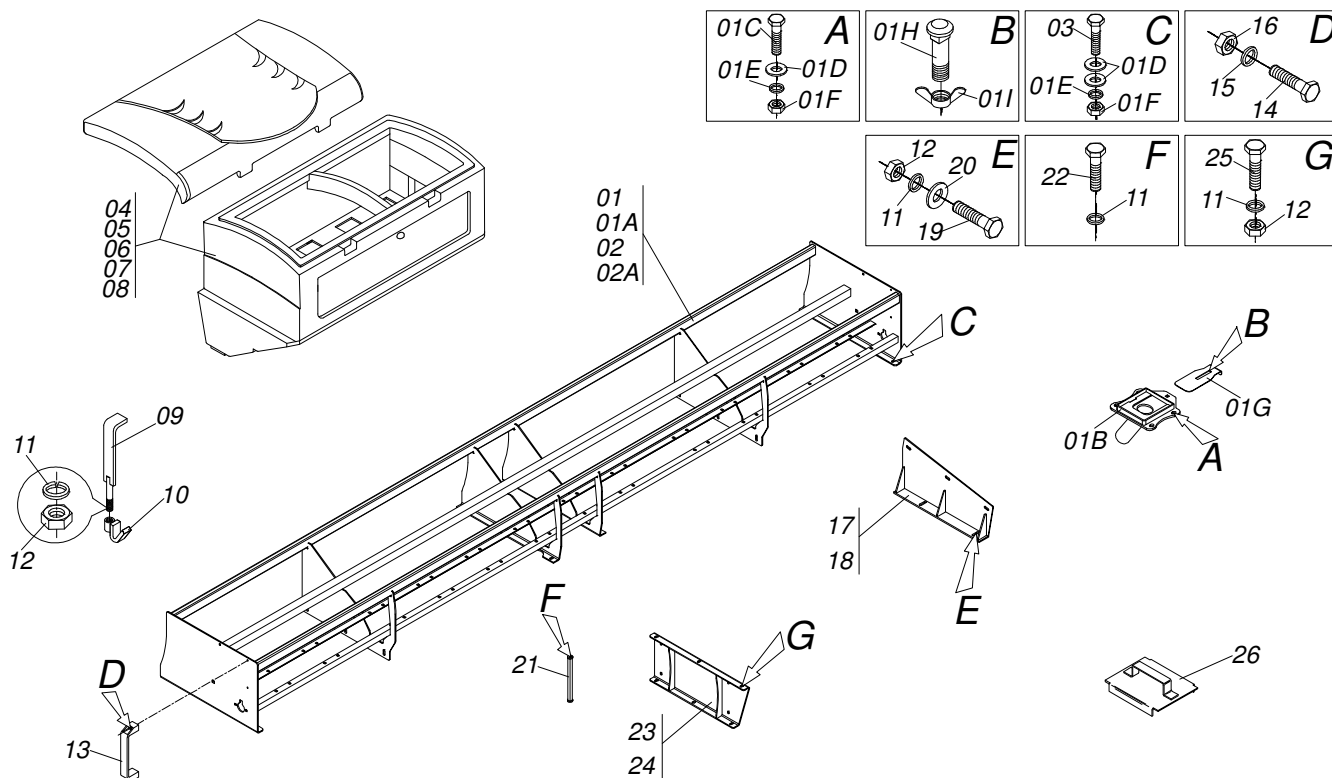
TRANSMISSION

0909091559

| Item | Code | Description | See page | 11 | 13 | 15 |
|------|------------|-------------------------------------|----------|----|----|----|
| 32 | 0501052560 | AXLE MOTOR SLOW-MOVING ASSY | | 02 | 02 | 02 |
| 32A | 0503031825 | AXLE MOTOR SLOW-MOVING | | 04 | 04 | 04 |
| 32B | 0503010240 | 5/16" X 3/4" BOLT | | 04 | 04 | 04 |
| 32C | 0503010179 | 5/16" ZN SPRING WASHER | | 04 | 04 | 04 |
| 32D | 0503010337 | 5/16" NUT | | 04 | 04 | 04 |
| 33 | 0501069585 | 17Z P5/8" GEAR ROUND HOLE 1.4" | | 02 | 02 | 02 |
| 34 | 0521010530 | COUPLING SHAFT | | 02 | 02 | 02 |
| 35 | 0501048749 | CHAIN TENSIONER AXLE ASSY | | 01 | 01 | 01 |
| 35A | 0511060455 | SEED CHAIN TENSIONER ASSY | | 01 | 01 | 01 |
| 35B | 0511060454 | CHAIN TENSIONER | | 02 | 02 | 02 |
| 35C | 0503030402 | PULLEY | | 04 | 04 | 04 |
| 35D | 0503010302 | 501019 SEAL RING | | 04 | 04 | 04 |
| 35E | 0503010004 | 1890 GREASE FITTING | | 02 | 02 | 02 |
| 35F | 0503030242 | 0.8" X 4.7" X 0.08" TRACTION SPRING | | 02 | 02 | 02 |
| 35G | 0503010237 | 3/8" X 1" BOLT | | 04 | 04 | 04 |
| 35H | 0503010025 | 3/8" SPRING WASHER | | 04 | 04 | 04 |
| 35I | 0503010026 | 3/8" NUT | | 04 | 04 | 04 |
| 36 | 0501048750 | TRANSMISSION CHAIN TENSIONER ASSY | | 01 | 01 | 01 |
| 36A | 0511060456 | LH SEED CHAIN TENSIONER | | 01 | 01 | 01 |
| 36B | 0503010003 | 1845 GREASE FITTING | | 02 | 02 | 02 |
| 37 | 0511045156 | RIGHT GEAR BOX ASSY | | 01 | 01 | 01 |
| 38 | 0511045157 | LEFT GEAR BOX ASSY | | 01 | 01 | 01 |
| 39 | 0503010920 | 1/2" X 1.1/2" BOLT | | 08 | 08 | 08 |
| 40 | 0501110036 | HEX AXLE RIGHT BEARING ASSY | | 01 | 01 | 01 |
| 41 | 0501110037 | AGRICULTURAL BEARING HEX SHAFT 5/8" | | 01 | 01 | 01 |
| 42 | 0503010363 | 5/16" X 1" BOLT | | 04 | 04 | 04 |
| 43 | 0501010694 | 8.5 X 18 X 1.5 FLAT WASHER | | 04 | 04 | 04 |
| 44 | 0503010179 | 5/16" ZN SPRING WASHER | | 04 | 04 | 04 |
| 45 | 0503010337 | 5/16" NUT | | 04 | 04 | 04 |
| 46 | 0502040723 | 5/8 HEX AXLE BEARING SLEEVE 5/8 | | 02 | 02 | 02 |
| 47 | 0521011859 | FLAT WASHER | | 04 | 04 | 04 |
| 48 | 0502010411 | 10Z GEAR | | 02 | 02 | 02 |
| 49 | 0502011299 | BUSHING GEAR | | 02 | 02 | 02 |
| 50 | 0503010951 | REDUCTION | | 04 | 04 | 04 |
| 51 | 0521013434 | HEX AXLE 5/8 X 2300 | | 01 | 00 | 00 |
| 52 | 0521013430 | HEX AXLE 5/8 X 2580 | | 01 | 00 | 00 |
| 53 | 0531012367 | 5/8" X 127.6" RIGHT HEX AXLE | | 00 | 01 | 01 |
| 54 | 0531012368 | LH 5/8" X 13.6" HEX AXLE | | 00 | 01 | 01 |
| 55 | 0503012408 | 50-1 CHAIN X 41 LINK + MENDING | | 02 | 02 | 02 |
| 56 | 0503012862 | 40-1 CHAIN X 76 LINK + REDUCTION | | 02 | 02 | 02 |
| 57 | 0503013017 | CHAIN 2050 X 43 LINK + MENDING | | 02 | 02 | 02 |
| 58 | 0503012570 | CHAIN 2050 X 2.8" LINK + MENDING | | 04 | 04 | 04 |
| 59 | 0503010780 | N-2050 AMENDMENT | | 02 | 02 | 02 |



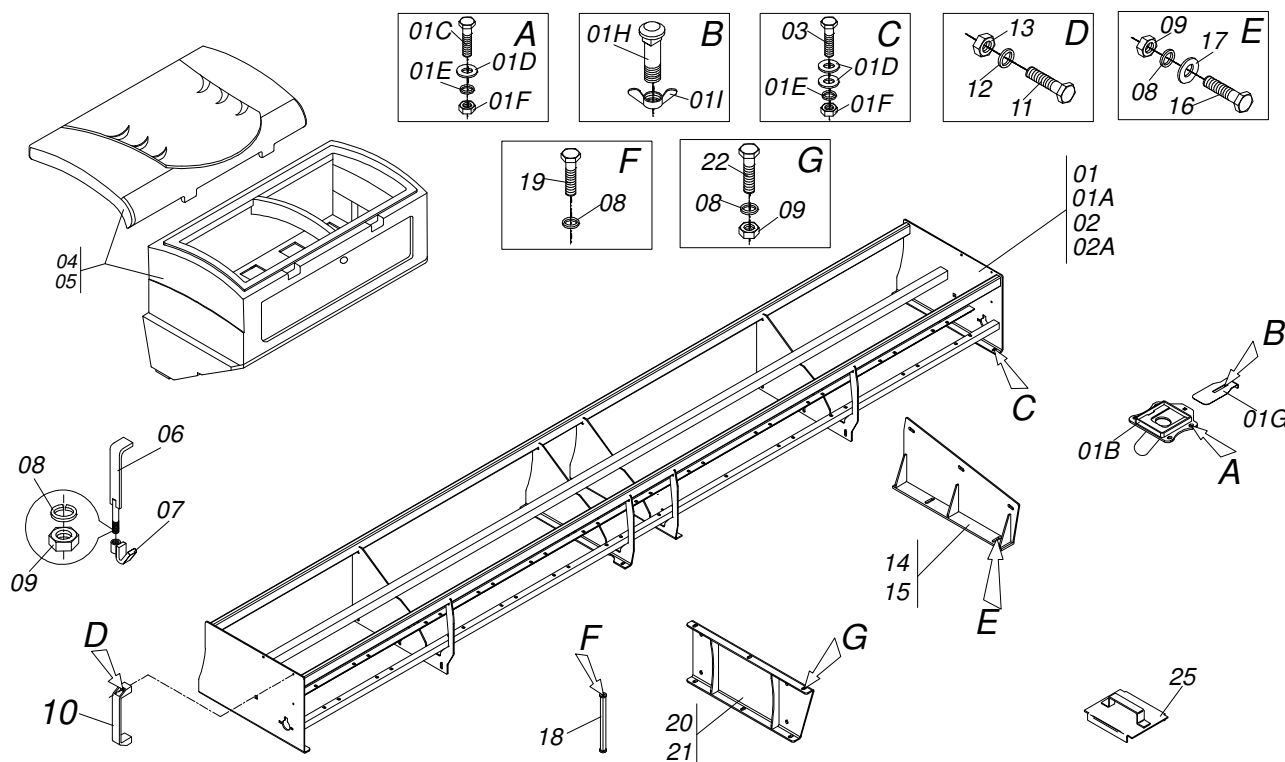
| Item | Code | Description | See page | QT |
|------|------------|------------------------------------|----------|----|
| 01 | 0521017590 | GUIDE AXLE | | 01 |
| 02 | 0503010542 | 501045 CLAMPING RING (FOR AXLE) | | 01 |
| 03 | 0521017593 | FLAT WASHER | | 01 |
| 04 | 0501019734 | FLAT WASHER | | 02 |
| 05 | 0502011329 | 14Z GEAR WITH RIGHT DRAGGER | | 01 |
| 06 | 0503030553 | 2.3"X 2.5"X 0.2"COMPRESSION SPRING | | 01 |
| 07 | 0501019735 | FLAT WASHER | | 02 |
| 08 | 0502010710 | RIGHT CAM, SMALLER | | 01 |
| 09 | 0502010711 | RIGHT CAM,LARGER | | 01 |
| 10 | 0502012009 | DRIVING AXLE RIGHT FOLLOWER | | 01 |
| 11 | 0502011996 | SLLEVE FIXER | | 01 |
| 12 | 0503030678 | BOLT 1/2 UNC X 1.1/2 C5PC G.5 ZN | | 01 |
| 13 | 0503010060 | 1/2" NUT | | 01 |
| 14 | 0503010003 | 1845 GREASE FITTING | | 02 |



| Item | Code | Description | See page | 11 13 |
|------|------------|-----------------------------------------|----------|-----------|
| 01 | 0501058574 | FERTILIZER BEAM SUPPORT | | 01 00 |
| 01A | 0511069893 | FERTILIZER BEAM SUPPORT | | 01 00 |
| 01B | 0511068075 | SEED SUPPORT TUBE | | 11 13 |
| 01C | 0503010751 | C3/8" X 1.1/4" HEX BOLT G.5 | | 44 52 |
| 01D | 0501010984 | FLAT WASHER | | 60 68 |
| 01E | 0503010025 | 3/8" SPRING WASHER | | 52 60 |
| 01F | 0503010026 | 3/8" NUT | | 52 60 |
| 01G | 0551017635 | UPPER TUBE COVER | | 11 13 |
| 01H | 0503013029 | 3/8" X 3/4" BOLT | | 11 13 |
| 01I | 0503010209 | 3/8" UNC BUTTERFLY NUT | | 11 13 |
| 02 | 0501058548 | FERTILIZER BEAM SUPPORT | | 00 01 |
| 02A | 0521060067 | FERTILIZER BEAM SUPPORT | | 00 01 |
| 03 | 0503010849 | 3/8" X 1-1/2" BOLT | | 08 08 |
| 04 | 0503060637 | COVER BOX LEFT FERTILIZER | | 01 00 |
| 05 | 0503060662 | COVER FERTILIZER BOX | | 02 00 |
| 06 | 0503060636 | COVER BOX RIGHT FERTILIZER | | 00 01 |
| 07 | 0503060641 | COVER BOX LEFT FERTILIZER | | 00 01 |
| 08 | 0503060639 | COVER BOX LEFT FERTILIZER | | 00 01 |
| 09 | 0511062099 | FERTILIZER BEAM CLAMP | | 06 06 |
| 10 | 0511061886 | FERTILIZER BEAM LOCK | | 06 06 |
| 11 | 0503010019 | 1/2" SPRING WASHER | | 2044 2044 |
| 12 | 0503010060 | 1/2" NUT | | 1640 1640 |
| 13 | 0503011957 | PMC 596-S NYLON LUG | | 02 02 |
| 14 | 0503010371 | 5/16" X 1" BOLT | | 04 04 |
| 15 | 0503010179 | 5/16" ZN SPRING WASHER | | 04 04 |
| 16 | 0503010337 | 5/16" NUT | | 04 04 |
| 17 | 0511069576 | RIGHT BRACKET SUPPORT FERTILIZER HOPPER | | 01 00 |
| 18 | 0511069575 | LEFT BRACKET SUPPORT FERTILIZER HOPPER | | 00 01 |
| 19 | 0503010395 | 1/2" X 1-1/4" BOLT | | 10 10 |
| 20 | 0511017302 | FLAT WASHER | | 10 10 |
| 21 | 0511069582 | EXTENDING FIXER SUPPORT | | 02 02 |



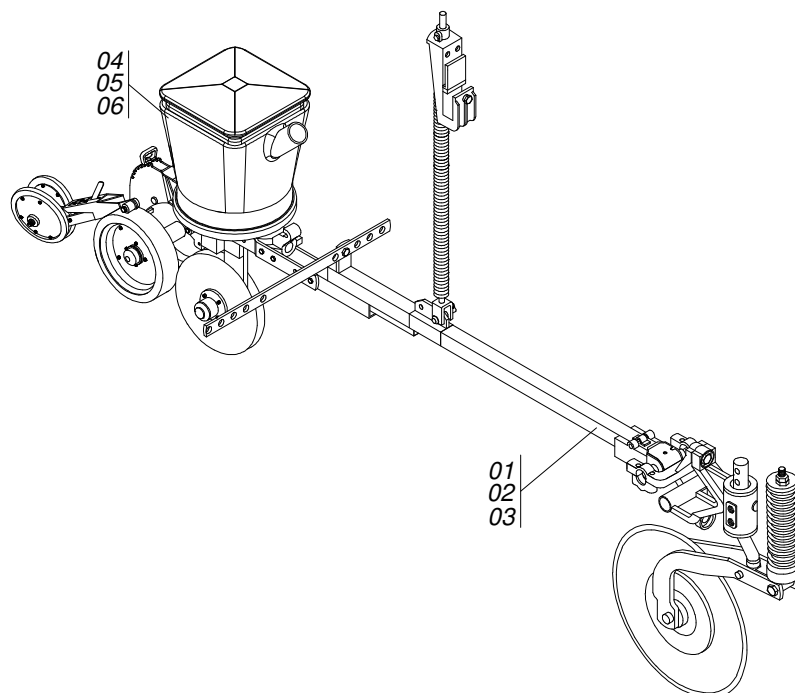
| Item | Code | Description | See page | 11 13 |
|------|------------|------------------------|----------|-------|
| 22 | 0503010834 | 1/2 X 1 BOLT | | 04 04 |
| 23 | 0511069579 | RIGHT TURNBUCKLE | | 01 01 |
| 24 | 0511069580 | LH SUPPORT TURNBUCKLE | | 01 01 |
| 25 | 0503010395 | 1/2" X 1-1/4" BOLT | | 24 24 |
| 26 | 0503032624 | SILO FERTILIZER GUTTER | | 08 08 |



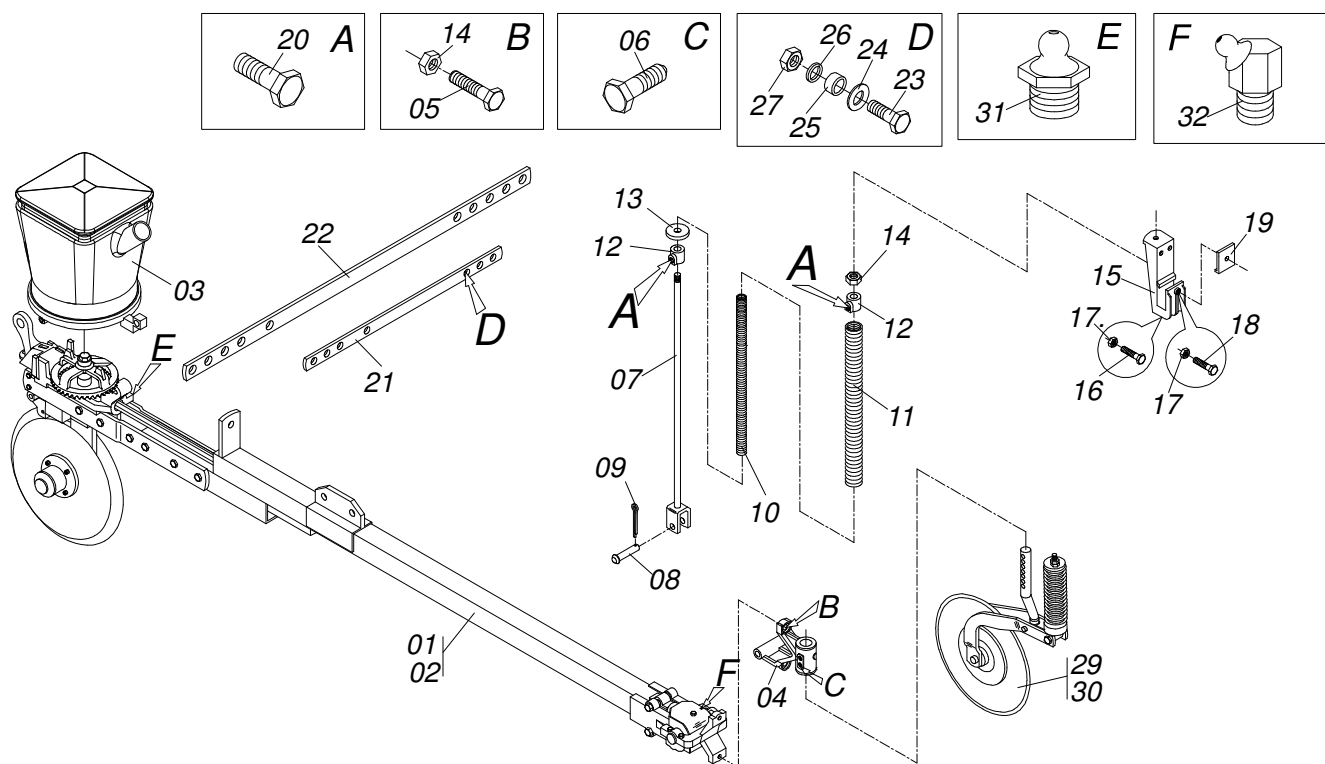
| Item | Code | Description | See page | 15D 15E |
|------|------------|-----------------------------------------|----------|---------|
| 01 | 0501058308 | FERTILIZER BEAM SUPPORT | | 01 00 |
| 01A | 0511069755 | RH FERTILIZER BEAM SUPPORT | | 01 00 |
| 01B | 0511068075 | SEED SUPPORT TUBE | | 07 08 |
| 01C | 0503010751 | C3/8" X 1.1/4" HEX BOLT G.5 | | 28 32 |
| 01D | 0501010984 | FLAT WASHER | | 36 40 |
| 01E | 0503010025 | 3/8" SPRING WASHER | | 32 36 |
| 01F | 0503010026 | 3/8" NUT | | 32 36 |
| 01G | 0551017635 | UPPER TUBE COVER | | 07 08 |
| 01H | 0503013029 | 3/8" X 3/4" BOLT | | 07 08 |
| 01I | 0503010209 | 3/8" UNC BUTTERFLY NUT | | 07 08 |
| 02 | 0501058309 | LFT FERTILIZER BEAM SUPPORT | | 00 01 |
| 02A | 0511069754 | LH FERTILIZER BEAM SUPPORT | | 00 01 |
| 03 | 0503010849 | 3/8" X 1-1/2" BOLT | | 04 04 |
| 04 | 0503060636 | COVER BOX RIGHT FERTILIZER | | 02 00 |
| 05 | 0503060637 | COVER BOX LEFT FERTILIZER | | 00 02 |
| 06 | 0511062099 | FERTILIZER BEAM CLAMP | | 04 04 |
| 07 | 0511061886 | FERTILIZER BEAM LOCK | | 04 04 |
| 08 | 0503010019 | 1/2" SPRING WASHER | | 21 21 |
| 09 | 0503010060 | 1/2" NUT | | 25 25 |
| 10 | 0503011957 | PMC 596-S NYLON LUG | | 01 01 |
| 11 | 0503010371 | 5/16" X 1" BOLT | | 02 02 |
| 12 | 0503010179 | 5/16" ZN SPRING WASHER | | 02 02 |
| 13 | 0503010337 | 5/16" NUT | | 02 02 |
| 14 | 0511069576 | RIGHT BRACKET SUPPORT FERTILIZER HOPPER | | 01 00 |
| 15 | 0511069575 | LEFT BRACKET SUPPORT FERTILIZER HOPPER | | 00 01 |
| 16 | 0503010395 | 1/2" X 1-1/4" BOLT | | 05 05 |
| 17 | 0511017302 | FLAT WASHER | | 05 05 |
| 18 | 0511069582 | EXTENDING FIXER SUPPORT | | 02 02 |
| 19 | 0503010834 | 1/2 X 1 BOLT | | 04 04 |
| 20 | 0511069579 | RIGHT TURNBUCKLE | | 02 00 |
| 21 | 0511069580 | LH SUPPORT TURNBUCKLE | | 00 02 |



| Item | Code | Description | See page | 15D 15E |
|------|------------|------------------------|----------|---------|
| 22 | 0503010395 | 1/2" X 1-1/4" BOLT | | 12 12 |
| 23 | 0503032624 | SILO FERTILIZER GUTTER | | 04 04 |



| Item | Code | Description | See page | 11 13 15 |
|------|------------|---------------------------|----------|----------|
| 00 | 0909091566 | SEED ROW ASSY | 14 | 11 13 15 |
| 01 | 0511046314 | RIGHT SHORT SEED ROW ASSY | | 11 13 15 |
| 02 | 0511048190 | RH LONG SEED ROW ASSY | | 11 13 15 |
| 03 | 0511046316 | LH SHORT SEED ROW ASSY | | 11 13 15 |
| 04 | 0501057364 | SEED SYSTEM ASSY | 17 | 11 13 15 |
| 05 | 0501052945 | DEPTH CONTROL WHEELS ASSY | 18 | 11 13 15 |
| 06 | 0501052935 | PRESS WHEELS ASSY | 19 | 11 13 15 |
| 07 | 0909092926 | BLADE DISC ASSY | 21 | 11 13 15 |



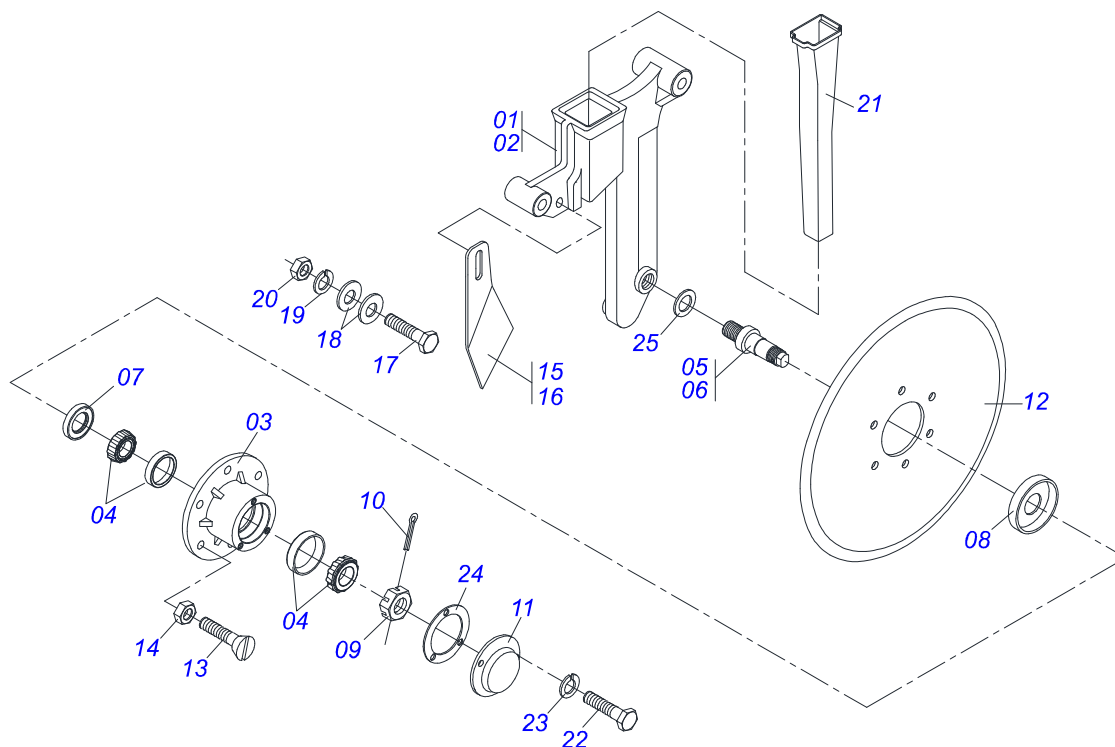
| Item | Code | Description | See page | 11 13 15 |
|------|------------|--------------------------------------|----------|----------|
| 01 | 0501053679 | SHORT SEEP ROW ARM | | 01 01 01 |
| 02 | 0501053680 | SHORT SEEP ROW ARM | | 01 01 01 |
| 03 | 0501057364 | SEED SYSTEM ASSY | 17 | 11 13 15 |
| 04 | 0502011830 | ARTICULACION SUPPORT | | 03 03 03 |
| 05 | 0503010762 | SCREW 5/8 UNC X 3.1/2 CS G.5 ZN | | 06 06 06 |
| 06 | 0511016156 | BOLT 5/8 UNC X1.1/2 CS PC G.5 ZN | | 22 26 30 |
| 07 | 0511060376 | SEEP SPRING GUIDE | | 03 03 03 |
| 08 | 0521010542 | COUPLING SHAFT | | 03 03 03 |
| 09 | 0503010257 | 1/8" X 1" COTTERPIN | | 09 09 09 |
| 10 | 0503031359 | 1"X15.75"X0.15" COMPRESSION SPRING | | 03 03 03 |
| 11 | 0503031360 | 1.68"X17.75"X0.3" COMPRESS SPRING | | 03 03 03 |
| 12 | 0502040534 | SPRING GUIDE BUSHING LOCK | | 06 06 06 |
| 13 | 0501013753 | FLAT WASHER | | 03 03 03 |
| 14 | 0503010013 | 5/8" NUT | | 03 03 03 |
| 15 | 0502010890 | SPRING ROD SUPPORT | | 02 02 02 |
| 16 | 0503013758 | 1/4" X 1-1/2" BOLT | | 06 06 06 |
| 17 | 0503010060 | 1/2" NUT | | 42 44 46 |
| 18 | 0503010920 | 1/2" X 1.1/2" BOLT | | 02 02 02 |
| 19 | 0502010891 | SPRING CHOCK SUPPORT VARON | | 03 03 03 |
| 20 | 0501018535 | 1/2 X 1 BOLT | | 06 06 06 |
| 21 | 0501013714 | STABILIZER BAR | | 06 07 08 |
| 22 | 0501018652 | CORN STABILIZER BAR | | 05 06 07 |
| 23 | 0503010740 | BOLT 1/2 UNC X 2 CS G.5 ZN | | 11 13 15 |
| 24 | 0511017302 | FLAT WASHER | | 11 13 15 |
| 25 | 0521010505 | 13,50 X 19,00 X 21,50 SLEEVE | | 11 13 15 |
| 26 | 0503010019 | 1/2" SPRING WASHER | | 11 13 15 |
| 27 | 0503010060 | 1/2" NUT | | 11 13 15 |
| 28 | 0503010026 | 3/8" NUT | | 03 03 03 |
| 29 | 0511044549 | 18" COULTER BLADE ASSY FOR SHORT ROW | | 06 07 08 |
| 30 | 0511044573 | 18" COULTER BLADE ASSY FOR LONG ROW | | 05 06 07 |
| 31 | 0503010002 | 1800 GREASE FITTING | | 02 02 02 |



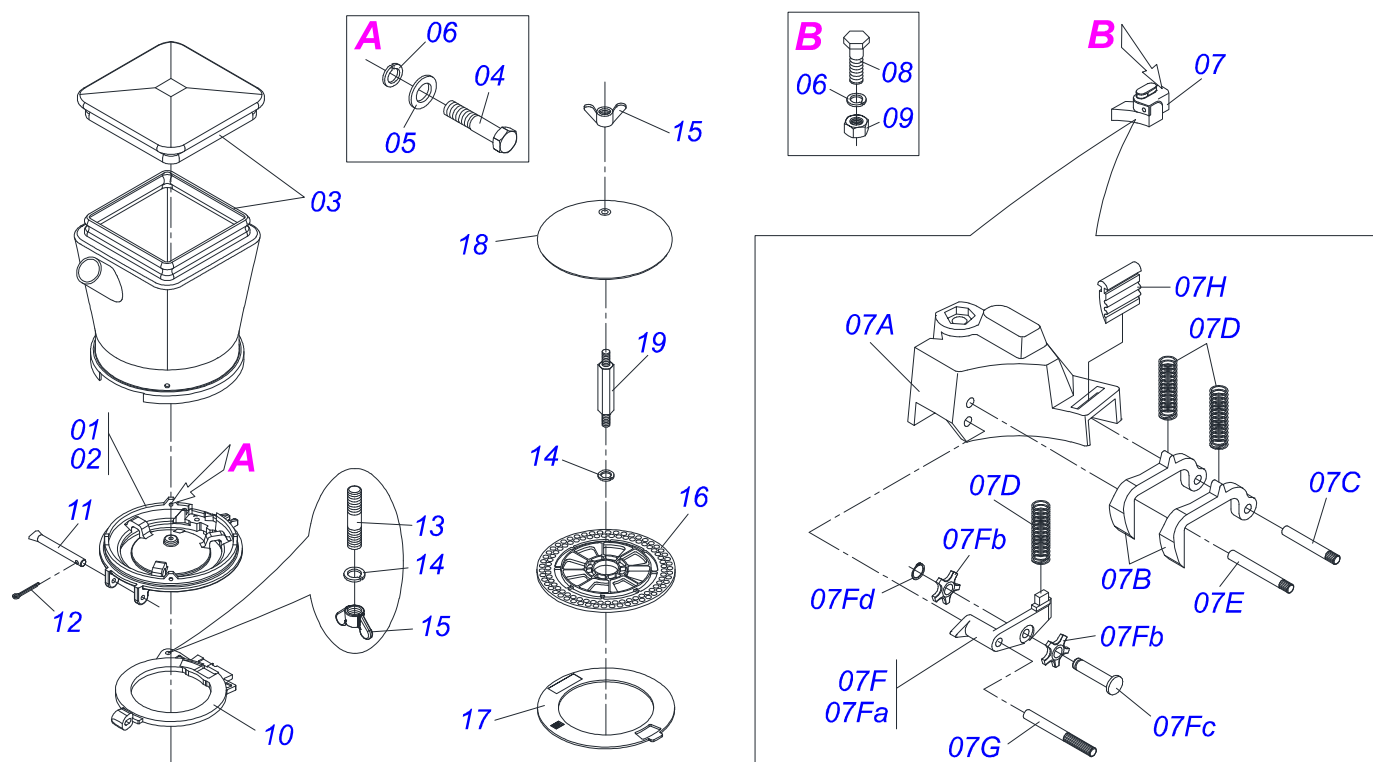
SEED ROW

0909091564

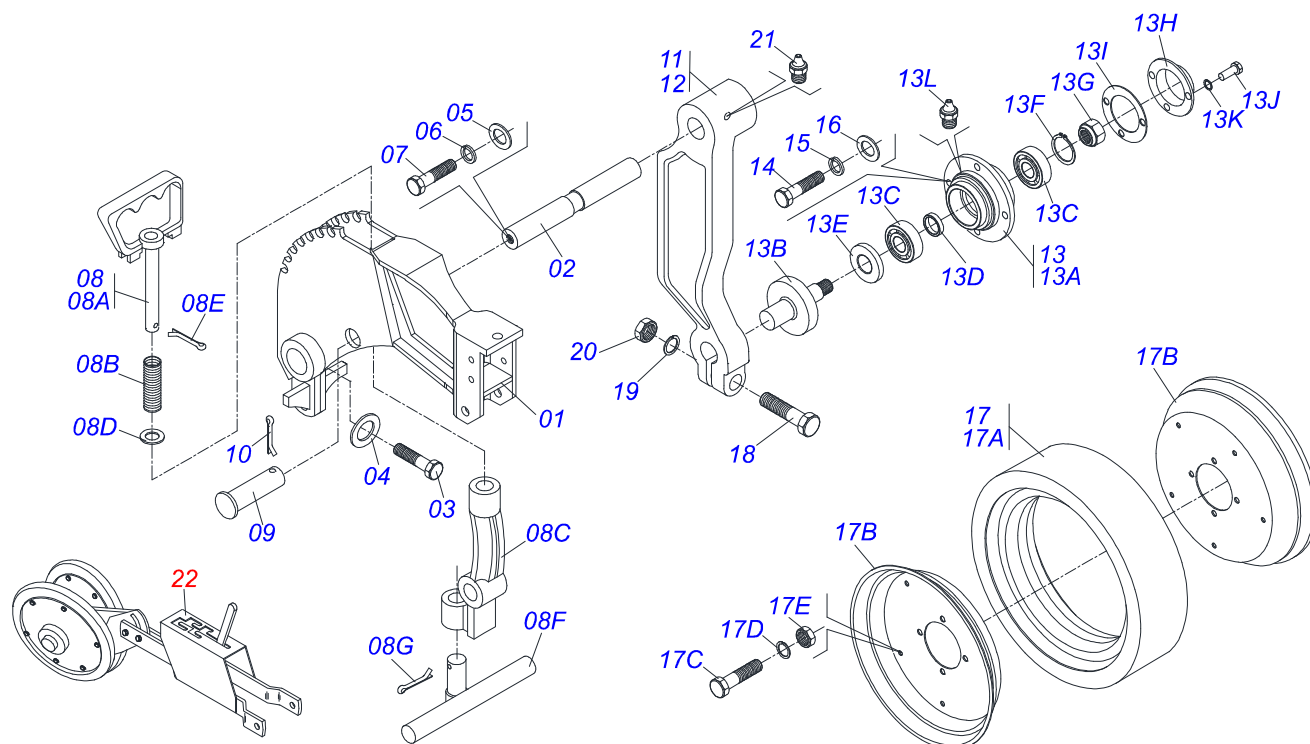
| Item | Code | Description | See page | 11 13 15 |
|------|------------|----------------|----------|----------|
| 32 | 0503011099 | GREASE FITTING | | 02 02 02 |



| Item | Code | Description | See page | QT |
|------|------------|-------------------------------------|----------|----|
| 00 | 0501052978 | RIGHT 15" X 15" DOUBLE DISC | | 01 |
| 00. | 0501052979 | LEFT 15" X 15" DOUBLE DISC | | 01 |
| 01 | 0502011184 | 15" X 15" DOUBLE DISC SUPPORT | | 01 |
| 02 | 0502011183 | 15"X15" LW SEED UNAL DOUB-DISC SUPP | | 01 |
| 03 | 0502011930 | DOUBLE DISC COULTER BOX | | 02 |
| 04 | 0503010598 | 30204 BALL BEARING | | 04 |
| 05 | 0521019154 | RIGHT DOUB DISC HUB | | 01 |
| 06 | 0521019148 | LEFT DOUBLE DISC HUB | | 01 |
| 07 | 0503011112 | SEAL 02376-BRG | | 02 |
| 08 | 0511011927 | DUST CLOAK | | 02 |
| 09 | 0503030282 | 3/4" CASTLE NUT | | 02 |
| 10 | 0503010257 | 1/8" X 1" COTTERPIN | | 02 |
| 11 | 0521019178 | COVER DEPTH | | 02 |
| 12 | 0603022042 | 13" X 0.12" PLAIN COULTER BLADE | | 02 |
| 13 | 0503010546 | 5/16" X 7/8" BOLT | | 12 |
| 14 | 0503010337 | 5/16" NUT | | 12 |
| 15 | 0501017541 | RH DOUBLE DISC SCRAPER | | 01 |
| 16 | 0501017542 | LH DOUBLE DISC SCRAPER | | 01 |
| 17 | 0503010751 | C3/8" X 1.1/4" HEX BOLT G.5 | | 01 |
| 18 | 0501010984 | FLAT WASHER | | 02 |
| 19 | 0503010025 | 3/8" SPRING WASHER | | 01 |
| 20 | 0503010026 | 3/8" NUT | | 01 |
| 21 | 0503030482 | SEED SOCKET | | 01 |
| 22 | 0503013758 | 1/4" X 1-1/2" BOLT | | 06 |
| 23 | 0503010143 | 1/4" SPRING WASHER | | 06 |
| 24 | 0503030757 | 2.9" X 2" X 0.02" JOINT | | 02 |
| 25 | 0511015098 | FLAT WASHER | | 02 |



| Item | Code | Description | See page | QT |
|------|------------|------------------------------------|----------|----|
| 01 | 0501057364 | SEED SYSTEM ASSY | 17 | 01 |
| 02 | 0502020324 | SEED BOX SUPPORT | | 01 |
| 03 | 0503033009 | SEED BOX W/COVER | | 01 |
| 04 | 0503010295 | SCREW 5/16 UNC X 5/8 CS G.2 ZN | | 04 |
| 05 | 0501010694 | 8.5 X 18 X 1.5 FLAT WASHER | | 04 |
| 06 | 0503010179 | 5/16" ZN SPRING WASHER | | 05 |
| 07 | 0501051094 | SEED DISTRIB ASSY WITH DOUB PULLEY | | 01 |
| 07A | 0503030381 | SEED DISTRIBUTOR BOX | | 01 |
| 07B | 0502010447 | TRIGGER | | 02 |
| 07C | 0501013467 | KEY AXLE | | 01 |
| 07D | 0503030378 | 0.4" X 1.1" X 0.03" SPRING | | 03 |
| 07E | 0501013466 | KEY LIMITER AXLE | | 01 |
| 07F | 0501051119 | DOUBLE PULLEY ROCKER'S | | 01 |
| 07Fa | 0503031129 | DOUBLE PULLEY ROCKER ARM | | 01 |
| 07Fb | 0503031128 | 5Z PLASTIC DOUB PULLEY FOR SOYBEAN | | 02 |
| 07Fc | 0521010649 | TOOTH PULLEY COUPLING SHAFT | | 01 |
| 07Fd | 0503011853 | 503050 CLAMPING RING (FOR HOLE) | | 01 |
| 07G | 0501013468 | ROCKER ARM AXLE, OF THE PULLEY | | 01 |
| 07H | 0503030377 | SCRAPER | | 01 |
| 08 | 0503010675 | 5/16" X 2.1/4" BOLT | | 01 |
| 09 | 0503010337 | 5/16" NUT | | 01 |
| 10 | 0502010408 | SEED DISC LOWER TRAIL | | 01 |
| 11 | 0521010536 | 0.3" X 3.8" COUPLING SHAFT | | 01 |
| 12 | 0503010140 | 1/8" X 3/4" COTTERPIN | | 01 |
| 13 | 0503030083 | 3/8" X 3/8" X 1.6" STUD | | 01 |
| 14 | 0503010025 | 3/8" SPRING WASHER | | 02 |
| 15 | 0503010209 | 3/8" UNC BUTTERFLY NUT | | 02 |
| 16 | 0503016217 | SOYBEAN SEED DISC 34 OBLONG | | 01 |
| 17 | 0503016219 | RING TO SOYBEANS | | 01 |
| 18 | 0503034131 | DEFLECTOR | | 01 |
| 19 | 0571018536 | HEX PRISONER | | 01 |



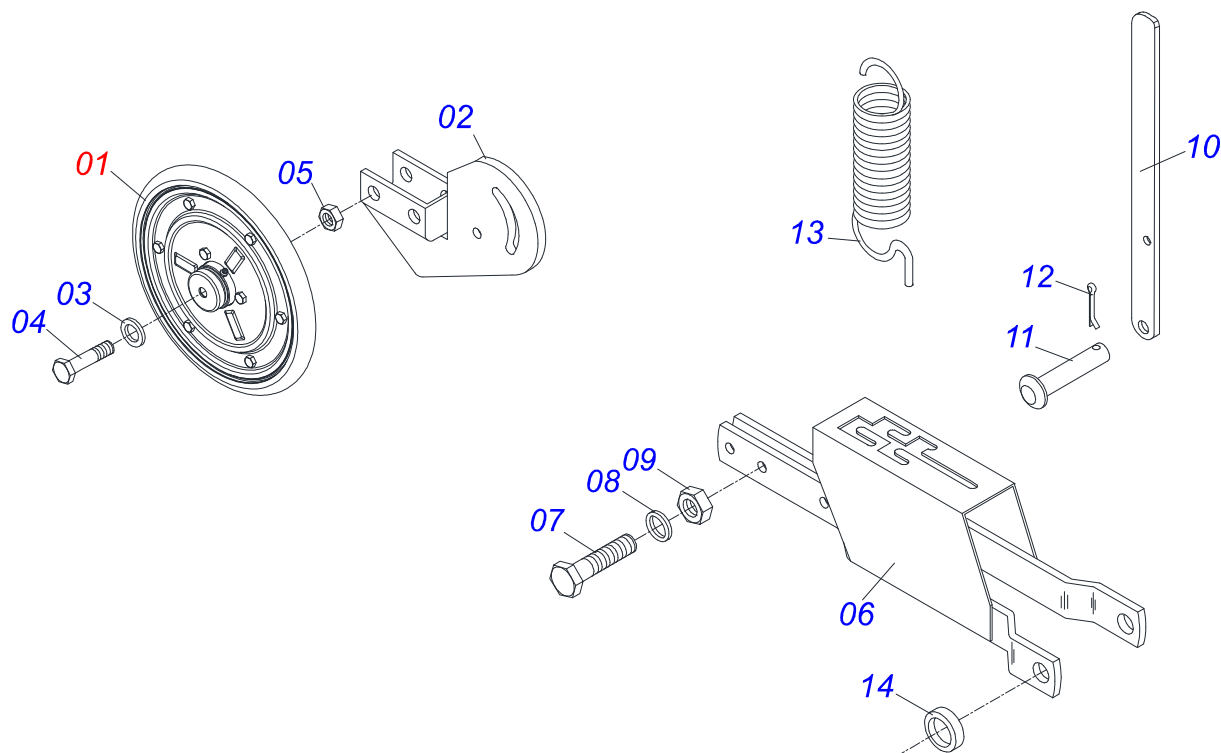
| Item | Code | Description | See page | QT |
|------|------------|------------------------------------|----------|----|
| 01 | 0502012086 | DEPTH CONTROL SUPPORT | | 01 |
| 02 | 0511012244 | DEPTH CONTROL WHEEL AXLE | | 01 |
| 03 | 0503010256 | 3/8" X 3/4" BOLT | | 01 |
| 04 | 0521015818 | FLAT WASHER | | 04 |
| 05 | 0511017302 | FLAT WASHER | | 02 |
| 06 | 0503010019 | 1/2" SPRING WASHER | | 02 |
| 07 | 0503010834 | 1/2 X 1 BOLT | | 02 |
| 08 | 0501052297 | DEPTH WHEELS REGULATOR ASSY | | 01 |
| 08A | 0502011689 | 1/8" DEPTH CONTROL LEVER | | 01 |
| 08B | 0503030975 | 0.9" X 1.5" X 0.1" SPRING | | 01 |
| 08C | 0502011688 | SEED SIST CONTROL DEPTH LEVER | | 01 |
| 08D | 0511015976 | FLAT WASHER | | 01 |
| 08E | 0503010257 | 1/8" X 1" COTTERPIN | | 01 |
| 08F | 0511060699 | DEPTH WHEEL STOP | | 01 |
| 08G | 0503010071 | 3/16" X 1" COTTERPIN | | 01 |
| 09 | 0521019093 | 0.6" X 2.7" PIVOT SHAFT | | 01 |
| 10 | 0503010778 | 1/8" X 1.1/2" COTTERPIN | | 01 |
| 11 | 0502011699 | RIGHT DEPTH WHEEL ARM | | 01 |
| 12 | 0502011698 | LEFT DEPTH WHEEL ARM | | 01 |
| 13 | 0501052627 | ASSY DEPTH WHEEL BOX | | 02 |
| 13A | 0502011907 | DEPTH CONTROL WHEEL HUB | | 02 |
| 13B | 0511060927 | DEPTH CONTROL AXLE WITH DUST CLOAK | | 02 |
| 13C | 0503010269 | 6204 BALL BEARING | | 04 |
| 13D | 0521010489 | SLEEVE SPACER | | 02 |
| 13E | 0503010689 | SEAL 00763-BR | | 02 |
| 13F | 0503011105 | SEAL RING | | 02 |
| 13G | 0503010878 | 5/8" SELF ALIGNING NUT | | 02 |
| 13H | 0521019178 | COVER DEPTH | | 02 |
| 13I | 0503030757 | 2.9" X 2" X 0.02" JOINT | | 02 |
| 13J | 0503010298 | 1/4" X 1/2" BOLT | | 16 |
| 13K | 0503011441 | SPRING WASHER | | 06 |



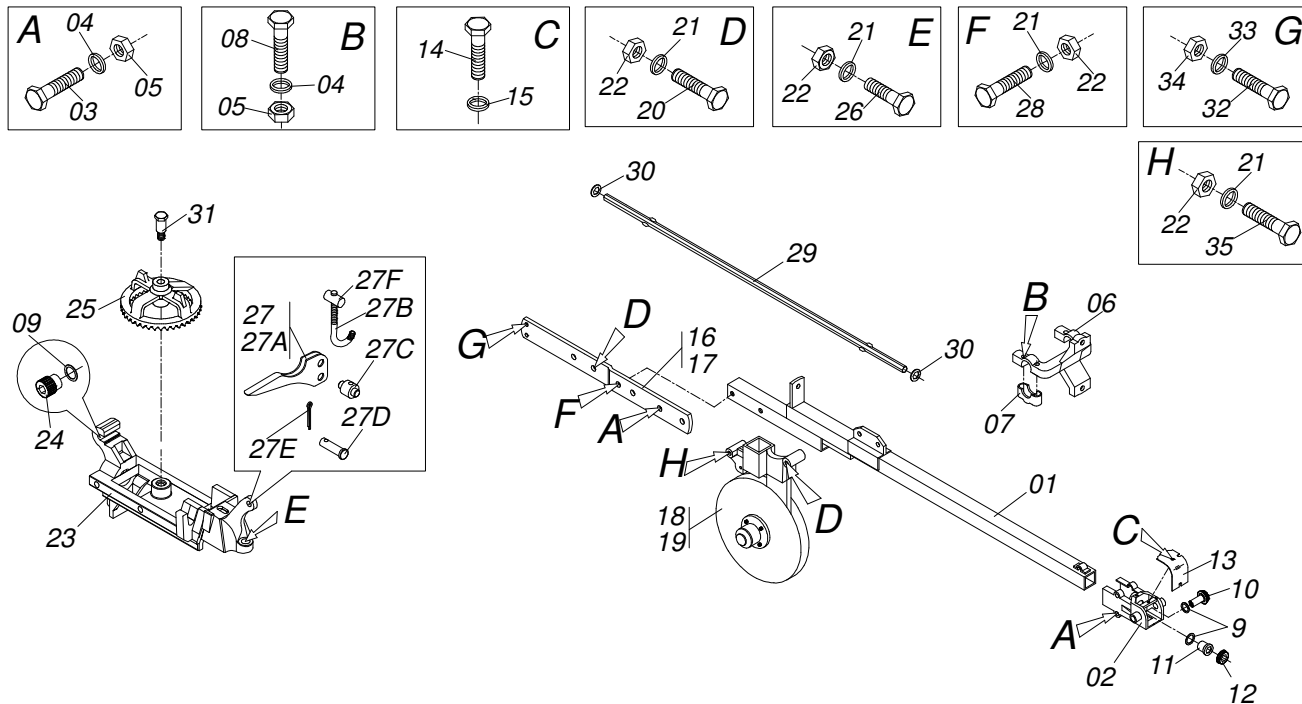
DEPTH CONTROL WHEELS ASSY

0501052945

| Item | Code | Description | See page | QT |
|------|------------|---------------------------------|----------|----|
| 13L | 0503010691 | 1/4" GREASE FITTING | | 02 |
| 14 | 0503010358 | 5/16" X 5/8" BOLT | | 08 |
| 15 | 0503010179 | 5/16" ZN SPRING WASHER | | 08 |
| 16 | 0503013816 | 5/16" LOCKNUT | | 08 |
| 17 | 0501052538 | DEPTH BAND WITH ARMS | | 02 |
| 17A | 0503030551 | DEPTH CONTROL WHEEL RUBBER BAND | | 02 |
| 17B | 0521010832 | RIM FLANGE | | 04 |
| 17C | 0503010298 | 1/4" X 1/2" BOLT | | 10 |
| 17D | 0503010143 | 1/4" SPRING WASHER | | 10 |
| 17E | 0503010144 | 1/4" NUT | | 10 |
| 18 | 0503010740 | BOLT 1/2 UNC X 2 CS G.5 ZN | | 02 |
| 19 | 0503011440 | SPRING WASHER | | 02 |
| 20 | 0503010060 | 1/2" NUT | | 02 |
| 21 | 0503010002 | 1800 GREASE FITTING | | 04 |
| 22 | 0501052935 | PRESS WHEELS ASSY | 19 | 01 |



| Item | Code | Description | See page | QT |
|------|------------|-----------------------------------|----------|----|
| 01 | 0501052908 | COMPACTOR WHEEL WITH BEARING | | 02 |
| 02 | 0502011757 | PRESS REGULATOR | | 01 |
| 03 | 0521014508 | FLAT WASHER | | 10 |
| 04 | 0503010706 | SCREW 1/2 UNC X 4.1/2 C S G.5 ZN | | 02 |
| 05 | 0503011336 | 1/2" HEX SELF ADJUSTING NUT | | 02 |
| 06 | 0511060673 | PRESS WHEELS REGULATOR | | 01 |
| 07 | 0503010849 | 3/8" X 1-1/2" BOLT | | 02 |
| 08 | 0503010025 | 3/8" SPRING WASHER | | 02 |
| 09 | 0503010026 | 3/8" NUT | | 02 |
| 10 | 0541016906 | PRESS WHEELS REGULATOR BODY | | 01 |
| 11 | 0521010539 | 0.3" X 1.2" COUPLING SHAFT | | 01 |
| 12 | 0503010257 | 1/8" X 1" COTTERPIN | | 01 |
| 13 | 0503030805 | 1.6" X 6" X 0.2" TRACTION SPRING | | 01 |
| 14 | 0521010480 | 1" X 1.2" X 0.4" ARTICULAT SLEEVE | | 02 |



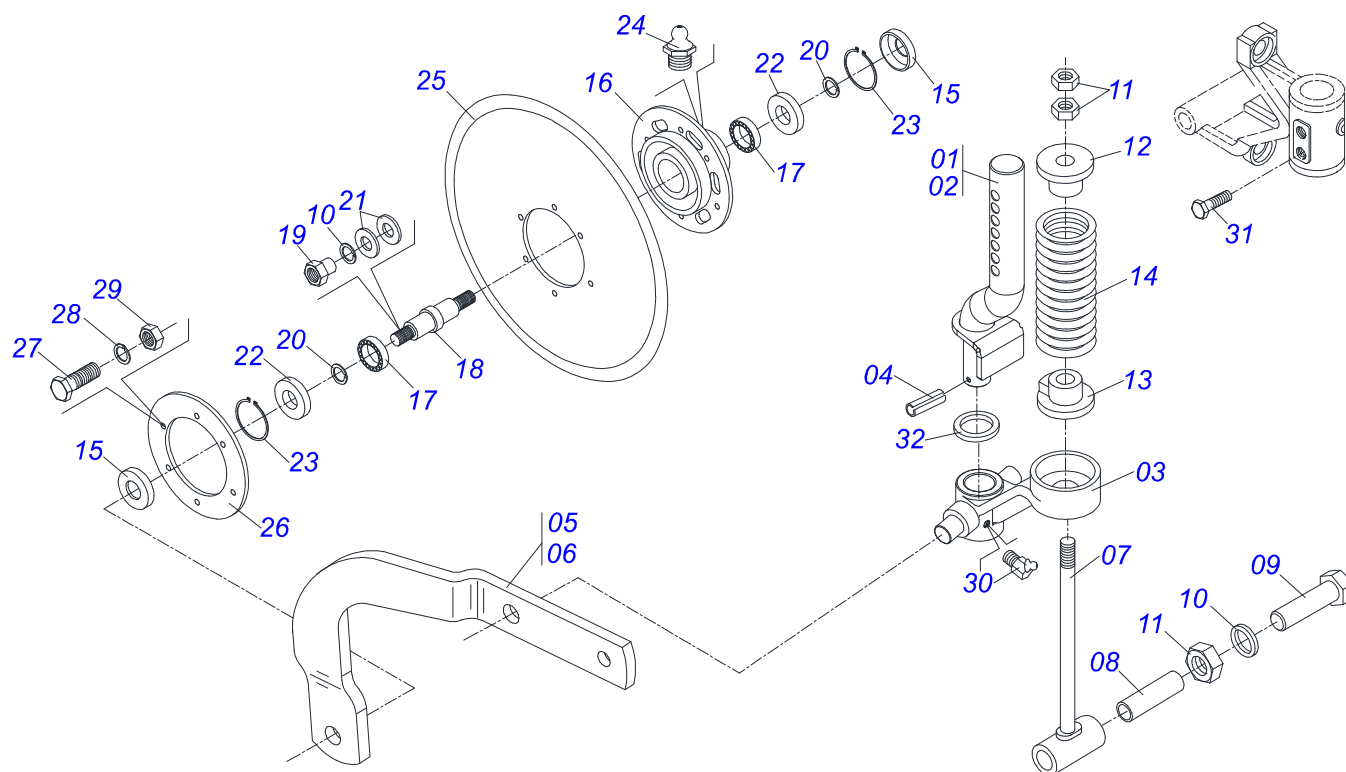
| Item | Code | Description | See page | QT |
|------|------------|-------------------------------|----------|----|
| 00 | 0501053679 | SHORT SEEP ROW ARM | | 01 |
| 00A | 0501053680 | SHORT SEEP ROW ARM | | 01 |
| 01 | 0511061761 | SHORT SEEP ROW ARM | | 01 |
| 02 | 0502011830 | ARTICULACION SUPPORT | | 01 |
| 03 | 0503010752 | 1/2" X 3.1/2" BOLT | | 02 |
| 04 | 0503011440 | SPRING WASHER | | 02 |
| 05 | 0503010060 | 1/2" NUT | | 02 |
| 06 | 0502011561 | BEARING SEMI | | 01 |
| 07 | 0502010426 | UPPER BEARING SEMI | | 02 |
| 08 | 0503010479 | 1/2" X 3" BOLT | | 04 |
| 09 | 0501013354 | FLAT WASHER | | 02 |
| 10 | 0502011400 | 18Z CONICAL GEAR | | 01 |
| 11 | 0502011296 | 1/2 HEX AXLE BEARING SLEEVE | | 01 |
| 12 | 0502011505 | 18Z CONICAL GEAR | | 01 |
| 13 | 0521018079 | SEEP ROW DRAWBAR COVER | | 01 |
| 14 | 0503013758 | 1/4" X 1-1/2" BOLT | | 02 |
| 15 | 0503011441 | SPRING WASHER | | 02 |
| 16 | 0501013413 | RIGHT SIDE BASE | | 01 |
| 17 | 0501013414 | LEFT SIDE BASE | | 01 |
| 18 | 0501052978 | RIGHT 15" X 15" DOUBLE DISC | | 01 |
| 19 | 0501052979 | LEFT 15" X 15" DOUBLE DISC | | 01 |
| 20 | 0503010723 | 7/16" X 4" BOLT | | 02 |
| 21 | 0503011446 | SPRING WASHER | | 02 |
| 22 | 0503010244 | 7/16" NUT | | 02 |
| 23 | 0502012314 | SEED BOX FIXING BASE | | 01 |
| 24 | 0502011411 | 10Z CONICAL GEAR | | 01 |
| 25 | 0502011418 | 40Z CONICAL GEAR | | 01 |
| 26 | 0503010851 | 7/16" X 3.1/2" BOLT | | 01 |
| 27 | 0501058010 | SEMIFINISHED FAST CLOSING SET | | 01 |
| 27A | 0541016855 | SPEED LOCK LEVER ASSY | | 01 |
| 27B | 0561019318 | PRISONER CLOSING FAST | | 01 |



ARM SEED LINE

0909093113

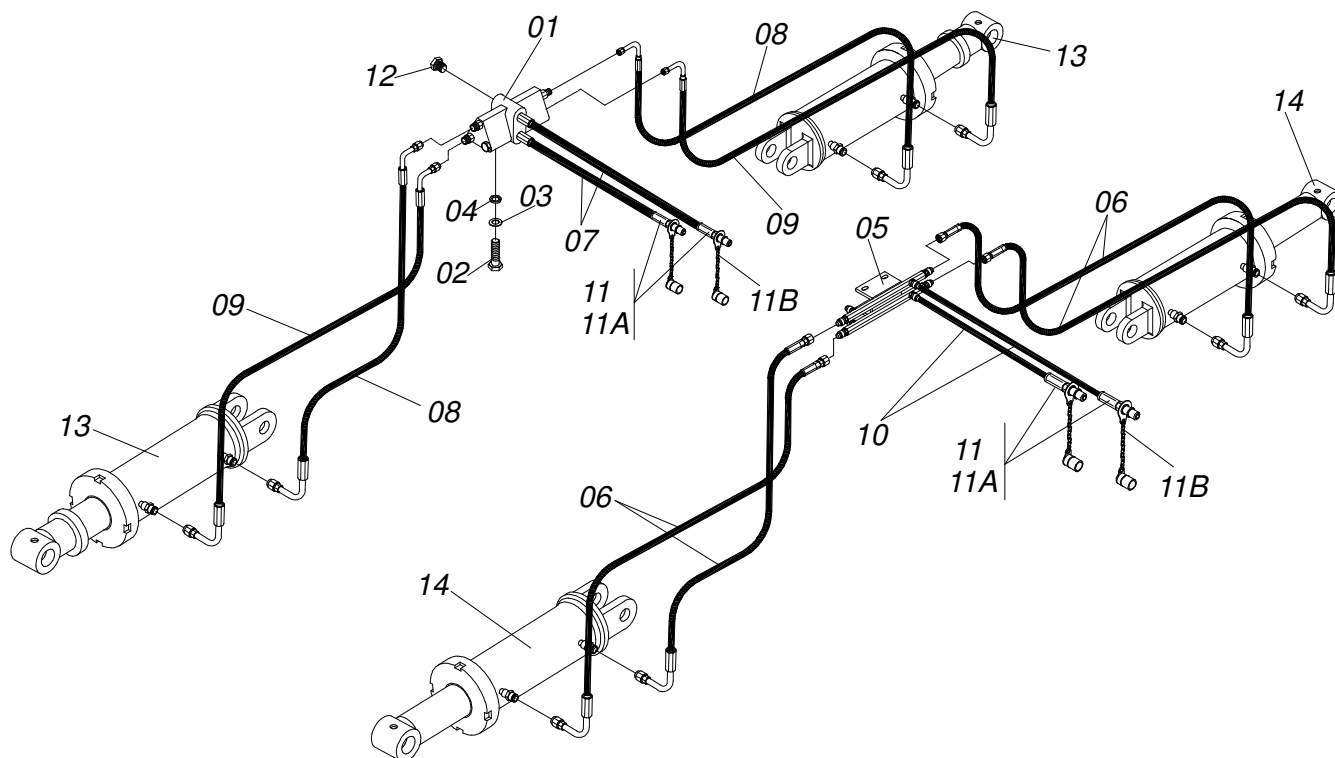
| Item | Code | Description | See page | QT |
|------|------------|-----------------------------|----------|----|
| 27C | 0551018050 | FAST BOLT GUIDE AXLE | | 02 |
| 27D | 0503010257 | 1/8" X 1" COTTERPIN | | 02 |
| 27E | 0561019270 | FAST BOLT ADJUSTMENT | | 01 |
| 27F | 0551018051 | FAST BOLT AXLE | | 01 |
| 28 | 0503011173 | 7/16" X 2" BOLT | | 01 |
| 29 | 0521018077 | 1/2" X 58.6" HEX AXLE | | 01 |
| 30 | 0501013352 | FLAT WASHER | | 02 |
| 31 | 0511018700 | AXLE | | 01 |
| 32 | 0503010848 | 5/16" X 3.1/2" BOLT | | 02 |
| 33 | 0503011444 | SPRING WASHER | | 02 |
| 34 | 0503010337 | 5/16" NUT | | 02 |
| 35 | 0503010850 | BOLT 7/16 UNC X 3 CS G.5 ZN | | 01 |
| 36 | 0503010002 | 1800 GREASE FITTING | | 02 |
| 37 | 0503011099 | GREASE FITTING | | 02 |



| Item | Code | Description | See page | CT LG |
|------|------------|---------------------------------------|----------|-------|
| 00 | 0511044549 | 18" COULTER BLADE ASSY FOR SHORT ROW | | 01 00 |
| 00. | 0511044573 | 18" COULTER BLADE ASSY FOR LONG ROW | | 00 01 |
| 01 | 0511067045 | SHORT WHIT BEATER BLADE DISC FIX AXLE | | 01 00 |
| 02 | 0511067044 | LONG WHIT BEATER BLADE DISC FIX AXLE | | 00 01 |
| 03 | 0502012368 | BLADE DISC SUPPORT AXLE | | 01 01 |
| 04 | 0503010361 | SPRING PIN | | 01 01 |
| 05 | 0521014137 | RIGHT ARM OF THE BLADE DISC | | 01 01 |
| 06 | 0521014138 | SUPPORT ARM LEFT BALDE DISC | | 01 01 |
| 07 | 0501067323 | SPRING REGULATOR | | 01 01 |
| 08 | 0521010452 | SLEEVE | | 01 01 |
| 09 | 0503013185 | 3/4" X 5-1/2" BOLT | | 01 01 |
| 10 | 0503011442 | 3/4" SPRING WASHER | | 01 01 |
| 11 | 0503010014 | 3/4" NUT | | 03 03 |
| 12 | 0502020393 | SPRING UPPER SUPPORT | | 01 01 |
| 13 | 0502020394 | SPRING SUPPORT | | 01 01 |
| 14 | 0503031341 | 2.7 X 8 X 0.5 COMPRESSION SPRING | | 01 01 |
| 15 | 0521015376 | DUST CLOAK | | 02 02 |
| 16 | 0502011562 | DC PST ACT/ULTR BOX | | 01 01 |
| 17 | 0503010276 | 6206 BALL BEARING | | 02 02 |
| 18 | 0521013610 | BLADE DISC HUB AXLE | | 01 01 |
| 19 | 0521013510 | 3/4" NUT | | 02 02 |
| 20 | 0503011438 | SPRING WASHER | | 02 02 |
| 21 | 0511015346 | FLAT WASHER | | 02 02 |
| 22 | 0503012417 | SEAL | | 02 02 |
| 23 | 0503011800 | SEAL RING | | 02 02 |
| 24 | 0503010691 | 1/4" GREASE FITTING | | 01 01 |
| 25 | 0603026013 | PLAIN COULTER BLADE | | 01 01 |
| 26 | 0502020641 | BLADE DISC FLANGE | | 01 01 |
| 27 | 0503010371 | 5/16" X 1" BOLT | | 06 06 |
| 28 | 0503011444 | SPRING WASHER | | 06 06 |
| 29 | 0503010337 | 5/16" NUT | | 06 06 |



| Item | Code | Description | See page | CT LG |
|------|------------|----------------------------------|----------|-------|
| 30 | 0503010003 | 1845 GREASE FITTING | | 01 01 |
| 31 | 0511016156 | BOLT 5/8 UNC X1.1/2 CS PC G.5 ZN | | 02 02 |
| 32 | 0541018684 | FLAT WASHER | | 01 01 |



| Item | Code | Description | See page | QT |
|------|------------|-------------------------------------------|----------|----|
| 01 | 0501044565 | VDFS002 SEQUENCE VALVE | | 01 |
| 02 | 0503010237 | 3/8" X 1" BOLT | | 02 |
| 03 | 0501010984 | FLAT WASHER | | 02 |
| 04 | 0503010025 | 3/8" SPRING WASHER | | 02 |
| 05 | 0511069221 | OIL CONDUCTOR | | 01 |
| 06 | 0501080056 | 3/8" X 1700 TR-TC HOSE ASSY | | 04 |
| 07 | 0501080365 | HOSE 3/8 X 3500 TC-TM | | 02 |
| 08 | 0501080753 | HOSE 3/8 X 4700 TC-TC | | 02 |
| 09 | 0501080718 | HOSE 3/8 X 5000 TC-TC | | 02 |
| 10 | 0501080004 | HOSE 1/2 X 3500 TR-TM | | 02 |
| 11 | 0501053834 | MALE QUICK COUPLER WITH CAP - 1/2 NPT | | 04 |
| 11A | 0503011627 | MALE QUICK COUPLER AGR 1/2 NPT | | 04 |
| 11B | 0503011882 | MALE QUICK COUPLER CAP | | 04 |
| 12 | 0531017427 | 3/4" X 06" PUMP | | 01 |
| 13 | 0511040299 | 50,8X101,6X465X160 HYDRAULIC CYLINDER | 3 | 02 |
| 14 | 0511040203 | 1.5" X 2.5" X 19" X 9" HYDRAULIC CYLINDER | 2 | 02 |



www.marchesan.com.br



Technical Publications | Elaboration and Revision
JOSÉ DOMINGOS GASPARI