

# PARTS CATALOGUE



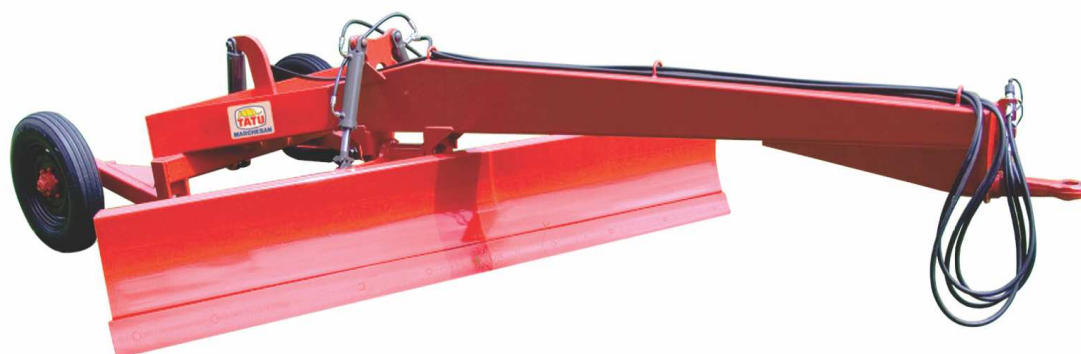
## AUXILIARY PRODUCTS

**Code:**

0501090882

**Product:**

LTA 3000



**Series:**

S-0311

**Revision:**

00

**Date Revision:**

JULHO/2011



# PRODUCTS

Code	Description
0106060001	LTA 3000 S-0109
0106060041	LTA 3000 C/PNEU 750X16-10L S-0109
0106060028	LTA 3000 C/RODA/CUBO S/PNEU S-0311
0106060002	LTA 3000 S/PNEU S-0109

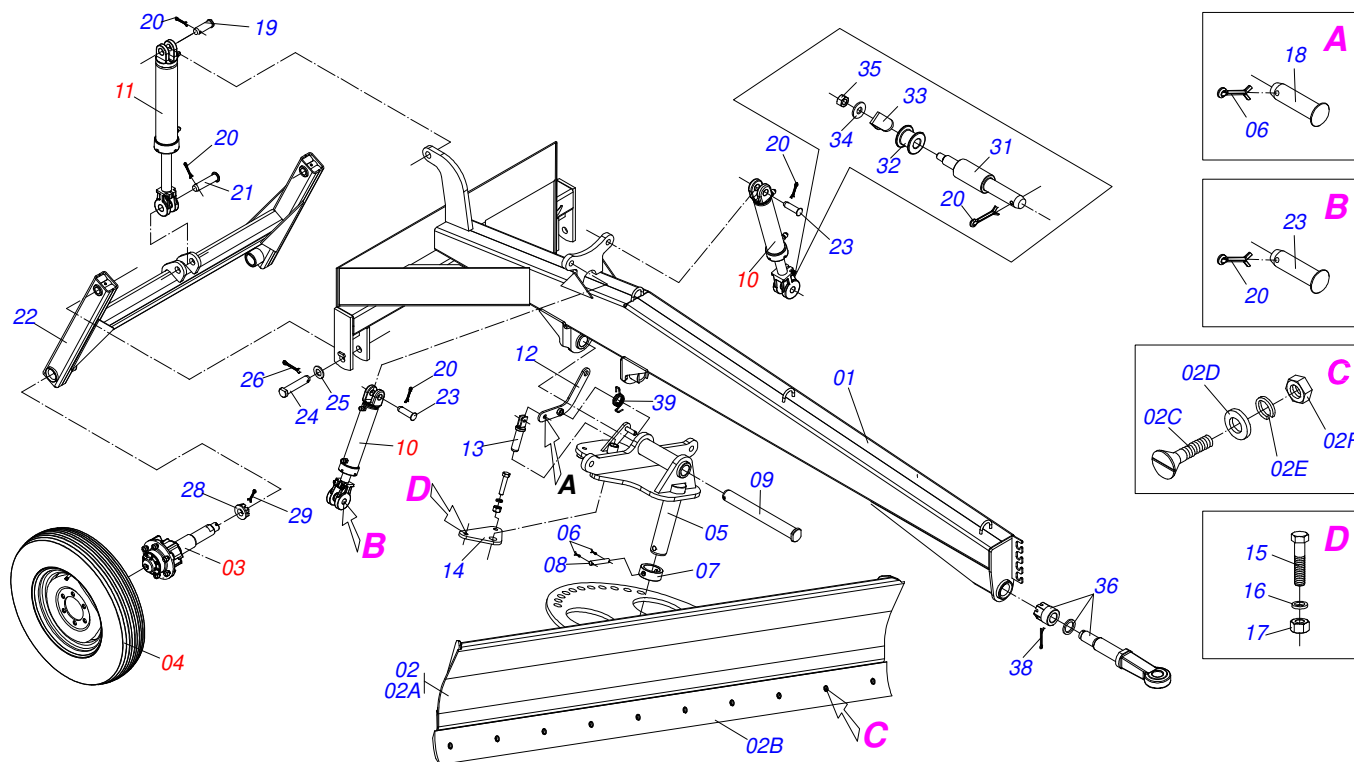
## ATTENTION: IMPORTANT

Marchesan S.A. reserves the right to improve and / or modify the technical features of its products, without obligation to do the same with those products already sold and without prior knowledge of the dealer or the consumer.



# INDEX

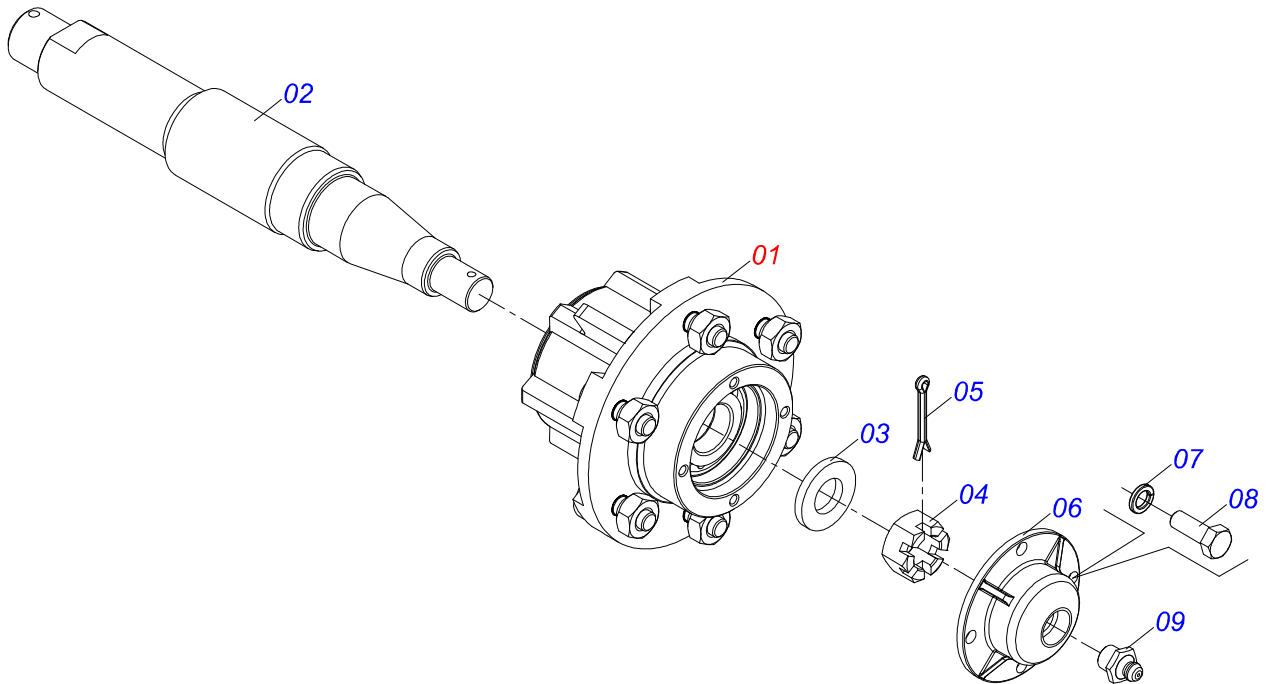
0909093218	FRAME	.....	1
0501051634	TSTUB SHAFT & HUB ASSY	.....	2
0503060094	WHEEL AND TIRE ASSY	.....	3
0909093243	CARRYING-WHEELS ARM ASSY	.....	4
0511047811	HYDRAULIC CYLINDER	.....	5
0511042770	HYDRAULIC CYLINDER	.....	6



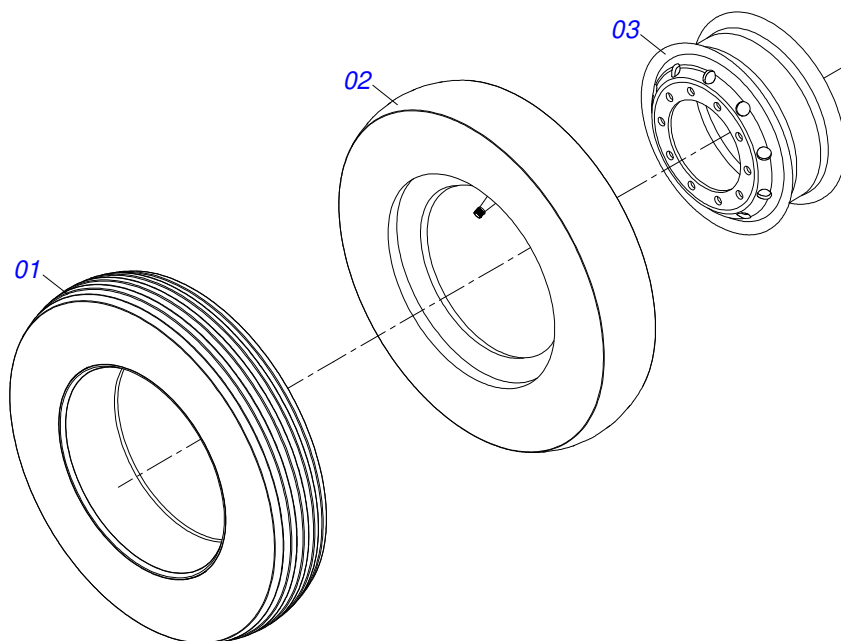
Item	Code	Description	See page	QT
01	0521060610	FRAME		01
02	0511047823	DOZER BLADE ASSY		01
02A	0521060611	DOZER BLADE		01
02B	0561012685	SCRAPER		01
02C	0501012239	5/8" X 1.3/4" BOLT		10
02D	0501012140	FLAT WASHER		10
02E	0503011445	SPRING WASHER		10
02F	0503010013	5/8" NUT		10
03	0511047822	STUB SHAFT & HUB ASSY		02
04	0503060094	WHEEL AND TIRE ASSY	3	02
05	0521060613	FIXER SUPPORT BLADE		01
06	0503010071	3/16" X 1" COTTERPIN		03
07	0561012651	SLEEVE 74.50 X 101.60 X 40		01
08	0511013598	3/4" X 4.7" COUPLING SHAFT		01
09	0561012652	BLADE SHAFT ARTICULATOR LTA 3000		01
10	0511047811	HYDRAULIC CYLINDER	5	02
11	0511042770	HYDRAULIC CYLINDER	6	01
12	0521060616	LEVER LOCK BLADE		01
13	0521060615	LOCK PIN BLADE		01
14	0561012656	BASE BODY LOWER PULLEY		01
15	0501010195	3/4" X 3-1/2" BOLT		02
16	0503010023	3/4" SPRING WASHER		02
17	0503010014	3/4" NUT		02
18	0521010624	0.4" X 1.5" COUPLING SHAFT		01
19	0521012538	1.2" X 3.5" COUPLING SHAFT		01
20	0503010523	1/4" X 2" COTTERPIN		06
21	0521010545	1.2" X 5.1" COUPLING SHAFT		01
22	0521060612	WHEEL		01
23	0521010575	C0.9" X 3.3" COUPLING SHAFT		01
24	0561012693	SHAFT JOINT 31.20 X 163 LTA		01
25	0501010307	FLAT WASHER		02



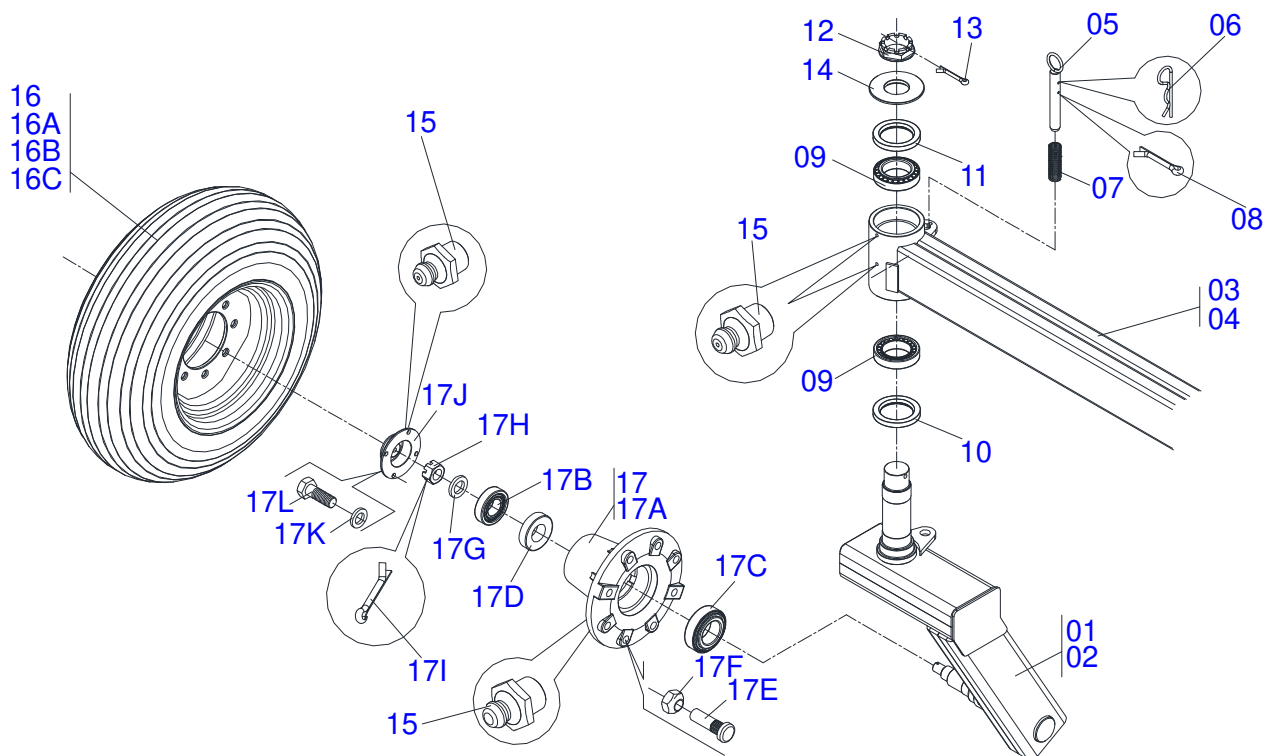
Item	Code	Description	See page	QT
26	0503010534	3/8 X 2-1/2 COTTERPIN		02
28	0501011301	1.1/2 UNC 6FPP 2.5/16 NUT		02
29	0503010010	1/4" X 2.1/2" COTTERPIN		02
30	0503010894	0.2"X0.6"X4.6"X6F0.6"X6" WHEEL		02
31	0561012721	FIXER AXLE CYLINDER		01
32	0503030402	PULLEY		01
33	0561012722	L GUIDE ROPE		01
34	0511017302	FLAT WASHER		01
35	0503010060	1/2" NUT		01
36	0503061649	PONTEIRA HITCH SILPA		01
37	0511019776	FLAT WASHER		01
38	0503012213	1/4" COTTERPIN		01
39	0503030025	1.4" X 0.2" TORSION SPRING		01



Item	Code	Description	See page	QT
01	0501051142	CARRYING WHEEL HUB		01
02	0521010821	2.5" X 16.5" AXLE		01
03	0501016545	FLAT WASHER		01
04	0503030009	1" CASTLE NUT		01
05	0503010018	5/32 X 1-1/2 COTTERPIN		01
06	0502020591	PROTECCION COVER		01
07	0503011444	SPRING WASHER		04
08	0503010358	5/16" X 5/8" BOLT		04
09	0503010002	1800 GREASE FITTING		01



Item	Code	Description	See page	QT
01	0503010065	CANVAS TIRE		01
02	0503010068	6.00 X 16 INNER TIRE		01
03	0503010894	0.2"X0.6"X4.6"X6F0.6"X6" WHEEL		01



Item	Code	Description	See page	QT
01	0521060221	RIGHT CARRYING-WHEELS SUPPORT	01	01
02	0521060219	LEFT CARRYING-WHEELS SUPPORT	01	01
03	0521060211	RIGHT ARM	01	01
04	0521060212	LEFT ARM	01	01
05	0511064229	LOCK PIN	02	02
06	0503030012	HAIR PIN	02	02
07	0503030978	COMPRES SPRING	02	02
08	0503010131	3/16" X 1-1/2" COTTERPIN	02	02
09	0503010059	33287/33462 ROLLER BEARING	02	02
10	0503010050	SEAL 00085-B	02	02
11	0503012314	2-248 1G05195 O'RING	01	01
12	0502040080	2.1/2" SLOTTED NUT	01	01
13	0503010073	3/8 X 3-1/2 COTTERPIN	01	01
14	0541016926	HUB COVER	01	01
15	0503010002	1800 GREASE FITTING	04	04
16	0503060414	WHEEL AND TIRE	02	02
16A	0503012108	RODA 10 LB X 15 X 8F X 203 GCRO	02	02
16B	0503010860	CAMARA AR 11L 15	01	01
16C	0503010858	CANVAS TIRE	01	01
17	0501058791	STUB SHAFT & HUB ASSY	01	01
17A	0502012260	CAIXA RODADO TRANSPORTE	01	01
17B	0503010008	ROLAMENTO 3780/37203	01	01
17C	0503011156	ROLAMENTO 2780/2720 IMP	01	01
17D	0503013314	RETENTOR 5166-GB 63,5 X 110 X 13 ARCA	01	01
17E	0501010186	WHEEL SCREW 5/8UNF X 2.1/8CR	08	08
17F	0503010064	5/8 UNF CONIC NUT	08	08
17G	0511012492	ARRUELA LISA 28 X 46 X 6,30	01	01
17H	0503030009	1" CASTLE NUT	01	01
17I	0503010018	5/32 X 1-1/2 COTTERPIN	01	01
17J	0502020591	PROTECCION COVER	01	01
17K	0503011444	SPRING WASHER	04	04

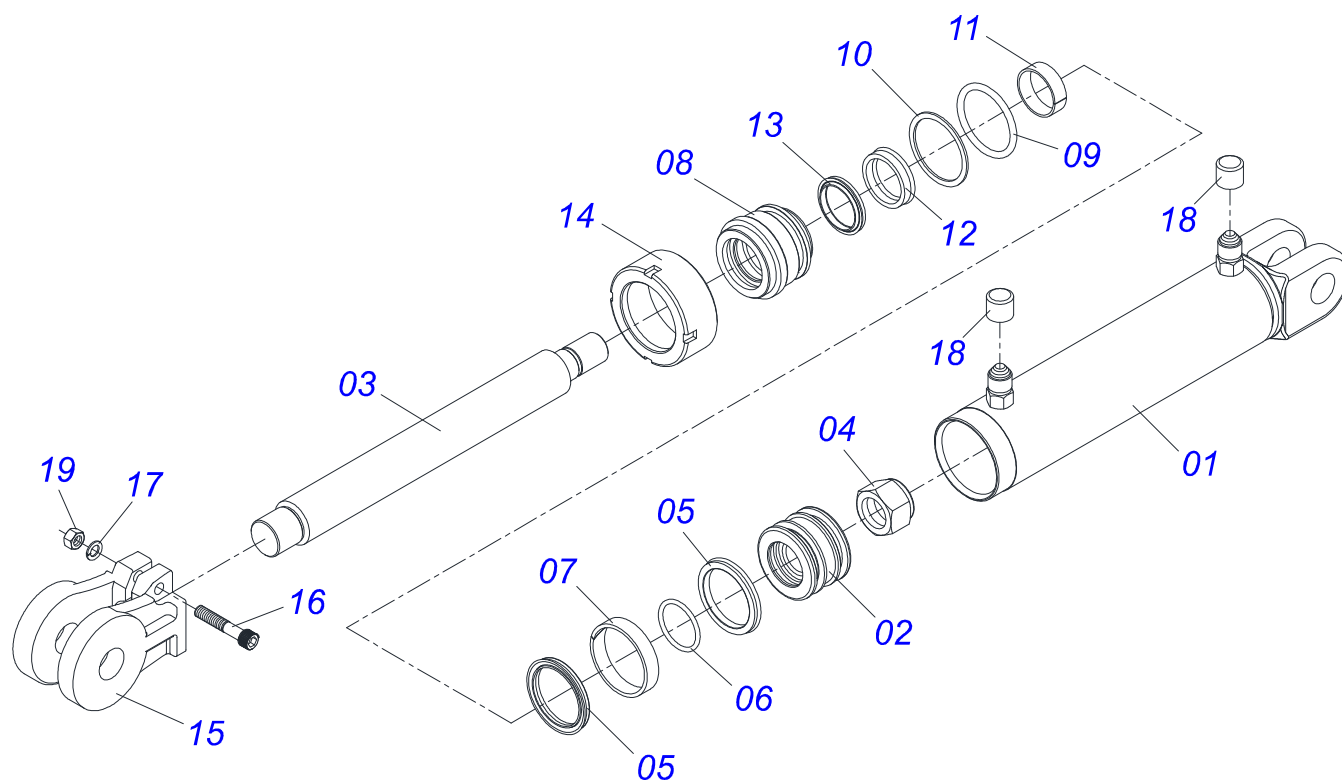




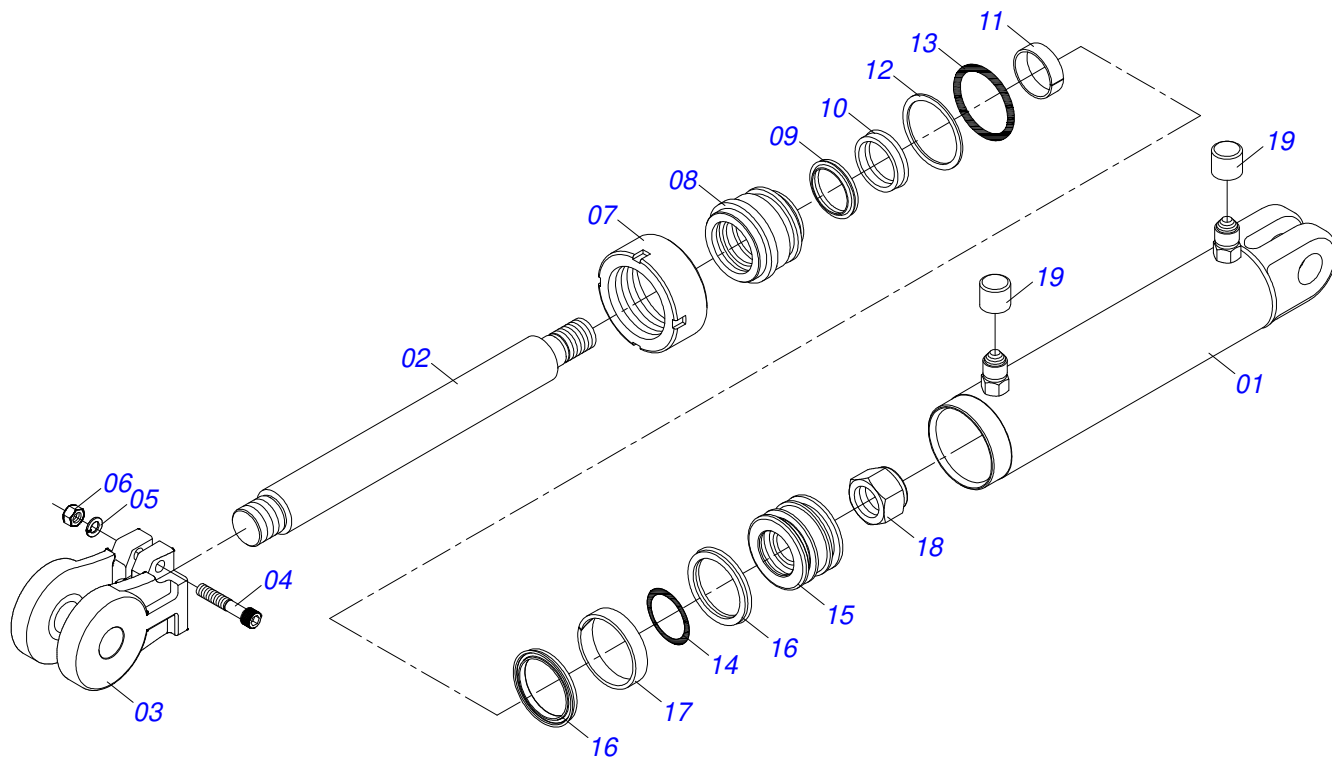
CARRYING-WHEELS ARM ASSY

0909093243

Item	Code	Description	See page	QT
17L	0503010358	5/16" X 5/8" BOLT		04



Item	Code	Description	See page	QT
01	0521060618	63,50 X 309 CYLINDER CASE		01
02	0502010783	1.5" X 2.5" PISTON		01
03	0561012695	38,1 X 37 TURNBUCKLE		01
04	0503010063	1" SELF-ALIGNING NUT		01
05	0503010160	2500 2000 GASKET		02
06	0503010285	2-222 N 3006-9B O'RING		01
07	0503010973	W2-2500-500 PK O'RING G.E		01
08	0502010780	RING SUPPORT		01
09	0503010161	2-330 N 3006 9B O'RING		01
10	0503011058	8-330 BACK-UP RING		01
11	0503010970	W1-1650-500 PK O'RING G.E		01
12	0503010989	1870-1500-375-B GASKET		01
13	0503010163	D-1500 SCRAPER RING		01
14	0502010471	MOBILE COVER		01
15	0502040493	CLEVIS 26,50 R41		01
16	0503011094	3/8" X 2" BOLT		01
17	0503011443	3/8" SPRING WASHER		01
18	0503030385	CYLINDER PLUG N-002		02
19	0503010026	3/8" NUT		01



Item	Code	Description	See page	QT
01	0511065683	85,72 X 509 CYLINDER CASE		01
02	0521010827	HYDRAULIC CYLINDER TURNBUCKLE		01
03	0502040747	32.54 CLEVIS CLAMP		01
04	0503011094	3/8" X 2" BOLT		01
05	0503010025	3/8" SPRING WASHER		01
06	0503010026	3/8" NUT		01
07	0502010993	DETACHABLE COVER		01
08	0502010781	RING SUPPORT		01
09	0503010761	D-1750 SCRAPER RING		01
10	0503010990	GASKET		01
11	0503010949	W2-2000-500 PK RING G.E		01
12	0503011060	8-336 BACK-UP RING		01
13	0503010976	2-336 N 3006-9B O'RING		01
14	0503010042	2-214 N 3006-9B O'RING		01
15	0502010843	1.8" X 3.4" PISTON		01
16	0503010170	PACKING 3120 2750		02
17	0503010948	W4-3346-590 PK RING G.E		01
18	0503010063	1" SELF-ALIGNING NUT		01
19	0503030385	CYLINDER PLUG N-002		02





[www.marchesan.com.br](http://www.marchesan.com.br)



**Technical Publications | Elaboration and Revision**  
ALESSANDRA PATRICIA KAWAHARA CARRILI